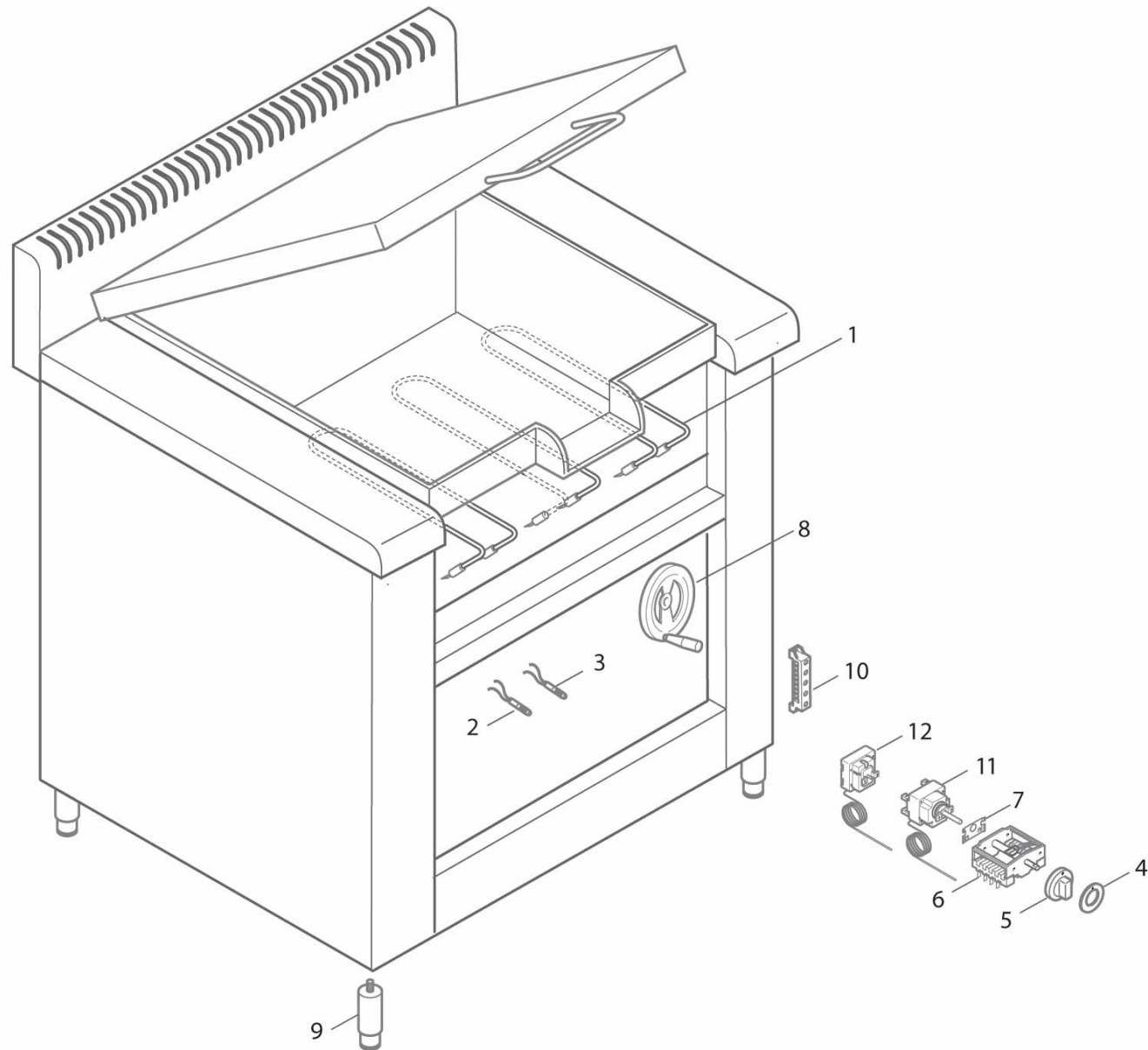




E7BR8/I





E7BR8/I

Pos. Item	Codice Code	Descrizione	Item Description	Designation articles	Artikelbeschreibung	Decripiòn articulos	N° pezzi - No. pieces					
											E7BR8/I	
1	31927000	Res.2755/3000w 230/240v bra. s.700	3000w 240v he. element	RÉsistance 3000w 240v	Widerstand 3000w 240v	Resistencia 3000w 240v						3
2	30168500	Spia arancio 230v d.10mmt150Ø	Orange lamp 230v	Temoïn lumineux orange 230v	Orange kontrollampe 230v	Piloto naranja 230v						1
3	30168800	Spia verde 230v d.10mmt150Ø	Green lamp 230v	Temoïn lumineux vert 230v	Grüne kontrollampe 230v	Piloto verde 230v						1
4	31953500	Serig.rossa manop.frytop/forno	Knob serigraphy	Serigraphie manette	Drehknopfserigraphie	Serigrafia mando						1
5	35877600	Man. rossa p.6x4,6 a 180° dist.	Red knob p. 6x4,6 a 180°	Manette rouge p.6x4,6 a 180°	Drehknopf p.6x4,6 a 180°	Mando rojo p.6x4,6 a 180°						1
5	38877500	Manopola p.6x4.6 a'0° distanziale	Knob pa66 p.6x4.6 a'0°	Manette pa66 p.6x4.6 a'0°	Drehknopf pa66 p.6x4.6 a'0°	Mando pa66 p.6x4.6 a'0°						1
6	22050300	Interr. quadrip. fry-top/700;	Switch	Interrupteur	Schalter	Interruptor						1
7	22699200	St. per termostato commutatore	Bracket for connection	Étrier de raccordement	BÜgel für anschluss	Patilla por termostato						1
8	31995000	Vol. tre razze e/g7br8(i) s.700	Han. e/g7br8(i) s.700	Man. e/g7br8(i) s.700	Ku. e/g7br8(i) s.700	So. de conexiÓN e/g7br8(i) s.700						1
9	24684200	Piedino inox 1 1/2 h-125/175	Foot 1 1/2 h-125/175	Pied 1 1/2 h-125/175	Fuss 1 1/2 h-125/175	Pata 1 1/2 h-125/175						4
10	30184200	Morsettiera a 6 poli fv 122 b (lau 10)	Terminal board 6 poles	Bornier 6 poles	Klemmenleiste	Bornera 6 polos						1
11	30064900	Termostato trif.270Ø x fe 2/1	Thermostat 270Ø - fe 2/1	Thermostat 270Ø - fe 2/1	Thermostat 270Ø - fe 2/1	Termostato 270Ø - fe 2/1						1
12	22069700	Termostato trif.sicur.fry-top	Security thermostat	Thermostat de surete	Sicherheitthermostat	Termostato de seguridad						1