



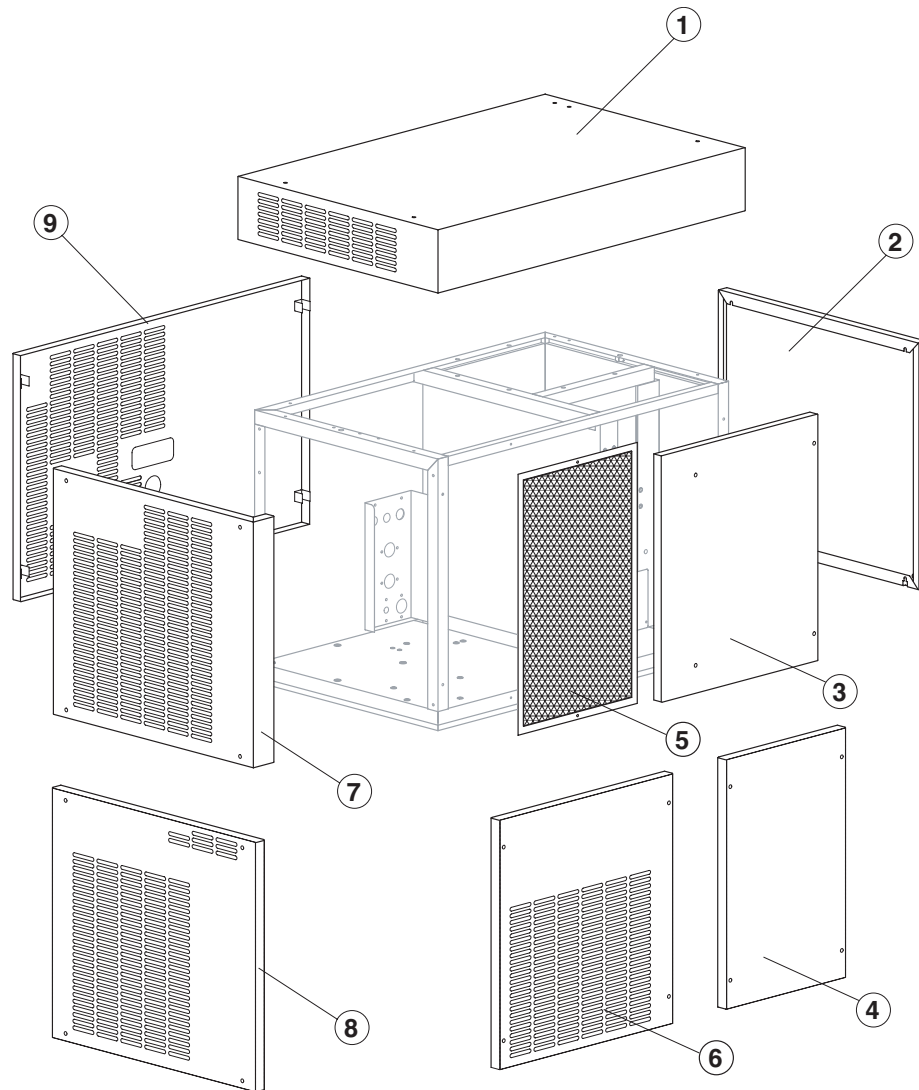
SHELL ASSY

COOLING SYSTEM

EVAPORATOR

PUMP

ELECTRIC PARTS



Rev. 9 - 12/03/2019

Common Parts

Ref.	Spare Description	Code
1	Top Assembly	C22422
2	Right Side Panel	22425
9	Rear Panel	22427

Parts for Air-Cooled Version Only

Ref.	Spare Description	Code
3	Front Panel(Evaporator Side)	221031
5*	Filter	18200
7	Left Side Panel	221032

Parts for Water-Cooled Version Only

Ref.	Spare Description	Code
4	Front Panel (Evaporator Side)	22424
6	Front Panel (Group Side)	C22423
8	Left Side Panel	22426



Common Parts

Ref.	Spare Description	Code
1	Expansion Valve	20734
2	Orifice	Current Version 20943
2	Orifice	Till s/n. 471184 20797
5*	Solid Core Drier	14084
6	Compressor	See Table
10*	Hot Gas Valve Body	20409
11*	Hot Gas Valve Coil	231294

Parts for Air-Cooled Version Only

Ref.	Spare Description	Code
3	Sucking Fan	20153
4	Air Condenser	20406

Parts for Water-Cooled Version Only

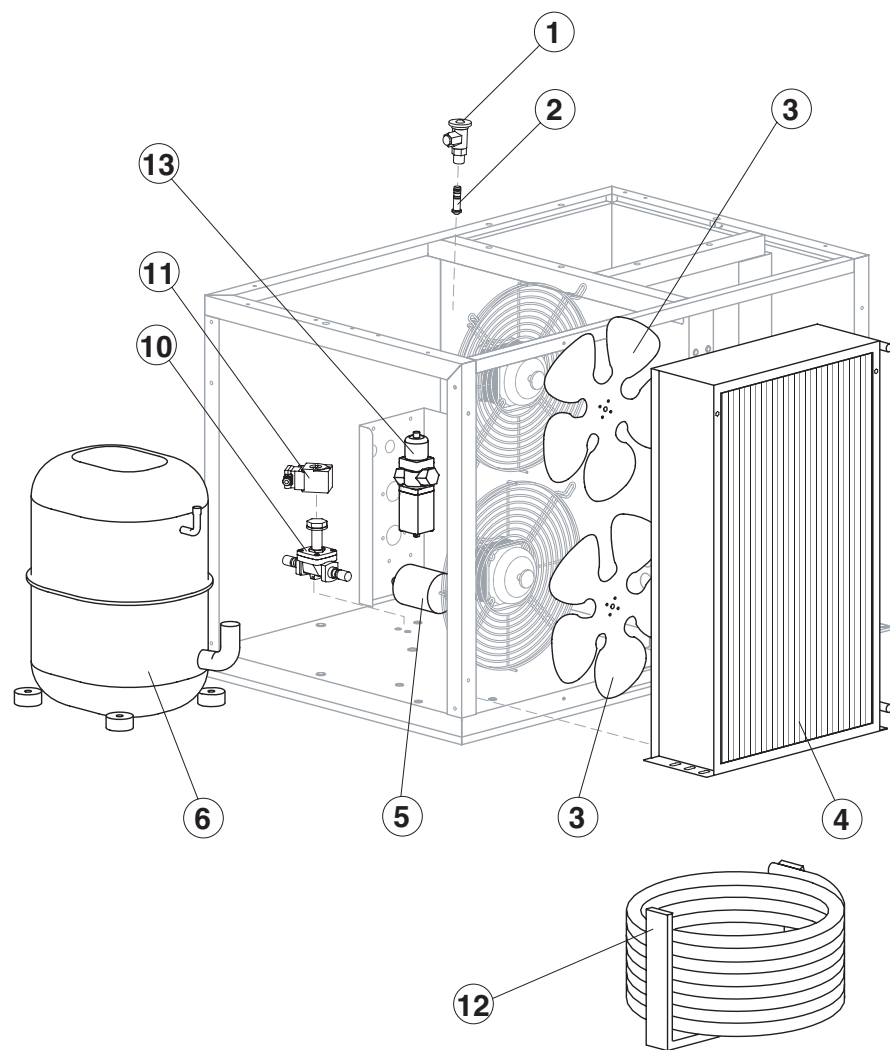
Ref.	Spare Description	Code
12	Water Condenser	14617
13	Pressostatic Valve	20149

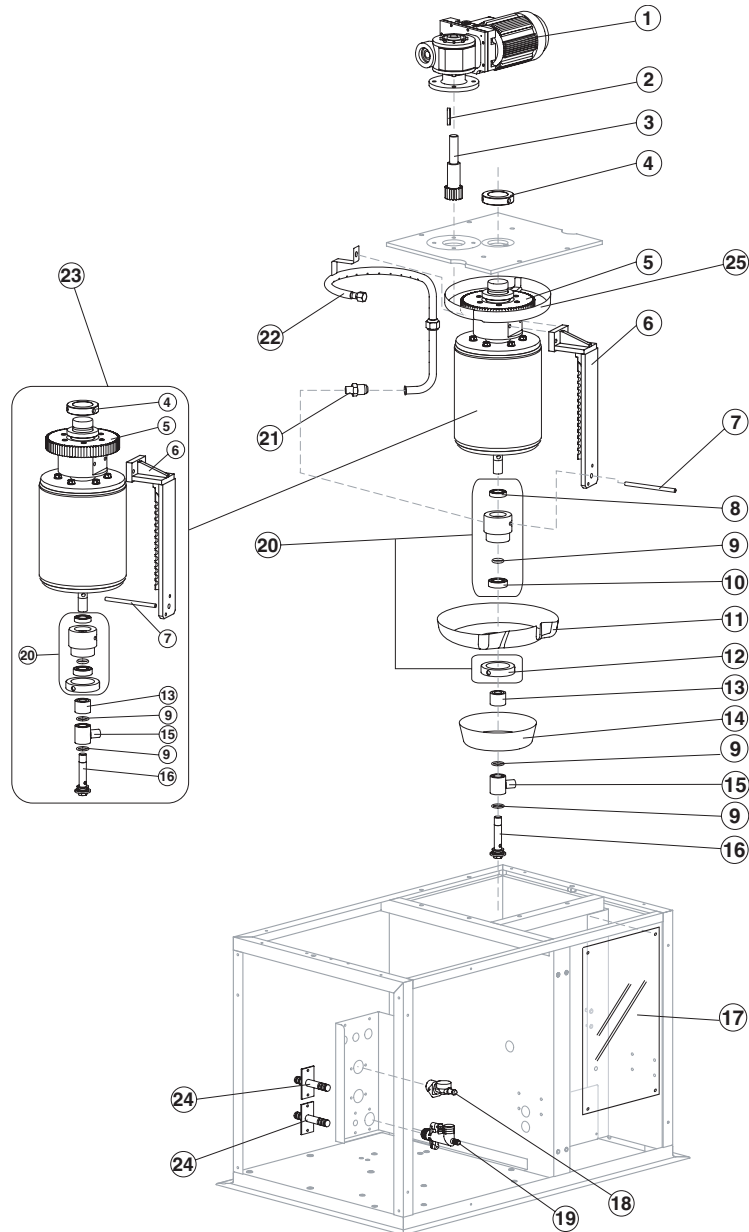
Ref. 6 - Compressor

Voltage	Code	Code	Code
	Current Version	from s/n. 785151 till....	till s/n. 785150
400V 3~ 50/60Hz	231369	R231183% till s/n. 951266	23583
220-230V 3~ 60Hz	231383	R231185 till s/n. 951266	23618

% if the model is air-cooled add suffix A, if it is water-cooled add suffix B

Rev. 9 - 12/03/2019



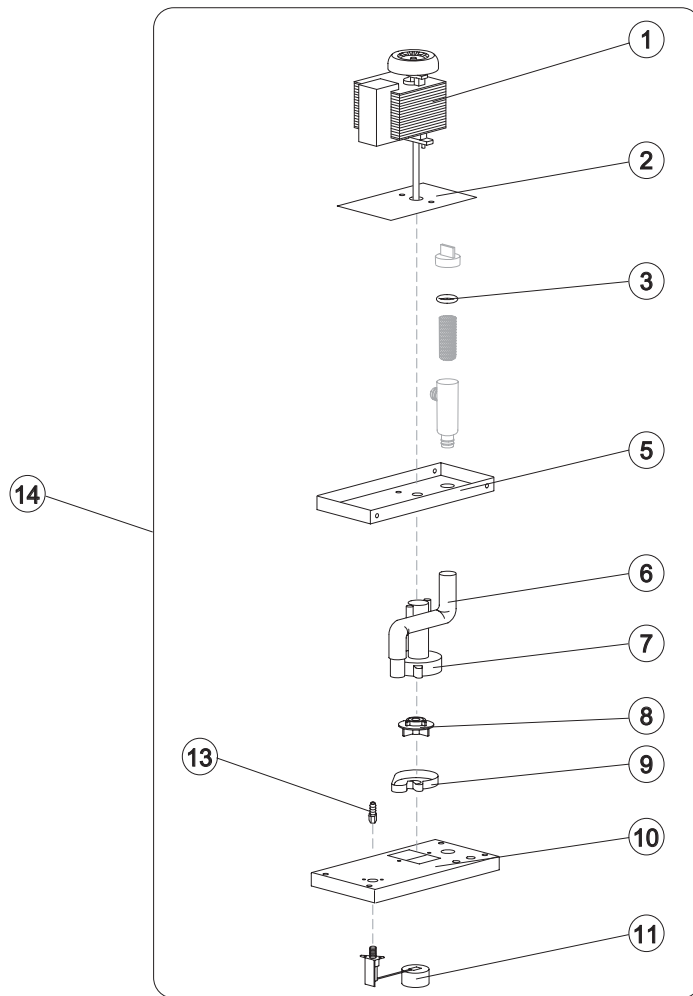


Common Parts

Ref.	Spare Description	Code	
1	Gearmotor Assy	C23412	
2	Key 6x6x40	20350	
3	Pinion with Shaft for Gearmotor	C20344	
4	Cylinder Locking Ring Nut	20324	
5	Ring Gear	20354	
6	Scraper	20866	
7	Tie Rod (to Block Scraper)	20865	
8	Stainless Steel Bearing	20531	
9	Silicone OR 4081 Gasket	20338	
10	Stainless Steel Bearing	20045	
11	Rotating Basin	10184	
12	Ring Nut for Rotating Ring	10182	
13	Spacer	10519	
14	Fixed Basin	C10598	
15	Water Inlet Ring	20851	
16	Screw	20849	
17	Evaporator Chamber Shield	10522	
18	1 Way- Water Inlet Nipple	10239	
19	Discharges Manifold	10580	
20	Complete Rotating Ring	C10180	
21	Joint	20335	
22	Sprayer Ring	C20867	
23	Evaporator	C11149	
25	Ring Gear Cover	From s/n. 555325	C10629

Parts for Water-Cooled Version Only

Ref.	Spare Description	Code
24	Connection with Plate	C20462



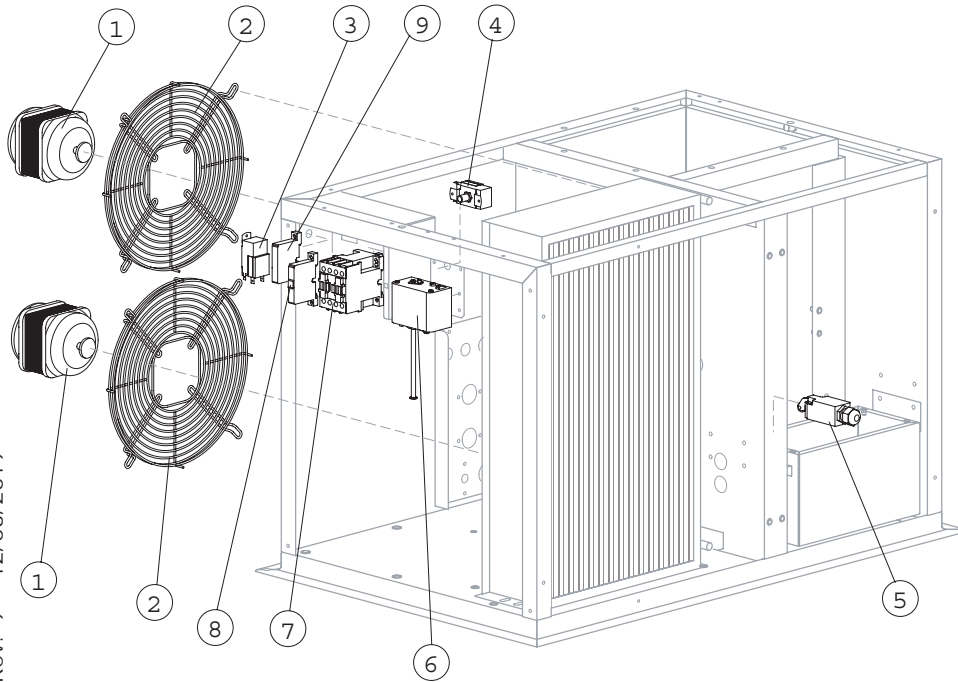
Ref.	Spare Description	Code
1	Pump Motor	See Table
2	Heat Dissipator	22430
3	Pump Filter Gasket	13080
5	Pump Motor Support	10161
6	Pump-Filter Connection Pipe	13084
7	Pump Body	10065
8	Pump Impeller	10190
9	Diffusor	10067
10	Water Pump Basin Cover	22420
11*	Floating Valve	10188
13	Connection	20799
14*	Pump and Filter Assy	See Table

Ref. 1 - Pump Motor

Voltage	Code
400-415V 3~ 50Hz	R23073
220-230V 3~ 60Hz	23187
440-460V 3~ 60Hz	23187

Ref. 14* - Pump and Filter Assy

Voltage	Code
400-415V 3~ 50Hz	C26736
220-230V 3~ 60Hz	C26737
440-460V 3~ 60Hz	C26737



Common Parts

Ref.	Spare Description	Code
3*	Bin Thermostat	R23005
4	Safety Pressure Switch (Maximum Pressure)	23342
5	Microswitch for Overflow Ice	23746
6	Pressure Switch (Minimum Pressure)	23763
7*	Contactor	See Table
8	Thermomagnetic circuit breaker	23910
9	Electronic Delay Timer	From s/n. 515699 231033

Parts for Air-Cooled Version Only

Ref.	Spare Description	Code
1*	Fan Motor	23121
2	Fan Motor Grid	12054

Ref. 7* - Contactor

Voltage	Code
400-415V 3~ 50Hz	23147
220-230V 3~ 60Hz	23963
440-460V 3~ 60Hz	23147

Rev. 9 - 12/03/2019