



**CB 184**

# LIST OF THE EXPLODED VIEWS



*SHELL - ABS*

*SHELL - STAINLESS STEEL*

*COOLING SYSTEM*

*HYDRAULIC CIRCUIT*

*SPRAYER PUMP*

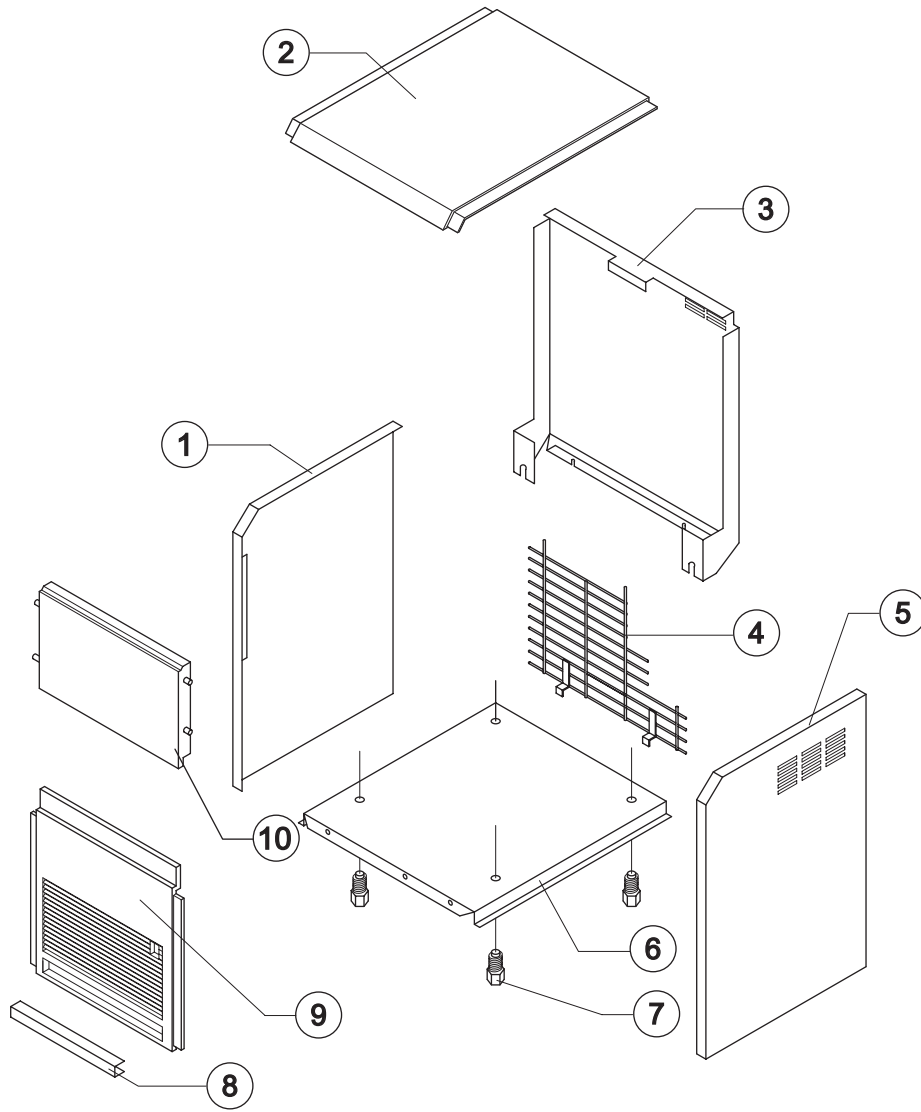
*ELECTRIC PARTS*

Rev. 7 - 17/07/2007



# CB 184

## SHELL - ABS



### Panels - Blue Version

| Ref. | Spare Description | Code  |
|------|-------------------|-------|
| 1    | Left Side Panel   | 10061 |
| 2    | Top               | 10062 |
| 5    | Right Side Panel  | 10060 |
| 8    | Screws Cover      | 10069 |
| 9    | Front Grid Panel  | 10063 |
| 10   | Door              | 10081 |

### Panels - Grey Version

| Ref. | Spare Description | Code  |
|------|-------------------|-------|
| 1    | Left Side Panel   | 10105 |
| 2    | Top               | 10102 |
| 5    | Right Side Panel  | 10099 |
| 8    | Screws Cover      | 10098 |
| 9    | Front Grid Panel  | 10101 |
| 10   | Door              | 10103 |

### Common Finishes

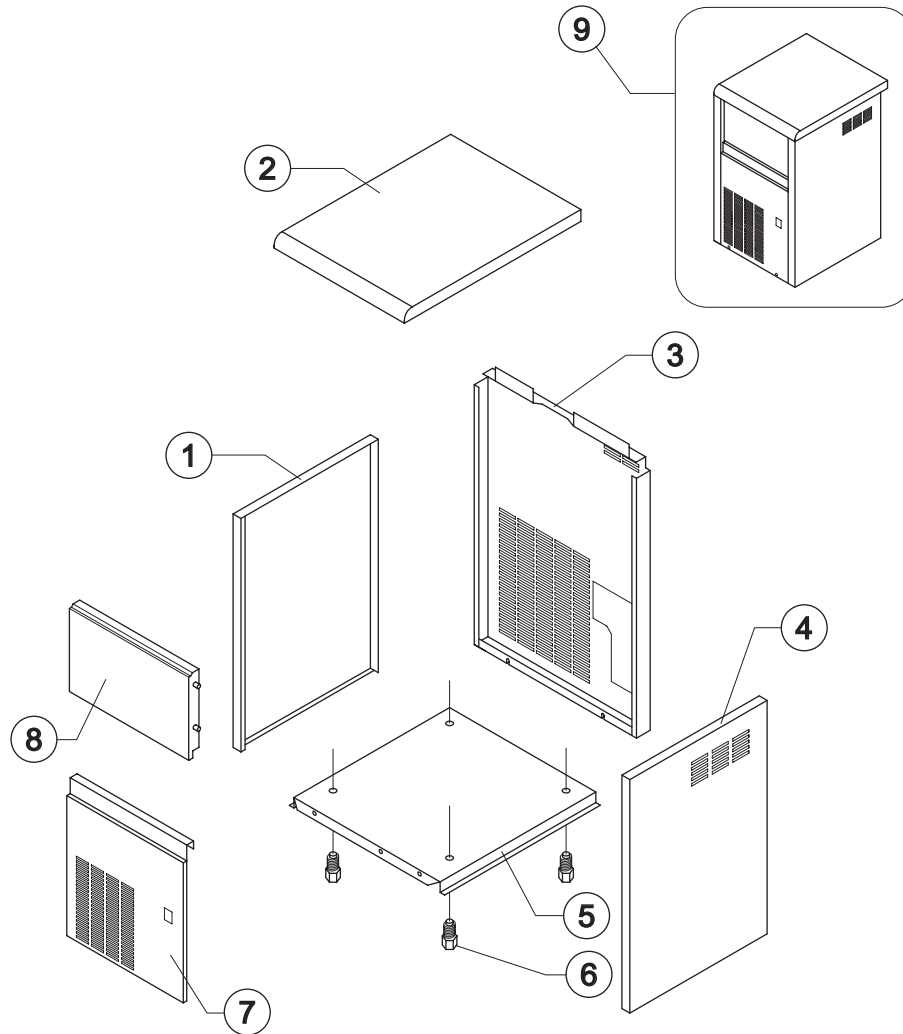
| Ref. | Spare Description | Code   |
|------|-------------------|--------|
| 3    | Rear Panel        | 21064  |
| 4    | Rear Grid         | D12028 |
| 6    | Base Plate        | 21062  |
| 7    | Foot              | 10017  |

Rev. 7 - 17/07/2007



# CB 184

# SHELL - STAINLESS STEEL



## Version With Modular Panels

| Ref. | Spare Description | Code   |
|------|-------------------|--------|
| 1    | Left Side Panel   | 22713  |
| 2    | Top               | C22714 |
| 3    | Rear Panel        | 21235  |
| 4    | Right Side Panel  | 22712  |
| 7    | Front Grid Panel  | 22700  |

## Version With Single Shell

| Ref. | Spare Description | Code  |
|------|-------------------|-------|
| 3    | Rear Panel        | 21194 |
| 9    | Single Shell      | 22505 |



The above version has been used till the s/n 102225. It has been then replaced by the version with modular panels.

## Common Finishes

| Ref. | Spare Description | Code  |
|------|-------------------|-------|
| 5    | Base Plate        | 21062 |
| 6    | Foot              | 10017 |
| 8    | Dark Grey Door    | 10277 |



# CB 184

# COOLING SYSTEM

### Common Parts

| Ref. | Spare Description          | Code                   |
|------|----------------------------|------------------------|
| 1    | Evaporator Cover Panel     | Current Version 10498  |
| 1    | Evaporator Cover Panel     | Till s/n. 230066 10076 |
| 2    | Evaporator                 | D10079                 |
| 3    | Compressor                 | See Table -            |
| 4    | Molecular Drier            | 14009                  |
| 7    | Vacuum-Charge Valve Body   | 14007                  |
| 8    | Vacuum-Charge Valve Device | 14005                  |
| 9    | Vacuum-Charge Valve Plug   | 14006                  |
| 11   | Bin Support Saddle         | 22095                  |
| 12   | Hot Gas Valve Coil         | See Table -            |
| 13   | Hot Gas Valve Body         | Current Version 20853  |
| 13   | Hot Gas Valve Body         | Till s/n. 370994 20410 |

### Parts for Air-Cooled Version Only

| Ref. | Spare Description | Code  |
|------|-------------------|-------|
| 5    | Air Condenser     | 20094 |
| 10   | Sucking Fan       | 20095 |

### Parts for Water-Cooled Version Only

| Ref. | Spare Description | Code                   |
|------|-------------------|------------------------|
| 6    | Water Condenser   | Current Version 14593  |
| 6    | Water Condenser   | Till s/n. 370994 14348 |
| 10   | Sucking Fan       | Till s/n. 370994 10213 |

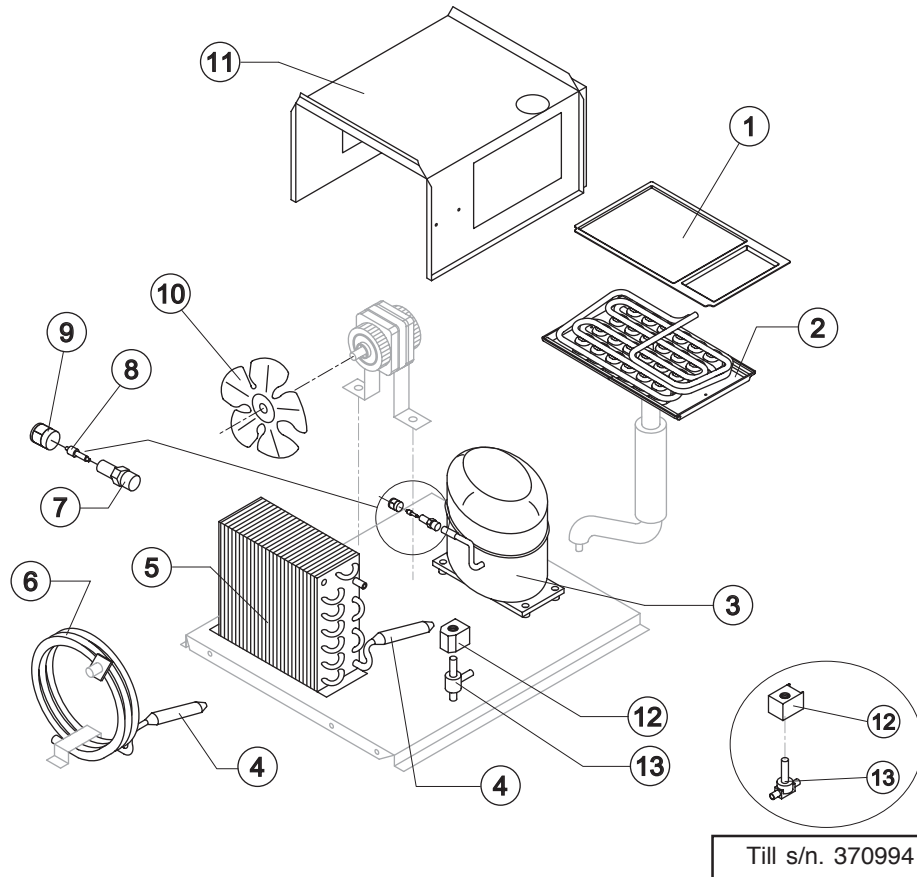
### Ref. 3 - Compressor

| Tension        | Code   |
|----------------|--------|
| 220/240V 50 Hz | 23436A |
| 220/230V 60 Hz | 23494  |
| 110/115V 60 Hz | 23446  |

### Ref. 12 - Hot Gas Valve Coil

| Tension        | Code            | Code             |
|----------------|-----------------|------------------|
|                | Current Version | Till s/n. 370994 |
| 220/240V 50 Hz | 23854           | 23091            |
| 220/230V 60 Hz | 23854           | 23091            |
| 110/115V 60 Hz | 23855           | 23256            |

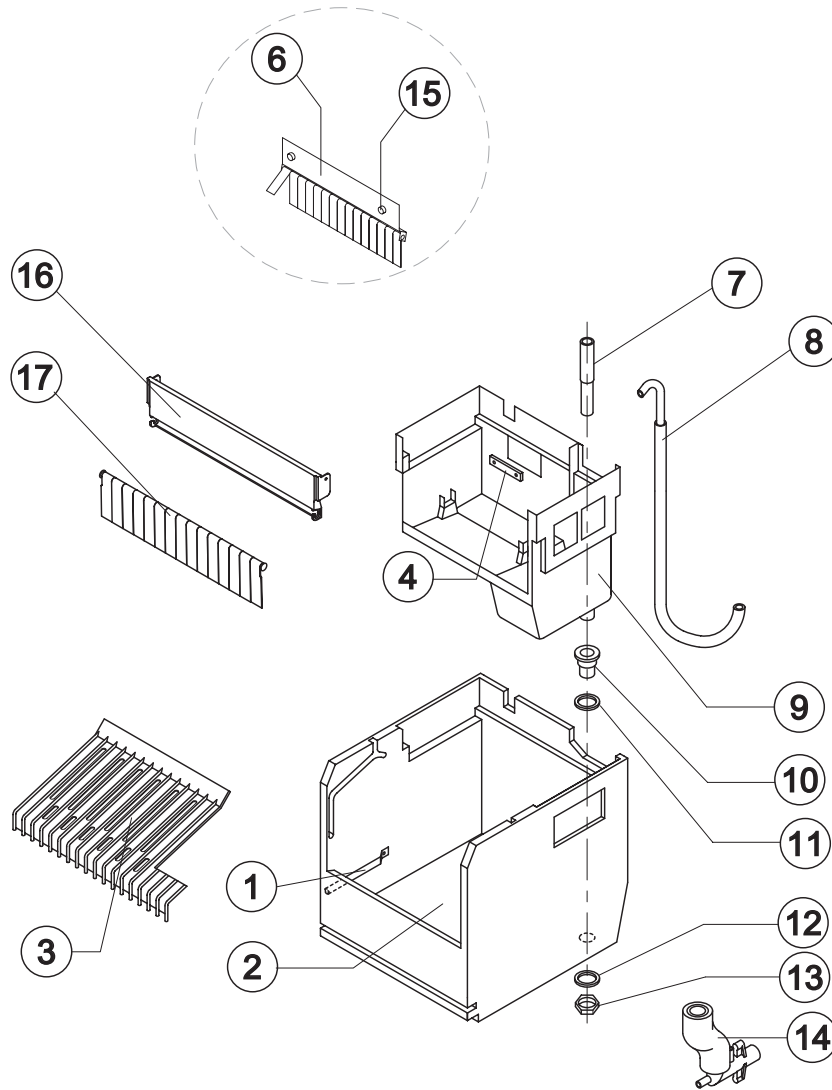
Rev. 7 - 17/07/2007





# CB 184

# HYDRAULIC CIRCUIT



### Common Parts

| Ref. | Spare Description             | Code                       |
|------|-------------------------------|----------------------------|
| 1    | Bulbe- holder pipe            | 20520                      |
| 2    | Foamed Bin                    | 11016/E                    |
| 3    | Ice Cubes Slide               | 10136                      |
| 4    | Slide Keep Plate              | 10142                      |
| 6    | Panel with Flags              | Till s/n. 380376<br>C22106 |
| 7    | Overflow Pipe                 | 13028                      |
| 8    | Evaporator Feeding Pipe Assy  | C20535                     |
| 9    | Inner Basin                   | 10064                      |
| 10   | Water Outlet Nipple           | 10472                      |
| 11   | Silicone Gasket               | 13006                      |
| 12   | Semirigid Polyethylene Gasket | 13007                      |
| 13   | Bin Discharge Nut             | 10096                      |
| 15   | Fixing Screw                  | Till s/n. 380376<br>20009  |
| 16   | Flags ABS Support             | Current Version<br>10530   |
| 17   | Flags with Rod                | Current Version<br>C10532  |

### Parts for Air-Cooled Version Only

| Ref. | Spare Description   | Code   |
|------|---------------------|--------|
| 14   | Discharges Manifold | C10006 |

### Parts for Water-Cooled Version Only

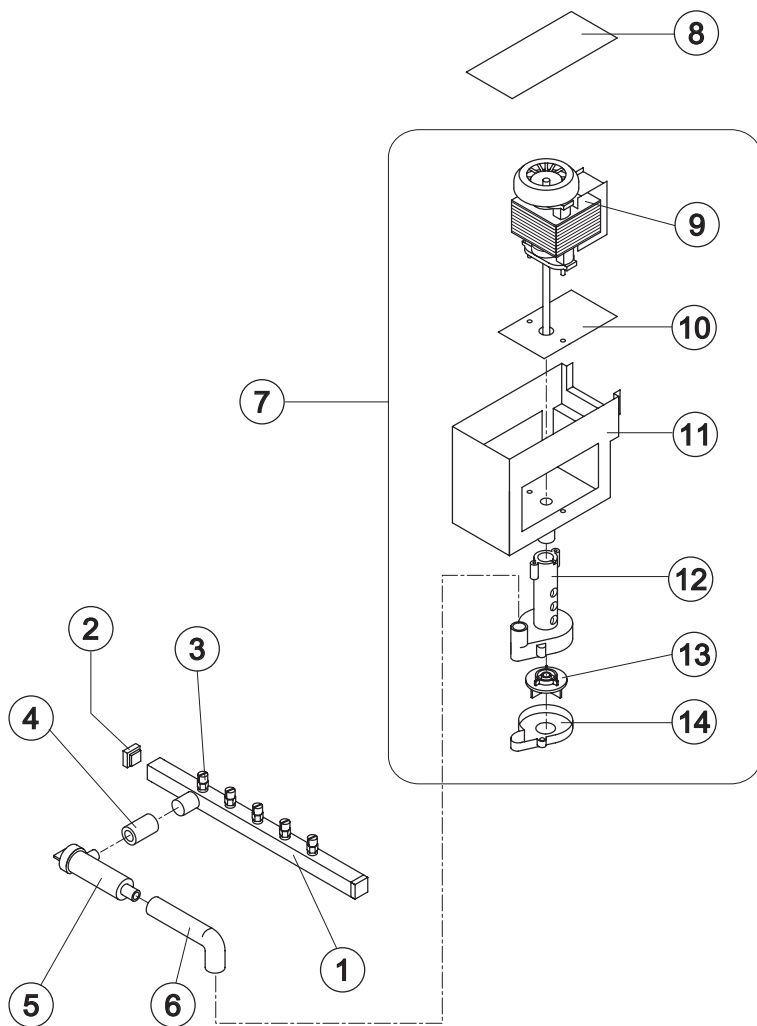
| Ref. | Spare Description   | Code   |
|------|---------------------|--------|
| 14   | Discharges Manifold | C26452 |

Rev. 7 - 17/07/2007



# CB 184

# SPRAYER PUMP



| Ref. | Spare Description                   | Code             |       |
|------|-------------------------------------|------------------|-------|
| 1    | Sprayers Bar Assembly               | C20147           |       |
| 2    | Sprayers Bar Plug                   | 10012            |       |
| 3    | Sprayers                            | D20002           |       |
| 4    | Filter-Sprayers Bar Connection Pipe | 13056            |       |
| 5    | Pump Filter                         | 10139            |       |
| 6    | Pump-Filter Connection Pipe         | 13055            |       |
| 7    | Pump Assy                           | See Table        | -     |
| 8    | Pump Cover                          | Till s/n. 230066 | 22096 |
| 9    | Pump Motor                          | See Table        | -     |
| 10   | Heat Dissipator                     |                  | 22430 |
| 11   | Pump Motor Box                      |                  | 10073 |
| 12   | Pump Body                           |                  | 10065 |
| 13   | Pump Impeller                       |                  | 10066 |
| 14   | Diffusor                            |                  | 10067 |

### Ref. 7 - Pump Assy

| Tension        | Code   |
|----------------|--------|
| 220/240V 50 Hz | C23076 |
| 220/230V 60 Hz | C23270 |
| 110/115V 60 Hz | C23271 |

### Ref. 9 - Pump Motor

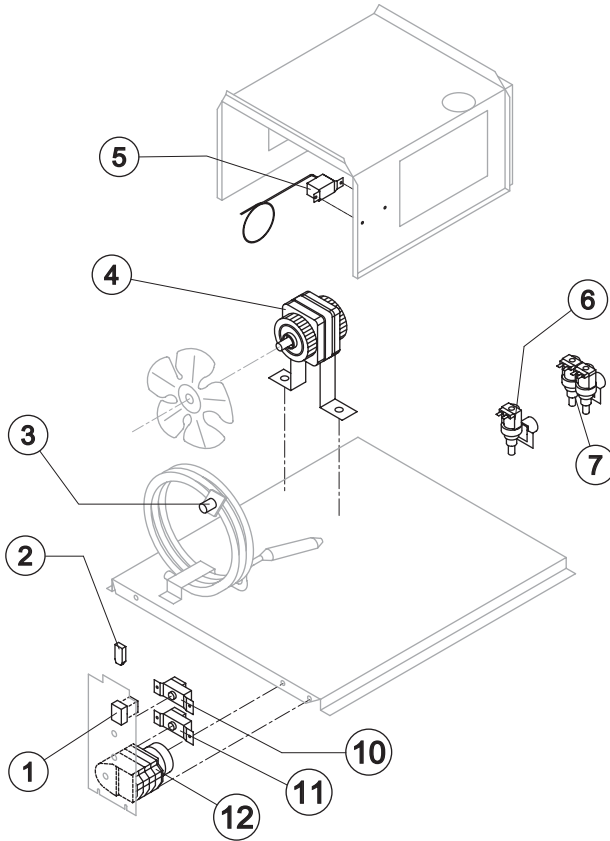
| Tension        | Code  |
|----------------|-------|
| 220/240V 50 Hz | 23073 |
| 220/230V 60 Hz | 23187 |
| 110/115V 60 Hz | 23188 |

Rev. 7 - 17/07/2007



# CB 184

# ELECTRIC PARTS



### Common Parts

| Ref. | Spare Description           | Code        |
|------|-----------------------------|-------------|
| 1    | Green Light Switch (On-Off) | 23078       |
| 10   | Bin Thermostat              | R23005      |
| 11   | Evaporator Thermostat       | R23591      |
| 12   | Timer                       | See Table - |

### Parts for Air-Cooled Version Only

| Ref. | Spare Description        | Code        |
|------|--------------------------|-------------|
| 4    | Fan Motor                | See Table - |
| 6    | 1 Way- Water Inlet Valve | See Table - |

### Parts for Water-Cooled Version Only

| Ref. | Spare Description              | Code                       |
|------|--------------------------------|----------------------------|
| 2    | Anti Radio Interference Filter | Only 220V 50 Hz C23457     |
| 3    | Safety Thermostat              | C23114                     |
| 4    | Fan Motor                      | Till s/n. 370994 See Table |
| 5    | Condenser Pressure Switch      | 23175                      |
| 7    | 2 Ways- Water Inlet Valve      | See Table -                |

Rev. 7 - 17/07/2007

#### Ref. 4 - Fan Motor

| Tension        | Code  |
|----------------|-------|
| 220/240V 50 Hz | 23029 |
| 220/230V 60 Hz | 23029 |
| 110/115V 60 Hz | 23683 |

#### Ref.6 - 1 Way-Water Inlet Valve

| Tension        | Code  |
|----------------|-------|
| 220/240V 50 Hz | 23497 |
| 220/230V 60 Hz | 23497 |
| 110/115V 60 Hz | 23499 |

#### Ref. 7 - 2 Ways-Water Inlet Valve

| Tension        | Code  |
|----------------|-------|
| 220/240V 50 Hz | 23498 |
| 220/230V 60 Hz | 23498 |
| 110/115V 60 Hz | 23500 |

#### Ref. 12 - Timer

| Tension        | Code  |
|----------------|-------|
| 220/240V 50 Hz | 23247 |
| 220/230V 60 Hz | 23247 |
| 110/115V 60 Hz | 23258 |