



**G 150**

# LIST OF THE EXPLODED VIEWS



*SHELL ASSY*

*COOLING SYSTEM*

*EVAPORATOR*

*HYDRAULIC CIRCUIT*

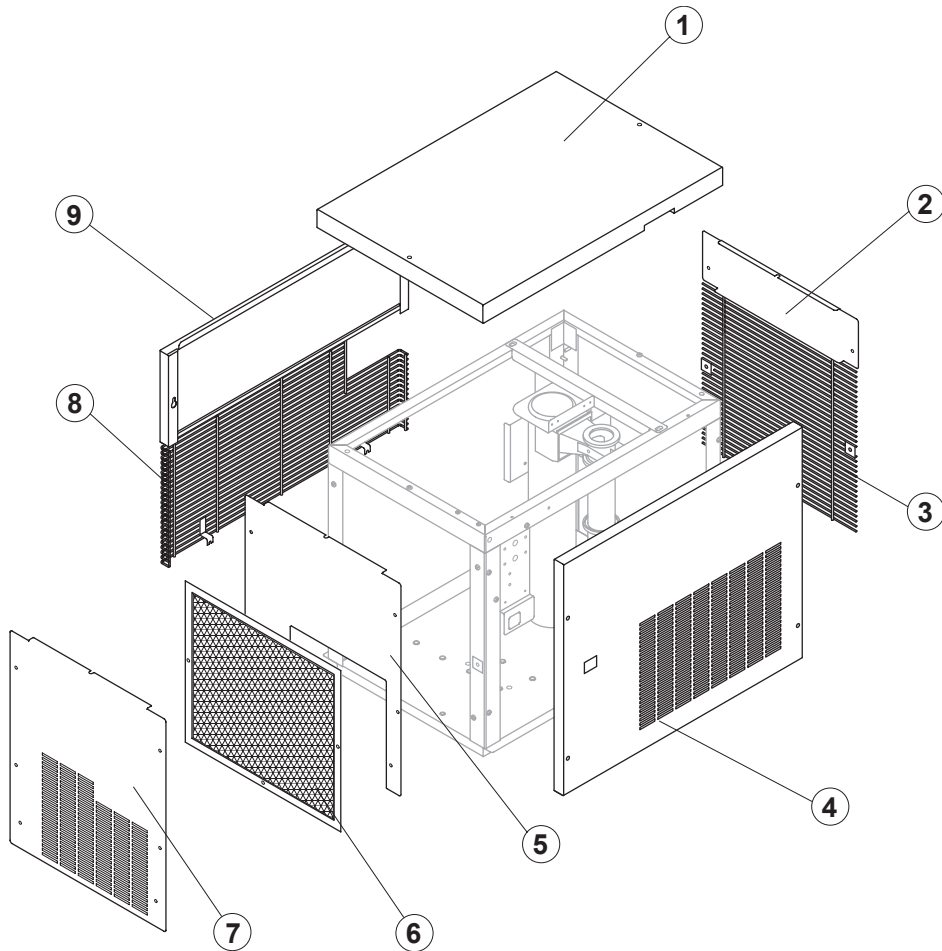
*ELECTRIC PARTS*

Rev. 01 - 17/07/2009



# G 150

## SHELL ASSY



### Common Parts

| Ref. | Spare Description    | Code     |
|------|----------------------|----------|
| 1    | Top                  | 221122   |
| 2    | Right Side Panel     | 221124   |
| 3    | Side Grill           | D12061   |
| 4    | Front Panel Assembly | C221125B |
| 8    | Back Grill           | D12060   |
| 9    | Back Panel           | 221126   |

### Parts for Air-Cooled Version Only

| Condensation      | Code   |
|-------------------|--------|
| 5 Left Side Panel | 221123 |
| 6 Filter          | 18163  |

### Parts for Water-Cooled Version Only

| Condensation      | Code   |
|-------------------|--------|
| 7 Left Side Panel | 221135 |



### Common Parts

| Ref. | Spare Description          | Code      |
|------|----------------------------|-----------|
| 1    | Compressor                 | See Table |
| 5    | Molecular Drier            | 14009     |
| 6    | Vacuum-Charge Valve Body   | 14007     |
| 7    | Vacuum-Charge Valve Device | 14005     |
| 8    | Vacuum-Charge Valve Plug   | 14006     |

### Parts for Air-Cooled Version Only

| Ref. | Spare Description | Code  |
|------|-------------------|-------|
| 2    | Sucking Fan       | 20031 |
| 3    | Air Condenser     | 20558 |

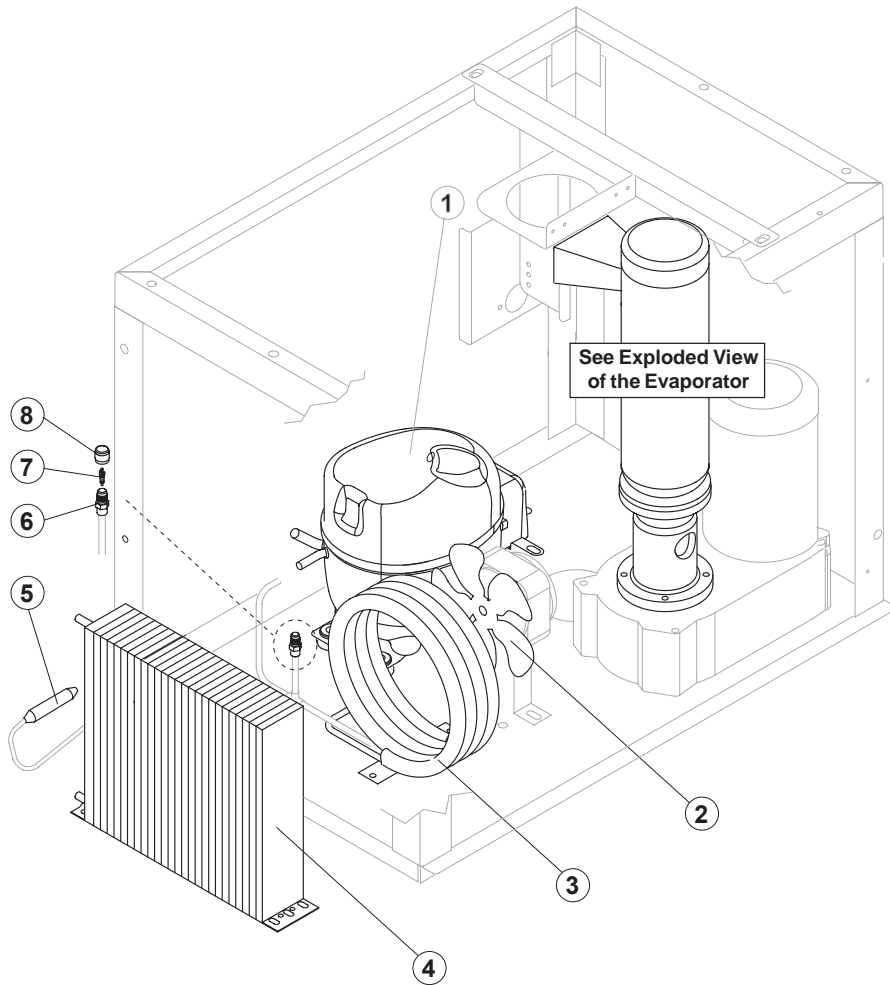
### Parts for Water-Cooled Version Only

| Ref. | Spare Description | Code  |
|------|-------------------|-------|
| 2    | Sucking Fan       | 10213 |
| 4    | Water Condenser   | 14014 |

### Ref. 1 - Compressor

| Tension | Code   |
|---------|--------|
| T11     | 23832  |
| T12     | 23578A |
| T13     | 23679  |
| T19     | 23679  |

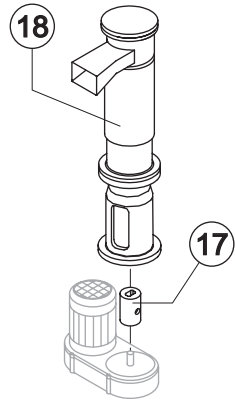
Rev. 01 - 17/07/2009



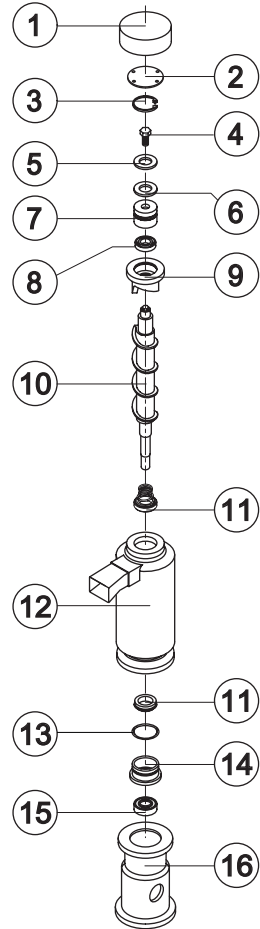


# G 150

# EVAPORATOR



C11152

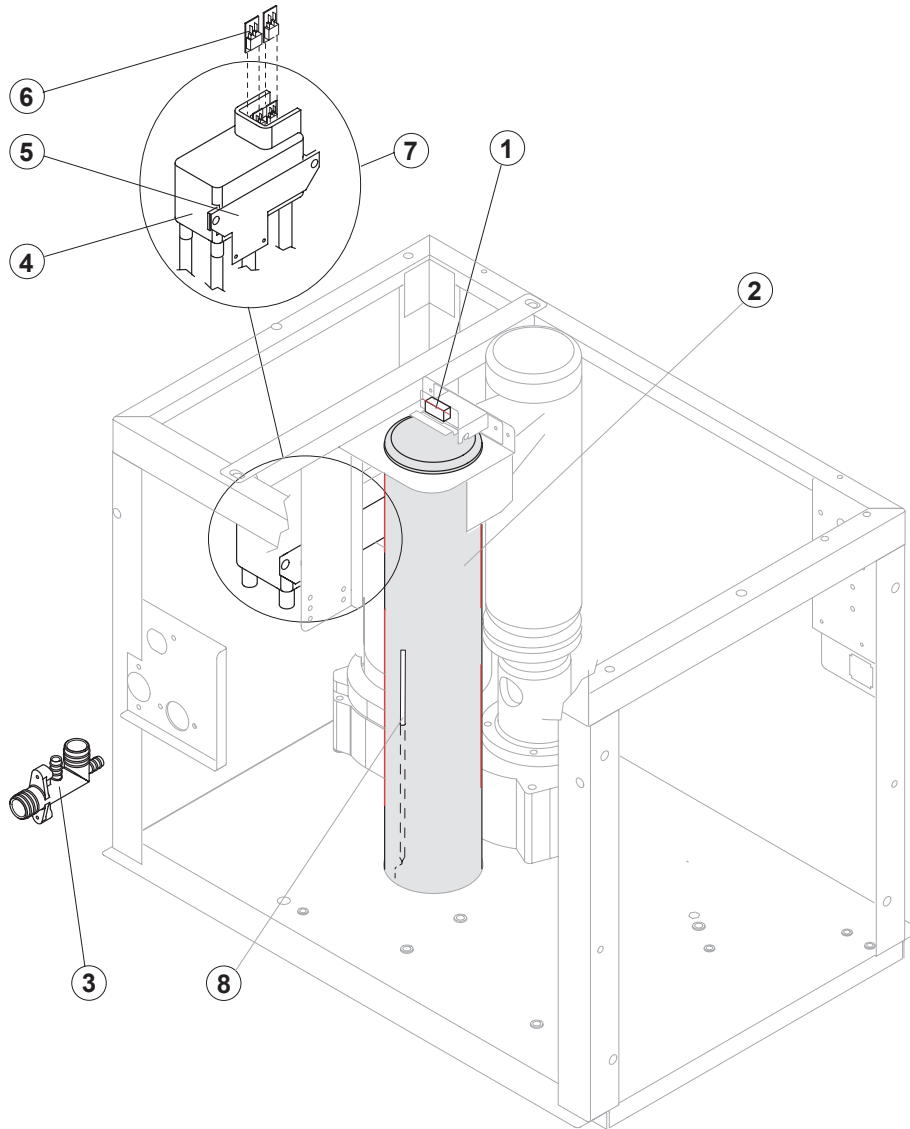


| Ref. | Spare Description (Current Version) | Code   |
|------|-------------------------------------|--------|
| 1    | Insulating Cap                      | 18170  |
| 2    | Closing Disk                        | 22825  |
| 3    | Seeger                              | 20043  |
| 4    | Stainless Steel Screw               | 20663  |
| 5    | Shimming Disk                       | 22826  |
| 6    | Self-Lubricating Disk               | 20631  |
| 7    | Stainless Steel Thrust Bearing      | 20686  |
| 8    | OR Gasket 3087                      | 20688  |
| 9    | Ice Breaker                         | 20626  |
| 10   | Auger                               | 20783  |
| 11   | Ceramic Seal                        | 20937  |
| 12   | Insulated Evaporator                | C11107 |
| 13   | OR Gasket 3162 NBR70                | 20429  |
| 14   | Reduction Ring                      | 20785  |
| 15   | Stainless Steel Bearing             | 20782  |
| 16   | Flange                              | 20629  |
| 17   | Joint                               | D20784 |
| 18   | Evaporator Assy                     | C11152 |



# G150

## HYDRAULIC CIRCUIT



### Common Parts

| Ref. | Spare Description             | Code   |
|------|-------------------------------|--------|
| 1    | Bin Level Control Microswitch | 23196  |
| 2    | Ice Outlet Pipe Assy          | C10563 |
| 4    | Double Switch Basin           | 10145  |
| 5    | Basin Support Plate           | 21133  |
| 6    | Microswitch                   | 23055  |
| 7    | Double Switch Basin Assembly  | C10548 |
| 8    | Bin bulb holder               | 20621  |

### Parts for Air-Cooled Version Only

| Ref. | Spare Description   | Code   |
|------|---------------------|--------|
| 3    | Discharges Manifold | C10052 |

### Parts for Water-Cooled Version Only

| Ref. | Spare Description   | Code   |
|------|---------------------|--------|
| 3    | Discharges Manifold | C10053 |

Rev. 01 - 17/07/2009



# G 150

## ELECTRIC PARTS

### Common Parts

| Ref. | Spare Description              | Code        |
|------|--------------------------------|-------------|
| 1    | Bin Thermostat                 | R23005      |
| 2    | Condenser Pressure Switch      | See Table - |
| 3    | Green Light Switch (On-Off)    | 23327       |
| 4    | Anti Radio Interference Filter | T11 C23459  |
| 5    | Evaporator Thermostat          | R23034      |
| 6    | Electronic Timer               | 23560       |
| 7    | Relay                          | See Table - |
| 9    | Fan Motor                      | See Table - |
| 10   | Gearmotor                      | See Table - |
| 13   | Anti Radio Interference Filter | T11 C23457  |

### Parts for Air-Cooled Version Only

| Ref. | Spare Description        | Code        |
|------|--------------------------|-------------|
| 12   | 1 Way- Water Inlet Valve | See Table - |

### Parts for Water-Cooled Version Only

| Ref. | Spare Description         | Code        |
|------|---------------------------|-------------|
| 8    | Safety Thermostat         | C23114      |
| 11   | 2 Ways- Water Inlet Valve | See Table - |

#### Ref. 2 - Cond. Pressure Switch

| Tension | Code  |
|---------|-------|
| T11     | 23175 |
| T12     | 23175 |
| T13     | 23175 |
| T19     | 23680 |

#### Ref. 7 - Relay

| Tension | Code  |
|---------|-------|
| T11     | 23190 |
| T12     | 23190 |
| T13     | 23557 |
| T19     | 23557 |

#### Ref. 9- Fan Motor

| Tension | Air   | Water |
|---------|-------|-------|
| T11     | 23067 | 23029 |
| T12     | 23681 | 23029 |
| T13     | 23621 | 23683 |
| T13     | 23621 | 23683 |

#### Ref. 10 - Gearmotor

| Tension | Code  |
|---------|-------|
| T11     | 23532 |
| T12     | 23532 |
| T13     | 23556 |
| T19     | 23556 |

#### Ref. 11 - 2 Ways-Water Inlet

| Tension | Code  |
|---------|-------|
| T11     | 23010 |
| T12     | 23010 |
| T13     | 23261 |
| T19     | 23261 |

#### Ref. 12 - 1 Way-Water Inlet

| Tension | Code  |
|---------|-------|
| T11     | 23115 |
| T12     | 23115 |
| T13     | 23410 |
| T19     | 23410 |

Rev. 01 - 17/07/2009

