



*G 500*

# LIST OF THE EXPLODED VIEWS



*SHELL ASSY*

*COOLING SYSTEM*

*EVAPORATOR*

*HYDRAULIC CIRCUIT*

*ELECTRIC PARTS*

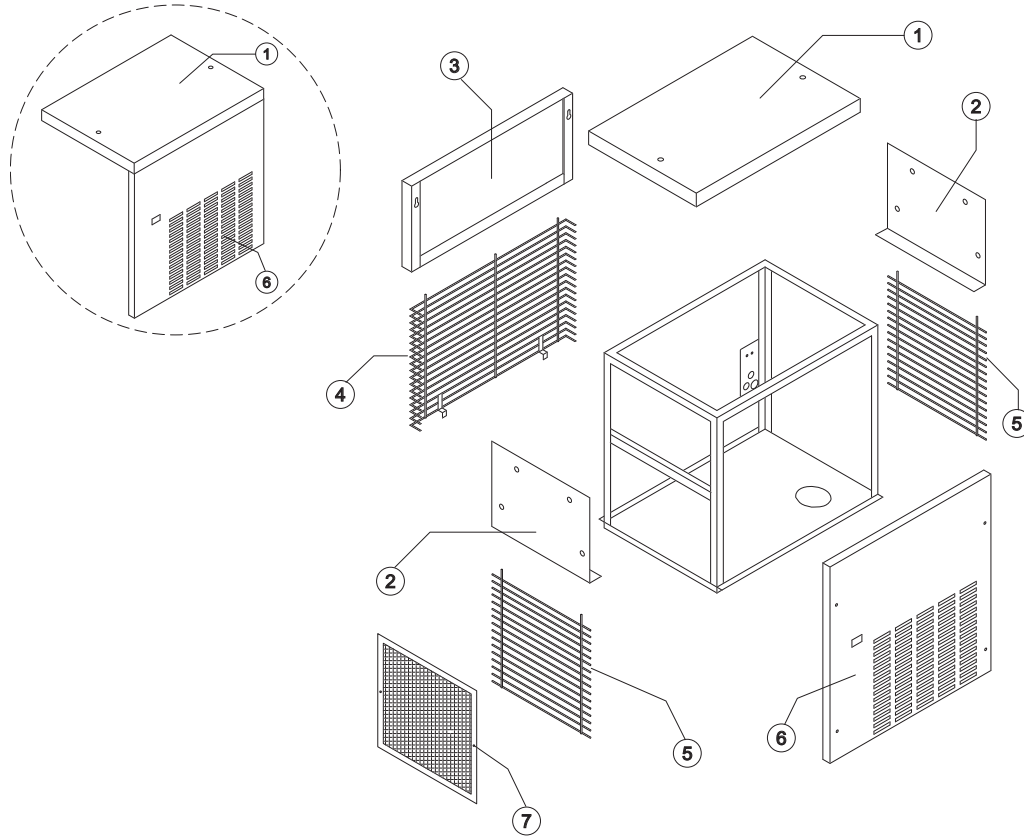
Rev. 10 - 22/06/2011



# G 500

# SHELL ASSY

Till s/n. 449326



### Common Parts

Ref.	Spare Description	Code	
1	Top	Current Version	221122
1	Top	Till s/n. 449326	22667
2	Right/Left Side Panel		22663
3	Rear Panel		22665
4	Rear Grid		D12060
5	Lateral Grid		D12061
6	Front Panel Assembly	Current Version	221138
6	Front Panel Assembly	Till s/n. 449326	22662

### Parts for Air-Cooled Version Only

Ref.	Spare Description	Code
7*	Filter	18163

Rev. 10 - 22/06/2011



# G 500

# COOLING SYSTEM

### Common Parts

Ref.	Spare Description	Code
1	Compressor	See Table
2	Vacuum-Charge Valve Body	14007
3*	Vacuum-Charge Valve Device	14005
4*	Vacuum-Charge Valve Plug	14006
7*	Solid Core Drier	14084

### Parts for Air-Cooled Version Only

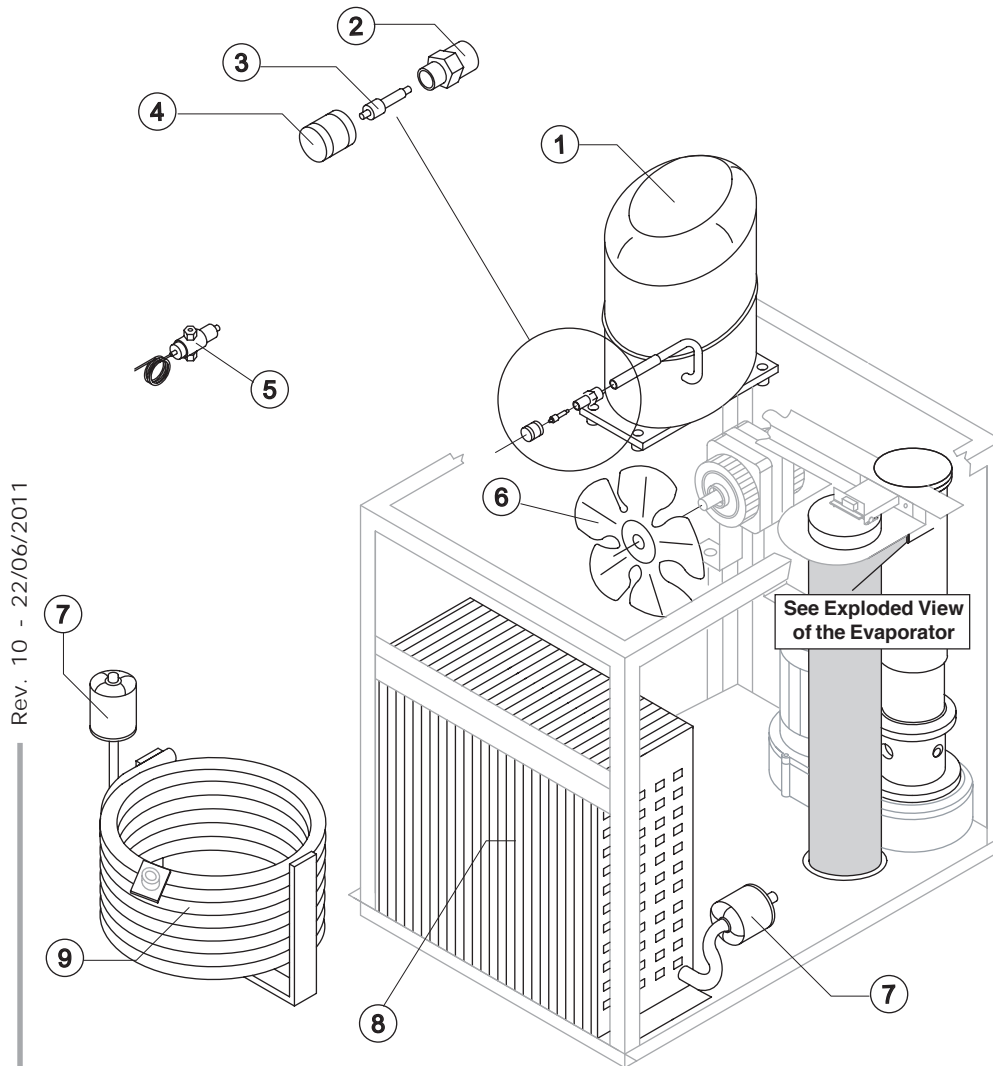
Ref.	Spare Description	Code
6	Sucking Fan	20407
8	Air Condenser	20675

### Parts for Water-Cooled Version Only

Ref.	Spare Description	Code
5	Pressostatic Valve	20210
6	Sucking Fan	10213
9	Water Condenser	14507

### Ref. 1 - Compressor

Voltage	Code
T11	23543
T12	23642
T15	23588
T18	23642

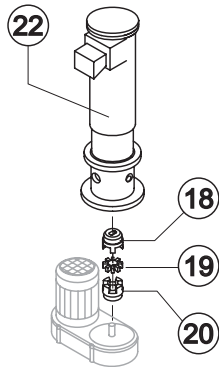


Rev. 10 - 22/06/2011

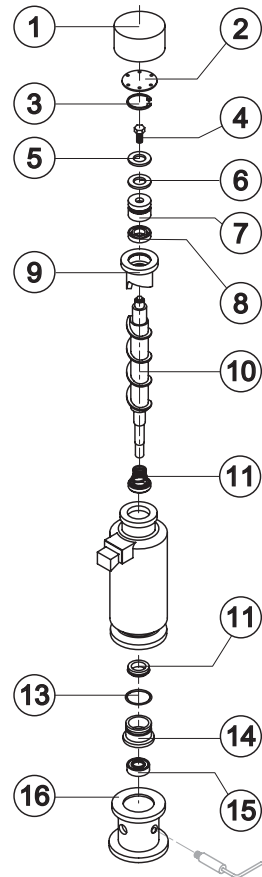


# G 500

# EVAPORATOR



**C11113.**  
**KITNEVG500**  
 till s/n.  
 230442.



For Complete  
 Evaporator, order  
 C11113

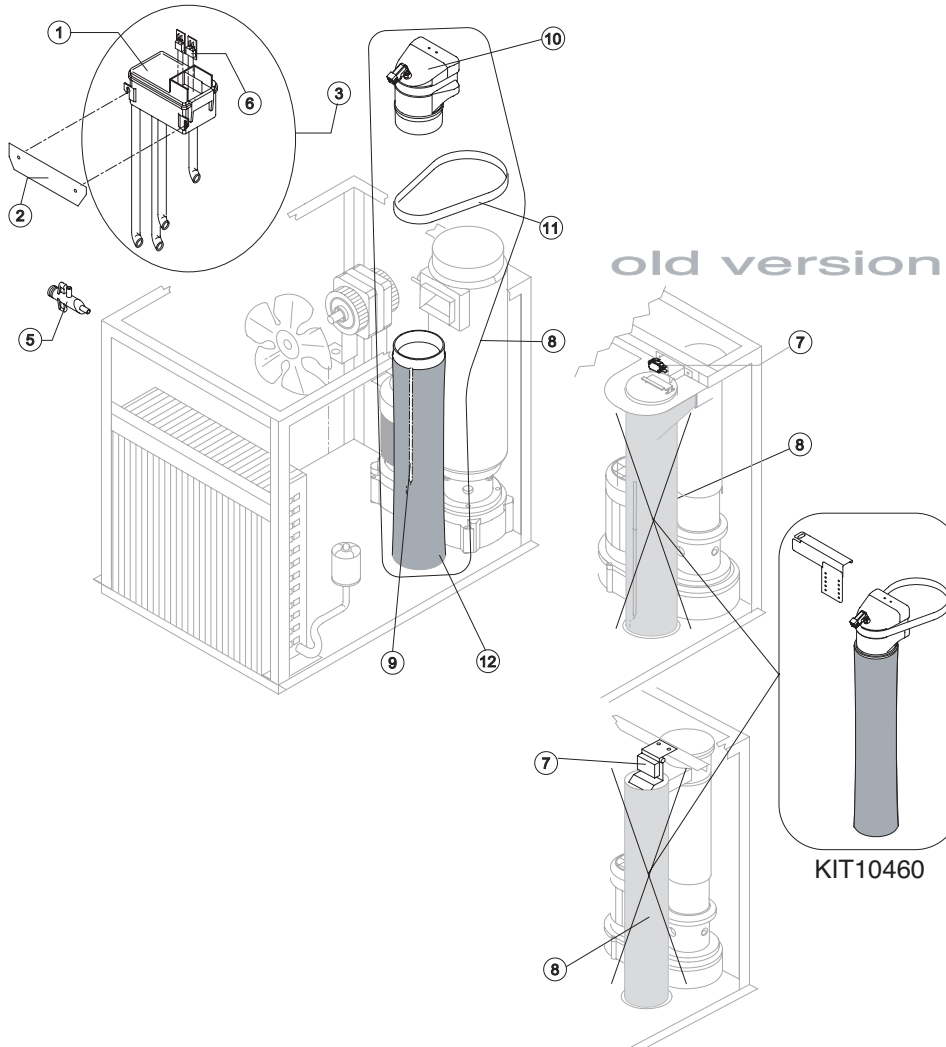
Ref.	Spare Description (from s/n. 219168)	Code
1	Insulating Cap	18165
2	Closing Disk	22670
3	Seeger	20116
4	Stainless Steel Screw	20664
5	Shimming Disk	22829
6	Self-Lubricating Disk	20639
7	Stainless Steel Thrust Bearing	20685
8	OR Gasket 4137	20689
9	Ice Breaker	20781
10	Auger	20780
11	Ceramic Seal	20643
13	OR Gasket 4312 NBR	20205
14	Reduction Ring	20647
15	Stainless Steel Bearing	20113
16	Flange	20644
18	Semi-Joint Upper	D20642
19	Vibration-Damping Elastomer	20494
20	Semi-Joint Lower	D20493
22	Evaporator Assy	Current Version C11113
22	Evaporator Assy	Till s/n. 230442 KITNEVG500

Rev. 10 - 22/06/2011



# G 500

## HYDRAULIC CIRCUIT



For ice makers till s/n. 230442 if you must substitute both ref. 7 and ref. 8 order the KIT10460.

### Common Parts

Ref.	Spare Description	Code
1	Double Switch Basin	10145
2	Basin Support Plate	21133
3*	Double Switch Basin Assembly	C10314
6	Microswitch	23055
7	Bin Level Control Microswitch	From s/n. 230443 till s/n. 497567 23930
7	Bin Level Control Switch	Till s/n. 230442 C22099
8	Complete Ice Outlet Pipe Assy	Current Version C10595
8	Complete Ice Outlet Pipe Assy	Till s/n. 497567 KIT10460
9	Bin bulb holder	20621
10*	Ice Exhaust Assy with Micro	Current Version C10585
11	Locking Exhaust Strip	Current Version 25049
12	Ice Outlet Pipe with Bin bulbo holder	Current Version C10588

### Parts for Air-Cooled Version Only

Ref.	Spare Description	Code
5	Discharges Manifold	10579

### Parts for Water-Cooled Version Only

Ref.	Spare Description	Code
5	Discharges Manifold	C10053



# G 500

# ELECTRIC PARTS

### Common Parts

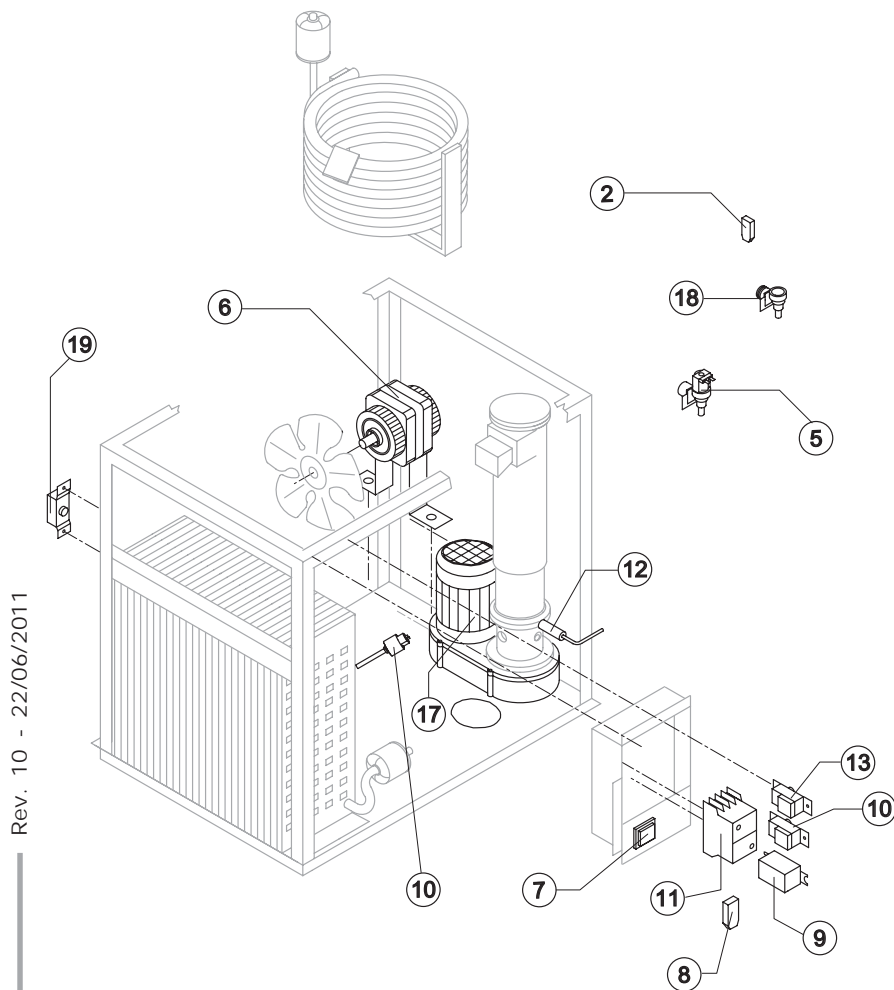
Ref.	Spare Description	Code
2	Anti Radio Interference Filter	C23457
5*	1 Way- Water Inlet Valve	23115
7*	Green Light Switch (On-Off)	23327
10	Low pressure safety switch	Current Version 23909
10	Evaporator Thermostat	Till s/n. 449471 R23034
11*	Contactor	See Table -
12*	Rotation Sensor	R23676
13*	Bin Thermostat	R23421
17	Gearmotor	See Table
19	Safety Pressure Switch	23342

### Parts for Air-Cooled Version Only

Ref.	Spare Description	Code
6*	Fan Motor	23121
8	Anti Radio Interference Filter	C23459
9*	Condenser Pressure Switch	See Table -

### Parts for Water-Cooled Version Only

Ref.	Spare Description	Code
6*	Fan Motor	See Table -
18	1 Way- Water Inlet Nipple	10368



#### Ref. 6\* - Fan motor -

Water cooled version	
Voltage	Code
T11	23029
T12	23029
T15	23029
T18	23682

#### Ref. 9\* - Cond. Pressure Switch

Voltage	Code
T11	23175
T12	23175
T15	23175
T18	23680

#### Ref. 11\* - Contactor

Voltage	Code
T11	23147
T12	23963
T15	23147
T18	23963

#### Ref. 17 - Gearmotor

Voltage	Code
T11	23638
T12	23638
T15	23638
T18	23853

Rev. 10 - 22/06/2011