



GB 1555

LIST OF THE EXPLODED VIEWS



SHELL ASSY

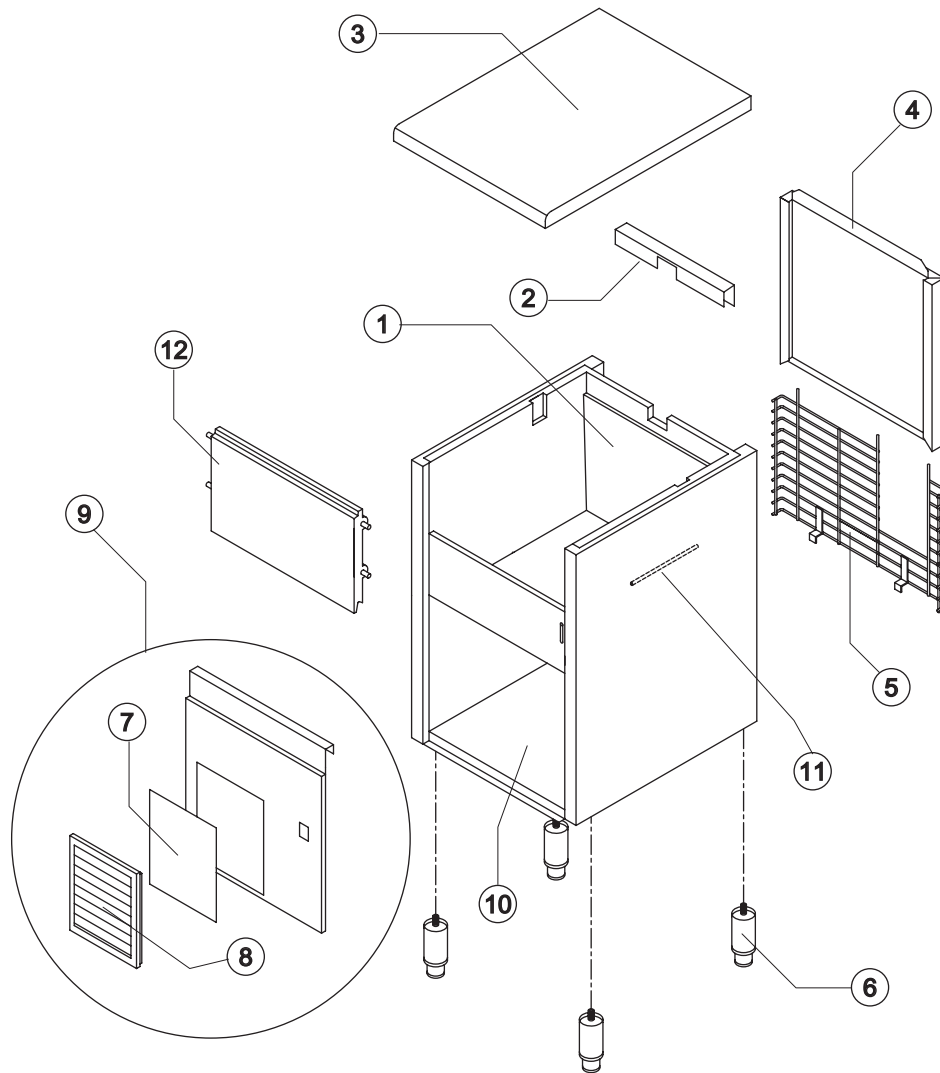
COOLING SYSTEM

EVAPORATOR

HYDRAULIC CIRCUIT

ELECTRIC PARTS

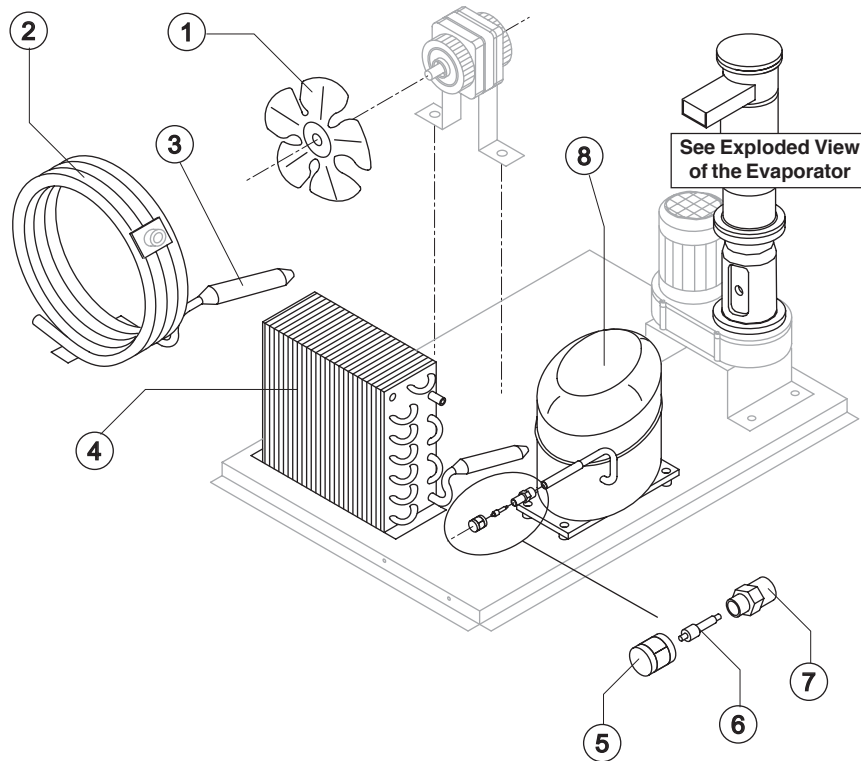
Rev. 12 - 22/06/2011



Ref.	Spare Description	Code
1	Foamed Cabinet Assy	See Table
2	Cover for Ice Exhaust	22592
3	Top Assembly	C22690
4	Rear Panel Assembly	C21202
5	Rear Grid	D12020
6	Adjustable Stainless Steel Foot	20613
7*	Filtering Panel	18106
8	Frame + Grid & Filter	C10205
9	Front Grid Panel	C22510
10	Base Plate	21284
11	Bulbe-holder Pipe	20522
12	Door Assy	C10275

Ref. 1 - Foamed Cabinet Assy

Condensation	Code
Air	C11098A
Water	C11098W



Common Parts

Ref.	Spare Description	Code
3*	Molecular Drier	14009
8	Compressor	See Table
5*	Vacuum-Charge Valve Plug	14006
6*	Vacuum-Charge Valve Device	14005
7	Vacuum-Charge Valve Body	14007

Parts for Air-Cooled Version Only

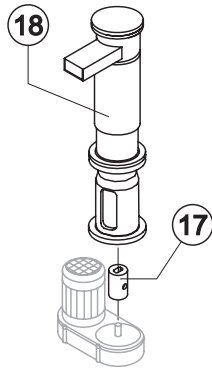
Ref.	Spare Description	Code
1	Sucking Fan	20031
4	Air Condenser	Current version
4	Air Condenser	Till s/n. 347947

Parts for Water-Cooled Version Only

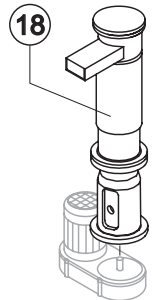
Ref.	Spare Description	Code
1	Sucking Fan	10213
2	Water Condenser	14014

Ref. 8 - Compressor

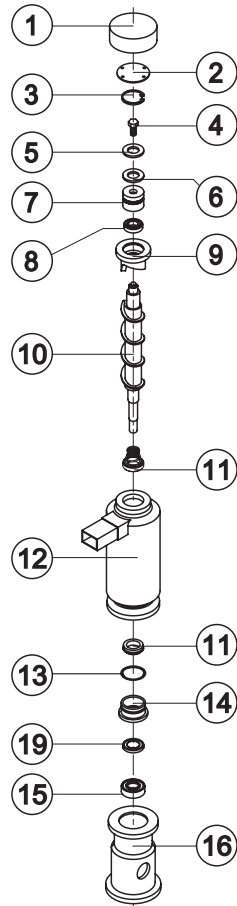
Voltage	Code
T11	23832
T12	23578A
T13	23679
T19	23679



C11140

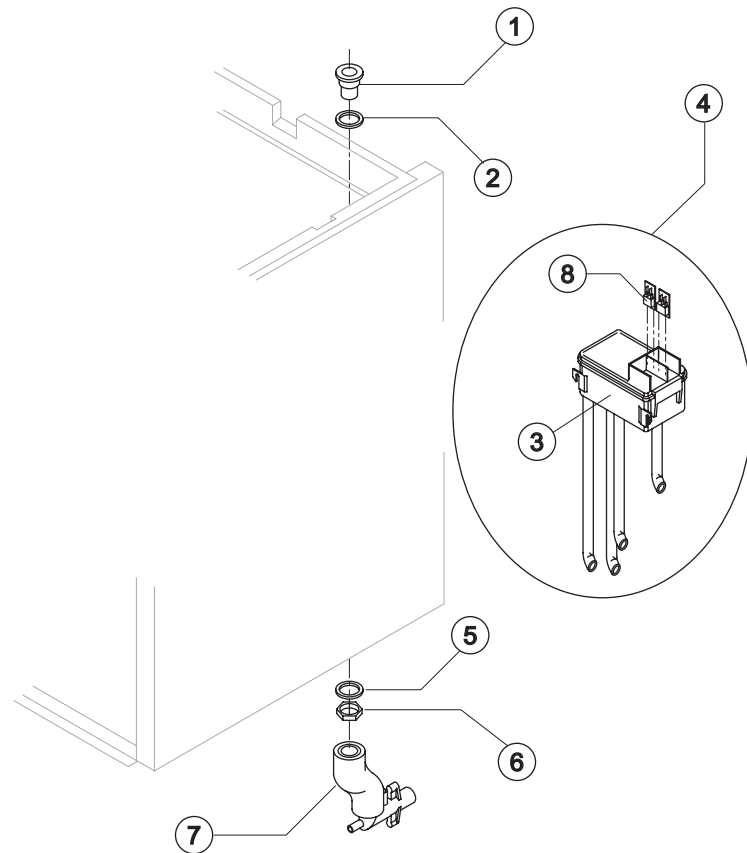


KITNEVGB



For Complete Evaporator,
order C11140.
Till s/n. 223592 order
code KITNEVGB.

Ref.	Spare Description (from s/n. 211898)	Code
1	Insulating Cap	18170
2	Closing Disk	22825
3	Seeger	20043
4	Stainless Steel Screw	20663
5	Shimming Disk	22826
6	Self-Lubricating Disk	20631
7	Stainless Steel Thrust Bearing	20686
8	OR Gasket 3087	20688
9	Ice Breaker	20626
10	Auger	Current Version 20783
10	Auger with Screw	Till s/n. 223592 C20783
11	Ceramic Seal	20937
12	Insulated Evaporator	C11107
13	OR Gasket 3162 NBR70	20429
14	Reduction Ring	Current Version 20785
14	Reduction Ring	Till s/n. 223592 20624
15	Stainless Steel Bearing	Current Version 20782
15	Stainless Steel Bearing	Till s/n. 223592 20045
16	Flange	20629
17	Joint	Current Version D20784
17	Joint	Till s/n. 223592 D20630
18	Evaporator Assy	Current Versio C11140
18	Evaporator Assy	Till s/n. 223592 KITNEVGB
19	Seal Ring	From s/n. 517244 20985



Common Parts

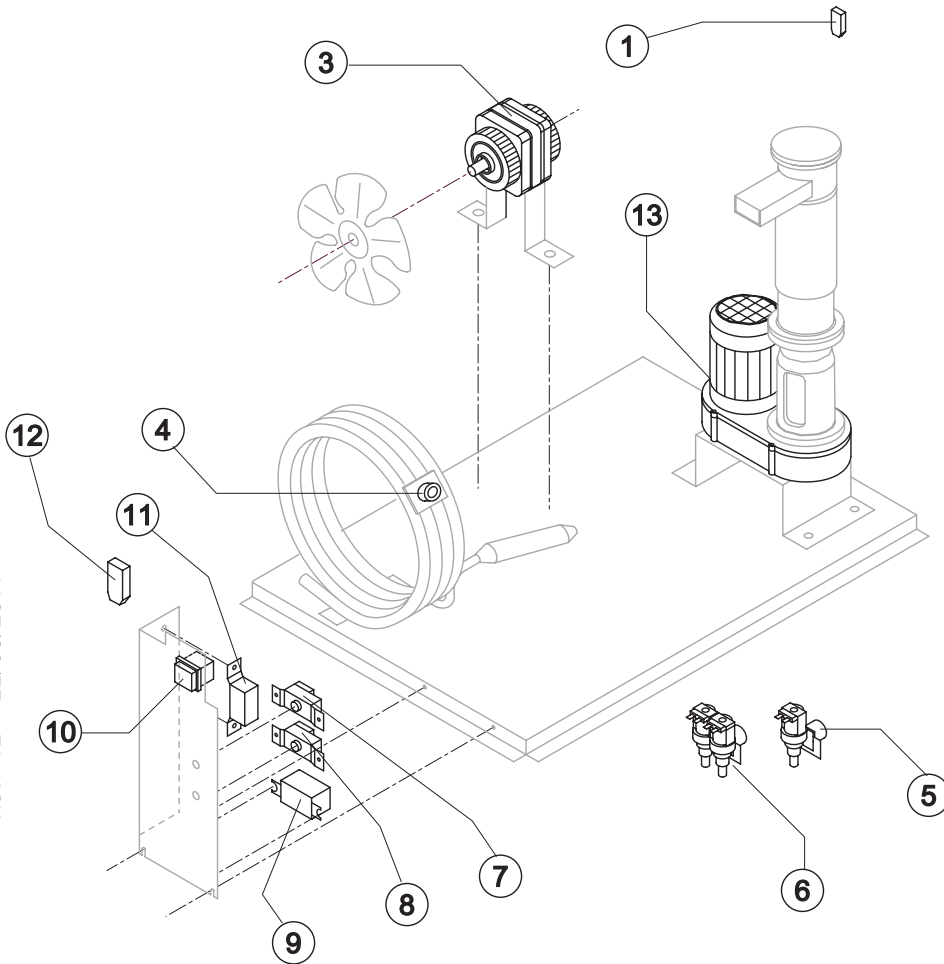
Ref.	Spare Description	Code
1	Water Outlet Nipple	10472
2	Silicone Gasket	13006
3	Double Switch Basin	10145
4*	Double Switch Basin Assembly	C10200GB
5	Semirigid Polyethylene Gasket	13007
6	Bin Discharge Nut	10096
8	Microswitch	23055

Parts for Air-Cooled Version Only

Ref.	Spare Description	Code
7	Discharges Manifold	C10235

Parts for Water-Cooled Version Only

Ref.	Spare Description	Code
7	Discharges Manifold	C10240



Common Parts

Ref.	Spare Description	Code
1	Anti Radio Interference Filter	T11 C23457
3*	Fan Motor	See Table -
7*	Bin Thermostat	R23005
8*	Evaporator Thermostat	R23034
9*	Relay	See Table -
10*	Green Light Switch (On-Off)	23327
11*	Condenser Pressure Switch	See Table -
12	Anti Radio Interference Filter	T11 C23459
13	Gearmotor	See Table -

Parts for Air-Cooled Version Only

Ref.	Spare Description	Code
5*	1 Way- Water Inlet Valve	See Table -

Parts for Water-Cooled Version Only

Ref.	Spare Description	Code
4*	Safety Thermostat	C23114
6*	2 Ways- Water Inlet Valve	See Table -

Ref. 3* - Fan Motor

Voltage	Air	Water
T11	23067	23029
T12	23681	23029
T13	23621	23683
T19	23621	23683

Ref. 5* - 1 Way-Water Inlet Valve

Voltage	Code
T11	23115
T12	23115
T13	23410
T19	23410

Ref. 6* - 2 Ways-Water Inlet Valve

Voltage	Code
T11	23010
T12	23010
T13	23261
T19	23261

Ref. 9* - Relay

Voltage	Code
T11	23190
T12	23190
T13	23557
T19	23557

Ref. 11* - Cond. Pressure Switch

Voltage	Code
T11	23175
T12	23175
T13	23175
T19	23680

Ref. 13 - Gearmotor

Voltage	Code
T11	23532
T12	23532
T13	23556
T19	23556