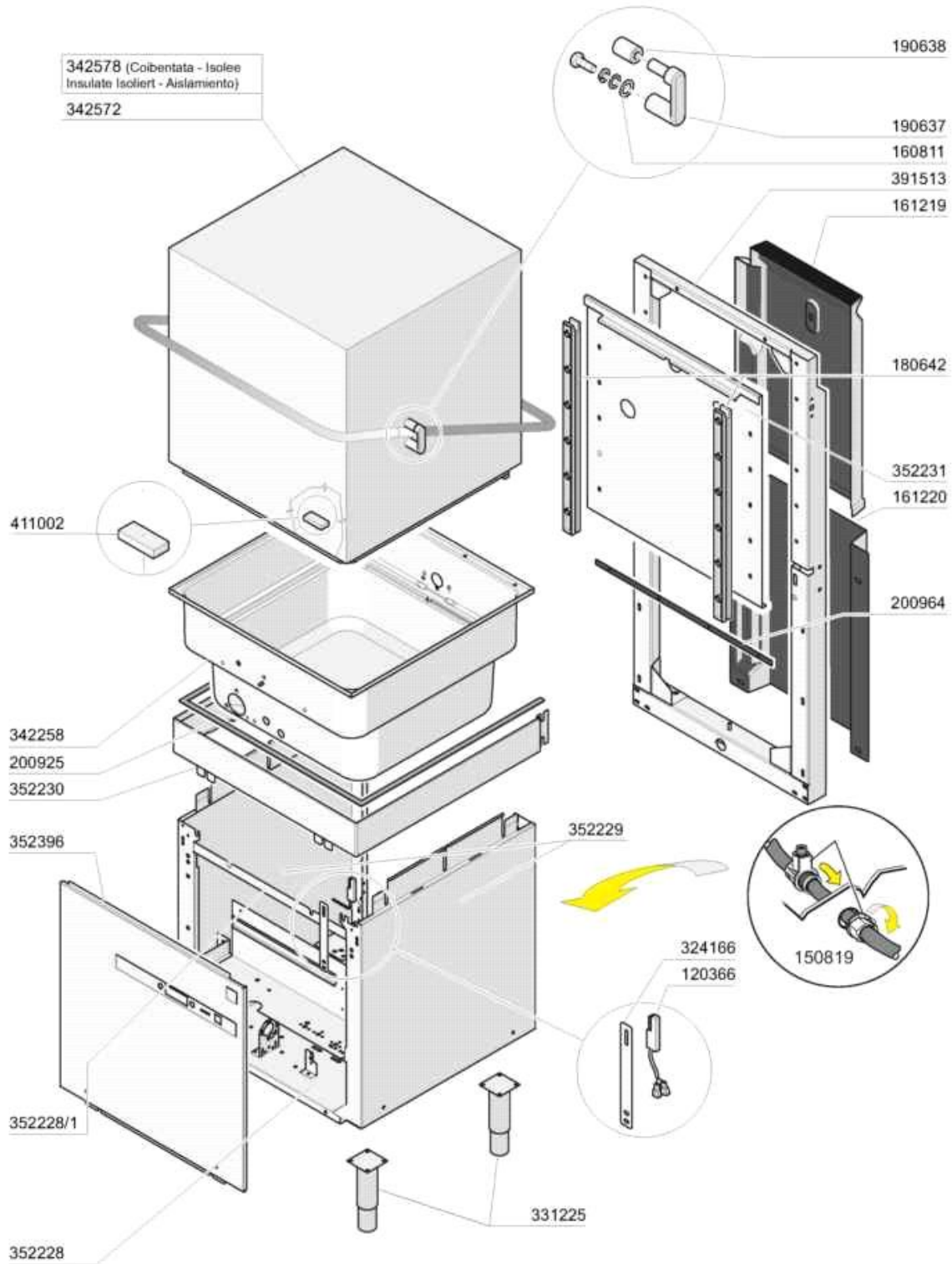
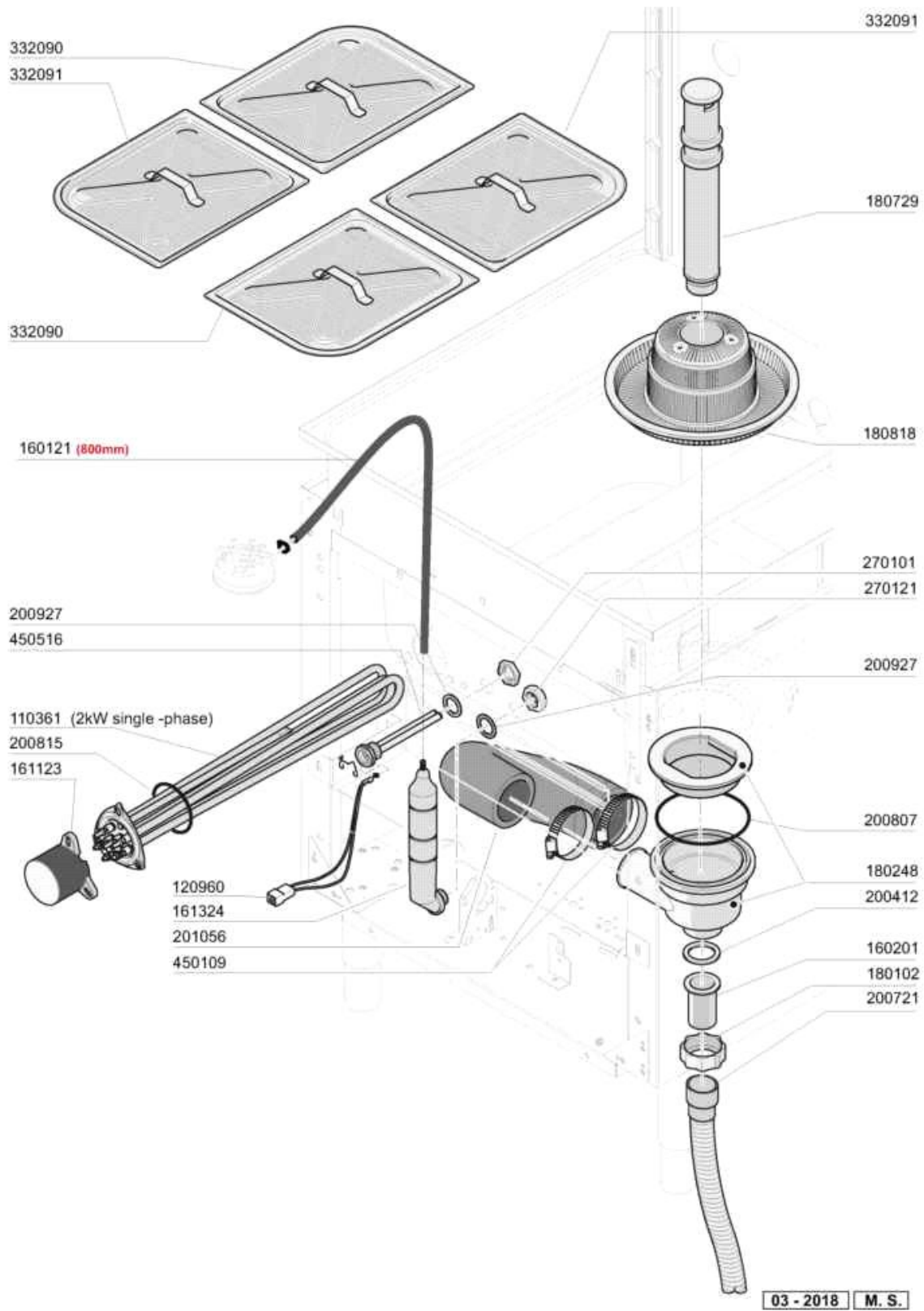


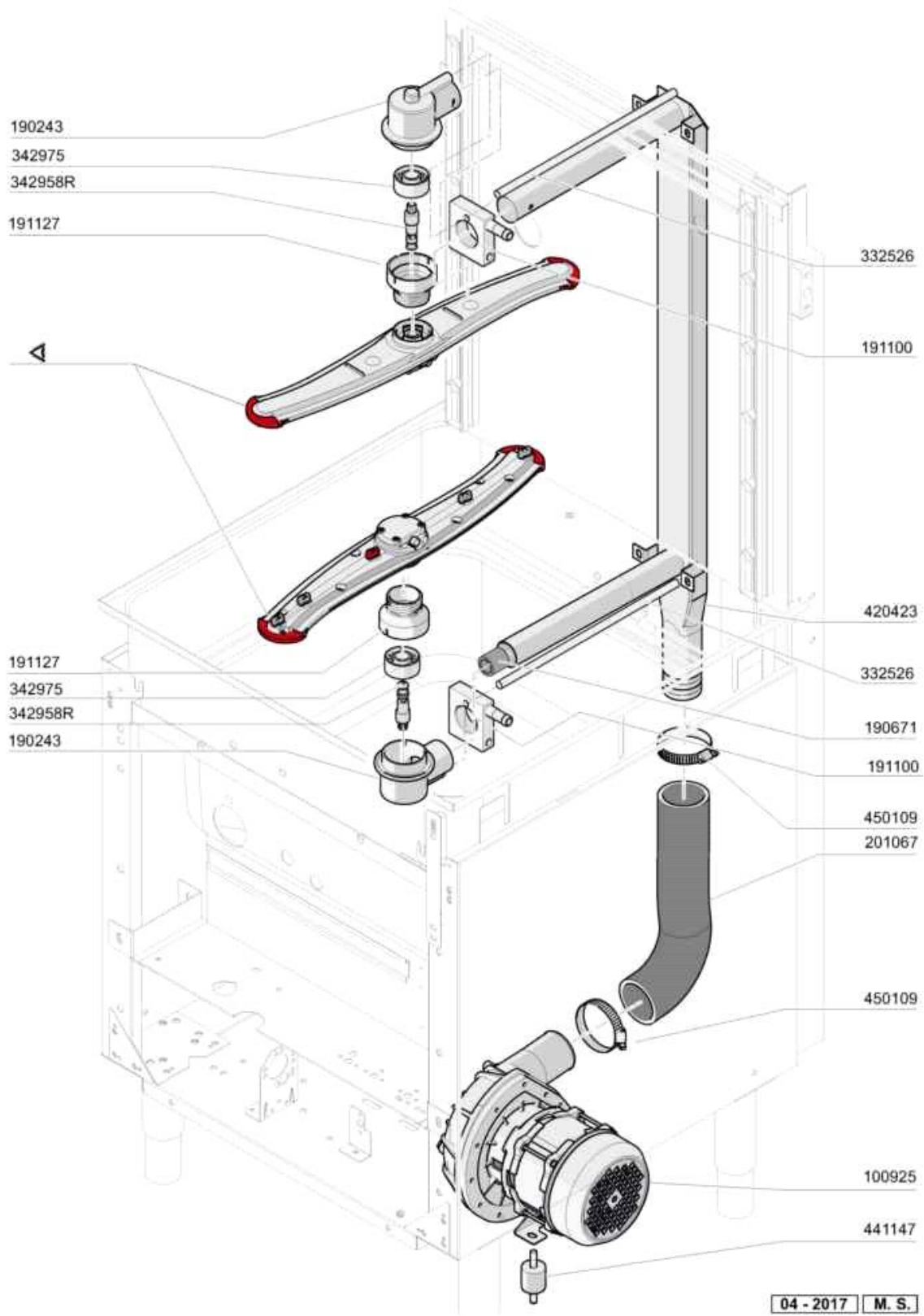
- 1 Hood
- 2 Tank
- 3 Wash and rinse column
- 4 Rinse
- 5 Wash and rinse ARM
- 6 Handle
- 7 Control box
- 8 Pumps
- 9 Drain pump
- 10 Detergent dispenser
- 11 Rinse Aid Injector



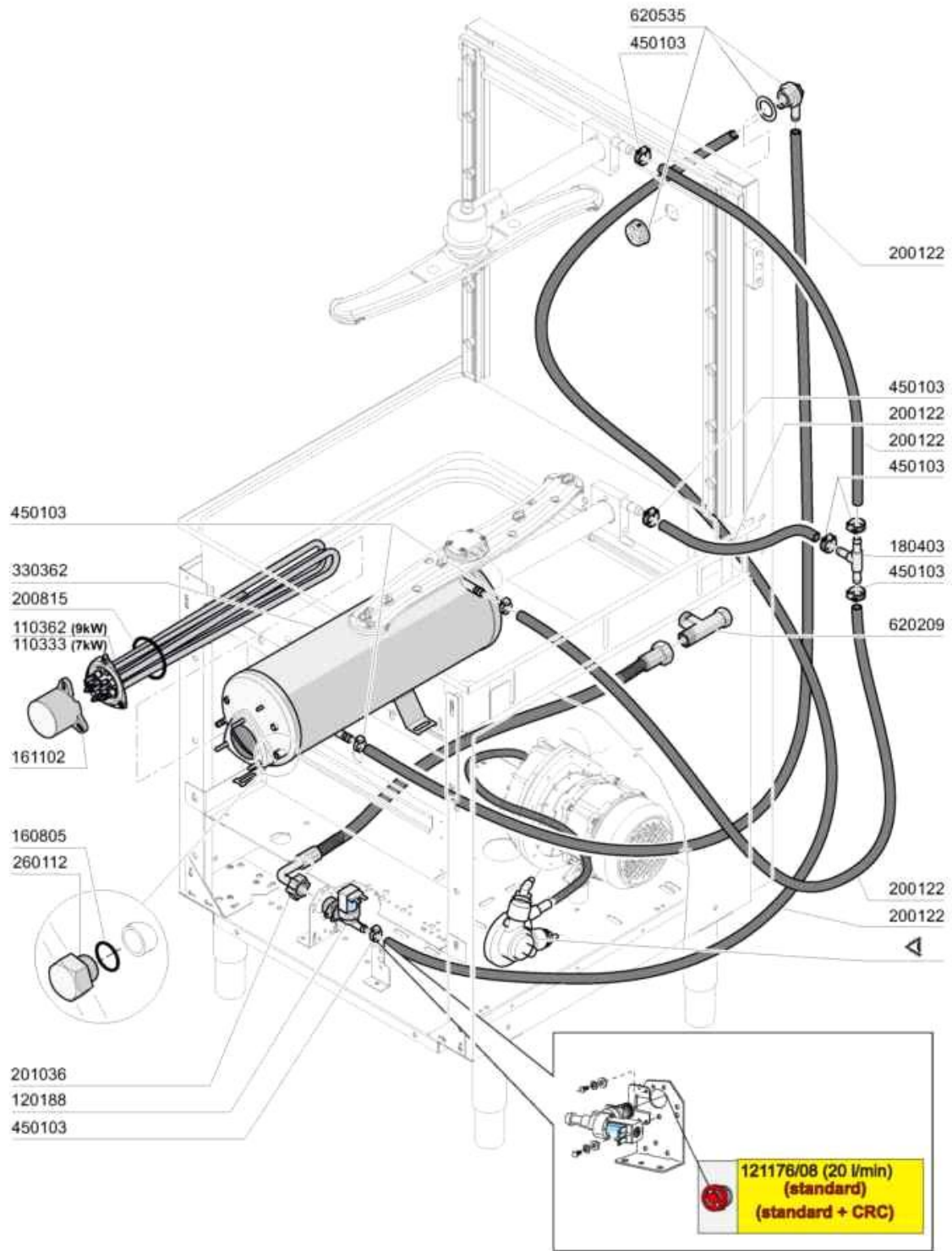
Code	Description	Price (EUR)
120366	MAGN.SENSOR	21.50
150819	CABLE HOLDER PG16 WITH HOLE	13.00
160811	WASHER F2 18X8.5X1 ALGOF	2.30
161219		48.50
161220		48.50
180642	GUIDE	29.00
190637	GUIDE FOR DOOR "C"	14.00
190638	ROLLER FOR "C" DOOR GUIDE	2.30
200925	GASKET	3.70
200964	GASKET 618X14 SP.2	7.00
324166	MICROSWITCH BRACKET	6.50
331225	ADJUSTABLE FEET	15.50
342258	TANK	573.50
342572	HOOD	653.50
342578	INSULATED HOOD	1,153.00
352228		105.00
352229		130.50
352230		150.00
352231		103.50
391513		283.50
411002	PERMANENT MAGNET 24X12	3.10



Code	Description	Price (EUR)
110361	HEAT. ELEMENT 2200W 230V	93.00
120960	PROBE C-G	30.00
160121	HOSE EPDM D. 5 X 9	3.95
160201	ELBOW F.TANK INLET MOPLEN	2.80
161123	HEAT.ELEMENT COVER H42 SNL	3.65
161324	AIR CHAMBER	15.00
180102	DRAIN PIPE NUT 1"1/2 F45-55	4.05
180248	SUCTION TANK	17.00
180729	OVERFLOW PIPE	22.50
180818	STRAINER FOR FC	18.00
200412	GASKET DRAIN 1 1/2" 45X33X3	1.15
200721	DRAIN HOSE 28X35 3MT.	28.50
200807	O-RING 3,53 X 110,72	7.50
200815	O-RING F. HEAT. ELEM.	2.00
200927	GASKET FOR AIR TRAP	1.40
201056	WASH PUMP INLET HOSE	44.50
270101	HEXAGON LOCK NUT 1/2"	8.50
270121	NUT FOR AIR TRAP	8.00
332090	RIGHT STRAINER	29.50
332091	LEFT STRAINER	29.50
450109	CLAMP 50-65	6.50
450516	THERMOSTAT SHIELD FOR 2 TERMOS	25.50

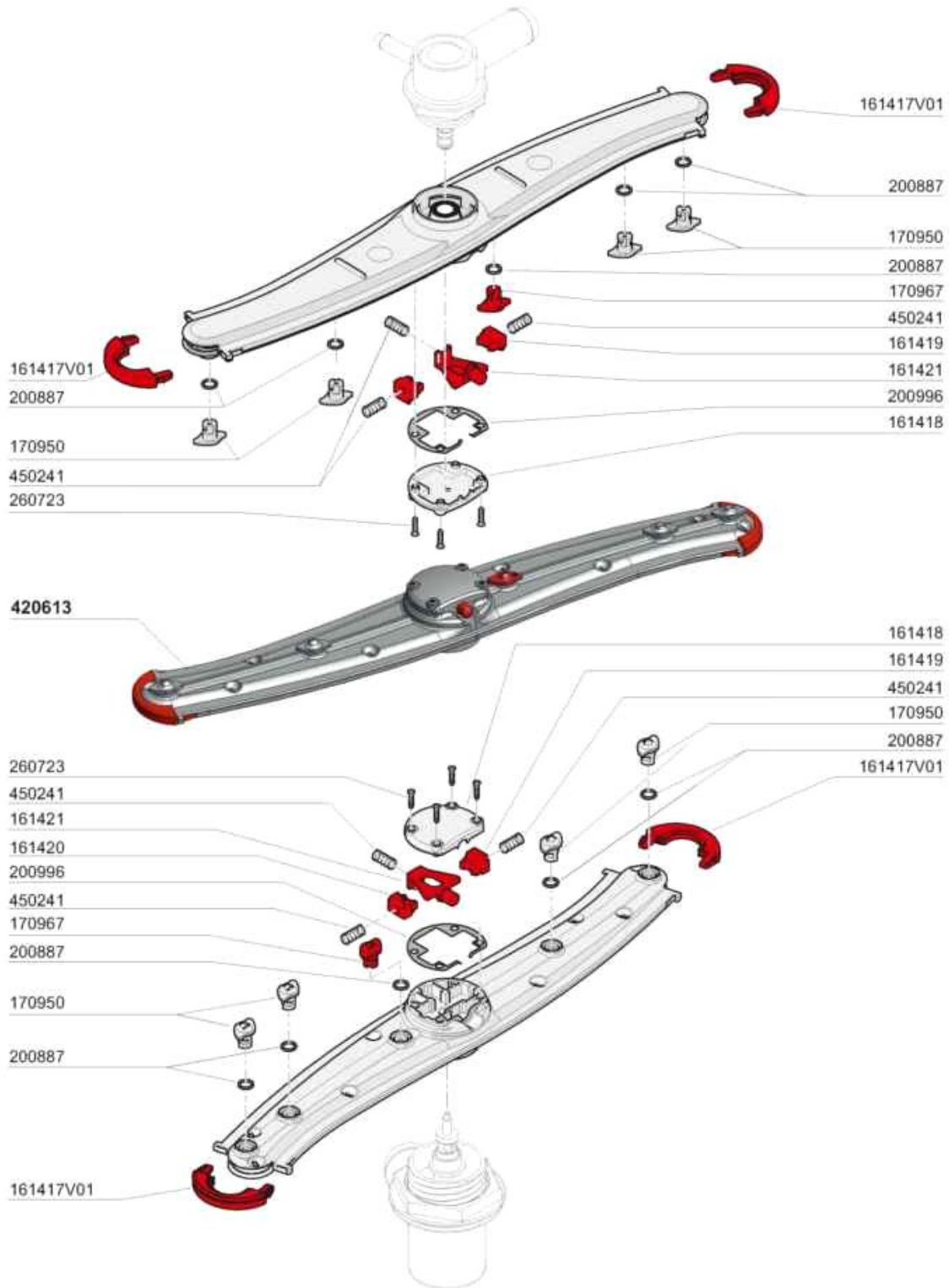


Code	Description	Price (EUR)
100925	WASH PUMP HP1 230V/50Hz- kW0,7	238.00
190671	BUSH	26.00
191100	RINSE COLLECTOR C-LC	6.50
191127		5.50
201067	OUTLET HOSE	41.50
332526	RINSE HOSE	7.50
342958R	WRIS2+ WASH ARM PIN	76.50
420423	WASH RAMP C/LC	164.00
441147		8.00
450109	CLAMP 50-65	6.50



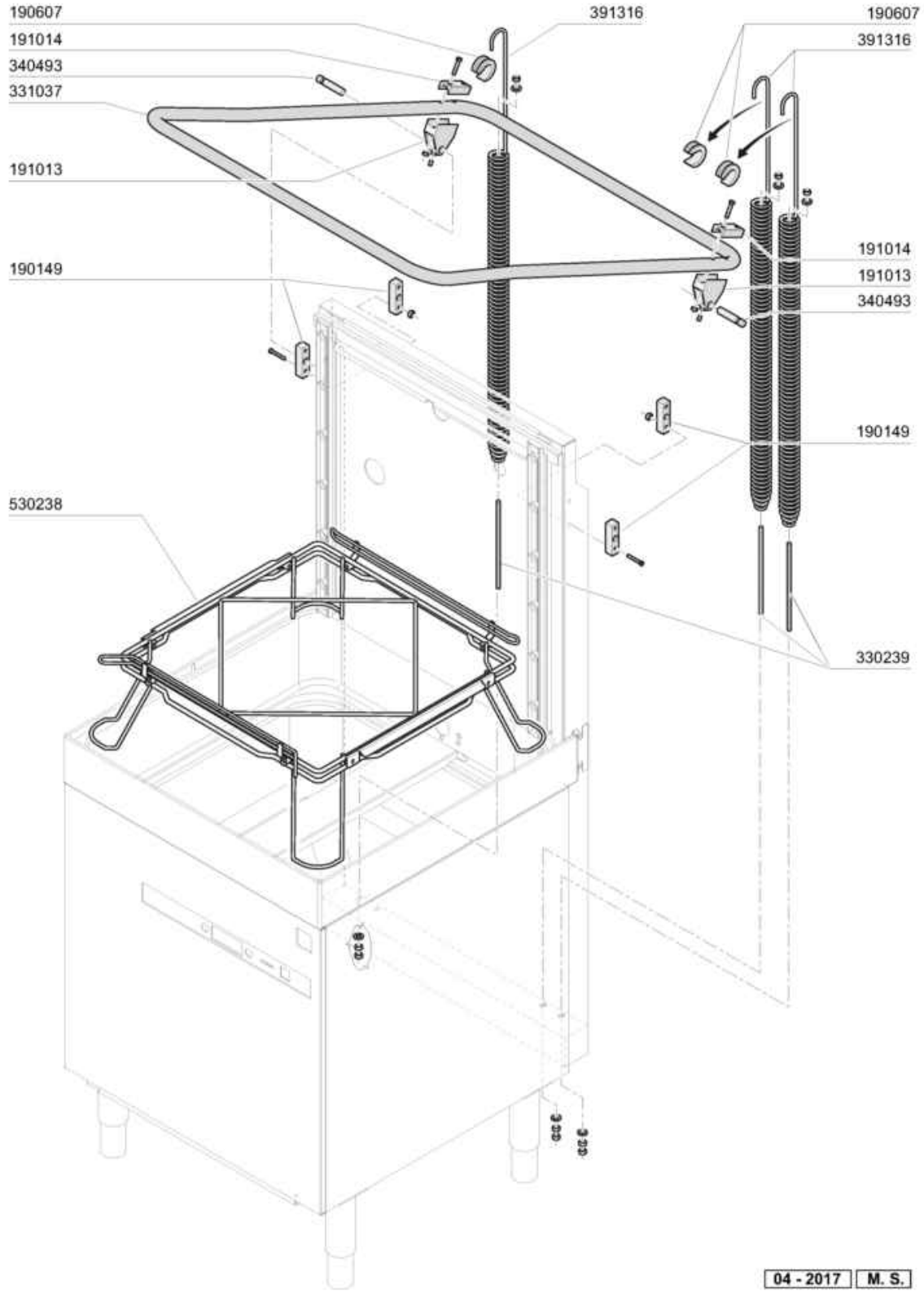
05 - 2018 | M. S.

Code	Description	Price (EUR)
110333	HEATER 7KW 230/400V	68.00
110362	HEAT.ELEMENT 9000W 220/380V	133.50
120188	SOLENOID VALVE 90° 1 WAY 220V	16.50
121176/08	REG.PORT.T&P 20 L/M.ROSSO PUNK	0.00
160805	GASKET D.8	1.85
161102	ELEMENT COVER MOPL. H50 (HIGH)	5.00
180403	TEE-NIPPLE F2-F300-B10-11	4.50
200122	HOSE 11X19	13.00
200815	O-RING F. HEAT. ELEM.	2.00
201036	INLET HOSE 2 MT	38.00
260112	STAINLESS STEEL TE-SCREW 8X16	0.55
330362	BOOSTER FOR BREAK TANK	135.00
450103	CLAMP FE ZN. 13-20 H=9	3.10
620209	INLET WATER FILTER	22.00
620535	VACUUM BREAKER	20.00



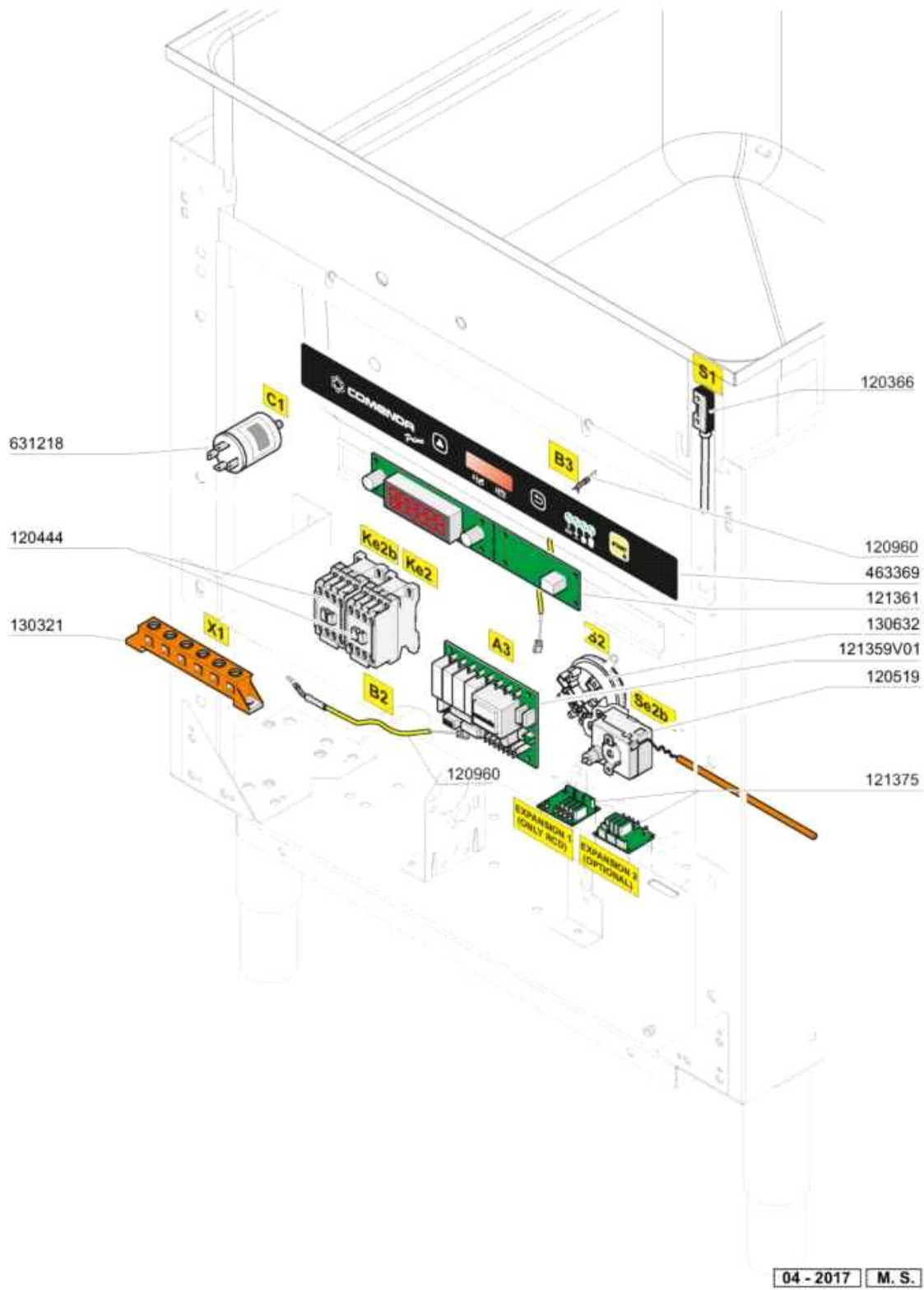
03 - 2017 M. S.

Code	Description	Price (EUR)
161417V01	WASH ARM PLUG WRIS-PP	10.00
161418	COPERCHIO MULIN. ELICOID. F.0	6.50
161419	PINZA DX MULIN.ELICOID. F.0	1.75
161420	PINZA SX MULIN.ELICOID. F.0	1.75
161421	STRINGIPINZA MULIN.ELIC. F.0	1.95
170950	RINSE JET WRIS2+ (70?)	3.25
170967	RED RINSE JET WRIS2+ (120?)	2.60
200887	OR GASKET 9,6x2,4 - XP70	0.45
420613	WRIS2+ 500mm POLYPROP.WASH ARM	92.50

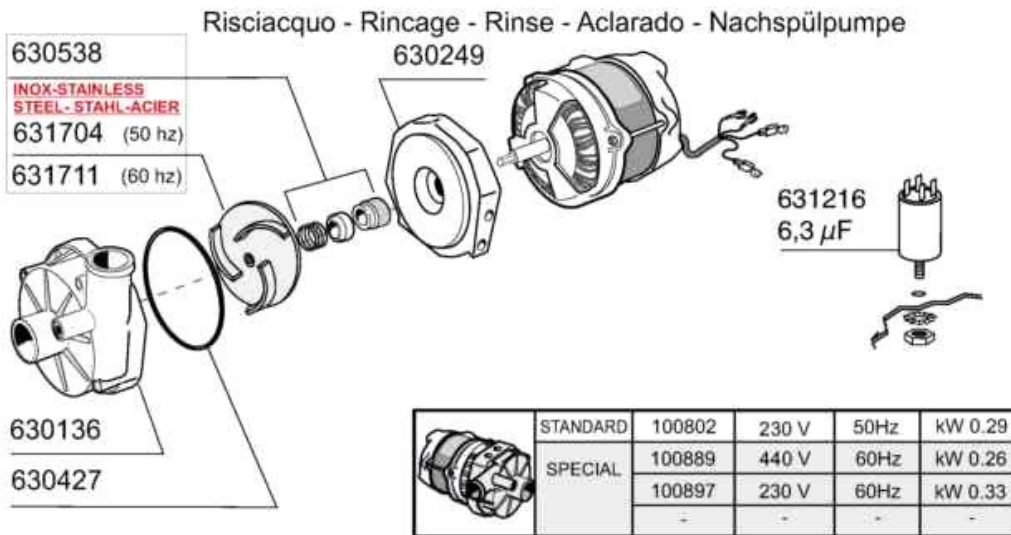
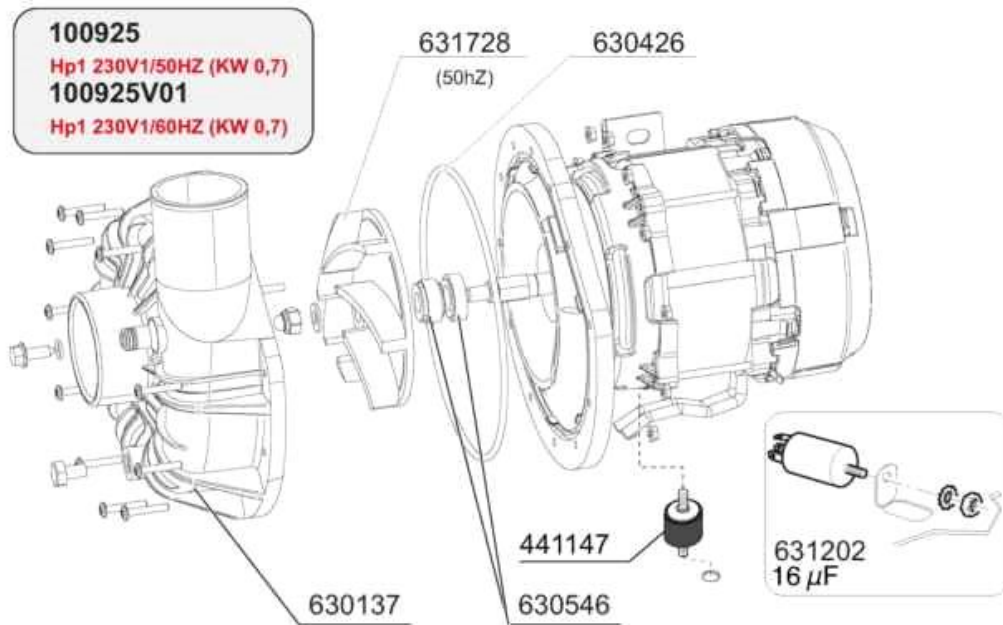


04 - 2017 M. S.

Code	Description	Price (EUR)
190149	REINFORCEMENT FOR HANDLE SUPP.	1.65
190607	HANDLE BUSH C30-70	3.05
191013	HINGE F. SUPPORT C30-C70	4.40
191014	FLANGE F. HANDLE C30-70	2.55
330239	ROD	7.50
331037	HANDLE C95-155-165 ISOLATED	103.00
340493	PIN F. HINGE C30	7.50
391316	SPRING FOR HANDLE C85/140-G75	60.00
530238	RACK SUPPORT C-SERIES	270.50

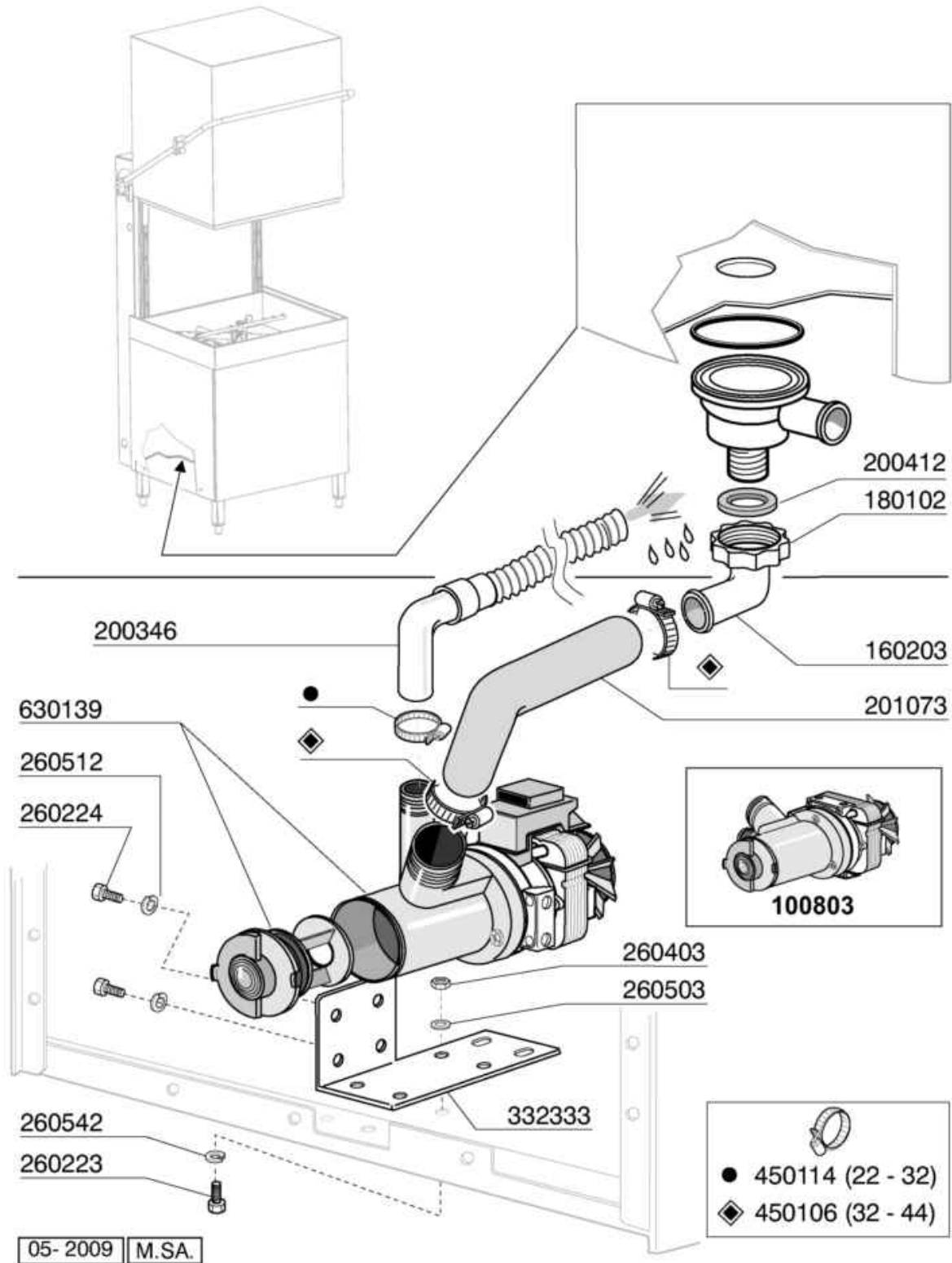


Code	Description	Price (EUR)
120366	MAGN.SENSOR	21.50
120444	CONTACTOR 9A 220V 50HZ	41.00
120519	SAFETY THERMOSTAT 95-125?	61.50
120960	PROBE C-G	30.00
121359V01	ELECTRONIC BOARD HAC PLUS (P7)	188.50
121361	DISPLAY PCB 7S	96.50
121375	EXPANSION CARD UC14	69.50
130321	JUNCTION BOX 6 CONNECTORS	6.50
130632	PRESSURE SWITCH 1L	27.50
631218	ANTI-NOISE FILTER 16A L-C	9.50

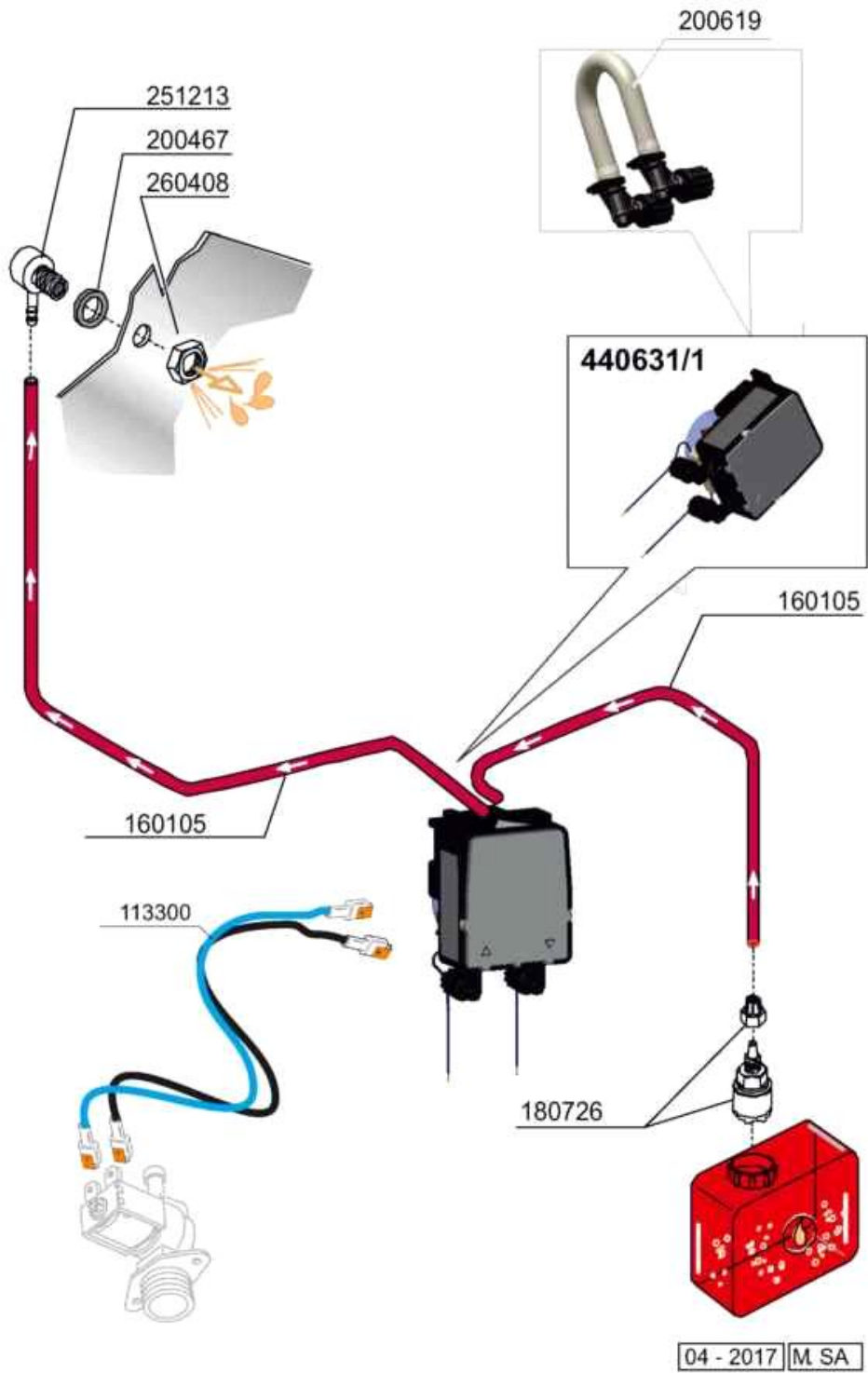


04 - 2017 | M.SA.

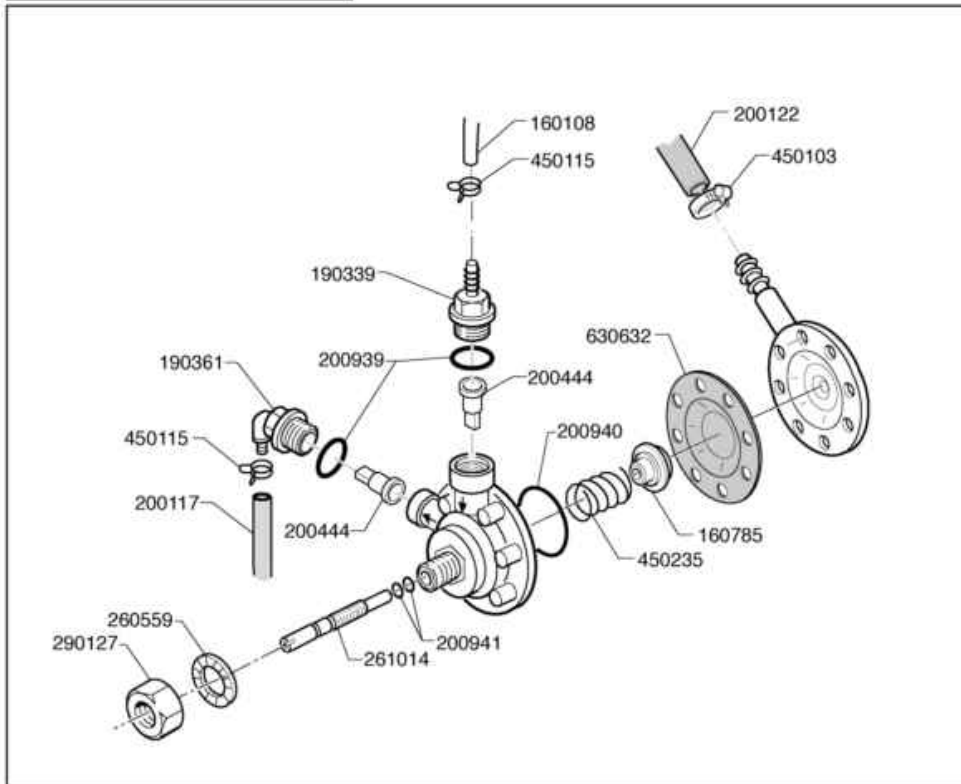
Code	Description	Price (EUR)
100802	PUMP HP 0,3 230V-50HZ	166.00
100889	PUMP HP 0,3 440V-60HZ	192.00
100897	PUMP HP 0,3 230V-60HZ	176.50
100925	WASH PUMP HP1 230V/50Hz- kW0,7	238.00
100925V01	PUMP HP1 230V/1/60Hz kW 0,7	0.00
441147		8.00
630136	PUMP VOLUTE LGB ZF131DX	15.00
630137	PUMP VOLUTE LGB ZF800DX	29.00
630249	PUMP FLANGE ZF131 DX	18.50
630426	GASKET LGB ZF800	4.00
630427	O-RING FOR PUMP ZF131DX	1.45
630538	SEAL LGBZF131DX	33.00
630546	SEAL FOR PUMP	16.00
631202	CONDENSER 16 MF 450V	12.00
631216	CAPACITOR 6.3 MF 450V	9.50
631704	PUMP IMPELLER ZF131DX	43.50
631711	IMPELLER LGB ZF131DX 60HZ D.66	0.00



Code	Description	Price (EUR)
100803	DRAIN PUMP WITH FILTER 220/50	88.50
160203	ELBOW 1"1/2 N-S-F-C /DRAIN	4.50
180102	DRAIN PIPE NUT 1"1/2 F45-55	4.05
200346	DRAIN HOSE GLASSWASHER	21.50
200412	GASKET DRAIN 1 1/2" 45X33X3	1.15
201073	INLET HOSE LC/CE DRAIN PUMP	22.50
260223	M5X12 MSH/HD SCREW SPECIAL S/S	1.60
260224	TB-SCREW 6X15 B23-10-11-12	1.60
260403	NUTS D.5	1.40
260503	STAINL.STEEL FLAT WASHER D5 UN	1.40
260512	ST/ST GROWER WASHER D6	1.40
260542	WASHER D.5	0.35
332333	BRACKET FOR DRAIN PUMP	16.50
450106	CLAMP FE ZN 32-44 H=12,2	6.00
450114	CLAMP FE ZN.22-32 H=12,2	5.50
630139	DRAIN PUMP VOLUTE WITH FILTER	30.50



Code	Description	Price (EUR)
113300	CABLE FOR DETERGENT INJECTOR	0.00
160105	INJECT. INLET HOSE D.6X4	2.65
180726	STREINER FOR RINSE AID INJECTO	24.00
200467	DUTRAL GASKET F. AIR TRAP	0.65
251213	INJECTOR S/S FOR DETERGENT IN	16.50



Ed.	06/2014
Rev.	
Data	

Code	Description	Price (EUR)
160108	INJECT.INLET HOSE D.8X5	2.40
160785	GUIDE FOR SPRING RINSE AID INJ	0.00
190339	RINSE AID INJECTOR CONNECTION	4.55
190361	ELBOW 90°	3.53
200117	RUBBER HOSE 7X16	17.00
200122	HOSE 11X19	13.00
200444	SUCTION VALVE RINSE INJECTOR	2.25
200939	OR GASKET	0.00
200940	GASKET	2.05
200941	OR GASKET	2.00
260559		0.30
261014	SCREW	0.00
290127		0.00
450103	CLAMP FE ZN. 13-20 H=9	3.10
450115	ELASTIC CLAMP D.8,3/7,8	0.25
450235	SPRING RINSE AID INJECTOR	0.00
620736	RINSE AID INJECTOR C35/43/46E	46.00
630632	DIAPHRAGM RINSE INJECTOR HVD	7.00