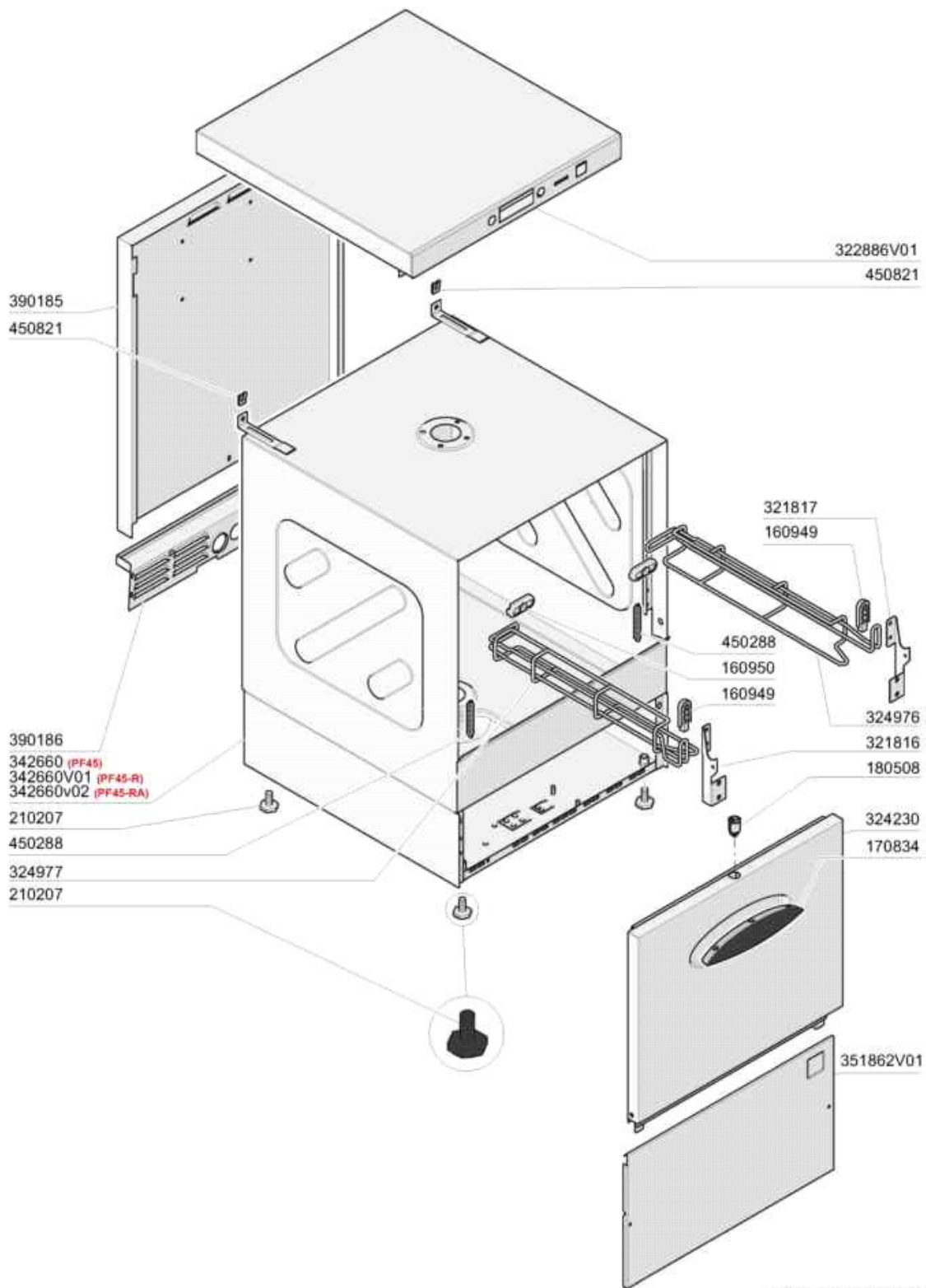
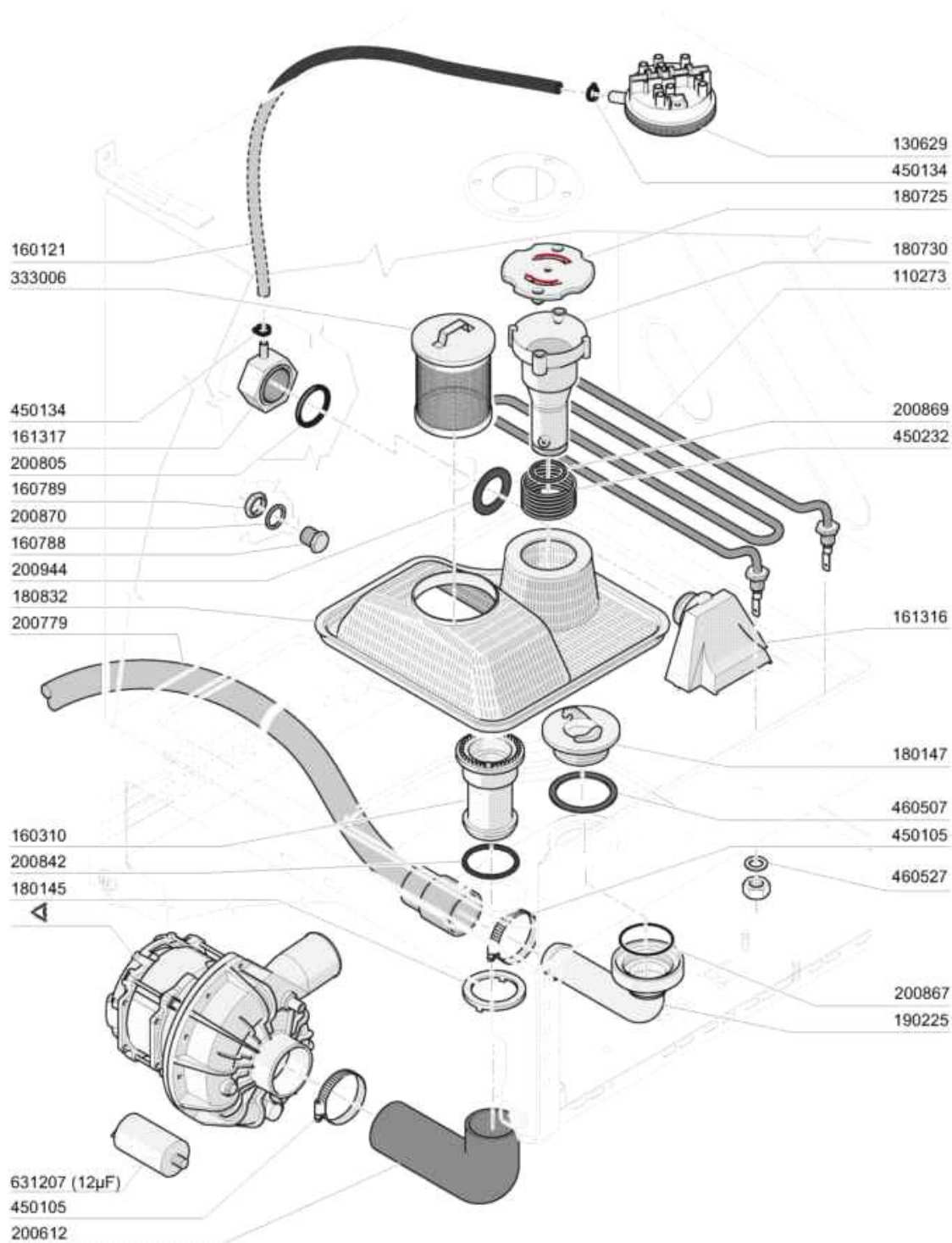


-
- 1 Hood
 - 2 Tank
 - 3 Wash
 - 4 Rinse
 - 5 Wash and rinse ARM
 - 6 Pump
 - 7 Control Box
 - 8 Drain Pump

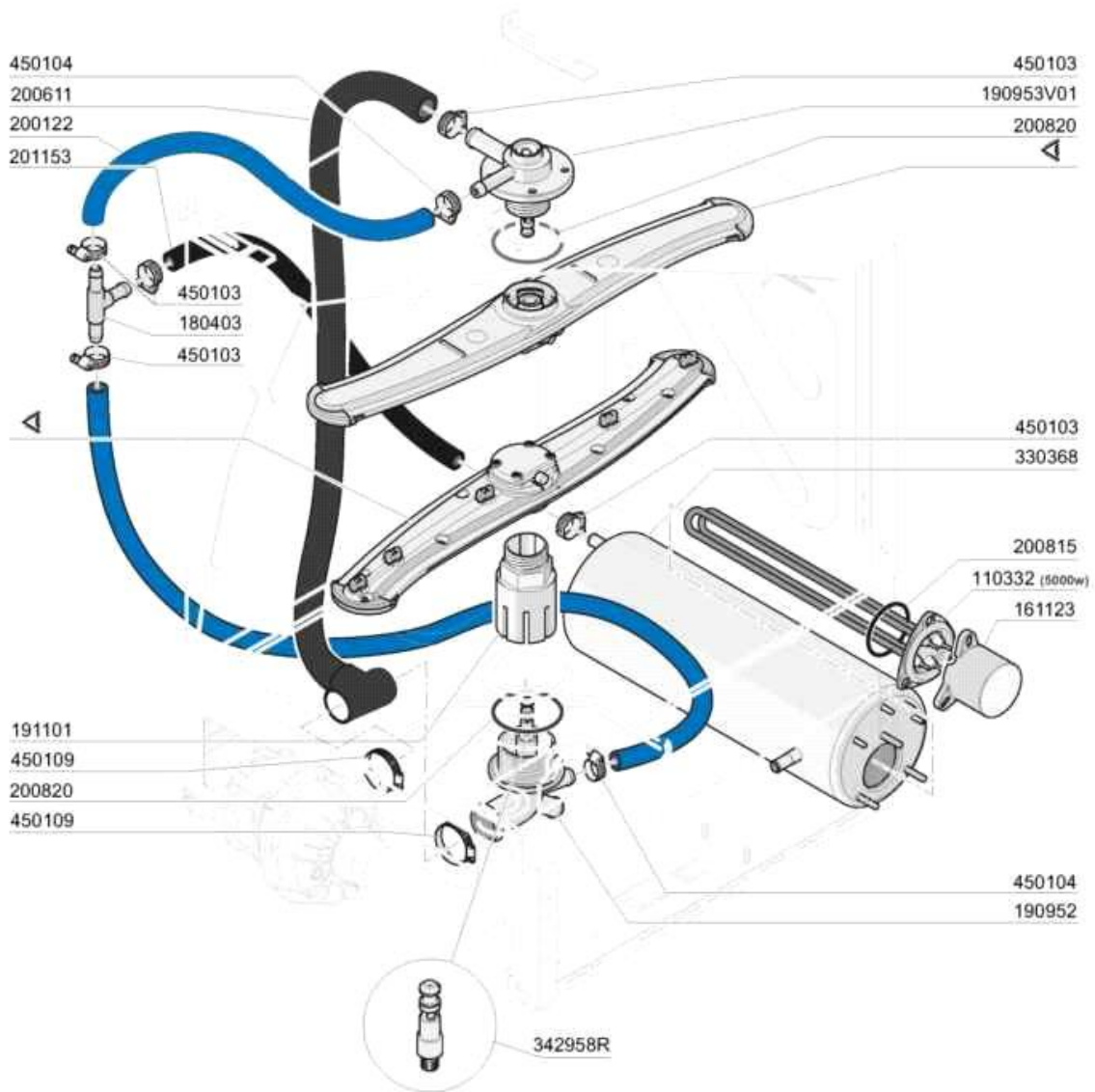


Code	Description
160949	BLOCCH.ANT.GUIDA CES.C43/46'15
160950	BLOCCH.POS.GUIDA CES.C43/46'15
170834	PF-PB HANDLE
180508	DOOR CATCH
210207	FOOT BHC
321816	
321817	
322886V01	COVER PF
324230	
324976	
324977	
342660	
342660V01	
342660V02	
351862V01	
390185	BACK PANEL LF2004
390186	PANEL
450288	DOOR SPRING
450821	SPRING CLIP FASTENER SNU 3634



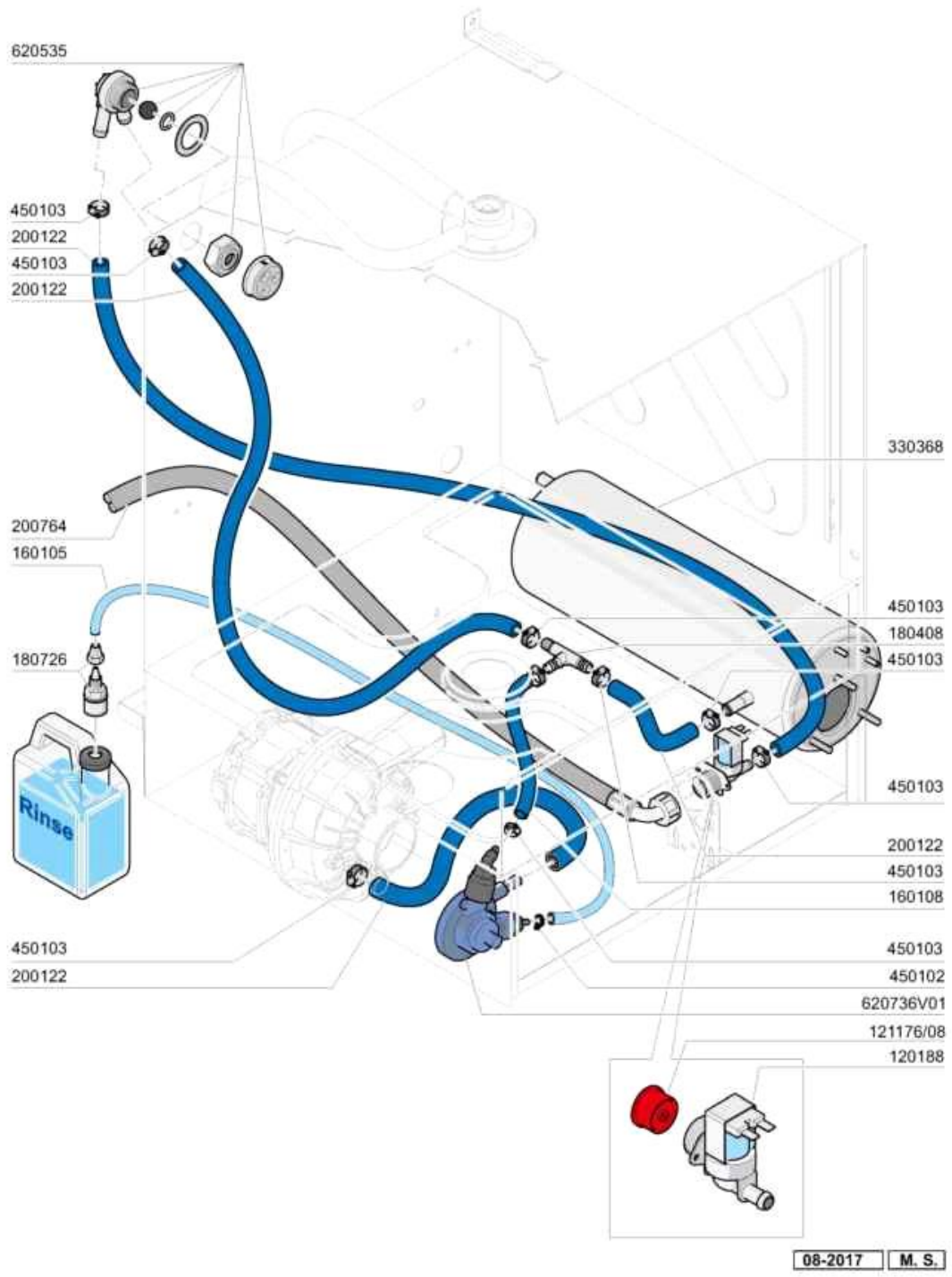
08 - 2017 M. S.

Code	Description
110273	TANK HEATER 2000W 230V
130629	PRESSURE SWITCH 1L30-12
160121	HOSE EPDM D. 5 X 9
160310	INLET HOSE BHC
160788	PLUG
160789	NUT
161316	AIR TRAP
161317	NUT FOR AIR TRAP
180145	NUT
180147	NUT
180725	OVERFLOW PIPE COVER
180730	OVERFLOW PIPE
180832	FILTER FOR LF TANK
190225	DRAIN OUTLET
200612	PUMP INLET HOSE
200779	DRAIN HOSE FOR BR-BC-FC43
200805	OR GASKET 2,62X28,24X33,48
200842	SEAL RING OR158 PB701 NITRILE
200867	GASKET
200869	GASKET
200870	GASKET 18X10X2
200944	GASKET
333006	FILTER
450105	CLAMP FE ZN. 26-38 H=12,2
450134	ELASTIC HOSE CLIP D.9,3/8,8
450232	SPRING OVERFLOW PIPE BHC
460507	GASKET 55X42X2 NBR
460527	GASKET
631207	CONDENSER 12,5MF. 450V 85C

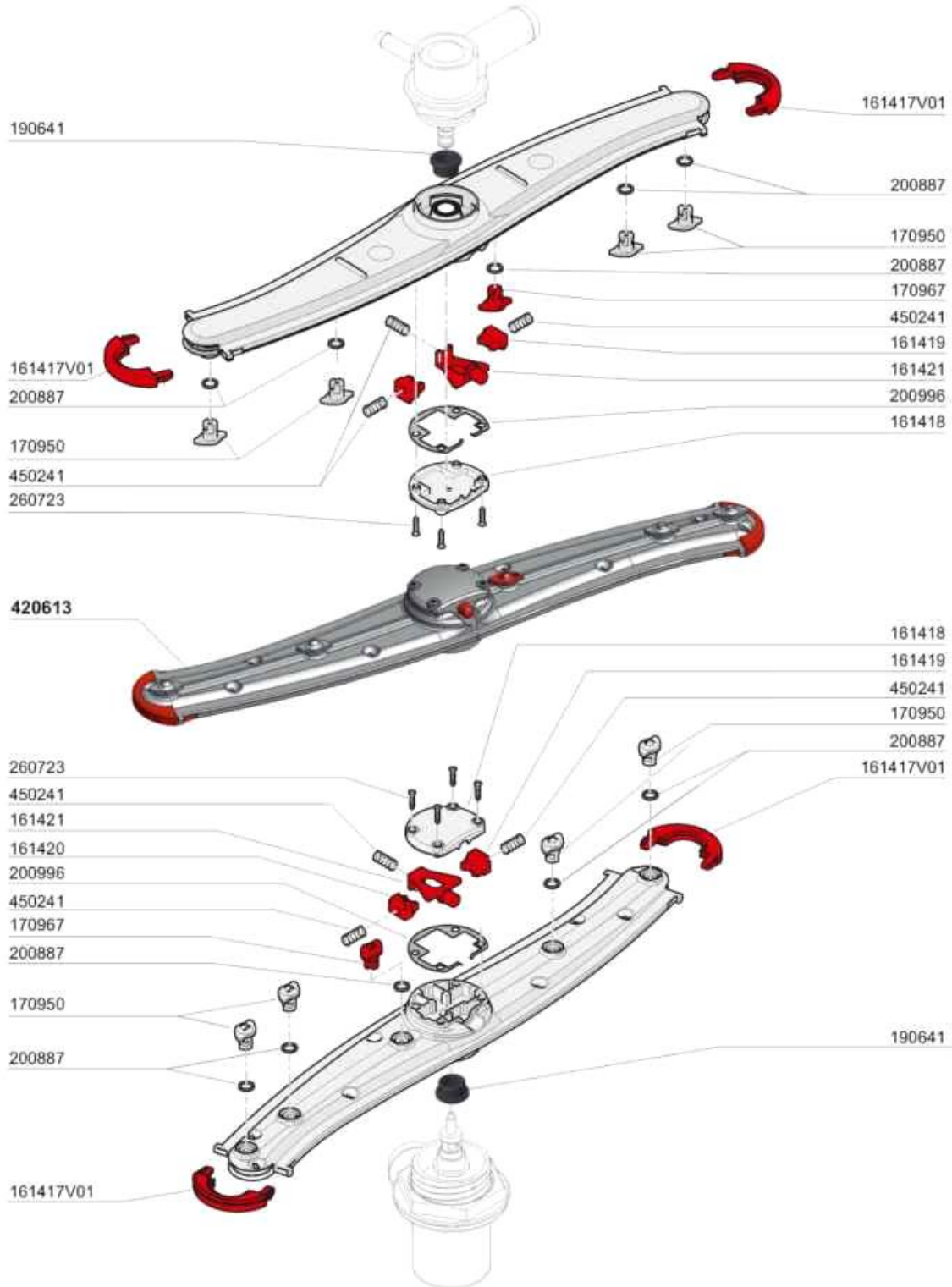


08 - 2017 M. S.

Code	Description
110332	HEATING ELEMENT 5000W 230/400V
161123	HEAT.ELEMENT COVER H42 SNL
180403	TEE-NIPPLE F2-F300-B10-11
190952	LOWER ARM SUPPORT
190953V01	
191101	LOWER TEE WASH/RIN ARM
200122	HOSE 11X19
200611	OUTLET HOSE
200815	O-RING F. HEAT. ELEM.
200820	O-RING151 46,99X5,33X57,6
201153	
330368	BOILER LF2004
342958R	WRIS2+ WASH ARM PIN
450103	CLAMP FE ZN. 13-20 H=9
450104	CLAMP FE ZN H=12,5 15-24
450109	CLAMP 50-65



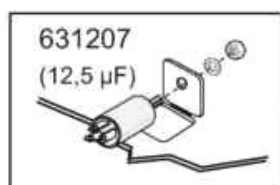
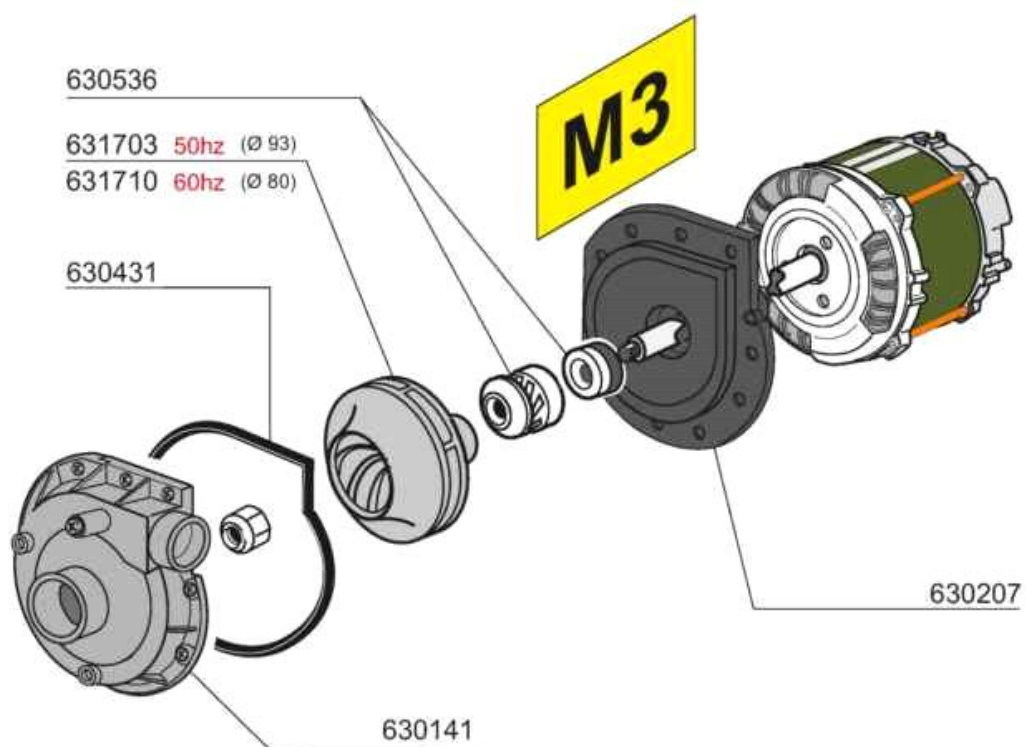
Code	Description
120188	SOLENOID VALVE 90° 1 WAY 220V
121176/08	REG.PORT.T&P 20 L/M.ROSSO PUNK
160105	INJECT.INLET HOSE D.6X4
160108	INJECT.INLET HOSE D.8X5
180408	TEE-NIPPLE F.INJECT.W/CENTR.RE
180726	STREINER FOR RINSE AID INJECTO
200122	HOSE 11X19
200764	GLASSWASHERS DRAIN HOSE
330368	BOILER LF2004
450102	CLAMP FE ZN 11-17 H=9
450103	CLAMP FE ZN. 13-20 H=9
620535	VACUUM BREAKER
620736V01	RINSE AID INJECTOR (PB-PF)



03 - 2017 M. S.

Wash and rinse ARM

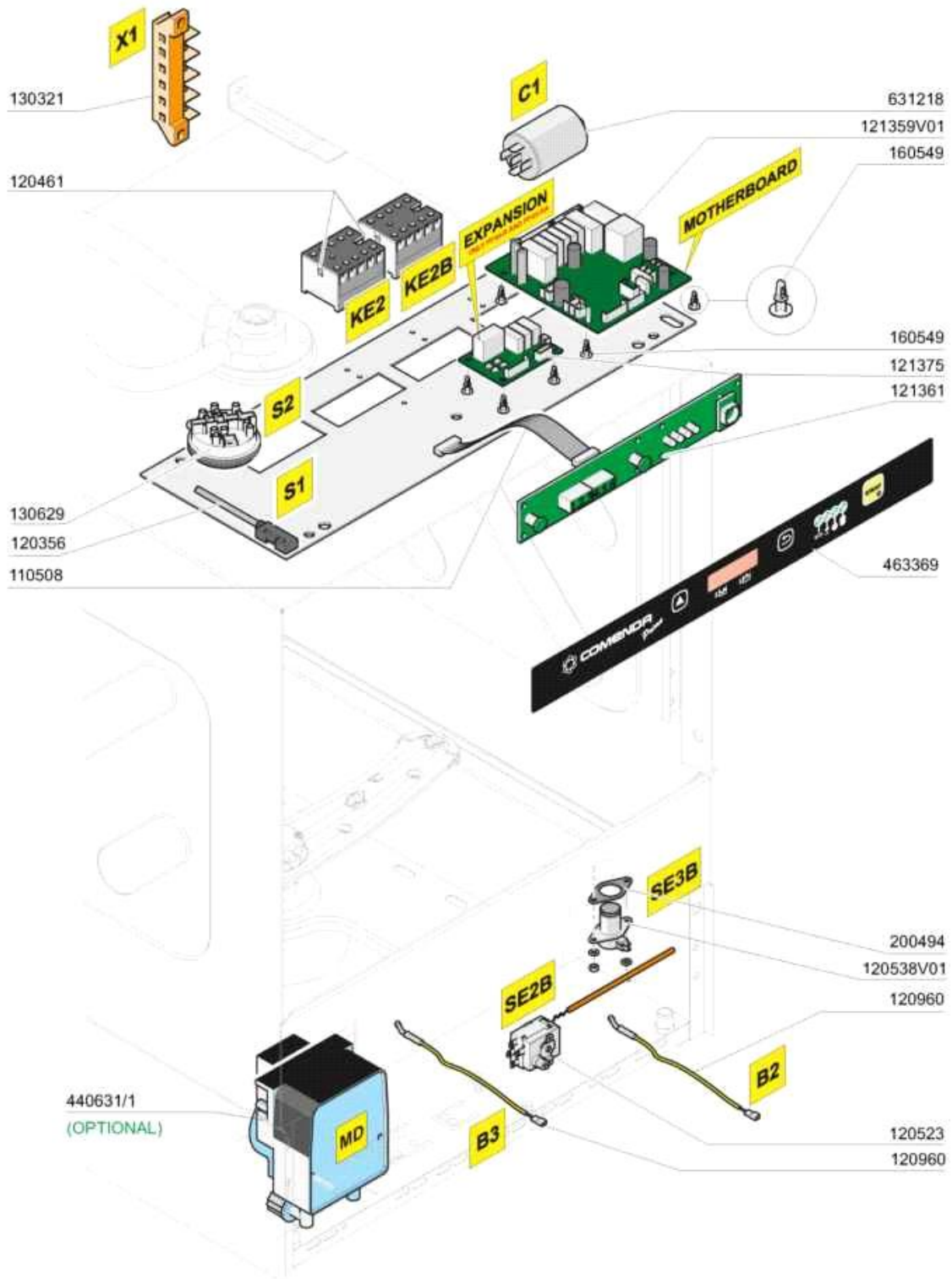
Code	Description
161417V01	WASH ARM PLUG WRIS-PP
161418	COPERCHIO MULIN. ELICOID. F.0
161419	PINZA DX MULIN.ELICOID. F.0
161420	PINZA SX MULIN.ELICOID. F.0
161421	STRINGIPINZA MULIN.ELIC. F.0
170950	RINSE JET WRIS2+ (70?)
170967	RED RINSE JET WRIS2+ (120?)
190641	BUSH FOR C95-155-165 RINSE ARM
200887	OR GASKET 9,6x2,4 - XP70
200996	SYLICON JOINT
260723	SCREW D3,5X16
420613	WRIS2+ 500mm POLYPROP.WASH ARM
450241	



	<p>100820</p> <p>Tensione: 230 V</p> <p>Frequenza: 50 Hz</p> <p>Potenza: Kw 0,45</p>
	<p>100824</p> <p>Tensione: 230 V</p> <p>Frequenza: 60 Hz</p> <p>Potenza: Kw 0,45</p>

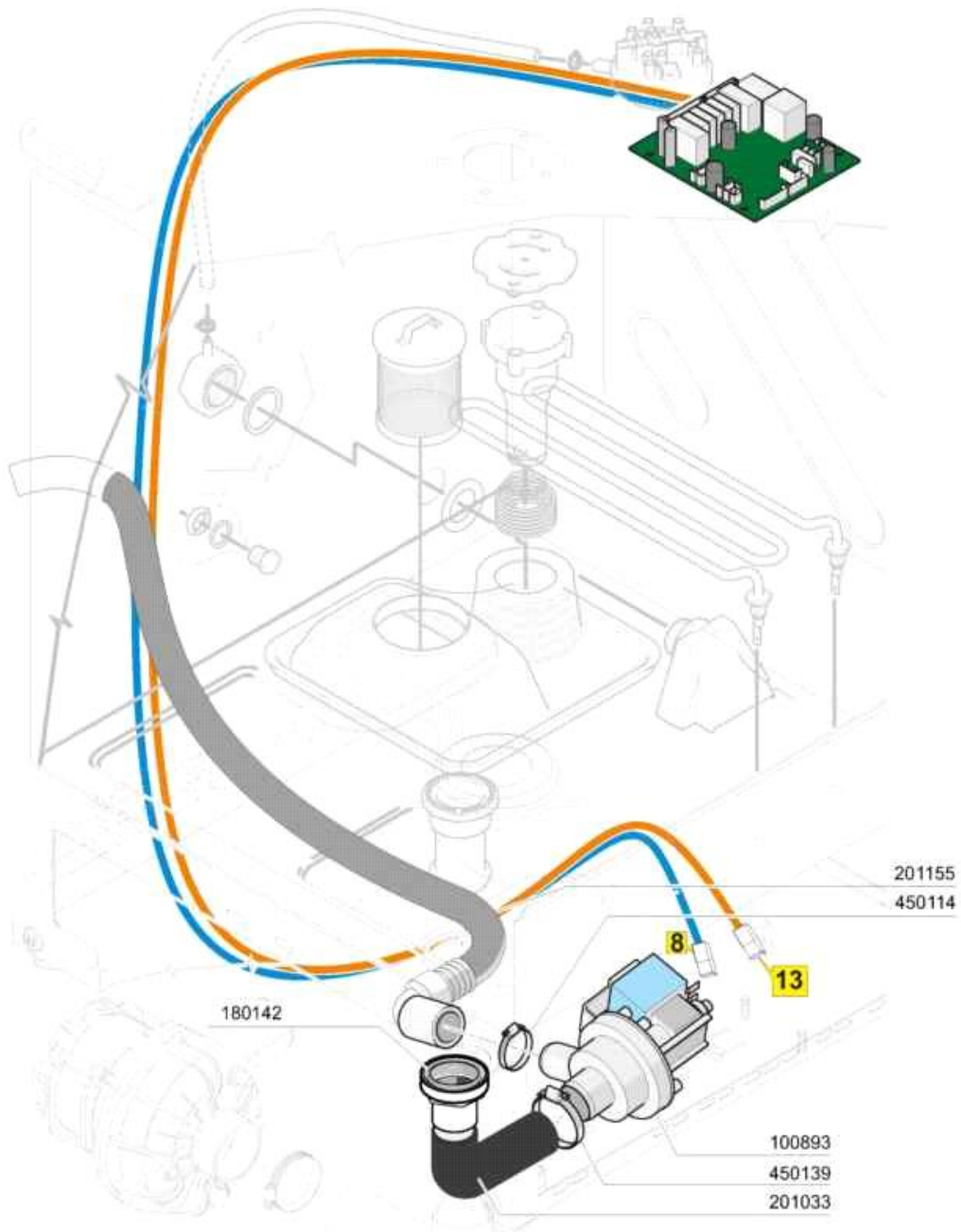
08-17 MS

Code	Description
100820	PUMP 0,6HP 220V
100824	PUMP 0,6HP 230/1/60
630141	PUMP VOLUTE LGB ZF380SX
630207	PUMP FLANGE LGB ZF350SX 230V
630431	PUMP GASKET LGBZF350SX
630536	SEAL FOR PUMP LGB350SX
631207	CONDENSER 12,5MF. 450V 85C
631703	PUMP IMPELLER ZF350SX
631710	IMPELLER 60HZ ZF350SX



08 - 2018 M. S.

Code	Description
110508	4 POLES 2m SERIAL CABLE
120356	DOOR MAGN.SWITCH
120461	CONTACTOR ABB B6-30-01 220V
120523	SAFETY THERMOSTAT 110?
120538V01	85°C TANK SAFETY THERMOST.AUTO
120960	PROBE C-G
121359V01	ELECTRONIC BOARD HAC PLUS (P7)
121361	DISPLAY PCB 7S 2x3 RED
121375	EXPANSION CARD UC14
130321	JUNCTION BOX 6 CONNECTORS
130629	PRESSURE SWITCH 1L30-12
160549	SUPPORT
200494	GASKET FOR TANKTHERMOSTAT BT
440631/1	DETERGENT INJECTOR SEKO NBR-3
463369	COMENDA PRIME LABEL
631218	ANTI-NOISE FILTER 16A L-C



08 - 2017 M. S.

Code	Description
100893	DRAIN PUMP 30W 230/50
180142	CONNECTOR FOR DRAIN PUMP
201033	DRAIN PUMP INLET HOSE 90?
201155	
450114	CLAMP FE ZN.22-32 H=12,2
450139	CLAMP 26-38 H=9