

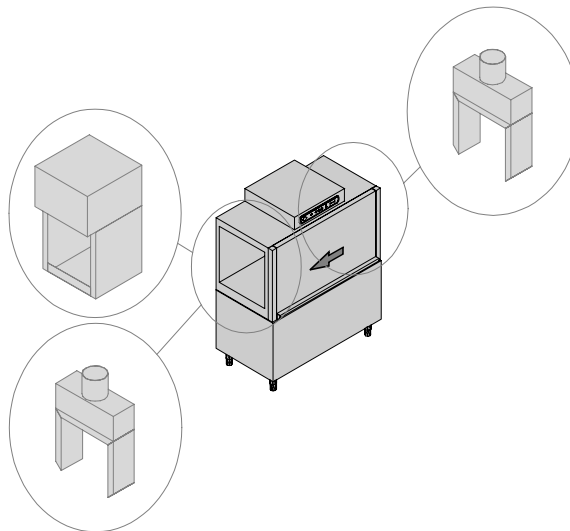
RACK CONVEYOR MACHINE

TYPE: 34

Accessories

STEAM CONDENSER - LC 81
CONVEYOR SPEED ADJUSTING- LC 101
90° MOTORIZED CHAIN CONVEYOR - LC 97/2
180° MOTORIZED CHAIN CONVEYOR - LC 97/3
DRYER WITH 90° MOTORIZED CHAIN CONVEYOR - LC 97/4
DRYER WITH 180° MOTORIZED CHAIN CONVEYOR - LC 97/5
DRYER - LC 80
ADDITIONAL BOILER FOR COLD WATER SUPPLY
DVGW VALVE SYSTEM
WATER FLOW ADJUSTING
SPLASH ZONE WITH CILINDER - LC 84
SPLASH ZONE - LC 83
TANKS INSULATION
DOUBLE SKIN
BOOSTER PUMP
DISPENSERS SYSTEM SDN-3
ANGLE LOADING TABLE - LC 98
RINSE ECONOMIZER SYSTEM

Spare parts manual



S/N:

Valid from:..11/2002

Rev.: 2.0

1. Spare parts

Control Panel.....	9
Electric parts.....	11
Electric parts.....	13
General parts	15
Economizer components	17
Curtains group components	19
Inverter	21
Time relay	23
Dryer LC 80 (6kW) - part 1	25
Dryer LC 80 (6kW) - part 2	27
Dryer LC 90/2 (12kW) - part 2	29
Dryer LC 80 (6kW) - electric components	31
Motorized curve 90° - LC 97/2	33
Dryer motorized curve 90° - LC 97/4	35
Motorized curve 90° - LC 97/2: electric parts	37
Motorized curve 90° - LC 97/2: electric parts single speed - remote control	39

Motorized curve 180° - LC 97/3	41
Dryer motorized curve 180° - LC 97/5	43
Motorized curve 180° - LC 97/3: electric parts	45
Motorized curve 180° - LC 97/3: electric parts single speed - remote control	47
Steam condenser - part 1	49
Steam condenser - part 2	51
Steam condenser - part 3	53
Additional boiler component.....	55
Additional boiler: electrical components	57
DVGW valve	59
Motorgear components	61
Washing components 4+4	63
Internal components	65
Rinsing components	67
Boiler components	69
Solenoid valves components	71
Solenoid valves components	71
Solenoid valves components with adjusting flow	73
Solenoid valves components	73

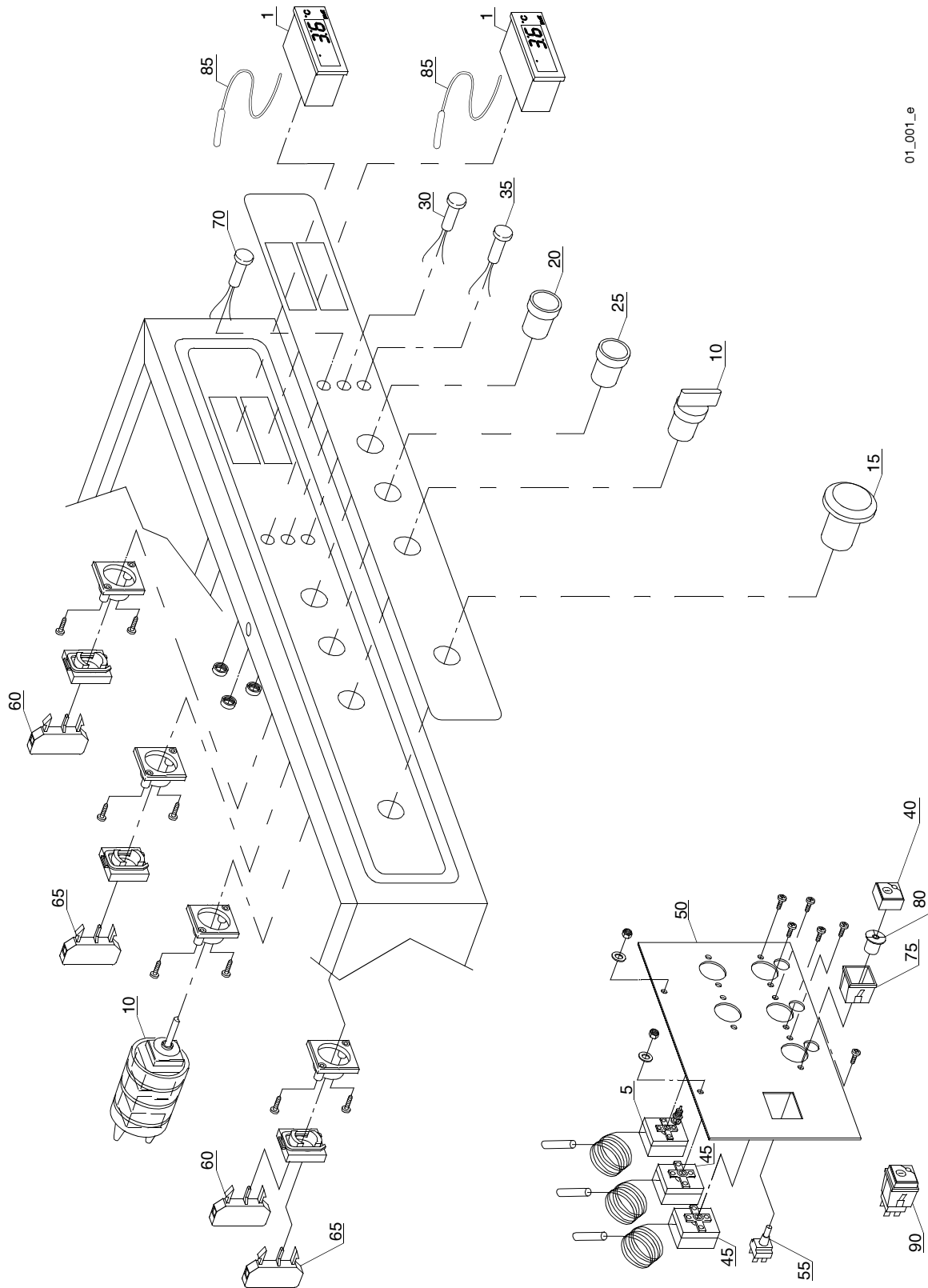
Conveyor parts	75
Splash zone with cilinder - LC 84	77
Splash zone - LC 83	79
Tank insulation	81
Double skin.....	83
Booster pump	85
Dispensers SDN-3	87
Angle loading table 90° - LC 98	89
Rinse economizer system	91
Baskets	93
Accessory	95

1.1 Voltage codes

Voltage code	Voltage
A	3/N/PE~400/230V 50Hz
B	~250V 16A 50Hz
C	3/N/PE~380/220V 50Hz
D	3/PE~200V 50-60Hz
F	2/PE 220-240V 50Hz
G	3/N/PE~415/240V 50Hz
H	3/PE~230V 50Hz
I	3/PE~220V 60Hz
J	3/PE~380 50Hz
K	3/PE~400V 50Hz
L	3/PE~415V 50Hz
M	3/PE~440V 60Hz
N	3/PE~460V 60Hz
O	3/PE~480V 60Hz
P	1/N/PE~220-240V 50Hz
R	2/PE~220-230V 60Hz
S	3/N/PE~400/230V 50Hz
T	3/PE~230V 60Hz

1.2 Product codes

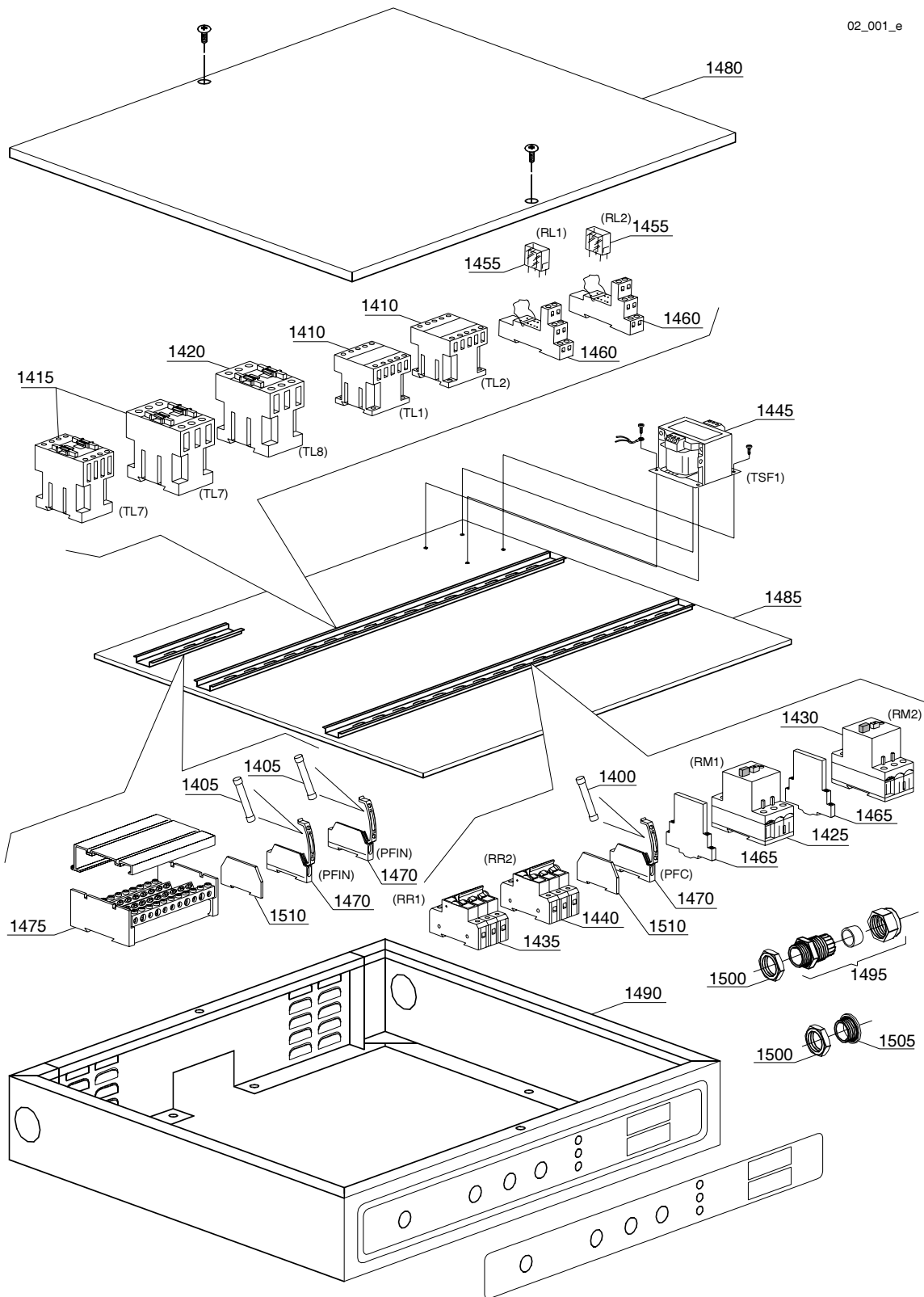
Product code	Full name
Model codes	
Type codes	
34	34
Accessory codes	
sc8	STEAM CONDENSER - LC 81
csa	CONVEYOR SPEED ADJUSTING- LC 101
972	90° MOTORIZED CHAIN CONVEYOR - LC 97/2
973	180° MOTORIZED CHAIN CONVEYOR - LC 97/3
974	DRYER WITH 90° MOTORIZED CHAIN CONVEYOR - LC 97/4
975	DRYER WITH 180° MOTORIZED CHAIN CONVEYOR - LC 97/5
d8	DRYER - LC 80
cw	ADDITIONAL BOILER FOR COLD WATER SUPPLY
dvgw	DVGW VALVE SYSTEM
wfa	WATER FLOW ADJUSTING
des	DETERGENT ECONOMIZER SYSTEM
szc8	SPLASH ZONE WITH CILINDER - LC 84
sz8	SPLASH ZONE - LC 83
ti	TANKS INSULATION
ds	DOUBLE SKIN
bp	BOOSTER PUMP
sdn3	DISPENSERS SYSTEM SDN-3
98	ANGLE LOADING TABLE - LC 98
res	RINSE ECONOMIZER SYSTEM



01_001_e

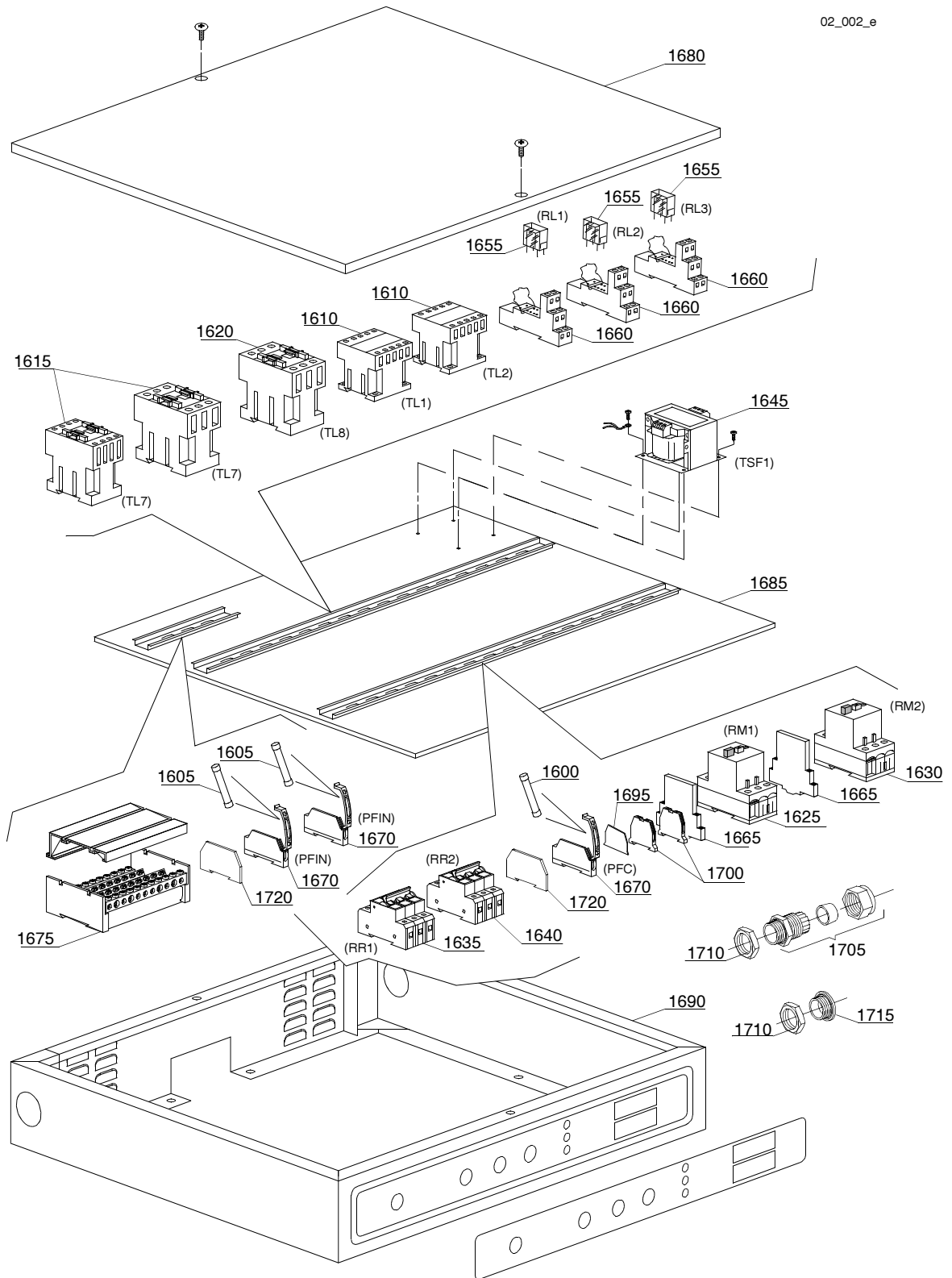
Spare parts

ID	P-code	Model	Type	Accessory	Voltage	Description
MODULE:Control Panel						
1	2000402		34			Thermometer
5	2000430		34			Safety thermostat
10	3002031		34			Selector with knob
15	3002050		34			Emergency button
20	3002053		34			Push button green
25	3002055		34			Button red
30	3002065		34			Signal light red
35	3002067		34			Signal light yellow
40	15874		34			Green main switch
45	10707/1		34			Thermostat 0 - 90° (TB2)
50	3009114		34			Assembly plate
55	15812		34			Starter electric component
60	3002054		34			Green contact piece (NO)
65	3002056		34			Red contact piece (NC)
70	3002066		34			Signal light green
75	15815		34			Support square single
80	15824		34			Green-orange cam
85	2000401		34			Thermometer probe
90	15849		34			Switch assembly (PM2)



Spare parts

ID	P-code	Model	Type	Accessory	Voltage	Description
MODULE:Electric parts						
1400	15160		34		A	Fuse 5x20 10A
1405	15163		34		A	Fuse 5x20 1A
1410	2000370		34		A	Contactora MC9
1415	2000380		34		A	Contactora BF12 (heating element < 9 kW)
1415	2000385		34		A	Contactora BF20 (heating element > 9 kW)
1420	2000385		34		A	Contactora BF20
1425	2000390		34		A	Motorprotector 1 - 1.6A
1430	2000400		34		A	Motorprotector 4 - 6.3A
1435	2000403		34		A	Automatic fuse C20 (heating element < 9kW)
1435	2000404		34		A	Automatic fuse C25 (heating element > 9kW)
1440	2000403		34		A	Automatic fuse C20 (heating element < 9kW)
1440	2000404		34		A	Automatic fuse C25 (heating element > 9kW)
1445	3006061		34		A	Transformer 200VA
1445	3006060		34		A	Transformer 160VA
1455	3006078		34		A	Relay
1460	3006079		34		A	Base for relay
1465	3006080		34		A	Auxiliary contact LMS25
1470	3006147		34		A	Fuse holder
1475	3006154		34		A	Terminal board
1480	3009457		34		A	Control panel cover
1485	3009458		34		A	Electric parts pannel
1490	3019033		34		A	Comand parts pannel
1495	80419		34		A	Cable-fastener PG29
1500	80420		34		A	Lock nut
1505	80421		34		A	Plug PG29
1510	3006144		34		A	Fuse holder covering plate

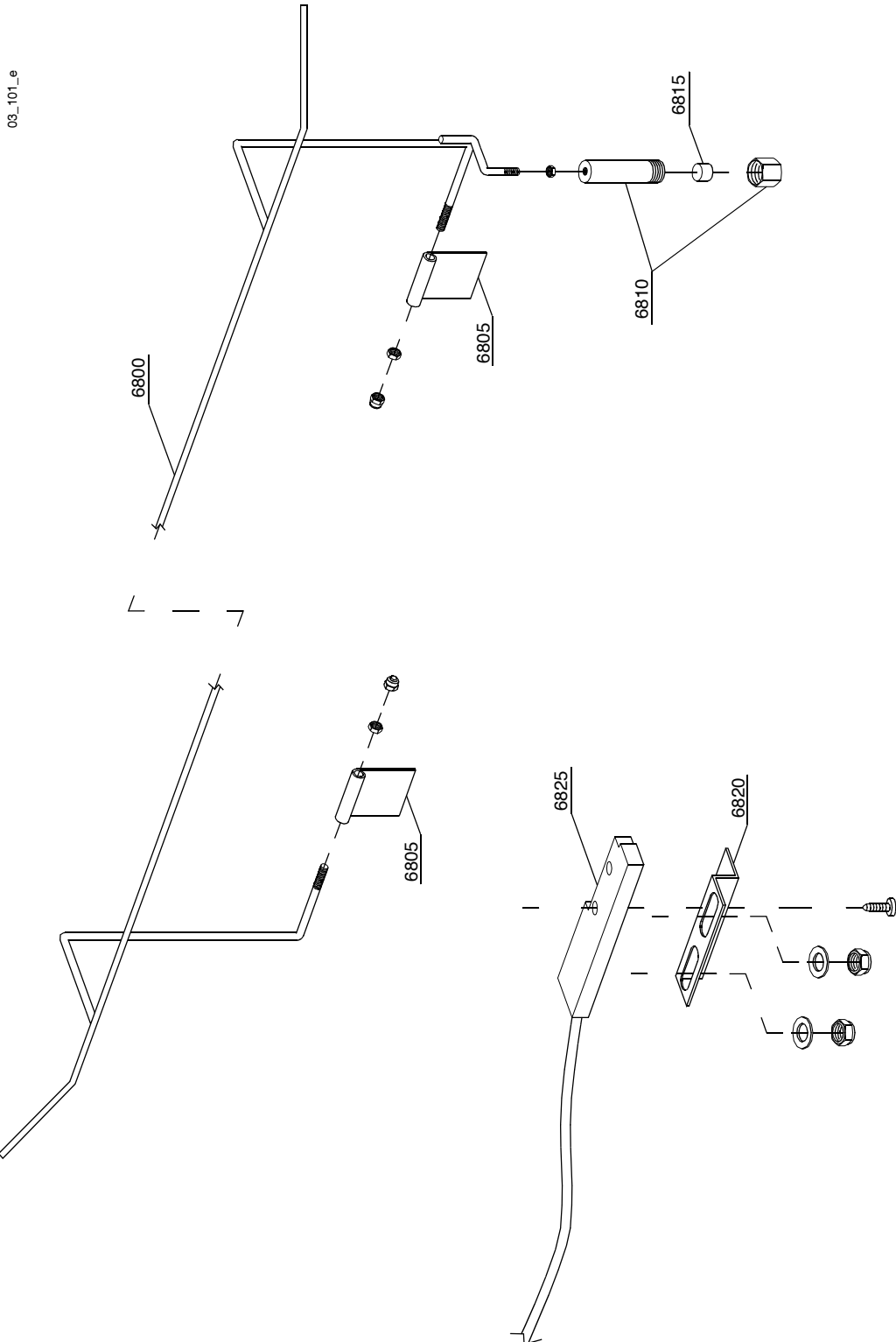


Spare parts

ID	P-code	Model	Type	Accessory	Voltage	Description
MODULE:Electric parts						
1600	15160		34	res	A	Fuse 5x20 10A
1605	15163		34	res	A	Fuse 5x20 1A
1610	2000370		34	res	A	Contactactor MC9
1615	2000380		34	res	A	Contactactor BF12 (heating element < 9 kW)
1615	2000385		34	res	A	Contactactor BF20 (heating element > 9 kW)
1620	2000385		34	res	A	Contactactor BF20
1625	2000390		34	res	A	Motorprotector 1 - 1.6A
1630	2000400		34	res	A	Motorprotector 4 - 6.3A
1635	2000403		34	res	A	Automatic fuse C20 (heating element < 9kW)
1635	2000404		34	res	A	Automatic fuse C25 (heating element > 9kW)
1640	2000403		34	res	A	Automatic fuse C20 (heating element < 9kW)
1640	2000404		34	res	A	Automatic fuse C25 (heating element > 9kW)
1645	3006061		34	res	A	Transformer 200VA
1645	3006060		34	res	A	Transformer 160VA
1655	3006078		34	res	A	Relay
1660	3006079		34	res	A	Base for relay
1665	3006080		34	res	A	Auxiliary contact LMS25
1670	3006147		34	res	A	Fuse holder
1675	3006154		34	res	A	Terminal board
1680	3009457		34	res	A	Control panel cover
1685	3009458		34	res	A	Electric parts pannel
1690	3019033		34	res	A	Comand parts pannel
1695	3006083		34	res	A	Clamp covering plate 4mm
1700	3006092		34	res	A	Clamp 4mm
1705	80419		34	res	A	Cable-fastener PG29
1710	80420		34	res	A	Lock nut
1715	80421		34	res	A	Plug PG29
1720	3006144		34	res	A	Fuse holder covering plate

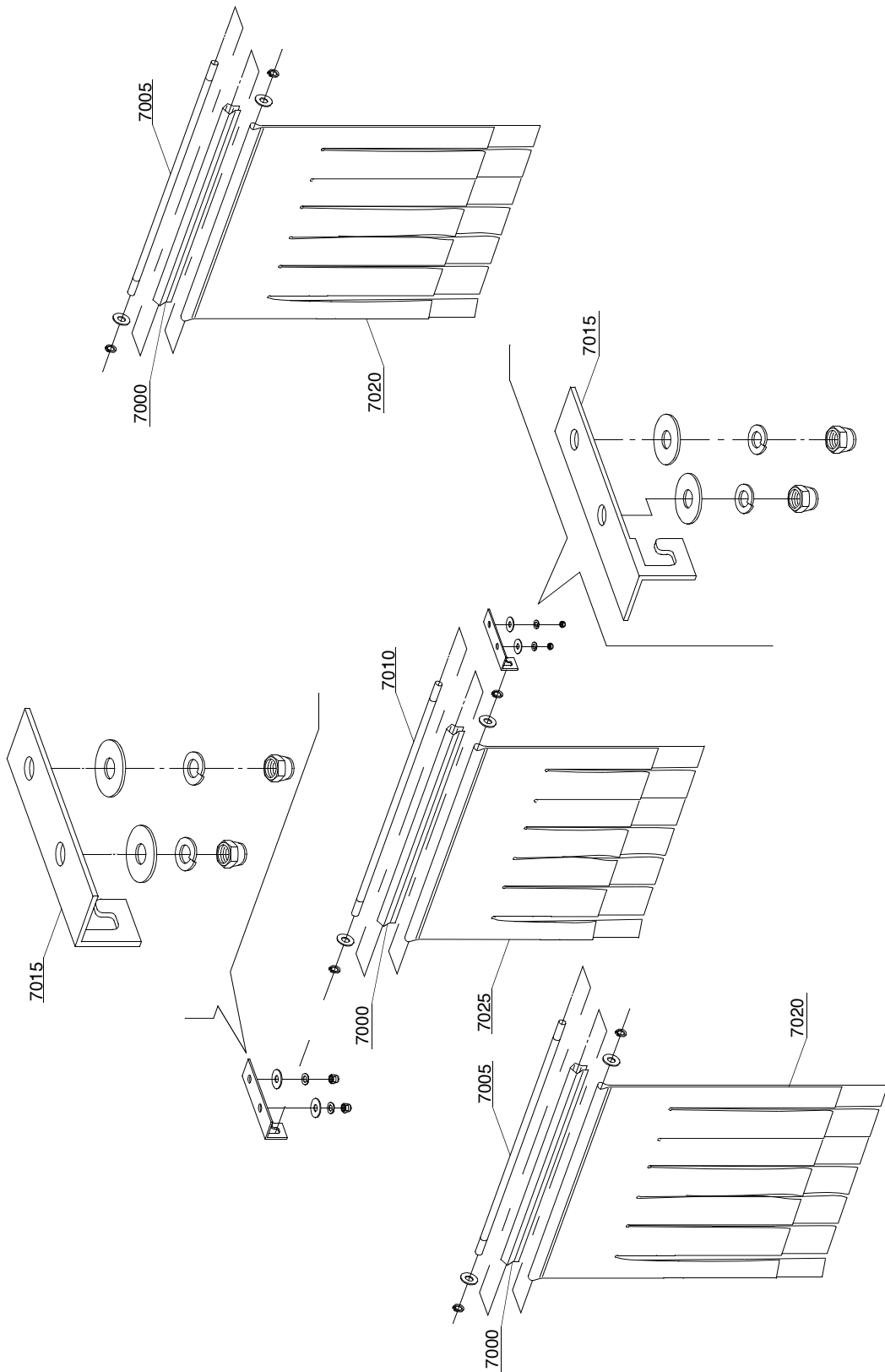
Spare parts

ID	P-code	Model	Type	Accessory	Voltage	Description
MODULE:General parts						
4200	3009322		34			Rear cover
4205	3009909		34			Spring support
4210	3004012		34			Spring holder
4225	3009555		34			Spring clamping plate
4230	3004010		34			Door spring BBSR 21
4235	3009269		34			Door stop
4240	3009576		34			Door assembly
4245	3004026		34			Door guide
4250	3003958		34			Pin
4255	3009523		34			Pluggin panel left
4260	3009534		34			Pluggin panel right
4265	3009173		34			Rear panel
4270	3009191		34			Cover left
4275	3009190		34			Cover right
4280	3009465		34			Front cover
4285	3009112		34			Microswitch support
4290	3003112		34			Door microswitch
4295	80116		34			Foot
4300	3009549		34			Side panel
4305	13329		34			Fairlead
4310	3009033		34			Slideways
4315	3009907		34			Spring assembly BBSR 21



Spare parts

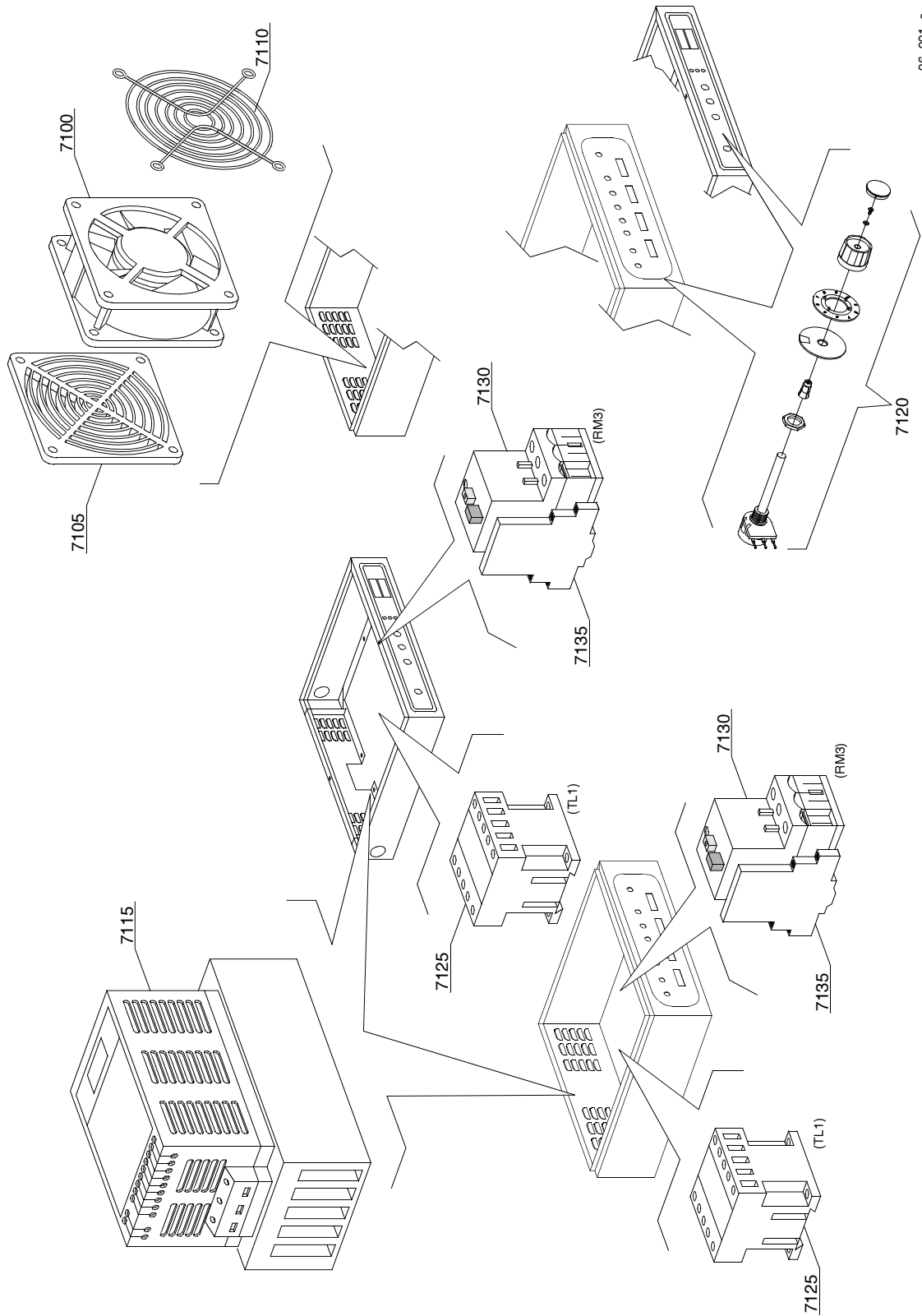
ID	P-code	Model	Type	Accessory	Voltage	Description
MODULE:Economizer components						
6800	3004077		34			Rack switch arm
6805	3003061		34			Economizer support
6810	3003058		34			Magnet holder
6815	3003113		34			Magnet
6820	3009112		34			Economizer microswitch support
6825	3003112		34			Economizer microswitch



08_201_e

Spare parts

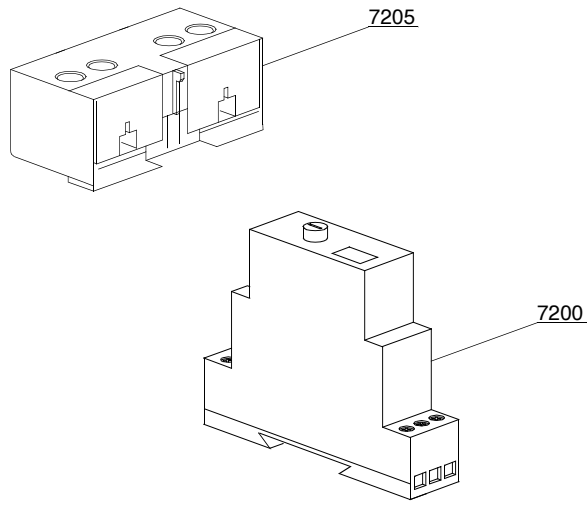
ID	P-code	Model	Type	Accessory	Voltage	Description
MODULE: Curtains group components						
7000	3009109		34			Curtain moulding
7005	3004053		34			Curtain rod short
7010	3004052		34			Curtain rod long
7015	3009110		34			Curtain support
7020	3004050		34			Curtain long
7025	3004051		34			Curtain short



06_001_e

Spare parts

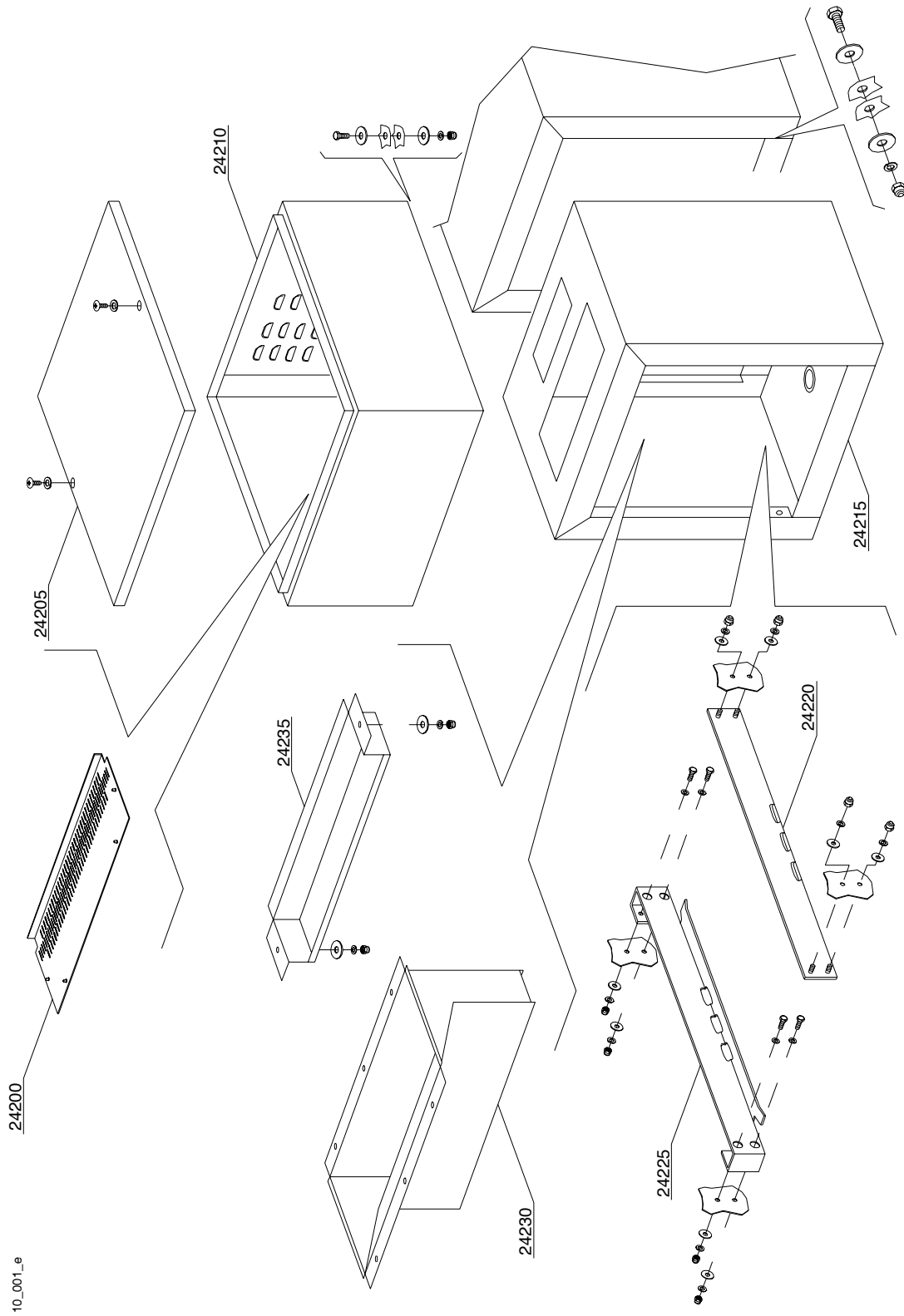
ID	P-code	Model	Type	Accessory	Voltage	Description
MODULE:Inverter						
7100	3000118		34	csa	A	Impeller fan
7105	3000118/A		34	csa	A	Filter
7110	3000118/B		34	csa	A	Grid
7115	3000117		34	csa	A	Inverter 0,37kW
7120	3000119		34	csa	A	Potentiometer with knob
7125	2000370		34	csa	A	Contactora MC9
7130	2000400		34	csa	A	Motorprotector 4-6,3A
7135	3006080		34	csa	A	Auxiliary contact LMS25



07_001_e

Spare parts

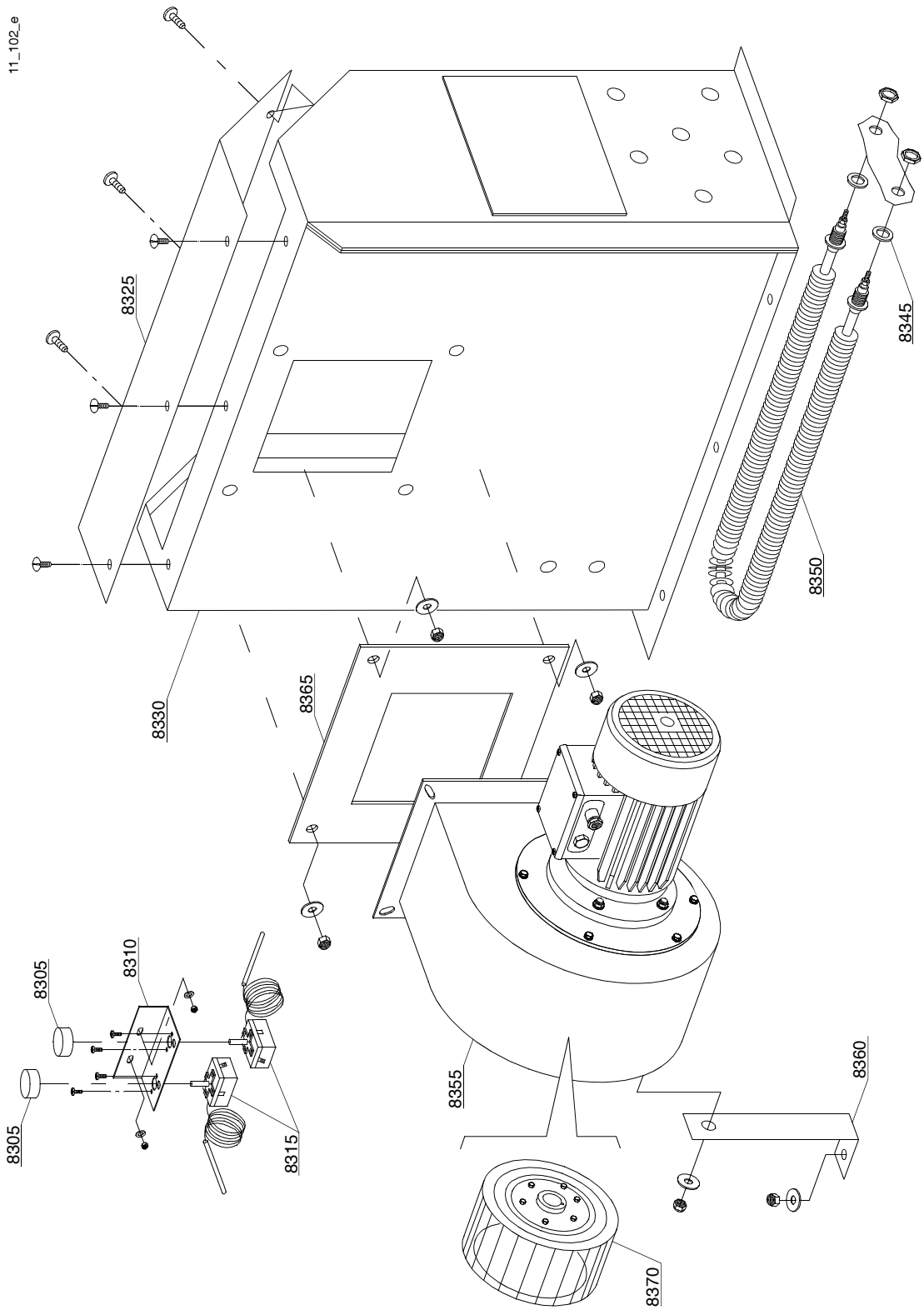
ID	P-code	Model	Type	Accessory	Voltage	Description
MODULE:Time relay						
7200	3006225		34	sc8,d8,d94,974,975	A	Time relay 24V
7205	3006068		34	sc8,d8,d94,974,975	A	MC9 auxiliary contact 1NO-1NC
7205	3002057		34	sc8,d8,d94,974,975	A	MC9 auxiliary contact 2NO
7205	3002052		34	sc8,d8,d94,974,975	A	MC9 auxiliary contact 2NC



10_001_e

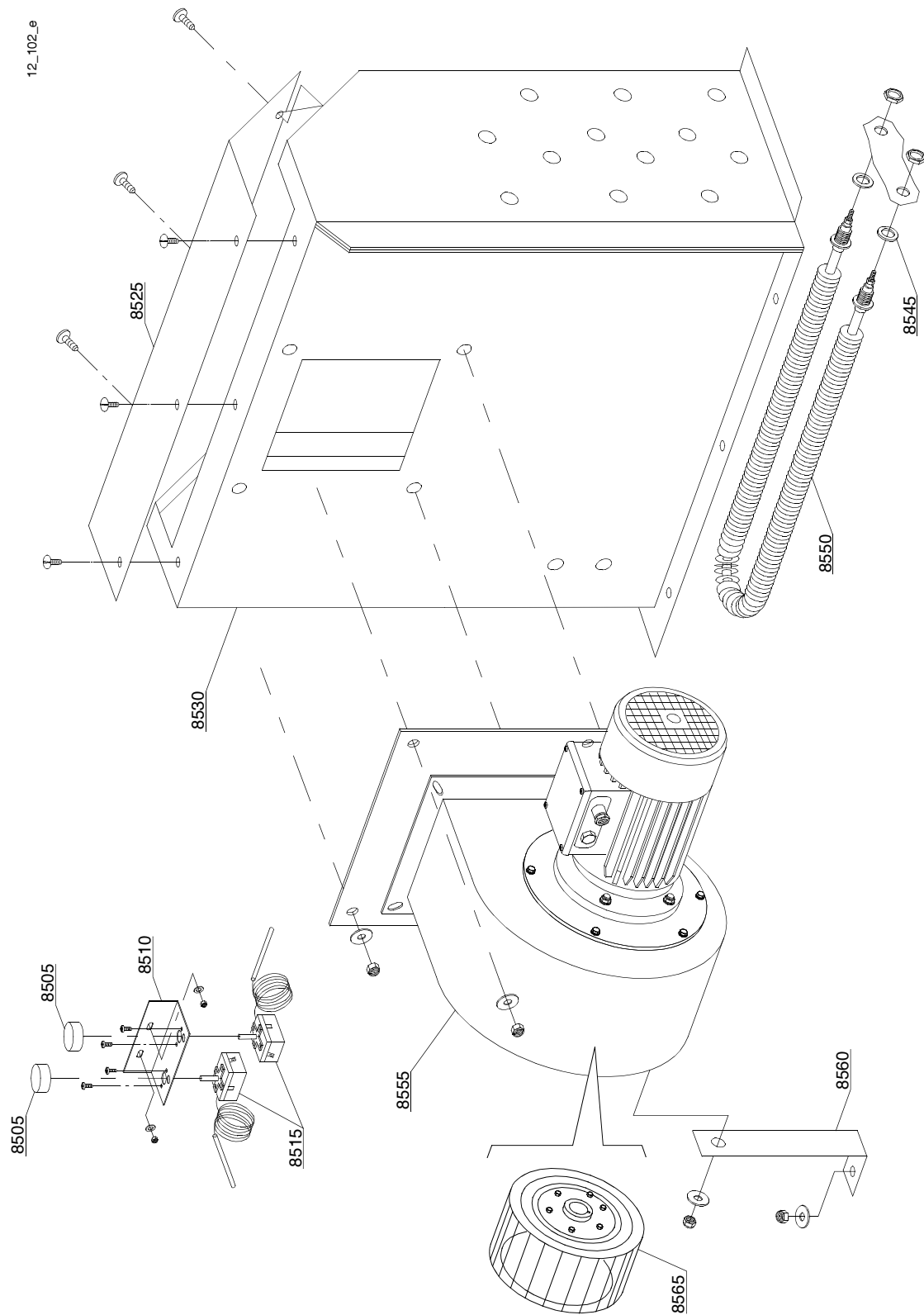
Spare parts

ID	P-code	Model	Type	Accessory	Voltage	Description
MODULE:Dryer LC 80 (6kW) - part 1						
24200	3009564		34	d8		Protection/Splash guard
24205	3009267		34	d8		Cover panel
24210	3009569		34	d8		Complete body
24215	3009574		34	d8		Dryer module
24220	3009381		34	d8		Front slideways
24225	3009525		34	d8		Back slideways
24230	3009492		34	d8		Flow conveyor
24235	3009540		34	d8		Protection/Splash guard



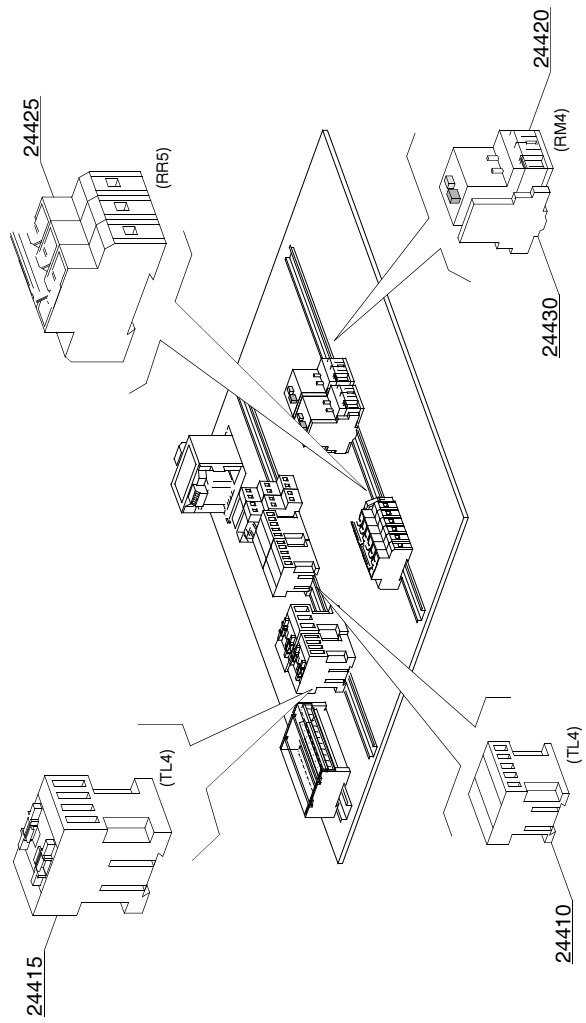
Spare parts

ID	P-code	Model	Type	Accessory	Voltage	Description
MODULE:Dryer LC 80 - (6kW) - part 2						
8305	15105/A		34	d8		Thermostat knob
8310	3009104		34	d8		Themostat support
8315	10707/2		34	d8		Thermostat with shaft 0 - 90°
8325	3009085		34	d8		Cover drying conveyor
8330	3009486		34	d8		Right drying conveyor
8330	3009487		34	d8		Left drying conveyor
8345	10200171		34	d8		Gasket FASIT 25x17x2
8350	2000359		34	d8		Drying heating element with nut
8355	3000300		34	d8	A	Motorfan 0,55 kW
8360	3009214		34	d8		Motorfan support
8365	3009275		34	d8		Flange
8370	3000308		34	d8		Pump rotor



Spare parts

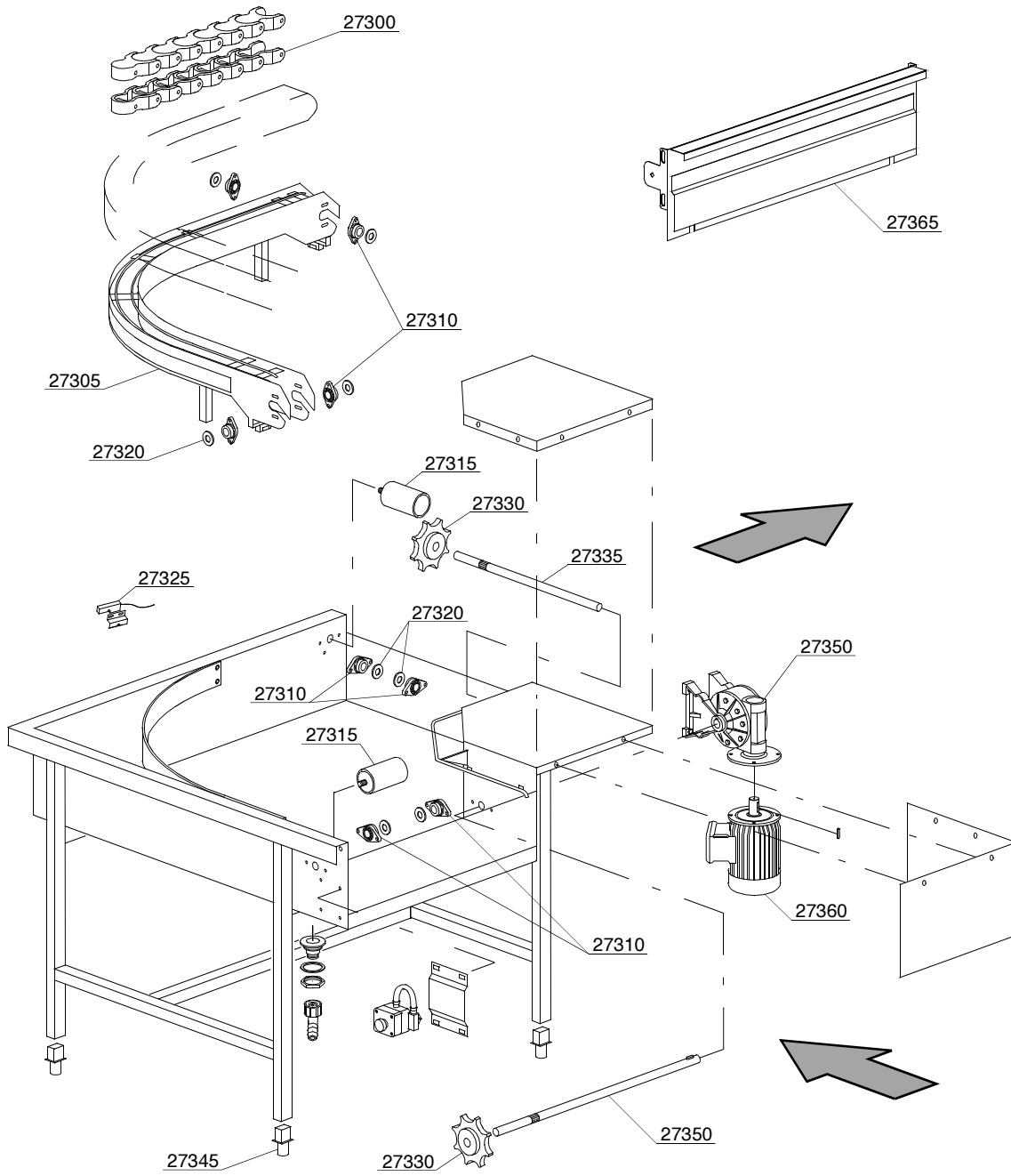
ID	P-code	Model	Type	Accessory	Voltage	Description
MODULE:Dryer LC 90/2 (12kW) - part 2						
8505	15105/A		34	974,975		Thermostat knob
8510	3009104		34	974,975		Thermostat support
8515	10707/2		34	974,975		Thermostat with shaft 0 - 90°
8525	3009085		34	974,975		Cover drying conveyor
8530	3009488		34	974,975		Right drying conveyor
8530	3009489		34	974,975		Left drying conveyor
8545	10200171		34	974,975		Gasket FASIT 25x17x2
8550	2000359		34	974,975		Drying heating element with nut
8555	3003118		34	974,975		Motorfan 0.75 kW
8555	3000301		34	974,975		Motorfan 1,5 kW
8560	3009214		34	974,975		Motorfan support
8565	3003119		34	974,975		Pump rotor



10_201_e

Spare parts

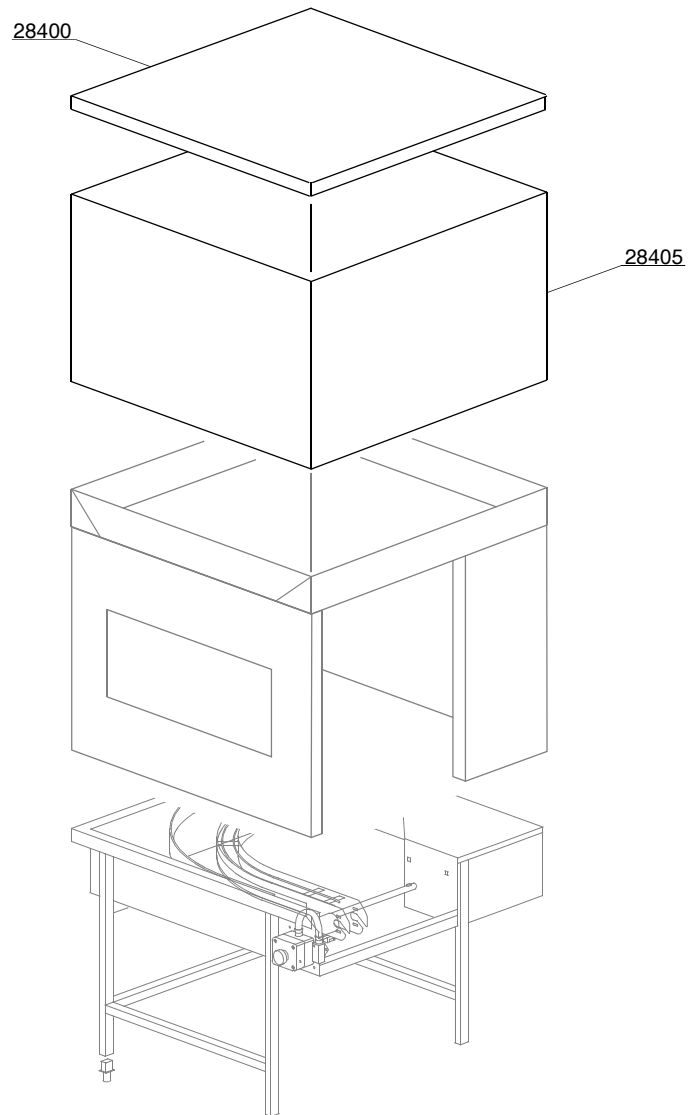
ID	P-code	Model	Type	Accessory	Voltage	Description
MODULE:Dryer LC 80 (6kW) - electric components						
24410	2000370		34	d8	A	Contactora MC9
24415	2000380		34	d8	A	Contactora BF12 (LC90 - 6kW)
24420	2000394		34	d8	A	Motorprotector 2,5-4A (Motorfan 0,75 kW)
24425	2000403		34	d8	A	Automatic fuse C16 (LC90 - 6kW)
24430	3006080		34	d8	A	Auxiliary contact LMS25



15_001_e

Spare parts

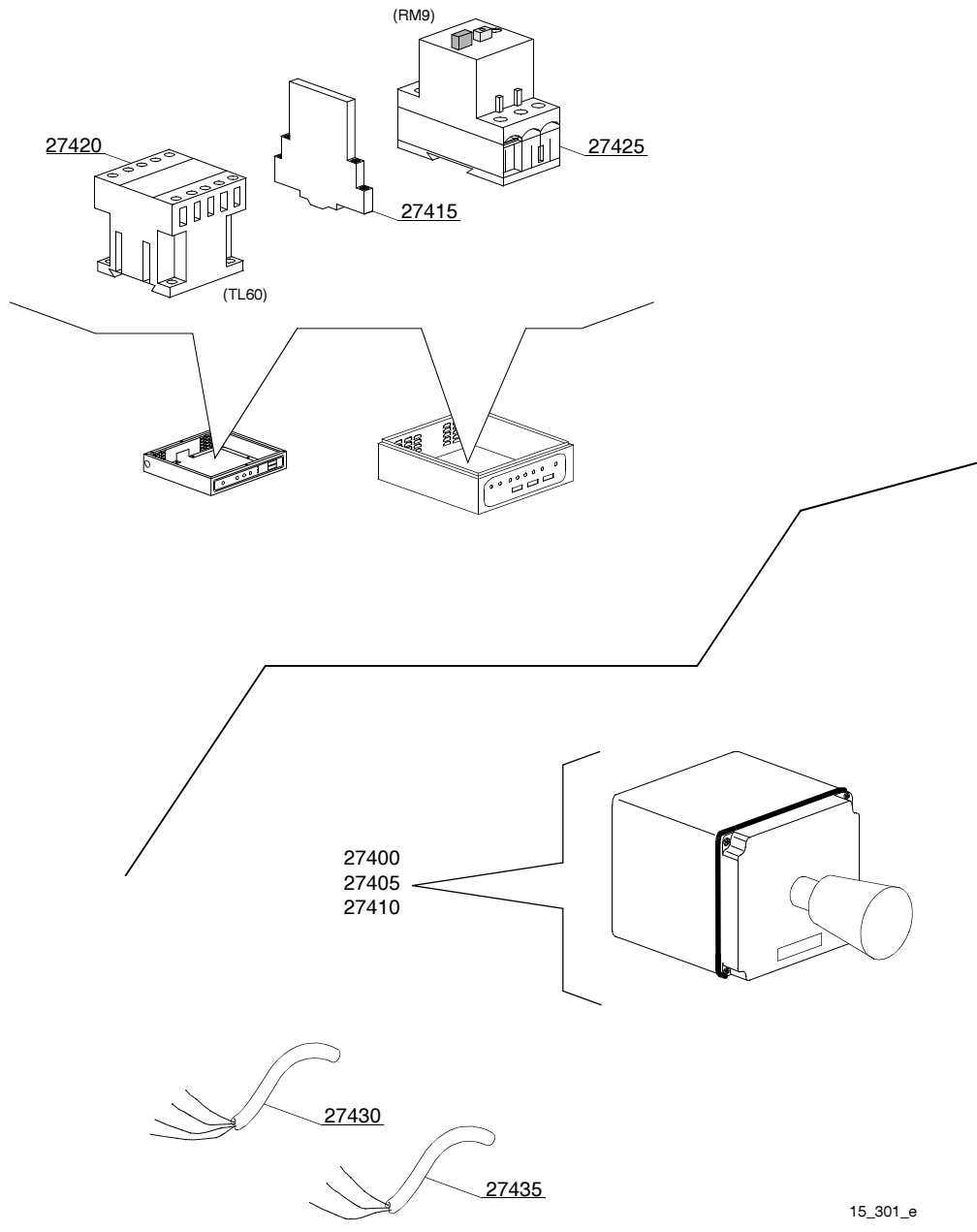
ID	P-code	Model	Type	Accessory	Voltage	Description
MODULE:Motorized curve 90° - LC 97/2						
27300	3000259		34	972,974		Chain for roller
27305	3003057		34	972,974		Kit guide for chain
27310	3000260		34	972,974		Flange for chain
27315	3000262		34	972,974		Ø50x80 embossment roller
27320	3003048		34	972,974		Spacer for bearings
27325	3003112		34	972,974		Door microswitch
27330	3000261		34	972,974		8 teeth pinion
27335	3003050		34	972,974		Neutral shaft for chain
27345	3000252		34	972,974		Adjustable food
27350	3003047		34	972,974		Shaft for chain rotation
27350	3000254		34	972,974		Gear right 1:100
27360	3000102		34	972,974	A	Conveyor motor
27360	3000251		34	972,974	A	Conveyor motor
27365	3009657		34	972,974		Adapter



15_101_e

Spare parts

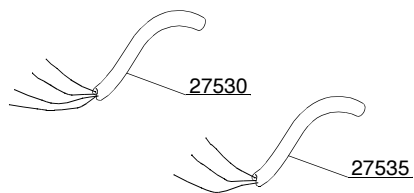
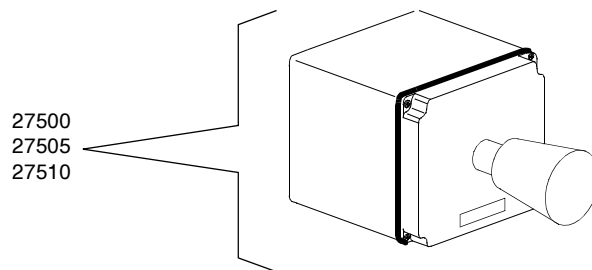
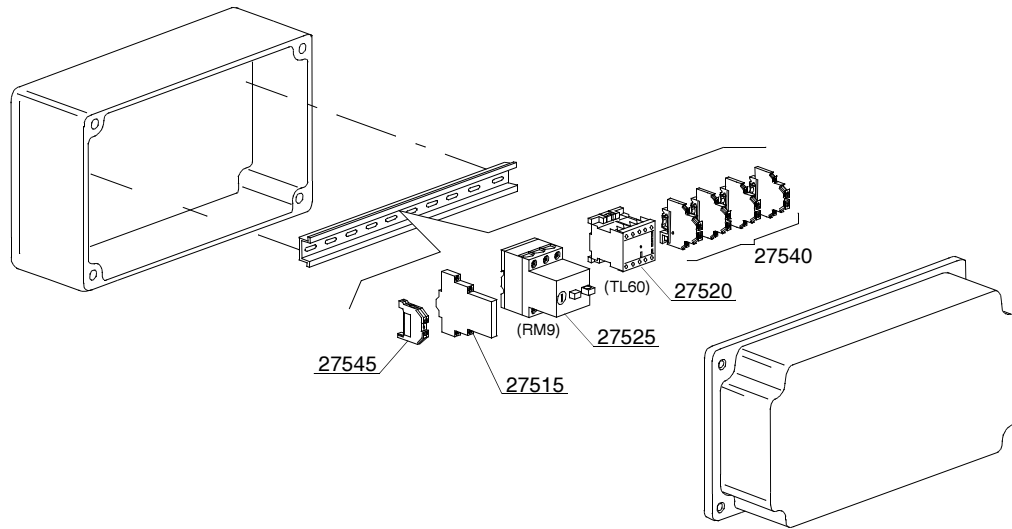
ID	P-code	Model	Type	Accessory	Voltage	Description
MODULE:Dryer motorized curve 90° - LC 97/4						
28400	3009326		34	974		Cover panel
28405	3009511		34	974		Carter



15_301_e

Spare parts

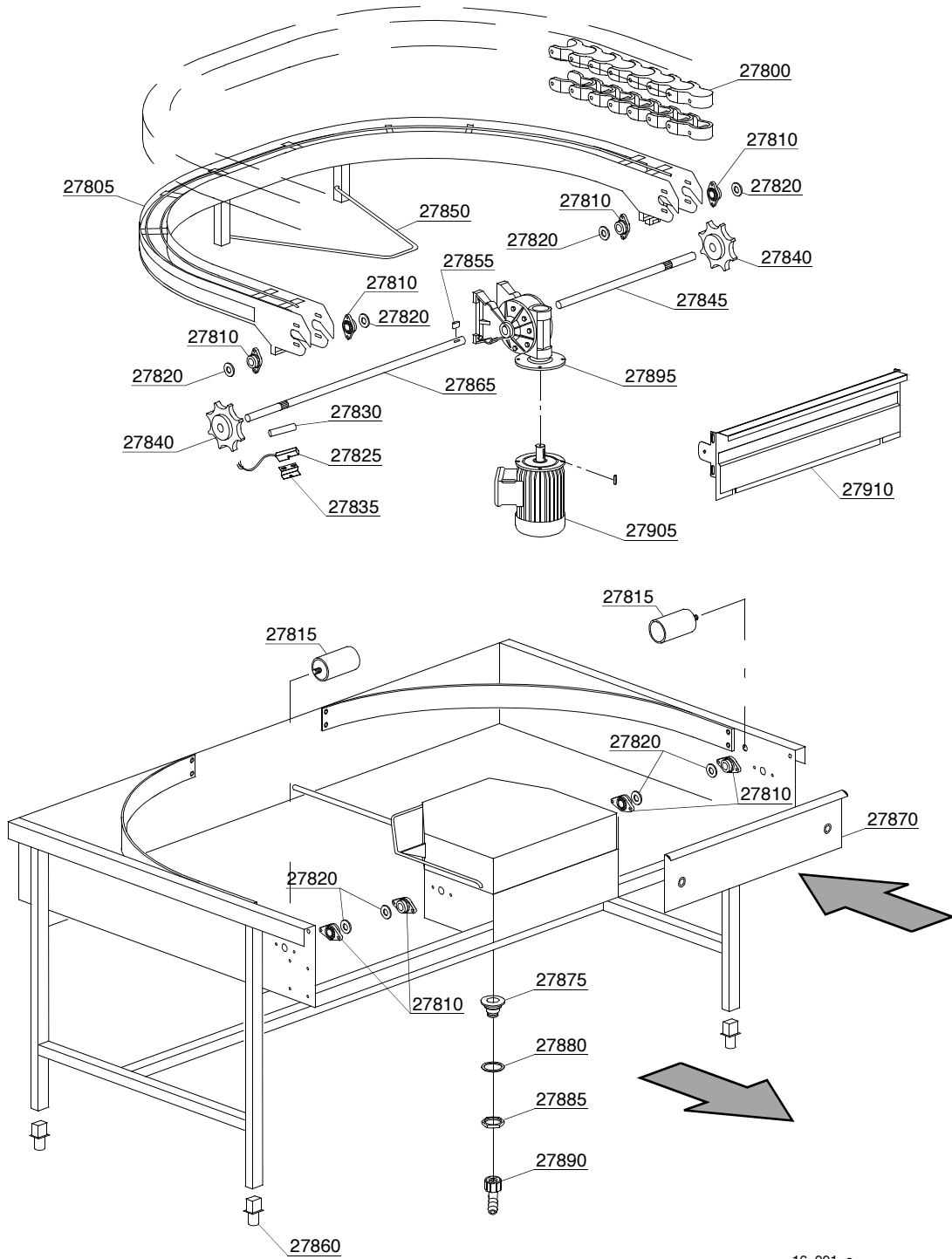
ID	P-code	Model	Type	Accessory	Voltage	Description
MODULE:Motorized curve 90° - LC 97/2: electric parts						
27400	3000264		34	972,974		Emergency box
27405	3000263		34	972,974		Emergency switch
27410	3002059		34	972,974		1R contact
27415	3006080		34	972,974		Auxiliary contact LMS25
27420	2000370		34	972,974		Contactore MC9
27425	2000390		34	972,974		Motorprotector 1 - 1.6A
27430	3006134		34	972,974		Flame-retardant cable 4x1,5mm
27435	3006136		34	972,974		Flame-retardant cable 3x1mm



15_302_e

Spare parts

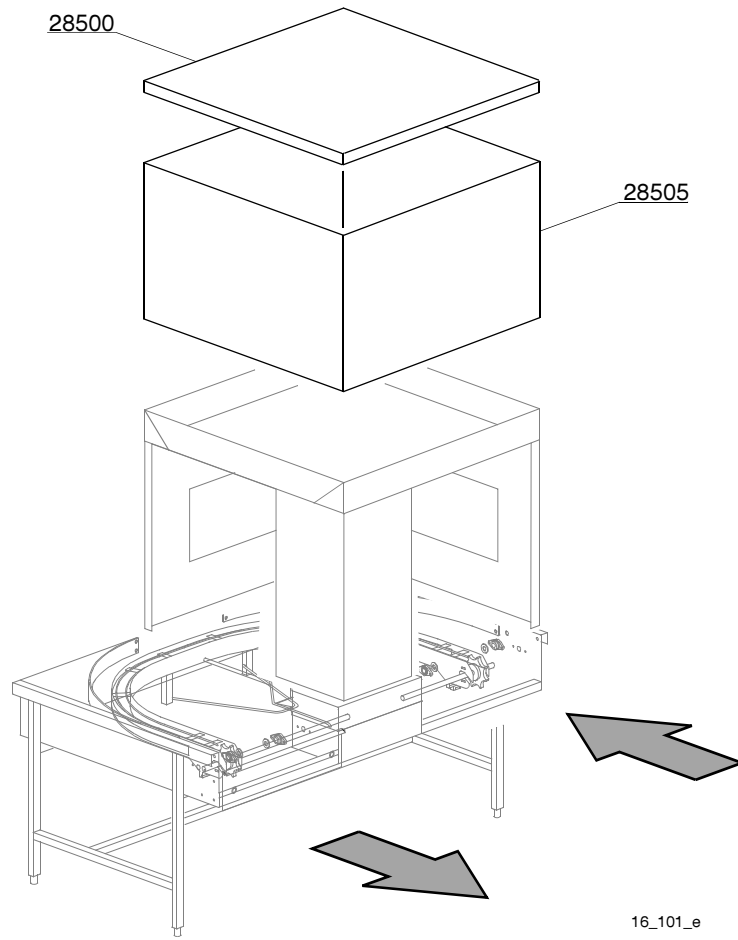
ID	P-code	Model	Type	Accessory	Voltage	Description
MODULE:Motorized curve 90° - LC 97/2: electric parts single speed - remote control						
27500	3000264		34	972,974		Emergency box
27505	3000263		34	972,974		Emergency switch
27510	3002059		34	972,974		1R contact
27515	3006080		34	972,974		Auxiliary contact LMS25
27520	2000370		34	972,974		Contacto MC9
27525	2000390		34	972,974		Motorprotector 1 - 1.6A
27530	3006134		34	972,974		Flame-retardant cable 4x1,5mm
27535	3006136		34	972,974		Flame-retardant cable 3x1mm
27540	3006092		34	972,974		Clamp 4mm
27545	10300401		34	972,974		Earth clamp 4mm



16_001_e

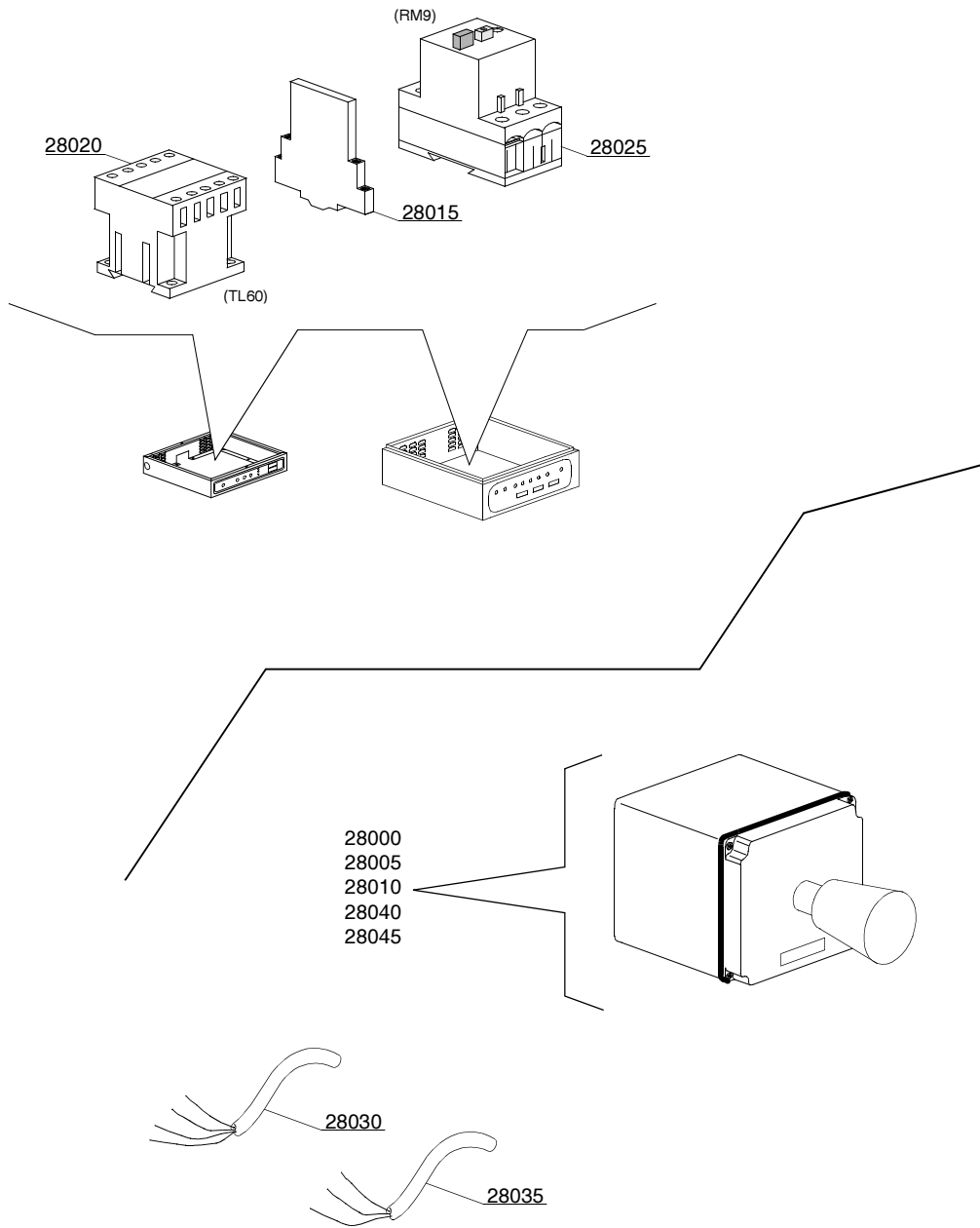
Spare parts

ID	P-code	Model	Type	Accessory	Voltage	Description
MODULE:Motorized curve 180° - LC 97/3						
27800	3000259		34	973,975		Chain for roller
27805	3003056		34	973,975		Kit guide for chain
27810	3000260		34	973,975		Flange for chain
27815	3000262		34	973,975		Ø50x80 embossment roller
27820	3003048		34	973,975		Spacer for bearings
27825	3003112		34	973,975		Door microswitch
27830	80232		34	973,975		Magnet for reed
27835	3009112		34	973,975		Holder for reed micro door
27840	3000261		34	973,975		8 teeth pinion
27845	3003051		34	973,975		Neutral shaft for chain
27850	3003053		34	973,975		Lifting arm for chain guide
27855	2001045		34	973,975		6x6x25 machine key
27860	3000252		34	973,975		Adjustable food
27865	3003047		34	973,975		Shaft for chain rotation
27870	3009609		34	973,975		Protection panel
27875	10200113		34	973,975		Floor drain
27880	10200173		34	973,975		75x58x2 gasket
27885	10200114		34	973,975		Drain floor nut
27890	15613		34	973,975		"1"" 1/4x30 nylon elbow"
27895	3000254		34	973,975		Gear right 1:100
27905	3000102		34	973,975	A	Conveyor motor
27905	3000251		34	973,975	A	Conveyor motor
27910	3009657		34	973,975		Adapter



Spare parts

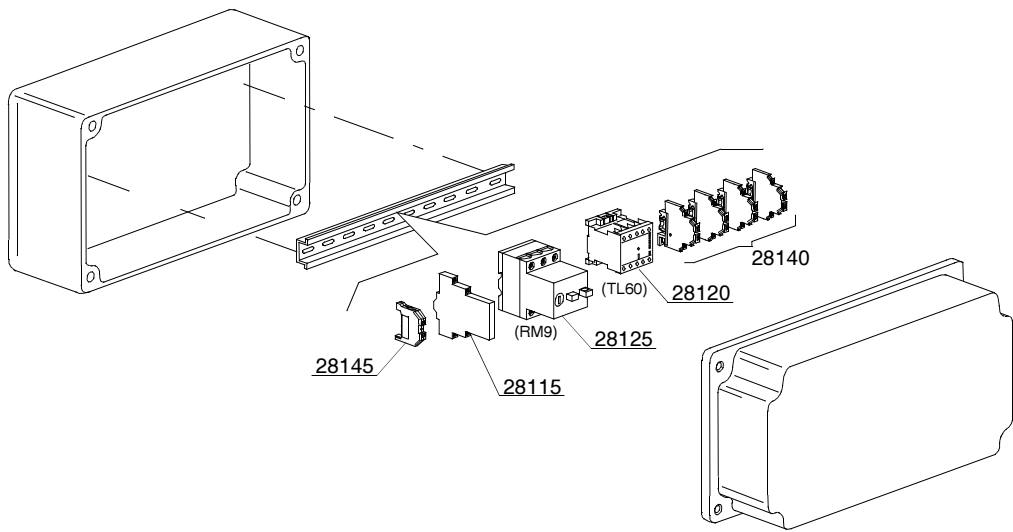
ID	P-code	Model	Type	Accessory	Voltage	Description
MODULE:Dryer motorized curve 180° - LC 97/5						
28500	3009326		34	975		Cover panel
28505	3009511		34	975		Carter



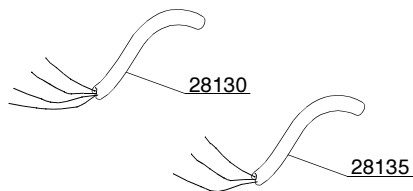
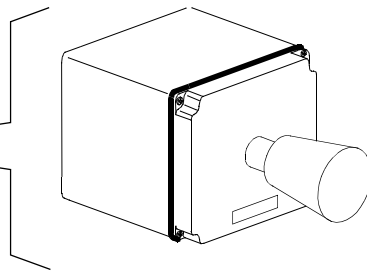
16_301_e

Spare parts

ID	P-code	Model	Type	Accessory	Voltage	Description
MODULE:Motorized curve 180° - LC 97/3: electric parts						
28000	3000264		34	973,975		Emergency box
28005	3000263		34	973,975		Emergency switch
28010	3002059		34	973,975		1R contact
28015	3006080		34	973,975		Auxiliary contact LMS25
28020	2000370		34	973,975		Contacto MC9
28025	2000390		34	973,975		Motorprotector 1 - 1.6A
28030	3006134		34	973,975		Flame-retardant cable 4x1,5mm
28035	3006136		34	973,975		Flame-retardant cable 3x1mm
28040	3000266		34	973,975		Male connector with support
28045	3000267		34	973,975		Female connector with support



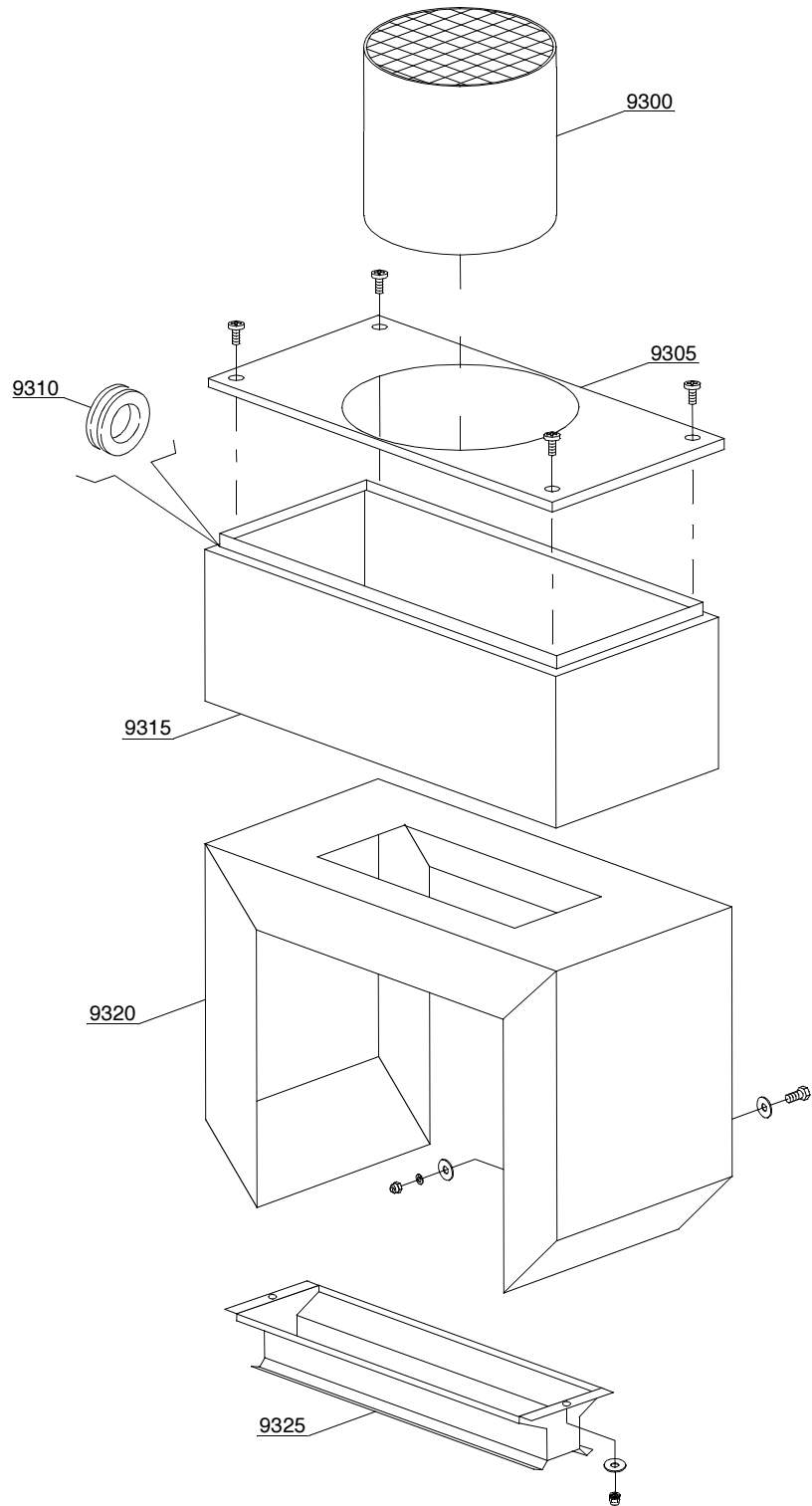
- 28100
- 28105
- 28110
- 28150
- 28155



16_302_e

Spare parts

ID	P-code	Model	Type	Accessory	Voltage	Description
MODULE:Motorized curve 180° - LC 97/3: electric parts single speed - remote control						
28100	3000264		34	973,975		Emergency box
28105	3000263		34	973,975		Emergency switch
28110	3002059		34	973,975		1R contact
28115	3006080		34	973,975		Auxiliary contact LMS25
28120	2000370		34	973,975		Contacteur MC9
28125	2000390		34	973,975		Motorprotector 1 - 1.6A
28130	3006134		34	973,975		Flame-retardant cable 4x1,5mm
28135	3006136		34	973,975		Flame-retardant cable 3x1mm
28140	3006092		34	973,975		Clamp 4mm
28145	10300401		34	973,975		Earth clamp 4mm
28150	3000266		34	973,975		Male connector with support
28155	3000267		34	973,975		Female connector with support

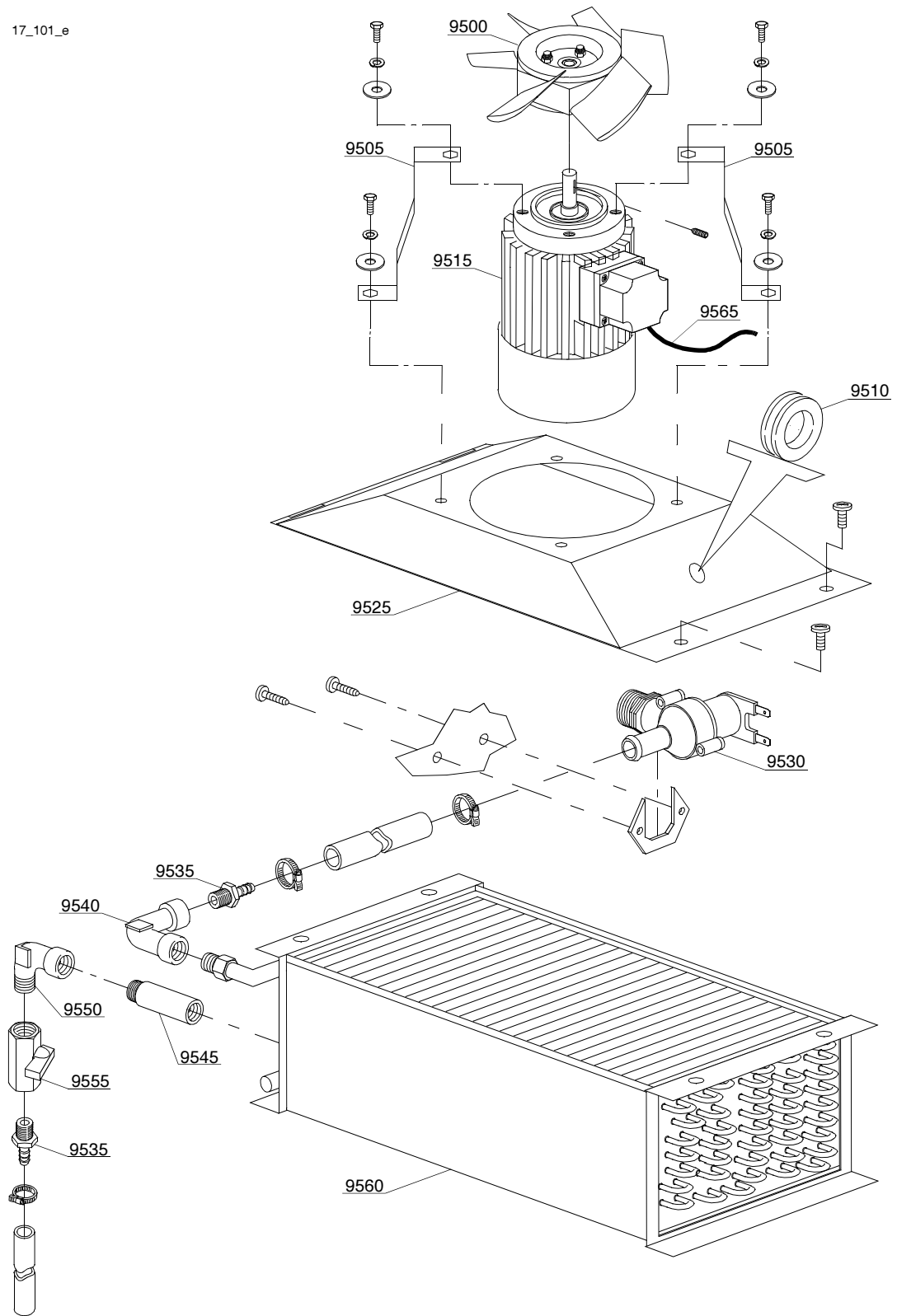


17_001_e

Spare parts

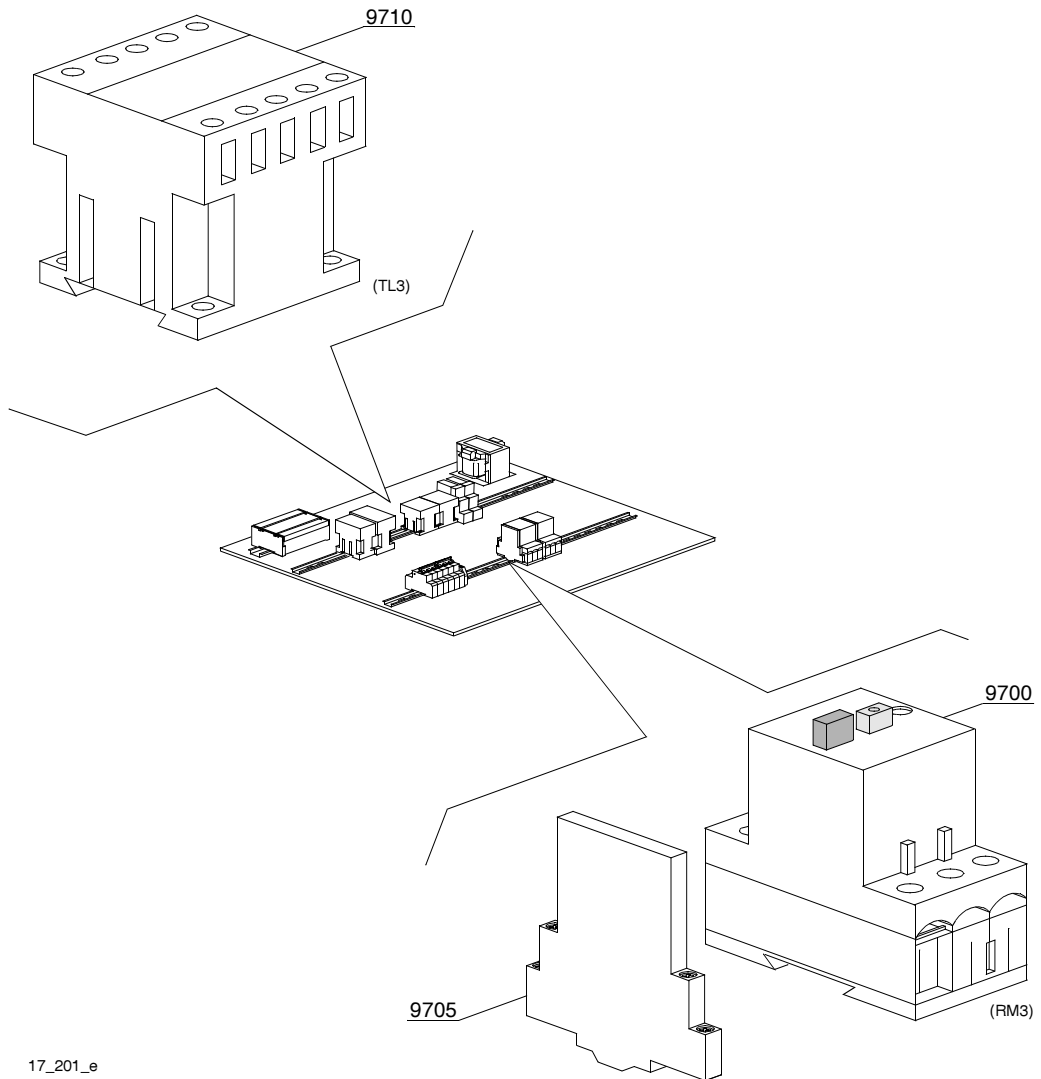
ID	P-code	Model	Type	Accessory	Voltage	Description
MODULE:Steam condenser - part 1						
9300	3009573		34	sc8		Chimney
9305	3009472		34	sc8		Cover with hole
9310	13329		34	sc8		Fairlead
9315	3009577		34	sc8		Complete body
9320	3009579		34	sc8		Jet top
9325	3009543		34	sc8		Suction group

17_101_e



Spare parts

ID	P-code	Model	Type	Accessory	Voltage	Description
MODULE:Steam condenser - part 2						
9500	3000124		34	sc8		Impeller fan
9505	3009551		34	sc8		Motor holder
9510	13329		34	sc8		Fairlead
9515	3000123		34	sc8	A	Motor 0.12KW
9525	3009583		34	sc8		Steam condenser base
9530	2000093		34	sc8		Sigle solenoid valve
9535	12023		34	sc8		Hose holder
9540	3002139		34	sc8		Elbow
9545	3002176		34	sc8		Extension
9550	12035		34	sc8		Elbow
9555	3002140		34	sc8		Tap
9560	3000155		34	sc8		Heating recovery battery
9565	15184		34	sc8		Cable

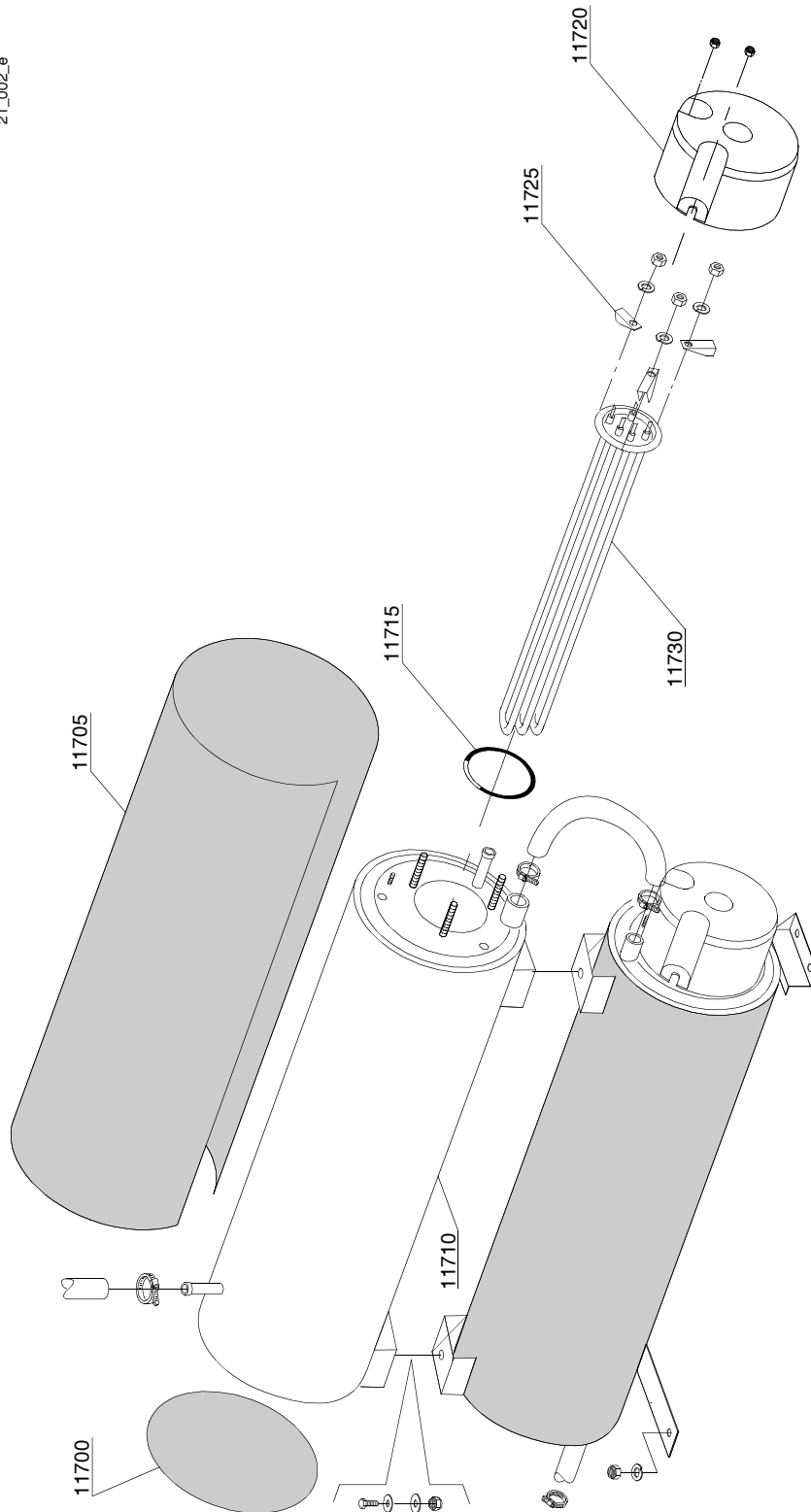


17_201_e

Spare parts

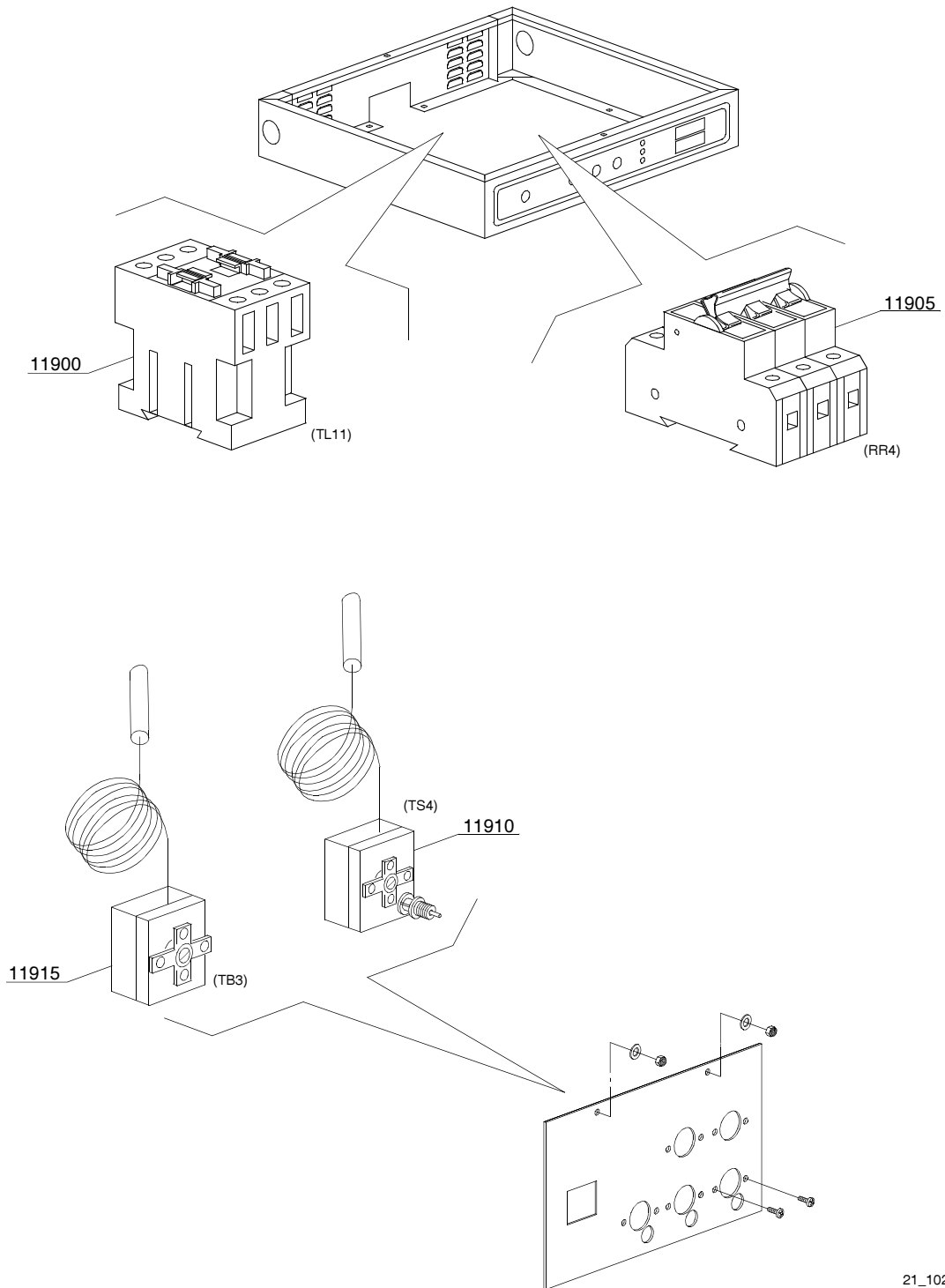
ID	P-code	Model	Type	Accessory	Voltage	Description
MODULE:Steam condenser - part 3						
9700	2000390		34	sc8	A	Motorprotector 1 - 1.6A
9705	3006080		34	sc8	A	Auxiliary contact LMS25
9710	2000370		34	sc8	A	Contactore MC9

21_002_e



Spare parts

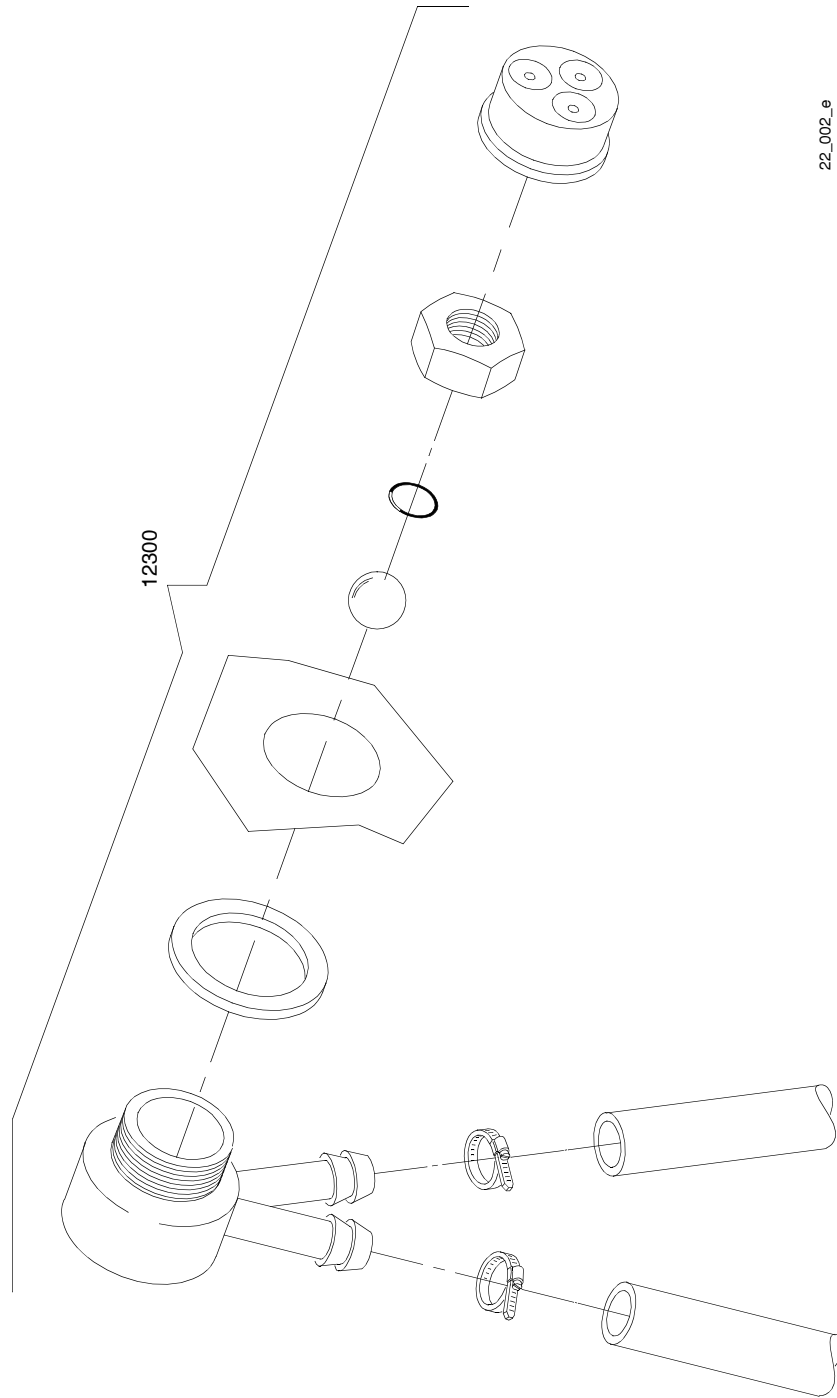
ID	P-code	Model	Type	Accessory	Voltage	Description
MODULE:Additional boiler components						
11700	75205		34	cw		Bottom boiler insulating
11705	30002030		34	cw		Boiler insulating
11710	3007013		34	cw		Boiler
11715	13015		34	cw		O-ring 160 (6225)
11720	75311		34	cw		Heating element cover
11725	16045		34	cw		Heating element support Ø6,3
11730	30001011		34	cw	A	Heating element 9kW
11730	30001011/A		34	cw	A	Heating element 12kW
11730	30001011/B		34	cw	A	Heating element 14kW



21_102_e

Spare parts

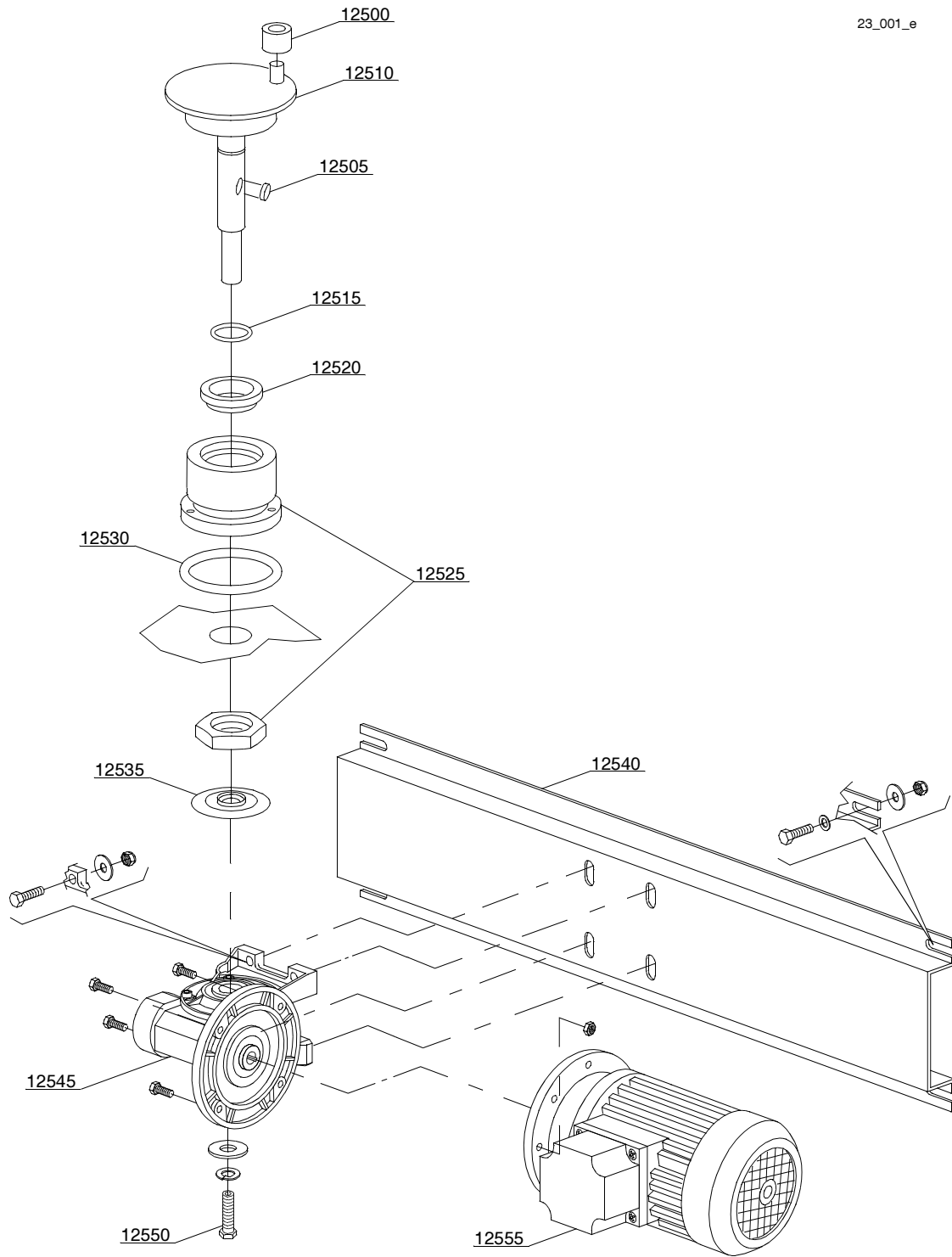
ID	P-code	Model	Type	Accessory	Voltage	Description
MODULE:Additional boiler: electrical components						
11900	2000380		34	cw	A	Contactactor BF12 (heating element < 9 kW)
11900	2000385		34	cw	A	Contactactor BF20 (heating element > 9 kW)
11905	2000403		34	cw	A	Automatic fuse C20 (heating element < 9 kW)
11905	2000404		34	cw	A	Automatic fuse C25 (heating element > 9 kW)
11910	2000430		34	cw		Safety thermostat
11915	10707/1		34	cw		Thermostat 0 - 90° (TB2)



22_002_e

Spare parts

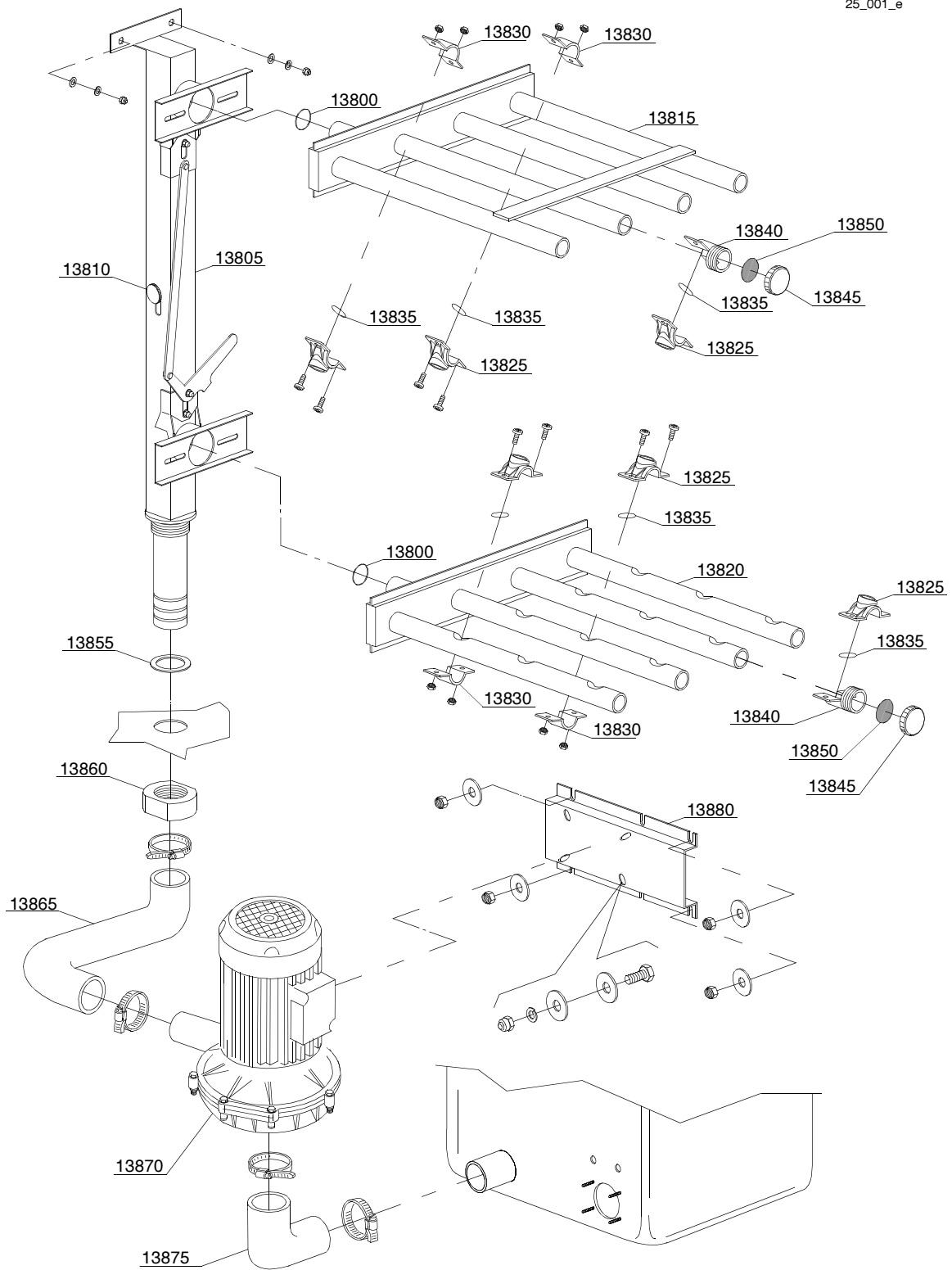
ID	P-code	Model	Type	Accessory	Voltage	Description
MODULE:DVGW valve						
12300	999900006		34	dvgw		DVGW valvola assembly



Spare parts

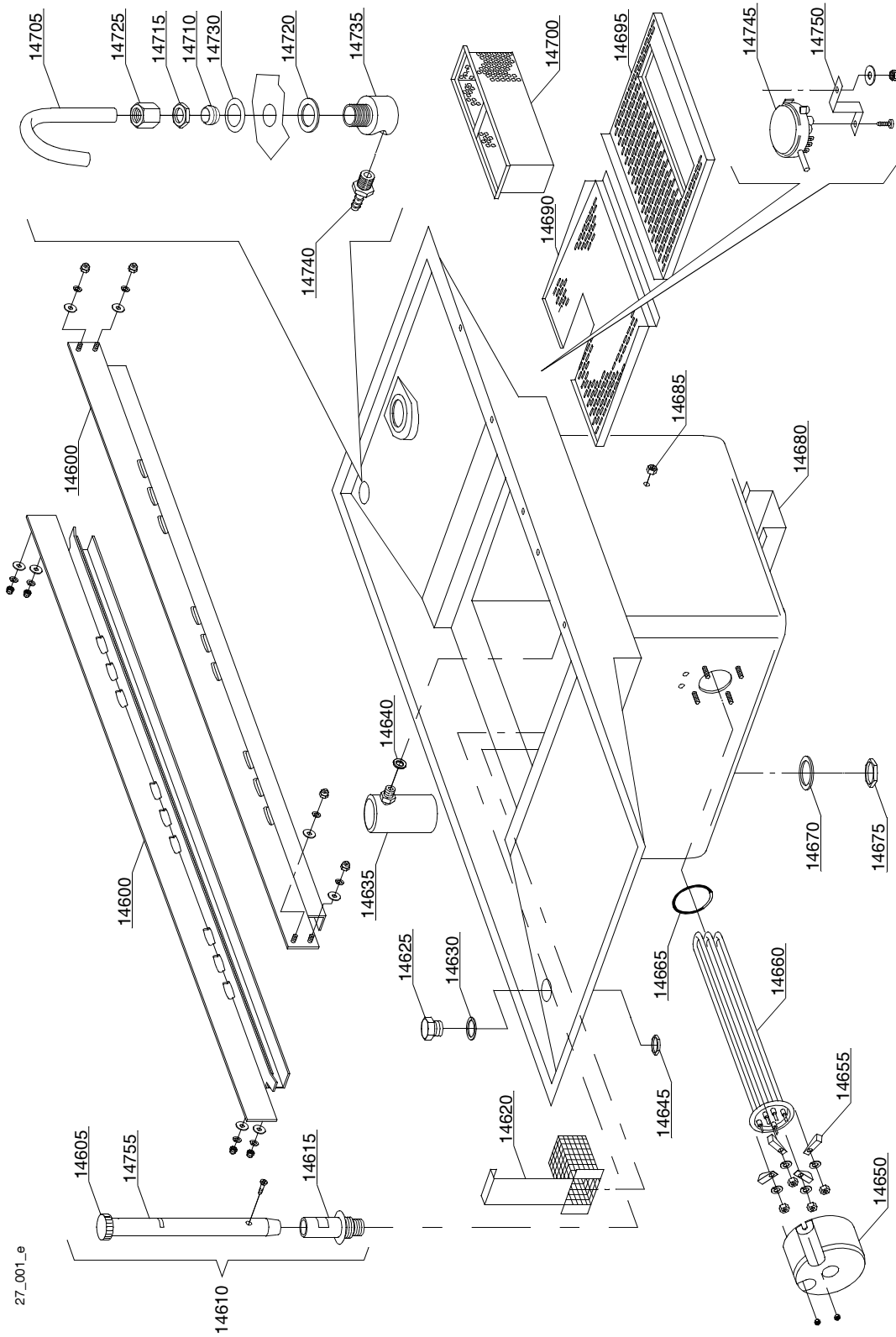
ID	P-code	Model	Type	Accessory	Voltage	Description
MODULE:Motorgear components						
12500	3003012		34			Conveyor roller
12505	2001046		34			Key
12510	3003116		34			Crank shaft
12515	13023		34			O-ring 131 (4093)
12520	13024		34			Oil splash guard DEM 40 TC 30x42x7 with spring
12525	3004132		34			Coupling part serie
12530	13015		34			O-ring 160 (6225)
12535	3004161		34			Protection disk
12540	3009060		34			Motorgear support
12545	3000210		34			Gear right 1:80
12545	3000211		34			Gear left 1:80
12550	11165		34			Screw
12555	3000102		34		A	Conveyor motor

25_001_e



Spare parts

ID	P-code	Model	Type	Accessory	Voltage	Description
MODULE:Washing components 4+4						
13800	13019		34			O-Ring 140 (4137)
13805	3004112		34			Wash ramp
13810	15207		34			Water flow adjuster
13815	3004113		34			Top wash group
13820	3004114		34			Lower wash group
13825	80300		34			Wash nozzle
13830	80301		34			Nozzle counterpart
13835	80302		34			O-ring
13840	80303		34			Collar
13845	80304		34			Arm plug
13850	80305		34			Gasket
13855	10200173/A		34			Gasket 75x58x3
13860	10600012		34			Flat nut
13865	3004083		34			Elbow coupling, press.
13870	22037		34		A	Pump 1.5 kW
13870	22037/3		34		H	Pump 1.5 kW - 60 Hz
13875	3002020		34			Suction elbow coupling
13880	3009148		34			Pump support

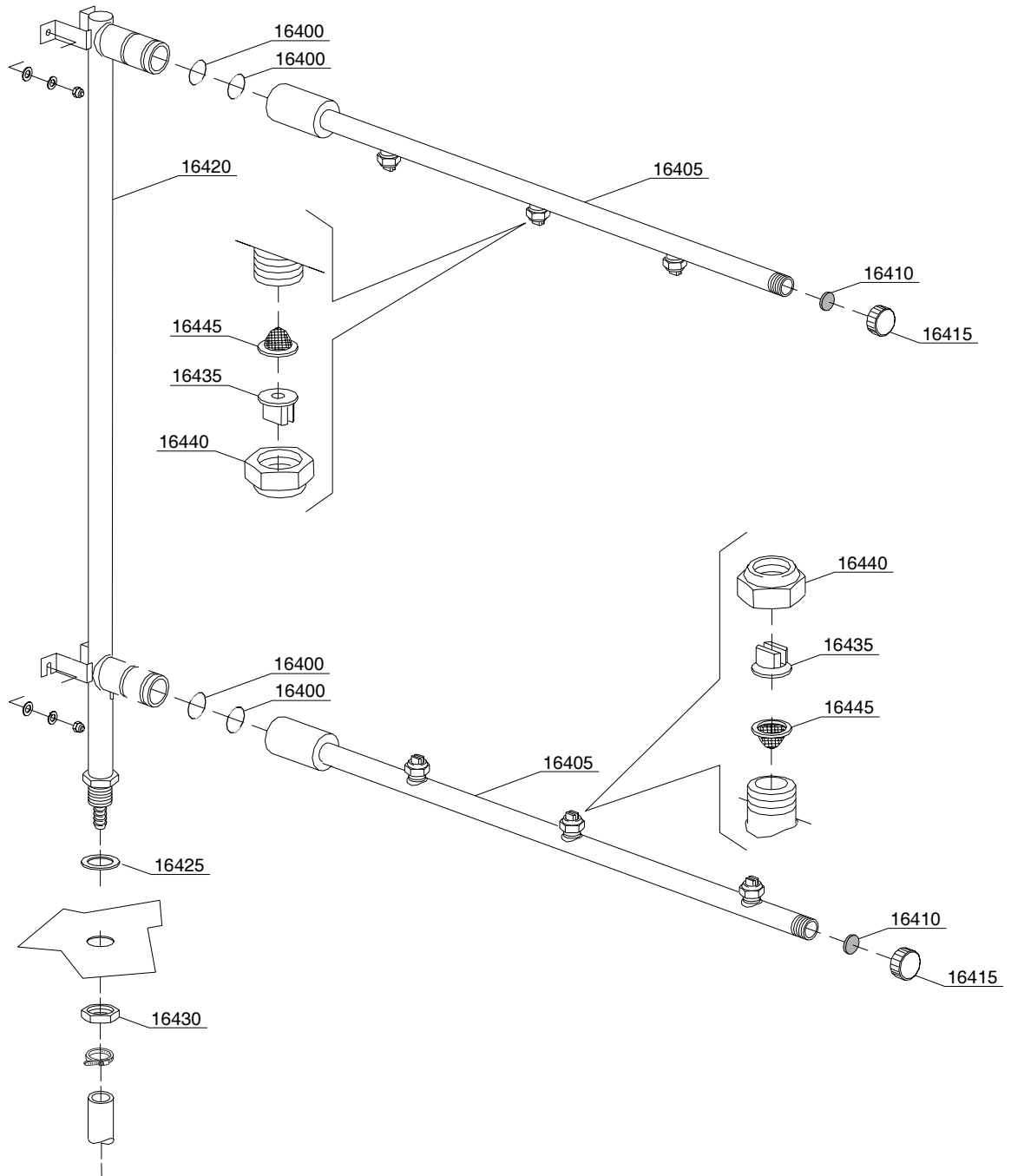


27_001_e

Spare parts

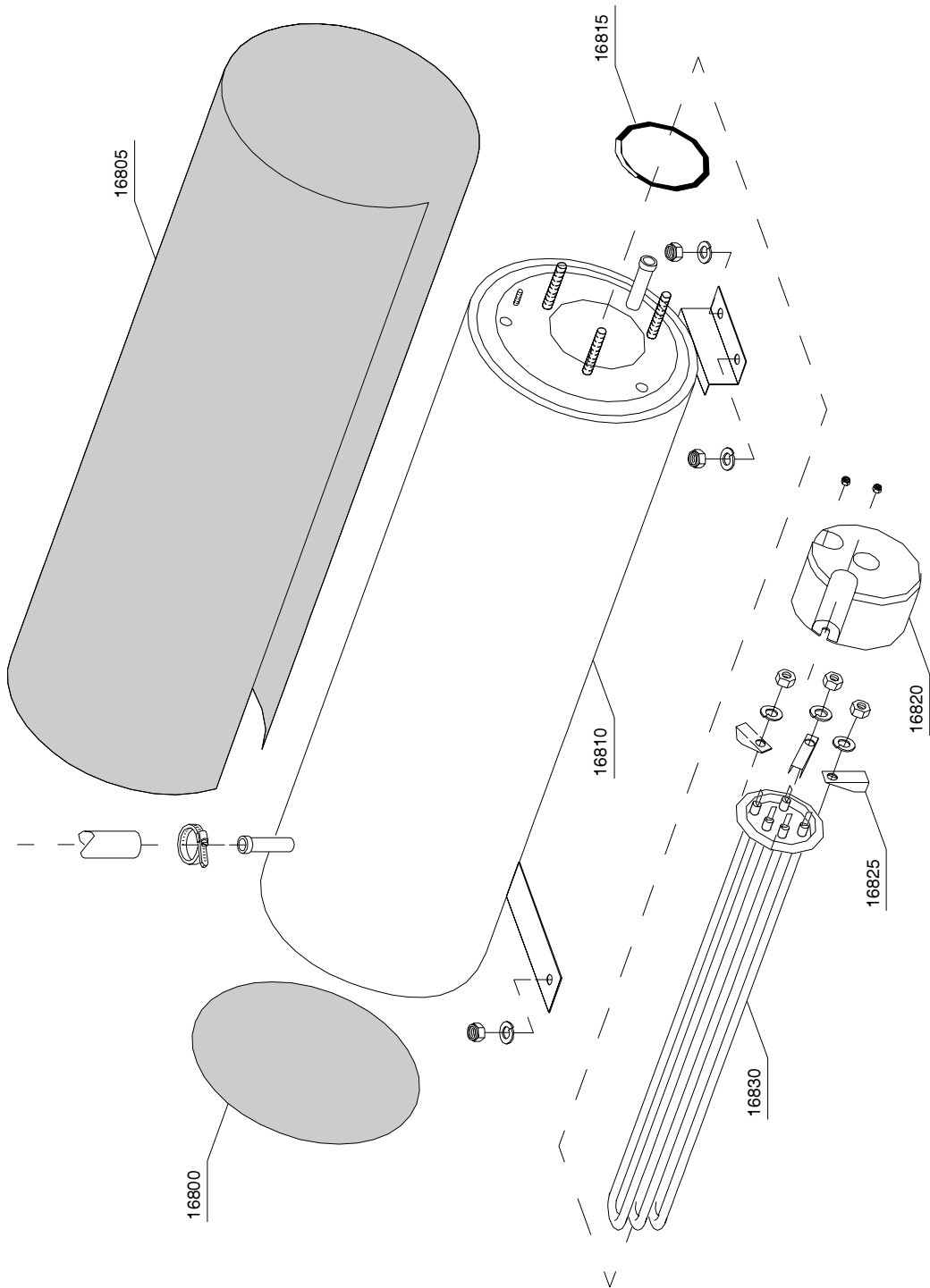
ID	P-code	Model	Type	Accessory	Voltage	Description
MODULE:Internal components						
14600	3009050		34			Basket-slide bar
14605	88105		34			Overflow pipe plug
14610	3004115		34			Overflow pipe assembly
14615	3004099		34			Overflow device support
14620	3019071		34			Pump suction-filter
14625	3004087		34			Plug for tank
14630	13326		34			Gasket 38x27x2
14635	80106		34			Air trap
14640	13301		34			Gasket ROLMART 14x8x1.5
14645	2200103		34			Nut
14650	75311		34			Heating element cover
14655	16045		34			Heating element support Ø6.3
14660	30001011		34		A	Heating element 9kW
14660	30001011/A		34		A	Heating element 9kW
14665	13015		34			O-ring 160 (6225)
14670	10200173		34			Gasket 75x58x3
14675	10600012		34			Flat nut
14680	3009461		34			Tank support
14685	11702		34			Nut
14690	3009464		34			Semi-filter
14695	3019074		34			Strainer plate front
14700	3019065		34			Scrap tray
14705	3004054		34			Inlet pipe
14710	10200182		34			Cone
14715	10200101		34			Nut
14720	10200171		34			Gasket FASIT 25x17x2
14725	10600016		34			Nut
14730	3009387		34			Washer
14735	80231		34			Fitting
14740	12005		34			Hose holder
14745	88110		34			Pressure switch (260-30)
14750	3009363		34			Pressure switch support
14755	2000477		34			Overflow pipe

28_001_e



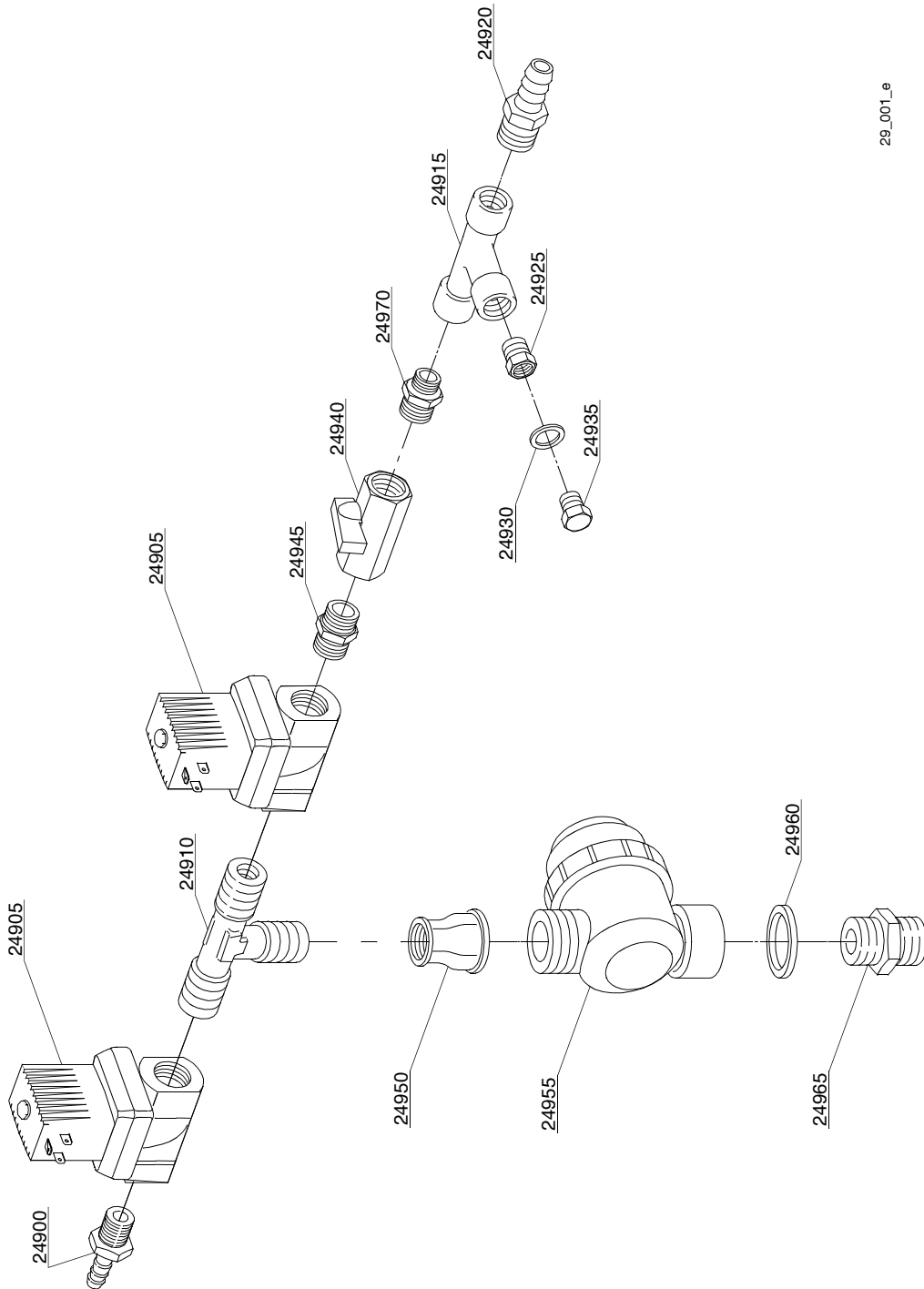
Spare parts

ID	P-code	Model	Type	Accessory	Voltage	Description
MODULE:Rinsing components						
16400	13025		34			O-ring 2081
16405	3003902		34			Rinsing arm 3 nozzle
16410	2002051		34			Gasket EPDM 17.5x1.5
16415	2002054		34			Plug for arm
16420	3003950		34			Rinsing ramp
16425	13326		34			Gasket 38x27x2
16430	2200103		34			Nut
16435	2200114		34			Nozzle
16440	2200116		34			Nut
16445	2200117		34			Filter



28_201_e

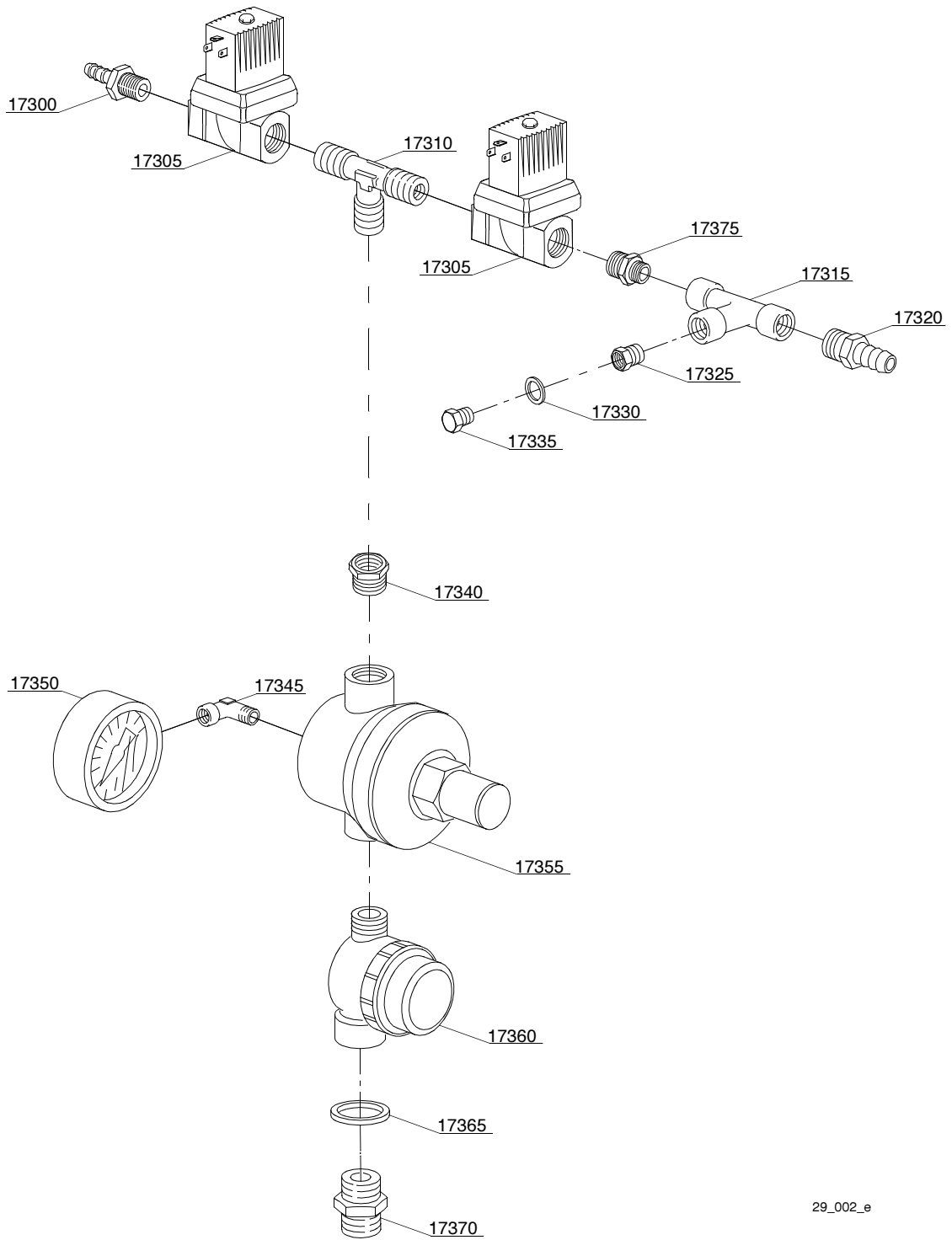
ID	P-code	Model	Type	Accessory	Voltage	Description
MODULE:Boiler components						
16800	75205		34			Bottom boiler insulating
16805	30002030		34			Boiler insulating
16810	3007014		34			Boiler
16810	3007012		34	cw		Boiler
16815	13015		34			O-ring 160 (6225)
16820	75311		34			Heating element cover
16825	16045		34			Heating element support Ø6.3
16830	30001011		34		A	Heating element 9kW
16830	30001011/A		34		A	Heating element 12kW
16830	30001011/B		34		A	Heating element 14kW



29_001_e

Spare parts

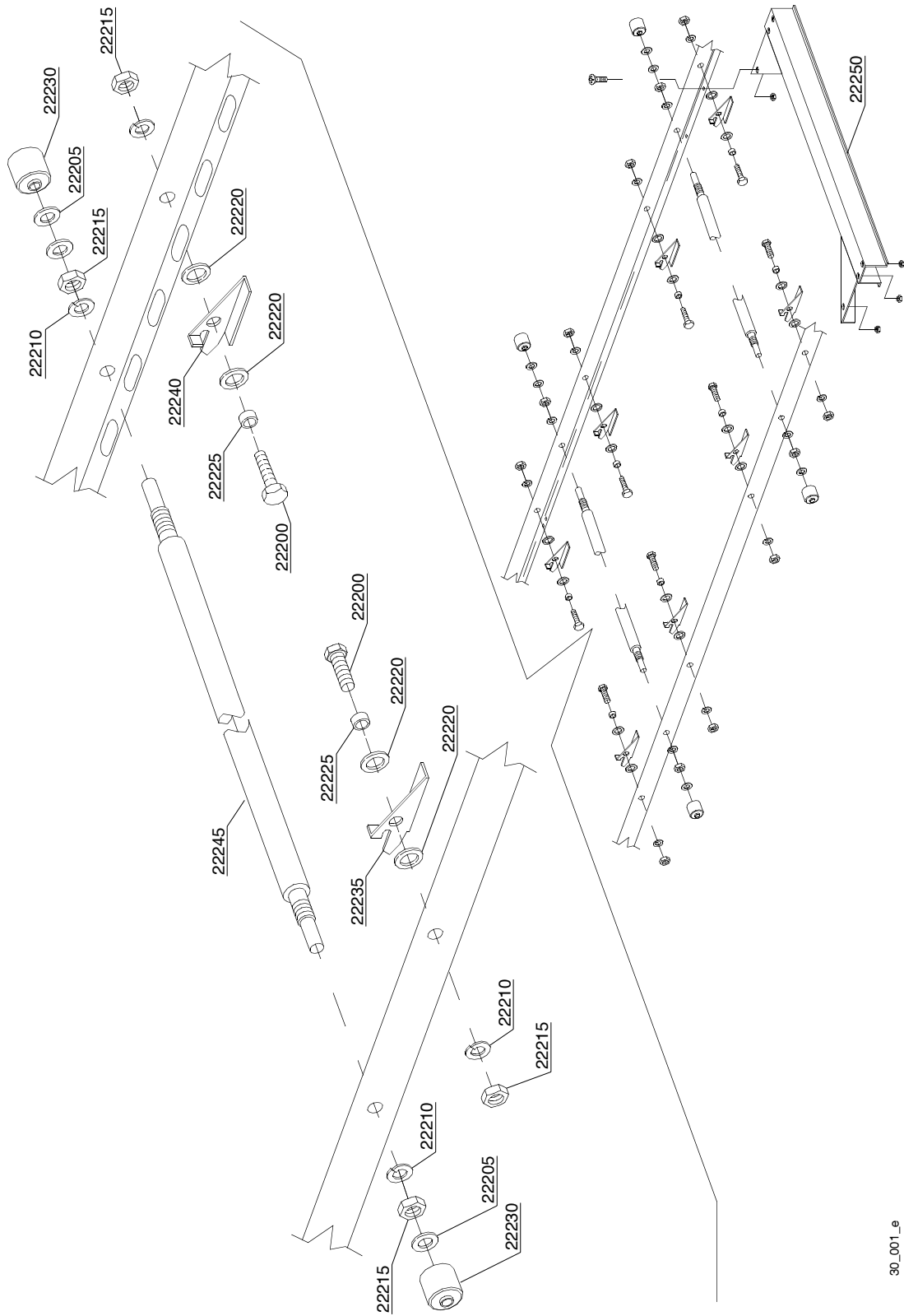
ID	P-code	Model	Type	Accessory	Voltage	Description
MODULE:Solenoid valves components						
24900	12023		34			Hose holder
24905	3002030		34			Solenoid valve
24910	12022		34			Union tee
24915	12008		34			Connection T
24920	12005		34			Hose holder
24925	12032		34			Reduction nipples
24930	13309		34			Gasket 14x10x1.5
24935	12002		34			Plug
24940	3002140		34			Tap
24945	12027		34			Nipples
24950	12026		34			Reduction nipples
24955	2000121		34			Filter
24960	13326		34			Gasket 38x27x2
24965	12025		34			Nipples
24970	12033		34			Nipples
MODULE:Solenoid valves components						
24900	12023		34	sc8,d8		Hose holder
24905	3002030		34	sc8,d8		Solenoid valve
24910	12022		34	sc8,d8		Union tee
24915	12008		34	sc8,d8		Connection T
24920	12005		34	sc8,d8		Hose holder
24925	12032		34	sc8,d8		Reduction nipples
24930	13309		34	sc8,d8		Gasket 14x10x1.5
24935	12002		34	sc8,d8		Plug
24940	3002140		34	sc8,d8		Tap
24945	12027		34	sc8,d8		Nipples
24950	12026		34	sc8,d8		Reduction nipples
24955	2000121		34	sc8,d8		Filter
24960	13326		34	sc8,d8		Gasket 38x27x2
24965	12025		34	sc8,d8		Nipples
24970	12033		34	sc8,d8		Nipples



29_002_e

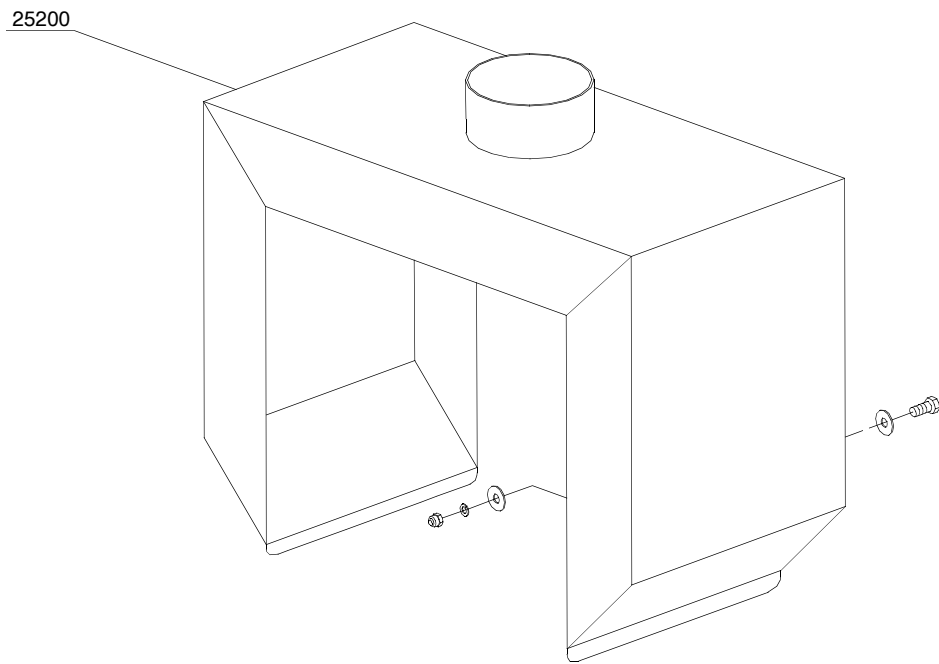
Spare parts

ID	P-code	Model	Type	Accessory	Voltage	Description
MODULE:Solenoid valves components with adjusting flow						
17300	12023		34	wfa		Hose holder
17305	3002030		34	wfa		Solenoid valve
17310	12022		34	wfa		Union tee
17315	12008		34	wfa		Connection T
17320	12005		34	wfa		Hose holder
17325	12032		34	wfa		Reduction nipples
17330	13309		34	wfa		Gasket 14x10x1.5
17335	12002		34	wfa		Plug
17340	12024		34	wfa		Reduction nipples
17345	12012		34	wfa		Elbow
17350	2000244		34	wfa		Pressure reduction gauge
17355	2000364		34	wfa		Pressure reduction valve
17360	2000121		34	wfa		Filter
17365	13326		34	wfa		Gasket 38x27x2
17370	12025		34	wfa		Nipples
17375	12033		34	wfa		Nipples
MODULE:Solenoid valves components						
17300	12023		34	sc8,d8,wfa		Hose holder
17305	3002030		34	sc8,d8,wfa		Solenoid valve
17310	12022		34	sc8,d8,wfa		Union tee
17315	12008		34	sc8,d8,wfa		Connection T
17320	12005		34	sc8,d8,wfa		Hose holder
17325	12032		34	sc8,d8,wfa		Reduction nipples
17330	13309		34	sc8,d8,wfa		Gasket 14x10x1.5
17335	12002		34	sc8,d8,wfa		Plug
17340	12024		34	sc8,d8,wfa		Reduction nipples
17345	12012		34	sc8,d8,wfa		Elbow
17350	2000244		34	sc8,d8,wfa		Pressure reduction gauge
17355	2000364		34	sc8,d8,wfa		Pressure reduction valve
17360	2000121		34	sc8,d8,wfa		Filter
17365	13326		34	sc8,d8,wfa		Gasket 38x27x2
17370	12025		34	sc8,d8,wfa		Nipples
17375	12033		34	sc8,d8,wfa		Nipples



30_001_e

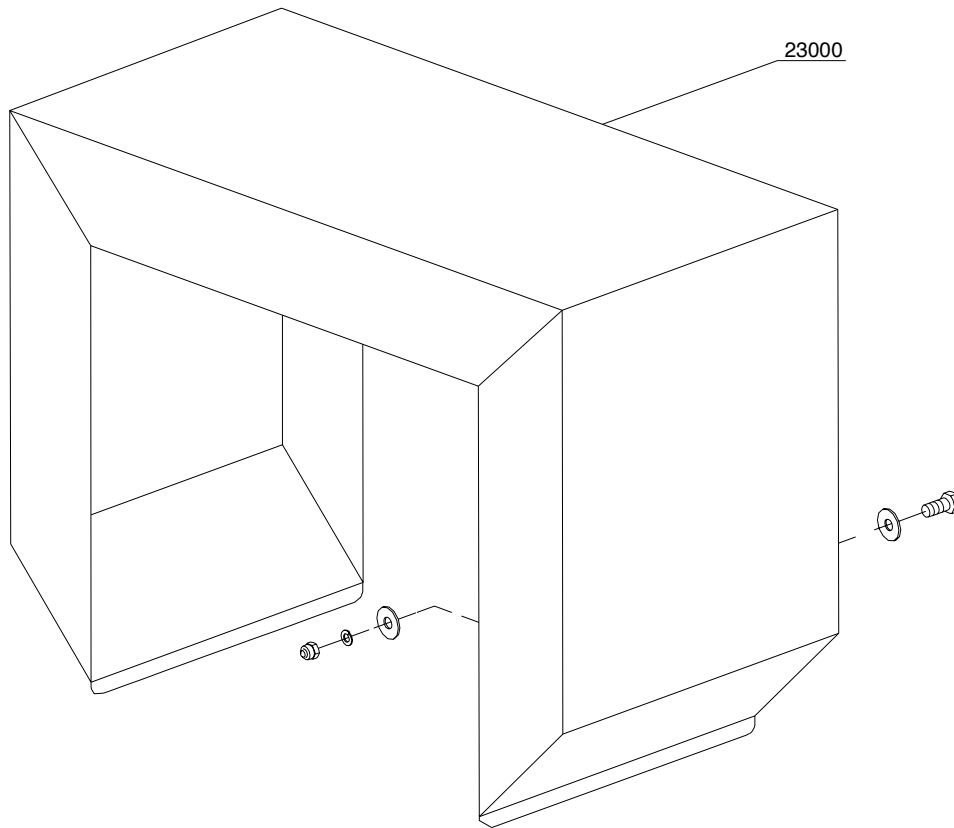
ID	P-code	Model	Type	Accessory	Voltage	Description
MODULE:Conveyor parts						
22200	11109		34			Screw
22205	11185		34			Washer
22210	11609		34			Split washer
22215	11719		34			Nut
22220	3003024		34			Washer
22225	3003025		34			Bush
22230	3003026		34			Bush
22235	3003100		34			Clip right
22240	3003101		34			Clip left
22245	3003010		34			Axis
22250	3009107		34			Guide



31_001_e

Spare parts

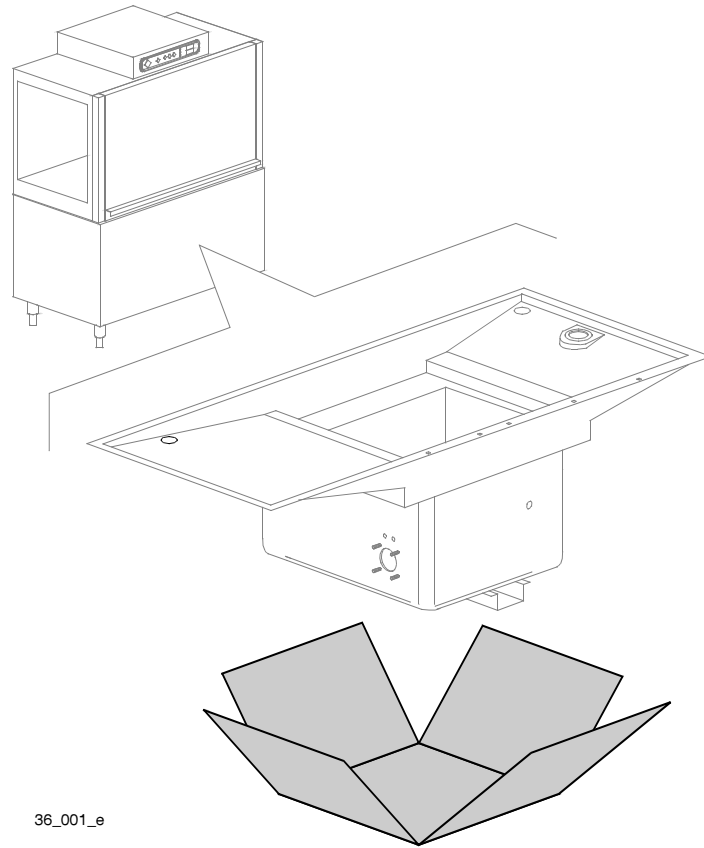
ID	P-code	Model	Type	Accessory	Voltage	Description
MODULE: Splash zone with cilinder - LC 84						
25200	999910084		34	szc8		Splash zone with cilinder LC84



34_001_e

Spare parts

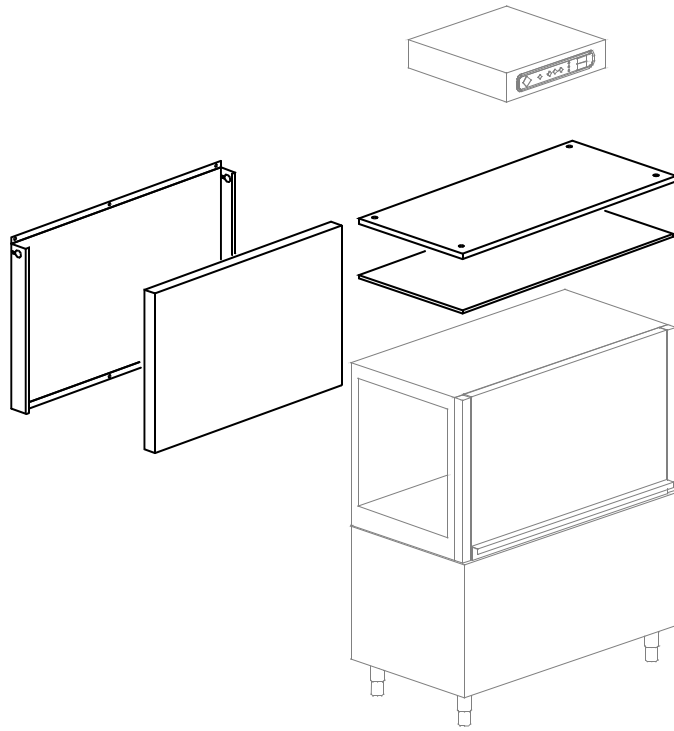
ID	P-code	Model	Type	Accessory	Voltage	Description
MODULE: Splash zone - LC 83						
23000	999910083		34	sz8		Splash zone



36_001_e

Spare parts

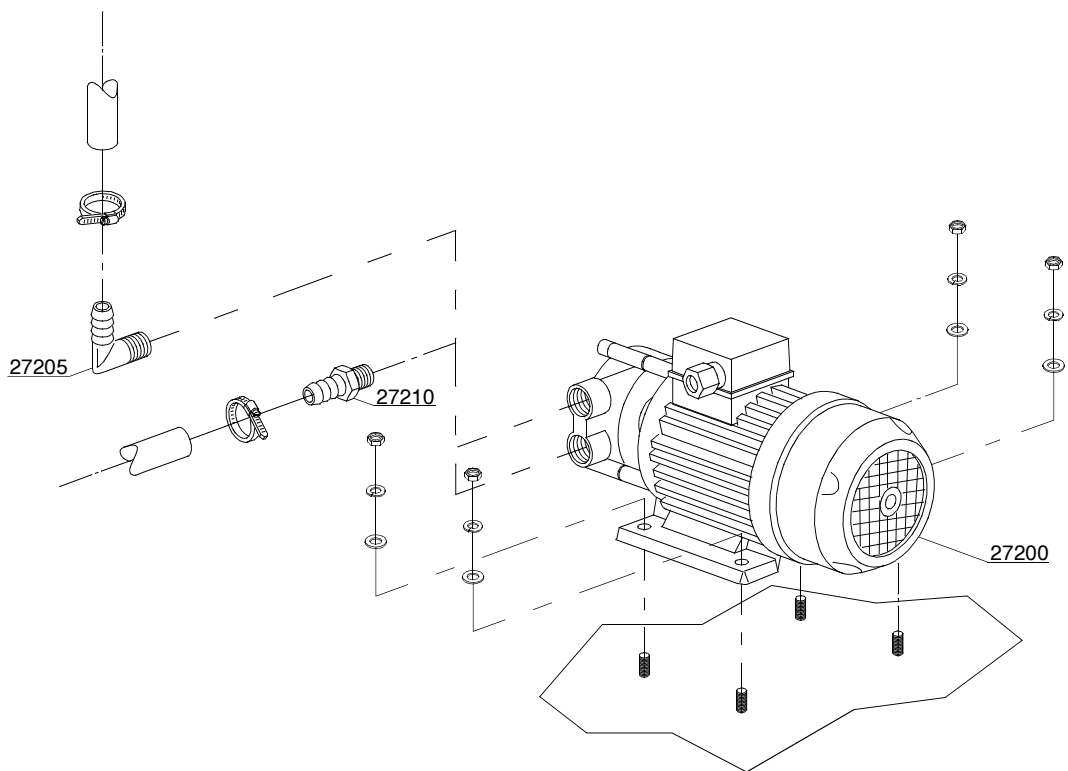
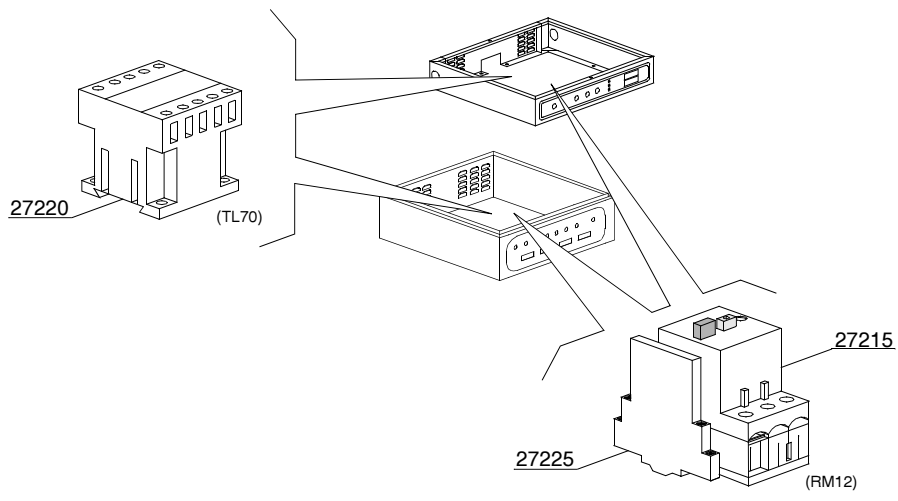
ID	P-code	Model	Type	Accessory	Voltage	Description
MODULE:Tank insulation						
	999910207		34	ti		Tank insulation
N.B.: kit suppliable only togeter with the machine, not after						



37_001_e

Spare parts

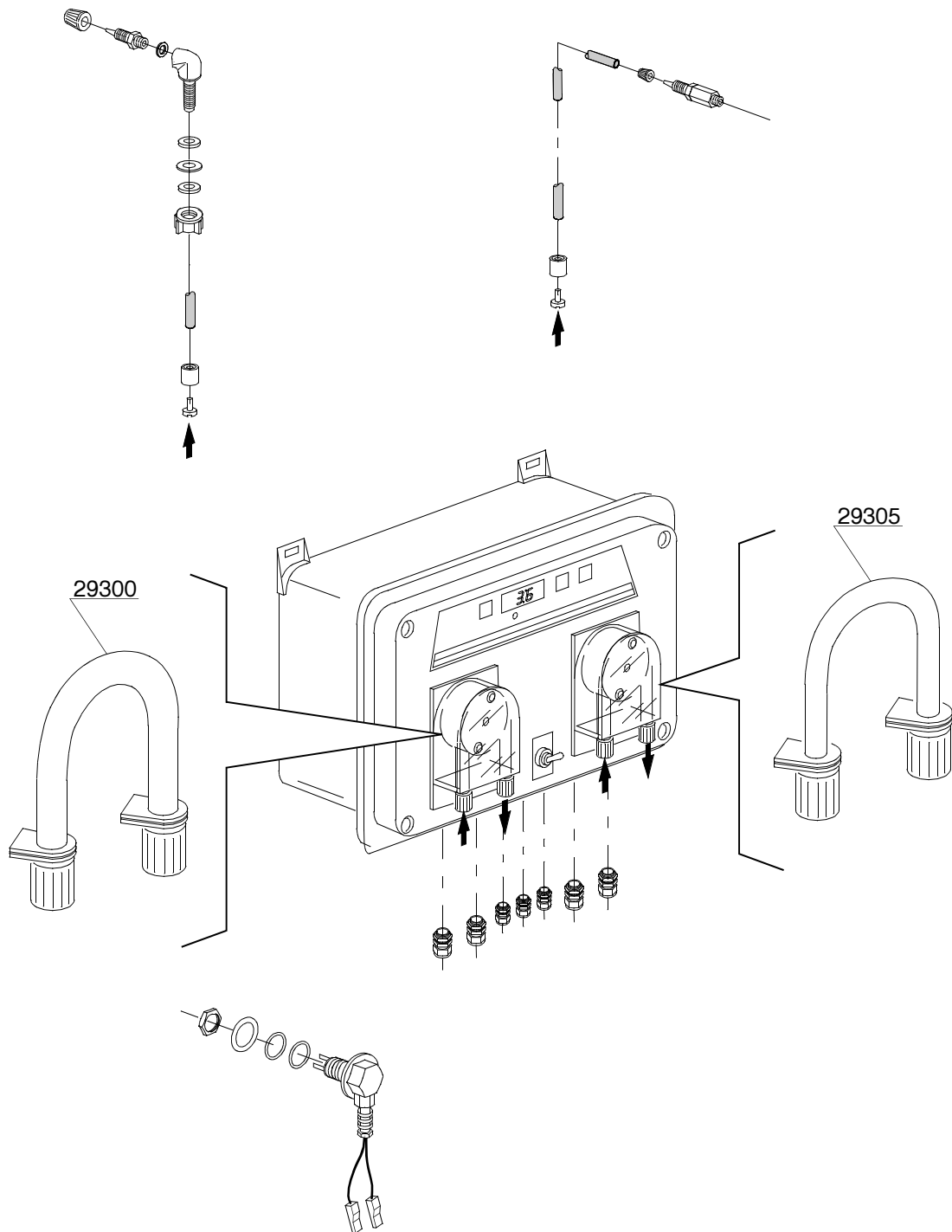
ID	P-code	Model	Type	Accessory	Voltage	Description
MODULE:Double skin						
	999910206		34	ds		Double skin assembly
N.B.: kit suppliable only togeter with the machine, not after						



38_001_e

Spare parts

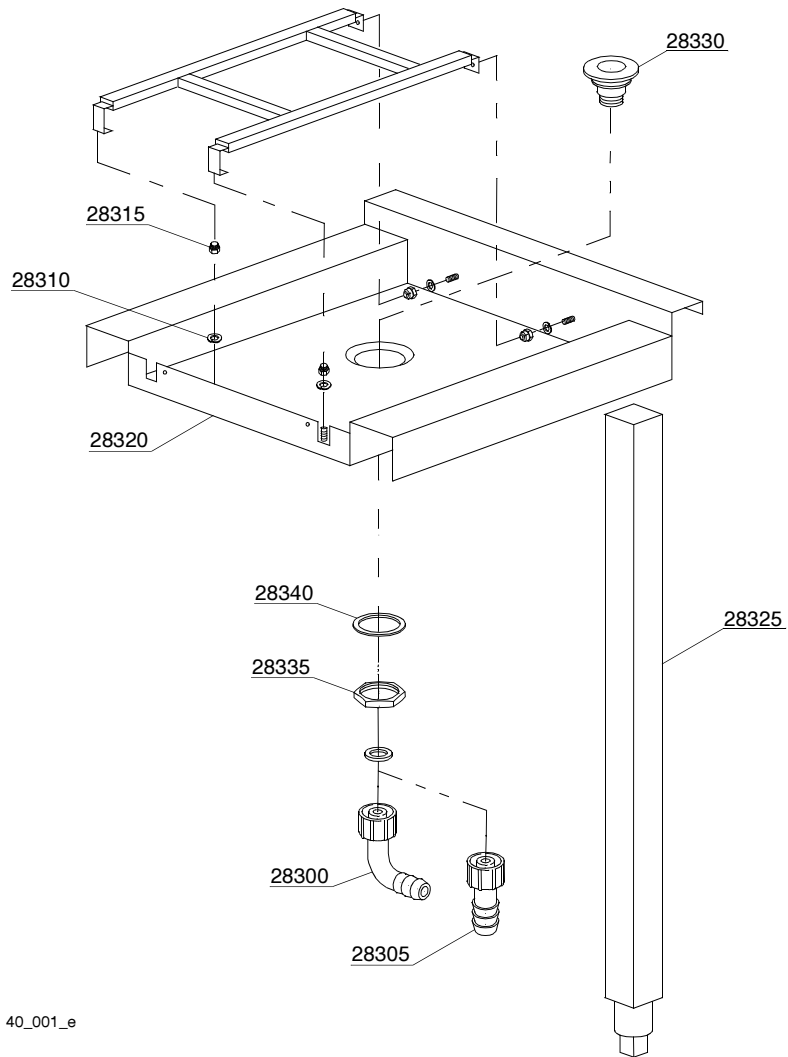
ID	P-code	Model	Type	Accessory	Voltage	Description
MODULE:Booster pump						
27200	15100		34	bp		Booster pump
27205	12030		34	bp		Elbow pipe fitting
27210	10221311		34	bp		Pipe fitting
27215	2000394		34	bp		Motorprotector 2,5-4A
27220	2000370		34	bp		Contactora MC9
27225	3006080		34	bp		Auxiliary contact LMS25



39_001_e

Spare parts

ID	P-code	Model	Type	Accessory	Voltage	Description
MODULE:Dispensers SDN-3						
	15181		34	sdn3		Dispensers assembly SDN-3
29300	15185		34	sdn3		Pipe fitting for detergent dispenser
29305	15186		34	sdn3		Pipe fitting for rinse dispenser

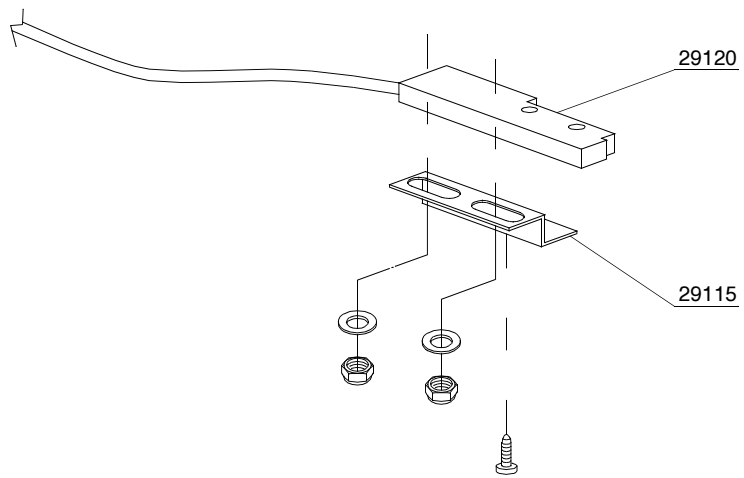
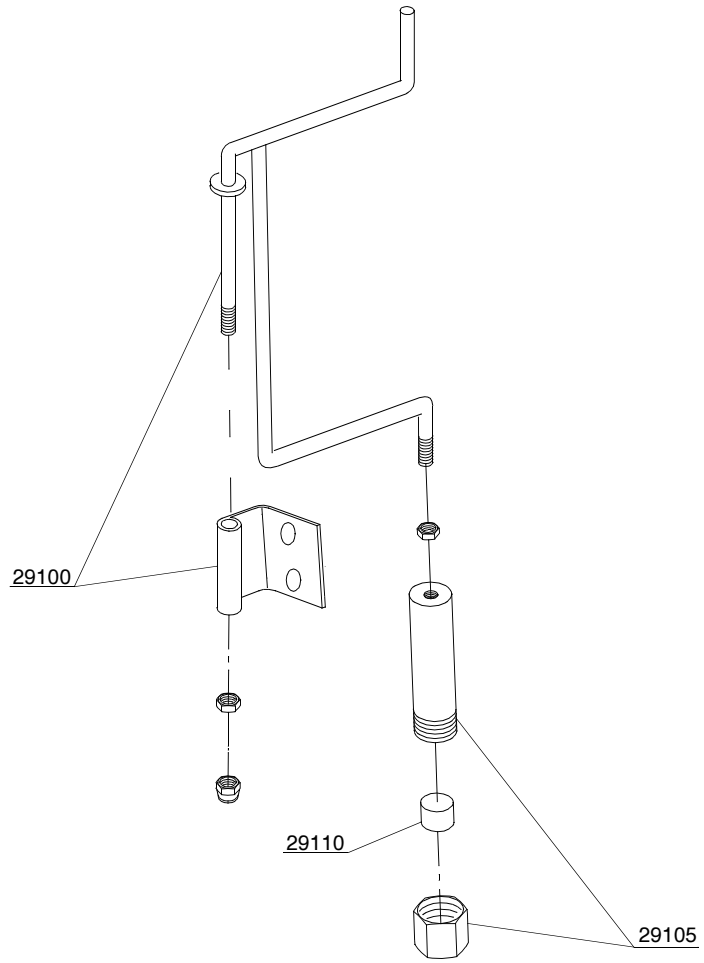


40_001_e

Spare parts

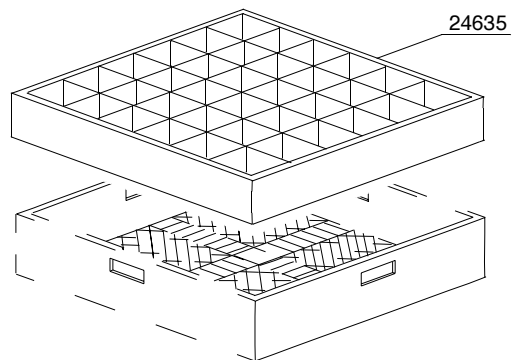
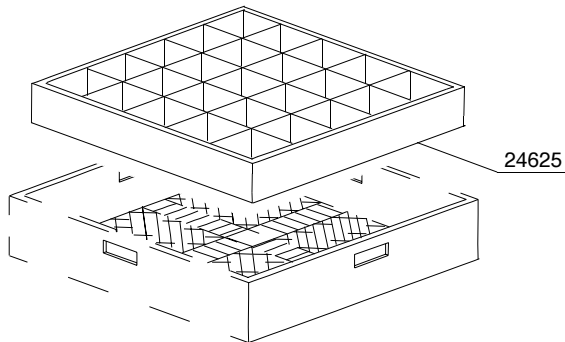
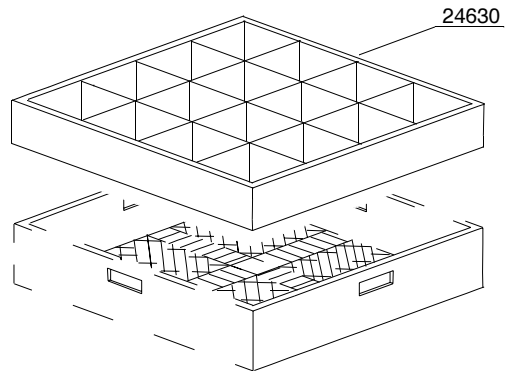
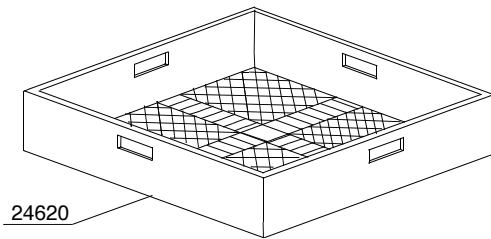
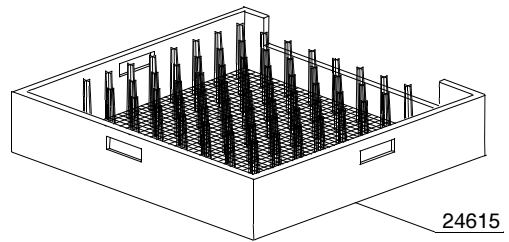
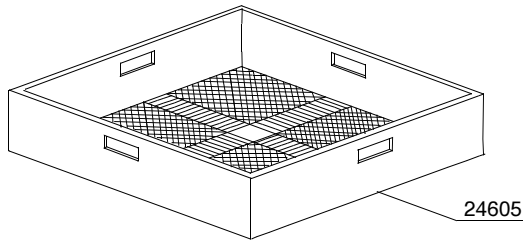
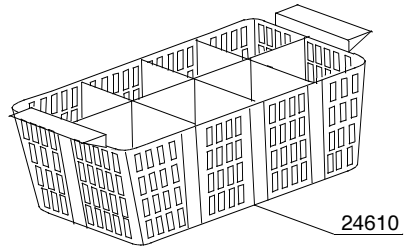
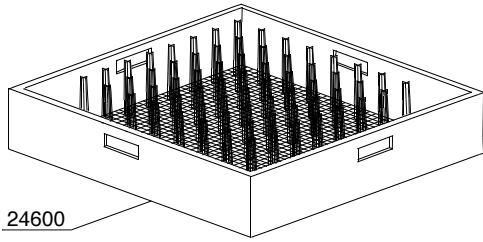
ID	P-code	Model	Type	Accessory	Voltage	Description
MODULE:Angle loading table 90° - LC 98						
28300	15613		34	98		"1"" 1/4x30 nylon elbow"
28305	15613/A		34	98		Fitting exauster
28310	3003024		34	98		Washer
28315	3003025		34	98		Bush
28320	3009250		34	98		Platform
28325	3009608		34	98		Leg assembly
28330	10200113		34	98		Floor drain
28335	10200114		34	98		Floor drain nut
28340	10200173		34	98		Gasket 75x58x2

41_001_e



Spare parts

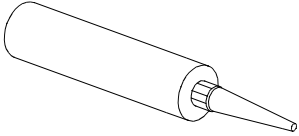
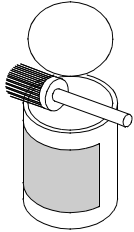
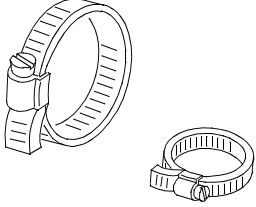
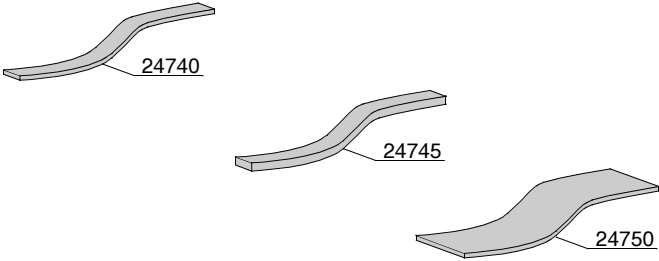
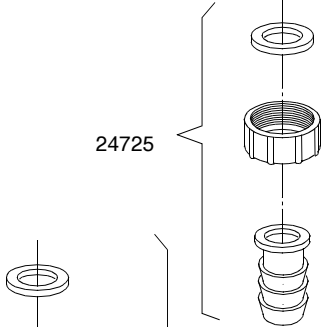
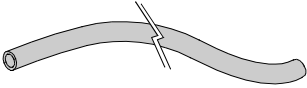
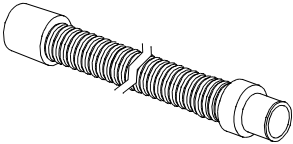
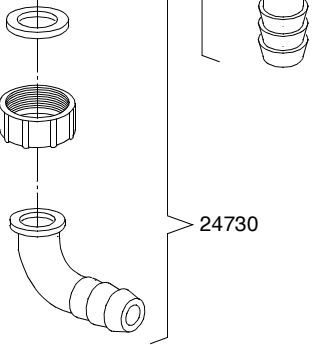
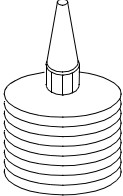
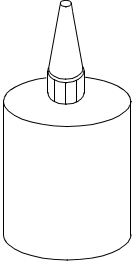
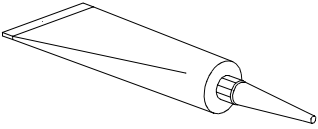
ID	P-code	Model	Type	Accessory	Voltage	Description
MODULE:Rinse economizer system						
29100	3004163		34	res		Rinse economizer system
29105	3003058		34	res		Magnet holder
29110	3003113		34	res		Magnet
29115	3009112		34	res		Economizer microswitch support
29120	3003112		34	res		Economizer microswitch



00_001_e

Spare parts

ID	P-code	Model	Type	Accessory	Voltage	Description
MODULE:Baskets						
24600	C40		34			Place conveyor basket
24605	C41		34			Tight mesh conveyor basket for cutlery
24610	C47		34			Small 8 place cutlery basket
24615	C43		34			535mm tray conveyor basket
24620	C44		34			Mod.07 universal conveyor basket
24625	C112		34			5x5 vertical glass conveyor basket
24630	C113		34			4x4 vertical glass conveyor basket
24635	C114		34			6x6 vertical glass conveyor basket

 <p>24700</p>	 <p>24705</p>	 <p>24760</p>
 <p>24740</p> <p>24745</p> <p>24750</p>		 <p>24725</p>
 <p>24755</p>	 <p>24735</p>	 <p>24730</p>
 <p>24765</p>	 <p>24770</p>	 <p>24775</p>

Spare parts

ID	P-code	Model	Type	Accessory	Voltage	Description
MODULE:Accessory						
24700	---		34			Silicone UNI 9610 - UNI 9611
24705	---		34			Grease for high temperatures CCIAA 629224
24705	---		34			Grease for food - Loctite 8104 Cat. N° 26560
24725	15613/A		34			Fitting exauster
24730	15613		34			"1" 1/4x30 nylon elbow"
24735	10727		34			Exauster pipe Ø 24mm
24735	10200112		34			Exauster pipe Ø 32mm
24740	15750		34			20x2 self-stick mousse
24745	15751		34			20x4 self-stick mousse
24750	15752		34			60x2 self-stick mousse
24755	2907350		34			Flexible pipe EPDM Ø12
24755	2907352		34			Flexible pipe EPDM Ø12 - WRAS
24755	2907353		34			Flexible pipe EPDM Ø12
24760	2902050		34			Steel hose clamp 15/24
24760	11806		34			Steel hose clamp 25/40
24760	11810		34			Steel hose clamp 40/60
24760	11824		34			Steel hose clamp 50/70
24760	2902491		34			Steel hose clamp 60/80
24765	---		34			-50°C +150°C threads dope
24770	---		34			Loctite 542 Cat.N° 54246 - DIN-DVGW 86.02 e 125
24770	---		34			Loctite 243 Cat.N° 18937 - 19386
24775	---		34			Loctite 511 Cat.N° 24003 - DIN-DVGW 86.01 e 125
24775	---		34			Loctite 577 Cat.N° 25392