

cod.DW014D

data:15/11/2022

**Catalogo ricambi
Spare parts catalog
Catalogue de pièces détachées
Ersatzteilkatalog
Catálogo de repuestos
Catálogo de peças de reposição
Каталог запасных частей**

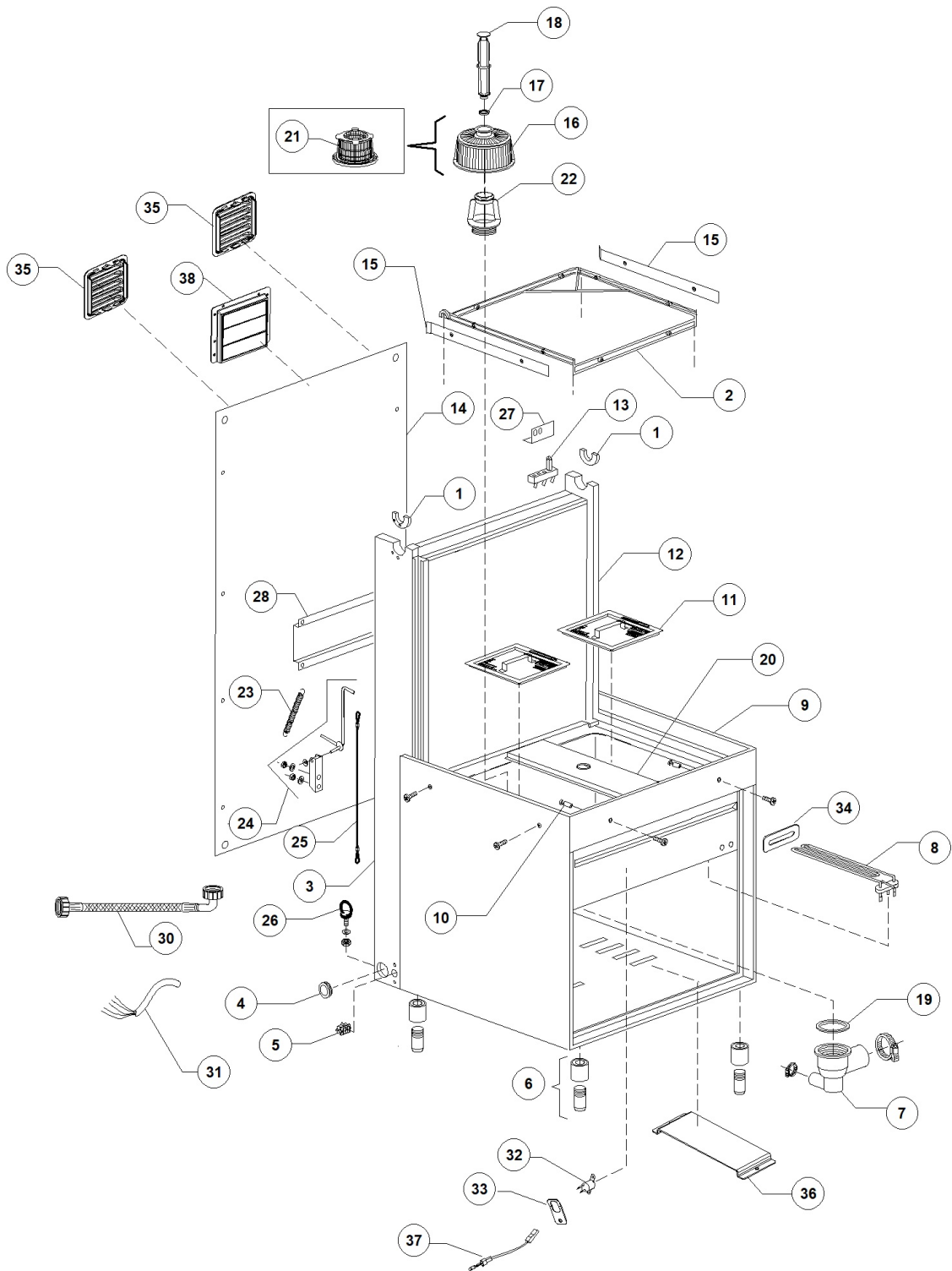
D-WASH 100 PS DDE 380-400/3N/50 EAC



S/N:DWR1001253



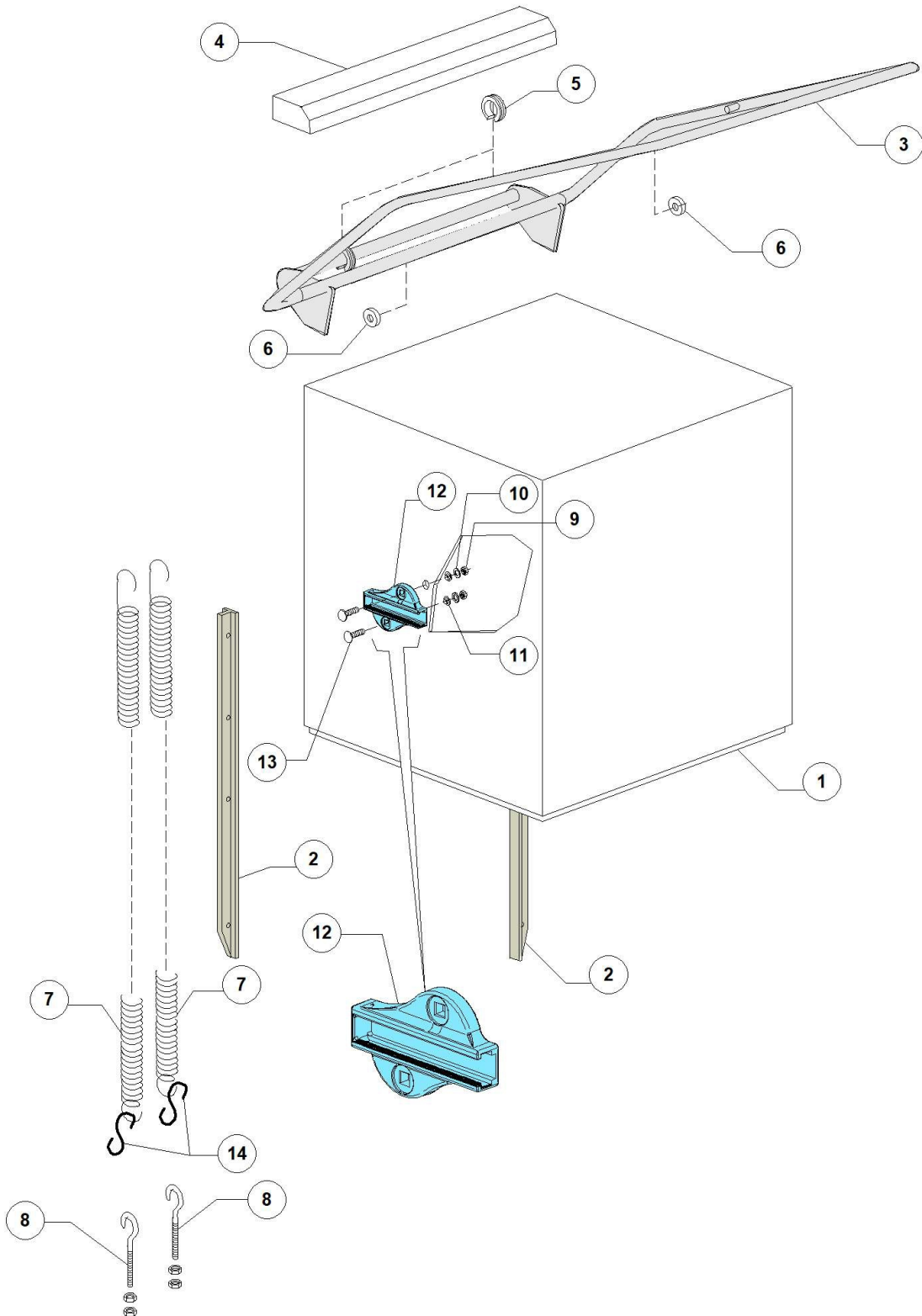
D-WASH 100 PS DDE 380-400/3N/50 EAC - DWR1001253 - Gruppo carrozzeria - DW014D



D-WASH 100 PS DDE 380-400/3N/50 EAC - DWR1001253 - Gruppo carrozzeria - DW014D

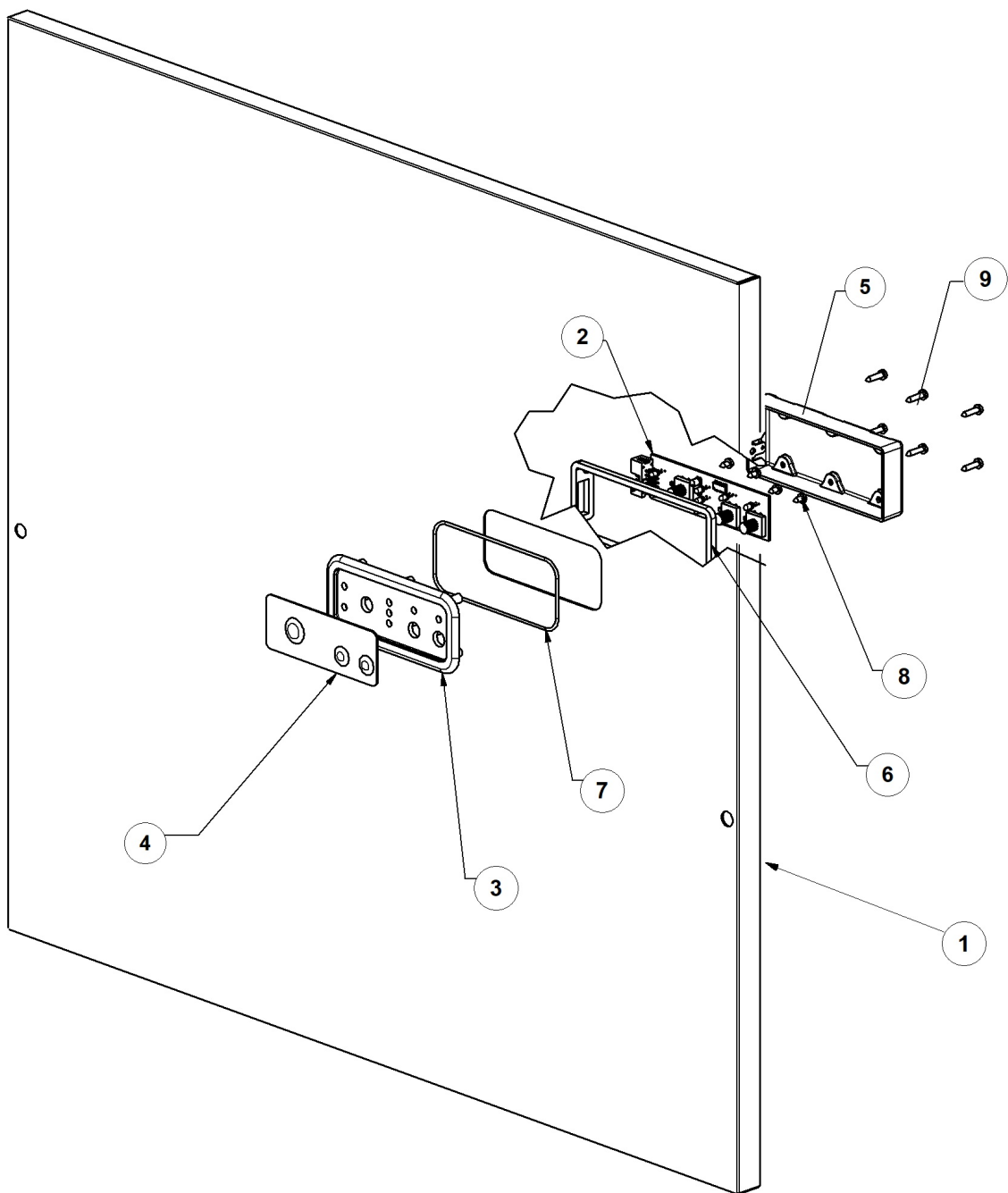
| Pos. | Codice | Descrizione | Description |
|------|------------|--|--|
| 1 | DW11600055 | BOCCOLA GUIDA MANIG.DX-SX G12 | RIGHT/LEFT HANDLE PILOT BUSH |
| 2 | DW11600001 | SUPPORTO CESTO AISI 304 GASTRO 12S | S/S BASKET SUPPORT 12S |
| 3 | DW11600621 | MONTANTE SX G 12S | LEFT STANDARD |
| 4 | DW13324 | PASSACAVO GOMMA D.46X50 | RUBBER FAIRLEAD D.46X50 |
| 5 | DW15065/A | FISSACAVO PER VITI AUTOF (NR.2x11007) | CABLE-FASTENER WITH SCREW |
| 6 | DW15116 | "PIEDINO 2" M10 REG. 132-210" | "ADJUSTABLE FOOT M10 132-210 2"" |
| 7 | DW500606 | POZZETTO CON SCARICO LATERALE DX | RIGHT SIDE SCRAP TRAY |
| 8 | DW150047 | RESIST.2700/2940W 230/240V 1 | 2700/2940W 230/240V 1 HEATING ELEM. |
| 9 | DW76000 | ASS.BASE-VASCA-SCHIENALE 11/04 | BASE+TANK+BACK ASSEMBLY |
| 10 | DW11600018 | PERNO SUPPORTO PORTACESTO | BASKET HOLDER PIN SUPPORT |
| 11 | DW76025 | FILTRO SUPERF HT ECO E DWASH/2016 | |
| 12 | DW11600620 | MONTANTE DX G 12S | RIGHT STANDARD |
| 13 | DW70305 | FINECORSO A PULSANTE MF17 | LIMIT STOP PUSH BUTTON |
| 14 | DW11600630 | SCHIENALE POSTERIORE G-12S (1X 3071286) | BACK PANEL 12S |
| 15 | DW10600923 | SPONDINA CESTO 1200 | BASKET BOARD |
| 16 | DW500616 | FILTRO ASPIR. GS50 GRIGIO | SUCTION FILTER |
| 17 | DW13021 | GUARNIZIONE DEM 40 PER TROPPOPP. GS | OVERFLOW PIPE GASKET DEM 40 (MIN. 2 PCS) |
| 18 | DW500619 | ASSIEME TROPPO PIENO H208 CON TAPP | OVERFLOW PIPE H208 |
| 19 | DW80208 | GUARNIZIONE RAMPA LP2 DIAM.95X75X3 | RISER GASKET D.95X75X3 (MIN. 2 PCS) |
| 20 | DW76007 | TRAVERSO CENTRALE SUP.FILTRO 11/04 | CENTRAL TRANSVERS.SUPP.FOR FILTER 11/04 |
| 21 | DW500600 | FILTRO INTERNO CON CESTELLO 2004 | INNER FILTER |
| 22 | DW500607 | GHIERA INNESTO FILTRI MOD.50 2004 | FERRULE FOR FILTER CLUTCH |
| 23 | DW10700 | MOLLA PER PORTA DIS.LS034 DERBY | DOOR SPRING |
| 24 | DW11600059 | ASSIEME SICUREZZA CAPOTTE | SAFETY SYSTEM ASSEMBLY SUPPORT |
| 25 | DW76252 | CORDA PER SISTEMA SICUREZZA 11/04 | SAFETY SYSTEM ROPE 11/04 |
| 26 | DW11600058 | GANCIO GOLFARE MASCHIO M8 ZINC | M8 ZINC PLATED MALE HOOK |
| 27 | DW11600919 | SQ.SUPPORTO MICRO G 12S | MICROSWITCH SUPPORT |
| 28 | DW11600625 | SUPPORTO TIRANTI MOLLE | TIE ROD SPRING SUPPORT |
| 30 | DW10900001 | CANNA CARICO GROSSA M 1,5 EN61770 | LOAD PIPE M 1,5 EN61770 |
| 31 | DW590109 | CAVO ALIMENTAZIONE 5x2,5x3400 | |
| 32 | DW15552/B | TERMOST. SICUR.VASCA KLIXON SENZA STAFFA | KLIXON TANK SAFETY THERMOSTAT |
| 33 | DW15552/A | STAFFETTA PER TERMOSTATO VASCA KLIXON | |
| 34 | DW250043 | PIASTRINA RESISTENZA VASCA | TANK HEATING ELEMENT PLAQUE |
| 36 | DW11600111 | CARTER PER HT IPX4 | BASE PROTECTION IPX4 |
| 37 | DW609518 | SPEZ. CABL. TERMICO RESIST. VASCA SOTTOB | TANK HEATING ELEMENT WIRING FOR THERMIC |
| 38 | DW3071286 | CARTER PER IPX4 /IPX5 ESTERNO | EXTERNAL PROTECTION IPX4/IPX5 |

D-WASH 100 PS DDE 380-400/3N/50 EAC - DWR1001253 - Capotta - DW014D



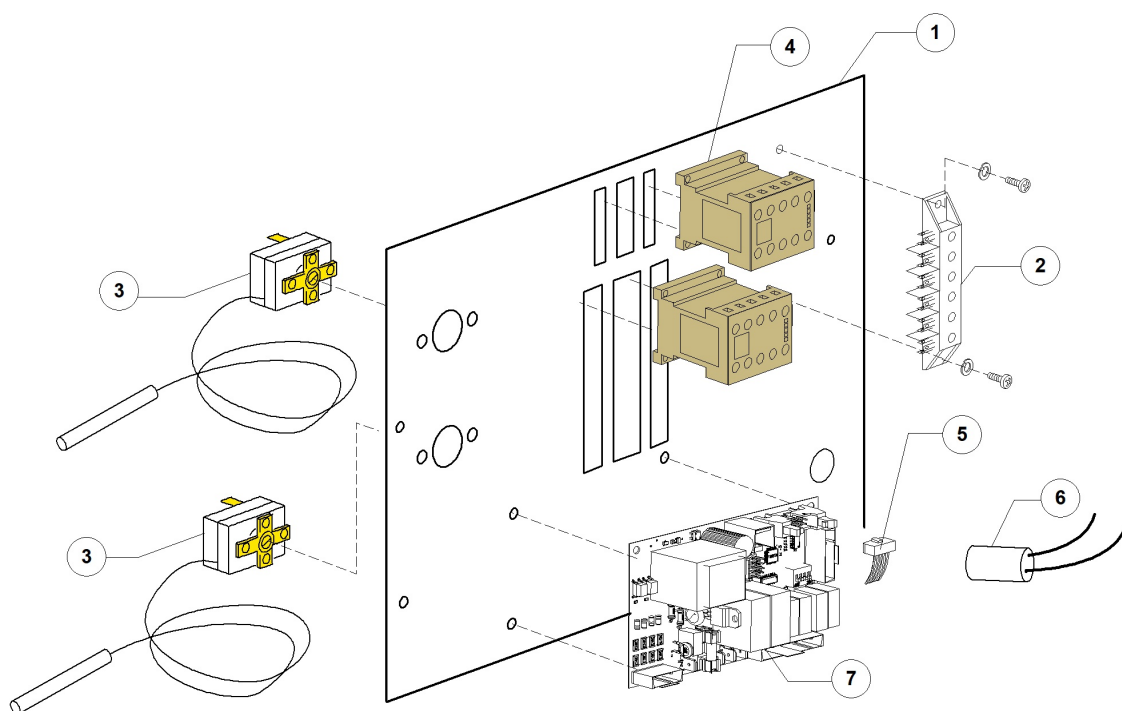
D-WASH 100 PS DDE 380-400/3N/50 EAC - DWR1001253 - Capotta - DW014D

| Pos. | Codice | Descrizione | Description |
|------|------------|--|--------------------------------|
| 1 | DW76001 | CAPPOTTA COMPLETA 11/04 | COMPLETE HOOD 11/04 |
| 2 | DW76080 | PATTINO SCORRIMENTO CAPOTTA 11/04 | HOOD SLIDING GUIDE 11/04 |
| 3 | DW76075 | MANIGLIONE CAPPOTTA 11/04 COMPLETO | S/S HOOD HANDLE |
| 4 | DW11600913 | SPOILER COMPLETO G 12S | SPOILER G12S |
| 5 | DW70306 | SNODO AGGANCIAMENTO MOLLA PA6 GRIGIO | SLIDING ROLLER FOR SPRING |
| 6 | DW89919 | RUOTA PER CESTO LP3/LP4 | WHEEL FOR BASKET P3S/P4S8 |
| 7 | DW75303 | MOLLA POSTERIORE S11 | BACK SPRING |
| 8 | DW10800210 | VITE TIRANTE CON GANCIO M10X60 | ROD SCREW WITH HOOK M10X60 |
| 9 | DW11718 | DADO M8 AUTOBLOCCANTE INOX DIN 982 | S/S SELF-LOCKING NUT M8 DIN982 |
| 10 | DW11185 | RONDELLA 8X16 PIANA INOX DIN125 | 8X16 S/S PLANE WASHER DIN125 |
| 11 | DW76086 | OGIVA PER CAMME DIAM.16 | CAM SEAL WASHER D.16 |
| 12 | DW11600036 | CAMMA MOVIM. CAPPOTTA G 12 GRIGIA | CAPOTE MOVEMENT CAM |
| 13 | DW11222 | VITE TESTA BOMB C.E. FLANGIATA M8L25INOX | |
| 14 | DW76253 | GANCIO A S D6X65 | D6X65 HOOK |



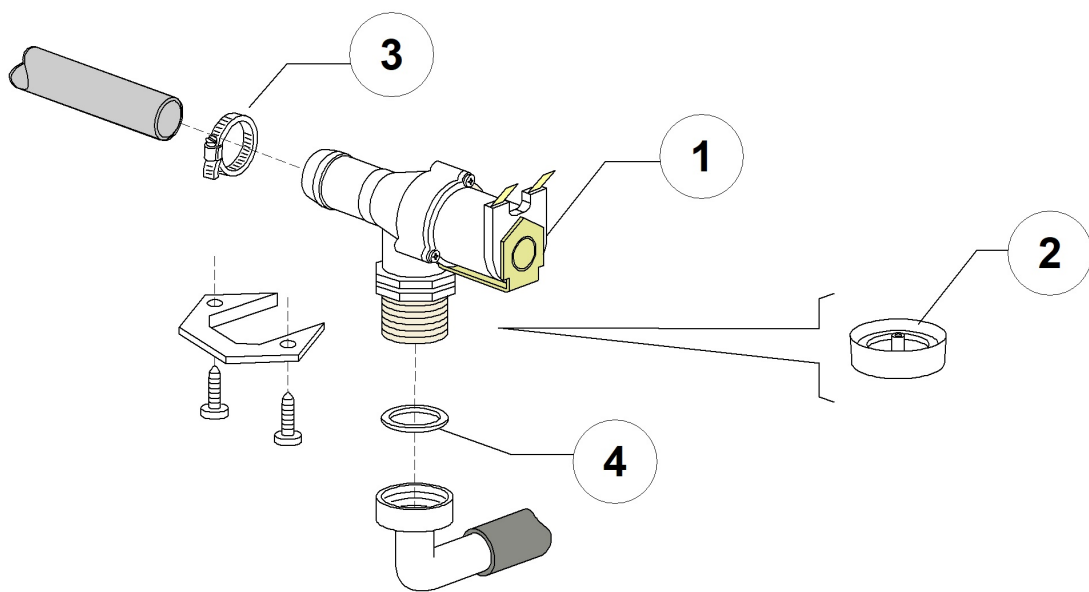
D-WASH 100 PS DDE 380-400/3N/50 EAC - DWR1001253 - Pannello comandi - DW014D

| Pos. | Codice | Descrizione | Description |
|------|-----------|--|-------------|
| 1 | DW76099 | PAN. COMANDI INTERO 10 E-ECO2016 | |
| 2 | DW50612 | PULSANTIERA E-ECO2016 | |
| 3 | DW50612/A | FRONTALINO PULSANTIERA E-ECO2016 | |
| 4 | DW50615 | MOSTRINA E-ECO2016 | |
| 5 | DW50612/B | SCATOLA PROTEZIONE PULSANTIERA E-ECO2016 | |
| 6 | DW50612/C | GUARNIZ. SCATOL PULSANTIERA E-ECO2016 | |
| 7 | DW13030 | GUARNIZIONE OR 2300 | O-RING 2300 |
| 8 | DW11326 | VITE TCB 2,9X9,5 UNI7049 INOX DIN7981 | |
| 9 | DW11001 | VITE AUTO. 3,5x9,5 TCB INOX DIN7981 | |



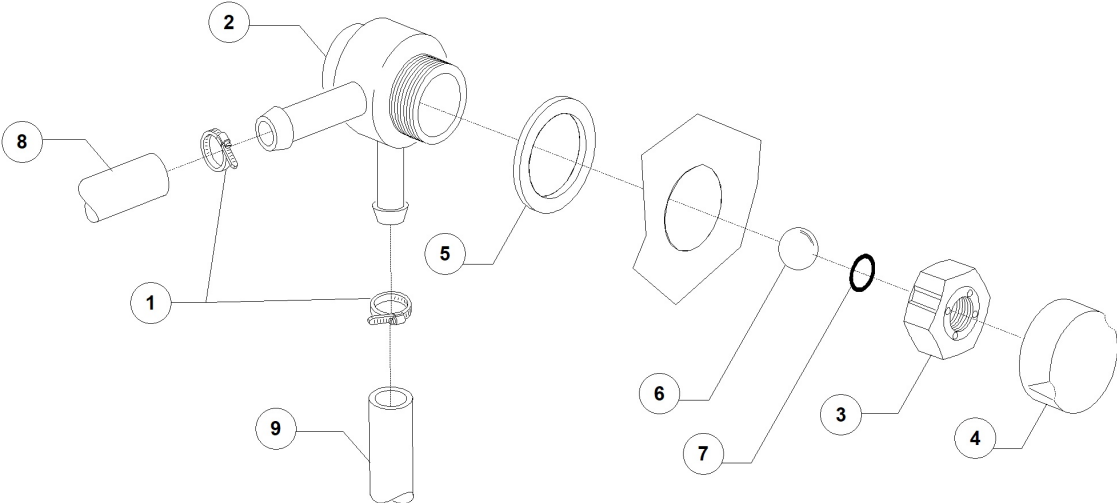
D-WASH 100 PS DDE 380-400/3N/50 EAC - DWR1001253 - Componenti elettrici - DW014D

| Pos. | Codice | Descrizione | Description |
|------|-----------|--|--|
| 1 | DW76097 | PORTACOMPONENTI D-WASH100 | ELECTRIC COMPONENTS PANEL DWASH 100 |
| 2 | DW500551 | MORSETTIERA 6 POLI KL116/6 | TERMINAL BOARD 6 POLES FV122 RED |
| 3 | DW10707/1 | TERM.0-90 TR2 C1500+PVC POST.N/ALB | THERMOSTAT 0-90 TR2 C1500+PVC POST.N/ALB |
| 4 | DW15086 | TELERUTTORE 230V 50/60Hz 4C AC3(6A) | CONTACTOR 230V 50/60Hz 4C AC3(6A) |
| 5 | DW50614 | "PIATTINA MULTIFILO "F10p" L600 ANTISTR" | RIBBON CABLE F10p L600 |
| 6 | DW15149 | FILTRO ANTIDIS.F3 (CX0.47MF) | ANTIJAMMING FILTER F3 (CX0.47MF) |
| 7 | DW50611 | SCHEDA TIMER 34-39-49-10 E-ECO2016 | MAINBOARD 34-39-49-10 E-ECO2016 |



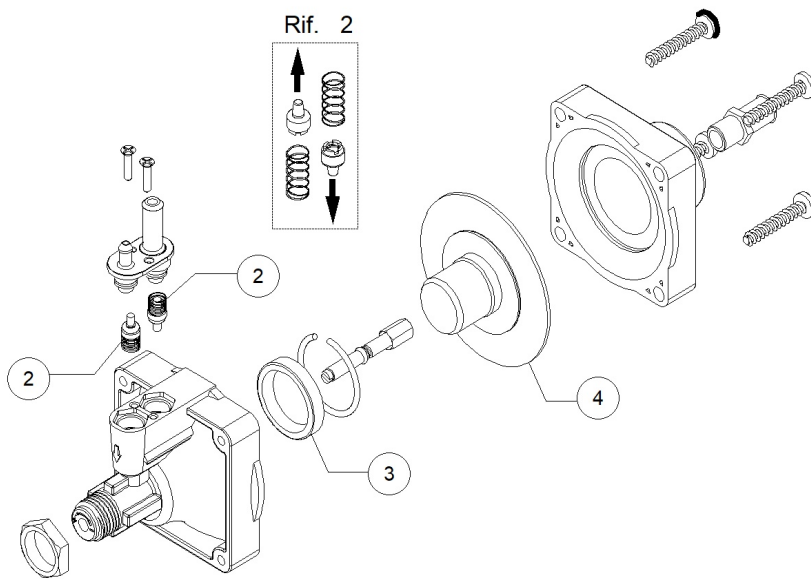
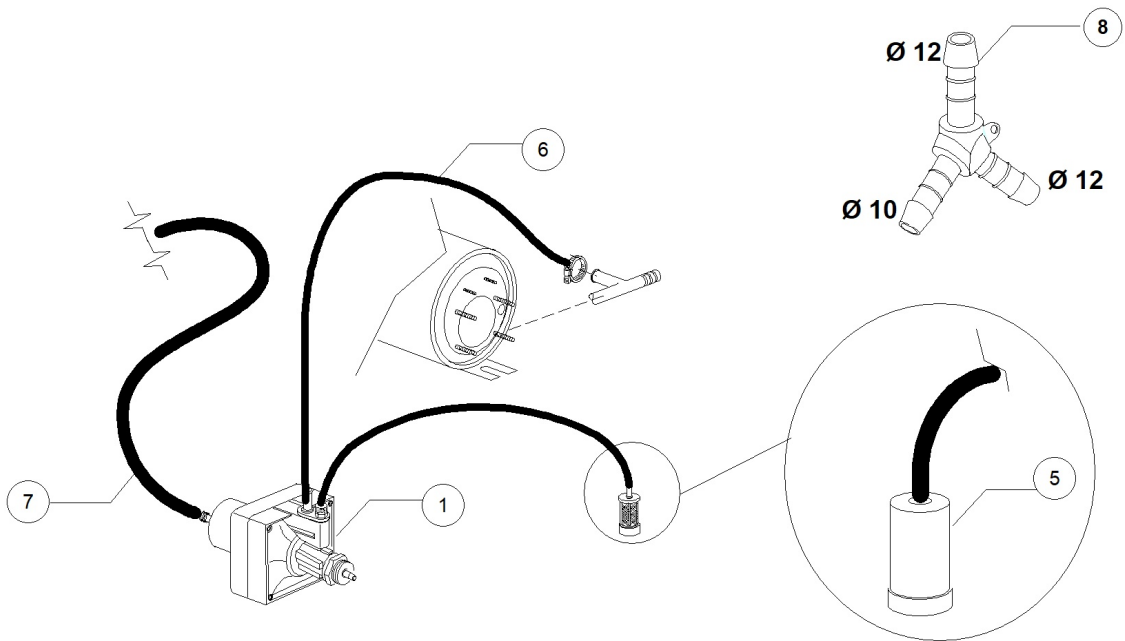
D-WASH 100 PS DDE 380-400/3N/50 EAC - DWR1001253 - Valvola di carico - DW014D

| Pos. | Codice | Descrizione | Description |
|------|------------|-----------------------------------|-----------------------------------|
| 1 | DW30001000 | ELETTROVALVOLA SINGOLA 90° D.14 | SINGLE SOLENOID VALVE 90° D.14 |
| 3 | DW11807 | FASCETTE AISI 430 12/22 | CLAMP 12/22 AISI 430 |
| 4 | DW13307 | GUARNIZ. 3/4 CARICO H2O DIS.LS061 | GUARNIZ. 3/4 CARICO H2O DIS.LS061 |



D-WASH 100 PS DDE 380-400/3N/50 EAC - DWR1001253 - Valvola DVGW - DW014D

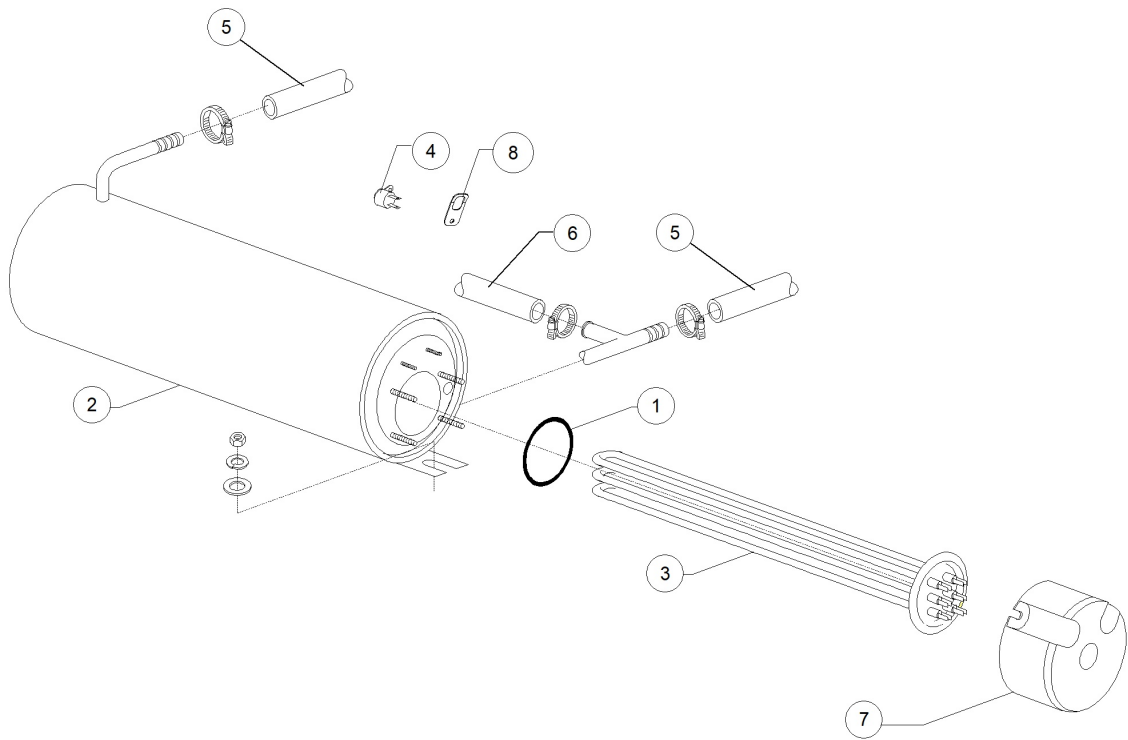
| Pos. | Codice | Descrizione | Description |
|------|-----------|--|-------------------------------|
| 1 | DW11807 | FASCETTE AISI 430 12/22 | CLAMP 12/22 AISI 430 |
| 2 | DW15280 | CORPO CENTRALE VALVOLA DVGW 07 | DRAIN VALVE CENTER BODY |
| 3 | DW15281 | DADO VALVOLA DVGW 07 | VALVE NUT |
| 4 | DW15282 | COPRI DADO VALVOLA DVGW 07 | VALVE NUT COVER |
| 5 | DW15283 | GUARNIZIONE VALVOLA DVGW 07 | VALVE GASKET |
| 6 | DW15284 | "SFERA 5/8" VALVOLA DVGW 07" | "5/8" BALL FOR DVGW VALVE 07" |
| 7 | DW15285 | GUARNIZIONE OR 115 KTW VALVOLA DVGW 07 | O-RING 115 KTW |
| 8 | DW14506 | TUBO GOMMA DIAM 9,5X16 EPDM | 9,5X16 EPDM RUBBER PIPE |
| 8 | DW2907351 | TUBO GOMMA EPDM 11,5X19 | 11,5X19 EPDM RUBBER PIPE |
| 9 | DW14506 | TUBO GOMMA DIAM 9,5X16 EPDM | 9,5X16 EPDM RUBBER PIPE |
| 9 | DW2907351 | TUBO GOMMA EPDM 11,5X19 | 11,5X19 EPDM RUBBER PIPE |



D-WASH 100 PS DDE 380-400/3N/50 EAC - DWR1001253 - Gruppo dosatore Brillantante - DW014D

| Pos. | Codice | Descrizione | Description |
|------|------------|------------------------------------|---------------------------|
| 1 | DW10799 | DOSATORE BRILLANTANTE (TECNO PRO) | RINSE AID DOSING PUMP |
| 2 | DW10805 | VALVOLE+MOLLE(2)DOS.BRILL.TECNOPRO | TECNOPRO NON RETURN VALVE |
| 3 | DW10806 | GUARNIZIONE D22 DOS.BRILL.TECNOPRO | GASKET D.22 |
| 4 | DW10807 | MEMBRANA X DOSATORE BRILL.TECNOPRO | MEMBRANE FOR DOSING PUMP |
| 5 | DW15058 | FILTRINO CON PESO ASPIR. DET/BRIL | SMALL FILTER (MIN. 3 PCS) |
| 6 | DW10200293 | TUBO EPDM 8X15 PER DOSATORE | 8X15 EPDM PIPE |
| 7 | DW14506 | TUBO GOMMA DIAM 9,5X16 EPDM | 9,5X16 EPDM RUBBER PIPE |

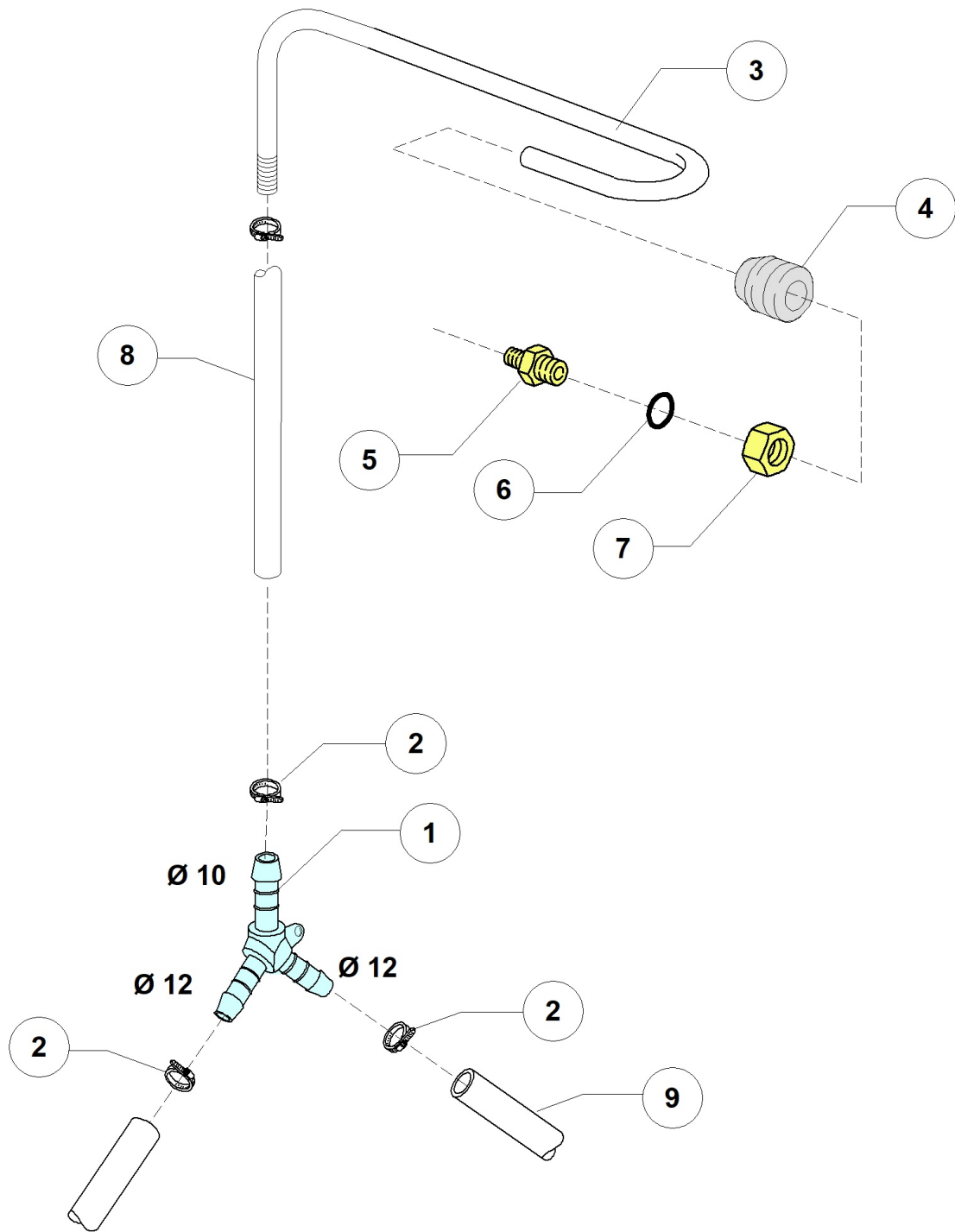
D-WASH 100 PS DDE 380-400/3N/50 EAC - DWR1001253 - Gruppo boiler - DW014D



D-WASH 100 PS DDE 380-400/3N/50 EAC - DWR1001253 - Gruppo boiler - DW014D

| Pos. | Codice | Descrizione | Description |
|------|------------|--|---|
| 1 | DW13005 | GUARNIZIONE OR 151 NBR | O-RING 151 NBR (MIN. 5 PCS) |
| 2 | DW150905 | "BOILER "SERIE 50" (AISI 304)" | BOILER 50 (AISI 304) |
| 3 | DW15089/E | RESIST.6000/6530W 230/240V 3 L378 | 6000/6530W 230/240V 3 L378 HEATING ELEM |
| 4 | DW15550/A | TERM SICUR. CONTATTO KLIXON SENZA STAFFA | KLIXON SAFETY THERMOSTAT |
| 5 | DW2907351 | TUBO GOMMA EPDM 11,5X19 | 11,5X19 EPDM RUBBER PIPE |
| 6 | DW10200293 | TUBO EPDM 8X15 PER DOSATORE | 8X15 EPDM PIPE |
| 7 | DW75311 | CUFFIOTTO PER RESISTENZA 26/03/97 | HEATING ELEMENT COVER |
| 8 | DW15552/A | STAFFETTA PER TERMOSTATO VASCA KLIXON | |

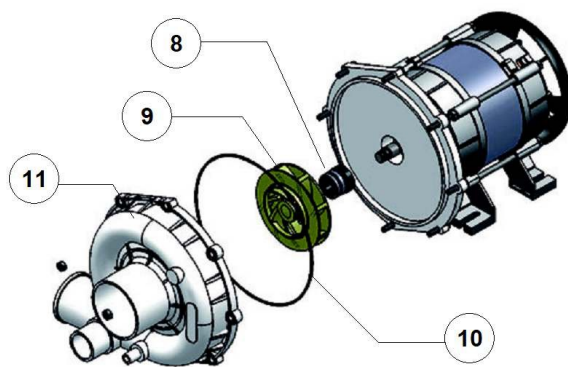
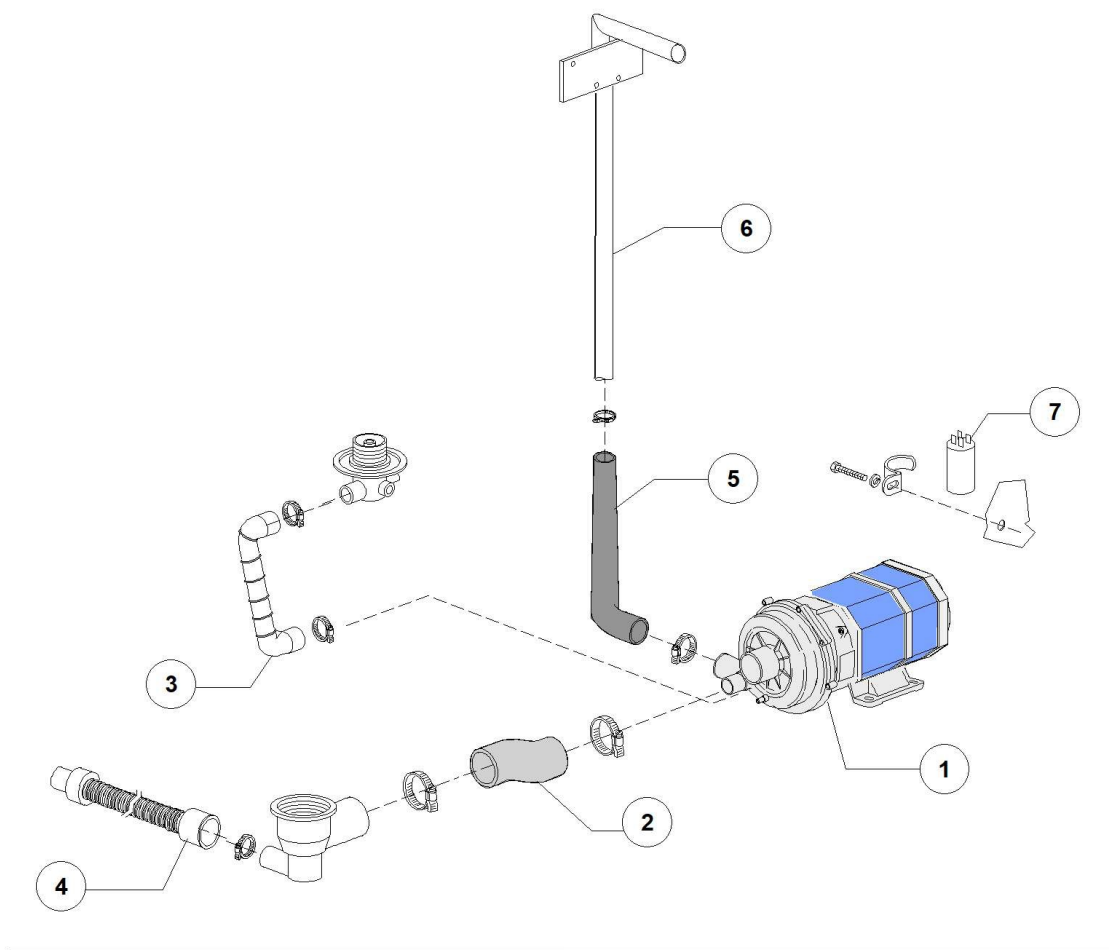
D-WASH 100 PS DDE 380-400/3N/50 EAC - DWR1001253 - Deviazione 3 vie - DW014D



D-WASH 100 PS DDE 380-400/3N/50 EAC - DWR1001253 - Deviazione 3 vie - DW014D

| Pos. | Codice | Descrizione | Description |
|------|-----------|-------------------------------------|------------------------------|
| 1 | DW540104 | DERIV. 3VIE Y D.12-12-10 PLASTICA | PLASTIC Y-PIECE D.12-12-10 |
| 2 | DW11807 | FASCETTE AISI 430 12/22 | CLAMP 12/22 AISI 430 |
| 3 | DW76082 | RAMPA RISC. 11/04-G12/03 COMPLETA | RINSE RISER 11/04 12/03 |
| 4 | DW13304 | GUARNIZIONE PASSATUBO 70SH | PIPE-PASS O-RING |
| 5 | DW12006 | RACC. TUBO RISC.DIAM.10 COMP. INOX | S/S RINSE PIPE FITTING D.10 |
| 6 | DW13003 | GUARNIZIONE OR 112 NBR | O-RING 112 NBR (MIN. 10 PCS) |
| 7 | DW12006/A | DADO3/8x3,5ES.19 X RACC.TUBO DIAM10 | "HEXAGONAL NUT 3/8" D.10" |
| 8 | DW14506 | TUBO GOMMA DIAM 9,5X16 EPDM | 9,5X16 EPDM RUBBER PIPE |
| 9 | DW2907351 | TUBO GOMMA EPDM 11,5X19 | 11,5X19 EPDM RUBBER PIPE |

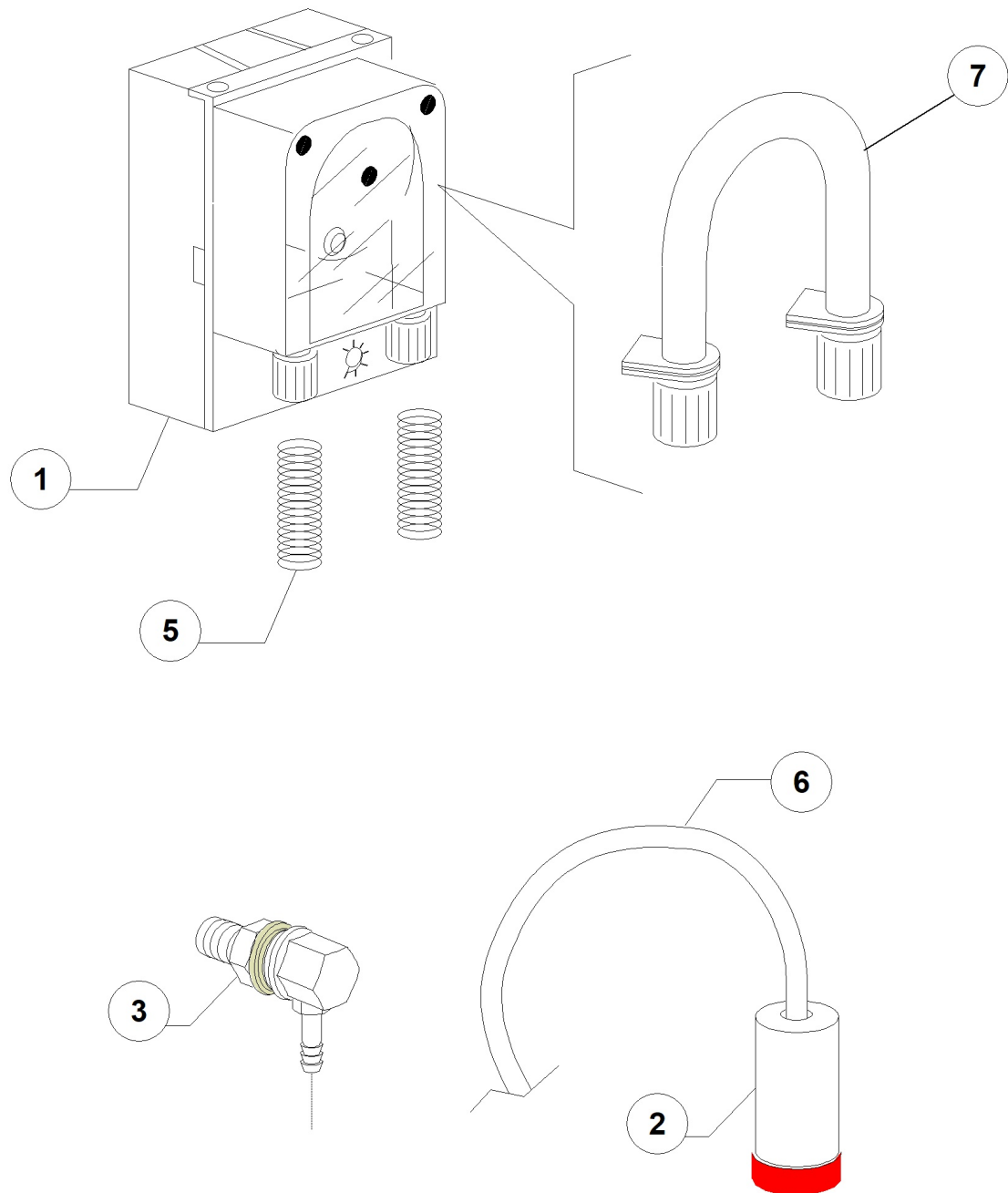
D-WASH 100 PS DDE 380-400/3N/50 EAC - DWR1001253 - Gruppo pompa di lavaggio - DW014D



D-WASH 100 PS DDE 380-400/3N/50 EAC - DWR1001253 - Gruppo pompa di lavaggio - DW014D

| Pos. | Codice | Descrizione | Description |
|------|------------|---|---------------------------------|
| 1 | DW15914 | POMPA L80.T75ECO 230V 50Hz 530W-10/2014 | PUMP 530W 230V/50HZ |
| 2 | DW25032 | MANICOTTO ASPIR.95 GS100 DIAM.60/60 | SUCTION PIPE COUPLING |
| 3 | DW76093 | MANICOTTO MANDATA INFERIORE HT11 | LOWER DELIVERY PIPE COUPLING |
| 4 | DW10727 | CANNA SCARICO mt.1.5 D.24 PICCOLA | DRAIN HOSE 1,5MT D.24 |
| 4 | DW15724 | CANNA B.T. D28/D24 DIRITTI L450 | BREAK TANK PIPE D.28/24 L450 |
| 5 | DW76078 | TUBO DIAM.50/35 MANDA.SUP.11/03 | TOP DELIVERY HOSE D.50/35 11/03 |
| 6 | DW11600103 | RAMPA LAVAGGIO G12/03-11S/03 | WASH RISER G12/03 11S/03 |
| 7 | DW15081/A | CONDENSATORE 16 uF.X450V. | 16 UF CONDENSER |
| 8 | DW15080 | PREMISTOPA+CONTROFACCIA | ROTATING SEALS |
| 9 | DW15079/N | GIRANTE D.82 CHIUSA (INS M10 SX) 15914 | |
| 10 | DW15080/A | GUARNIZIONE HP 1.5 | PUMP GASKET 1,5HP |
| 11 | DW15078 | CHIOCCIOLA POMPA 1,2HP | SCROLL FOR PUMP 1,2HP |

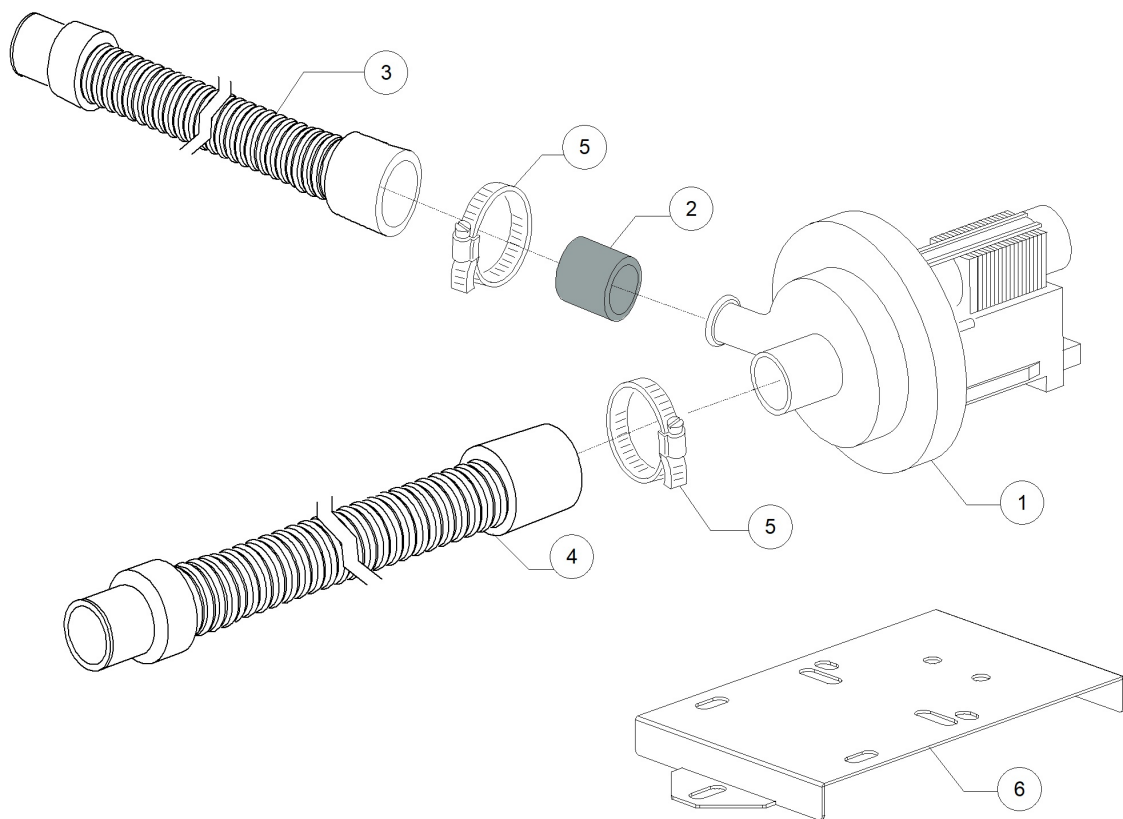
D-WASH 100 PS DDE 380-400/3N/50 EAC - DWR1001253 - Dosatore detersivo - DW014D



D-WASH 100 PS DDE 380-400/3N/50 EAC - DWR1001253 - Dosatore detersivo - DW014D

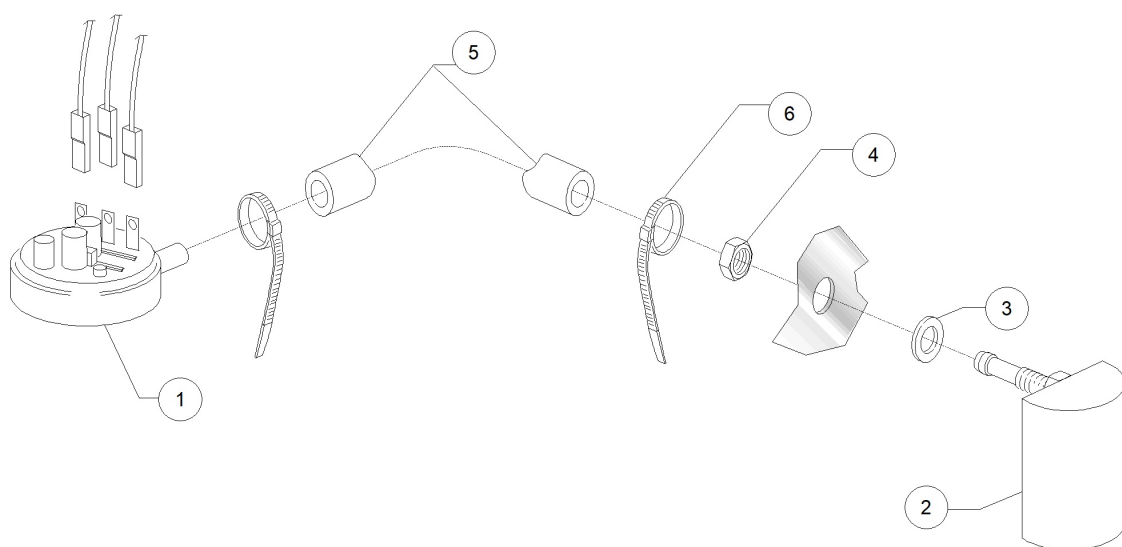
| Pos. | Codice | Descrizione | Description |
|------|-----------|------------------------------------|---------------------------------------|
| 1 | DW15985 | DOS.ELETT.DET REGOLABILE 0-3LT/H | DETERGENT DOSING PUMP 0-3L/H |
| 2 | DW15058 | FILTRINO CON PESO ASPIR. DET/BRIL | SMALL FILTER (MIN. 3 PCS) |
| 3 | DW15123 | INIETTORE DETER. A GOMITO INOX | S/S DOSING PUMP INJECTOR |
| 5 | DW10763 | MOLLA D.05 INOX PER TUB. D.6x4 PVC | PIPE S/S SPRING |
| 6 | DW14503 | TUBO PVC DIAM.6x4 TRASPARENTE | D.6X4 PVC TRANSPARENT HOSE |
| 7 | DW15108/E | TUBO TERMOPLASTICO DDE GERMAC | GERMAC DISPENSER THERMOPLASTIC HOSE |
| 7 | DW15185 | TUBO MEMBRANA DDE SEKO DET. | SEKO DISPENSER THERMOPLASTIC HOSE |
| 7 | DW15297 | TUBO MEMBRANA DDE SEKO 04/2013 | SEKO DISPENSER THERMOPLASTIC HOSE |
| 7 | DW15297/T | TUBO TERMOPLASTICO DDE TECNOPRO | TECNOPRO DISPENSER THERMOPLASTIC HOSE |
| 7 | DW15985/A | #TUBO TERMOPLASTICO DDE MICRODOS | MICRODOS THERMOPLASTIC PIPE |

D-WASH 100 PS DDE 380-400/3N/50 EAC - DWR1001253 - Gruppo pompa di scarico - DW014D



D-WASH 100 PS DDE 380-400/3N/50 EAC - DWR1001253 - Gruppo pompa di scarico - DW014D

| Pos. | Codice | Descrizione | Description |
|------|-----------|------------------------------------|------------------------------|
| 1 | DW15101 | POMPA SCARICO SINCR. 220/240V 50Hz | DRAIN PUMP 220-240V/50HZ |
| 2 | DW15101/D | MAN.COMP.USCITA PS 28x22 L21 | PIPE COUPLING 28X22 L21 |
| 3 | DW10727 | CANNA SCARICO mt.1.5 D.24 PICCOLA | DRAIN HOSE 1,5MT D.24 |
| 4 | DW15724 | CANNA B.T. D28/D24 DIRITTI L450 | BREAK TANK PIPE D.28/24 L450 |
| 5 | DW11806 | FASCETTE AISI 430 25/40 | CLAMP 25/40 AISI 430 |

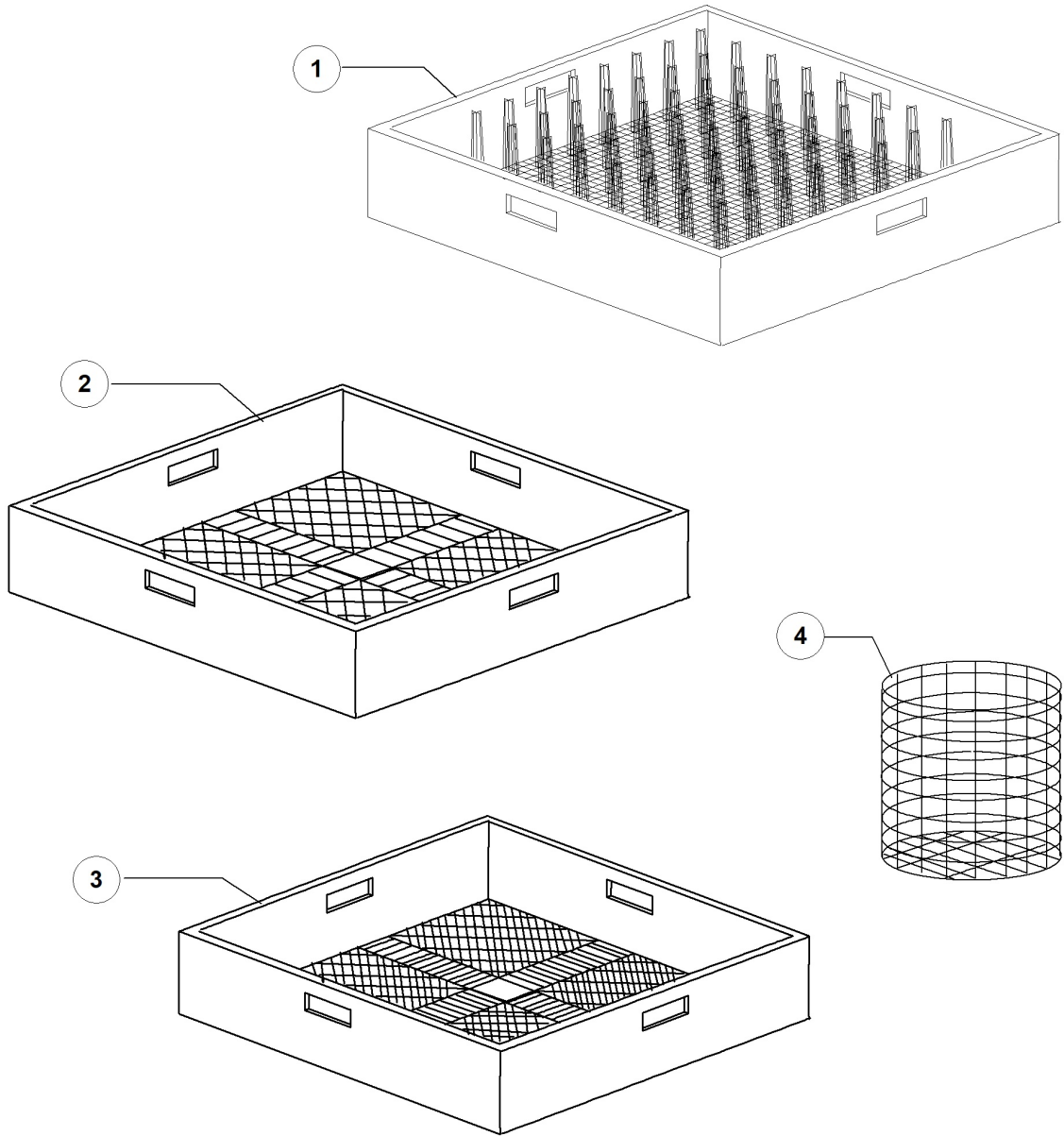


D-WASH 100 PS DDE 380-400/3N/50 EAC - DWR1001253 - Pressostato - DW014D

| Pos. | Codice | Descrizione | Description |
|------|------------|----------------------------------|-------------------------------------|
| 1 | DW10706/A | "PRESSOSTATO "EL." 46-26" | PRESSURE SWITCH 46-26 |
| 2 | DW135911/B | ASSIEME GABBIA D'ARIA GRIGIA L75 | GREY AIR TRAP ASSEMBLY L75 |
| 3 | DW13301 | GUARNIZ. IN FASTIT 202 D14x8x1,5 | O-RING ROLMART D14X8X1,5 |
| 4 | DW11702 | DADO M8 INOX UNI5588 DIN934 | S/S NUT M8 DIN934 (MIN. 20 PCS) |
| 5 | DW14508 | TUBO EPDM 4.5X9 PER PRESSOSTATO | EPDM HOSE 4.5X9 FOR PRESSURE SWITCH |
| 6 | DW10738 | FASCETTA PLASTICA 98X2.5 | PLASTIC CLAMP 98X2,5 |

D-WASH 100 PS DDE 380-400/3N/50 EAC - DWR1001253 - Gruppo lavaggio-risciacquo - DW014D

| Pos. | Codice | Descrizione | Description |
|------|------------|--|--|
| 1 | DW13319 | ROND. SCORRIM. PTFE+CB H11 | SLIDING WASHER PTFE+CB H11 (MIN.2 PCS) |
| 2 | DW11101/I | VITE FISS. GRUPPI CON PIOLINO INOX | GROUP FASTENING S/S SCREW |
| 3 | DW10260 | #PIASTRINA PER GIRANTE GRIGIA | BLOCKING RING NUT ROTOR PLAQUE (MI |
| 4 | DW11004 | VITE TCB D.8 DENTATA 4X10 SPAX | 4X10 TCB D.8 SPAX TOOTHED SCREW |
| 5 | DW10369 | TESTA UGEL.LAV.95 3,5 GRIGIO (MIN 10) | WASH NOZZLE (BATCH 10PCS) |
| 6 | DW13009 | GUARNIZIONE OR 2050 NBR | O-RING 2050 NBR (MIN. 40 PCS) |
| 7 | DW13002 | GUARNIZIONE OR R6 NBR | O-RINGR R6 NBR (MIN. 10 PCS) |
| 8 | DW10371 | TESTA UGEL. RISC. 95 APER. GRIG.(MIN 10) | OPENED RINSE NOZZLE (BATCH 10PCS) |
| 9 | DW13025 | GUARNIZIONE OR 2081 | O-RING 2081 |
| 10 | DW500760/A | CORPO CENTR GIR LAVAG+RISC PLASTICA 2017 | PLASTIC RINSE/WASH ROTOR 2017 |
| 11 | DW500754 | TUBO LAV. SX GRIGIO SERIE 2006 | GREY LEFT WASH ARM 2006 |
| 12 | DW500753 | TUBO LAV. DX GRIGIO SERIE 2006 | GREY RIGHT WASH ARM 2006 |
| 13 | DW500751 | TUBO RISC. DX GRIGIO SERIE 2006 | GREY RIGHT RINSE ARM 2006 |
| 14 | DW500752 | TUBO RISC. SX GRIGIO SERIE 2006 | GREY LEFT RINSE ARM 2006 |
| 15 | DW500761 | GIRANTE LAVAG+RISC PLASTICA 49-10/2017 | WASH/RINSE ROTOR |
| 16 | DW10372 | TESTA UGEL.RISC.95 CHIU. GRIGIO (MIN 10) | CLOSED RINSE NOZZLE (BATCH 10PCS) |
| 17 | DW500760/B | RACC UGEL GIR LAVAG+RISC PLASTICA 2017 | PLASTIC ELBOW WITH NOZZLE 2017 |
| 18 | DW500760/C | RACC NO UGEL GIR LAV+RISC PLASTICA 2017 | PLASTIC ELBOW WITHOUT NOZZLE 2017 |
| 19 | DW500612 | TORRETTA SUP./INF. GS GRIGIO | WASH ARMS'LOWER / UPPER SUPPORT GS |
| 20 | DW13015 | GUARNIZIONE 6225 OR 160 NBR | 6225 O-RING 160 NBR |
| 21 | DW76087 | ASSE INFERIORE D12 HT ECO/2015 | WASH-TANK TURRET SHAFT D.12 |
| 22 | DW500167 | ASSE SUPERIORE D10 GS-HT ECO/2015 | UPPER AXLE D10 GS-HT ECO/2015 |
| 23 | DW76085 | ASSE RISC.SUP.GIRANTE PLASTICA 11/04 | |
| 24 | DW76088 | MANICOTTO INF HT PER ASSE ECO/2015 GRIG | LOWER PIPE COUPLING |
| 25 | DW76083 | TORRETTA INOX GIRANTE PLASTICA 11/04 | |
| 26 | DW75319 | "GOMITO RISCIAQUO G 1/4" | "RINSE ELBOW G1/4" |
| 27 | DW500169 | CORONA ASSI GS-HT ECO/2015 | AXIS SPACER |



D-WASH 100 PS DDE 380-400/3N/50 EAC - DWR1001253 - Cesti - DW014D

| Pos. | Codice | Descrizione | Description |
|------|---------|-------------------------------------|---------------------------------------|
| 1 | DWC40 | CESTO PIATTI PLASTICA 50X50 | PLASTIC PLATES BASKET 500X500 |
| 2 | DWC44 | CESTO BICCHIERI MAGL.LARGA PLASTICA | 500X500 LARGE MESH GLASS BASKET |
| 3 | DWC41 | CESTO POSATE MAG.STRETTA PLASTICA | CUTLERY BASKET - TIGHT MESH (PLASTIC) |
| 4 | DW15060 | INSERTO CUCCHIAINI GRANDI DIS.G.060 | CUTLERY BASKET |

