

Modular Platform

Viale Treviso, 15
33170 Pordenone - Italy
Fax: +390434-380577

SPARE PARTS CATALOGUE
CATALOGO PARTI DI RICAMBIO
FRIGGITRICI ELETTRICHE 14L N700
ELECTRIC FRYERS 14L N700

PNC	Model	Ref.	Page	Notes
178 124	PFR/E1S12	a	1-4	Electric Fryer (int. heat. Elements) 14Lt 400MM
178125	PFR/E2D12	b	1-4	Electric Fryer (int. heat. Elements) 14+14Lt 800MM
178133	PFR/ED12E5	c	1-4	Electric Fryer (int. heat. Elements) 14+14Lt 800MM - 230V

Pag. 1 - 2
Pag. 3 - 4

Index
Frame and components
Spare parts list

Indice
Struttura e componenti
Lista ricambi

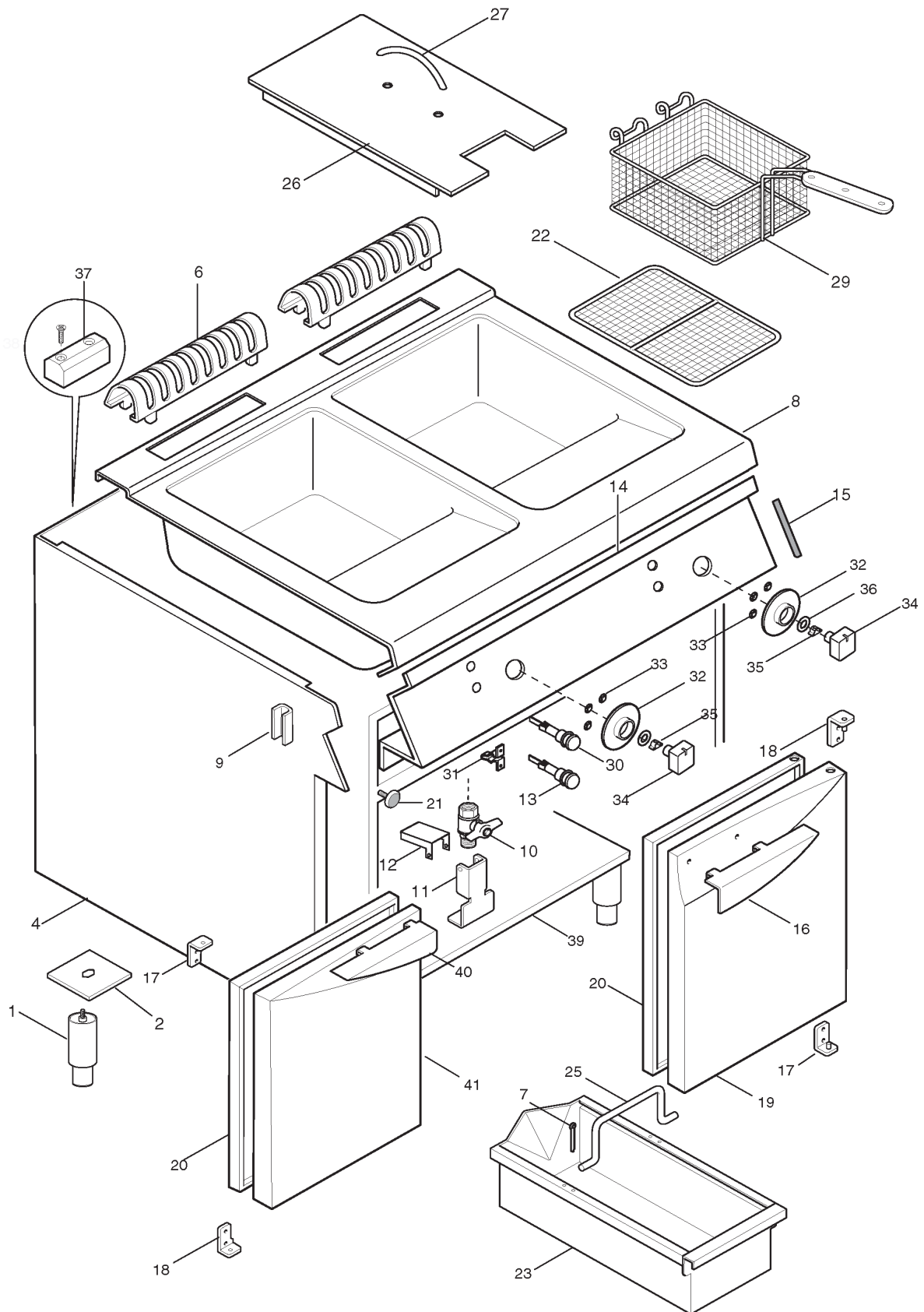
Brand / Marchio : Zanussi
Factory code: 9PDX

Da Ser. Nr. / From ser. nr.: 525.....

Ed. 2008 03

Doc. Nr.:

2 -05 140

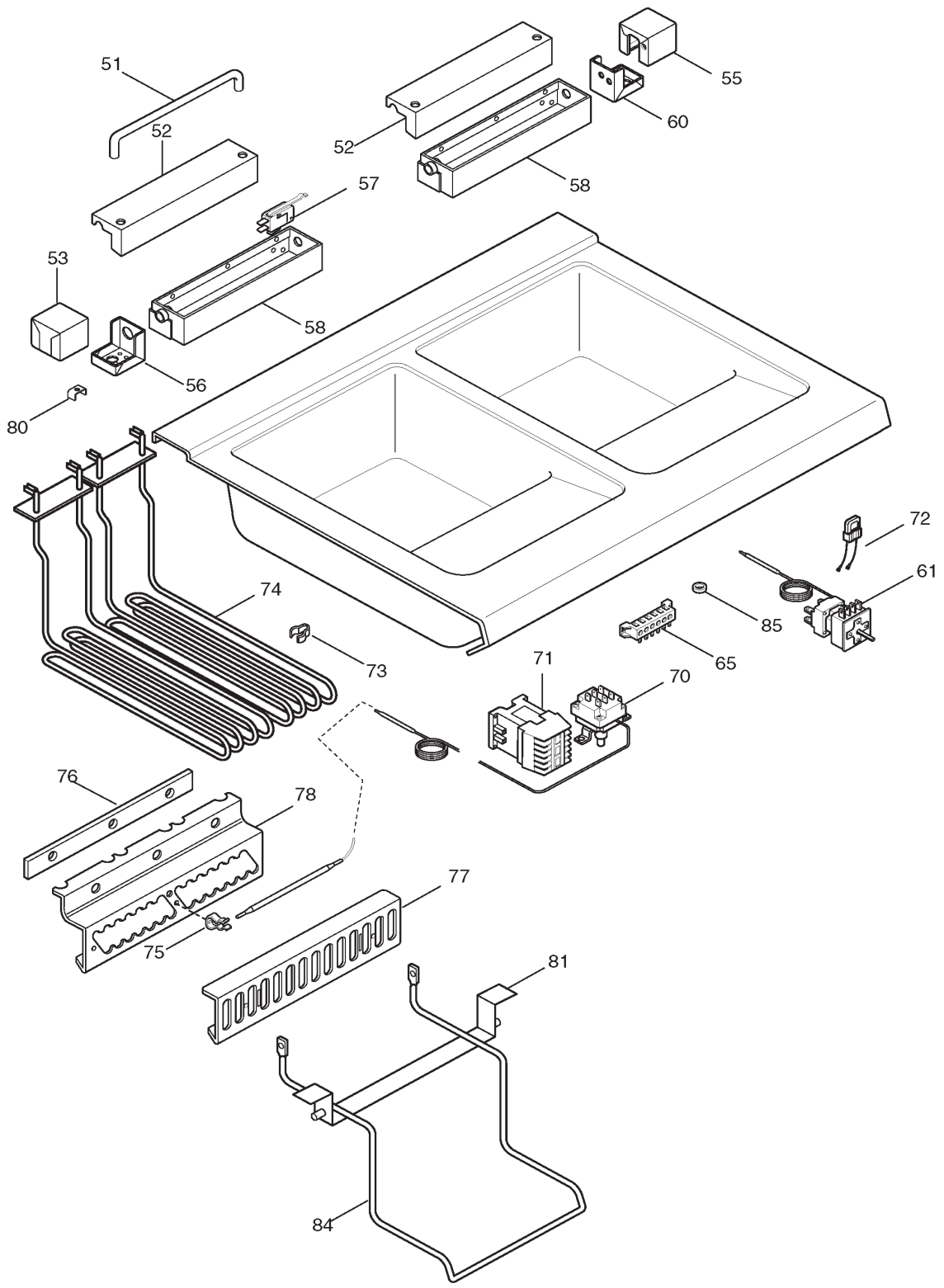


FRIGGITRICI ELETTRICHE 14L N700
ELECTRIC FRYERS 14L N700

Da Ser. Nr. / From ser. nr.: 525.....	Page: 1	Ed. 2005 07	Doc. Nr.: 2 - 05 140
---------------------------------------	---------	-------------	-----------------------------

??????	178125								
??????	2-05140		???????? 2				Frame and components		
.		Alias		S			.		(Euro)
0001	0C0204	0835856900						FOOT; Ø=50,5MM; PIN M10; AISI 304	22,77
0002	0C0122	0508898900		S				PLAQUE	3,44
0004	000000	0530867300						b,c	
0006	0C2527	0522898200						CHIMNEY GRID	66,54
0007	0C0477	0219293205						COTTER PIN	1,05
0008	0C2635	0873856401			D			COVERING PLATE WITH TANK; 12LT+12LT; ASS	933,30
0009	0C0156	0527850500						BRACKET	2,48
0010	005927	0835848600		S				DRAIN VALVE	26,73
0011	0C0763	0525885100						PROTECTION	14,63
0012	0C0764	0508883202						SUPPORT	13,12
0013	005011	0876800102				Kit		YELLOW PILOT LAMP ASSY; ROUND; 230V	5,36
0014	0C0610	0835866000						CONTROL PANEL	96,09
0015	0C2496	0543821900		S				GASKET; CONTROL PANEL; BY METER: GREY	6,25
0016	0C0463	0530844200	0CA803					HANDLE	
0017	0C0138	0516860801						HINGE	6,03
0018	0C0139	0516860901						HINGE	6,03
0019	0C0567	0529837201						DOOR; RIGHT	104,44
0020	0C0177	0529836800						INNER DOOR	34,99
0021	0C0201	0830898200						MAGNET	18,83
0022	005965	0830885400		S				GRILL	29,80
0023	005922	0522854700						BASIN	125,33
0025	005922	0516843002						BASIN	125,33
0026	0C2702	0522894600						LID	69,66
0027	0C0614	0511819000		S				HANDLE	15,60
0029	005933	830822601						BASKET; MM 225X325X120H; FOR FRYER5X120H	42,44
0030	005010	0876800002						GREEN PILOT LAMP ASSY; ROUND; 230V	4,90
0031	053342	0518801801						SPRING; FOR BRAND	1,07
0032	0C0615	0548858900						RING NUT	6,01
0033	069567	0218912211	0C6288					RING CONNECTION	
0034	0C0257	0548856800						KNOB	9,72
0035	025245	0214590701		S				KNOB SPRING	1,05
0036	053816	0543821000						GASKET; ØI=4,5MM; ØE=14MM; H=3MM	3,45
0037	0C0137	0516860700				+		PLATE	
0039	000000	0800835000							
0039	000000	0800835100							
0040	0C0180	0530844300	0CA804					HANDLE; LEFT	

??????	178125								
??????	2-05140	???????? 2	Frame and components						
.		Alias		S			.		
0041	0C0179	0529837300						DOOR	(Euro) 104,44



FRIGGITRICI ELETTRICHE 14L N700
ELECTRIC FRYERS 14L N700

Da Ser. Nr. / From ser. nr.: 525.....	Page: 2	Ed. 2008 03	Doc. Nr.: 2-05 140
---------------------------------------	---------	-------------	---------------------------

??????	178125								
??????	2-05140	???????? 3	Frame and components						
.		Alias		S		.			(Euro)
0051	0C2578	0516880800						SUPPORT; BASKET 12 LT	29,35
0052	0C2942	0522894400						LID; BOX	31,33
0053	0C2943	0528851500						COVERING; LH	23,50
0055	0C2944	0528851400						COVERING; RH	23,50
0056	0C2945	0528851100						SUPPORT; LH	19,63
0057	002785	0640803300						MICROSWITCH	11,85
0058	0C2947	0853892402			D			HEATING ELEMENT BOX; RH	
0060	0C2946	0528851000						SUPPORT; RH	19,63
0061	052330	0446578713						THERMOSTAT WITH SWITCH; 90-185°C	63,86
0065	058613	0A05714000		S				TERMINAL BOARD	a,b 9,22
0070	004472	0646808800				20024		SAFETY THERMOSTAT; 245°C	80,83
0071	082986	0648803300						CONTACTOR; 220-240V 50HZ/240-264V 60HZ	
0073	052262	0214582200						SPRING	2,30
0074	0C2616	0617831800		S	A			HEATING ELEMENT; 2900W 230V	58,49
0075	056330	0506879501						CLAMP; FOR SAFETY THERMOSTAT BULB	4,28
0076	0C0052	0525885501						CROSSPIECE	10,55
0077	0C0054	0522806401						RUNNER	13,12
0078	0C0053	0522806201						RUNNER	19,53
0080	002505	0506873801						PLAQUE	4,40
0081	005366	0805847002						SUPPORT	19,53
0084	0C2581	0516883101						STIRRUP	26,12
0085	0C0068	0544802300						FIXING CABLE	4,30