

10 GN 1/1 AND 10 GN 2/1 ELECTRIC CONVECTION OVEN
FORNO CONVEZIONE ELETTRICO 10 GN 1/1 E 10 GN 2/1

| PNC | Model | Ref. | Page | Notes |
|------------|--------------|-------------|-------------|---|
| 240 206 | FCF/E 10 1/1 | a | 1-2-3 | Forno convezione elettrico 10 Gn 1/1 " Zanussi " |
| 240 207 | FCF/E 10 2/1 | b | 1-2-3 | Forno convezione elettrico 10 Gn 2/1 " Zanussi " |
| 260 706 | ECF/E 10 1/1 | c | 1-2-3 | Forno convezione elettrico 10 Gn 1/1 " Electrolux " |
| 775 106 | ZCF/E 10 1/1 | d | 1-2-3 | Forno convezione elettrico 10 Gn 1/1 " Zoppas " |
| 775 107 | ZCF/E 10 2/1 | e | 1-2-3 | Forno convezione elettrico 10 Gn 2/1 " Zoppas " |
| 260 707 | ECF/E 10 2/1 | f | 1-2-3 | Forno convezione elettrico 10 Gn 2/1 " Electrolux " |
| 724 056 | NCF/E 10 1/1 | g | 1-2-3 | Forno convezione elettrico 10 Gn 1/1 " Nordton " |
| 724 057 | NCF/E 10 2/1 | h | 1-2-3 | Forno convezione elettrico 10 Gn 2/1 " Nordton " |
| 697 306 | ACF/E 10 1/1 | i | 1-2-3 | Forno convezione elettrico 10 Gn 1/1 " Alpeninox " |
| 697 307 | ACF/E 10 2/1 | m | 1-2-3 | Forno convezione elettrico 10 Gn 2/1 " Alpeninox " |
| 697 503 | RCF/E 10 1/1 | n | 1-2-3 | Forno convezione elettrico 10 Gn 1/1 " Roeder " |
| 240 212 | FCF/E 10 1/1 | o | 1-2-3 | Forno convezione elettrico 10 Gn 1/1 " Zanussi " |

| | Index | Indice | Note |
|--------|-----------------------|----------------------|-------------|
| Pag. 1 | Oven cabinet | Cella forno | |
| 2 | Door | Porta | |
| 3 | Electrical components | Componenti elettrici | |
| 4-7 | Spare parts list | Lista ricambi | |

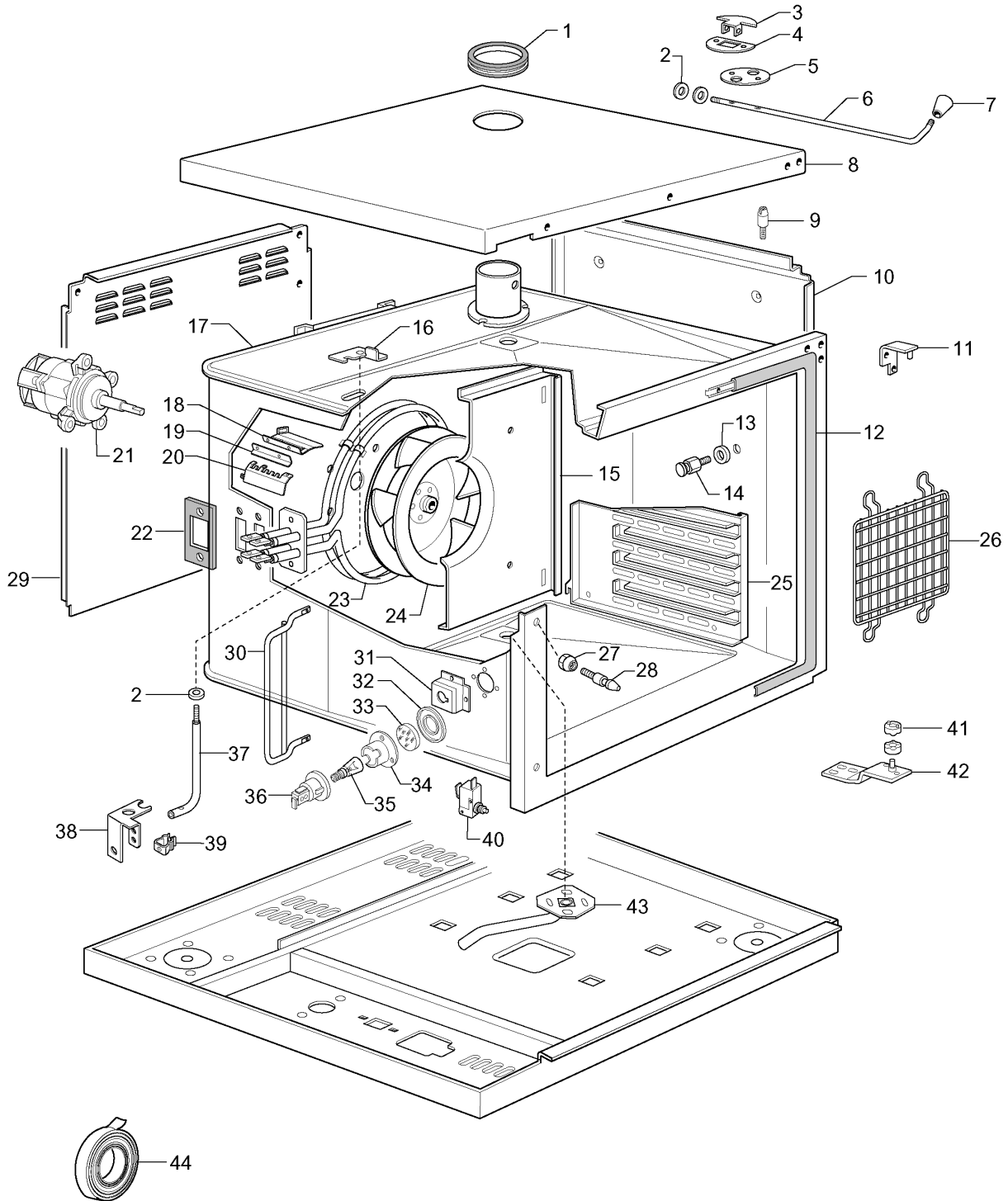
Brand / Marchio: Z - E - P - A - N
Factory code: 9PDX

OS / DOC

From ser. nr. / Da Ser. Nr. : 703.....

Ed. 2008 11

Doc. Nr.: **3 - 01 004**



10 GN 1/1 AND 10 GN 2/1 ELECTRIC CONVECTION OVEN
 FORNO CONVEZIONE ELETTRICO 10 GN 1/1 E 10 2/1

From ser. nr. / Da Ser. Nr. : 703.....

Page: 1

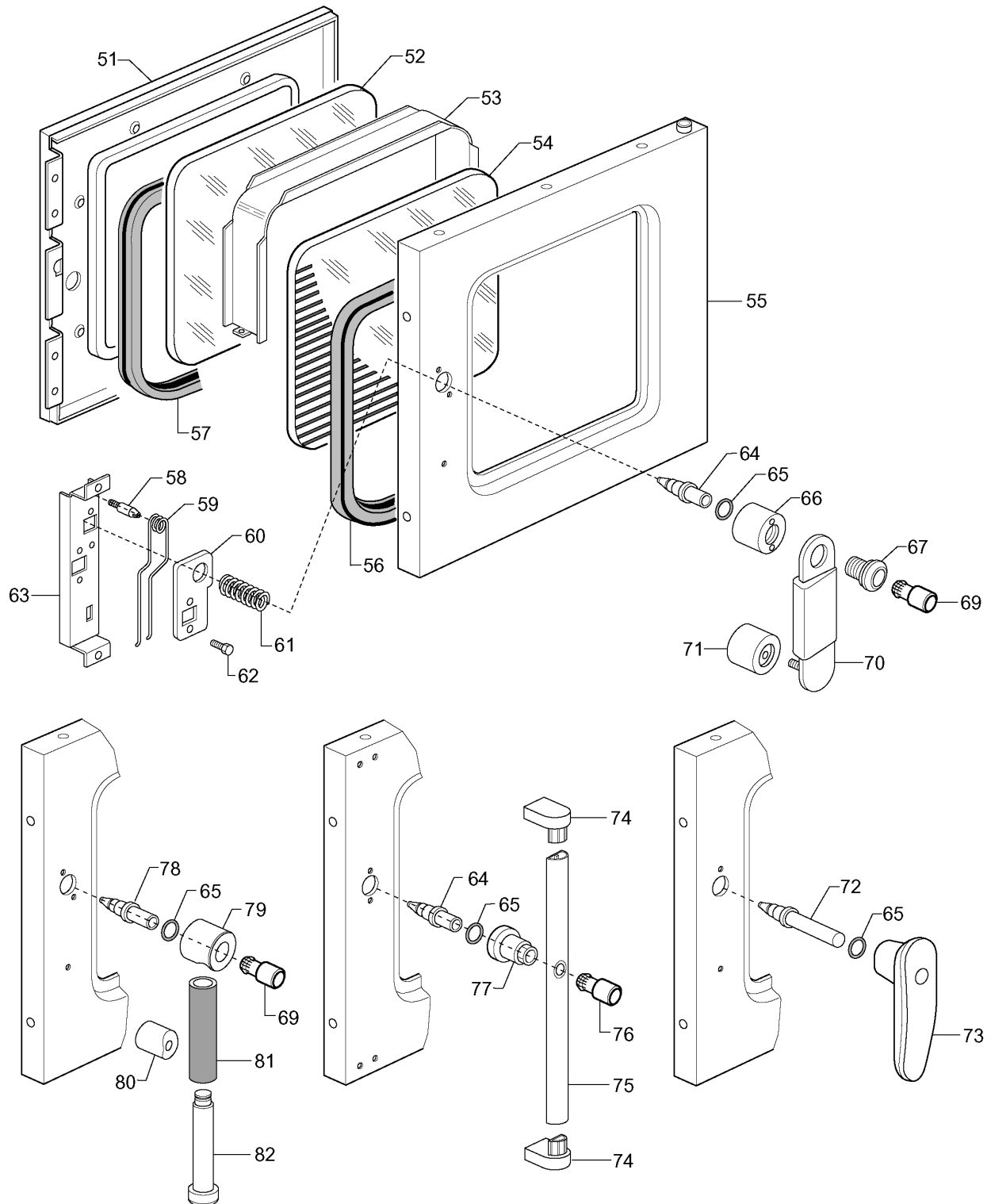
Ed. 2008 11

Doc. Nr.:

3 - 01 004

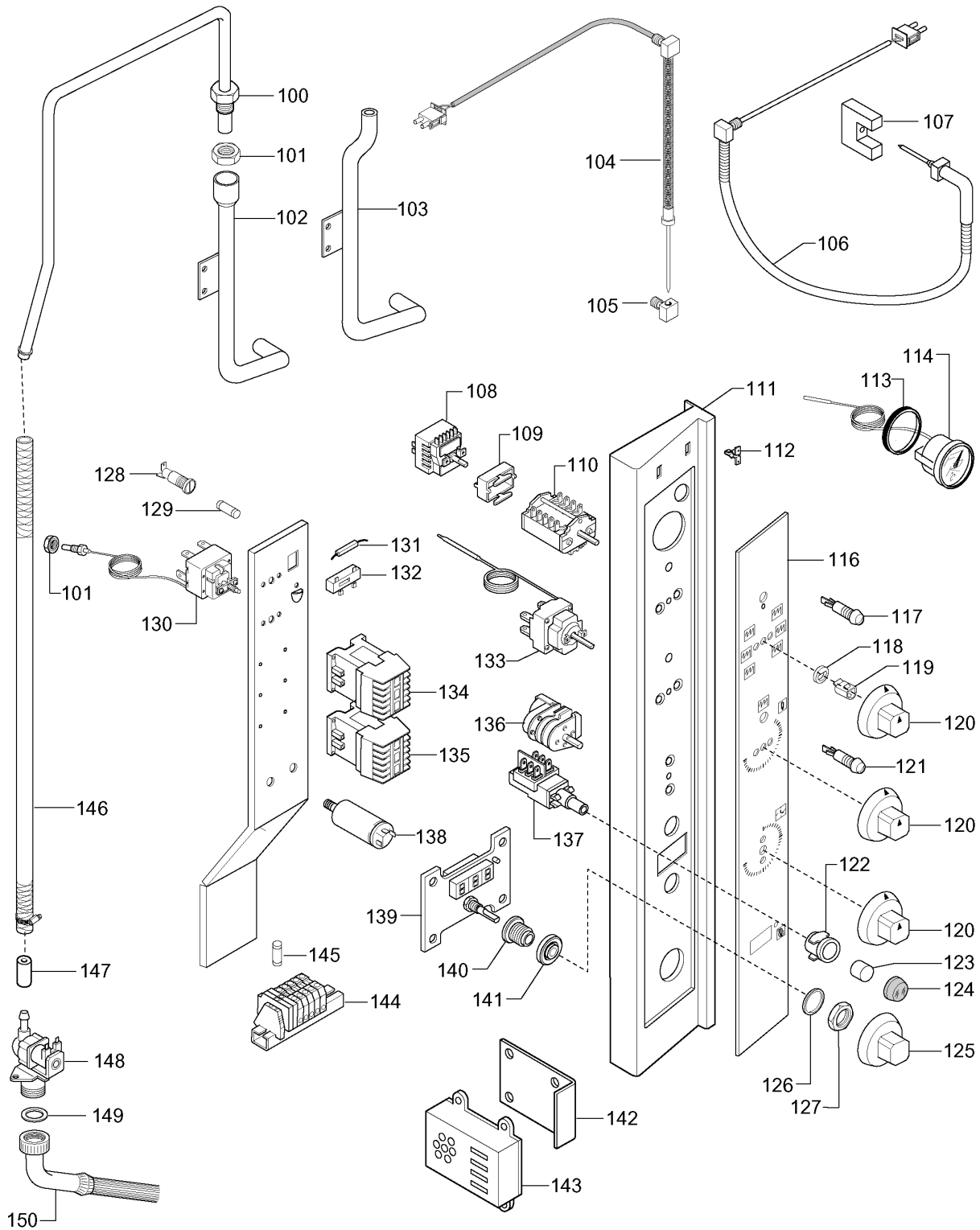
| ?????? | 240206 | | | | | | | | | |
|--------|---------|------------|--------------|---|---|---|--|---|--|-------------------------------------|
| ?????? | 3-01004 | ???????? 2 | Oven cabinet | | | | | | | |
| . | | Alias | | S | | . | | | | (Euro) |
| 0001 | 053829 | | | | | | | | BUFFER | 11,50 |
| 0002 | 057762 | | | | | | | | WASHER SPRING; DIA 12,5/6,2X0,7MM | 1,22 |
| 0003 | 000000 | 506878100 | | | | | | | | a,c,d,g,l,n,o |
| 0004 | 000000 | 506878200 | | | | | | | | a,c,d,g,l,n,o |
| 0006 | 000000 | 516823800 | | | | | | | | a,c,d,g,l,n,o |
| 0007 | 029898 | | | | | | | | HANDLE | 7,39 |
| 0008 | 000000 | 521882103 | | | | | | | | a,c,d,g,l,n,o |
| 0009 | 052126 | | | | | | | | PIN | 1,89 |
| 0010 | 000000 | 521880302 | | | | | | | | a,c,d,g,l,n,o |
| 0010 | 000000 | 874889801 | | | | | | | | a,c,d,g,l,n,o |
| 0011 | 003720 | | | | | | | | HINGE | 32,78 |
| 0012 | 005712 | | | | | | | | DOOR GASKET; 665X730 MM | 97,44 |
| 0013 | 003225 | | | | | | | | SPACER | 5,91 |
| 0014 | 004390 | | | | | | | | PIN | 6,76 |
| 0015 | 0A5396 | | | | | | | | WALL | 98,66 |
| 0016 | 000000 | 525855300 | | | | | | | | |
| 0017 | 000000 | 850865907 | | | | | | | | a,c,d,g,l,n,o |
| 0018 | 006256 | | | | | | | | BLADE; FOR FIXING HEATING ELEMENT | 15,20 |
| 0019 | 006253 | | | S | | | | | ANGLE | 9,19 |
| 0020 | 006255 | | | | | | | | SUPPORT | 19,89 |
| 0021 | 002616 | | 0F0007 | | | | | | MOTOR | a,c,d,g,l,n,o - 190W/240V50/60Hz |
| 0022 | 003726 | | | | | | | | GASKET | 3,40 |
| 0023 | 002688 | | | | | | | | HEATING ELEMENT; 5666W 230V | a,c,d,g,l,n |
| 0023 | 0C5243 | | | S | A | | | | HEATING ELEMENT; 230V-5666W WITH FASTON | a,c,d,g,l,n,o |
| 0024 | 053782 | | 054890 | | | | | | FAN BLADE | a,c,d,g,l,n,o - 50 Hz |
| 0025 | 003707 | | | | | | | | R.H. LIGHT DIFFUSER | a,c,d,g,l,n,o |
| 0025 | 003708 | | | | | | | | L.H. LIGHT DIFFUSER | a,c,d,g,l,n,o |
| 0026 | 059620 | | | | | | | | PROTECTION | 35,12 |
| 0027 | 003685 | | | | | | | | LOCK NUT | 7,92 |
| 0028 | 003712 | | | | | | | | CATCH | 16,57 |
| 0029 | 000000 | 521881101 | | | | | | | | |
| 0030 | 000000 | 830813800 | | | | | | | | |
| 0031 | 000000 | 508840702 | | | | | | | | |
| 0032 | 002628 | | | | | | | | FLANGE | 4,01 |
| 0033 | 002627 | | | | | | | + | LAMP GLASS | 10,24 |
| 0034 | 002626 | | | | | | | + | LAMP HOLDER GASKET | 15,39 |

| ?????? | 240206 | | | | | | | | |
|--------|---------|------------|--------------|---|--|--|---|-----------------------|--------|
| ?????? | 3-01004 | ???????? 2 | Oven cabinet | | | | | | |
| . | | Alias | | S | | | . | | (Euro) |
| 0035 | 054840 | | | | | | | LAMP; 240V 25W | 3,63 |
| 0036 | 002625 | | | | | | | LAMP HOLDER | 5,95 |
| 0037 | 000000 | 516823000 | | | | | | | |
| 0038 | 004719 | | | | | | | BRACKET | 12,63 |
| 0039 | 066823 | | | | | | | BULB FIXING SPRING | 1,89 |
| 0040 | 046063 | | | | | | | DOOR MICROSWITCH | 9,90 |
| 0041 | 002653 | | | | | | | SPACER FOR HINGE | 13,62 |
| 0042 | 003721 | | | | | | | HINGE | 27,81 |
| 0043 | 003776 | | | | | | | DISCHARGE HOSE | 27,41 |
| 0044 | 006451 | | | S | | | | ALLUMINIUN TAPE; 50MT | 31,36 |



10 GN 1/1 AND 10 GN 2/1 ELECTRIC CONVECTION OVEN
 FORNO CONVEZIONE ELETTRICO 10 GN 1/1 E 10 2/1

| ?????? | 240206 | | | | | | | | | |
|--------|---------|-----------|------------|---|--|---|--|---------------------|--|--------|
| ?????? | 3-01004 | | ???????? 3 | | | | Door | | | |
| . | | Alias | | S | | | . | | | (Euro) |
| 0051 | 003711 | | | | | | INNER DOOR | | | 146,20 |
| 0052 | 002644 | | | | | | GLASS; | | | 46,39 |
| 0053 | 000000 | 524820101 | | | | | | | | |
| 0055 | 003710 | | | | | | DOOR | a,b,d,e,g,h,l,m,n,o | | |
| 0056 | 002878 | | | | | | DOOR GLASS GASKET; EXTERNAL; 2 MT | | | 53,80 |
| 0057 | 003739 | | | | | | GASKET; DOOR GLASS; COUNTERDOOR; 2 MT | | | 68,01 |
| 0058 | 052220 | | 0G6450 | | | | SCREW | | | |
| 0059 | 054282 | | | | | | SPRING; FOR DOOR LOCK | | | 8,34 |
| 0060 | 000000 | 527801200 | | | | | | | | |
| 0061 | 053757 | | | | | | SPRING | | | 3,17 |
| 0062 | 053759 | | | | | | SCREW | | | 2,64 |
| 0063 | 000000 | 525864802 | | | | | | | | |
| 0064 | 003747 | | | | | | RETRACTOR | a,b,d,e,o | | 39,79 |
| 0065 | 052779 | | | | | | O-RING; ØI=20,35X1,78 MM | | | 1,02 |
| 0066 | 000000 | 516827303 | | | | | | a,b,o | | |
| 0067 | 005624 | | | | | A | SLIDE; FOR PUSH-BUTTON, FCF HANDLE | a,b,o | | 55,22 |
| 0069 | 053992 | | | | | | PUSH BUTTON | a,b,g,h,l,m,n,o | | 5,17 |
| 0070 | 003683 | | | | | | HANDLE | a,b,o | | 109,60 |
| 0071 | 000000 | 516827402 | | | | | | a,b,o | | |



10 GN 1/1 AND 10 GN 2/1 ELECTRIC CONVECTION OVEN
 FORNO CONVEZIONE ELETTRICO 10 GN 1/1 E 10 2/1

| ?????? | 240206 | | | | | | | | |
|--------|---------|------------|-----------------------|---|---|-----|--|---------------------------|--------|
| ?????? | 3-01004 | ???????? 4 | Electrical components | | | | | | |
| . | | Alias | | S | | . | | | (Euro) |
| 0000 | 000000 | 167098016 | | | | | | | |
| 0000 | 000000 | 167098082 | | | | | | | |
| 0000 | 003926 | | 0CB101 | | | | SILICONE SEALANT - RED RTV 106; 310 ML | type RTV106 | 32,00 |
| 0000 | 005866 | | | | | | SILICONE ADHESIVE; 310ML | used for oven gasket | 113,70 |
| 0000 | 006083 | | | S | | | ADHESIVE SILICON; GR.100 | used, bulb oven thermost. | 36,00 |
| 0100 | 006234 | | | | | | PIPE | a,c,d,g,l,n,o | 46,08 |
| 0101 | 006245 | | | | | | NUT | | 4,75 |
| 0102 | 003752 | | | | | | PIPE | a,c,d,g,l,n,o | 141,10 |
| 0104 | 002673 | | | | | | CORE PROBE; PT1000 | a,c,d,g,l,n,o | 165,40 |
| 0105 | 002674 | | | | | | STOPPING | a,c,d,g,l,n,o | 20,30 |
| 0108 | 055016 | | | | | | ENERGY REGULATOR | | |
| 0109 | 054376 | | | | | | BRACKET | | 1,48 |
| 0110 | 055017 | | 0C6245 | | | | COMMUTATOR; 8 POS. | | |
| 0111 | 005335 | | | | | | CONTROL PANEL | a,b,o - Zanussi | |
| 0112 | 053342 | | | | | | SPRING; FOR BRAND | | 1,02 |
| 0113 | 053809 | | | | | | GASKET | | 1,02 |
| 0114 | 056383 | | | S | A | | THERMOMETER; 50-350°C | | 75,62 |
| 0116 | 003838 | | | | | | MEMBRANE | a,b,o - Zanussi | 37,96 |
| 0117 | 058544 | | | | | | GREEN PILOT LIGHT; ROUND; 230/240V | | 3,80 |
| 0118 | 003955 | | | | | Kit | GASKET; SET 50 PCS | | 13,74 |
| 0119 | 025245 | | | S | | | KNOB SPRING | | 1,02 |
| 0120 | 002672 | | | | | | KNOB | a,b,o - Zanussi | 7,85 |
| 0121 | 058522 | | | | | | ORANGE PILOT LAMP; ROUND; 230/240V | | 3,59 |
| 0122 | 003767 | | | | | | SUPPORT | | 2,22 |
| 0123 | 003768 | | | | | | CAP COVER | | 2,74 |
| 0124 | 053979 | | | | | | PROTECTION; FOR PUSH-BUTTON | | 1,47 |
| 0125 | 002671 | | | | | | KNOB | a,b,o - Zanussi | 5,95 |
| 0126 | 002727 | | | | | | WASHER | | 1,02 |
| 0127 | 051263 | | | | | | LOCK NUT | | 3,80 |
| 0128 | 056582 | | | | | | FUSE HOLDER | | 10,08 |
| 0129 | 002820 | | | | | | FUSE; 160MA; SLOW-ACTING | | 1,25 |
| 0130 | 002730 | | | | | | SAFETY THERMOSTAT; 338 C | | 77,67 |
| 0131 | 058872 | | | | | | COMPETANCE RESISTANCE; 100 OHM | | 4,38 |
| 0132 | 058873 | | | | | | TERMINAL BOARD | | |
| 0133 | 056384 | | | | | | THERMOSTAT; 50-296 C | | 45,62 |
| 0134 | 003598 | | | | | | CONTACTOR; 220-240V 50HZ/240-264V 60HZ | K2 - 12 A10 -220 | |

| ?????? | 240206 | | | | | | | | |
|--------|---------|-----------|------------|---|---|----------------|-----------------------|---|--|
| ?????? | 3-01004 | | ???????? 4 | | | | Electrical components | | |
| . | | Alias | | S | | | . | | (Euro) |
| 0134 | 088477 | | | S | A | | | CONTACTOR; 220-240V 50HZ/240-264V 60HZ | 28,84 |
| 0135 | 006879 | | | S | A | | | CONTACTOR; 220-240V 50HZ/240-264V 60HZ | a,c,d,g,l,n,o - K3 18 A -230V 37,68 |
| 0135 | 058805 | | | | | | | CONTACTOR; 220/240V 50/60HZ | a,c,d,g,l,n,o - K2 - 16 A10 -220 |
| 0136 | 003833 | | | | | 30029 | | TIMER; 120 MIN; 230V 50/60HZ | |
| 0137 | 003766 | | | | | | | SWITCH | 9,80 |
| 0138 | 056148 | | | | | | | CAPACITOR; 10MF | a,c,d,g,l,n,o 6,53 |
| 0139 | 003763 | | | S | A | | | CORE PROBE PCB | 272,00 |
| 0140 | 002662 | | | | | | | BUSH | 6,02 |
| 0141 | 002663 | | | | | | | GASKET | 5,39 |
| 0142 | 000000 | 506866503 | | | | | | | |
| 0143 | 055368 | | | | | | | BUZZER | |
| 0144 | 059794 | | | | | | | TERMINAL BOARD | 26,80 |
| 0145 | 058871 | | | | | | | FUSE; 6,3A; 5X20; QUICK ACTING | 1,02 |
| 0146 | 002707 | | | | | PDD2005 -18 | | ARMORED RUBBER HOSE; BY METER | |
| 0147 | 002091 | | | S | | | | GAS SUPPLY REGULATOR; Ø=0,6MM | 10,56 |
| 0148 | 055132 | | | | | | | SOLENOID VALVE; ES180 230V 50/60HZ | |
| 0149 | 061488 | | | | | | | GASKET; ØI=15MM; ØE=24MM | 1,00 |
| 0150 | 053789 | | | | | | | FEEDER HOSE; 3/4"F, L=150 CM | |