

Ovens PlatformViale Treviso, 15
33170 Pordenone - Italy
Fax: +39 0434-380577**10 GN 1/1 ELECTRIC STEAM - CONVECTION OVEN
FORNO CONVEZIONE- VAPORE ELETTRICO 10 GN 1/1**

PNC	Model	Ref.	Page	Notes
260 452	AOS101EA	a	2-3-4-5-6-7	Level/Livello A
260 453	AOS101EB	b	2-3-4-5-6-7	Level/Livello B
260 458	AOS101EA3J	c	2-3-4-5-6-7	Level/Livello A
260 459	AOS101EB3J	d	2-3-4-5-6-7	Level/Livello B
260 464	AOS101EA2N	e	2-3-4-5-6-7	Level/Livello A
260 465	AOS101EB2N	f	2-3-4-5-6-7	Level/Livello B
260 512	AOS101EA0H	g	2-3-4-5-6-7	Level/Livello A
260 513	AOS101EB0H	h	2-3-4-5-6-7	Level/Livello B

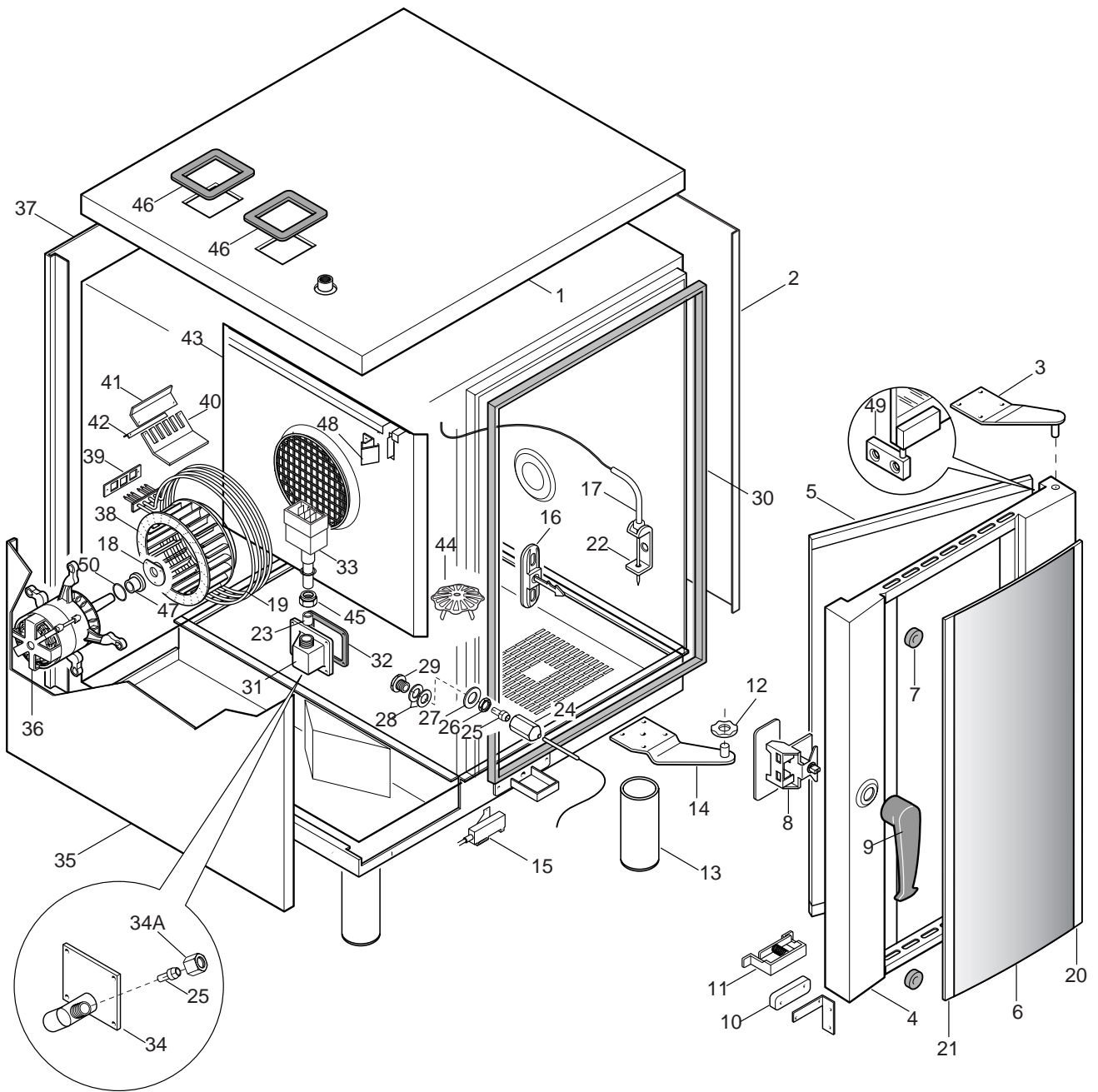
Index

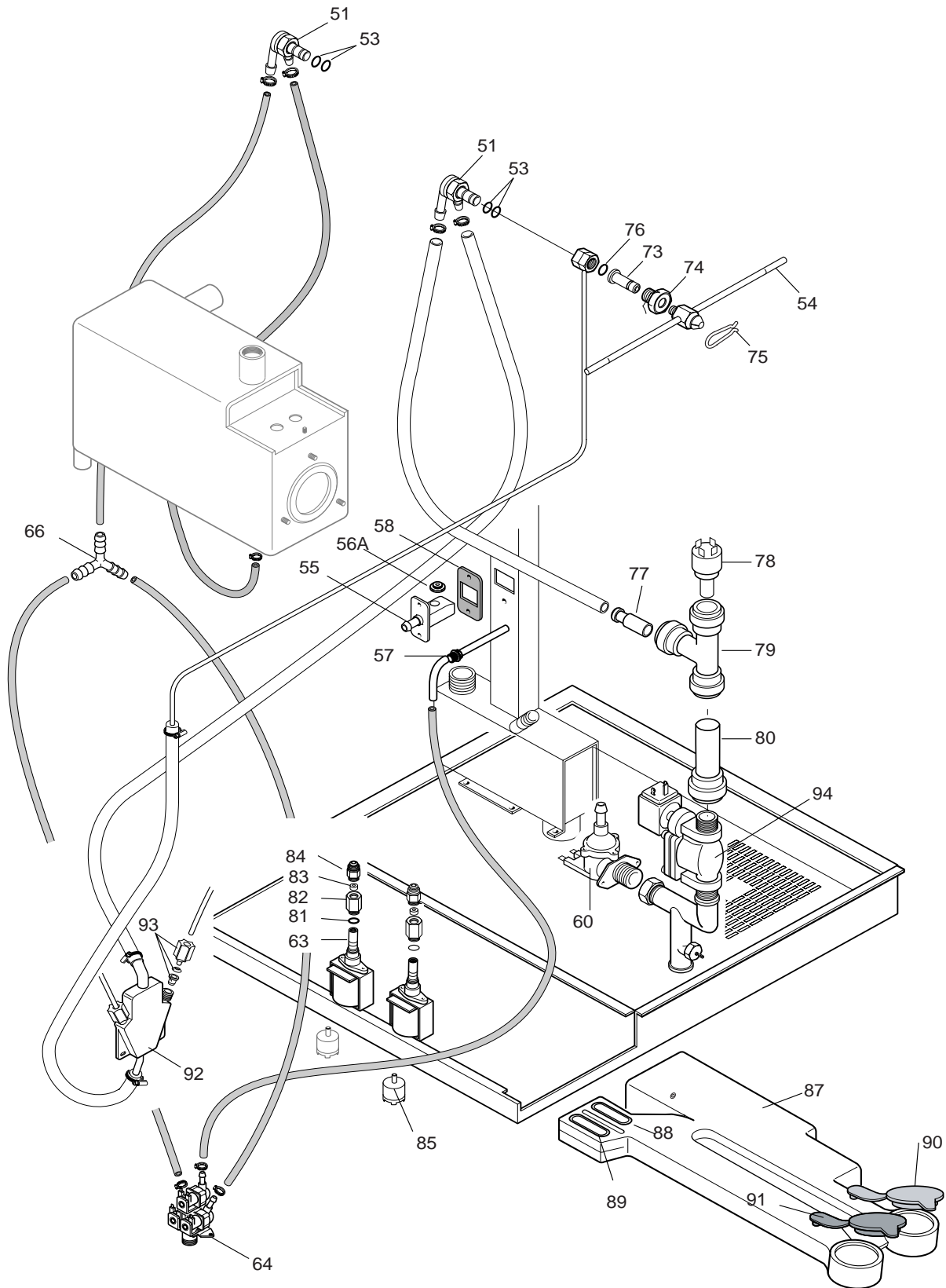
Pag.	2	Oven cabinet and door
	3	Water system
	4	Watersystem new
	5	Boiler
	6	Electrical components
	7	Tray support
	8-11	Spare part list

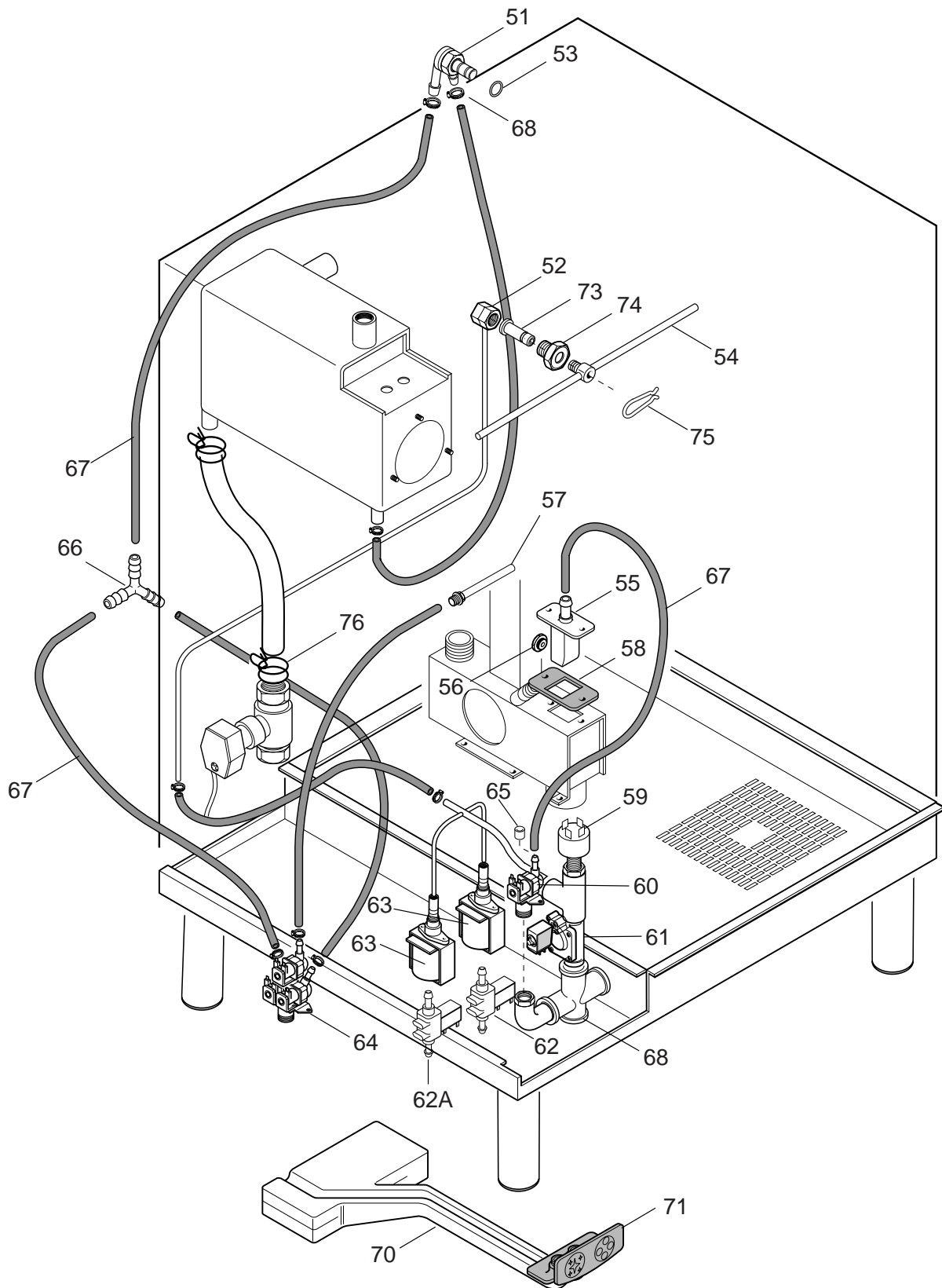
Indice

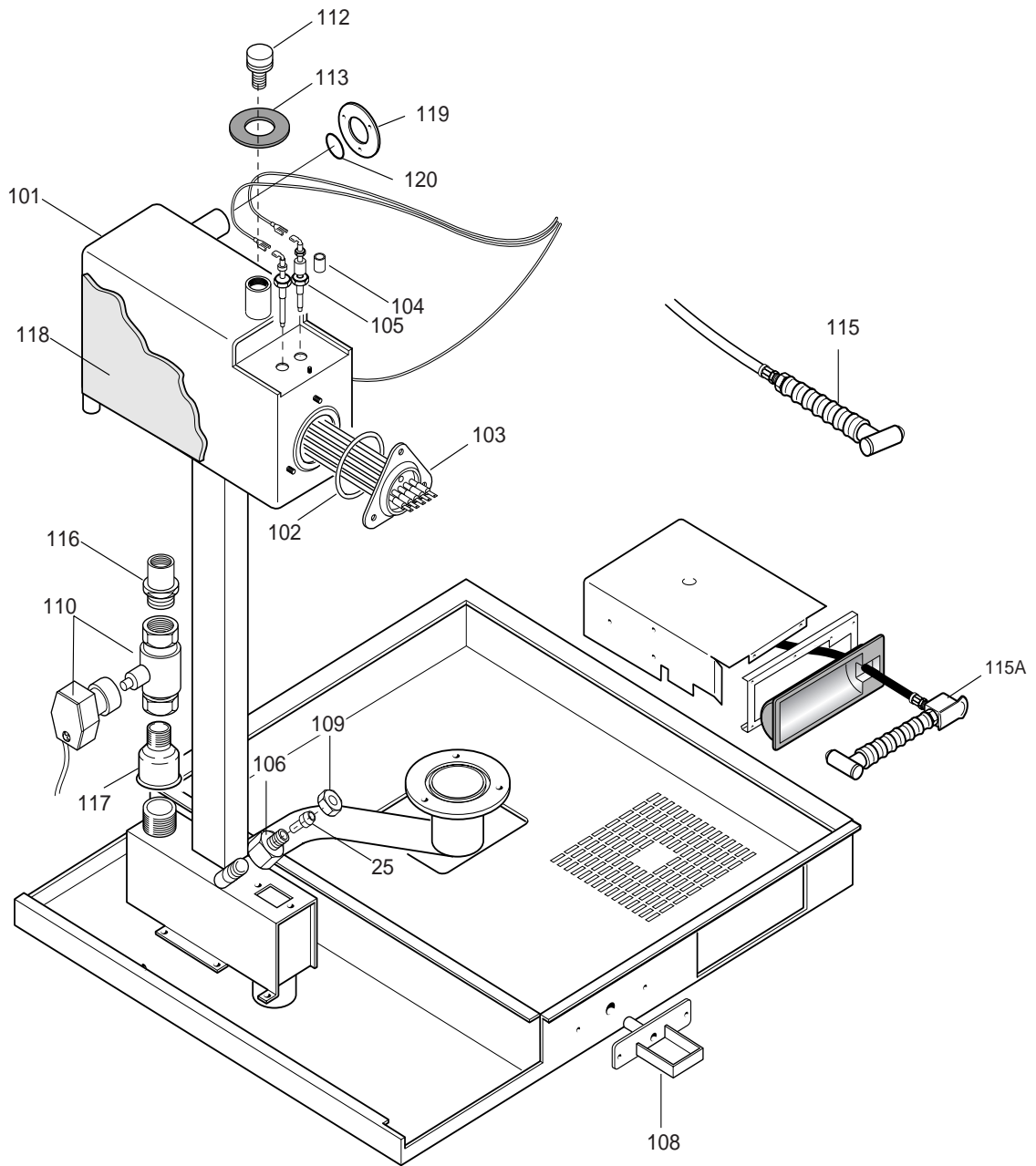
Cella forno e porta
Impianto idraulico
Impianto idraulico nuovo
Boiler
Componenti elettrici
Struttura portateglie
Lista ricambi

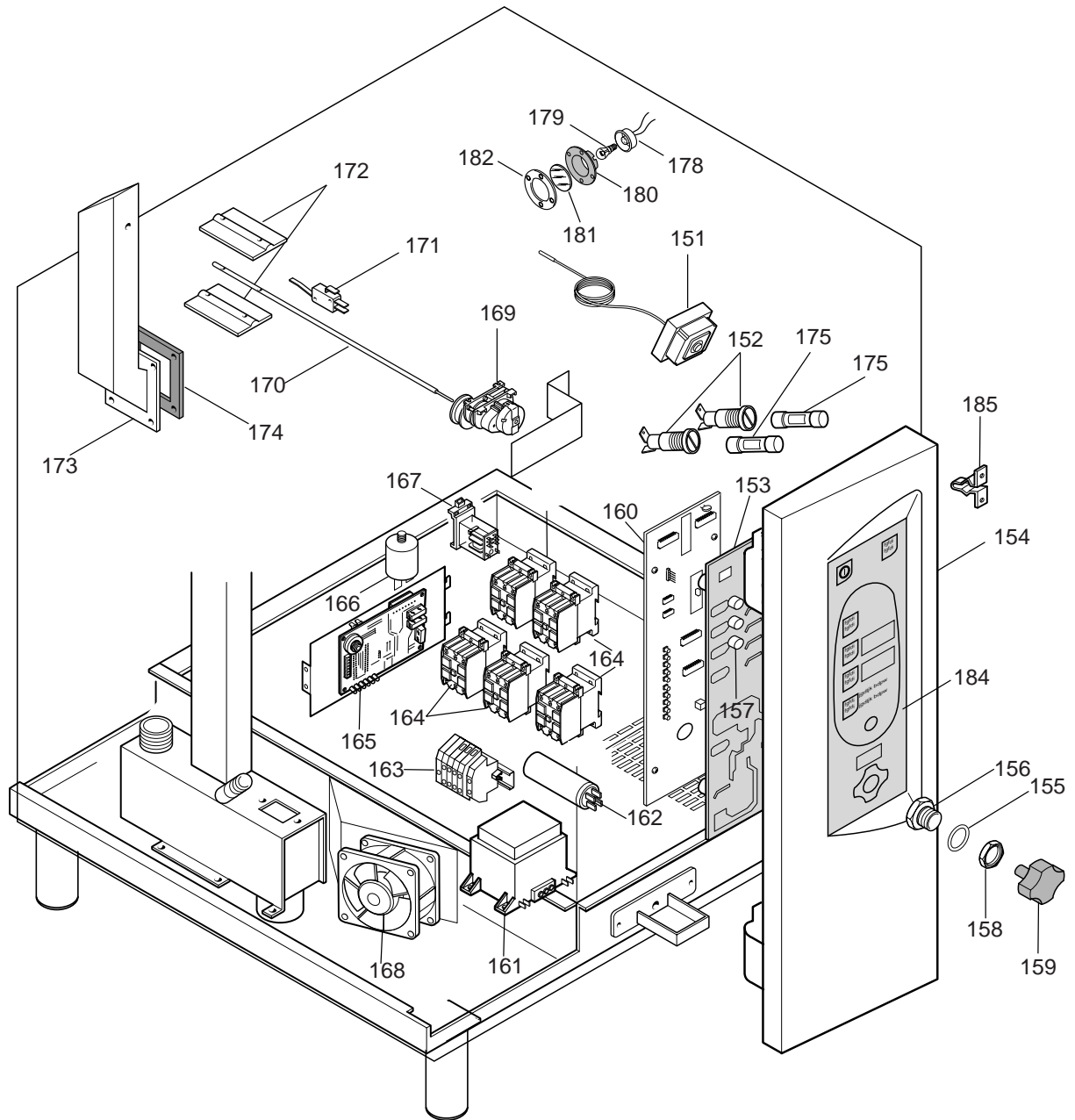
Brand / Marchio : ELECTROLUX
Factory code: 9PDX

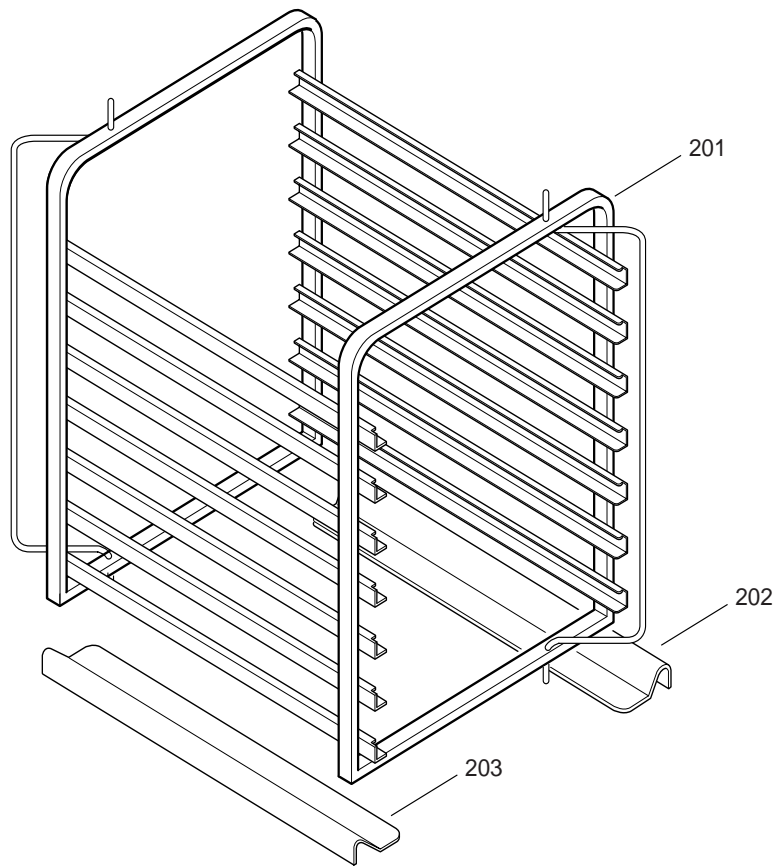












10 Gn 1/1 Electric steam - convection oven
Forno convezione - vapore elettrico 10 Gn 1/1

PNC		Model		Ref.		PNC		Model		Ref.	
260 452		AOS101EA0S		a		260 464		AOS101EA2N		e	
260 453		AOS101EB0S		b		260 465		AOS101EB2N		f	
260 458		AOS101EA3J		c		260 512		AOS101EA0H		g	
260 459		AOS101EB3J		d		260 513		AOS101EB0H		h	

Pos	Factory Code	6DGT Code	Descrizione	Description	Ref./ Notes
			Pagina 2	Page 2	
1	0851803802	0C1516	COPERCHIO	COVER	
2	0522844104	007060	FIANCO DX	RIGHT SIDE PANEL	
3	0512816003	007086	CERNIERA SUPERIORE	UPPER HINGE	
4	0873826308	007110	PORTA COMPLETA	COMPLETE DOOR	
5	0806818901	007061	VETRO INTERNO	INNER GLASS	
6	0574809300	007062	VETRO ESTERNO	EXTERNAL GLASS	
7	0543828001	006976	AMMORIZZA TORE	DAMPER	
8	0835854704	006977	CHIUSURA	CLOSING MECHANISM	
9	0831820700	0C1616	MANIGLIA	DOOR HANDLE	
10	0699603700	049627	MAGNETE	MAGNET	
11	0835854601	006979	SCARICO CONDENSA	DRAIN DEVICE	
12	0510815700	002653	POSIZIONATORE	SPACER FOR HINGE	
13	0516811700	006699	PIEDE DI SERVIZIO	SERVICE FOOT	
14	0512816102	006980	CERNIERA INFERIORE	LOWER HINGE	
15	0654600000	049621	INTERRUTTORE MAGNETICO	MAGNETIC SWITCH	
16	0831820800	0C2215	NA SELLO	DOOR CATCHER	
17	0830891802	0C0222	SONDA SPILLONE (6 PUNTI)	MEAT PROBE (6 POINTS)	
17	0830891803	007109	SONDA SPILLONE (6 PUNTI)	MEAT PROBE (6 POINTS)	a-c-e-g (up to SN 249)
17	0830891805	0C0956	SONDA SPILLONE (6 PUNTI)	MEAT PROBE (6 POINTS)	a-c-e-g (from SN 250 to SN 344)
17	0830895400	0C0224	SONDA SPILLONE (SINGOLO PUNTO)	MEAT PROBE (SINGLE POINT)	a-c-e-g (from SN 345)
17	0830895401	007063	SONDA SPILLONE (SINGOLO PUNTO)	MEAT PROBE (SINGLE POINT)	b-d-f-h (up to SN 249)
17	0830895402	0C0972	SONDA SPILLONE (SINGOLO PUNTO)	MEAT PROBE (SINGLE POINT)	b-d-f-h (from SN 250 to SN 344)
18	0508839300	006670	FLANGIA	FLANGE	
19	0617823801	007064	RESISTENZA (5.6 kW/400V)	HEATING ELEMENT (5.6 kW/400V)	a-b-g-h
19	0617826800	007065	RESISTENZA (5.6 kW/200V)	HEATING ELEMENT (5.6 kW/200V)	c-d
19	0617826900	007066	RESISTENZA (5.6 kW/230V)	HEATING ELEMENT (5.6 kW/230V)	e-f
20	0806818701	007067	PROFILO DX	RIGHT TRIM	
21	0806818801	007068	PROFILO SX	LEFT TRIM	
22	0527842001	006989	SUPPORTO SPILLONE	MEAT PROBE SUPPORT	
23	0215170716	050682	OGIVA DA 12	OGIVA	
24	0516855300	006991	DADO SONDA CELLA	NUT, CAVITY PROBE	
25	0516809301	002701	TENUTA SONDA	GASKET, PROBE	
26	0214105101	020997	CONTRODADO	LOCK NUT	
27	0508838701	002700	RONDELLA	WASHER	
28	0543816300	002624	TENUTA	GASKET	
29	0516809400	002623	RACCORDO SONDA CELLA	CONNECTION, CAVITY PROBE	
30	0543828203	007069	GUA RNIZIONE CELLA	CAVITY GASKET	
31	0806822300	006993	CONDOTTO SONDA LAMBDA	DUCT, LAMBDA PROBE	a-c-e-g
32	0543829003	006994	GUA RNIZIONE	GASKET	
33	0830891200	006995	SONDA LAMBDA	LAMBDA PROBE	a-c-e-g
34	0806823200	006996	CONDOTTO FLANGIATO BYPASS	DUCT, BYPASS PROBE	b-d-f-h
34A	0516809200	002702	DADO	NUT	b-d-f-h
35	0522855000	0C1037	FIANCO SX	LEFT SIDE PANEL	
36	0611806001	006998	MOTORE	MOTOR	
37	0522844203	0C1515	SCHIENALE	BACK PANEL	
38	0831808400	0C1129	VENTOLA	FAN	
39	0543816501	002689	GUA RNIZIONE RESISTENZE CELLA	GASKET, CAVITY HEATING ELEMENT	
40	0527833700	*	SUPPORTO RESISTENZE	SUPPORT	
41	0503891801	006256	LAMA FISSAGGIO RESISTENZE	SUPPORT	
42	0503897402	006253	ANGOLARE RESISTENZE	SUPPORT	
43	0830892204	007073	PARETE DI A SPIRAZIONE	SUCTION WALL	
44	0518808600	0C1740	FILTRO	FILTER	
45	0214111412	050670	DADO M 20 X1,5	NUT	a-c-e-g
46	0543828901	007005	GUA RNIZIONE CONDOTTO	GASKET, DUCT	
47	0516808902	002699	CUSCINETTO	BEARING	
48	0518807301	*	MOLLA AGGAN CIO PARETE	SPRING	
49	0806822000	007007	CERNIERA VETRO INTERNO	HINGE, INNER GLASS	

10 Gn 1/1 Electric steam - convection oven
Forno convezione - vapore elettrico 10 Gn 1/1

PNC	Model	Ref.	PNC	Model	Ref.
260 452	AOS101EA0S	a	260 464	AOS101EA2N	e
260 453	AOS101EB0S	b	260 465	AOS101EB2N	f
260 458	AOS101EA3J	c	260 512	AOS101EA0H	g
260 459	AOS101EB3J	d	260 513	AOS101EB0H	h

Pos	Factory Code	6DGT Code	Descrizione	Description	Ref/ Notes
50	0543816700	002873	O RING	O RING	
			Pagina 3-4	Page 3-4	
51	0544806701	007008	VALVOLA ANTIRIFLUSSO	ANTIREFLOW VALVE	
52	0806818201	007009	ASSIEME SUPPORTO GETTO	SUPPORT ASS.Y, INNER SPR. ARM	a-c-e-g
53	0543813600	058904	O RING	O RING	
54	0806823100	007010	GETTO ROTANTE	ROTATING WASHING JET	a-c-e-g
55	0803891101	007011	PORTAUGELLO ABBATTITTORE	NOZZLE HOLDER, STEAM CONDENSER	
56	0516867700	0C1039	UGELLO	NOZZLE	FROM
56A	0516867700	0C1039	UGELLO "ELPIS" 5/8 C3-90G	NOZZLE	UP TO
57	0H22982600	007012	TUBO UMDIFICATORE	HUMIDIFIER PIPE	
58	0543828501	007013	GUARNIZIONE	GASKET	
59	0646812001	007014	PRESSOSTATO A CQUA	WATER PRESSURE SWITCH	a-c-e-g
60	0696801000	055132	ELETTROVALVOLA	WATER VALVE	
61	0696803601	007015	VALVOLA ACQUA	WATER VALVE	a-c-e-g
62	0696804100	007016	VALVOLA DETERGENTE	VALVE, DETERGENT	a-c-e-g
62a	0696804000	007017	VALVOLA BRILLANTANTE	VALVE, RINSER	a-c-e-g
63	0680801200	007018	POMPA	PUMP	a-c-e-g
64	0696802900	002859	ELETTROVALVOLA	WATER VALVE	
65	0516815300	002728	REGOLATORE DI PORTATA	FLOW GOVERNOR	
66	0544615700	047431	RACCORDO A Y	Y CONNECTION	
67	0140068008	002707	TUBO	PIPE	
69	0511817200	007020	CROCE	CROSS CONNECTION	a-c-e-g
70	0544806901	007021	VASCHETTA DETERGENTE/BRILL.	TANK, DETERGENT/RINSER	a-c-e-g
71	0544807900	0C0827	TAPPO	STOPPER	a-c-e-g
73	0516855903	007025	ATTACCO PER GETTO	CONNECTION FOR WASH ARM	a-c-e-g
74	0516856001	007024	GUIDA PER GETTO	RUNNER FOR WASH ARM	a-c-e-g
75	0518807100	007026	MOLLA	SPRING	a-c-e-g
76	0543828300	007074	ANELLO DI TENUTA OR4118 V	OR	a-c-e-g
77	0516871000	0C1125	PORTA GOMMA ATTACCO RAPIDO	CONNECTION, C.S.	a-c-e-g
78	0646813000	0C1126	PRESSOSTATO A TTACCO RAPID	CONNECTION FOR WASH ARM	a-c-e-g
79	0544808500	0C1124	INTERMEDIO A T PM0215E JG	CONNECTION, C.S.	a-c-e-g
80	0544808600	0C1149	TERMINALE A CODOLO PM0515	CONNECTION, C.S.	a-c-e-g
81	0543832300	0C1935	O-RING	O-RING	a-c-e-g
82	0516871900	0C1116	RACCORDO PER POMPA	CONNECTION, PUPM	a-c-e-g
83	0544809000	0C1117	VALVOLA NON RITORNO	NOT RE-FLOW VALVE	a-c-e-g
84	0544808700	0C1118	TERMINALE DIRITTO PM01061	CONNECTION, C.S.	a-c-e-g
85	0831811400	0C1155	ASSIEME FILTRO		a-c-e-g
86					
87	0544808000	0C1150	SERBATOIO DETERGENTE-BRIL	TANK, DETERGENT/RINSER	a-c-e-g
88	0544808900	0C1154	PARATIA PER SERBATOIO ROSSA	RED WALL	a-c-e-g
89	0544808400	0C1153	PARATIA PER SERBATOIO BLU	BLU WALL	a-c-e-g
90	0544808200	0C1152	TAPPO PER SERBATOIO COL.R	RED STOPPER	a-c-e-g
91	0544808100	0C1151	TAPPO PER SERBATOIO COL.B	BLUE STOPPER	a-c-e-g
92	0544808300	0C1119	COLLETORE CLEANING SYSTE	COLLECTOR	a-c-e-g
93	0544808800	0C1120	DADO+DOPPIA OGIVA R02P6106	NUT, CLEANING SYSTEM	a-c-e-g
94	0696804700	0C1148	ODE 21WA4K0B130 ELVALV.2/	VALVE	a-c-e-g
			Pagina 5	Page 5	
101	0830890805	007028	ASSIEME BOILER	BOILER ASS.Y	
102	0543828800	007029	O RING	O RING	
103	0617824202	007076	RESISTENZA BOILER (17 kW/400V)	HEAT. ELEMENT, BOILER (17 kW/400V)	a-b-g-h

10 Gn 1/1 Electric steam - convection oven
Forno convezione - vapore elettrico 10 Gn 1/1

PNC		Model		Ref.		PNC		Model		Ref.	
260 452		AOS101EA0S		a		260 464		AOS101EA2N		e	
260 453		AOS101EB0S		b		260 465		AOS101EB2N		f	
260 458		AOS101EA3J		c		260 512		AOS101EA0H		g	
260 459		AOS101EB3J		d		260 513		AOS101EB0H		h	

Pos	Factory Code	6DGT Code	Descrizione	Description	Ref./ Notes
103	0617827100	007077	RESISTENZA BOILER (17 kW/200V)	HEAT. ELEMENT, BOILER (17 kW/200V)	c-d
103	0617827200	007078	RESISTENZA BOILER (17 kW/230V)	HEAT. ELEMENT, BOILER (17 kW/230V)	e-f
104	0515857001	055347	DISTANZIALE	SPACER	
105	0830890500	007033	SONDA DI LIVELLO	LEVEL PROBE	
106	0516857200	006990	RACCORDO	CONNECTION	
108	0806817902	007035	VASCHETTA PER CONDENSA	DRAIN TANK	
109	0516809200	002702	DADO	NUT	
110	0696804201	0C0882	VALVOLA DI SCARICO	DRAIN VALVE	
112	0543816601	002692	TAPPO	STOPPER	
113	0543817500	002634	GUARNIZIONE	GASKET	
115	0873826400	007039	DOCCETTA	SHOWER	
115A	0873848500	0C2218	DOCCETTA	SHOWER	
116	0516809501	007117	RACCORDO	CONNECTION	
117	0511817600	007040	MANICOTTO 1"-3/4"	CONNECTION 1"-3/4"	
118	0560838406	0C1590	KIT ISOLAMENTO	KIT ISOLATION	
119	0508839400	005381	FLANGIA BOILER	FLANGE	
120	0543816800	002874	OR BOILER	OR BOILER	
			Pagina 6-7	Page 6-7	
151	0646812200	007042	LIMITATORE, CELLA	LIMITER, CAVITY	
152	0652802100	0F0031	PORTA FUSIBILE	FUSE HOLDER	
153	0675837902	0C0043	SCHEDA USER INTERFACE LIV. A	USER INTERFACE BOARD, LEV. A	a-c-e-g
153	0675838802	0C0041	SCHEDA USER INTERFACE LIV. B	USER INTERFACE BOARD, LEV. B	b-d-f-h
154	0853853607	0C0822	CRUSCOTTO LIV. A (NO MEMBRANA)	CONTROL PANEL LEV. A (NO LAYER)	a-c-e-g
154	0853863400	*	CRUSCOTTO LIV. B (NO MEMBRANA)	CONTROL PANEL LEV. B (NO LAYER)	b-d-f-h
155	0508836400	002727	RONDELLA	DISK	
156	0516807301	002662	BOCCOLA	BUSH	
157	0548836902	002670	PROLUNGA PULSANTE	PROLONG	
158	0214114900	051263	CONTRODADO	LOCK NUT	
159	0548856302	007044	MANOPOLA	HANDLE	
160	0675837803	0C0042	SCHEDA POWER	POWER BOARD	
161	0624806900	007045	TRASFORMATORE 230V-12/24V	TRANSFORMER 230V-12/24V	a-b-e-f-g-h
161	0624807100	007046	TRASFORMATORE	TRANSFORMER	c-d
162	0694604400	047541	CONDENSATORE 12.5 MF	CAPACITOR	
163	0639806002	002691	MORSETTIERA	TERMINAL BOARD	
164	0648807300	088447	CONTATTORE K3-10A	CONTACTOR K3-10A	
164	0648807400	006879	CONTATTORE K3-18A	CONTACTOR K3-18A	
164	0648807700	007080	CONTATTORE K3-32A	CONTACTOR K3-32A	c-d-e-f
165	0624807001	007047	ALIMENTATORE SWITCHING	SWITCHING FEEDER	a-c-e-g
166	0694605400	049303	FILTRO	FILTER	
167	0648803001	058557	RELE	RELE	
168	0624802900	002656	VENTILATORE	FAN	
169	*	002696	MOTORIDUTTORE	MOTOREDCER	UP TO SN 249
169	0646812801	0C0883	MOTORIDUTTORE	MOTOREDCER	FROM SN 250
170	0516856200	*	ASTA	SHAFT	UP TO SN 249
170	0516856201	007049	ASTA	SHAFT	FROM SN 250
171	0640804100	007050	MICROINTERRUTTORE	MICROSWITCH	UP TO SN 249
172	0508896801	007081	FARFALLA	CLOSER	
173	0830890104	007082	CONDOTTO ARIA	DUCT, AIR	
174	0543828600	007053	GUARNIZIONE	GASKET	
175	0652802900	007054	FUSIBILE T 630 mA	FUSE T 630 mA	

10 Gn 1/1 Electric steam - convection oven
Forno convezione - vapore elettrico 10 Gn 1/1

PNC	Model	Ref.	PNC	Model	Ref.
260 452	AOS101EA0S	a	260 464	AOS101EA2N	e
260 453	AOS101EB0S	b	260 465	AOS101EB2N	f
260 458	AOS101EA3J	c	260 512	AOS101EA0H	g
260 459	AOS101EB3J	d	260 513	AOS101EB0H	h

Pos	Factory Code	6DGT Code	Descrizione	Description	Ref./ Notes
175	0652800901	058771	FUSIBILE RAPIDO 6.30 A	FUSE FAST 6.3 A	
178	0660806400	007055	PORTALAMPADA	LAMP HOLDER	
179	0660806500	007056	LAMPADA A LOGENA	HALOGEN LAMP	
180	0543817202	002626	GUARNIZIONE	GASKET	
181	0574804900	002627	VETRO	GLASS	
182	0508840801	002628	FLANGIA	FLANGE	
183	0548836902	002670	PROLUNGA PULSANTE	EXTENSION, PUSH BUTTON	
184	0675838202	007057	MEMBRANA LIV. A	LAYER LEV. A	a-c-e-g
184	0675838901	007058	MEMBRANA LIV. B	LAYER LEV. B	b-d-f-h
185	0518801801	053342	MOLLA PER MARCHIO	SPRING FOR BRAND PLATE	
201	0853852703	007083	SUPPORTO TEGLIE (P63)	TRAY SUPPORT (P63)	a-b-c-e-d-f
201	0853857600	*	SUPPORTO TEGLIE (P80)	TRAY SUPPORT (P80)	g-h
202	0527839101	*	ELEMENTO DESTRO	RIGHT ELEMENT	
203	0527839200	*	ELEMENTO SINISTRO	ELFT ELEMENT	
			SONDE DI TEMPERATURA	TEMPERATURE PROBES	
	0830898900	0C0324	SONDA CELLA (L 400)	CAVITY PROBE (L 400)	
	0830899000	0C0325	SONDA BOILER (L 800)	BOILER PROBE (L 800)	
	0830899100	0C0326	SONDA BYPASS (L 1200)	BYPASS PROBE (L 1200)	