

| PNC | Model | Ref. | Page | NOTES |
|------------|--------------|-------------|-------------|-----------------|
| 267002 | AOS101EAA1 | a | 2...12 | Level/Livello A |
| 267012 | AOS101EAH1 | g | 2...12 | Level/Livello A |
| 267022 | AOS101EAN1 | c | 2...12 | Level/Livello A |
| 267032 | AOS101EAC1 | e | 2...12 | Level/Livello A |
| 267042 | AOS101EAE1 | n | 2...12 | Level/Livello A |
| 267052 | AOS101EAF1 | p | 2...12 | Level/Livello A |
| 267082 | AOS101EAM1 | t | 2...12 | Level/Livello A |
| 267092 | AOS101EAB1 | u | 2...12 | Level/Livello A |
| 267102 | AOS101EAK1 | r | 2...12 | Level/Livello A |
| 268002 | AOS101EBA1 | b | 2...12 | Level/Livello B |
| 268012 | AOS101EBH1 | h | 2...12 | Level/Livello B |
| 268022 | AOS101EBN1 | d | 2...12 | Level/Livello B |
| 268032 | AOS101EBC1 | f | 2...12 | Level/Livello B |
| 268042 | AOS101EBE1 | o | 2...12 | Level/Livello B |
| 268052 | AOS101EBF1 | q | 2...12 | Level/Livello B |
| 268102 | AOS101EBK1 | s | 2...12 | Level/Livello B |
| 269002 | AOS101ECA1 | i | 2...12 | Level/Livello C |
| 269012 | AOS101ECH1 | l | 2...12 | Level/Livello C |
| 269022 | AOS101ECN1 | m | 2...12 | Level/Livello C |

| Pag | Index | Indice |
|------------|-----------------------|-----------------------|
| 2 | Oven cabinet and door | Cella forno e porta |
| 3 | Water system | Impianto idraulico |
| 4 | Boiler | Boiler |
| 5 | Electrical components | Componenti elettrici |
| 6 | Tray support | Struttura portateglie |
| 7-12 | Spare parts list | Lista ricambi |

Brand/Marchio: Electrolux
Factory code: 9PDD

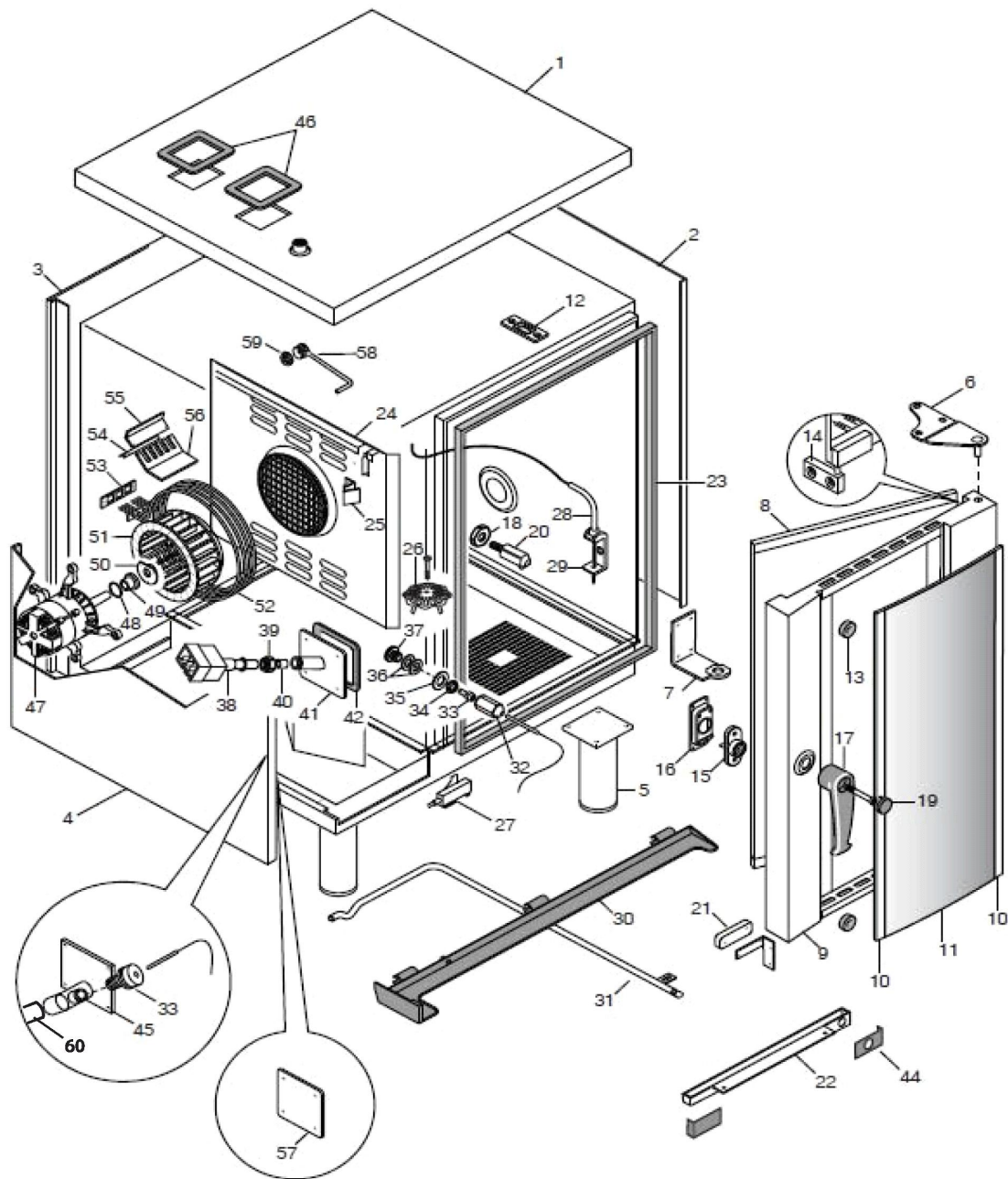
From sr. Nr/ Da Ser. Nr.: ***

From status level / Da scatto: **

Page: 1

Ed. 2017 01

Doc. Nr.: **3-13602**



From sr. Nr/ Da Ser. Nr.: ***
 From status level / Da scatto: **

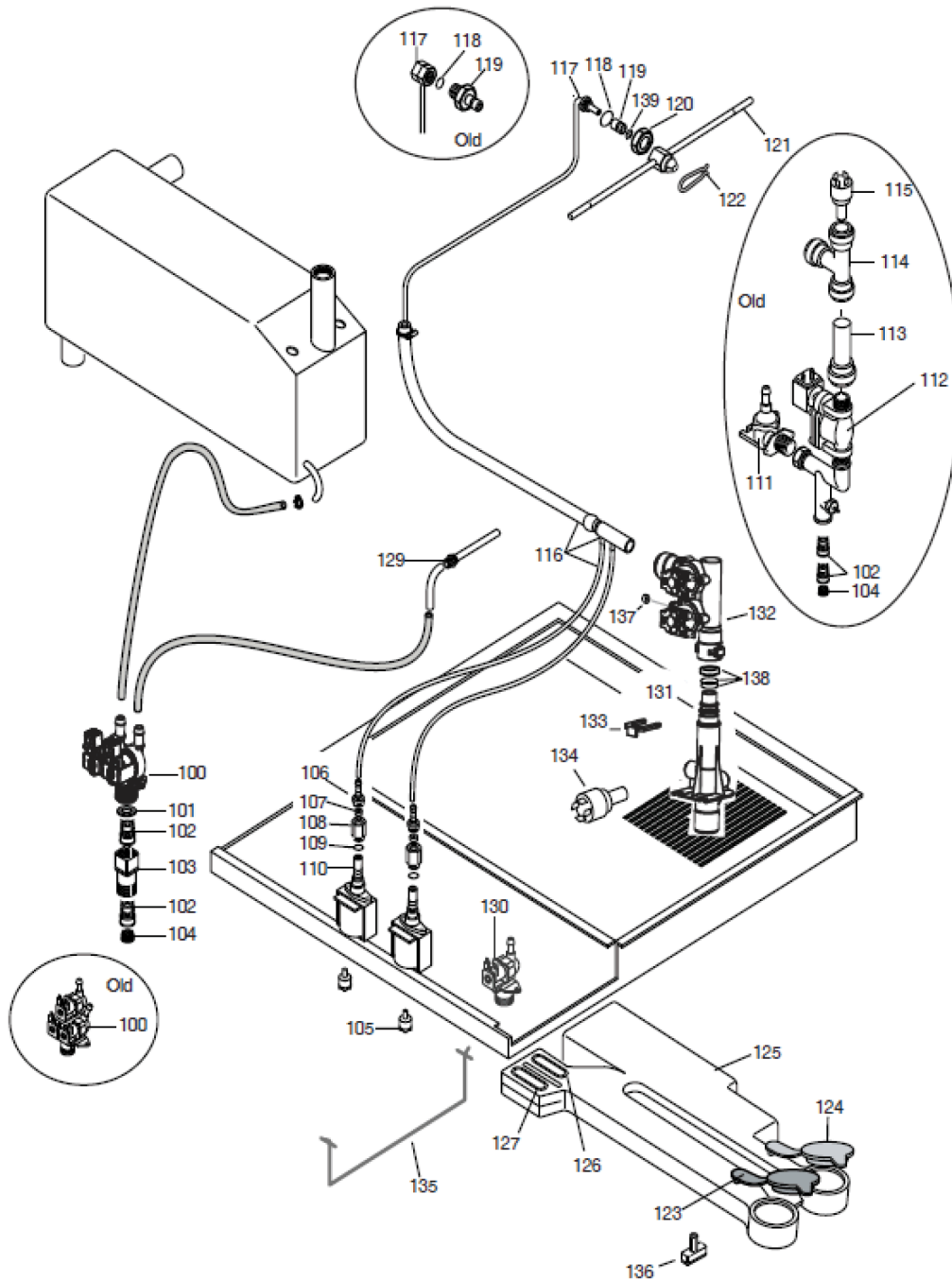
Page: 2

Ed. 2017 01

Doc. Nr.: **3-13602**

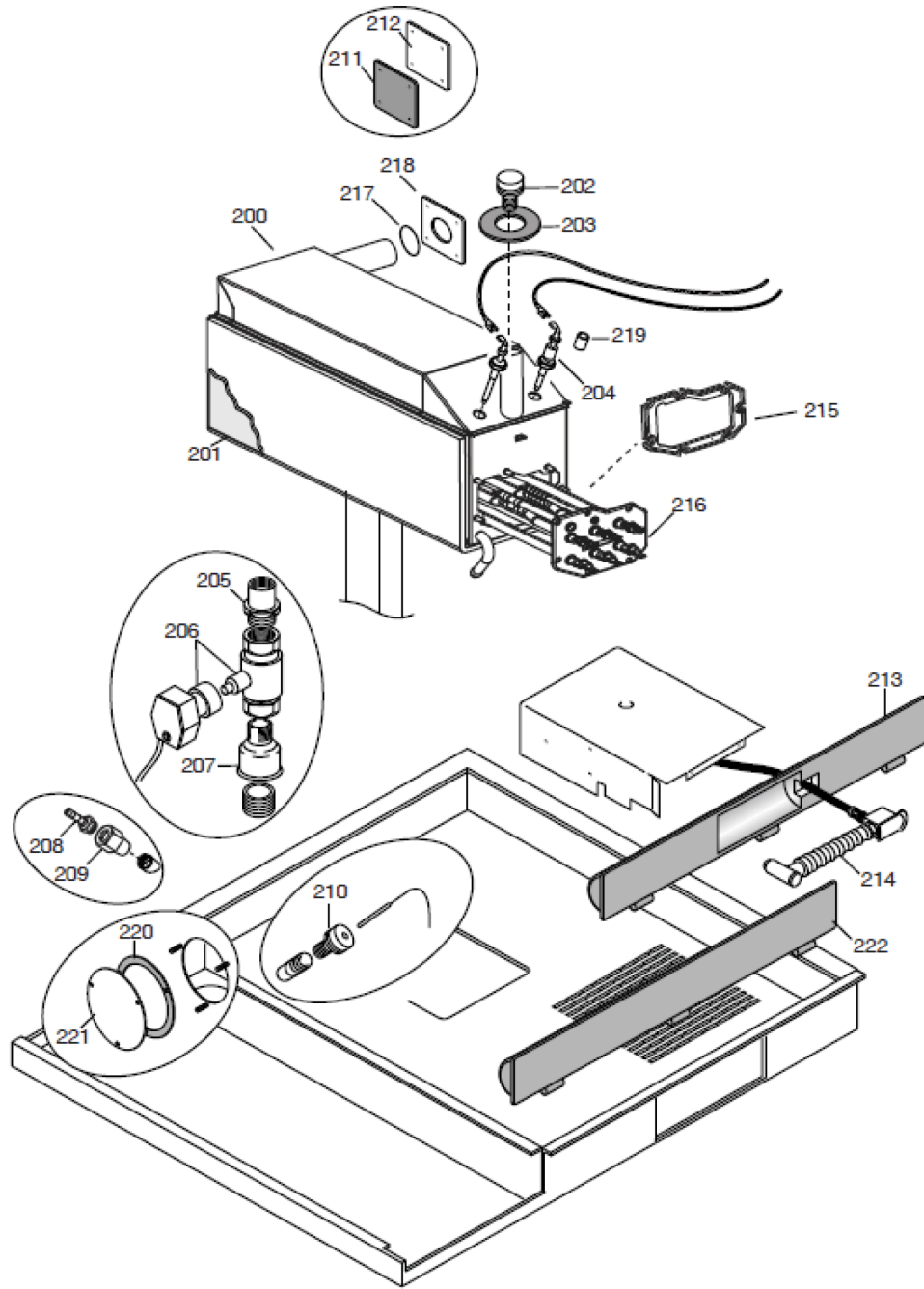
| ?????? | 267002 | | | | | | | | | |
|--------|---------|------------|------------|---|---|---|---------------------------------|------------------------------------|--|----------|
| ?????? | 3-13602 | | ???????? 2 | | | | Oven cabinet and door | | | |
| . | | Alias | | S | | . | | | | (Euro) |
| 0001 | 0C4231 | 0873871102 | | | D | | LID; ASSY;AOSQ 6-10 1/1 ELT | Until UP 04 | | |
| 0001 | 0C6177 | 0590831300 | | | | | LID; ONE 061-101E | Da/from 05 | | 143,10 |
| 0002 | 0C4232 | 0870863302 | | | | | RIGHT SIDE; EST DX AOSQ 061 | Until UP 04 | | 1 028,00 |
| 0002 | 0C6174 | 0530890900 | | | | | RIGHT SIDE; ONE 101 | Da/from 05 | | 149,20 |
| 0003 | 0C4084 | 0522845504 | | | | | BACK PANEL; AOSQ 061 | Until UP 04 | | 118,80 |
| 0003 | 0C6190 | 0530892700 | | | | | BACK PANEL; ONE 101 | Da/from 05 | | 106,60 |
| 0004 | 0C1079 | 0522854900 | | | | | LEFT SIDE | Until UP 04 | | 150,20 |
| 0004 | 0C6196 | 0530893300 | | | | | LEFT SIDE; ONE 101 | Da/from 05 | | 139,10 |
| 0005 | 0C4892 | 0831850900 | | | | | FOOT; 2" | a,b,c,d,e,f,g,h,i,l, m, r, s, t, u | | 11,46 |
| 0006 | 0C4234 | 0806847803 | | | | | PLATE; ASSY,UPPER AOSQ | | | 22,43 |
| 0007 | 0C4235 | 0806861600 | 0C9574 | | | | PLATE; ASSY.LOWER 6-10 AOSQ | | | |
| 0008 | 0C4470 | 0873869902 | | S | | | DOOR GLASS; ASSY; LW101 AOSQ | | | 90,94 |
| 0009 | 0C4960 | 0873858407 | 0C6601 | | D | | DOOR ASSEMBLY; ONE 101 | | | |
| 0010 | 0C4476 | 0806859302 | | S | | | PROFILE; EST.LW10 AOSQ | | | 34,92 |
| 0011 | 0C4471 | 0574817103 | 0C8736 | | | | CURVED GLASS; EST. LW101 AOSQ | | | |
| 0012 | 0C4088 | 0543839700 | | S | | + | GASKET | | | 8,13 |
| 0013 | 006976 | 0543828001 | | S | | | SHOCK ABSORBER | | | 4,33 |
| 0014 | 007007 | 0806822000 | | S | | | HINGE | | | 16,36 |
| 0015 | 0C4089 | 0835871801 | 0C4477 | | | | LOCKING MECHANISM | | | |
| 0016 | 0C4237 | 0510824200 | | S | | | SUPPORT; LW06-10 AOSQ | | | 18,98 |
| 0017 | 0C4090 | 0548871500 | | S | | | HANDLE; LW06-10 AOSQ | | | 13,09 |
| 0018 | 0C4238 | 0516896400 | 0CA756 | | | | NUT; FOR CATCH AOSQ | | | 11,72 |
| 0019 | 0C4091 | 0546822600 | | S | | | PLUG; LW06-10 AOSQ | | | 6,76 |
| 0020 | 0C4092 | 0806859900 | | S | | | CATCH | | | 35,42 |
| 0021 | 049627 | 0699603700 | | S | | | MAGNET | | | 9,82 |
| 0022 | 0C4239 | 0528869501 | | | | | BOWL; LW06-101 AOSQ | | | 59,68 |
| 0023 | 0C1477 | 0831846901 | | S | A | | DOOR GASKET; 725X450MM | | | 120,80 |
| 0024 | 0C4619 | 0830892205 | | | | | SUCTION WALL; AOSQ 101 ELT | | | 286,20 |
| 0025 | 0C3423 | 0518807301 | | S | | | SPRING; SUCTION WALL | | | 19,63 |
| 0026 | 0C1740 | 0518808600 | | S | | | FILTER | | | 13,26 |
| 0027 | 049621 | 0654600000 | | S | | + | REED SWITCH | | | 15,00 |
| 0028 | 0C4240 | 0831831000 | 0CB214 | | A | | CORE PROBE; AOSQ T.C.MULTIPOINT | a, c, e, g, r, t, u | | 226,30 |
| 0029 | 0C1505 | 0527865201 | | S | | | SUPPORT | | | 7,29 |
| 0030 | 0C4242 | 0856814000 | | S | | | DRIP TRAY; 1/1 AOSQ | | | 19,07 |
| 0031 | 0C4243 | 0806858800 | | | | | HOSE | | | 33,19 |
| 0032 | 006991 | 0516855300 | | | | | NUT | | | 22,43 |

| ?????? | 267002 | | | | | | | | |
|--------|---------|------------|------------|---|---|---|-----------------------|--|------------------------------------|
| ?????? | 3-13602 | | ???????? 2 | | | | Oven cabinet and door | | |
| . | | Alias | | S | | | . | | (Euro) |
| 0034 | 020997 | 0214105101 | | S | | + | | LOCK NUT | 1,25 |
| 0035 | 002700 | 0508838701 | | S | | + | | WASHER | 3,07 |
| 0036 | 002624 | 0543816300 | | | | | Kit | GASKET; SET 50 PCS | 24,16 |
| 0037 | 002623 | 0516809400 | | S | | + | | PIPE FITTING | 10,04 |
| 0038 | 006995 | 0830891200 | 0C6465 | | A | + | | LAMBDA PROBE | a, c, e, g, n, p, r, t, u |
| 0039 | 050670 | 0214111412 | | S | | + | | NUT; M20X1,5 | a, c, e, g, n, p, r, t, u |
| 0040 | 050682 | 0215170716 | | S | | + | | DOUBLE CONE; ØI=12MM | a, c, e, g, n, p, r, t, u |
| 0041 | 0C4244 | 0806857201 | | | | + | | FLANGE; FOR LAMBDA SONDE | a, c, e, g, n, p, r, t, u |
| 0042 | 0C4093 | 0543838300 | | S | | + | | GASKET | 11,09 |
| 0044 | 0C4094 | 0543841300 | | S | | | | GASKET | 11,61 |
| 0046 | 007005 | 0543828901 | | S | | | | GASKET | 6,02 |
| 0047 | 006998 | 0611806001 | | S | A | | | MOTOR ;190W 230 V 50/60 HZ; 4/6 POLES | a,b,c,d,e,f,g, h, n, o, p, q, r, s |
| 0048 | 002873 | 0543816700 | | S | | + | | O-RING; ØI=MM.28,17X3,53 | 2,43 |
| 0049 | 002699 | 0516808902 | | S | | + | | BEARING; FOR MOTOR SHAFT | 20,50 |
| 0050 | 0C4138 | 0538815400 | | S | | + | | FLANGE | 5,81 |
| 0051 | 0C1129 | 0831808400 | 0C6463 | | | | | FAN BLADE; ASS. | |
| 0052 | 007064 | 0617823801 | 0C5364 | | A | | | HEATING ELEMENT; 5670W-400V | a, b, g, h, i, l, m, p, q, r, s |
| 0053 | 002689 | 0543816501 | | S | | + | | HEATING ELEMENT GASKET | 26,09 |
| 0054 | 006253 | 0503897402 | | S | | | | ANGLE | 9,19 |
| 0055 | 006256 | 0503891801 | | S | | | | BLADE; FOR FIXING HEATING ELEMENT | 15,20 |
| 0056 | 0C3830 | 0527833700 | | S | | | | SUPPORT | 14,58 |
| 0060 | 006248 | 0140068010 | | S | | | | PIPE; DIA 26X20, BY METER | 28,83 |



| ?????? | 267002 | | | | | | | | | |
|--------|---------|------------|------------|---|---|---|--------------|--|--|--------|
| ?????? | 3-13602 | | ???????? 3 | | | | Water system | | | |
| . | | Alias | | S | | | . | | (Euro) | |
| 0100 | OC1934 | 0696805600 | | S | A | | | SOLENOID VALVE; 230V 50/60HZ;3 WAY;180° | a,b,c,d,e,f,g,h, n, o, p, q, r, s, t, u | 62,10 |
| 0100 | OC5516 | 0696808300 | | S | A | | | WATER SOLENOID VALVE;2 WAYS/180 2,5L/MIN | a,b,c,d,e,f,g,h, n, o, p, q, r, s, t, u | 23,35 |
| 0101 | OC4096 | 0543840600 | | S | | + | | FILTER GASKET | | 1,27 |
| 0102 | OC2312 | 0549801800 | | S | | + | | NONRETURN VALVE | | 5,86 |
| 0103 | OC2313 | 0516879400 | | S | | + | | PIPE FITTING | a,b,c,d,e,f,g,h, n, o, p, q, r, s, t, u | 29,54 |
| 0104 | 000000 | | | | | | | | | |
| 0105 | OC1155 | 0831811400 | | S | | | | FILTER | a, c, e, g, i, l, m, n, p, r | 15,97 |
| 0106 | OC4198 | 0516896101 | | S | | + | | RUBBER HOLDER; G1/4" DIA 4 MM | s, t, u,a, c, e, g, i, l, m, n, p, r | 13,30 |
| 0107 | OC1117 | 0544809000 | | S | | + | | NONRETURN VALVE | s, t, u,a, c, e, g, i, l, m, n, p, r | 6,90 |
| 0108 | OC1116 | 0516871900 | | S | | + | | FITTING; RINSE AND DETERGENT PUMPS | s, t, u,a, c, e, g, i, l, m, n, p, r | 10,29 |
| 0109 | OC1935 | 0543832300 | | S | | + | | O-RING; ØI=6,75X1,78 MM | s, t, u,a, c, e, g, i, l, m, n, p, r | 1,02 |
| 0110 | OC2341 | 0680801201 | OCA120 | | | | | PUMP | s, t, u,a, c, e, g, i, l, m, n, p, r | |
| 0111 | OC1933 | 0696805500 | | S | A | | | SOLENOID VALVE; 90°GR 230V 50HZ; 1WAY | a,b,c,d,e,f,g,h, n, o, p, q, r, s, t, u - (until UP. 04) | 16,22 |
| 0112 | OC1148 | 0696804700 | | S | A | | | SOLENOID VALVE; 1/2" 230V 50/60HZ | a, c, e, g, i, l, m, n, p, r | 66,22 |
| 0113 | OC1149 | 0544808600 | | S | | | | END PIECE | s, t, a, c, e, g, i, l, m, n, p, r - (until UP. 04) | 11,35 |
| 0114 | OC1124 | 0544808500 | | S | | | | T-FITTING | s, t, a, c, e, g, i, l, m, n, p, r - (until UP. 04) | 18,68 |
| 0115 | OC1126 | 0646813000 | | S | A | | | WATER PRESSURE SWITCH; 0,2 BAR | s, t, a, c, e, g, i, l, m, n, p, r - (until UP. 04) | 35,63 |
| 0116 | OC4246 | 0806864300 | | S | | + | | WASH MANIFOLD ASSY; AOSQ 061-101 | s, t, a, c, e, g, i, l, m, n, p, r - (until UP. 04) | 33,70 |
| 0117 | 007009 | 0806818201 | | | | | | SUPPORT | s, t,a, c, e, g, i, l, m, n, p, r | 94,09 |
| 0117 | OC6031 | 0806871100 | | S | | | | DUCT; ASSY | s, t, a, c, e, g, i, l, m, n, p, r - (until UP. 04) | 41,21 |
| 0118 | 007074 | 0543828300 | | S | | + | | O-RING; ØI=29,75X3,53 MM | s, t, u,a, c, e, g, i, l, m, n, p, r | 3,57 |
| 0118 | OC4201 | 0543841400 | | S | | | | GASKET; 17X22X1,5 | s, t, u, a, c, e, g, i, l, m, n, p, r - (until UP. 04) | 2,53 |
| 0119 | 000000 | 0805400000 | | | | | | | s, t,a, c, e, g, i, l, m, n, p, r | |
| 0119 | OC4467 | 0516898301 | | S | | + | | BUSHING; FCS 6 | s, t, u, a, c, e, g, i, l, m, n, p, r - (until UP. 04) | 10,77 |
| 0120 | OC4202 | 0516896000 | | S | | | | LOCK NUT; INOX M16X1.5X6H | s, t,a, c, e, g, i, l, m, n, p, r | 5,33 |
| 0121 | 007010 | 0806823100 | OC8317 | | | | | JET; L=422MM | s, t, u,a, c, e, g, i, l, m, n, p, r | |
| 0122 | 007026 | 0518807100 | | S | | | | SPRING | s, t, u,a, c, e, g, i, l, m, n, p, r | 14,25 |
| 0123 | OC1151 | 0544808100 | | S | | | | PLUG BLU | s, t, u,a, c, e, g, i, l, m, n, p, r | 3,08 |
| 0124 | OC1152 | 0544808200 | | S | | | | RED CAP | s, t, u,a, c, e, g, i, l, m, n, p, r, s, t, u | 2,76 |
| 0125 | OC4426 | 0873857102 | | S | | | | RESERVOIR; ASSY | a, c, e, g, i, l, m, n, p, r, s, t | 52,07 |
| 0126 | OC1154 | 0544808900 | | S | | | | WALL RED | a, c, e, g, i, l, m, n, p, r | 4,13 |
| 0127 | OC1153 | 0544808400 | | S | | | | WALL BLU | a, c, e, g, i, l, m, n, p, r,s, t, u | 4,13 |
| 0129 | 007012 | 0H22982600 | | S | | | | PIPE | a,b,c,d,e,f,g,h, n, o, p, q, r, s, t, u | 29,64 |
| 0131 | OC6370 | 0831857200 | | S | | | | MANIFOLD; ASSY | a, c, e, g, i, l, m, n, p, r,s, t, u | 42,43 |
| 0132 | OC6374 | 0696808600 | | | D | | PDD2012-17 | WATER DISTRIBUTOR; 2 OUTPUP; 230V 50/60H | a, c, e, g, n, p, r, s | 100,30 |

| ?????? | 267002 | | | | | | | | | |
|--------|---------|------------|------------|---|---|-----|--------------|------------------------|--------------------------------------|-------|
| ?????? | 3-13602 | | ???????? 3 | | | | Water system | | | |
| . | | Alias | | S | | | . | | (Euro) | |
| 0133 | 0C6222 | 0546825100 | | S | | | | SAFETY DEVICE | a, c, e, g, i, l, m, n, p, r,s, t, u | 6,26 |
| 0134 | 0C6217 | 0646817200 | | S | A | | | PRESSURE SWITCH; GP600 | a, c, e, g, i, l, m, n, p, r,s, t, u | 33,50 |
| 0135 | 0C5426 | 051380500 | | S | | | | STIRRUP | a, c, e, g, i, l, m, n, p, r,s, t, u | 14,15 |
| 0136 | 0C6201 | 0546824100 | | S | | + | | PIVOT | a, c, e, g, i, l, m, n, p, r,s, t, u | 1,02 |
| 0137 | 0C6375 | | | S | | Kit | | FLOW REDUCER; KIT 4PCS | a, c, e, g, i, l, m, n, p, r,s, t, u | 11,67 |
| 0138 | 0C6377 | | | S | | Kit | | O-RING WITH BUSH; KIT | a, c, e, g, i, l, m, n, p, r,s, t, u | 15,60 |
| 0139 | 061303 | 0219035015 | | S | | + | | RING | a, c, e, f, g | 1,02 |



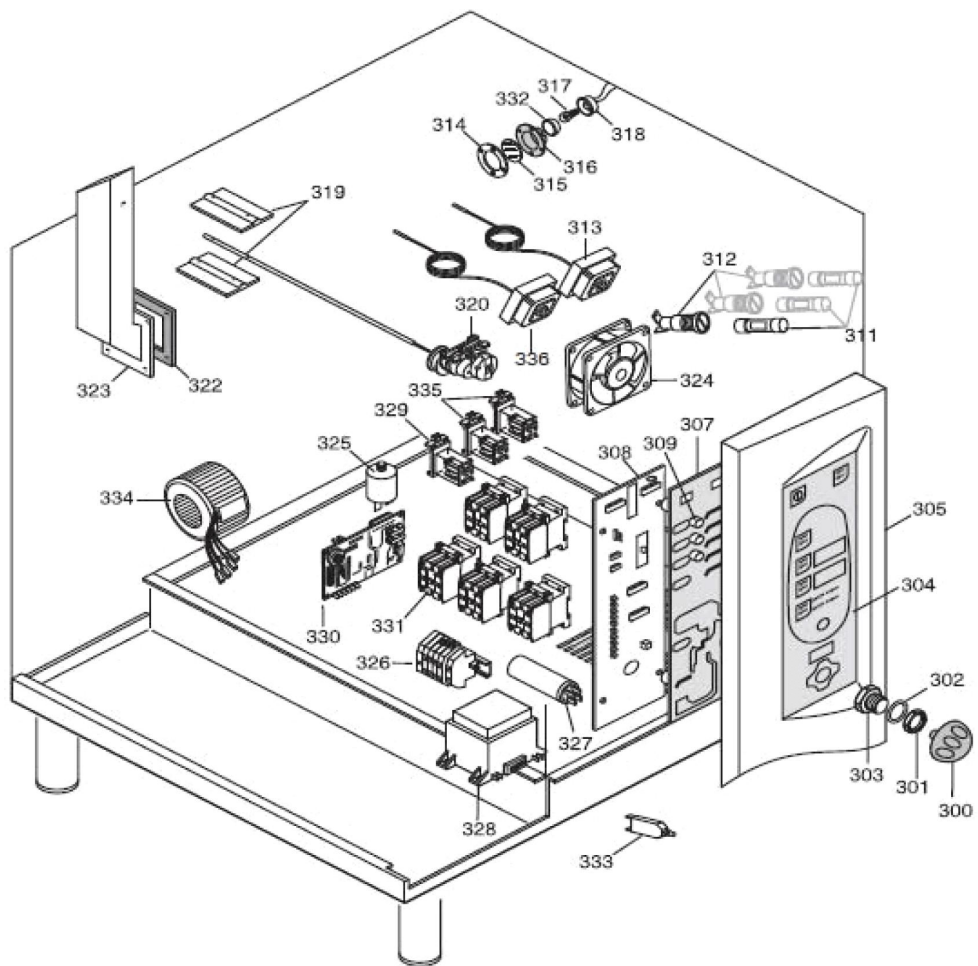
From sr. Nr/ Da Ser. Nr.: ***
 From status level / Da scatto: **

Page: 4

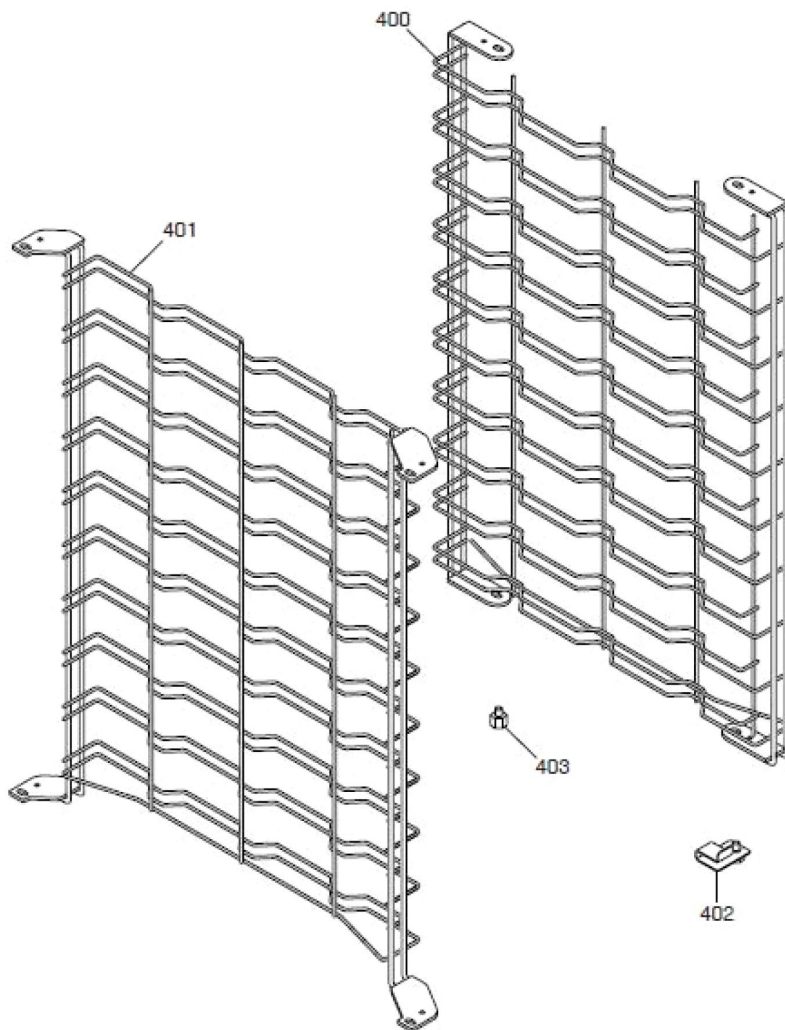
Ed. 2017 01

Doc. Nr.: **3-13602**

| ?????? | 267002 | | | | | | | | | |
|--------|---------|------------|------------|--------|---|---|---|---|--|--------|
| ?????? | 3-13602 | | ???????? 4 | Boiler | | | | | | |
| . | | Alias | | S | | | . | | | (Euro) |
| 0200 | 0C4139 | 0831841100 | 0C5374 | | A | + | | BOILER; ASSY; AOSQ 6-10 | a,b,c,d,e,f,g,h, n, o, p, q, t, u | |
| 0200 | 0C5848 | 0831854700 | 0C9662 | | | | | BOILER; ASSY; ELT ONE 6-101 | a,b,c,d,e,f,g,h, n, o, p, q, t, u | |
| 0201 | 0C4109 | 0560855300 | | S | | + | | BOILER INSULATION; ELT AOSQ 6 - 10 | a,b,c,d,e,f,g,h, n, o, p, q, t, u | 49,74 |
| 0201 | 0C5836 | 0560806900 | | S | | | | BOILER INSULATION; ELT ONE 061-101 | (see code 200) | 107,60 |
| 0202 | 002692 | 0543816601 | | S | | + | | CAP; DESCALING LOAD IN THE BOILER | a,b,c,d,e,f,g,h, n, o, p, q, r, s, t, u | 6,76 |
| 0203 | 002634 | 0543817500 | 0C7016 | | | | | BUFFER | a,b,c,d,e,f,g,h, n, o, p, q, r, s, t, u | |
| 0204 | 007033 | 0830890500 | | S | A | + | | LEVEL PROBE; BOILER | a,b,c,d,e,f,g,h, n, o, p, q, r, s, t, u | 32,99 |
| 0205 | 007117 | 0516809501 | | S | | | | CONNECTION | a,b,c,d,e,f,g,h, n, o, p, q, r, s, t, u | 15,81 |
| 0206 | 0C0882 | 0696804201 | 0CB250 | S | A | | | MOTOR-OPERATED VALVE; 3/4" 230V 50/60HZ | a,b,c,d,e,f,g,h, n, o, p, q, r, s, t, u | 144,10 |
| 0207 | 0C3847 | 0511820300 | | S | | | | REDUCING SLEEVE; 1"1/4F-3/4"M | a,b,c,d,e,f,g,h, n, o, p, q, r, s, t, u | 17,11 |
| 0208 | 0C1626 | 0516872000 | | S | | | | RUBBER HOLDER | a,b,c,d,e,f,g,h, n, o, p, q, r, s, t, u | 7,32 |
| 0209 | 0C4099 | 0516879600 | | S | | + | | NOZZLE; 1/4"FD3.5-3/8"M | a,b,c,d,e,f,g,h, n, o, p, q, r, s, t, u | 18,88 |
| 0210 | 0C4872 | 0543842600 | | S | | | | PLUG; FOR SENSOR | a, c, e, g, n, p, r, t, u | 7,29 |
| 0213 | 0C4532 | 0546815103 | | | | | | FRONT PANEL; LOWER; 6-10 1/1 AOSQ | a, c, e, g, n, p, r, t, u | 92,16 |
| 0214 | 0C4248 | 0873881200 | | S | | | | SHOWER UNIT; AOSQ | a, c, e, g, n, p, r, t, u | 257,80 |
| 0215 | 007029 | 0543828800 | | S | | + | | O-RING; ØI=56,52X5,34MM | a,b,c,d,e,f,g,h, n, o, p, q, r, s, t, u - (Until s/n 917...) | 6,58 |
| 0215 | 0C5834 | 0543844800 | | S | | + | | GASKET; BOILER HEATING ELEMENT | a,b,c,d,e,f,g,h, n, o, p, q, r, s, t, u - (From s/n 917...) | 19,69 |
| 0216 | 007076 | 0617824202 | 0C5384 | | A | + | | HEATING ELEMENT; 17KW 400V | a, b, g, h, p, q - (until s/n 917...) | |
| 0216 | 0C5840 | 0617836400 | | S | A | | | HEATING ELEMENT; 400V-17000W | a, b, g, h, p, q - (From s/n 917...) | 189,80 |
| 0217 | 002874 | 0543816800 | | S | | + | | O-RING; ØI=31,34X3,53 MM | a,b,c,d,e,f,g,h, n, o, p, q, r, s, t, u | 3,48 |
| 0218 | 0C4821 | 0527898600 | | S | | + | | FLANGE | a,b,c,d,e,f,g,h, n, o, p, q, r, s, t | 7,39 |
| 0219 | 055347 | 0515857001 | | S | | + | | SPACER; H=11,5MM | a,b,c,d,e,f,g,h, n, o, p, q, r, s, t | 5,81 |
| 0220 | 0C3442 | 0543839600 | 0C7033 | | | | | GASKET | a, c, e, g, n, p, r, t, u | |
| 0221 | 0C3443 | 0J89061403 | | | | | | WASHER; FOR DOOR | a, c, e, g, n, p, r, t, u | 15,84 |



| ?????? | 267002 | | | | | | | | | |
|--------|---------|------------|------------|---|---|---|--|--|--|--------|
| ?????? | 3-13602 | | ???????? 5 | | | | Electrical components | | | |
| . | | Alias | | S | | | . | | | (Euro) |
| 0300 | 0C3221 | 0548869900 | | | | | KNOB | | | 4,88 |
| 0301 | 051263 | 0214114900 | | S | | | LOCK NUT | | | 3,80 |
| 0302 | 002727 | 0508836400 | | S | | | WASHER | | | 1,02 |
| 0303 | 002662 | 0516807301 | | S | | | BUSH | | | 6,02 |
| 0304 | 007057 | 0675838203 | | | | | MEMBRANE | a, c, e, g, n, p, r, t, u | | 118,80 |
| 0305 | 0C4283 | 0873879401 | | | | | CONTROL PANEL; ASSY; LW101 LIV.A AOSQ | a, c, e, g, n, p, r, t, u | | 347,10 |
| 0307 | 0C0043 | 0675837902 | | S | A | | USER INTERFACE BOARD; COPUI20-A; LEV.A | a, c, e, g, n, p, r, t, u | | 604,00 |
| 0308 | 0C0042 | 0675837808 | | S | A | + | POWER BOARD; COP20-A; LIV A/B/C LW | | | 588,00 |
| 0309 | 002670 | 0548836902 | | S | | + | EXTENSION; L=6,95MM | | | 1,02 |
| 0311 | 058771 | 0652800901 | | | | | | a,b,c,d,e,f,g, h, i, l, m, r, s | | |
| 0311 | 0C2301 | 0652803900 | | S | | + | FUSE; OMEGA 800MA (COD. ST22180) | a,b,c,d,e,f,g, h, i, l, m, r, s | | 1,27 |
| 0312 | 0F0031 | 0652802100 | 0CB128 | | | | FUSE HOLDER; SET 2PCS | a,b,c,d,e,f,g, h, i, l, m, r, s, t, u | | 16,08 |
| 0313 | 007042 | 0646812200 | | S | A | | SAFETY THERMOSTAT; 357°C | a, b,c,d,e,f,g,h,i,l,m,n,o,p,q,r, s | | 93,15 |
| 0314 | 002628 | 0508840801 | | S | | + | FLANGE | | | 4,01 |
| 0315 | 002627 | 0574804900 | | S | | + | LAMP GLASS | | | 10,24 |
| 0316 | 002626 | 0543817202 | | S | | + | LAMP HOLDER GASKET | | | 15,39 |
| 0317 | 0C4396 | 0660808300 | 0C9877 | | A | | HALOGEN LAMP; 12V-10W 300GR C. | | | |
| 0318 | 007055 | 0660806401 | | S | | | LAMP HOLDER | | | 21,72 |
| 0319 | 007081 | 0508896801 | | S | | + | JALOUSIE | | | 18,98 |
| 0320 | 0C0883 | 0646812801 | | | D | | PDD2012 -14 GEARMOTOR; 230V 50HZ; 4VA | a, b,c,d,e,f,g,h,i,l,m,n,o,p,q,r, s | | 79,37 |
| 0322 | 007053 | 0543828600 | | S | | + | GASKET | | | 19,54 |
| 0323 | 0C4285 | 0831828500 | | S | | | PIPE | | | 73,38 |
| 0324 | 0C4106 | 0624811000 | 0CB143 | | A | | FAN; 220/240V 50/60HZ | | | 37,76 |
| 0325 | 049303 | 0694605400 | | S | | + | RADIO INTERFERENCE FILTER; 250V 50/60HZ | a, b,c,d,e,f,g,h,i,l,m,n,o,p,q,r, s | | 23,55 |
| 0326 | 0F0112 | 0639808600 | | S | | | TERMINAL BOARD | | | 28,62 |
| 0327 | 047541 | 0694604400 | | S | | | CAPACITOR; 12,5MF | | | 12,31 |
| 0328 | 0C4460 | 0624811600 | 0C6400 | | | | TRANSFORMER; 230V 12/24V 100VA | a, b, c, d, g, h, i, l, m, r, s | | |
| 0329 | 058557 | 0648803001 | 058857 | | | | RELAY | a,b,c,d,e,f,g, h, n, o, p, q, r, s | | |
| 0330 | 007047 | 0624807002 | | S | A | + | POWER SUPPLY BOARD; LAMBDA PROBE | a, c, e, g, n, p, r, t, u | | 145,10 |
| 0331 | 006879 | 0648807400 | | S | A | + | CONTACTOR; 220-240V 50HZ/240-264V 60HZ | a, b, g, h, i, l, n, o | | 37,68 |
| 0331 | 088447 | 0648807300 | 087913 | | | | LAMP BODY | a, b, g, h, i, l, n, o | | |
| 0332 | 000000 | | | | | | | | | |
| 0333 | 000000 | | | | | | | | | |
| 0334 | 000000 | | | | | | | | | |
| 0336 | 0C2983 | 646814900 | | S | A | | OVERTEMPERATURE LIMITER; 140GR 3P | a,b,c,d,e,f,g, h, n, o, p, q, r, s,t, u | | 82,80 |



| ?????? | 267002 | | | | | | | | | |
|--------|---------|------------|--|---|--|--|--------------|-------------------------|------------------------|--------|
| ?????? | 3-13602 | ???????? 6 | | | | | Tray support | | | |
| . | | Alias | | S | | | . | | (Euro) | |
| 0400 | 0C4862 | 0831849200 | | S | | | | CHROME GRID; DX ONE 101 | a, b, c, d, e, f, i, m | 119,80 |
| 0401 | 0C4861 | 0831848900 | | S | | | | CHROME GRID; SX ONE 101 | a, b, c, d, e, f, i, m | 126,90 |
| 0402 | 0C4961 | 0806872800 | | S | | | | SUPPORT | | 27,51 |
| 0403 | 0C5620 | 0511828100 | | S | | | | BAKING PAN SUPPORT | | 11,41 |