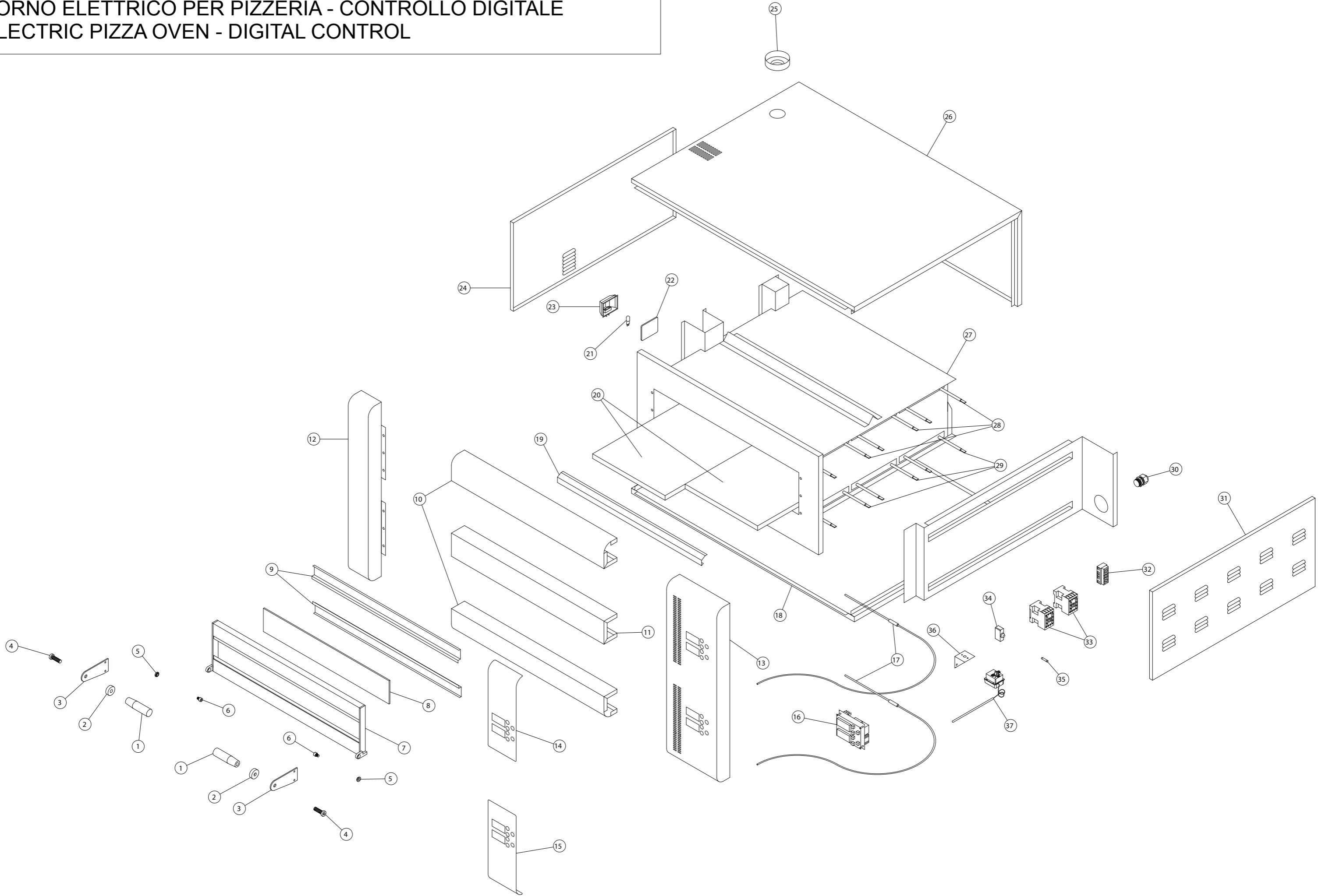


FORNO ELETTRICO PER PIZZERIA - CONTROLLO DIGITALE
ELECTRIC PIZZA OVEN - DIGITAL CONTROL



FORNO ELETTRICO PER PIZZERIA CONTROLLO DIGITALE - ELECTRIC PIZZAOVEN DIGITAL CONTROL			
LISTA RICAMBI - SPARE PARTS LIST			
NR.	COD.	DESCRIZIONE	DESCRIPTION
1	91510011	Manopola porta	Door grip
2	91510060	Rondella salvamani	hand protection washer
3	92710341	Maniglia inox	Stainless steel handle
7	92710300	Porta PDE 140-160L-240-260L	Door PDE 140-160L-240-260L
7	92710301	Porta PDE 160C-190-260C-290	Door PDE 160C-190-260C-290
7	92710310	Porta PDE 145-165L-245-265L	Door PDE 145-165L-245-265L
7	92710311	Porta PDE 165C-195-265C-295	Door PDE 165C-195-265C-295
8	91610001	Vetro porta PDE 140-160L-240-260L	Door glass PDE 140-160L-240-260L
8	91610008	Vetro porta PDE 160C-190-260C-290	Door glass PDE 160C-190-260C-290
8	91610003	Vetro porta PDE 145-165L-245-265L	Door glass PDE 145-165L-245-265L
8	91610007	Vetro porta PDE 165C-195-265C-295	Door glass PDE 165C-195-265C-295
12	92710181	Colonna sx PDE 1	Left riser PDE 1
12	92710191	Colonna sx PDE 2	Left riser PDE 2
10	92710221	Banco superiore PDE 140-160L-240-260L	Upper front panel PDE 140-160L-240-260L
10	92710231	Banco superiore PDE 160C-190-260C-290	Upper front panel PDE 160C-190-260C-290
10	92710241	Banco superiore PDE 145-165L-245-265L	Upper front panel PDE 145-165L-245-265L
10	92710251	Banco superiore PDE 165C-195-265C-295	Upper front panel PDE 165C-195-265C-295
11	92710261	Banco intermedio PDE 140-160L-240-260L	Middle front panel PDE 140-160L-240-260L
11	92710271	Banco intermedio PDE 160C-190-260C-290	Middle front panel PDE 160C-190-260C-290
11	92710281	Banco intermedio PDE 145-165L-245-265L	Middle front panel PDE 145-165L-245-265L
11	92710291	Banco intermedio PDE 165C-195-265C-295	Middle front panel PDE 165C-195-265C-295
13	92710201	Colonna dx PDE 1	Right riser PDE 1
13	92710211	Colonna dx PDE 2	Right riser PDE 2
14	91611200	Frontale lexan superiore	Upper lexan panel
15	91611201	Frontale lexan inferiore	Lower lexan panel
20	91610130	Mattone refrattario PDE 140-160C-240-260C	Stone PDE 140-160C-240-260C
20	91610131	Mattone refrattario PDE 160L-190-260L-290	Stone PDE 160L-190-260L-290
20	91610140	Mattone refrattario PDE 145-165C-245-265C	Stone PDE 145-165C-245-265C
20	91610141	Mattone refrattario PDE 165L-195-265L-295	Stone PDE 165L-195-265L-295
22	91610025	Vetro portalamпада	Lamp holder glass
21	91310206	Lampada illuminazione	Lamp

23	91310188	Portalampada	Lamp holder
24	92710140	Pannello sx PDE 140-160C	Left panel PDE 140-160C
24	92710141	Pannello sx PDE 160L-190	Left panel PDE 160L-190
24	92710145	Pannello sx PDE 240-260C	Left panel PDE 240-260C
24	92710146	Pannello sx PDE 260L-290	Left panel PDE 260L-290
24	92710150	Pannello sx PDE 145-165C	Left panel PDE 145-165C
24	92710151	Pannello sx PDE 165L-195	Left panel PDE 165L-195
24	92710155	Pannello sx PDE 245-265C	Left panel PDE 245-265C
24	92710156	Pannello sx PDE 265L-295	Left panel PDE 265L-295
26	92710080	Involucro PDE 140	Wrapping PDE 140
26	92710081	Involucro PDE 160L	Wrapping PDE 160L
26	92710082	Coperchio PDE 160C-260C	Cover PDE 160C-260C
26	92710083	Coperchio PDE 190-290	Cover PDE 190-290
26	92710084	Schiena PDE 160C-190	Rear panel PDE 160C-190
26	92710090	Involucro PDE 240	Wrapping PDE 240
26	92710091	Involucro PDE 260L	Wrapping PDE 260L
26	92710094	Schiena PDE 260C-290	Rear panel PDE 260C-290
26	92710100	Involucro PDE 145	Wrapping PDE 145
26	92710101	Involucro PDE 165L	Wrapping PDE 165L
26	92710102	Coperchio PDE 165C-265C	Cover PDE 165C-265C
26	92710103	Coperchio PDE 195-295	Cover PDE 195-295
26	92710104	Schiena PDE 165C-195	Rear panel PDE 165C-195
26	92710110	Involucro PDE 245	Wrapping PDE 245
26	92710111	Involucro PDE 265L	Wrapping PDE 265L
26	92710114	Schiena PDE 265C-295	Rear panel PDE 265C-295
28	91711220	Resistenza superiore PDE 140-240 W 800	Upper heating element PDE 140-240 W 800
28	91711221	Resistenza superiore PDE 160L-260L W 1400	Upper heating element PDE 160L-260L W 1400
28	91711222	Resistenza superiore PDE 160C-260C W 1600	Upper heating element PDE 160C-260C W 1600
28	91711223	Resistenza superiore PDE 190-290 W 2000	Upper heating element PDE 190-290 W 2000
28	91711230	Resistenza superiore PDE 145-245 W 1000	Upper heating element PDE 145-245 W 1000
28	91711231	Resistenza superiore PDE 165L-265L W 1600	Upper heating element PDE 165L-265L W 1600
28	91711232	Resistenza superiore PDE 165C-265C W 1600	Upper heating element PDE 165C-265C W 1600
28	91711233	Resistenza superiore PDE 195-295 W 2400	Upper heating element PDE 195-295 W 2400
29	91711200	Resistenza inferiore PDE 140-240 W 600	Lower heating element PDE 140-240 W 600
29	91711201	Resistenza inferiore PDE 160L-260L W 1000	Lower heating element PDE 160L-260L W 1000
29	91711202	Resistenza inferiore PDE 160C-260C W 1000	Lower heating element PDE 160C-260C W 1000

29	91711203	Resistenza inferiore PDE 190-290 W 1500	Lower heating element PDE 190-290 W 1500
29	91711210	Resistenza inferiore PDE 145-245 W 700	Lower heating element PDE 145-245 W 700
29	91711211	Resistenza inferiore PDE 165L-265L W 1000	Lower heating element PDE 165L-265L W 1000
29	91711212	Resistenza inferiore PDE 165C-265C W 1000	Lower heating element PDE 165C-265C W 1000
29	91711213	Resistenza inferiore PDE 195-295 W 1500	Lower heating element PDE 195-295 W 1500
16	91310261	Scheda di controllo	Control panel
17	91310211	Sonda J	Sonde
34	91310511	Portafusibile	Fuse holder
35	91310501	Fusibile	Fuse
37	91310050	Termostato di sicurezza	Safety thermostat
33	91310136	Teleruttore	Contactator
32	91310231	Morsettiere	Terminal board
31	92710160	Pannello dx PDE 140-160C	Right panel PDE 140-160C
31	92710161	Pannello dx PDE 160L-190	Right panel PDE 160L-190
31	92710165	Pannello dx PDE 240-260C	Right panel PDE 240-260C
31	92710166	Pannello dx PDE 260L-290	Right panel PDE 260L-290
31	92710170	Pannello dx PDE 145-165C	Right panel PDE 145-165C
31	92710171	Pannello dx PDE 165L-195	Right panel PDE 165L-195
31	92710175	Pannello dx PDE 245-265C	Right panel PDE 245-265C
31	92710176	Pannello dx PDE 265L-295	Right panel PDE 265L-295