

**Untill sr. Nr / Fino a seriale Nr. 433**

PNC	Model	Ref	Pag.	Brand	Version	Notes
371020	E7INED2000	a		ELX	EL	TOP 400 MM
371021	E7INEH4000	b		ELX	EL	TOP 800 MM
371131	E7INED200N	c		ELX	EL	TOP 400 MM-230V
371132	E7INEH400N	d		ELX	EL	TOP 800 MM-230V
371175	E7INED200P	e		ELX	EL	TOP HP 400 MM
371176	E7INEH400P	f		ELX	EL	TOP HP 800 MM
372020	Z7INED2000	g		ZAN	EL	TOP 400 MM
372021	Z7INEH4000	h		ZAN	EL	TOP 800 MM
372131	Z7INED200N	i		ZAN	EL	TOP 400 MM-230V
372132	Z7INEH400N	l		ZAN	EL	TOP 800 MM-230V
372175	Z7INED200P	m		ZAN	EL	TOP HP 400 MM
372176	Z7INEH400P	n		ZAN	EL	TOP HP 800 MM
373020	A7INED2000	o		OEM	EL	TOP 400 MM
373021	A7INEH4000	p		OEM	EL	TOP 800 MM
373131	A7INED200N	q		OEM	EL	TOP 400 MM-230V
373132	A7INEH400N	r		OEM	EL	TOP 800 MM-230V

Pag	Index
2	General componets
3,4	Spare parts list

Indice
Componenti struttura
Lista ricambi

**Note**  
 For appliances manufactured after  
 433 refer to spc **59785TD00**.  
 This spc is related to appliances  
 manufactured Untill sr. Nr / Fino a  
 seriale Nr. 433

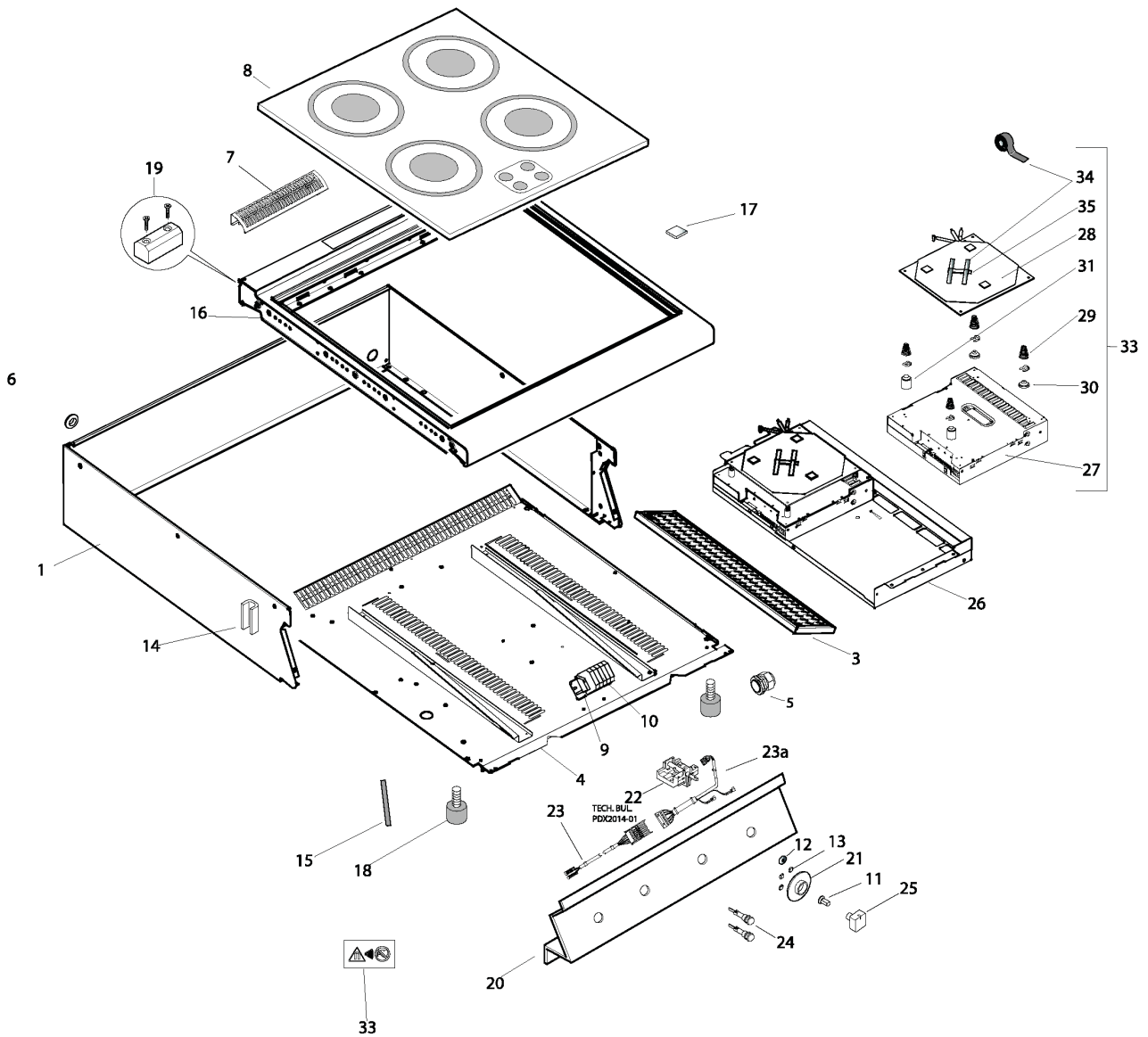
Brand/Marchio: All  
 Factory code: 9PDX

From sr. Nr/ Da Ser. Nr.: 116  
 Untill sr. Nr / Fino a seriale Nr. 433

Page: 1

Ed. 2014 09

Doc. Nr.: **59785DQ00**



From sr. Nr/ Da Ser. Nr.: 116  
 Untill sr. Nr / Fino a seriale Nr. 433

Page: 2

Ed. 2014 09

Doc. Nr.: **59785DQ00**

??????	373021									
??????	59785DQ00	???????? 2	General componets							
.		Alias		S		.				(Euro)
0001	000000	85089F700							ELX	
0001	000000	85089F800							ELX	
0001	000000	85089FA00							ZAN, OEM	
0001	000000	85089FB00							ZAN, OEM	
0003	000000	800837H00								
0004	000000	50389Q300							400	
0004	000000	50389Q400							800	
0005	0C3528	544802400					+		FIXING CABLE	6,80
0006	005382	246530100		S			+		GROMMET; DIA.22	1,99
0007	0C7333	50389LP00		S					CHIMNEY GRID; L=400MM	25,68
0008	0C7188	574820400							CERAMIC GLASS PLATE; 558X290MM	400
0008	0C7866	574820300		S					CERAMIC GLASS PLATE; 558X690MM	800
0009	059239	639805001	0F0035						TERMINAL BOARD; 10MM2	400
0009	0F0112	639808600		S					TERMINAL BOARD	800
0010	000000	532843700								
0011	0C7345	548877V00		S			+		KNOB ADAPTER	1,57
0012	0C6171	541813800	0C6172				+		WASHER; SILICONE	
0013	069567	218912211	0C6288						RING CONNECTION	
0014	0C0156	527850500							BRACKET	2,41
0015	0C2496	543821900		S			+		GASKET; CONTROL PANEL; BY METER; GREY	6,07
0016	0C7216	87089B900							SHELF	ELX
0016	0C7654	87089BF00							INDUCTION SHELF	ZAN, OEM
0016	0C7655	87089BG00							INDUCTION SHELF	ZAN, OEM
0016	0C7872	87089BA00							SHELF	ELX
0017	0C0069	546810400		S			Kit		SPACER; SET 10 PCS	3,52
0018	026806	315252601		S					FOOT WITH SCREW M6; Ø=18MM	2,80
0019	0C0137	516860702	0C9655				+		PLATE	
0020	000000	50389LJ00								OEM
0020	000000	50389LK00								OEM
0020	0C7201	85089AZ00							CONTROL PANEL	ELX
0020	0C7210	85589A500							CONTROL PANEL	ELX
0020	0C7645	85089FU00							CONTROL PANEL	ZAN
0020	0C7646	85089FV00							CONTROL PANEL	ZAN
0021	0C7176	548877C00							RING NUT	ELX
0021	0C7176	548877D00							RING NUT	ELX
0021	0C7177	548879K00							RING NUT	ZAN, OEM

??????	373021									
??????	59785DQ00	???????? 2	General componets							
.		Alias		S			.			(Euro)
0021	0C7639	548879L00						RING NUT	ZAN, OEM	8,68
0022	0K1631	641804000					PDX2014-01	SWITCH	TECH. BUL.PDX2014-01	89,02
0023	0C3978	633831300						FEMALE CONNECTOR; EXTENSION	TECH. BUL.PDX2014-01	38,98
0024	0C3999	660808100	0G5859		D			LAMP; RED LAMP 12V	TECH. BUL.PDX2014-01	
0024	0C4000	660808200	0G5860		D			LAMP; GREEN LAMP 12V	TECH. BUL.PDX2014-01	
0025	0A5621	548865500		S				KNOB; Ø PIN=6MM	OEM	9,51
0025	0C6670	511850G01	0C8700			+		KNOB; DIA.10	ELX	
0025	0C7232	548878201		S				KNOB; DIA.6	ZAN	15,48
0026	000000	50489H800								
0027	0C7642	875899Y00	0C8303					INVERTER; 3,5KW/230V	a,b,c,d,g,h,i,l,o,p,q,r - 3,5KW ;	
0028	0C7643	83089FK00						INDUCTION COIL; 230V-3500W; DIA.220	a,b,c,d,g,h,i,l,o,p,q,r - 3,5KW ;	875,00
0029	0C4002	516892500				+		SPRING		16,03
0030	0C4003	516892300	0G8061					PIVOT; SHORT PIN		
0031	0C4004	516892400	0G4823					PIVOT; LONG PIN	PERNO LUNGO ATICS LONG PIN ACTIS	
0033	0C8303	83089DZ00		S	A			INVERTER; 230V 3500W; COMPLETE	a,b,c,d,g,h,i,l,o,p,q,r - 3,5KW ; Art. 27+28+29+30+31+34+35 ;	1 282,00
0034	0G3527							SELF-STICK STRIP; HIGH TEMPERATURE	HIGHT TEMP	183,70
0035	0K4302		0K5176		A	+		PROBE; PT1000/INDUC-COIL; 49CM	49 Cm , PT1000	
023a	0G5277						PDX2014-01	CONNECTOR; WITH CABLE 1,5 M.	TECH. BUL.PDX2014-01	96,83