

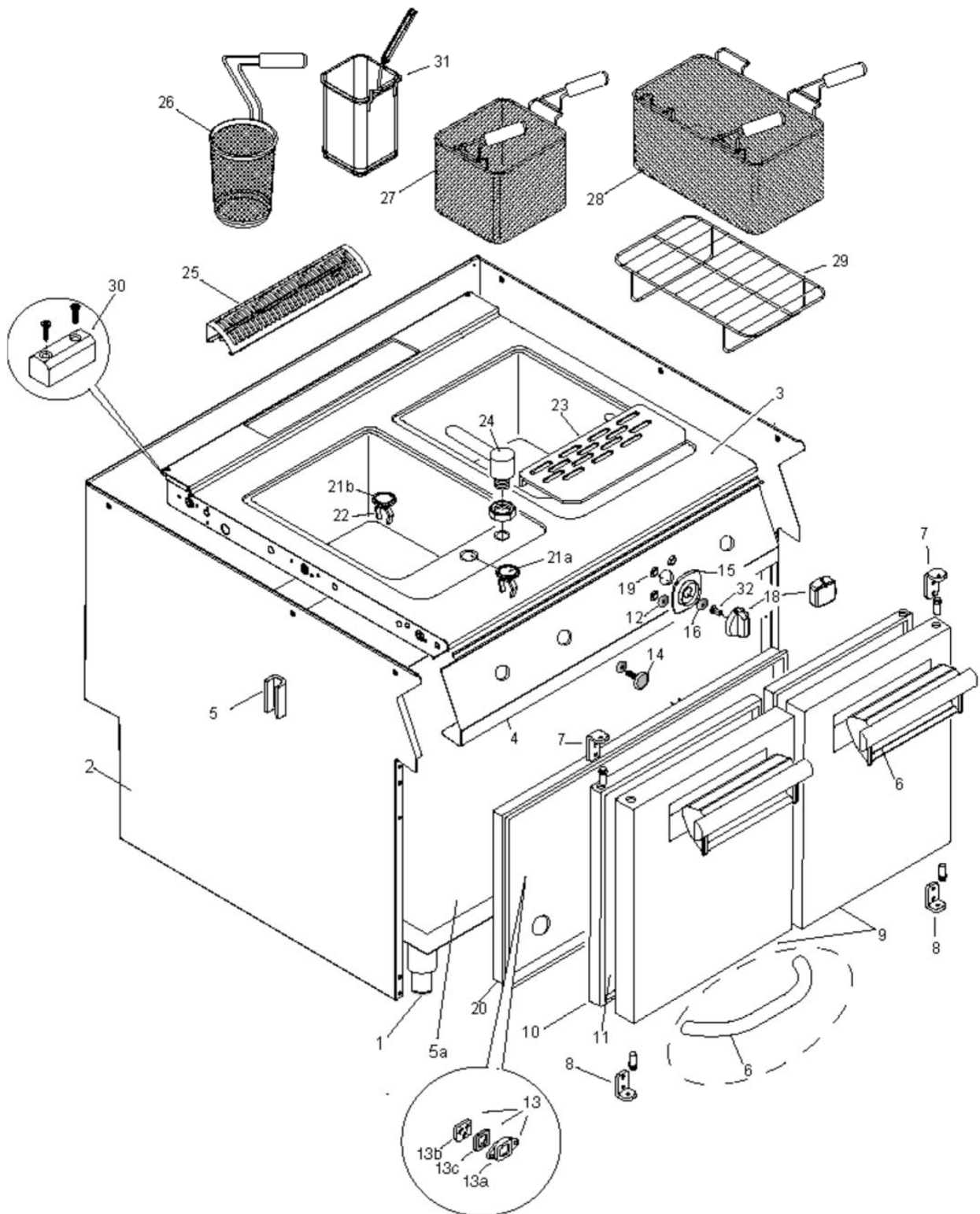
PNC	Model	Ref	Pag.	Brand	Version	Notes
391111	E9PCGD1MF0	a		ELX	GAS	1X40 LT WELL
391112	E9PCGH2MF0	b		ELX	GAS	2X40 LT WELLS
391126	E9PCED1MF0	c		ELX	EL	1X40 LT WELL
391127	E9PCEH2MF0	d		ELX	EL	2X40 LT WELLS
391201	E9PCGD1MF2	e		ELX	GAS	1X40 LT WELL 208V
391202	E9PCGH2MF2	f		ELX	GAS	2X40 LT WELLS 208V
391273	E9PCED1MFV	u		ELX	EL	1X40 LT WELL
392126	Z9PCED1MF0	i		ZAN	EL	1X40 LT WELL
392127	Z9PCEH2MF0	l		ZAN	EL	2X40 LT WELLS
392111	Z9PCGD1MF0	m		ZAN	GAS	1X40 LT WELL
392112	Z9PCGH2MF0	n		ZAN	GAS	2X40 LT WELLS
393126	A9PCED1MF0	o		OEM	EL	1X40 LT WELL
393127	A9PCEH2MF0	p		OEM	EL	2X40 LT WELLS
393111	A9PCGD1MF0	q		OEM	GAS	1X40 LT WELL
393112	A9PCGH2MF0	r		OEM	GAS	2X40 LT WELLS
393212	A9PCGD1MFK	s		KIP	GAS	1X40 LT WELL
393213	A9PCGH2MFK	t		KIP	GAS	2X40 LT WELLS

Pag	Index	Indice	Note
2	General componets	Componenti struttura	
3 - 4	Hydraulic circuit	Impianto idraulico	
5 - 6	Gas components	Componenti Gas	
7	Electric Components	Componenti elettrici	From 8251 PDX2018-03
8	Gas nozzles	Ugelli per gas	
9...13	Spare parts list	Lista ricambi	

Brand/Marchio: All ; **FROM SERIAL 3 38 / DA MATRICOLA 3 38**

From sr. Nr/ Da Ser. Nr.: 3381 From status level / Da scatto:	Page: 1, ed 12, 2018 10	Doc. Nr.: 059785GJ00
--	-------------------------	-----------------------------

General components / Componenti struttura



From sr. Nr/ Da Ser. Nr.: 3381

From status level / Da scatto:

Page: 2, ed 12, 2018 10

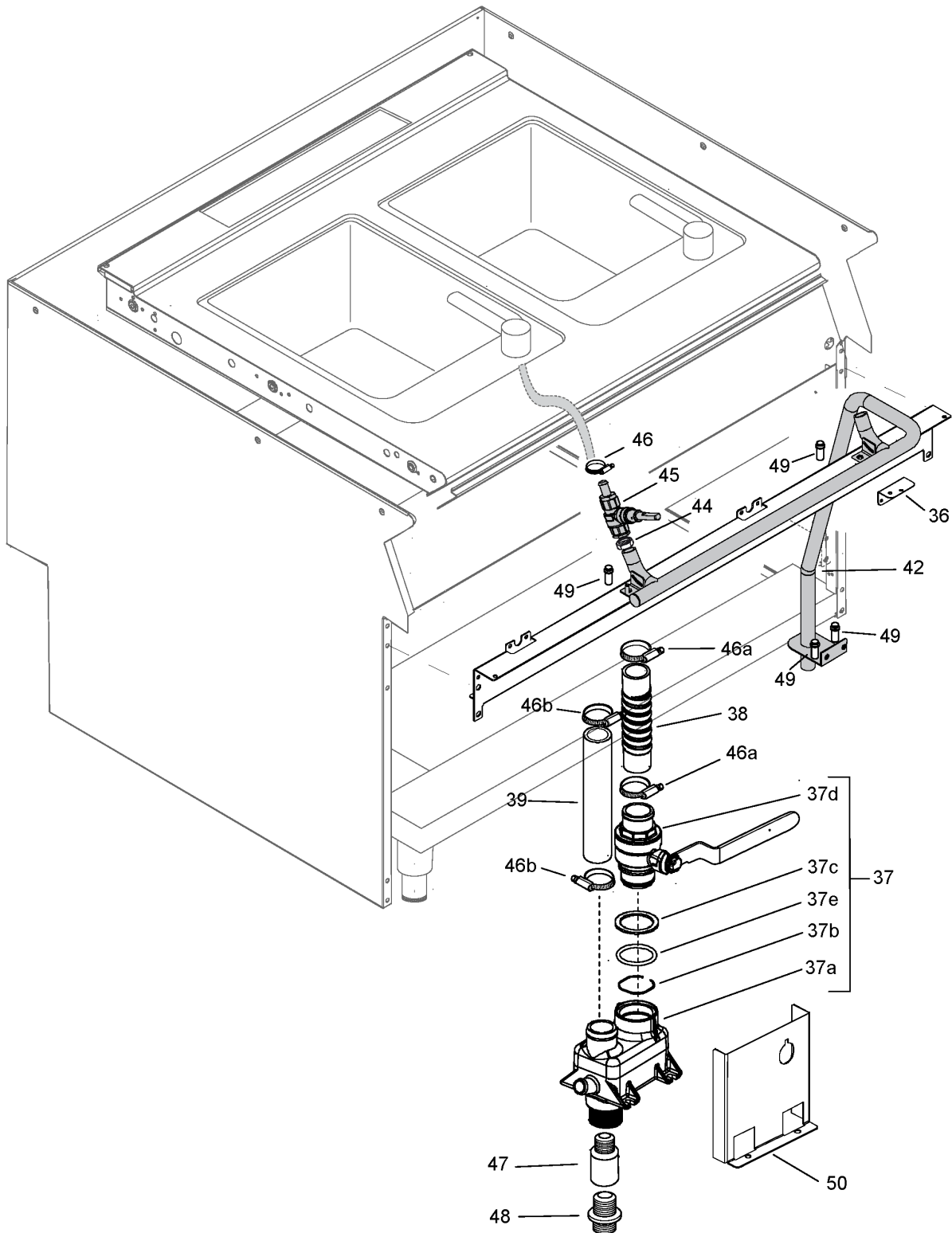
Doc. Nr.: **059785GJ00**

??????	391126								
??????	59785GJ00	???????? 2	General componets						
.		Alias		S			.		(Euro)
0001	0C0204	835856900		S				FOOT; Ø=50,5MM; PIN M10; AISI 304	22,11
0002	0CA526	85089DY02			D			OUTER COVER	a,c,e 270,00
0003	0C7619	87089A501						SHELF	c 989,00
0004	0C7620	85089BF02						CONTROL PANEL	c,u 66,69
0005	0C0156	527850500						BRACKET	 2,41
0006	0C8769	54887AH00		S				HANDLE	a,b,c,d,e,f 33,50
0007	0C0139	516860901		S				HINGE	 5,86
0008	0C0138	516860801		S				HINGE	 5,86
0009	0C7157	50389G300						DOOR	a,b,c,d,e,f,i,l,m,n,u 77,44
0010	0C7158	50489CQ00						INNER DOOR	 33,80
0011	0C4433	565819900						SPACER	 1,57
0011	0C7156	85089AA02						OVEN DOOR	a,b,c,d,e,f,i,l,m,n,u 137,00
0012	0C6171	541813800	0C6172					WASHER; SILICONE	
0014	0C0201	830898201		S				MAGNET	 18,30
0015	0C6802	548876G01		S				RING NUT	a,b,c,d 7,95
0015	0C7134	548877Y00						RING NUT	a,b,c,d 7,95
0015	0C7178	548877X00						RING NUT	a,b,c,d 10,14
0016	053816	543821000		S				GASKET; ØI=4,5MM; ØE=14MM; H=3MM	 3,29
0018	0C8646	54887AW00		S		Kit		ADAPTER; WITH KNOB; DIA.10; KIT	a,b,c,d,u - ELUX 19,53
0018	0C8700	548877W00		S		Kit		KNOB WITH ADAPTER; DIA.6; KIT	a,b,c,d,e,f,u - ELUX 19,63
0019	069567	218912211	0C6288					RING CONNECTION	
0020	000000	50489Y400							c,i,o,u
0022	054905	514848301		S				SPRING FILTER; AISI 304	 8,26
0023	0C0559	528822601						DRIP TRAY	 57,04
0024	0C5567	511832304						WATER SPOUT	 64,96
0025	0C7333	50389LP00		S				CHIMNEY GRID; L=400MM	 25,68
0026	056917	F927212						PASTA COOKER BASKET; DIA 170X180 MM	 79,30
0026	056918	F927213		S				PASTA COOKER BASKET; Ø135X180MM	 65,90
0027	056915	F926210	0C1340					PASTA COOKER BASKET; 275X150X180MM 2GRIF	
0027	056916	F927211	0C1339					PASTA COOKER BASKET; 275X230X180 MM	
0028	056920	F927216	0C1341					PASTA COOKER BASKET; 275X480X180 MM	
0029	056922	F927219		S				BOTTOM GRILL	 39,10
0030	0C9655			S		Kit		CONNECTION REAR PLATE; KIT	Screws and plate 8,91
0031	0C9938	F206236	0CA806					PASTA COOKER BASKET; 140X140X215H	 110,00
0032	0C8716	54887AQ00		S		+		ADAPTER; DIA.10	a,b,c,d,u - ELUX 3,45
005a	0CA064	50389GX03			D			BOTTOM PLATE	c,i,o 32,68

??????	391126									
??????	59785GJ00	???????? 2	General componets							
.		Alias		S			.		(Euro)	
021a	004836	506864501		S				STRAINER; DIAM. 50MM	except for KIP	10,27
021b	0C6960	506899Z01						BOTTOM STRAINER; DIAM. 34MM	Also overflow for KIP	17,98

FROM S/N 3 38 - DA MATRICOLA S/N 3 38

Idraulic circuit (water) / Componenti impianto idraulico (acqua)



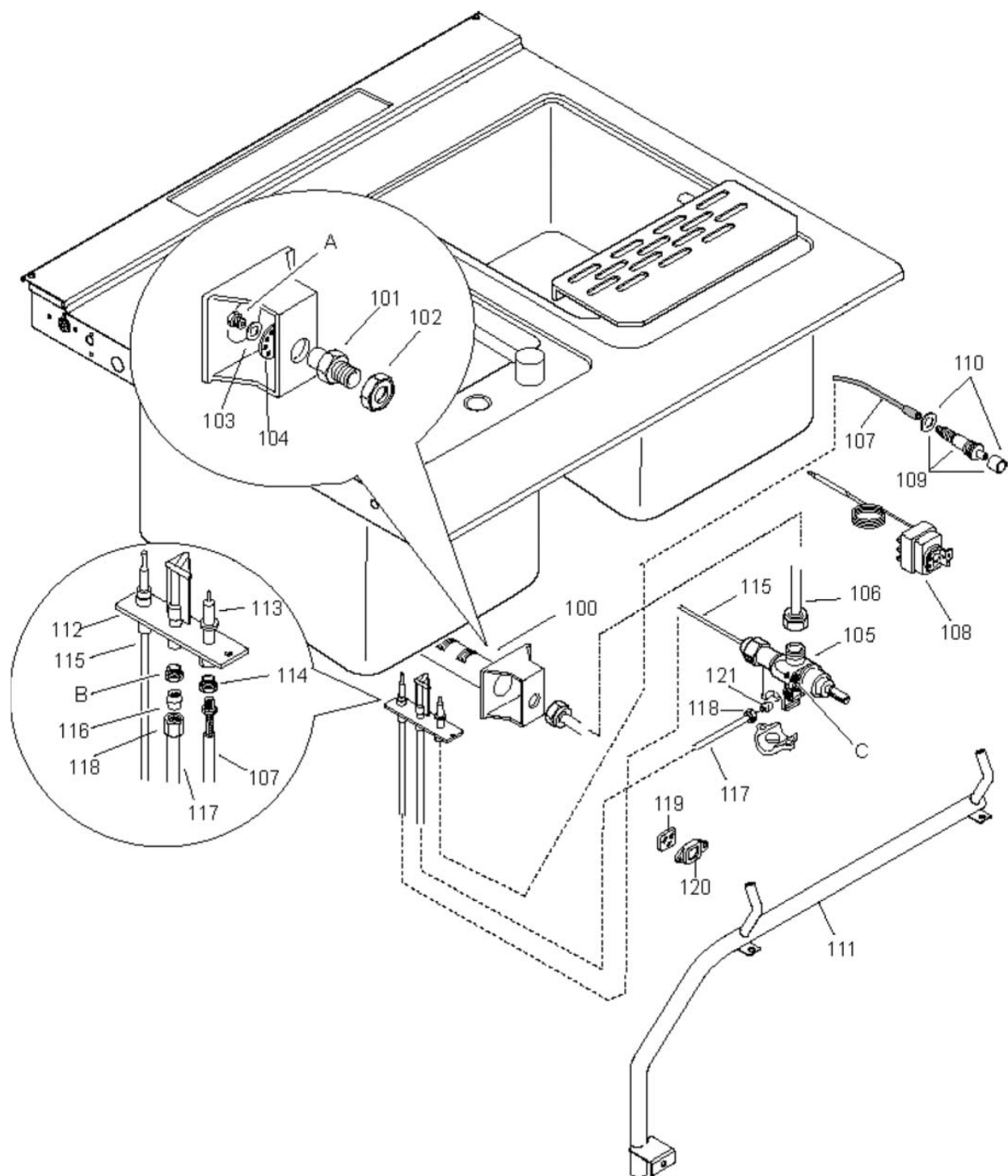
From sr. Nr/ Da Ser. Nr.: 3381
From status level / Da scatto:

Page: 3, ed 12, 2018 10

Doc. Nr.: **059785GJ00**

??????	391126								
??????	59785GJ00	???????? 3	Hydraulic circuit						
.		Alias		S			.		(Euro)
0036	0C9743	50689DY00			D			DRILLING JIG	a,b,c,d,u,i,l,m,n,o,p,q,r,s,t - TB PDX2013-03 13,39
0037	0C6953	855899X02	0CA490					DRAIN MANIFOLD	a,b,c,d,u,i,l,m,n,o,p,q,r,s,t - Up to 5481...
0037	0CA490	855899X06		S				DRAIN MANIFOLD	a,b,c,d,u,i,l,m,n,o,p,q,r,s,t - From 5491...
0038	0C9200	544825P00	0CA373					DRAIN HOSE; L=225MM; DIA.38MM	Up to 5201...
0038	0CA373	544825Z00		S				DRAIN HOSE; DIA.30MM L=171MM	a,b,c,d,f,u,i,l,m,n,o,p,q,r,s,t - From 5211...
0039	0C7133	544825F00		S				OWERFLOW PIPE	a,b,c,d,u,i,l,m,n,o,p,q,r,s,t 26,39
0042	0C9633	83089JZ01						WATER PIPE; CP 1/2M	a,c,i,m,o,q - 1x40 WELL 81,00
0042	0C9740	83089KF02						WATER PIPE; KIT FOR 1/2M	a,c,i,m,o,q - TB PDX2013-03 - 1x40 WELL 159,40
0044	0C8993	516875100		S				LOCK NUT; 3/8"; SP.6MM	a,b,c,d,u,i,l,m,n,o,p,q,r,s,t 5,13
0045	0C9635	835877Z00		S				BALL VALVE; 3/8"	a,b,c,d,u,i,l,m,n,o,p,q,r,s,t 55,01
0046	049888	518613100		S				HOSE CLAMP	a,b,c,d,u,i,l,m,n,o,p,q,r,s,t 4,22
0047	0C9205	511851900		S				SLEEVE; 1" GAS	Up to WK38-2013... 18,68
0048	0C9204	511851900		S				NIPPLE; 1" GAS	Up to WK38-2013 15,78
0049	0C7118	518803100		S				INSERT; M5	a,b,c,d,u,i,l,m,n,o,p,q,r,s,t - TO FIX POS.42 1,02
0050	000000	50589L700							a,b,c,d,u,i,l,m,n,o,p,q,r,s,t - Except for KIP
037a	0CA570	544825903	0CA490					WATER DRAIN FITTING	a,b,c,d,u,i,l,m,n,o,p,q,r,s,t - From 5491... 18,37
037b	0CA571	516899A02						SPRING RING	a,b,c,d,u,i,l,m,n,o,p,q,r,s,t - From 5491... 17,46
037c	0CA463	206800101						WASHER; DI.33.2 DE.42 SP.2MM	a,b,c,d,u,i,l,m,n,o,p,q,r,s,t - From 5491... 3,55
037d	0CA464	80589A303	0CA490					WATER VALVE; 1"	a,b,c,d,u,i,l,m,n,o,p,q,r,s,t - From 5491... 38,57
037e	0C6800	543827500		S				O-RING; DIA.32.93XSP.3.53	a,b,c,d,u,i,l,m,n,o,p,q,r,s,t 6,17
046a	0C9201	518825C00		S				CLAMP; 37-40MM	a,b,c,d,u,i,l,m,n,o,p,q,r,s,t 12,46
046b	0L2728	518613300		S				CLAMP; 25-40 9MM INOX	a,b,c,d,u,i,l,m,n,o,p,q,r,s,t 4,65

Gas components / Componenti gas



From sr. Nr/ Da Ser. Nr.: 3381

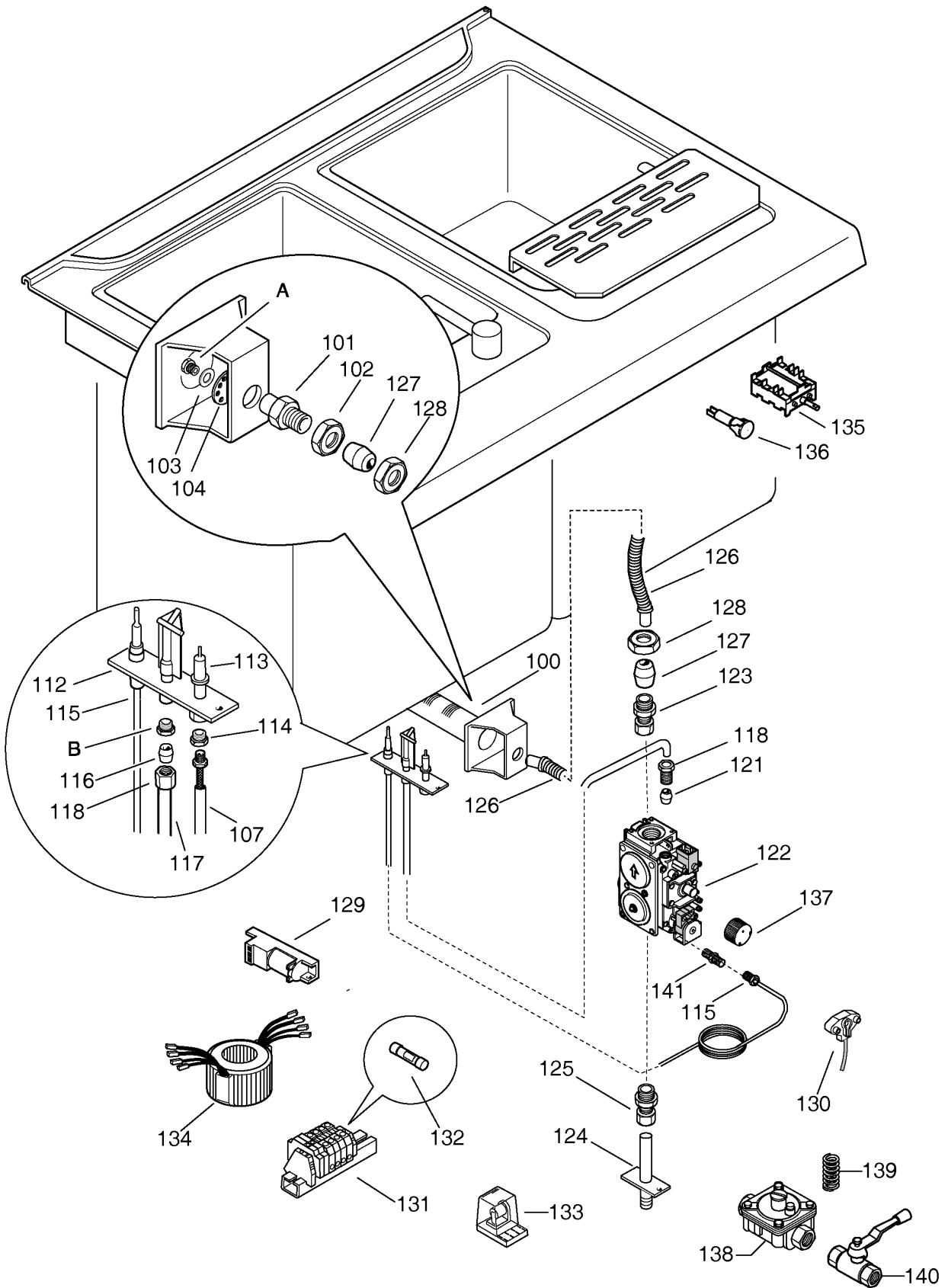
From status level / Da scatto:

Page: 5, ed 12, 2018 10

Doc. Nr.: **059785GJ00**

??????	391126									
??????	59785GJ00	???????? 5	Gas components							
.		Alias		S			.			(Euro)
0100	0C8028	83089DV01		S				BURNER	all GAS except for e,f	77,85
0101	054118	514829700						NOZZLE		6,90
0102	020997	214105101		S				LOCK NUT		1,25
0103	054029	506833401		S				GASKET		1,02
0104	054039	830828001		S				AERATOR		6,59
0105	0C8647	835875R01		S				GAS TAP	a,b,c,d,u,i,l,m,n,o,p,q,r,s,t	107,50
0106	0C8029	80589AN00						VALVE-BURNER PIPE	a,b,c,d,u,i,l,m,n,o,p,q,r,s,t	14,12
0107	0C9198	80589BY00		S	A			IGNITION CABLE; L=700MM	700MM - LONG	7,46
0109	059251	835829600	0C9240				02005	PIEZOELECTRIC IGNITER	a,b,c,d,e,f,u,i,l,m,n,o,p,q,r,s,t	
0109	0C9240	835834901		S	A	+		PIEZOELECTRIC IGNITER	a,b,c,d,e,f,u,i,l,m,n,o,p,q,r,s,t	20,40
0109	0C9407	541809001	0C9409		A	+		PUSH BUTTON COVER	a,b,c,d,e,f,u,i,l,m,n,o,p,q,r,s,t	
0109	0C9408	516814601	0C9409					WASHER; FOR PIEZOELECTRIC IGNITER	a,b,c,d,e,f,u,i,l,m,n,o,p,q,r,s,t	
0110	0C9409			S			Kit	PUSH BUTTON COVER; KIT	a,b,c,d,e,f,u,i,l,m,n,o,p,q,r,s,t	4,49
0111	0C8031	83089DA00						GAS FEED PIPE	a,c,i,m,o,q - 1x40 WELL	44,25
0112	054032	830828100		S				PILOT BURNER		18,32
0113	052610	330272401		S				SPARK PLUG; DIA 6X44 MM		4,40
0114	052125	214164400		S				PIPE FITTING; M10X1; HOLE DIAM.4MM		1,00
0115	0C3162	831818901		S	A			INTERRUPTED THERMOCOUPLE; ORKLY 16400-35	a,b,c,d,u,i,l,m,n,o,p,q,r,s,t	30,25
0116	053665	515827401		S				DOUBLE CONE; DIAM.=4MM		1,00
0117	0C8032	51589A901		S				PIPE	a,b,c,d,u,i,l,m,n,o,p,q,r,s,t	9,83
0118	052125	214164400		S				PIPE FITTING; M10X1; HOLE DIAM.4MM		1,00
0119	000000									
0120	000000									
0121	052127	215199700		S				DOUBLE CONE; DIA 4MM		1,00

Gas components / Componenti gas



From sr. Nr/ Da Ser. Nr.: 3381

From status level / Da scatto:

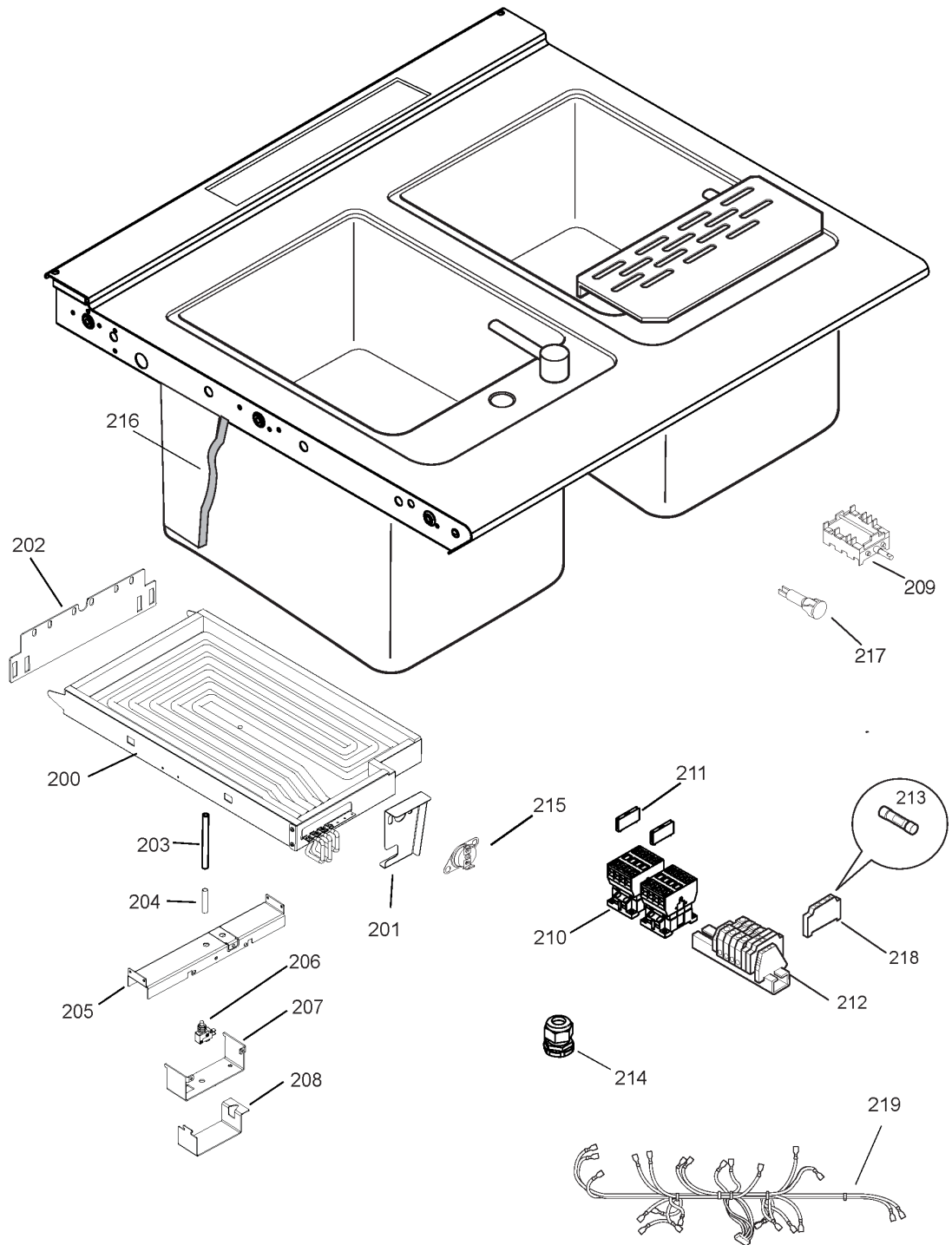
Page: 6, ed 12, 2018 10

Doc. Nr.: **059785GJ00**

??????	391126								
??????	59785GJ00	???????? 6	Gas components						
.		Alias		S			.		(Euro)
0100	0C8028	83089DV01		S				BURNER	all GAS except for e,f 77,85
0101	054118	514829700						NOZZLE	6,90
0102	020997	214105101		S				LOCK NUT	1,25
0103	054029	506833401		S				GASKET	1,02
0104	054039	830828001		S				AERATOR	6,59
0107	0C9198	80589BY00		S	A			IGNITION CABLE; L=700MM	700MM - LONG 7,46
0112	054032	830828100		S				PILOT BURNER	18,32
0113	052610	330272401		S				SPARK PLUG; DIA 6X44 MM	4,40
0114	052125	214164400		S				PIPE FITTING; M10X1; HOLE DIAM.4MM	1,00
0115	0C3162	831818901		S	A			INTERRUPTED THERMOCOUPLE; ORKLY 16400-35	a,b,c,d,u,i,l,m,n,o,p,q,r,s,t 30,25
0116	053665	515827401		S				DOUBLE CONE; DIAM.=4MM	1,00
0117	0C8032	51589A901		S				PIPE	a,b,c,d,u,i,l,m,n,o,p,q,r,s,t 9,83
0118	052125	214164400		S				PIPE FITTING; M10X1; HOLE DIAM.4MM	1,00
0121	052127	215199700		S				DOUBLE CONE; DIA 4MM	1,00

FROM S/N 8251 - DA MATRICOLA S/N N 8251

Electric components / Componenti elettrici



Actual wire harness may be different from illustration.
Il cablaggio elettrico puo' essere diverso dall'illustrazione

From sr. Nr/ Da Ser. Nr.: 3381

From status level / Da scatto:

Page: 7, ed 12, 2018 10

Doc. Nr.: **059785GJ00**

??????	391126									
??????	59785GJ00	???????? 7	Electric Components							
.		Alias		S			.		(Euro)	
0200	OCB381	61783AM00		S				HEATING ELEMENT; 400V 10KW	From 8251 - PDX2018-03	273,00
0201	OCB475	50289H101	OCB476		D			HEATING ELEMENT SUPPORT	From 8251 - PDX2018-03	13,09
0202	OCB474	50489TZ02	OCB476		D			HEATING ELEMENT SUPPORT; THERMALIZER PAN	From 8251 - PDX2018-03	19,26
0203	OC8182	569807501		S				STEATITE TUBE		13,49
0204	OCB496	51489DT01		S				BRAS ROD	From 8251 - PDX2018-03	18,00
0205	OCA958	50489T402			D			SUPPORT; FOR ROD and MICRO	From 8251 - PDX2018-03	35,31
0206	OCA553	640804N00						MICROSWITCH	From 8251 - PDX2018-03	19,59
0207	000000	50589JP00							From 7451	
0208	000000	50789A000							From 7451	
0209	OC7353	641805101		S	A			COMMUTATOR; 8 POLI 5 POS.	c,d,u - ELUX	30,55
0210	OC7622	648807900		S	A			CONTACTOR; 230V 50/60HZ		30,75
0211	000000	H58194500								
0212	006854	639806600		S				TERMINAL BOARD		42,22
0213	OC1884	652806400		S				FUSE; T10A; USA; 10X38MM	10 A	61,71
0214	OC0068	544802300		S				FIXING CABLE		4,18
0215	OC6155	653800000		S				KLIXON; 120°C; RIP MANUAL	c,d,u,i,l,o,p - (electric)	15,84
0216	OCA200	560873903						INSULATOR		28,93
0217	005010	876800002		S				GREEN PILOT LAMP ASSY; ROUND; 230V		4,76
0218	075737	652603200		S				FUSE HOLDER		10,54
0219	OC9678	638899T02		S				WIRING HARNESS	c,i,o - 1x40 WELL	115,70
0219	OCB458				D			Gas Pasta cooker maintenance;KIT;N900 40	40LT Gas Pasta cooker (12+44+45+46+109+112+113 +114+115+116+118+121+noz zles TABLE B)	116,20
0219	OCB459				D			Gas Pasta cooker 3rd year maintenance;KI	40LT Gas Pasta cooker (12+39+44+45+46+4x46b +109+112+113+114+115+11 6+118+121+ nozzles TABLE B)	136,20
0219	OCB460				D			Electric Pasta cooker maintenance;KIT; 4	40LT Electric Pasta cooker (12+44+45+46)	72,50
0219	OCB461				D			Electric Pasta cooker 3rd year maintenan	40LT Electric Pasta cooker (12+39+44+45+46+4x46b)	91,70
0219	OCB462				D			Gas Pasta cooker maintenance;KIT;N900 2X	2X 40LT Gas Pasta cooker (2x12+2x44+2x45+2x46+2x1 09+2x112+2x113+2x114+2x1 15+2x116+2x118+2x121+noz zles TABLE B)	198,10
0219	OCB463				D			Gas Pasta cooker 3rd year maintenance;KI	2X 40LT Gas Pasta cooker (2x12+2x39+2x44+2x45+2x4 6+8x46b +2x109+2x112+2x113+2x114 +2x115+2x116+2x118+2x121 +nozzles TABLE B)	223,00
0219	OCB464				D			Electric Pasta cooker maintenance;KIT; 2	2X 40LT Electric Pasta cooker (2x12+2x44+2x45+2x46)	121,20
0219	OCB465				D			Electric Pasta cooker 3rd year maintenan	2X 40LT Electric Pasta cooker (2x12+2x39+2x44+2x45+2x4 6+8x46b)	152,60

Gas nozzles / Ugelli per gas

A - Ugello bruciatore / Burner nozzle				
Code	Spare Code	Reference		Ref / PNC
514899200	005934	ø2.05	3+3B/P	G30 30mbar
516821700	003514	ø1.95	3B/P	G30 37mbar
514833600	054631	ø1.80	3B/P	G30 50mbar
514831200	054034	ø3.00	2H/2E+	G20 20mbar
516844100	006419	ø2.90	2H	G20 25mbar
514869900	058245	ø3.25	2L	G25 25mbar
514831200	054034	ø3.00	2K	G25.3 25mbar
516844400	0C9487	ø3.45	2ELL	G25 20mbar
514869900	058245	ø3.25	2S	G25.1 25mbar
514848900	055018	Ø2.20		Propane
516844100	006419	Ø2.90		Methane
				KOREA market
				KOREA market

B - Ugello Pilota / Burner nozzle				
Code	Spare Code	Reference		Ref / PNC
514833900	054286	n° 24	3+3B/P	G30 30mbar
514833900	054286	n° 24	3B/P	G30 37mbar
514833900	054286	n° 24	3B/P	G30 50mbar
514831500	054037	n° 25	2H/2E+	G20 20mbar
514831500	054037	n° 25	2H	G20 25mbar
514831500	054037	n° 25	2L	G25 25mbar
514831500	054037	n° 25	2K	G25.3 25mbar
514831500	054037	n° 25	2ELL	G25 20mbar
514831500	054037	n° 25	2S	G25.1 25mbar
514833900	054286			Propane
514831500	054037			Methane
				KOREA market
				KOREA market

C - Vite Minimo / Min Screw				
Code	Spare Code	Reference		Ref / PNC
0835820700	056742	ø1.10	3+3B/P	G30 30mbar
0835802000	002392	ø0.95	3B/P	G30 37mbar
0835802000	002392	ø0.95	3B/P	G30 50mbar
0835837000	002993	ø1.80	2H/2E+	G20 20mbar
0835837000	002993	ø1.80	2H	G20 25mbar
0835837000	002993	ø1.80	2L	G25 25mbar
0835837000	002993	ø1.80	2K	G25.3 25mbar
0835837000	002993	ø1.80	2ELL	G25 20mbar
0835837000	002993	ø1.80	2S	G25.1 25mbar
0835820700	056742	ø1.10		Propane
0835837000	002993	ø1.80		Methane
				KOREA market
				KOREA market

From sr. Nr/ Da Ser. Nr.: 3381

From status level / Da scatto:

Page: 8, ed 12, 2018 10

Doc. Nr.: **059785GJ00**

??????	391126								
??????	59785GJ00	???????? 8	Gas nozzles						
.		Alias		S		.			(Euro)
0000	000000	0835802000							
0000	000000	0835820700							
0000	000000	0835837000							
0000	000000	514831200							
0000	000000	514831500							
0000	000000	514833600							
0000	000000	514833900							
0000	000000	514848900							
0000	000000	514869900							
0000	000000	514899200							
0000	000000	516821700							
0000	000000	516844100							
0000	000000	516844400							
0000	002392						SCREW		8,16
0000	002993			S			SCREW		8,16
0000	003514						NOZZLE		5,54
0000	005934			S			NOZZLE		5,54
0000	006419			S			NOZZLE		5,54
0000	054034						NOZZLE; DIA.3,00		5,54
0000	054037			S			PILOT BURNER NOZZLE; N°25.2; GN		2,38
0000	054286			S			PILOT BURNER NOZZLE; DIA 0.25 GPL		2,38
0000	054631						NOZZLE		5,60
0000	055018						NOZZLE		5,05
0000	056742			S			SCREW		8,16
0000	058245						NOZZLE; DIA.3,25		4,47
0000	0C9487						GAS NOZZLE; DIA.3,45MM		7,00