

**LAVASTOVIGLIE SOTTOTAVOLO  
 UNDERCOUNTER DISHWASHER**


---

**NUC/EUC/KUC/VUC/NUCA/ZUCA/FUCA/EUCA/  
 VUCA**


---

Code	Type	Ref.	Pagina/ Page	Code	Type	Ref.	Pagina/ Page
400035	EUC1/2	c2	3 4 5 7	400080	ZUC1GMS	d9	3 4 5 7
400036	EUC1DP/2	c3	3 4 5 7	400081	VUC1	e1	3 4 5 7
400040	EUC3/2	c4	3 4 5 7	400082	VUC3	e2	3 4 5 7
400041	NUC3DD	o	3 4 5 7	400083	VUC3G	e3	3 4 5 7
400045	EUC3DP/2	c5	3 4 5 7	400085	VUCA3G	e5	3 4 6 7
400046	EUC3DD/2	c6	3 4 5 7	400086	VUC1G	e4	3 4 5 7
400049	ZUC1	d3	3 4 5 7	400097	EUC3DDMCD	e6	3 4 5 7
400050	ZUC1DP	d4	3 4 5 7	400116	FUCA3DD	v	3 4 6 7
400053	ZUC3	d5	3 4 5 7	400120	NUC1DPP	a8	3 4 5 7
400055	EUC1	a	3 4 5 7	400121	EUC1DDM60	b9	3 4 5 7
400056	EUC1DP	c	3 4 5 7	400122	NUC1DUK	b4	3 4 5 7
400059	EUC3	b	3 4 5 7	400123	NUC1DDUK	b5	3 4 5 7
400061	EUC3DP	d	3 4 5 7	400127	KUC3	m	3 4 5 7
400063	EUC1G	w	3 4 5 7	400128	KUC3DP	n	3 4 5 7
400064	EUC1DP60	i	3 4 5 7	400130	NUC1DDRUKP	b6	3 4 5 7
400065	EUC3DD	e	3 4 5 7	400131	NUCA1GRUK	b7	3 4 6 7
400066	ZUCADDROW	a1	3 4 6 7	400132	NUC3DPP	c1	3 4 5 7
400067	ZUCADDROW60	a2	3 4 6 7	400133	NUC1D	b2	3 4 5 7
400068	EUCADD60	b1	3 4 6 7	400134	NUC1DD	b3	3 4 5 7
400069	ZUC3DP	d6	3 4 5 7	400137	EUCA1DP	a5	3 4 6 7
400070	ZUC3DD	d7	3 4 5 7	400138	NUC1GMS	a6	3 4 5 7
400073	EUC1G/2	c7	3 4 5 7	400139	EUC3DPCAG	a7	3 4 5 7
400074	EUCA1DDG	c8	3 4 6 7	400140	NUC1	f	3 4 5 7
400075	EUC1DP60	d1	3 4 5 7	400141	NUC1DP	g	3 4 5 7
400076	ZUC1DP60	d2	3 4 5 7	400144	NUC3	h	3 4 5 7
400077	EUC1GMS	c9	3 4 5 7	400146	NUC3DP	k	3 4 5 7
400078	ZUC1G	d8	3 4 5 7	400149	NUC1DP60	q	3 4 5 7
400079	ZUCA1DDG	d1	3 4 5 7	400150	NUC1DPA	r	3 4 5 7

**Pagina/ Page**

3

4

5

6

7

7 - 16

**Indice/ index**

Vista generale / Main view

Componenti idraulici / Hydraulic components

Circuito idraulico a pressione / Pressurized plumbing circuit

Circuito idraulico atmosferico / Atmospheric plumbing circuit

Componenti elettrici / Electrical components

Lista ricambi / Spare parts list

**Marchio/ Brand:** Z - A - E

**Paese/ Country:** Tutti/ All

Da Ser.Nr./From Ser.nr.: /839...

Page: 1 Ed. 2018-02

**Doc. Nr.: 595665K00**

**LAVASTOVIGLIE SOTTOTAVOLO  
UNDERCOUNTER DISHWASHER**

---

**NUC/EUC/KUC/VUC/NUCA/ZUCA/FUCA/EUCA/  
VUCA**

Code	Type	Ref.	Pagina/ Page
400151	ZUCA1	s	3 4 6 7
400152	ZUCA3	t	3 4 6 7
400153	EUCADDROW	a3	3 4 6 7
400154	EUCADDROW60	a4	3 4 6 7
400155	NUC1DPDD	b8	3 4 5 7
690028	NUC1G	x	3 4 5 7
698005	NUCA1DDG	z	3 4 6 7
698049	NUCA1DPDDG	a9	3 4 6 7

**Pagina/ Page**

3

4

5

6

7

7 - 16

**Indice/ index**

Vista generale / Main view

Componenti idraulici / Hydraulic components

Circuito idraulico a pressione / Pressurized plumbing circuit

Circuito idraulico atmosferico / Atmospheric plumbing circuit

Componenti elettrici / Electrical components

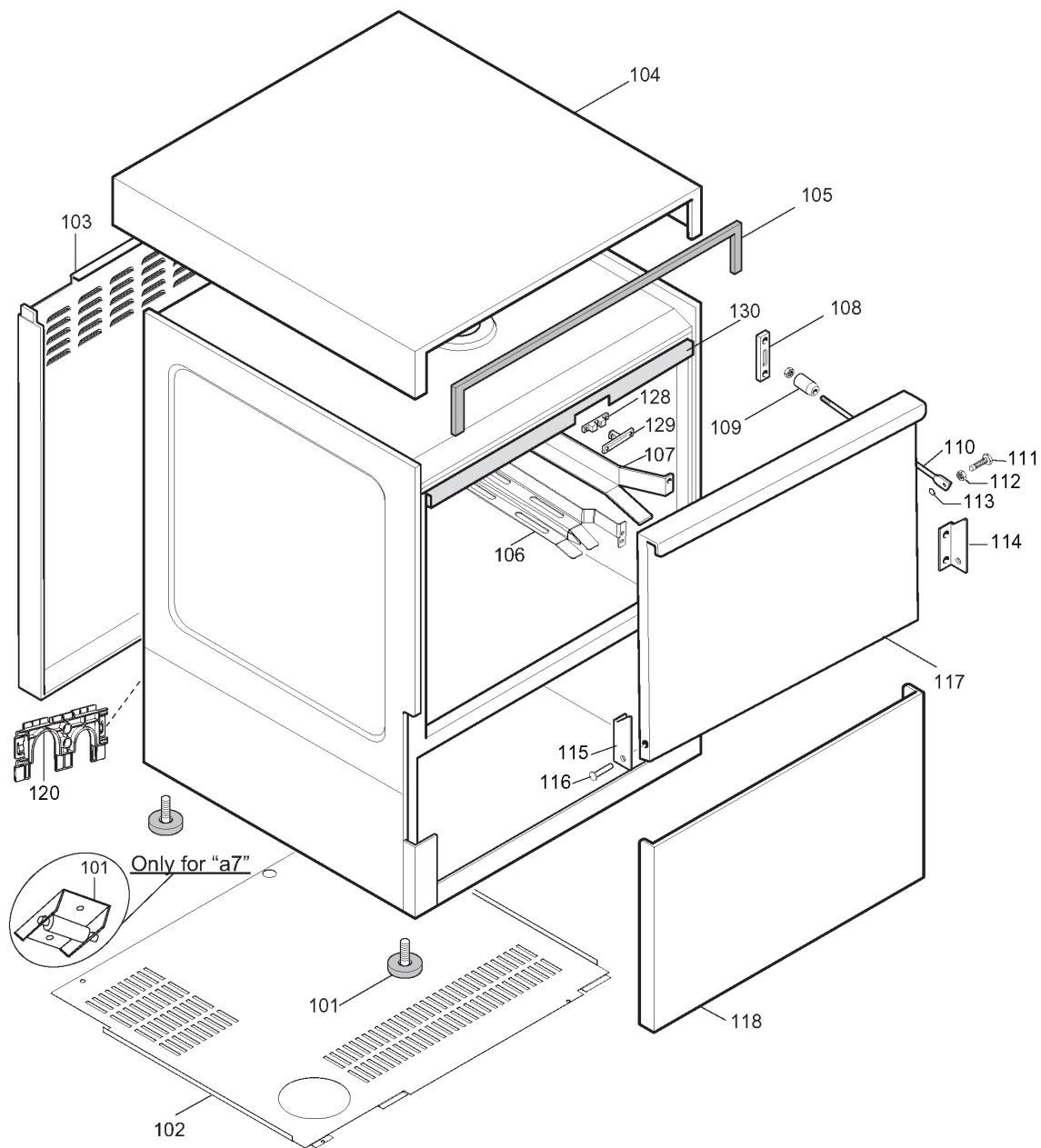
Lista ricambi / Spare parts list

**Marchio/ Brand:** Z - A - E**Paese/ Country:** Tutti/ All

Da Ser.Nr./From Ser.nr.: /839...

Page: 2

Doc. Nr.: 595665K00



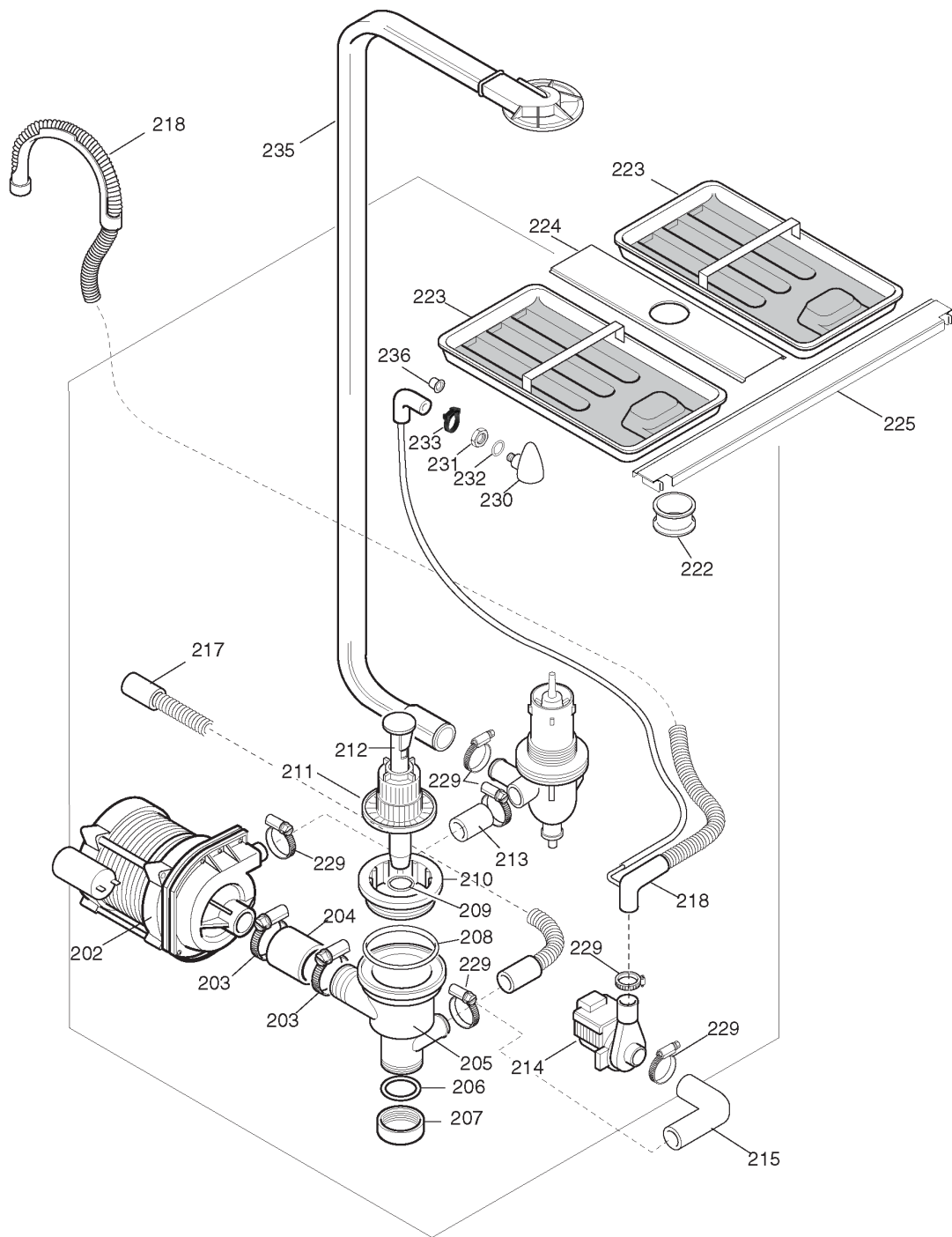
iii. 595665K00\_p2  
 Vista generale / Main view

Da Ser.Nr./From Ser.nr.: /839...

Page: 3 Ed. 2011-07

Doc. Nr.: 595665K00

??????	400140								
??????	595665K00	???????? 3	Main view						
.		Alias		S			.		(Euro)
0101	049393			S				LEVELLING FOOT; Ø=30MM; H=31MM	1,35
0102	0L2434							BOTTOM	Up to Ser. Nr.: 048 45,17
0102	0TT903				D			BOTTOM; LS5	Up to Ser. Nr.: 047
0103	0L1888							BACK PANEL; LS5 STANDARD	Up to Ser. Nr.: 012 - Not for "s,t,v,z,a1,a2,a3,a4,a5,a9,b1, b7"
0103	0L1889		0L2567					BACK PANEL; LS5	From Ser. Nr.: 013 - Up to Ser. Nr.: 029 - Not for "z,a9,b7"
0103	0L2567							BACK PANEL	Not for "z,a9,b7" - From Ser. Nr.: 030
0104	0L0122							COVER; ASSY	Up to Ser. Nr.: 012 162,40
0104	0L0257							COVER	From Ser. Nr.: 013 147,20
0105	046583			S		Kit		GASKET; 1PZ=5MT	9,12
0107	049272							SUPPORT	Not for "r,a3,a6,c9,d9 - Up to Ser. Nr.: 012
0107	049273							SUPPORT	Not for r,a3, a6,c9,d9 - Up to Ser. Nr.: 012
0107	0L2252							BASKET SUPPORT; LEFT	Not for r,a3, a6,c9,d9 - From Ser. Nr.: 013
0107	0L2254							BASKET SUPPORT; RIGHT	Not for r,a3,a6,c9,d9 - From Ser. Nr.: 013
0108	049285			S				PLAQUE	1,91
0109	049286			S				SHOCK ABSORBER	1,68
0110	049282			S				TIE ROD	16,36
0111	049283			S				PIN; FOR DOOR TIE ROD	6,45
0112	049372			S				NUT	1,02
0113	049284			S		+		RING	1,02
0114	049279			S				HINGE	Up to Ser. Nr.: 012 20,81
0114	0L2253			S				RIGHT HINGE	From Ser. Nr.: 013 6,97
0115	049280			S				HINGE	Up to Ser. Nr.: 012 20,13
0115	0L2251			S				LEFT HINGE	From Ser. Nr.: 013 6,97
0116	049281			S				PIN	Up to Ser. Nr.: 012 18,36
0116	0L2255			S				HINGE PIN	From Ser. Nr.: 013 4,12
0117	049951		0L2068		D			DOOR	Up to Ser. Nr.: 920
0117	0L2068			S				DOOR; ASSY	From Ser. Nr.: 921 219,20
0118	0L1649		0L2568					FRONT PANEL; LS5	Up to Ser. Nr.: 029
0118	0L2568			S				FRONT PANEL	From Ser. Nr.: 030 57,35
0120	0L0112							COVERING	4,12
0128	049271			S				LATCH	53,90
0129	049536			S				CATCH	24,87
0130	0L0021			S				GASKET; L=592MM	5,06



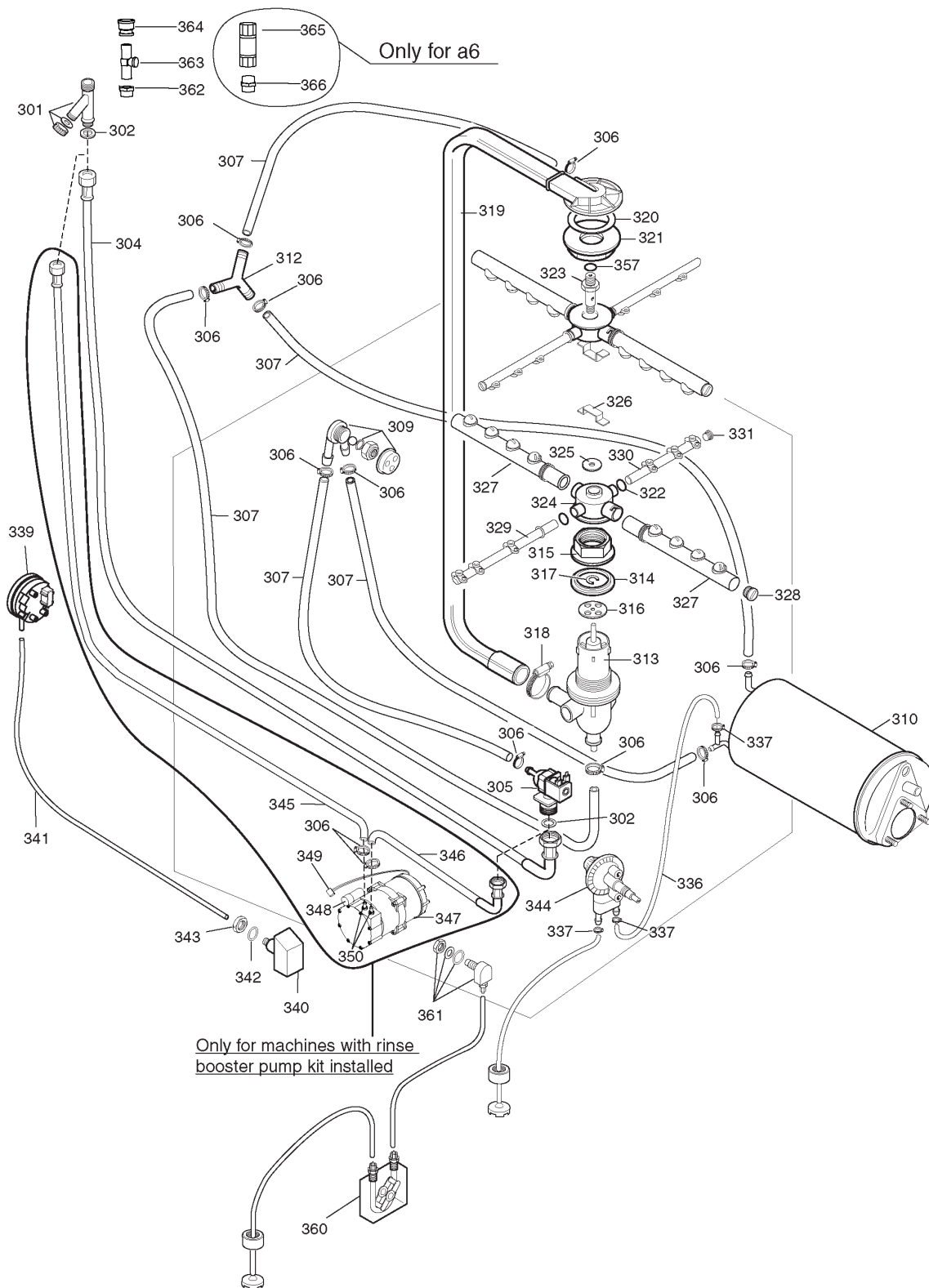
**ill. 595665K00\_p3**  
**Componenti idraulici / Hydraulic components**

Da Ser.Nr./From Ser.nr.: /839...

Page: 4 Ed. 2014-12

**Doc. Nr.: 595665K00**

??????	400140								
??????	595665K00	???????? 4	Hydraulic components						
.		Alias		S			.		(Euro)
0202	0L0126			S	A			WASH PUMP; ZF340SX; 230V 1PH; 50HZ	Not for "i,q,a2,a4,b1" - 50Hz 222,30
0203	0L0193			S				CLMAP; 40-60/9	2,01
0204	0L1374			S				PUMP SUCTION PIPE; LS5 LS6	7,92
0205	048325		0L1629			+		DRAIN MANIFOLD	
0206	049828			S		+		O-RING; ØI=50MM; ØE=59,5MM	1,62
0207	046596			S		+		PLUG; FOR MANIFOLD	2,74
0208	049894			S		+		O-RING; ØI=110X4 MM	2,01
0209	046799			S		+		O-RING; FOR OVERFLOW PIPE	1,02
0210	048326			S		+		RING NUT; FOR MANIFOLD	6,12
0211	048324			S		+		PUMP SUCTION FILTER	10,64
0212	048323			S		+		OVERFLOW PIPE	a,b,f,h,m,s,t,b2,b4,c2,c4,d3,d 5,e1,e2 8,23
0213	0L0259			S				JUNCTION	4,33
0215	049877			S				SLEEVE	c,d,e,f,g,k,i,n,o,q,r,w,v,x,z,a1, a2,a3,a4,a5,a6,a7,a8,a9,b1,b 2,b3,b4,b5,b6,b7,b8,c1,c2,c3, c5,c6,c7,c8,c9,d1,d2,d3,d4,d6 ,d7,d8,d9,e1.e3.e4.e5.e6 11,72
0217	049856			S				DRAIN PIPE; L=1600MM.	a,b,f,h,m,s,t,b2,b4,c2,c4,d3,d 5,e1,e2 11,50
0229	046878			S		+		HOSE CLAMP; 35-50/9	1,91
0230	048853			S		+		AIR CHAMBER	4,01
0231	049268			S		+		HEX NUT; M14X1,5	1,80
0232	068642			S		+		O-RING; ØI=15,54X2,62	1,02
0233	046946			S		+		CLAMP; 8-12/7,5	Up to Ser: 2014-49 2,22
0233	0L3522							PLASTIC CLAMP WITH RATCHET	Up to Ser: 2014-50 2,45
0235	0L0125			S				SUPPORTING TUBE FOR UPPER JETS	35,22
0236	049849			S				STOPPER	1,02



iii. 595665K00\_p4A  
 Circuito idraulico a pressione / Pressurized plumbing circuit

Da Ser.Nr./From Ser.nr.: /839...

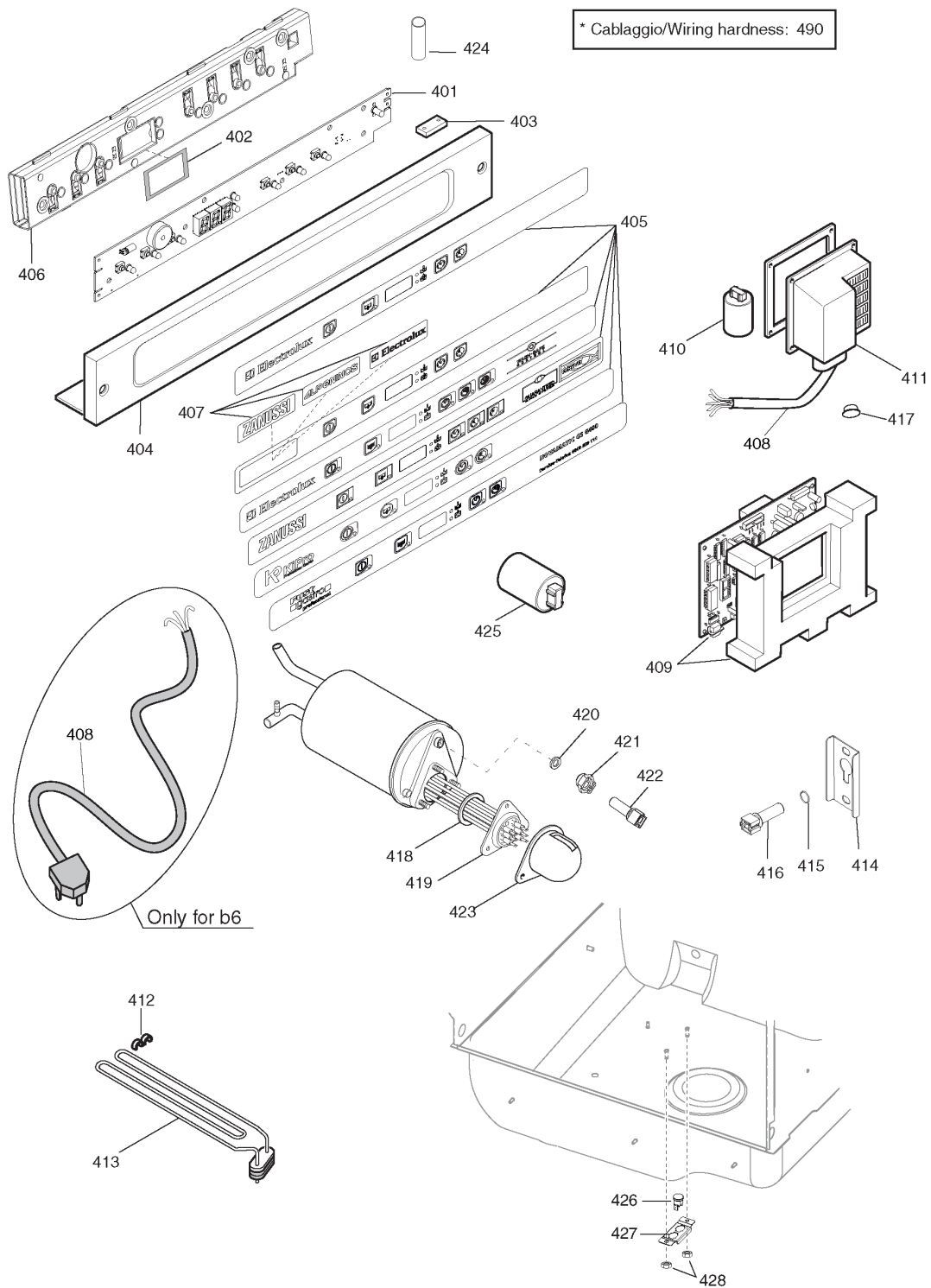
Page: 5 Ed. 2013-06

Doc. Nr.: 595665K00

??????	400140								
??????	595665K00	???????? 5	Pressurized plumbing circuit						
.		Alias		S		.			(Euro)
0301	048834			S				STRAINER	13,63
0302	0L1945			S		Kit		GASKET; SET 50PCS; DIA.26,5MM	16,55
0304	0L1887			S				FEEDING HOSE; 2000MM	14,49
0305	048817		0L3440					SOLENOID VALVE; 220-240V 50HZ; 319P5	
0306	048126			S		+		CLIP; 13-20	1,58
0307	048531			S		+		RUBBER HOSE; ØI=12MM;ØE=19,5MM;BY METER	9,55
0309	0L1892			S		+		NONRETURN VALVE; HIGH TEMPERATURE	18,09
0310	0L0352			S	A			BOILER	From Ser. Nr.: 921
0310	0L1890		0L0352					BOILER; LS5	Up to Ser. Nr.: 920
0312	048195			S				3-WAY FITTING; 2XØ=12MM E 1XØ=8,6MM	6,58
0313	049290			S				SUPPORT	52,88
0314	048236			S		+		GASKET	3,69
0315	048330			S		+		RING NUT	5,29
0316	048820			S		+		SHUTTER	4,65
0317	048979			S		+		SNAP RING	1,42
0318	046878			S		+		HOSE CLAMP; 35-50/9	1,91
0319	0L0125			S				SUPPORTING TUBE FOR UPPER JETS	35,22
0320	0L0110			S				GASKET; ØI=88MM; ØE=120MM; H=1MM	8,63
0321	048824			S				RING NUT	3,48
0322	047473			S		+		O-RING; ØI=14MM; ØE= 17,56MM	1,02
0323	049292			S				PIN	20,40
0324	049293			S		+		HUB; FOR WASH ARMS	20,17
0325	047282			S		+		WASHER	8,13
0326	049294			S		+		WASHER PROTECTION	3,59
0327	049295			S		+		WASHING JET	13,52
0328	049296			S	A	+		CAP; FOR WASH ARM	2,43
0329	049297			S		+		RINSE JET	11,93
0330	049298			S		+		RINSE JET	11,93
0331	049299			S		+		CAP; RINSE ARM	4,12
0336	048883			S				RUBBER HOSE; 5X12; 1PZ=2300MM	12,31
0337	046946			S		+		CLAMP; 8-12/7,5	2,22
0339	049881						CGX200 4-07	PRESSURE SWITCH;TYPE 760;CALIB.=60/20-11	19,18
0340	048308			S		+		AIR TRAP; FOR PRESSURE GAUGE	4,44
0341	049904						CGX200 8-16	PRESSURE SWITCH HOSE; L=60CM	5,17
0343	049268			S		+		HEX NUT; M14X1,5	1,80



??????	400140								
??????	595665K00	???????? 5	Pressurized plumbing circuit						
.		Alias		S			.		(Euro)
0344	0L0094		0L4295					RINSE AID DISPENSER	f,g,h,k,m,n,o,q,x,a6,a7,a8,b4,b5,b6 - Up to Ser. nr. 347 - Not for
0344	0L3182		0L4295					RINSE AID DISPENSER	f,g,h,k,m,n,o,q,x,a6,a7,a8,b2,b4,b5,b6,c1,c2,c3,c4,c5,c6,c7,c9,d1,d2,d3,d4,d5,d6,d7,d8,d9,e6 - From Ser. nr. 348 up to 7401
0344	0L4295			S				RINSE AID DISPENSER	f,g,h,k,m,n,o,q,x,a7,a8,b6,b8,b9,c1,c2,c3,c4,c5,c6,c7,c9,d1,d2,d3,d4,d5,d6,d7,d8,d9,e1,e2,e3,e4,e6 - From to Ser. nr. 7411
0345	0L2394							FEEDER HOSE	Rinse booster pump kit
0346	0L2389							FEEDER HOSE	Rinse booster pump kit
0347	0L2391			S	A			RINSE PUMP; PS45	Rinse booster pump kit
0348	049126			S	A			CAPACITOR; 8MF	8 µF - Rinse booster pump kit
0349	0L2392				D			EL. CABLE; FOR GROUND	Rinse booster pump kit
0350	0L2390							RINSE PUMP; ASSY	Rinse booster pump kit (pos. 347 + pos. 349 + pos. 350)
0350	0L2393							RUBBER HOLDER; 3/8"; MALE	Rinse booster pump kit
0357	047986		0Q0014			+		GASKET	



iii. 595665K00\_p5  
**Componenti elettrici / Electrical components**

Da Ser.Nr./From Ser.nr.: /839...

Page: 7 Ed. 2017-07

**Doc. Nr.: 595665K00**

??????	400140								
??????	595665K00	???????? 7	Electrical components						
.		Alias		S			.		(Euro)
0401	0L1565		0L1626		D			USER INTERFACE BOARD	Up to 7191
0401	0L3875		0L4473	S	A			USER INTERFACE BOARD	From 7201 110,00
0402	0L1943			S				GASKET	1,02
0403	0L1871			S	A	Kit		REED SWITCHT; KIT	20,40
0404	0L1667							CONTROL PANEL	Not for "s,t,a1,a2,a3,a4,a5,b1" 45,27
0405	0L1663			S				ADHESIVE MEMBRANE; LS5	f,g,h,o,k,q,r,x,z,a6,a8,a9,b2,b3,b4,b5,b7,c1,b6,b7,b8 - up to 7431 17,40
0406	0L1567		0L1626		D			COVERING; LS5-6	
0407	000000	54864AK00							
0407	0L1664				D			ADHESIVE NAME PLATE; LS5/LS6	
0407	0L1665							ADHESIVE; LS5/LS6	
0408	0L2055				D			SUPPLY CABLE; 3X2.5 L=1600	a,c,f,g,i,q,w,x,a6,a8,b2,b3,b4,b5,b6,b8,c2,c3,c7,c9,d1,d2,d3,d4,d8,e1,e4 21,62
0409	0L2582			S	A			PCB; DIWAP10; 50/60HZ	a,c,f,g,i,q,r,w,x,a6,a8,b2,b3,b4,b5,b6,b8,c2,c3,c6,c9,d1,d2,d3,d4,d7,e1,e4,e6 203,00
0410	049977		092257					FILTER	a,c,f,g,i,q,s,w,x,a5,a6,a8,b2,b3,b4,b5,b6,b8,c2,c3,d3,d4 - Up to Ser. Nr.: 235
0411	0L0127			S				JUNCTION BOX	a,c,f,g,i,q,r,w,x,s,a5,a6,a8,b2,b3,b4,b5,b6,b8,c2,c3,c7,c9,d1,d2,d3,d4,d8,e1,e4 32,48
0412	048429			S				BRACKET	2,01
0413	049954		0L2109					TANK HEATING ELEMENT	Up to Ser. Nr.: 946
0413	0L2109			S	A			TANK HEATING ELEMENT; 230V-2000W	Not for "a1,a2,a3,a4,b1" - From Ser. Nr.: 947 33,29
0414	0L0366			S				SUPPORT	3,44
0415	0L2303			S		+		O-RING; DIA.9,25X1,78	1,02
0416	049643			S		+		TEMPERATURE PROBE	9,76
0418	0L2765			S		+		O-RING; 5,34X47,00MM; SILICON	1,92
0419	049980			S	A			HEATING ELEMENT; 230V 2800W	a,c,f,g,i,q,r,s,a5,a8,b2,b3,b5,b6,b8,c2,c3,d1,d2,d3,d4,d9,e1 48,01
0420	0L2303			S		+		O-RING; DIA.9,25X1,78	1,02
0421	0L0280			S	A	+		STUFFING BOX	11,51
0422	049643			S		+		TEMPERATURE PROBE	9,76
0423	065560			S		+		CAP; FOR BOILER HEATING ELEMENT	1,80
0424	063881								
0426	0L2895			S				SAFETY THERMOSTAT; 105°C	8,23
0427	0L2894							BRACKET	5,37
0428	0C8219			S		+		NUT	1,02
0490	0L2485			S				WIRING HARNESS	a,c,f,g,i,q,r,w,x,s,a5,a6,a8,b2,b3,b4,b5,b6,b8,c2,c3,c7,c9,d1,d2,d3,d4,d8,e1,e4 73,99