

**LAVASTOVIGLIE A CAPPOTTINA  
HOOD TYPE DISHWASHER****ZHT / OHT / KHT / NHT / EHT**

Code	Type	Ref.	Pagina/ Page	Code	Type	Ref.	Pagina/ Page
<b>PRESSIONE</b>				<b>ATMOSFERICA</b>			
505046	EHT	a	2 3 5 6	505036	EHTAO	q	2 3 4 6
505047	EHT60	b	2 3 5 6	505048	EHTG	d	2 3 4 6
505049	EHTM	e	2 3 5 6	505054	EHTAROW	m	2 3 4 6
505050	EHTM60	f	2 3 5 6	505055	EHTAROW60	n	2 3 4 6
505051	NHT	h	2 3 5 6	505056	ZHTAROW	o	2 3 4 6
505052	NHTD	i	2 3 5 6	505057	ZHTAROW60	p	2 3 4 6
505053	NHT60	l	2 3 5 6	505058	EHTAJ	z	2 3 4 6
505063	KHT	c	2 3 5 6	505059	EHTAJ60	k	2 3 4 6
505064	NHTM	x	2 3 5 6	505060	EHTAO60	r	2 3 4 6
505065	NHTM60	y	2 3 5 6	505061	ZHTAO	s	2 3 4 6
505082	NHTP	a1	2 3 5 6	505062	ZHTAO60	t	2 3 4 6
				698047	OHTAROW	u	2 3 4 6
				698048	OHTAROW60	v	2 3 4 6
				698058	NHTDPDDG	a2	2 3 4 6
				698110	NHTG	g	2 3 4 6

**Pagina/ Page****Indice/ index**

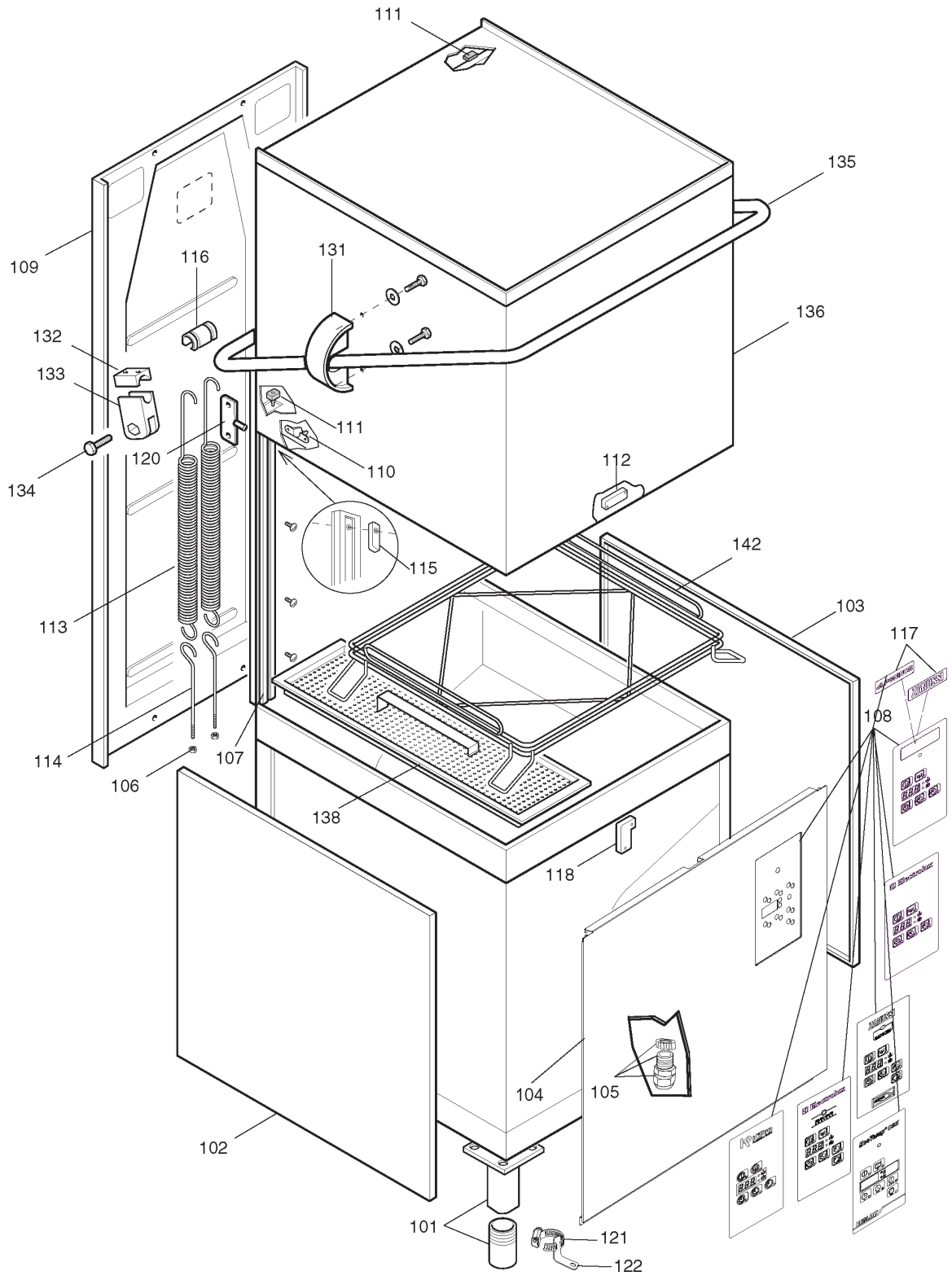
2	Vista generale / Main view
3	Componenti idraulici / Hydraulic components
4	Circuito idraulico atmosferico / Atmospheric plumbing circuit
5	Circuito idraulico a pressione / Pressurized plumbing circuit
6	Componenti elettrici / Electrical components
7 - 14	Lista ricambi / Spare parts list

**Marchio/ Brand: E****Paese/ Country: Tutti/ All**

Da Ser.Nr./From Ser.nr.: /839....

Page: 1 Ed.2013-11

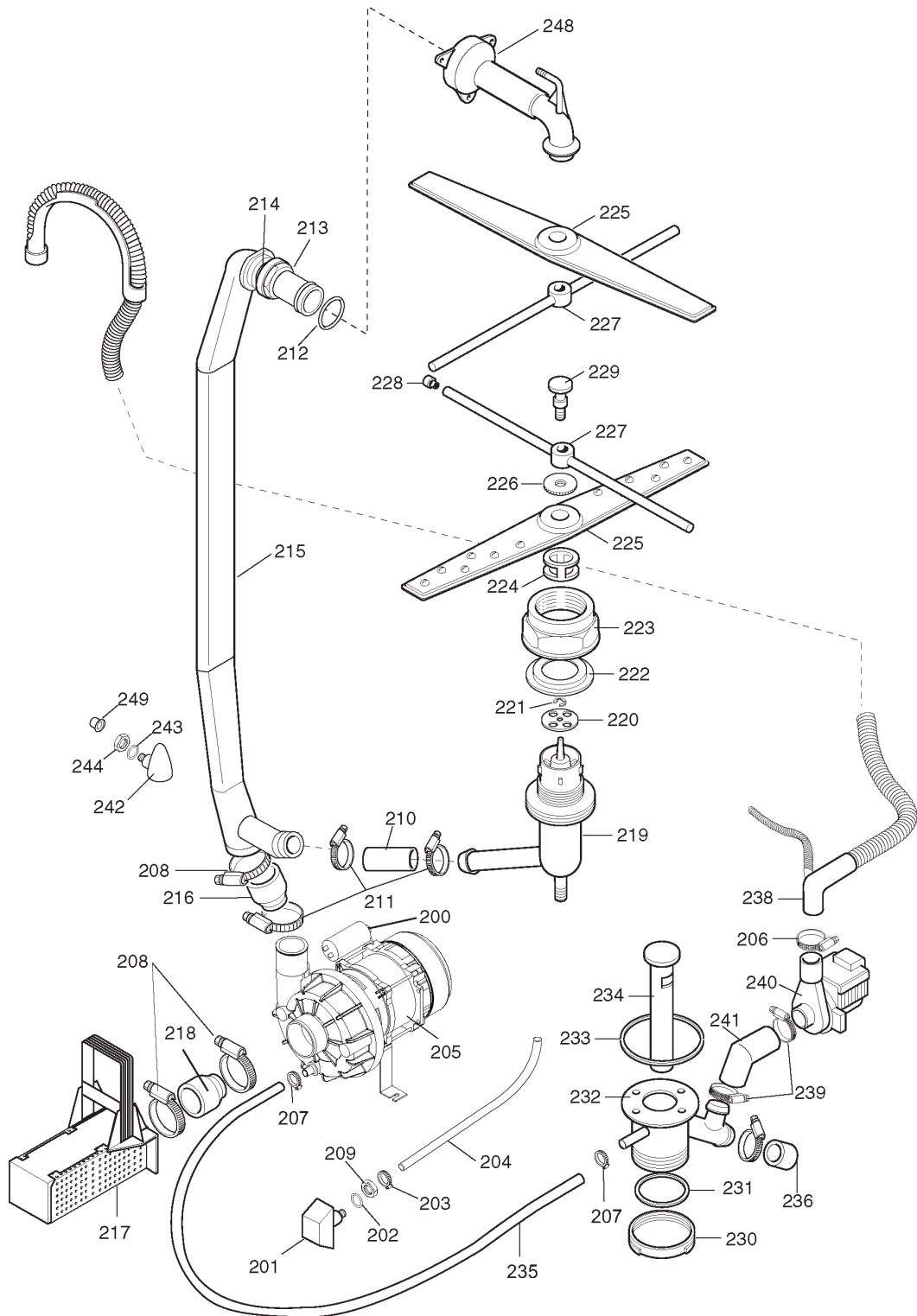
**Doc. Nr.: 595665P00**



iii. 595665P00\_p2  
 Vista generale / Main view

Da Ser.Nr./From Ser.nr.: /839....	Page: 2 Ed.2010-12	Doc. Nr.: 595665P00
-----------------------------------	--------------------	---------------------

??????	505046									
??????	595665P00	???????? 2	Main view							
.		Alias		S			.		(Euro)	
0101	048579			S				COMPLETE FOOT; H=153MM	a,b,h,i,l,c,a1,q,d,m,n,o,p,z,k,r, s,t,u,v,a2,g	17,16
0102	0L0062							RIGHT SIDE PANEL		110,72
0103	0L0063							LEFT SIDE PANEL		110,72
0104	0L1700							FRONT PANEL; ASSY; LS9		210,99
0105	048932			S				FIXING CABLE		7,10
0106	049761							BUSH		2,01
0107	0L0084			S				RUNNER		17,26
0108	0L1674							ADHESIVE MEMBRANE; WT55	a,b,d,e,f	149,31
0109	0L0066							REAR PANEL	a,b,c,e,f,h,l,i,x,y,a1	78,54
0110	049527			S				DRIP SLIDE		3,60
0111	0L0090			S	A			ABSORBER		4,09
0112	049627							MAGNET		10,31
0113	0L0057			S				SPRING		33,32
0114	049583							SPRING STRETCHER		10,48
0115	0L0099			S				SLIDING SHOE		2,73
0116	049594							SPRING SUPPORT		2,53
0118	0L1871			S	A	Kit		REED SWITCHT; KIT		20,99
0120	0L0059							BRACKET WITH BOLT		14,75
0121	0L2463							CLAMP; DIA.50-70; INOX	From Ser. Nr.: 103	5,76
0122	0L2464							BRACKET	From Ser. Nr.: 103	6,40
0131	0L0058			S				RUNNER		8,08
0132	0L0055							SUPPORT; UPPER		6,87
0133	0L0056							SUPPORT; LOWER		6,87
0134	0L0091							SCREW		4,81
0135	0L0054							HANDLE		120,08
0136	0L0053							COVERING; LS9		441,50
0138	0L0069			S				FILTER		69,56
0142	049629			S				RUNNER FOR BASKET		109,69



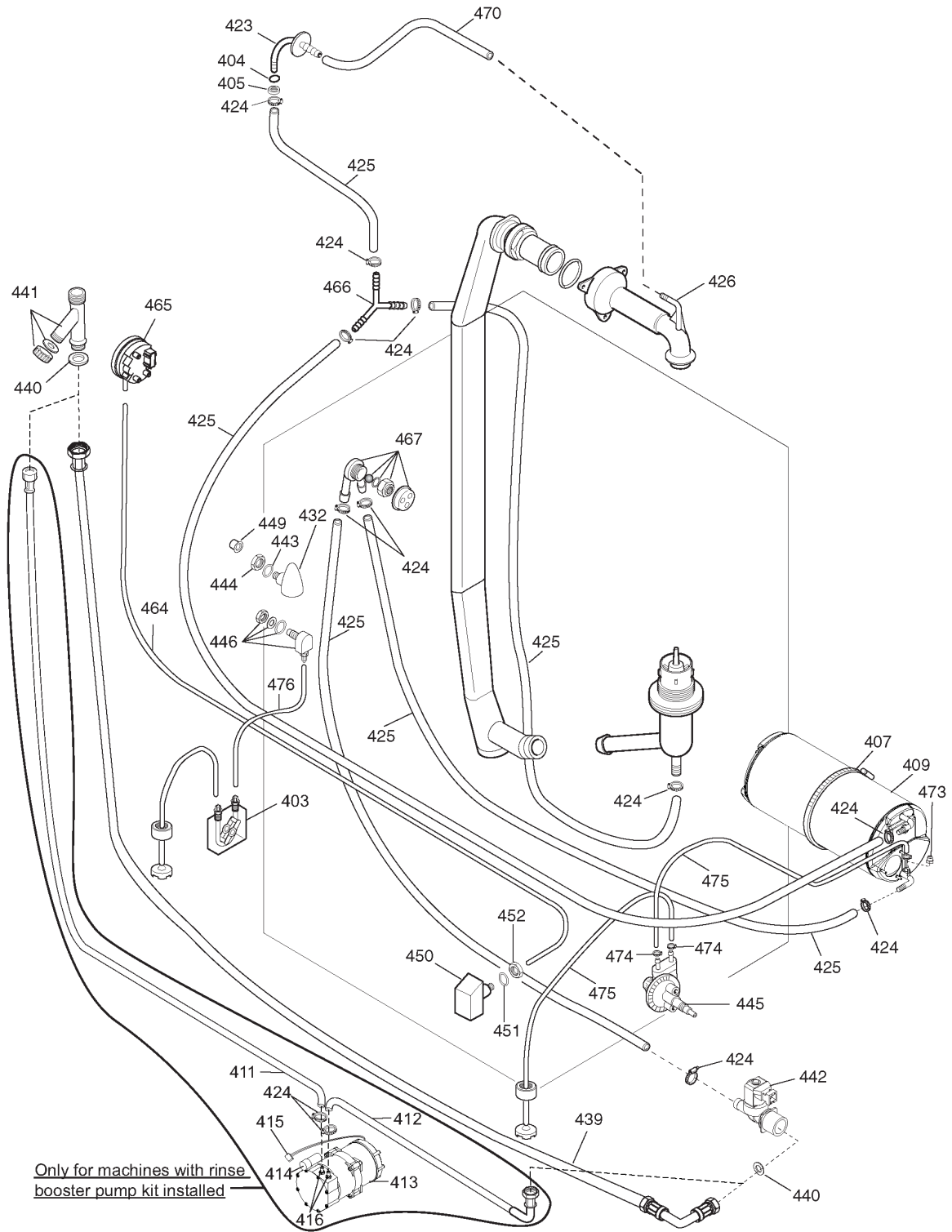
**ill. 595665P00\_p3**  
**Componenti idraulici / Hydraulic components**

Da Ser.Nr./From Ser.nr.: /839.... Page: 3      Ed.2008-09	<b>Doc. Nr.: 595665P00</b>
--	----------------------------

??????	505046									
??????	595665P00	???????? 3					Hydraulic components			
.		Alias		S			.			(Euro)
0200	0A2914						CAPACITOR; 16MF 500V	16 µF		17,90
0201	048308						AIR TRAP; FOR PRESSURE GAUGE			4,66
0202	068642						O-RING; ØI=15,54X2,62	Up to Ser. nr.: 006		1,07
0203	046946						CLAMP; 8-12/7,5			2,33
0204	048883						RUBBER HOSE; 5X12; 1PZ=2300MM			12,67
0204	049904					CGX200 8-16	PRESSURE SWITCH HOSE; L=60CM	From Ser. nr.: 007		5,43
0205	0L1914			S	A		PUMP; ZF522VSX; 230V 1PH; 50HZ	a,c,d,g,h,i,m,o,q,s,u,a1,a2 - 50 Hz		241,30
0206	047578						CLAMP; 26-38			1,89
0207	048126						CLIP; 13-20	a,b,h,i,l,c,a1,q,d,m,n,o,p,z,k,r, s,t,u,v,a2,g		1,66
0208	046853						HOSE CLAMP; 60-80/9			2,66
0209	049268						HEX NUT; M14X1,5			1,89
0210	0L0612			S			SLEEVE			7,17
0211	0L0193			S			CLMAP; 40-60/9			2,07
0212	0L0185		068799				OR; 164 3,53X60,33			
0213	0L0557			S			RING NUT; Ø MAX=96MM; H=25MM			4,15
0214	049593						O-RING; ØI=72,39X5,34 MM			1,97
0215	0L0556			S			PIPE; FOR WASHING ARMS SUPPORTS			50,86
0216	0L0068			S			JUNCTION			16,52
0217	049810						FILTER FOR PUMP			34,74
0218	0L0067			S			JUNCTION			14,56
0219	048235						SUPPORT F. LOWER JETS			42,95
0220	048820						SHUTTER			4,88
0221	048979						SNAP RING			1,49
0222	048236						GASKET			3,87
0223	048237						RING NUT; LOWER JETS SUPPORT			5,55
0224	048401					06001	HUB; FOR WASH ARM			22,39
0225	0L0598				A	CGX200 4-10	WASHING ARM ASSEMBLY			52,43
0226	048632						LOCK WASHER			9,98
0227	048716						RINSE JET	a,b,c,d,e,f,g,h,i,l,x,y,a1,a2 - Up to Ser. Nr.: 936		
0227	0L2095			S			RINSE ARMS	a,b,c,d,e,f,g,h,i,l,x,y,a1,a2 - From Ser. Nr.: 937		63,72
0228	048714					CGX200 2-09	PLUG; FOR RINSE ARM	a,b,c,d,e,f,g,h,i,l,x,y,a1,a2 - Up to Ser. Nr.: 936		1,05
0229	000000									
0230	000000									
0231	000000									
0232	000000									
0233	000000									

?????? 505046  
 ?????? 595665P00 ???????? 3 Hydraulic components

.		Alias		S		.			(Euro)
0234	000000								
0235	000000								
0236	000000								
0238	000000								
0239	000000								
0240	000000								
0241	000000								
0242	000000								
0243	000000								
0244	000000								
0248	000000								
0249	000000								



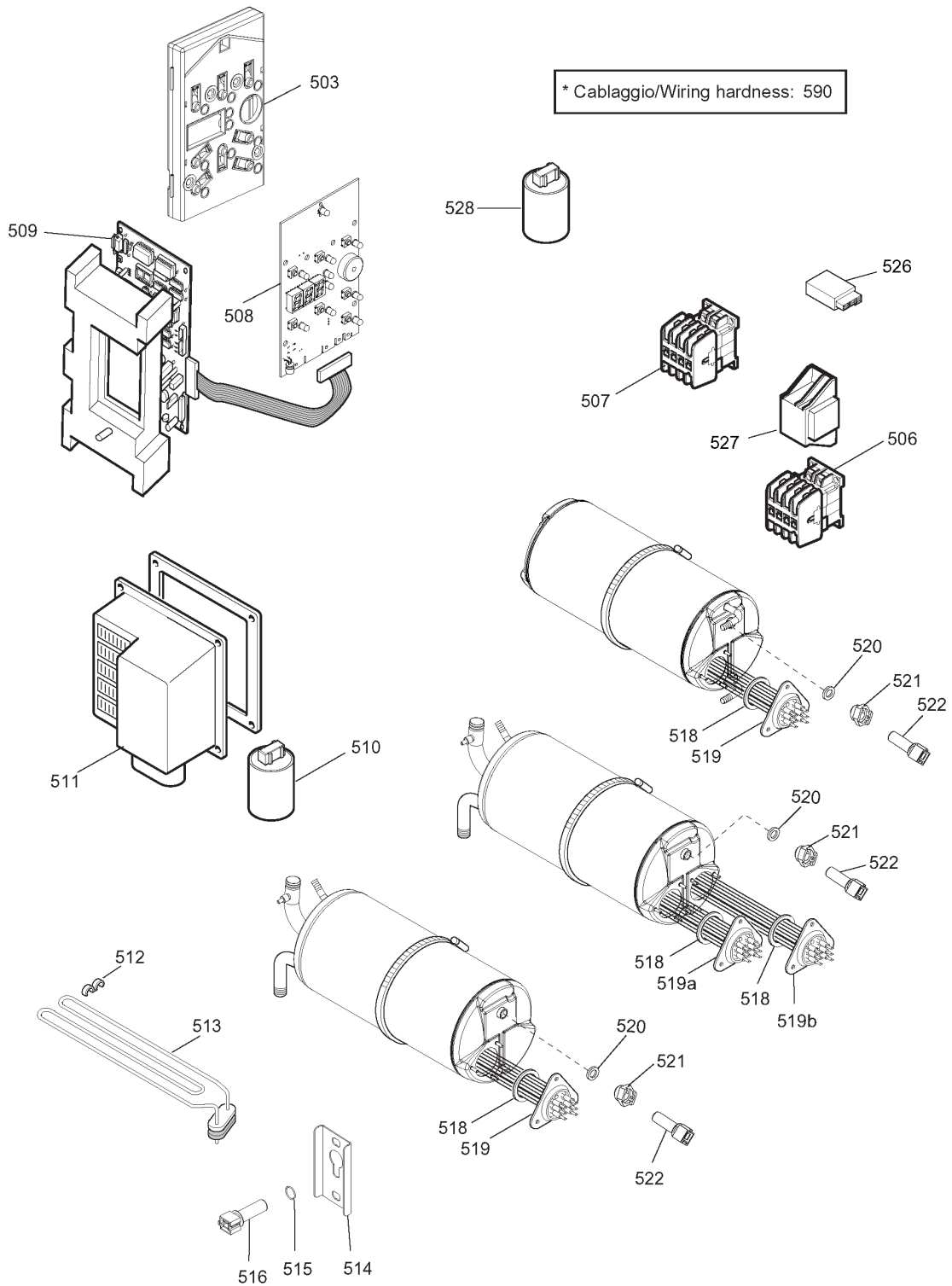
iii. 595665P00\_p5  
 Circuito idraulico a pressione / Pressurized plumbing circuit

Da Ser.Nr./From Ser.nr.: /839.... Page: 5    Ed.2010-10	Doc. Nr.: <b>595665P00</b>
--	----------------------------

??????	505046								
??????	595665P00	???????? 5					Pressurized plumbing circuit		
.		Alias		S			.		(Euro)
0404	046799						O-RING; FOR OVERFLOW PIPE		1,07
0405	049436						NUT; M20X1,5		4,06
0407	0TH122			S			CLAMP; 200-220		7,82
0409	0L0284			S	A		BOILER; AISI 304	From Ser. nr.: 018	201,58
0409	0L1908		0L0284				BOILER; ASSY; LS9/LS6	Up to Ser. nr.: 017	
0411	0L2394						FEEDER HOSE	Rinse booster pump kit	27,05
0412	0L2389						FEEDER HOSE	Rinse booster pump kit	28,62
0413	0L2391			S	A		RINSE PUMP; PS45	Rinse booster pump kit	229,78
0414	049126			S	A		CAPACITOR; 8MF	8 µF - Rinse booster pump kit	16,83
0415	0L2392				D		EL. CABLE; FOR GROUND	Rinse booster pump kit	3,48
0416	0L2390						RINSE PUMP; ASSY	Rinse booster pump kit - (pos. 413 + pos. 415 + pos. 416)	246,45
0416	0L2393						RUBBER HOLDER; 3/8"; MALE	Rinse booster pump kit	17,61
0423	0L0052						CONNECTION		24,96
0424	048126						CLIP; 13-20		1,66
0425	048531						RUBBER HOSE; ØI=12MM;ØE=19,5MM;BY METER		9,83
0426	0L0051			S			SUPPORT; UPPER JET		29,55
0432	048853						AIR CHAMBER		4,21
0439	0L1887			S			FEEDING HOSE; 2000MM		14,92
0440	0L1945			S		Kit	GASKET; SET 50PCS; DIA.26,5MM		17,03
0441	048834						STRAINER		14,31
0442	0L0566		0L3445		A		SOLENOID VALVE; TYPE 329P5; 20 L/MIN		
0443	068642						O-RING; ØI=15,54X2,62		1,07
0444	049268						HEX NUT; M14X1,5		1,89
0445	0L0094		0L4295				RINSE AID DISPENSER		
0449	049849			S			STOPPER		1,07
0450	048308						AIR TRAP; FOR PRESSURE GAUGE		4,66
0451	068642						O-RING; ØI=15,54X2,62	Up to Ser. nr.: 006	1,07
0452	049268						HEX NUT; M14X1,5		1,89
0464	048883						RUBBER HOSE; 5X12; 1PZ=2300MM		12,67
0464	049904					CGX200 8-16	PRESSURE SWITCH HOSE; L=60CM	From Ser. nr.: 007	5,43
0465	049620						PRESSURE SWITCH; CALIB.= 250/130-390		20,60
0466	048195						3-WAY FITTING; 2XØ=12MM E 1XØ=8,6MM		6,91
0467	0L1892			S			NONRETURN VALVE; HIGH TEMPERATURE		18,63
0470	049379		0L3641				HOSE; WRC, 1PC=1130MM		
0473	0L0349			S			PLUG		2,28



??????	505046								
??????	595665P00	???????? 5					Pressurized plumbing circuit		
.		Alias		S			.		(Euro)
0474	046946							CLAMP; 8-12/7,5	2,33
0475	0L0481			S				TUBE; L=2660 MM; ØE=6 MM; BLU	10,98
0476	049905		0L1163		D			HOSE; 1PC=2,66 MT	



**iii. 595665P00\_p6**  
**Componenti elettrici / Electrical components**

Da Ser.Nr./From Ser.nr.: /839....

Page: 6 Ed.2009-12

Doc. Nr.: **595665P00**

??????	505046								
??????	595665P00	???????? 6	Electrical components						
.		Alias		S			.		(Euro)
0503	0L1568		0L3876		D			USER COVERING; LS14	
0507	0L0285			S	A			CONTACTOR; 220-240V 50HZ/240-264V 60HZ	a,c,d,e,g,h,x,a1,a2 29,71
0508	0L1566		0L3876		D			USER INTERFACE BOARD; HT ACTIVE	a,b,e,f,h,i,l,c,x,y,a1,d,a2,g - Up to Ser. Nr.: 022
0508	0L1973		0L3876					USER INTERFACE BOARD; ASIA	a,b,e,f,h,i,l,c,x,y,a1,d,a2,g - From Ser. Nr.: 023
0509	0L2582			S	A			PCB; DIWAP10; 50/60HZ	a,b,c,e,f,h,i,l,x,y,a1 208,89
0510	049303							RADIO INTERFERENCE FILTER; 250V 50/60HZ	a,b,e,h,i,l,c,a1,q,m,n,o,p,r,s,t,u ,v,a2,g - Up to Ser. Nr.: 213 24,73
0511	0L0111			S				JUNCTION BOX	41,47
0512	048429							BRACKET	2,11
0513	048924		0L2340					TANK HEATING ELEMENT; 2200W 230V	a,b,h,i,l,c,a1,d,v,a2,g - Up to Ser. Nr.: 022
0513	0L2340			S	A			HEATING ELEMENT; 230V-2200W	a,b,h,i,l,c,a1,d,v,a2,g - From Ser. Nr.: 023 34,36
0514	0L0366			S				SUPPORT	3,54
0515	0L2303			S				O-RING; DIA.9,25X1,78	1,05
0516	049643							TEMPERATURE PROBE	10,25
0518	0E5037					CGX200 0-46		HEATING ELEMENT GASKET; DIA.56.52XSP 5.33	a,b,c,e,h,i,l,d,g,x,a1,a2 1,47
0519	0L2653			S	A			HEATING ELEMENT; 230V 9000W	81,29
0520	0L2303			S				O-RING; DIA.9,25X1,78	a,b,c,h,l,i,d,g,k,z,a1,a2 1,05
0521	0L0280			S	A			STUFFING BOX	a,b,c,h,l,i,d,g,k,z,a1,a2 11,84
0522	049643							TEMPERATURE PROBE	a,b,c,h,l,i,d,g,k,z,a1,a2 10,25
0528	049901							INDUCTIVE-CAPACITIVE FILTER; SINGLE PHASE	a,c,d,e,b,f,g,h,l,i,k,z,x,y,a1,a2 17,18
0590	0L2487			S				WIRING HARNESS	a,b,h,i,l,c,a1,d,a2,g 194,37
519a	000000								
519b	000000								