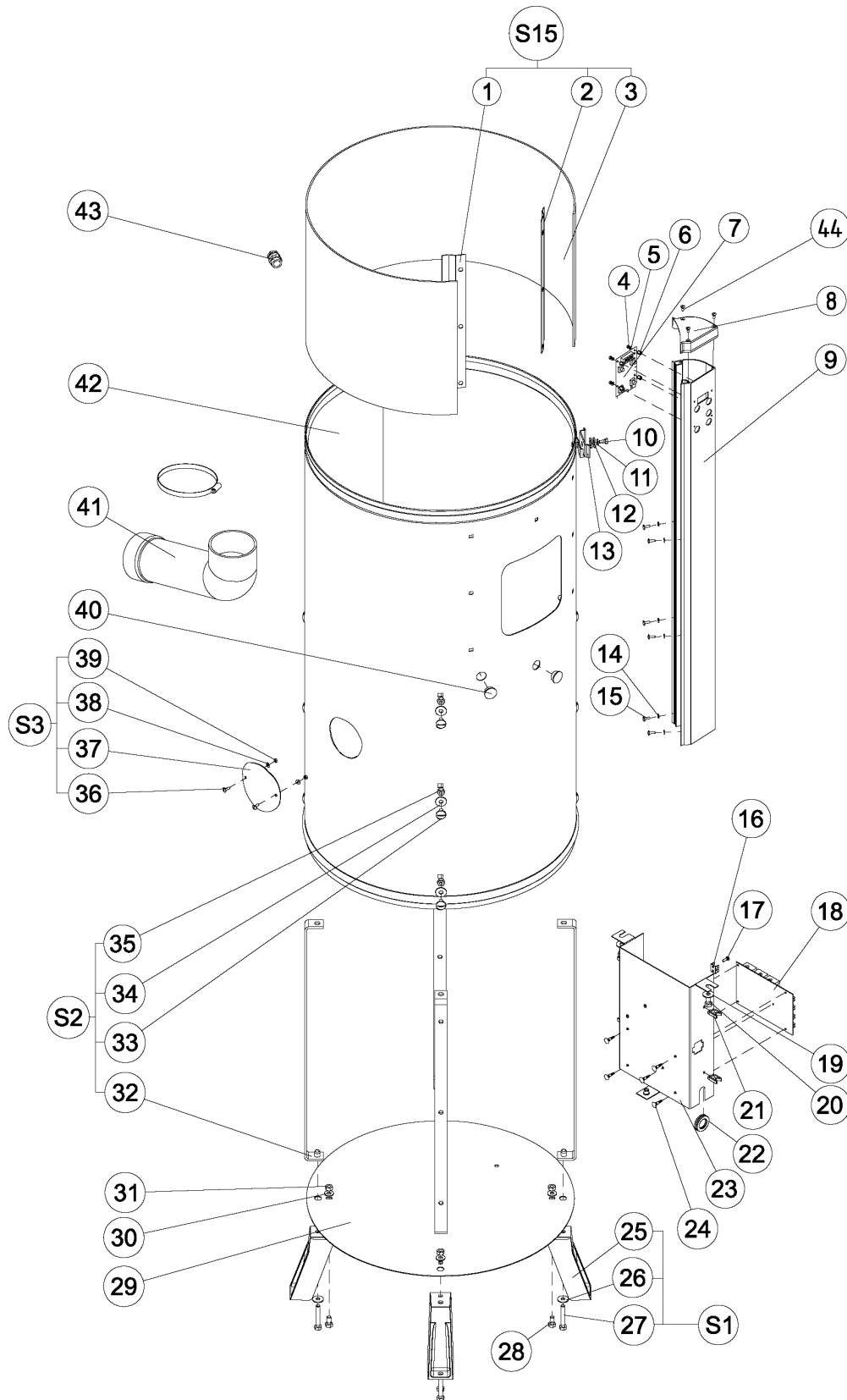


Vue éclatée carrosserie / Exploded view casing sub / Explosionszeichnung Karosserie



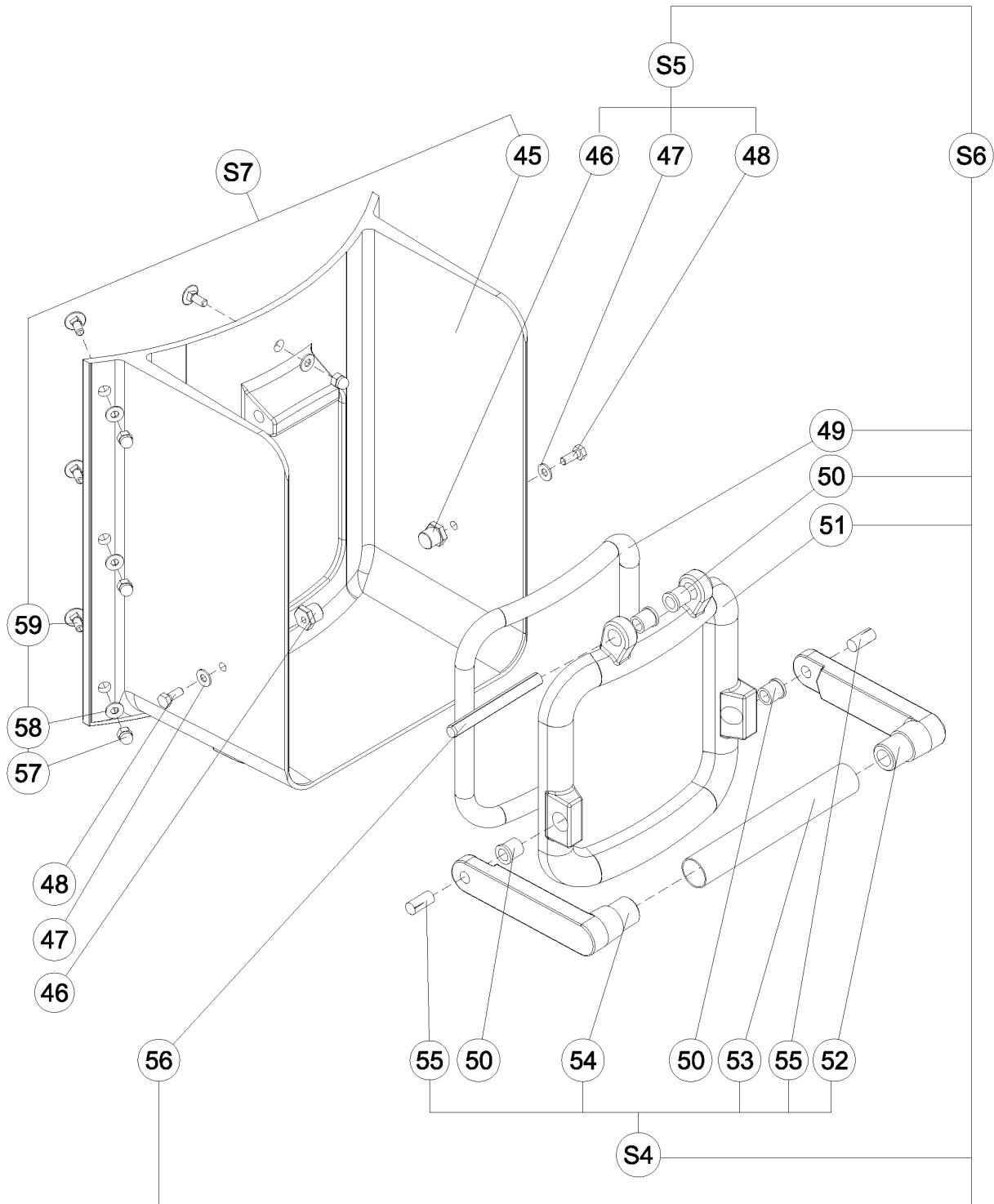
B

T25 FR 07 06

| ?????? | 602007 | | | | | | | | | |
|--------|---------|------------|--------------------------|---|---|-----|--|---|--|--------|
| ?????? | SP T25E | ???????? 2 | Exploded view casing sub | | | | | | | |
| . | | Alias | | S | | . | | | | (Euro) |
| 0001 | 000000 | 28852 | | | | | | | | |
| 0002 | 000000 | 20696 | | | | | | | | |
| 0003 | 000000 | | | | | | | | | |
| 0004 | 033987 | 21796 | | | | + | | SCREW; 10 PCS | | 18,27 |
| 0005 | 0D5188 | 31508 | | | | | | WASHER; PE M3; 10 PCS | | 21,62 |
| 0006 | 0D5190 | 31510 | | | | | | SPACER; 10 PCS | | 23,14 |
| 0007 | 0D5299 | | | S | | | | TIMER PROGRAM CARD | | 181,70 |
| 0008 | 0D5852 | 31864 | | | | | | SUPPORT; SECURITE COUVERCLE NM | | 5,29 |
| 0009 | 0D5333 | 31578 | | | | | | GUIDE; COMANDE; EQ T25E | | 255,80 |
| 0010 | 0D3587 | 30058 | | | | | | SCREW H M6X12 STL80 (SET X10) | | 18,57 |
| 0011 | 0D0624 | 21860 | | | | + | | WASHER; SET 10PCS | | 3,97 |
| 0012 | 000000 | 21858 | | | | | | | | |
| 0013 | 000000 | 31574 | | | | | | | | |
| 0013 | 000000 | 31671 | | | | | | | | |
| 0014 | 0D5137 | 30161 | | | | | | WASHER; PE 4.5*10*1; PCS 10 | | 21,21 |
| 0015 | 0D0532 | 21625 | | | | | | SCREW; 10 PCS | | 19,33 |
| 0016 | 0D3567 | 30038 | | | D | | | BRASS EARTH TERMINAL (SET X5) | | 19,22 |
| 0017 | 0D2851 | 24989 | | | | | | TAPTITE SCREW CX 4X12 ZN (SET X10) | | |
| 0018 | 0D3524 | 29595 | | S | | | | POWER CARD III ASSY PEELER | | 149,20 |
| 0018 | 0D3525 | 29596 | | S | | | | POWER CARD I ASSY PEELER | | 170,50 |
| 0019 | 0D2739 | 24642 | | | | | | WASHER CSM8 STLESS STL (SET X10) | | 27,20 |
| 0020 | 0D0498 | 21503 | | | | | | SCREW; 10 PCS | | 23,14 |
| 0021 | 0D5195 | 31516 | | | | Kit | | CLIP; F/ FIXATION CABLE; 10 PCS | | 10,29 |
| 0022 | 0D3031 | 28223 | | | D | | | GROMMET 21X26X2 (SET X 10) | | 30,75 |
| 0023 | 0D5912 | 31485 | | | D | | | SUPPORT; COMPOSANTS ELX65 | | 38,57 |
| 0024 | 0D2848 | 24949 | | | | | | PRINTED CIRCUIT FIXING SPACER (SET X6) | | 21,82 |
| 0025 | 000000 | | | | | | | | | |
| 0026 | 0D2739 | 24642 | | | | | | WASHER CSM8 STLESS STL (SET X10) | | 27,20 |
| 0027 | 0D2329 | 21878 | | | | | | SCREW H M8X30 SET X10 | | 23,24 |
| 0028 | 0D0498 | 21503 | | | | | | SCREW; 10 PCS | | 23,14 |
| 0029 | 0D2607 | 23837 | | | D | | | BASE PLATE T25E/ELX65 | | 88,71 |
| 0030 | 0D0632 | 21876 | | | | | | WASHER CS M8 (SET OF 10 PCS) | | 20,27 |
| 0031 | 0D0641 | 21904 | | | | | | LOCKNUT OF 8 | | 18,69 |
| 0032 | 000000 | | | | | | | | | |
| 0033 | 0D0517 | 21575 | | | D | | | VIS RL M8X16 INOX; 10 PCS | | 26,19 |
| 0034 | 0D2739 | 24642 | | | | | | WASHER CSM8 STLESS STL (SET X10) | | 27,20 |

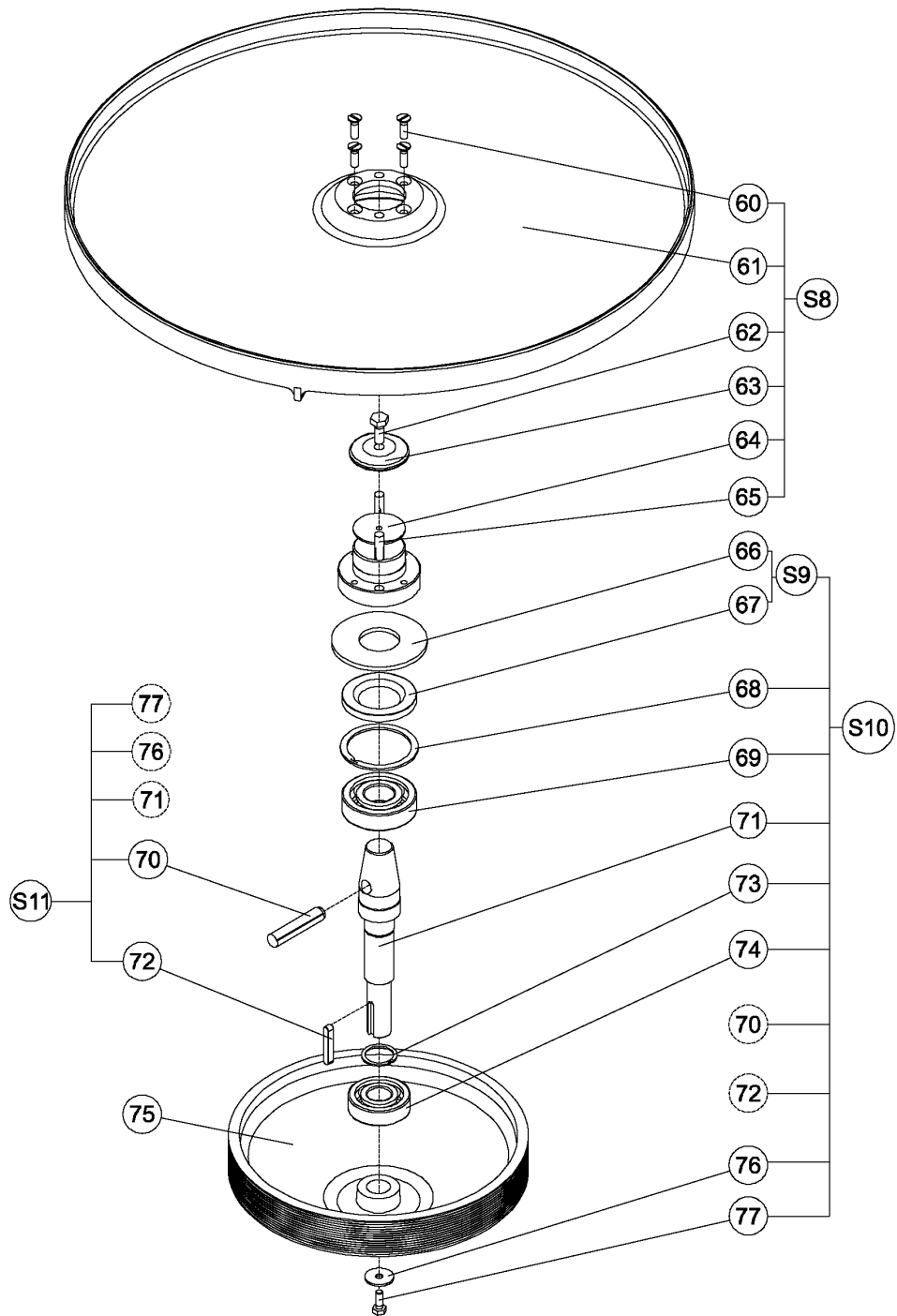
| ?????? | 602007 | | | | | | | | |
|--------|---------|------------|--|---|---|--|--------------------------|--|--------|
| ?????? | SP T25E | ???????? 2 | | | | | Exploded view casing sub | | |
| . | | Alias | | S | | | . | | (Euro) |
| 0035 | 0D0642 | 21905 | | | | | | NUT; 10 PCS | 19,85 |
| 0036 | 0D0532 | 21625 | | | | | | SCREW; 10 PCS | 19,33 |
| 0037 | 000000 | | | | | | | | |
| 0038 | 0D2284 | 21674 | | | | | + | WASHER CS L4 GALV STL8B; SET 10 PCS | 19,64 |
| 0039 | 0KL159 | 21795 | | | | | | NUT; 10 PCS | 18,37 |
| 0040 | 0D0892 | 23826 | | | D | | | PLUG; 4 PCS | 22,03 |
| 0041 | 0U0406 | 5949 | | | | | | OUTLET PIPE ASSY FOR PEELER | 51,36 |
| 0042 | 000000 | 23644 | | | | | | | |
| 0043 | 0D2073 | 17615 | | | | | | STUFFING BOX ASSY PL- CD4/8/13 | 49,13 |
| 0044 | 0D0521 | 21591 | | | | | | SCREW; 10 PCS | 19,54 |
| 00S1 | 0D0890 | 23820 | | | | | | T25E/ELX65 FOOT ASSY | 44,96 |
| 00S2 | 0U0713 | 23822 | | | D | | | ASSEMBLY CD25 | 52,17 |
| 00S3 | 0D2608 | 23842 | | | D | | | SHUTTER ASSY T10/T25E | 40,19 |
| 0S15 | 0KL089 | 23832 | | S | | | | ABRASIV STRIP ASSEMBLY | 262,90 |

**Vue éclatée porte / Exploded view door /
Explosionszeichnung Tür / Esploso Porta / Despiece Puerta**



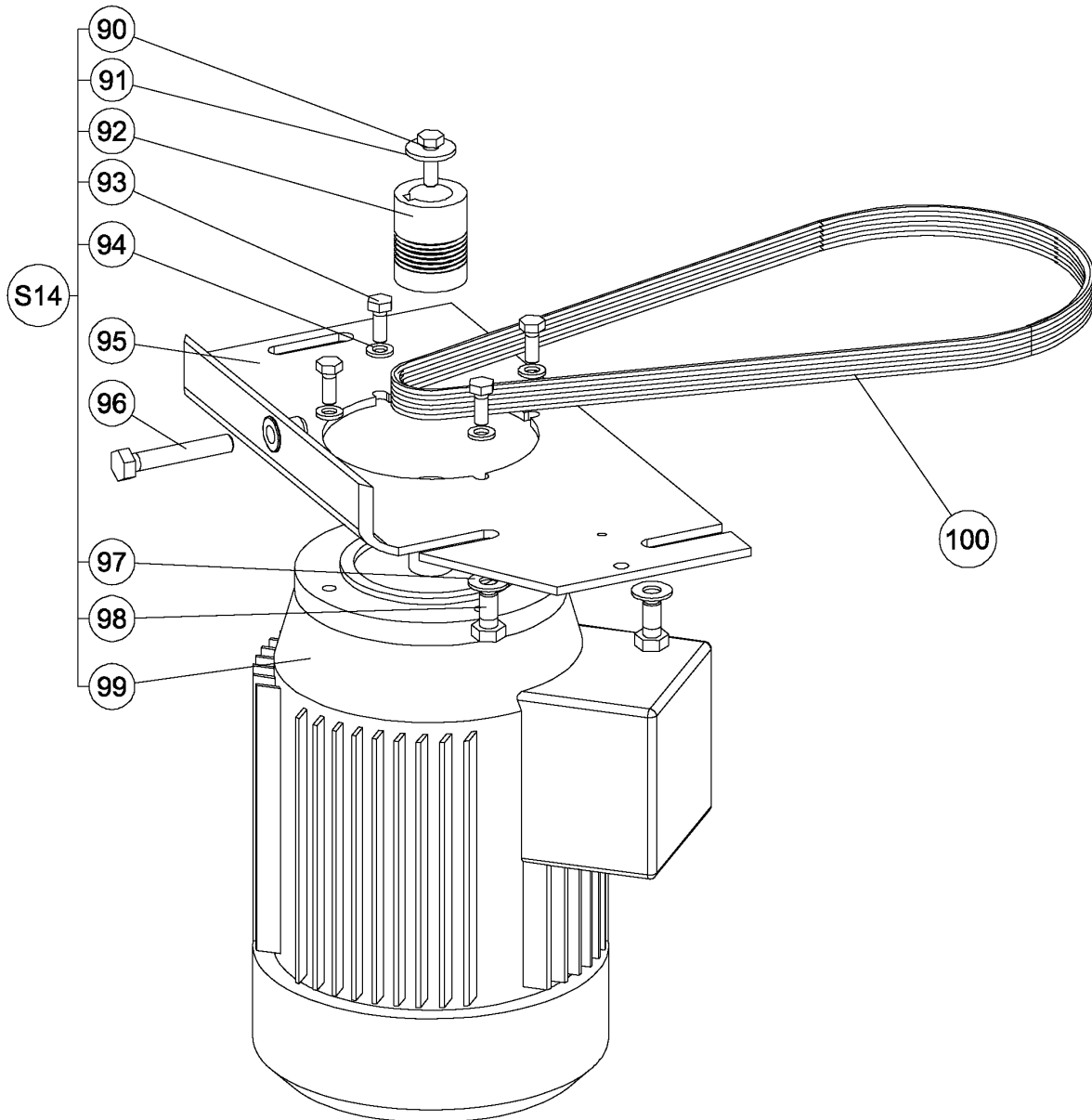
| ?????? | 602007 | | | | | | | | |
|--------|---------|------------|--|---|---|---|-----------------------------------|--|--------|
| ?????? | SP T25E | ???????? 6 | | | | | Exploded view door | | |
| . | | Alias | | S | | . | | | (Euro) |
| 0045 | 000000 | | | | | | | | |
| 0046 | 0D1605 | 17455 | | | | | PIN; KIT 2 PCS | | 31,06 |
| 0047 | 0D0624 | 21860 | | | | + | WASHER; SET 10PCS | | 3,97 |
| 0048 | 0D0499 | 21505 | | | | | SCREW; SET 10PCS; M6X16 INOX | | 20,06 |
| 0049 | 0HD027 | 7507 | | | | | DOOR GASKET | | 83,43 |
| 0050 | 000000 | 1207 | | | | | | | |
| 0051 | 000000 | | | | | | | | |
| 0052 | 000000 | | | | | | | | |
| 0053 | 000000 | | | | | | | | |
| 0054 | 000000 | | | | | | | | |
| 0055 | 0U0656 | 21597 | | | | | PIN FOR DOOR FIXING; 5 PCS | | 32,99 |
| 0056 | 0D1664 | 21943 | | | D | | COTTER PIN; 2 PCS | | 35,02 |
| 0057 | 0D0583 | 21801 | | | | | SET OF 10 PCS BLIND NUTS M6 | | 25,17 |
| 0058 | 0D0624 | 21860 | | | | + | WASHER; SET 10PCS | | 3,97 |
| 0059 | 0D2741 | 24644 | | | | | SCREW; M6X16 STLESS STL (SET X10) | | 22,74 |
| 00S4 | 0D0894 | 23828 | | | | | T25E HANDLE ASSY | | 62,22 |
| 00S5 | 0D0895 | 23829 | | | D | | T25E DOOR LOOKING PIN (JEU X2) | | 30,65 |
| 00S6 | 0D0896 | 23831 | | | D | | T25E DOOR ASSY | | 352,20 |
| 00S7 | 0D0893 | 23827 | | | D | | T25E REMOVABLE SPOUT | | 529,00 |

Vue éclatée mécanisme / Exploded view mechanical /
Explosionszeichnung Meccanismo / Esploso Meccanismo /
Despiece Mecanismo



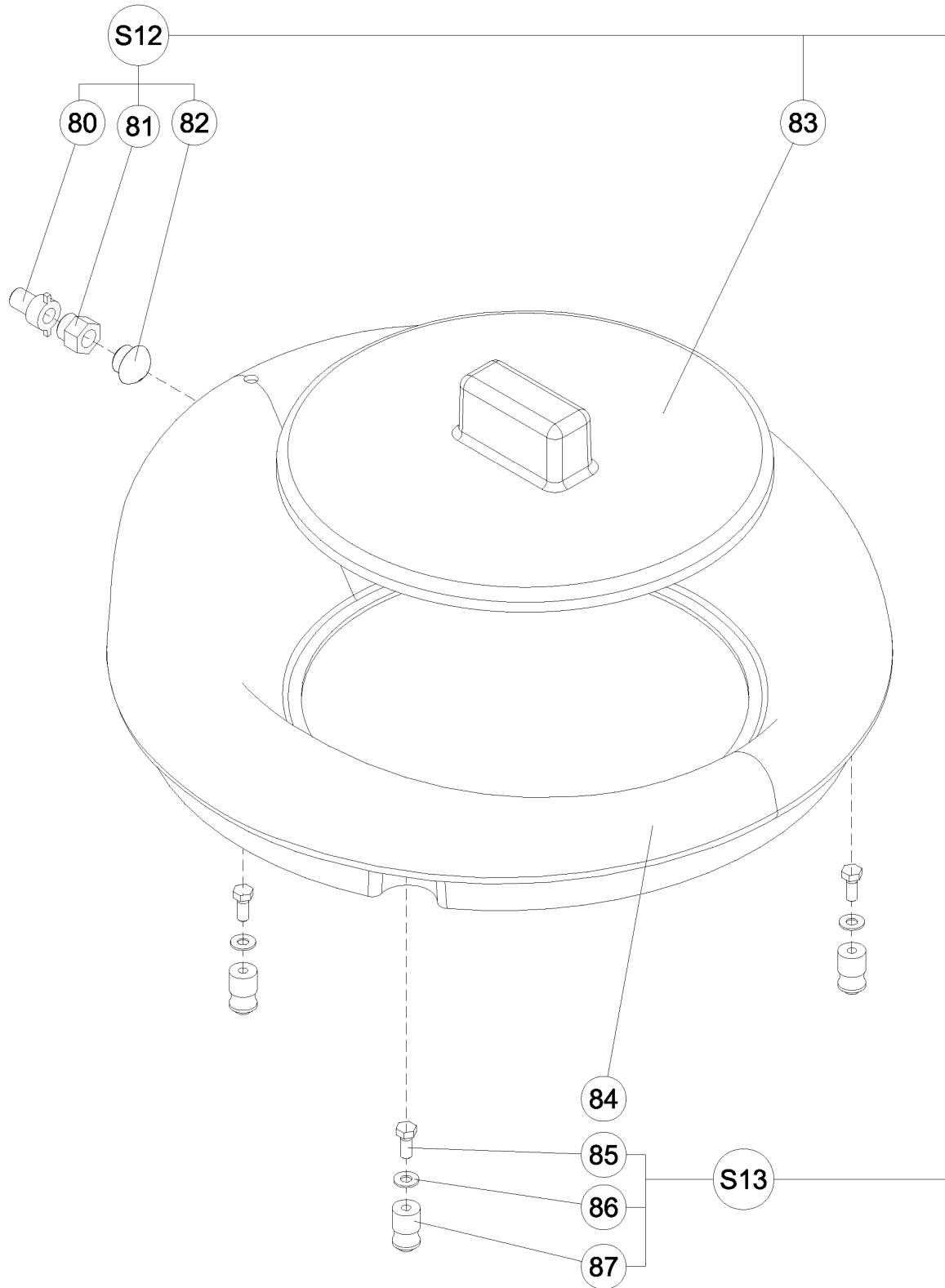
| ?????? | 602007 | | | | | | | | | |
|--------|---------|-------|------------|---|--|--|---|---|----------------------------------|--------|
| ?????? | SP T25E | | ???????? 8 | | | | | Exploded view mechanical | | |
| . | | Alias | | S | | | . | | | (Euro) |
| 0060 | 0U0659 | 21675 | | | | | | SCREW; 4 PCS | | 19,64 |
| 0061 | 000000 | | | | | | | | | |
| 0062 | 0D0507 | 21531 | | | | | | SCREW; 10 PCS | | 23,14 |
| 0063 | 0KQ664 | 1137 | | | | | | WASHER | | 8,13 |
| 0064 | 000000 | 20675 | | | | | | | | |
| 0065 | 0KI995 | 21539 | | | | | A | HINGEPIN; 10 PCS | | 38,67 |
| 0066 | 0D3560 | 30031 | | | | | | SEALING WASHER (SET X5) | | 102,50 |
| 0067 | 0D3533 | 30000 | | | | | S | LIPPED SEAL 35X62X7 (SET X5) | | 35,42 |
| 0068 | 0U0717 | 23838 | | | | | | CLIP CD25 PEELER; 10 PCS | | 27,91 |
| 0069 | 0KJ748 | 3053 | | | | | S | BALL BEARING; 6305 2RS | | 10,85 |
| 0070 | 0D0916 | 24112 | | | | | | PIN; 2 PCS | | 36,24 |
| 0071 | 0R0042 | 20673 | 0HA200 | | | | | SAFETY THERMOSTAT | | 29,94 |
| 0072 | 0D2915 | 26131 | | | | | | WEDGE A 6X6X38 (X10) | | 22,53 |
| 0073 | 0KQ499 | 21789 | | | | | S | C CLAMB; 10 PCS | | 20,40 |
| 0074 | 0KQ393 | 3051 | | | | | S | BALL BEARING; 6304 2RS | | 8,84 |
| 0075 | 000000 | 20662 | | | | | | | | |
| 0075 | 0D2431 | 22859 | 0HD017 | | | | | MACHINED DRIVEN PULLEY 60HZ T25 | | |
| 0076 | 0D0627 | 21868 | | | | | | WASHER; 10 PCS | | 20,71 |
| 0077 | 0D0499 | 21505 | | | | | | SCREW; SET 10PCS; M6X16 INOX | | 20,06 |
| 00S8 | 653506 | 20827 | | | | | | ABRASIVE PLATE FOR 25KG VEGETABLE PEELER | | 756,00 |
| 00S9 | 0U0718 | 23840 | | | | | | WATERPROOFER CD25 PEELER | | 42,33 |
| 0S10 | 0U0719 | 23841 | | | | | S | A | MECH.PLATE HOLDER CD25 PEELER | 144,10 |
| 0S11 | 0HD025 | 23839 | | | | | | SHAFT; CPL.; EQ T25E | | 109,60 |

Vue éclatée moteur / Exploded view Motor/
Explosionszeichnung Motor / Esploso Motore / Despiece Motor _____



| ?????? | 602007 | | | | | | | | |
|--------|---------|-------------|---------------------|---|---|---|--|---------------------------------------|----------|
| ?????? | SP T25E | ???????? 10 | Exploded view Motor | | | | | | |
| . | | Alias | | S | | . | | | (Euro) |
| 0090 | 0KQ512 | 21607 | | | D | | | SCREW; 10 PCS | 20,40 |
| 0091 | 000000 | 7012 | | | | | | | |
| 0092 | 000000 | 20674/1 | | | | | | | |
| 0092 | 000000 | 20674/3 | | | | | | | |
| 0092 | 0D0812 | 23227 | | | D | | | POULIE MOTRICE TRI 60HZ TI25 | 139,10 |
| 0092 | 0D2432 | 22860 | | | D | | | DRIVE PULLEY 60HZ T25 | 97,54 |
| 0093 | 0D0498 | 21503 | | | | | | SCREW; 10 PCS | 23,14 |
| 0093 | 0D0499 | 21505 | | | | | | SCREW; SET 10PCS; M6X16 INOX | 20,06 |
| 0094 | 000000 | 26015 | | | | | | | |
| 0094 | 0D0632 | 21876 | | | | | | WASHER CS M8 (SET OF 10 PCS) | 20,27 |
| 0095 | 0D5910 | 20670 | | | D | | | SUPPORT; MOTEUR T25 | 48,11 |
| 0096 | 0D3488 | 29329 | | | D | | | SCREW H M8X50 STLESS STL (SET X10) | 28,01 |
| 0097 | 0D2739 | 24642 | | | | | | WASHER CSM8 STLESS STL (SET X10) | 27,20 |
| 0098 | 0D0498 | 21503 | | | | | | SCREW; 10 PCS | 23,14 |
| 0099 | 0U0681 | 22228 | | | | | | MOTOR 3PHASE (CD25 PEELER) | 258,80 |
| 0099 | 0U0714 | 23823 | | | D | | | MOTOR 1PHASE | 983,00 |
| 0100 | 0KR268 | 5630 | | S | A | | | BELT; 864J14 | 24,87 |
| 0S14 | 0D0891 | 23824 | | | | | | T25E 3 PHASE MOTOR EQT | 261,90 |
| 0S14 | 0U0715 | 23825 | | | D | | | 1HP MOTOR EQUIPMENTCD25 PEELER | 1 077,00 |

**Vue éclatée trémie / Exploded view hopper/
Explosionszeichnung Trichter / Esploso Tramoggia/
Despiece Tolva**



L

T25 FR 12 06

| ?????? | 602007 | | | | | | | | |
|--------|---------|-------------|--|---|---|--|----------------------|---|--------|
| ?????? | SP T25E | ???????? 12 | | | | | Exploded view hopper | | |
| . | | Alias | | S | | | . | | (Euro) |
| 0080 | 0D5615 | 29611 | | | D | | | RING NUT; D12 | 8,98 |
| 0081 | 0D5613 | 29610 | | | D | | | REDUCER; MALE/FEMELLE MALE RED 15/12 | 5,29 |
| 0082 | 000000 | 20698 | | | | | | | |
| 0083 | 0D5927 | 29346 | | | | | | LID; TREMIE ROTO. T25E | 51,97 |
| 0084 | 000000 | 28853 | | | | | | | |
| 0085 | 0D0507 | 21531 | | | | | | SCREW; 10 PCS | 23,14 |
| 0086 | 0D0632 | 21876 | | | | | | WASHER CS M8 (SET OF 10 PCS) | 20,27 |
| 0087 | 000000 | 28851 | | | | | | | |
| 0S12 | 0D2606 | 23835 | | | D | | | DIFFUSER T25E | 58,06 |
| 0S13 | 0D0898 | 23836 | | | D | | | T25E HOPPER ASSY | 325,80 |