

# CABINETS MASS/GAB

PNC	En.Ch.	Model Description	Brand	Ref.	Page
110295	00/00	1-DOOR FREEZER 670L -22/-15°C, DIGIT	ZANUSSI	p	3,6,8
110296	00/00	1-GL.DOOR FREEZER 670L -20/-15°C,DIGITAL	ZANUSSI	q	5,6,8
110297	00/00	2x½-DR FREEZER 670L -22/-15°C,DIGIT	ZANUSSI	r	4,6,8
110321	00/00	1-DR FREEZER 670L -22/-15°C,DIG,S/S	ZANUSSI	s	3,6,8
110331	00/00	1-DR FREEZER 670L -22/-15°C, DIGITAL-UK	ZANUSSI	t	3,6,8
110332	00/00	2x½-DR FREEZER 670L -22/-15°C,DIGITAL-UK	ZANUSSI	u	4,6,8
110345	00/00	1-DR FREEZER 670L -22/-15°C,DIGIT,S/S-UK	ZANUSSI	v	3,6,8
110346	00/00	2x½-DR FREEZER 670L -22°C,DIGITAL,S/S-UK	ZANUSSI	w	4,6,8
<b>110387</b>	<b>00/00</b>	<b>1-GLASS DOOR 670L -15/-20°C DIG.A304 REM</b>	<b>ZANUSSI</b>	<b>e2</b>	<b>5,7,8</b>
110537	00/00	1-DOOR FREEZER 670L -22/-15°C, DIGITAL	ZANUSSI	x	3,6,8
190102	00/01	FV 1M MASS 304/304 DIG. BT -15/-22°C - UK	To brand	m	3,6,8
190406	00/00	FV 1M MASS DIG. BT -15/-22°C + WHEELS	ELUX	o	3,6,8
<b>190633</b>	<b>00/00</b>	<b>1-GL.DOOR FREEZER 670L -20/-15°C,DIGITAL</b>	<b>Zanussi</b>	<b>h2</b>	<b>5,6,8</b>
<b>190858</b>	<b>00/00</b>	<b>1-GLASS DOOR 670L -15/-20°C DIG.A304 REM</b>	<b>ALPEN</b>	<b>i2</b>	<b>5,7,8</b>
727276	00/17	FV 1M MASS 304/304 DIG. BT	To brand	a	3,6,8
727277	00/17	FV 1M MASS PV 304/304 DIG. BT	To brand	d	5,6,8
727278	00/19	FV 1M MASS 2 1/2 PORTE BT -15/+22 °C	To brand	f	4,6,8
727294	00/18	FV 1M GAB AISI 430/430 DIG. BT	To brand	b	3,6,8
727358	00/18	FV 1M MASS 304/304 DIG. BT -15/-22°C - UK	ELUX	e	3,6,8
727359	00/19	FV 1M MASS 2 1/2 PORTE BT -15/+22°C - UK	To brand	g	4,6,8
727372	00/19	FV 1M GAB AISI 430/430 DIG. BT - UK	To brand	c	3,6,8
727373	00/22	FV 1M GAB 2 1/2 PORTE BT -15/+22°C Aisi 430/430 - UK	To brand	h	4,6,8
727445	00/17	FV 1M MASS SCHIEN.A304 DIG. BT SA 50HZ	To brand	a	3,6,8
727460	00/18	FV 1M GAB A430 DIG. BT GK - UK	To brand	i	3,6,8
727461	00/18	FV 1M GAB A430 DIG. BT GK inc.sx - UK	To brand	i	3,6,8
<b>727530</b>	<b>00/00</b>	<b>1-GLASS DOOR 670L -15/-20°C DIG.A304 REM</b>	<b>ELUX</b>	<b>d2</b>	<b>5,7,8</b>
727614	00/02	FV 1M MASS 304/304 DIG. BT -15/-22 KXT	KxT	c2	3,6,8
727638	'03/03	FV 1M GAB AISI 430/430 DIG. BT	ELUX	b2	3,6,8
727640	'03/03	FV 1M MASS 304/304 DIG. BT -15/-22	ELUX	a2	3,6,8
727713	00/00	FV 1M MASS PV A304 DIG. BT -20/-15°C (R290)	To brand	n	5,6,8
<b>727714</b>	<b>00/00</b>	<b>1-GL.DOOR FREEZER 670L -20/-15°C,DIGITAL</b>	<b>ELUX</b>	<b>g2</b>	<b>5,6,8</b>

Rev: 7

Pag. 3,4,5	Index
6	Cabinet and door
7	Cooling unit assembly
8	Remote cooling unit assembly
9...12	Control panel
	Spare parts list

Indice
Armadio e porta
Gruppo refrigerante
Gruppo refrigerante remoto
Pannello comandi
Lista ricambi



Thermoregulator  
Freezer - 1M -

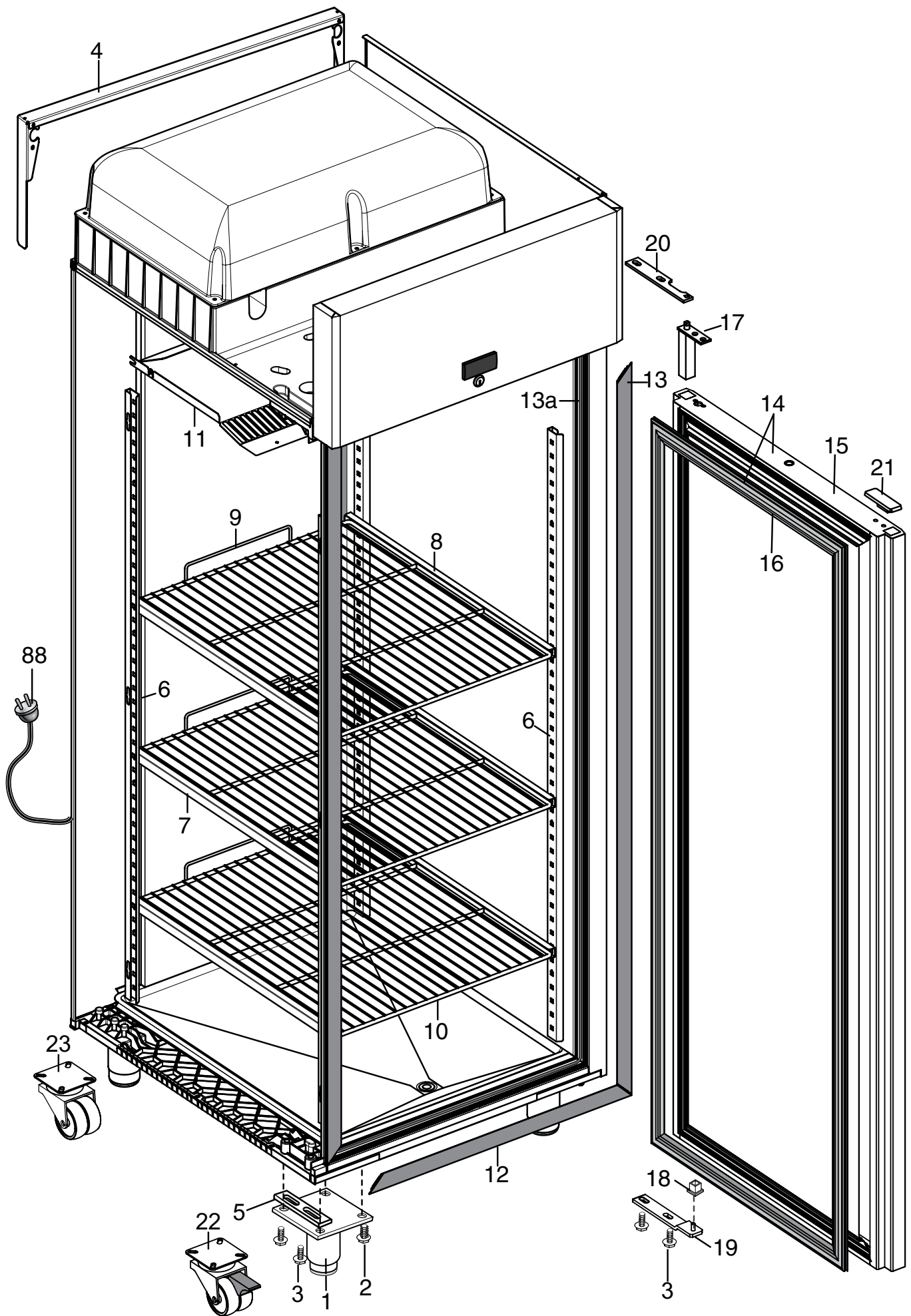
PNC	En.Ch.	Model Description	Brand	Ref.	Page
728707	00/16	FV 1M MASS 304/304 DIG. BT	DIGRIM -KIPRO	a	3,6,8
729044	00/00	1-DOOR FREEZER 670L -22/-15°C, DIGIT	ALPEN	z	3,6,8
729045	00/00	1-GL.DOOR FREEZER 670L -20/-15°C,DIGITAL	ALPEN	a1	5,6,8
729046	00/00	2x½-DR FREEZER 670L -22/-15°C,DIGIT	ALPEN	b1	4,6,8
729062	00/00	1-DR FREEZER 670L -22/-15°C,DIG,S/S	ALPEN	c1	3,6,8
729072	00/00	1-DR FREEZER 670L -22/-15°C, DIGITAL-UK	ALPEN	d1	3,6,8
729073	00/00	2x½-DR FREEZER 670L -22/-15°C,DIGITAL-UK	ALPEN	e1	4,6,8
729086	00/00	1-DR FREEZER 670L -22-15°C,DIGIT,S/S-UK	ALPEN	f1	3,6,8
729087	00/00	2x½-DR FREEZER 670L -22°C,DIGITAL,S/S-UK	ALPEN	g1	4,6,8
<b>729128</b>	<b>00/00</b>	<b>1-GLASS DOOR 670L -15/-20°C DIG.A304 REM</b>	<b>ALPEN</b>	<b>f2</b>	<b>5,7,8</b>
729130	00/00	1-DOOR FREEZER 670L -22-15°C, DIGITAL	ALPEN	h1	3,6,8
729256	00/00	1-DR FREEZER 670L -22/-15°C,DIG,S/S	To brand	n1	3,6,8
729278	00/00	1-DOOR FREEZER 670L -22-15°C, DIGIT	To brand	l1	3,6,8
729279	00/00	2x½-DR FREEZER 670L -22/-15°C,DIGIT	To brand	m1	4,6,8
729294	00/00	1-DR FREEZER 670L -22/-15°C, DIGITAL-UK	To brand	o1	3,6,8
729295	00/00	2x½-DR FREEZER 670L -22/-15°C,DIGITAL-UK	To brand	p1	4,6,8
729307	00/00	1-DR FREEZER 670L -22-15°C,DIGIT,S/S-UK	To brand	q1	3,6,8
729353	00/00	1-DOOR FREEZER 670L -22-15°C, DIGITAL	To brand	r1	3,6,8

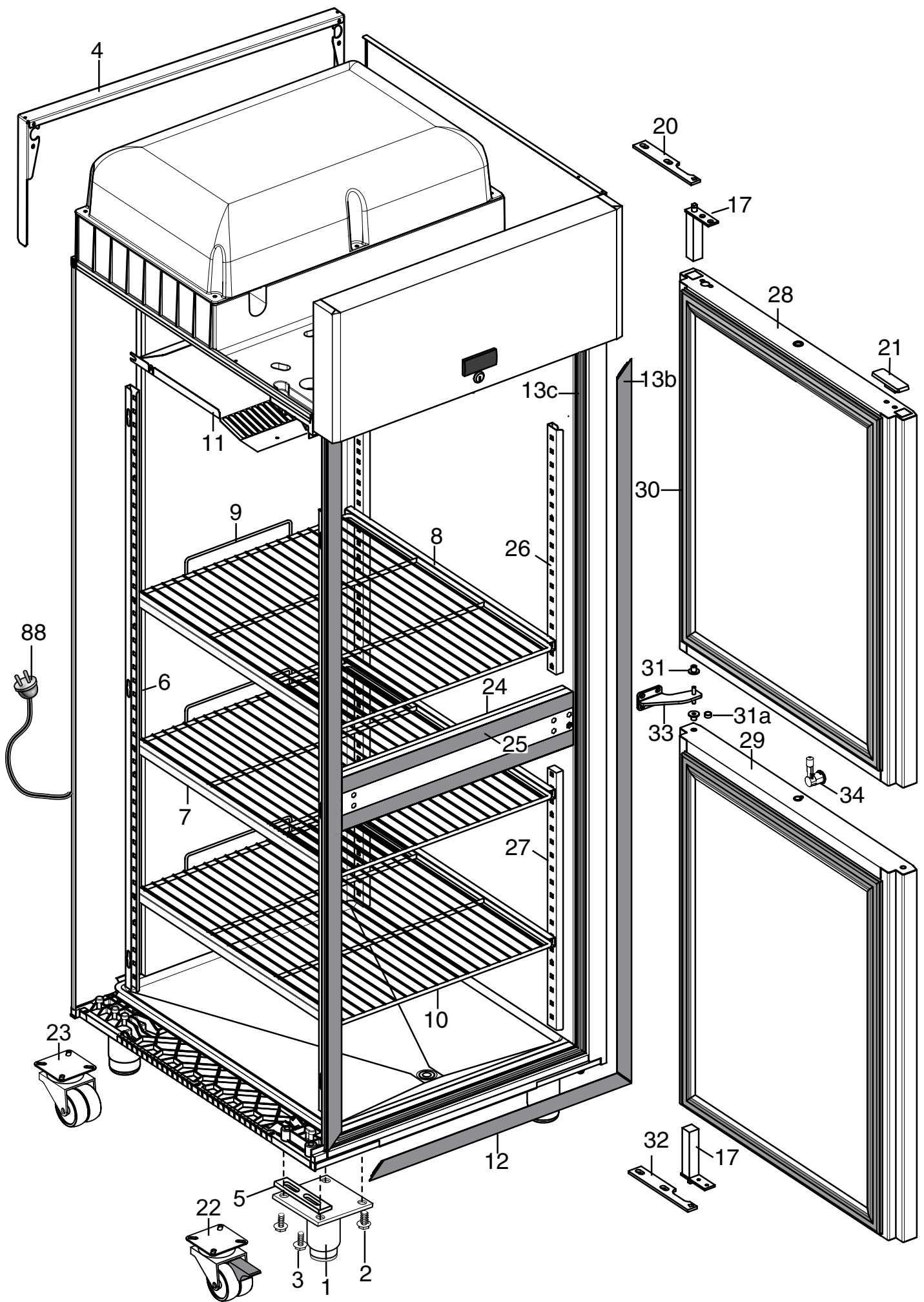
**Note:** per la corretta identificazione dei componenti, attenersi esclusivamente alle pagine indicate e alla lettera di riferimento.

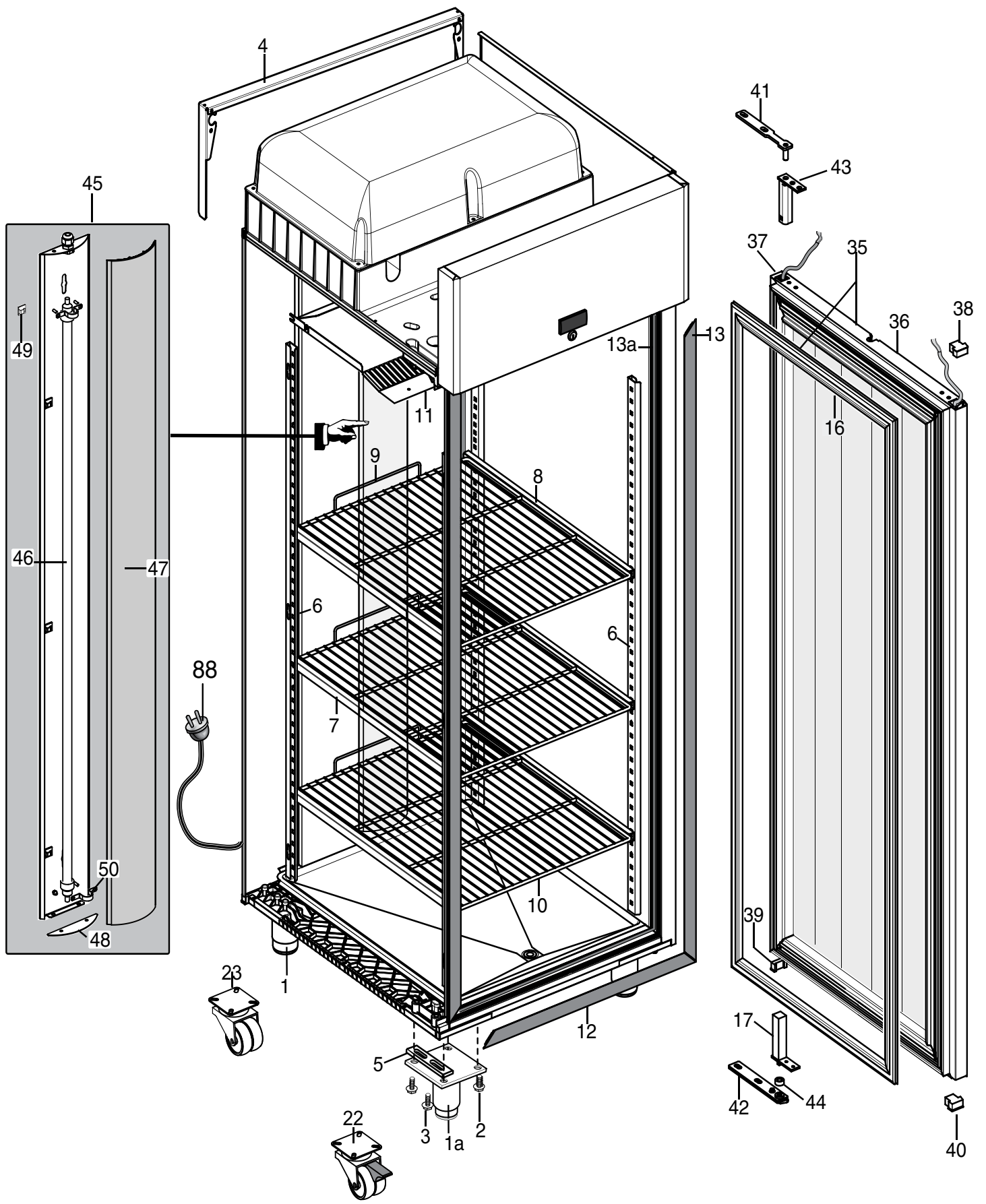
**Note:** for the correct identification of the components, follow the indicated pages and the reference letter.

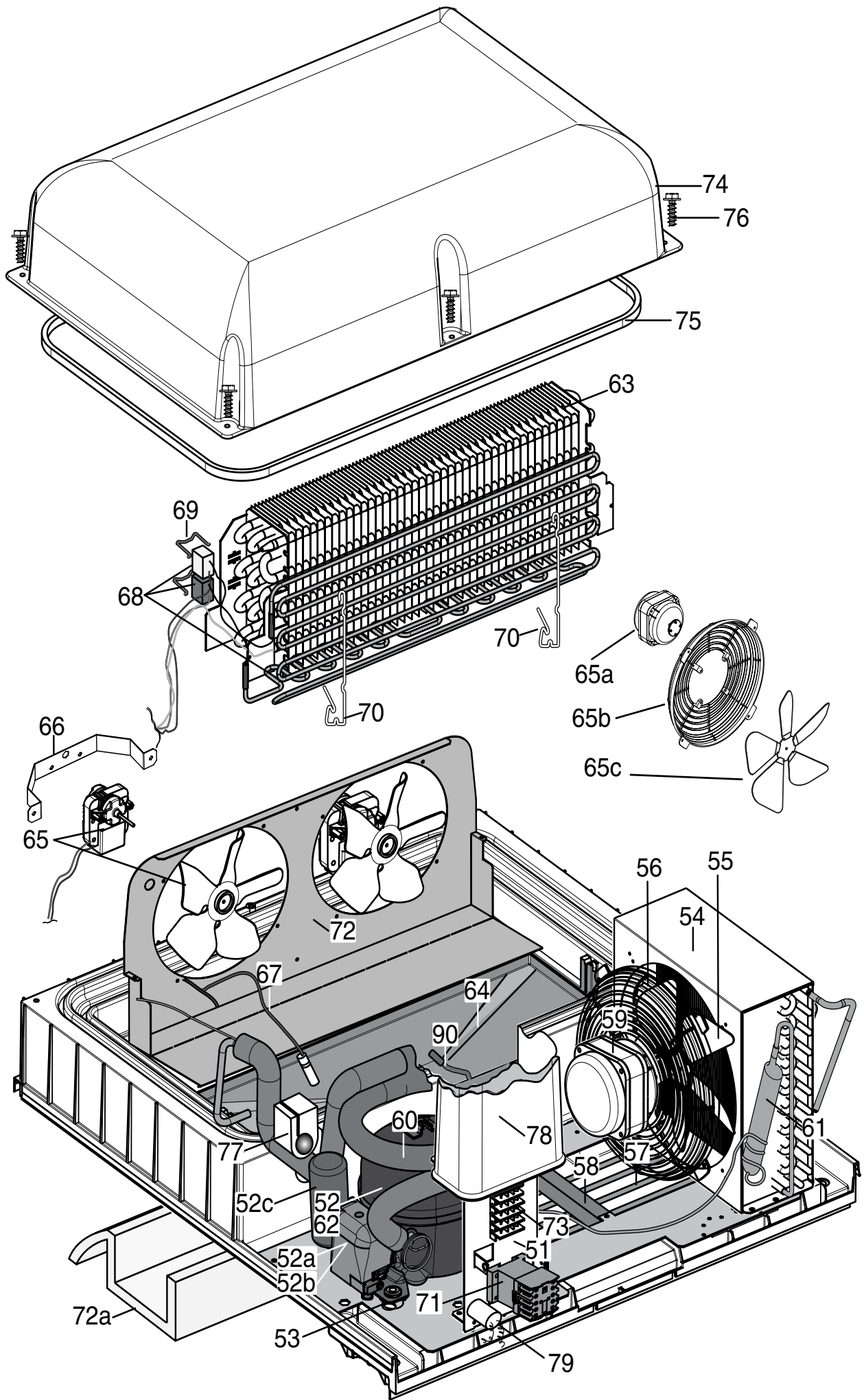
Rev: 7

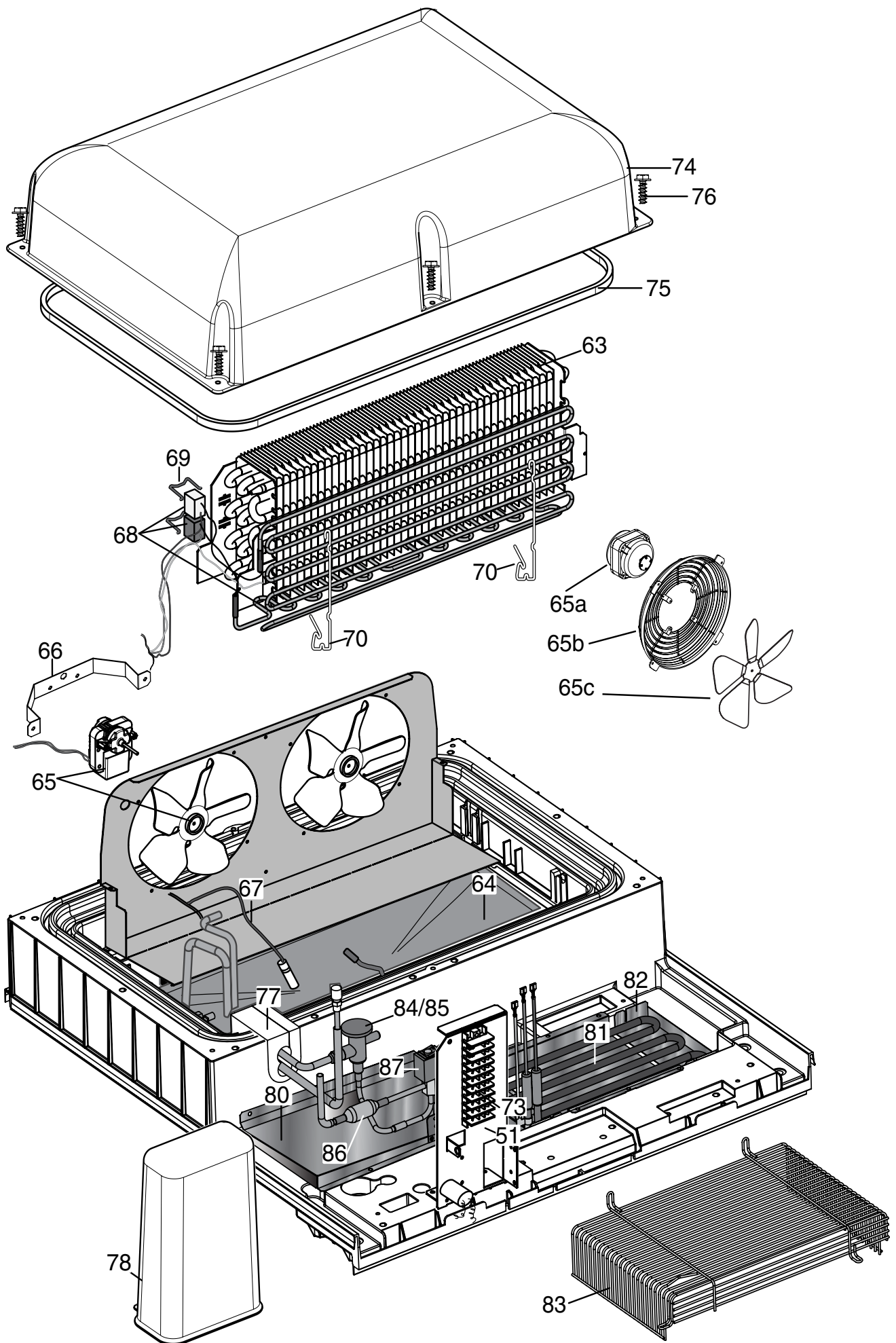
Pag. 3,4,5	Index	Indice
6	Cabinet and door	Armadio e porta
7	Cooling unit assembly	Gruppo refrigerante
8	Remote cooling unit assembly	Gruppo refrigerante remoto
9...12	Control panel	Pannello comandi
	Spare parts list	Lista ricambi

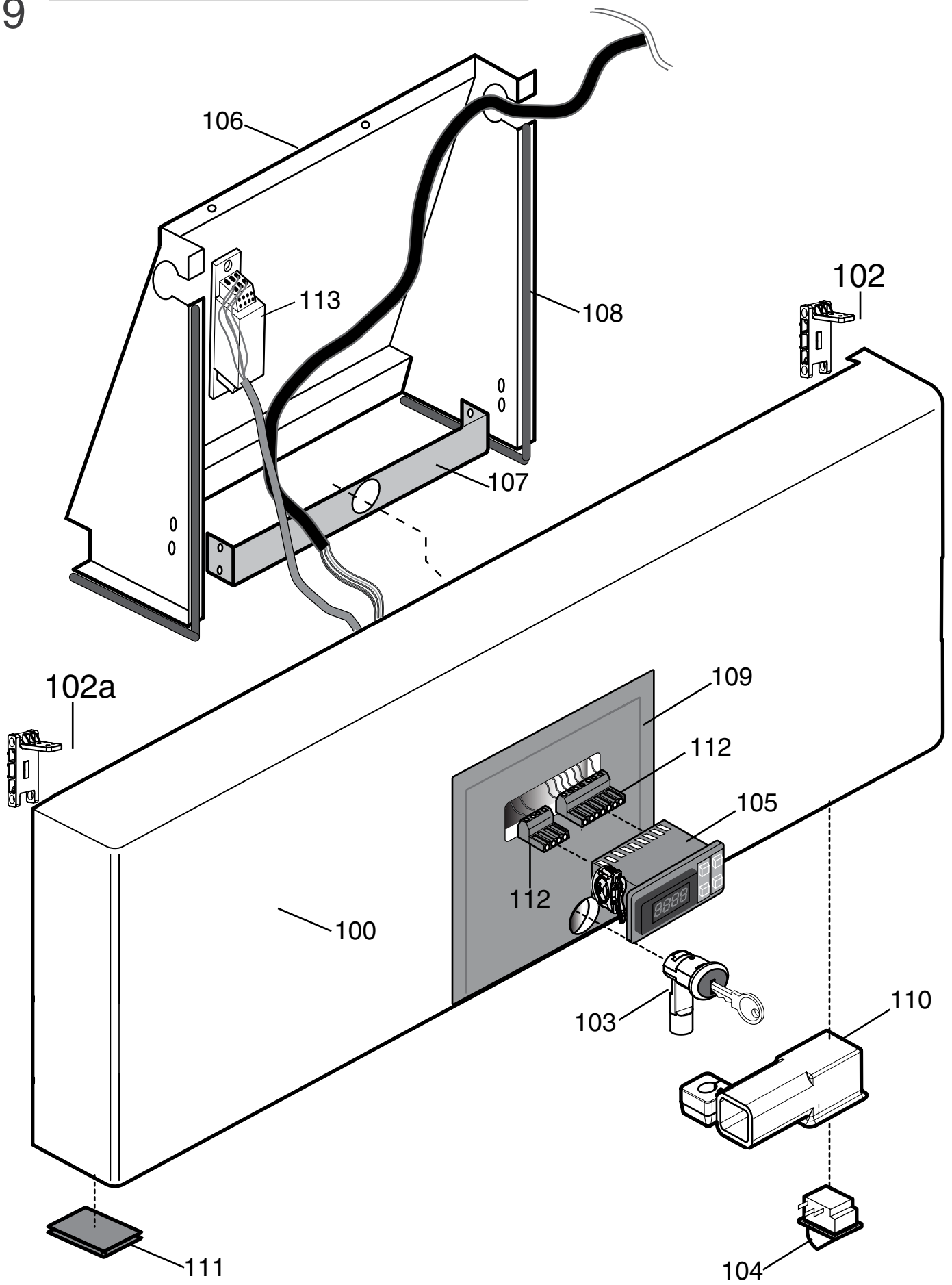














Pos	Fact/code	Alias	Descrizione	Description	Ref/Note
1	541R05001	093243	Piedino	Foot	a,b,d,f
1a	518R02600	093244	Piedino anteriore porta vetro	Back foot glass door	d,d2,e2,f2,g2,i2
2	217555204	093245	Vite per plastica per piedino	Screw ( use by fix foot)	
3	518708601	093246	Vite M8x20 per fiss. staffa sup/inf	Screw M8X20 (use by fix bracket)	
4	502R17400	093247	Staffa supporto fianchi	Side support (upper)	
5	546R22800	093248	Distanziale per piede	Foot spacer	
6	501R38201	093249	Crema glia	Rack	
7	501R47900	093250	Guida Sx	Left support	
8	501R48100	093251	Guida Dx	Right support	
9	514R10600	093252	Griglia 2/1	Grid 2/1	
10	514R12200	093253	Griglia di fondo	Bottom grid	
11	501R56500	093468	Carter interno	Internal protection	
12	832R09001	093254	Cornice orrizzontale	Orrizzontal frame	
13	832R09101	093255	Cornice verticale	Vertical frame	
13b	832R09300	093256	Cornice verticale	Vertical frame	
13a	617R06700	093330	Cavo riscaldante cornice 22W (5w/m)	Heating cable frame 22W	
13c	617R07500	093331	Cavo riscaldante cornice 28,35W (5w/m)	Heating cable frame 28,35W	
14	835R24302	093309	Porta con guarnizione aisi 304	Gasket and door	a,e,o
14	835R24402	093310	Porta con guarnizione aisi 430	Gasket and door	b,c,i
15	835R24202	093311	Porta aisi 304	Door	a,e,o
15	835R24502	093312	Porta aisi 430	Door	b,c,i
16	548R06802	093257	Guarnizione porta pv/pc	Gasket door ( gl/fl)	
17	835704001	082219	Cerniera porta	Hinge door	
18	544700601	081654	Boccola per porta	Door bush	a,b,c,i
19	833R21600	093341	Staffa inferiore porta	Lower stirrup door	a,b,c,i
20	505723802	082257	Staffa superiore porta	Upper stirrup door	a,b,c,f,g,i
21	541R05300	093271	Tappo per cerniere	Hole hinge plug	a,b,c,i
22	835R24900	093575	Ruota rotante con freno	Brake weel	c,e,g,i,o
23	835R24800	093574	Ruota rotante	Weel	c,e,g,i,o
24	880R64100	093342	Traversa per 1/2 porte a304	Support half door a304	f,g
24	880R64200	093343	Traversa per 1/2 porte a430	Support half door a430	h
25	543R09900	093272	Cornice per traversa	Support half door frame	
26	501R51800	093275	Crema glia ant. 1/2 porte superiore	Upper rack 1/2 doors	
27	501R51600	093276	Crema glia ant. 1/2 porte	Lower rack 1/2 doors	
28	835R25403	093585	Ass.1/2 porta superiore a304	Upper half door a304	f,g
28	835R27900	093586	Ass.1/2 porta superiore a430	Upper half door a430	h
29	835R25502	093519	Ass.1/2 porta inferiore a304	Lower half door a304	f,g
29	835R27801	093520	Ass.1/2 porta inferiore a430	Lower half door a430	h
30	548R07101	093273	Guarnizione magnetica 1/2 porte	Half door gasket	
31	546R21100	093392	Boccola per porta 1/2 porte	Half door bush	
31a	546R23100	093517	Boccola per cerniera 1/2 porte	Half door bush	
32	833R21900	093301	Ass. cerniera inferiore	Lower hinge assembly	
33	505R12400	093344	Cerniera centrale	Central hinge door	
34	833R21100	093433	Serratura	Serratura	
35	880R57600	093313	Ass. porta vetro	Glass door assembly	d,d2,e2,f2,g2,i2
36	879R15800	093459	Porta vetro	Glass door	d,d2,e2,f2,g2,i2
37	546R22400	093535	Tappo sup. dx pv	Upper right plug door GL	d,d2,e2,f2,g2,i2
38	546R22300	093536	Tappo sup. sx pv	Upper left plug door GL	d,d2,e2,f2,g2,i2
39	546R22500	093537	Tappo inf. dx pv	Lower right plug door GL	d,d2,e2,f2,g2,i2
40	546R22200	093538	Tappo inf. sx pv	Lower left plug door GL	d,d2,e2,f2,g2,i2
41	505R12700	093349	Cerniera superiore pv	Upper hinge GL	d,d2,e2,f2,g2,i2
42	833R21900	093301	Ass. staffa inf.( reversibile) pv	Lower bracket ( reversible)	d,d2,e2,f2,g2,i2
43	835R28100	093320	Ass cerniera sup pv	Upper hinge GL	d,d2,e2,f2,g2,i2
44	546R23100	093517	Boccola per cerniera PV	Hinge bush GL	d,d2,e2,f2,g2,i2

## Freezers

Pos	Fact/code	Alias	Descrizione	Description	Ref/Note
45	880R60700	093303	Ass. porta lampada completo	Light support assembly	d up to 2471...
45	835R26801	094484	Ass. lampada completo	Light support assembly	d,d2,e2,f2,g2,i2 from 2481...
46	661R01000	093350	Lampada 28W	Neon 28W	d,d2,e2,f2,g2,i2
47	546R22600	093258	Frontale lampada	Protection light	d,d2,e2,f2,g2,i2
48	501R49500	093351	Tappo chiusura luce	Plug of closure	d,d2,e2,f2,g2,i2
49	546R23200	093352	Ferma cavo	Wiring stopper	d,d2,e2,f2,g2,i2
50	501R50200	093321	Fermo lampada	Stopper light	d,d2,e2,f2,g2,i2
51	501R41503	093332	Supporto impianto elettrico	Electrical wiring support	
52	684R08700	093628	Compressore (NEK2168GK) 220/50 hz	Compressor (NT2168GK)220/50hz	a,b,d,f,m,p,q,s,x,z, b1,c1,h1,l1,m1,n1, r1,a2,b2,c2
52	684R05800	093422	Compressore (NT2170U) 220-240/50 hz	Compressor (NT2170U) 220-240/50hz	n,g2
52a	*	094294	Relè avviamento	Start relay	a,b,f,m,p,q,s,x,z, b1,c1,h1,l1,m1, n1,r1,a2,b2,c2
52b	*	093751	Protettore	Overheat protector	a,b,f,m,p,q,s,x,z, b1,c1,h1,l1,m1, n1,r1,a2,b2,c2
52c	648731400	099747	Condensatore di avviamento	Start capacitor	a,b,f,m,p,q,s,x,z, b1,c1,h1,l1,m1, n1,r1,a2,b2,c2
53	541714500	099872	Gommino per compressore	Rubber compressor	
54	830R04900	093333	Condensatore	Condenser	
55	511708800	089697	Ventola	Fan condenser	
56	546709500	089755	Supporto motore condensatore	Fan condenser support	
57	515R13701	093277	Serpentina evap. acqua di condensa	Evaporation water pipe	c,e,g,h,i,o
57	515R21201	095075	Serpentina evap. acqua di condensa	Evaporation water pipe	a,b,d,f,m,n
58	543R09300	093260	Fissaggio serpentina	Stopper pipe	
59	682R05300	093334	Ventilatore condensatore	Condenser ventilator	
60	858R09200	093568	Assieme scambiatore	Heat exchanger	d
60	858R06800	093462	Assieme Scambiatore	Heat exchanger	a,b,c,e,f,g,h, i,l,m,n,g2
60	858R07900	093451	Assieme Scambiatore	Heat exchanger	o
61	805729802	084078	Filtro	Dehidrator filter	
62	A02021800	0A8171	Valvola per compressore	Compressor valve (charge or disch.)	
63	830R04001	093335	Evaporatore 3R 8T	Evaporator 3R 8T	till wk 30/2015
<b>63</b>	<b>830R10600</b>	<b>094576</b>	<b>Evaporatore 3R 8T</b>	<b>Evaporator 3R 8T</b>	<b>from wk 31/2015</b>
64	546R21202	093488	Vaschetta evaporatore	Evaporator tray	
65	682R05701	093325	Ventilatore evaporatore (fime)	Evaporator fan (fime)	
65a	682R08700	094487	Ventilatore EBM IQ3612 (fime)	Evaporator fan EBM IQ3612 (fime)	n,g2
65b	514R12300	093412	Griglia EBM RILSAN	Grille EBM RILSAN	n,g2
65c	511R01100	093411	Ventola aspirante	Suction fan	n,g2
66	501R45101	093326	Staffa motore evaporatore	Fan evaporator support	
67	646R06700	092173	Sonda cella	Cell probe	
67	646R09400	092360	Sonda cella	Cell probe	n
68	617R06200	093347	Resistenza con termostati	Heating element with thermostat	
69	514R11601	093487	Molla per fissaggio termostati	Thermostat spring	
70	514R11200	093516	Molla per fissaggio resistenza 3R	Heating element spring 2R	
71	648727100	088557	Teleruttore (220-230/50 240/60)	Contactore	
	648R06300	093848	Relè 66.82.8.230.0001	Relay finder 66.82.8.230.0001	n,g2
72	501R44801	093314	Convogliatore evaporatore 2 fori	Evaporator conveyor (2 holes)	d,d2,e2,f2
72	501R71901	094168	Convogliatore evaporatore 1 foro	Evaporator conveyor (1 hole)	n,g2
72a	559R01900	093489	Coibentazione carter	Insulation evaporator carter	
73	639R09900	093528	Morsettiera	Clamp	

Pos	Fact/code	Alias	Descrizione	Description	Ref/Note
74	835R24101	093261	Assieme Calotta	Evaporator cover	Up to 6181
<b>74</b>	<b>835R47601</b>	<b>095201</b>	<b>Assieme Calotta</b>	<b>Evaporator cover</b>	<b>From 6191</b>
75	14701R003	093262	Neoprene espanso 8x13,3 nero (M4)	Gasket cover ( neoprene 8x13,3)	
76	217555204	093245	Vite senza punta x plastica	Cover screw	
<b>77</b>	<b>546R19702</b>	<b>093263</b>	<b>Tamponcino per tubi</b>	<b>Pipe cover insulation</b>	
78	541R04801	093264	Copertura impianto elettrico	Electrical cover	
79	694R00501	092257	Filtro antidisturbo	Electrical filter	
<b>80</b>	<b>501R63701</b>	<b>093607</b>	<b>Sgocciolatoio</b>	<b>Drainer</b>	<b>d2,e2,f2,i2</b>
<b>81</b>	<b>617R07902</b>	<b>093605</b>	<b>Resistenza evaporazione 100W</b>	<b>Water evaporation heating element</b>	<b>d2,e2,f2,i2</b>
<b>82</b>	<b>501R63601</b>	<b>093606</b>	<b>Bacinella evaporazione</b>	<b>Water condensation basin</b>	<b>d2,e2,f2,i2</b>
<b>83</b>	<b>514R13101</b>	<b>093604</b>	<b>Griglia protezione resistenza</b>	<b>Protection grid</b>	<b>d2,e2,f2,i2</b>
<b>84</b>	<b>646741000</b>	<b>087334</b>	<b>Valvola termostatica R404A</b>	<b>Thermostatic valve R404A</b>	<b>d2,e2,f2</b>
<b>84</b>	<b>646R13900</b>	<b>095541</b>	<b>Valvola termostatica R449A</b>	<b>Thermostatic valve R449A</b>	<b>i2</b>
<b>85</b>	<b>565717600</b>	<b>089614</b>	<b>Isolante per valvola</b>	<b>Valve insulation</b>	<b>d2,e2,f2,i2</b>
<b>86</b>	<b>525719000</b>	<b>090229</b>	<b>Filtro meccanico a rete</b>	<b>Filter</b>	<b>d2,e2,f2,i2</b>
<b>87</b>	<b>646R10502</b>	<b>094435</b>	<b>Valvola solenoide</b>	<b>Solenoid valve</b>	<b>d2,e2,f2,i2</b>
<b>88</b>	<b>638700602</b>	<b>099991</b>	<b>Cavo di alimentazione SCHUKO</b>	<b>Power supply cable</b>	<b>a,b,f,p,r,s,z b1,c1,h1,l1, m1,n1,r1, a2,b2,c2,h2 n,q,a1,g2</b>
<b>88</b>	<b>A02060702</b>	<b>094423</b>	<b>Cavo di alimentazione SCHUKO</b>	<b>Power supply cable</b>	<b>n,q,a1,g2</b>
90	617R07800	093415	Resistenza scarico condensa	Drain heater	
99	880R50104	093304	Cruscotto completo aisi 304	Panel control complete aisi 304	a,e,f,g
99	880R50202	093521	Cruscotto completo aisi 430	Panel control complete aisi 430	b,c
99	880R50704	093306	Cruscotto completo aisi 430	Panel control complete aisi 430	h,i
99	880R58500	093307	Cruscotto completo aisi 430 PV	Panel control complete aisi 430	d,d2,e2,f2
100	509R12603	093265	Cruscotto comandi	Panel 304 AISI	a,e,f,g,g2
100	509R12703	093266	Cruscotto comandi	Panel 430 AISI	b,c,h,i,o
102	832R10100	093609	Cerniera per cruscotto dx	Hinge for panel	
102a	832R10200	093610	Cerniera per cruscotto sx	Hinge for panel	
103	833R20900	093345	Serratura	Latch	
104	640712100	087485	Micro porta	Switch	
105	646R10802	093328	Termoregolatore ir33 Gab/mass pc	Thermoregulator Gab /mass	a,b,c,e,f,g,h,i, to be set Till week 48/2013
105	646R10803	093532	Termoregolatore ir33 Gab/mass atex	Thermoregulator Gab /mass atex	a,b,c,e,f,g,h,i,o to be set From week 49/2013
105	646R11000	093329	Termoregolatore ir33 Gab/mass pv	Thermoregulator Gab /mass	d w To be set
106	501R37401	093295	Protezione	Protection	
107	501R37501	093354	Staffa per protezione	Support fro protection	
108	140088006	0L0113	Guarnizione	Gasket	
109	755R03901	093268	Membrana	Membrane	Up to 7381
109	598R81500	095022	Membrana Zanussi	Zanussi membrane products	For Zanussi
109	598R81600	095023	Membrana Electrolux	Electrolux membrane	From 7391 For Elux and To brand products
109	598R81700	095024	Membrana neutra	Neutral membrane	For Alpen prod.
109	755R09300	*	Membrana KXT	KXT membrane	c2
110	546R12100	092353	Protezione micro porta	Swichth door protection	d
111	541R05400	093269	Tappo per cerniera porta	Door hinge plug	
112	639R06800	*	Connettore dritto 3 vie	Connector 3 ways right	
112	639R06900	*	Connettore dritto 7 vie	Connector 7 ways right	
112	099740		Connettore 90° 7 vie	Connector 7 ways 90°	
112	099741		Connettore 90° 5 vie	Connector 5 ways 90°	
112	088998		Connettore 90° 3 vie	Connector 3 ways 90°	

## Freezers

Pos	Fact/code	Alias	Descrizione	Description	Ref/Note
112	099743		Connettore 90° 3 vie piccolo	Connector 3 ways 90° small	
112	099742		Connettore 90° 2 vie	Connector 2 ways 90°	
112	091682		Connettore 90° 4 vie	Connector 4 ways 90°	
112	091684		Connettore 90° 5 vie	Connector 5 ways 90°	
*	639R09600	093180	Convertitore spina UK	UK plug converter	e,c,g,h,i
113	624R01400	093270	Alimentatore	Light power	d,d2,e2,f2,g2,i2