

1400 LT DUAL TEMPERATURE FULL AND HALF DOORS

| PNC | AVV | Model | Ref. | Page | Brand |
|--------|-----|--|------|---------|------------|
| 110768 | 21 | Dual temperature 1400lt -2/+10 and -24/-15 °C full door | A | 2,5,6,7 | ZANUSSI |
| 728429 | 23 | Dual temperature 1400lt -2/+10 and -24/-15 °C full door | B | 2,5,6,7 | ELECTROLUX |
| 728480 | 20 | Dual temperature 1400lt -2/+10 and -24/-15 °C full door | C | 2,5,6,7 | ALPENINOX |
| 110767 | 18 | Dual temperature 1400lt -2/+10 and -2/+10 °C full door | D | 2,5,7 | ZANUSSI |
| 110769 | 18 | Dual temperature 1400lt -2/+10 and -6 /+6 °C three doors | E | 3,4,5,7 | ZANUSSI |
| 110770 | 20 | Dual temperature 1400lt -2/+10 and -24 /-15 °C three doors | F | 3,5,6,7 | ZANUSSI |
| 728428 | 21 | Dual temperature 1400lt -2/+10 and -2/+10 °C full door | G | 2,5,7 | ELECTROLUX |
| 728430 | 21 | Dual temperature 1400lt -2/+10 and -6 /+6 °C three doors | H | 3,4,5,7 | ELECTROLUX |
| 728431 | 10 | Dual temperature 1400lt -2/+10 and -24 /-15 °C three doors | I | 3,5,6,7 | ELECTROLUX |
| 728479 | 18 | Dual temperature 1400lt -2/+10 and -2/+10 °C full door | L | 2,5,7 | ALPENINOX |
| 728481 | 18 | Dual temperature 1400lt -2/+10 and -6 /+6 °C three doors | M | 3,4,5,7 | ALPENINOX |
| 728482 | 08 | Dual temperature 1400lt -2/+10 and -24 /-15 °C three doors | N | 3,5,6,7 | ALPENINOX |

last Up date

probe cell and evaporator

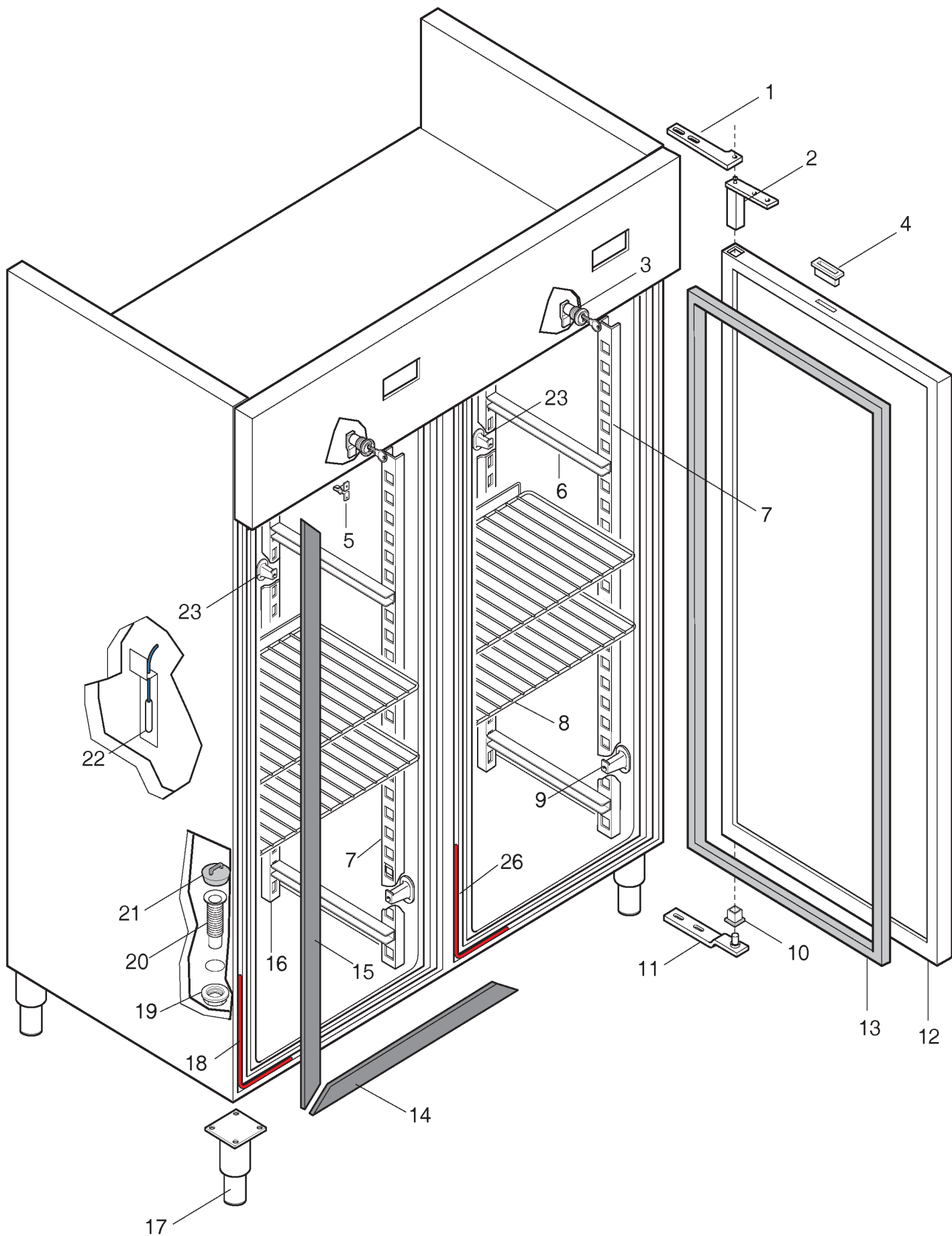
| Pag. | Index | Indice |
|-----------|--------------------------|---------------------------------|
| 2 | Cabinet and door | Armadio e porta |
| 3 | Cabinet and door half | Armadio e porta (1/2) |
| 4 | Cooling unit (-6/+6°C) | Gruppo refrigerante (-6/+6°C) |
| 5 | Cooling unit (-2 /+10°C) | Gruppo refrigerante (-2/+10°C) |
| 6 | Cooling unit (-24/-15°C) | Gruppo refrigerante (-24/-15°C) |
| 7 | Control panel | Pannello comandi |
| 8-9-10-11 | Spare parts list | Lista ricambi |

Brand/Marchio: Z - E - A

Factory code: 07

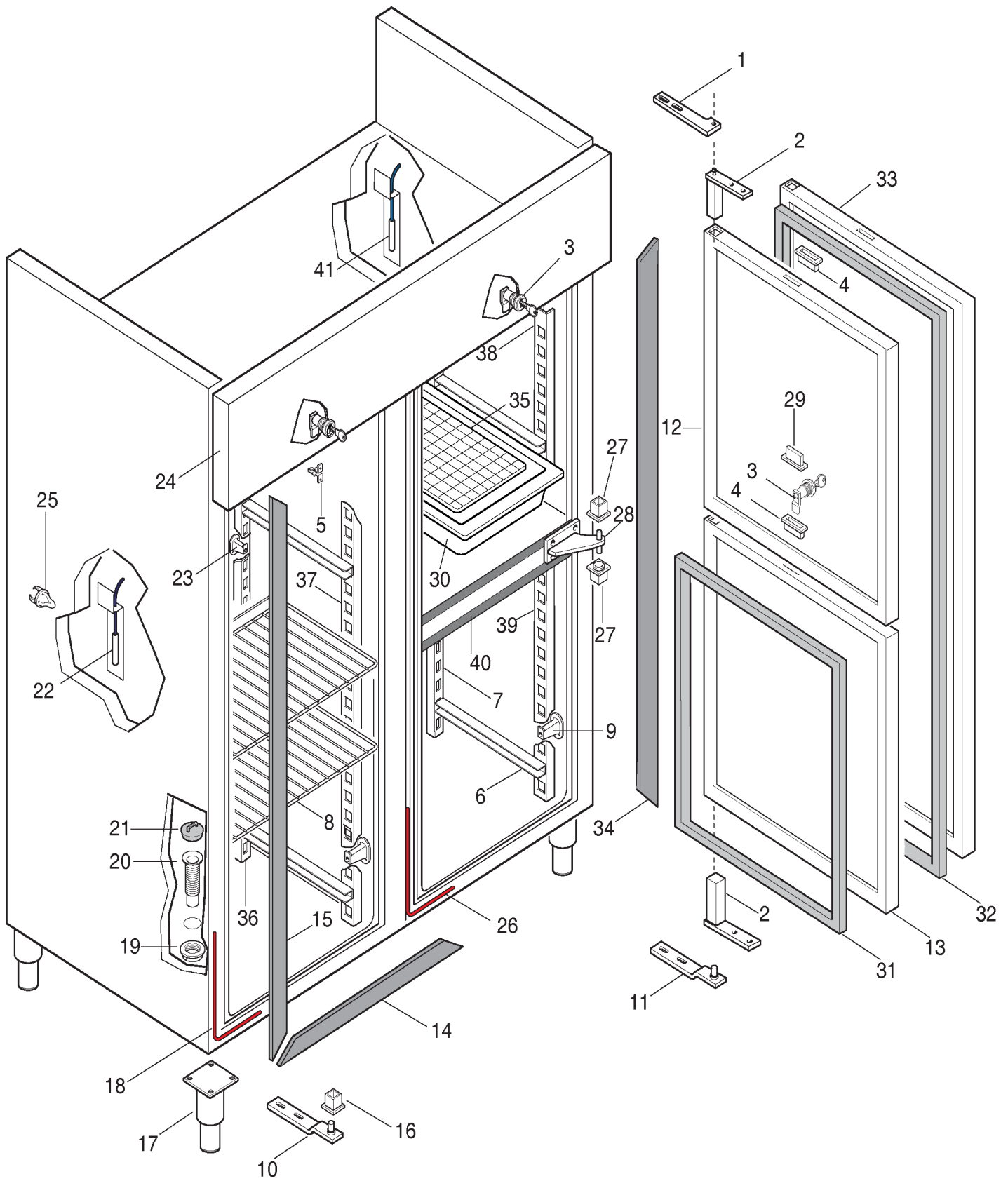
Da Ser. Nr. / From ser. nr.: **UNTIL 939000..**

Ed. **10-03**



700+700 L - DUAL TEMPERATURE CABINET
FRIGORIFERI A DUE TEMPERATURE DA 700+700 LT

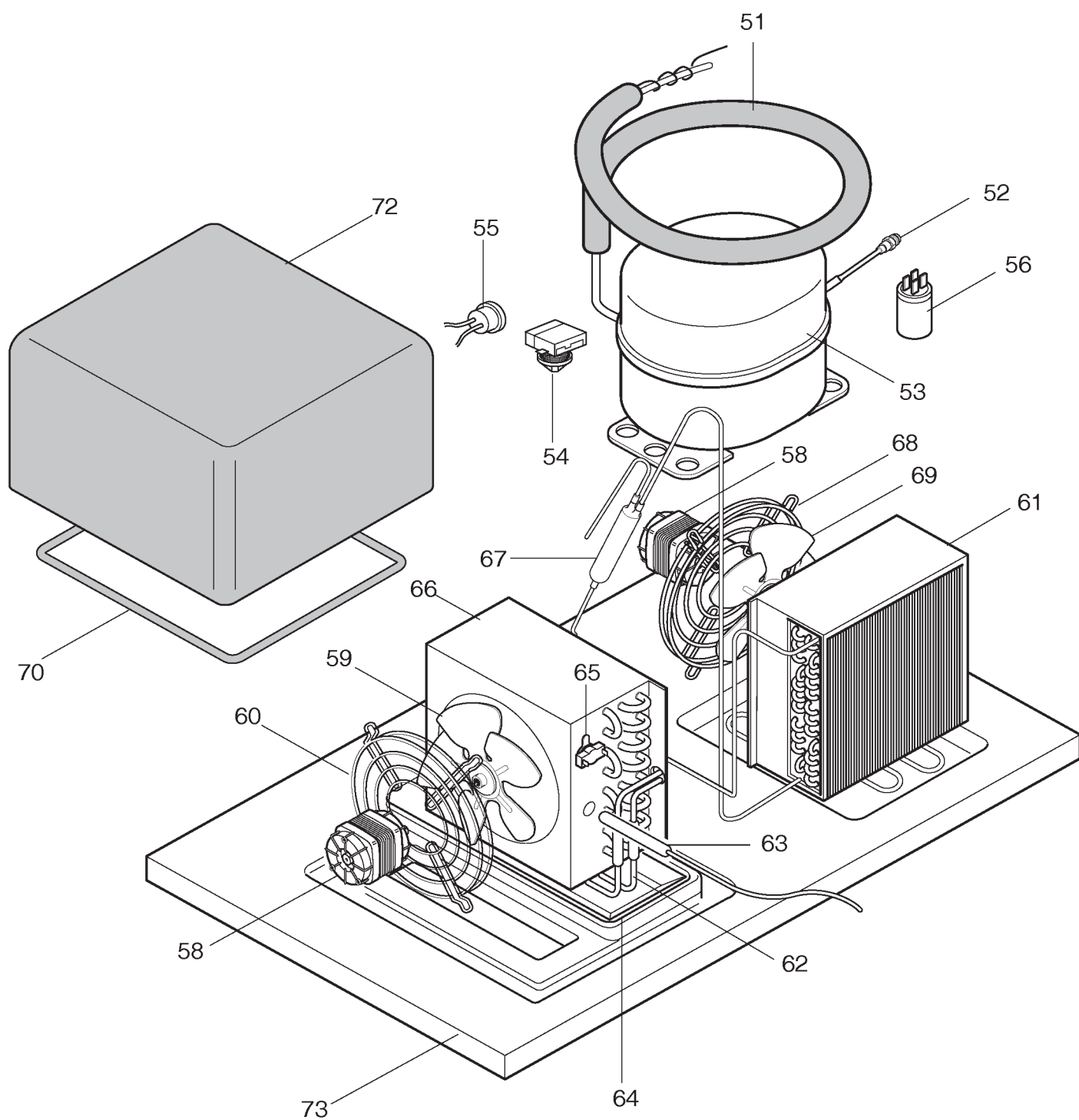
Da Ser. Nr. / From ser. nr.:.....



700+700 L - DUAL TEMPERATURE CABINET
 FRIGORIFERI A DUE TEMPERATURE DA 650+650 LT

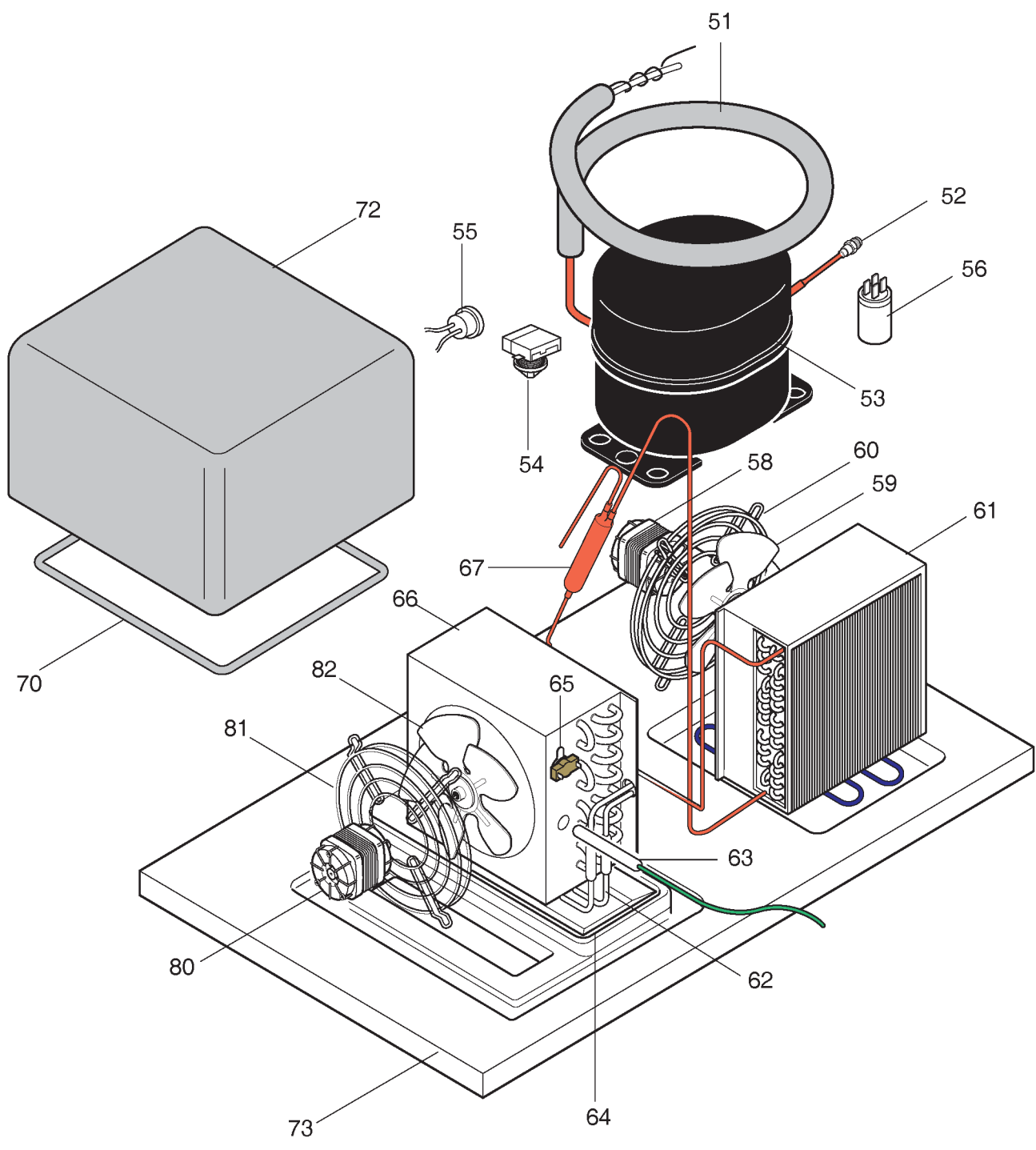
Da Ser. Nr. / From ser. nr.: ...

Cooling unit assembly -6/+6°C
Gruppo refrigerante -6/+6°C



Da Ser. Nr. / From ser. nr.:

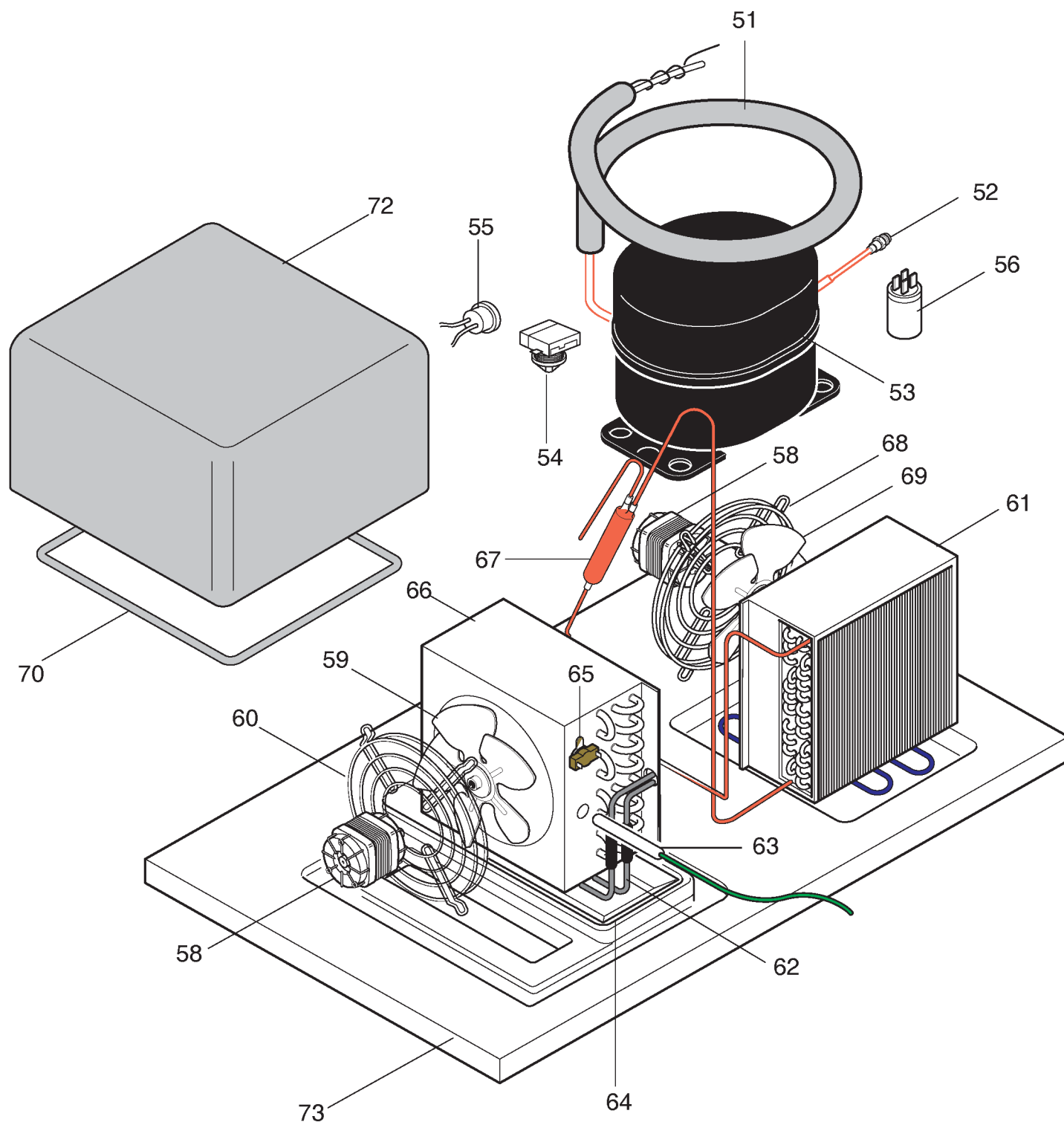
Cooling unit assembly -2 +10 °C
 Gruppo refrigerante -2 +10 °C



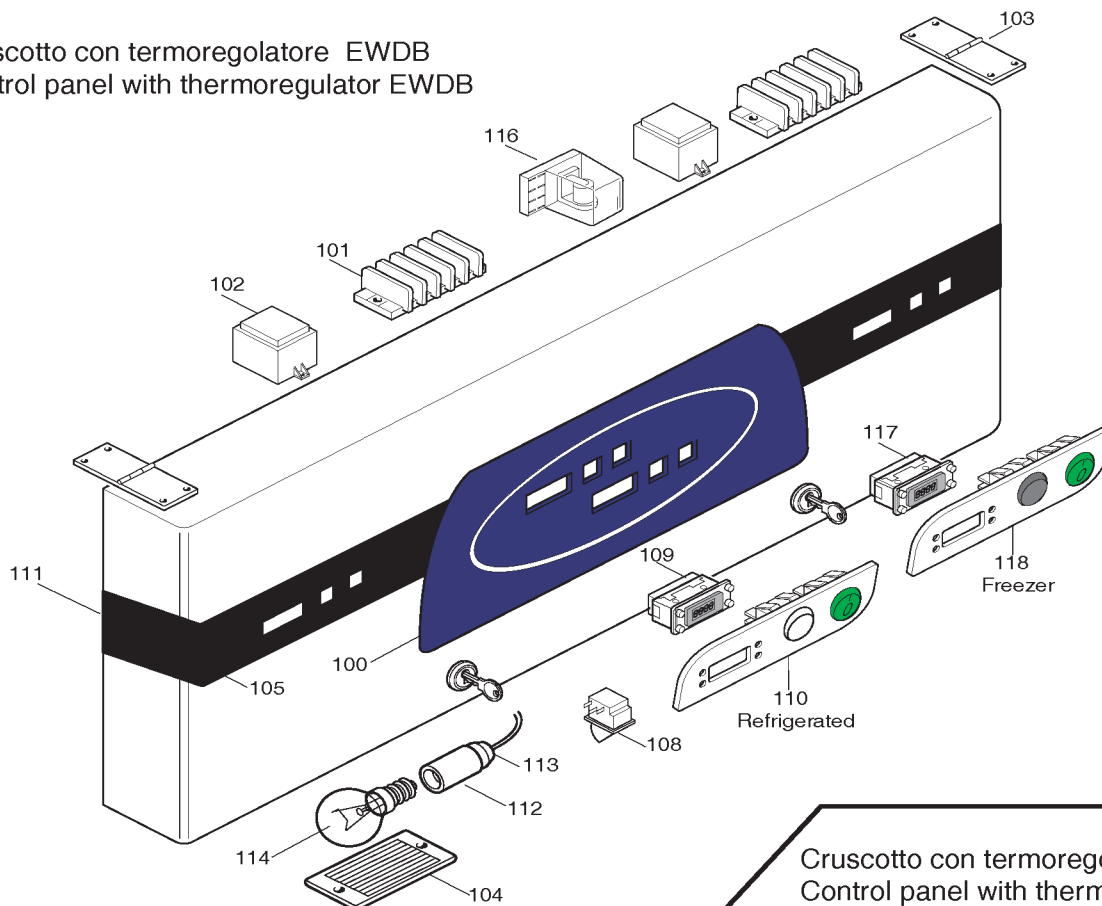
Da Ser. Nr. / From ser. nr.: ..

Cooling unit assembly -15/-24°C

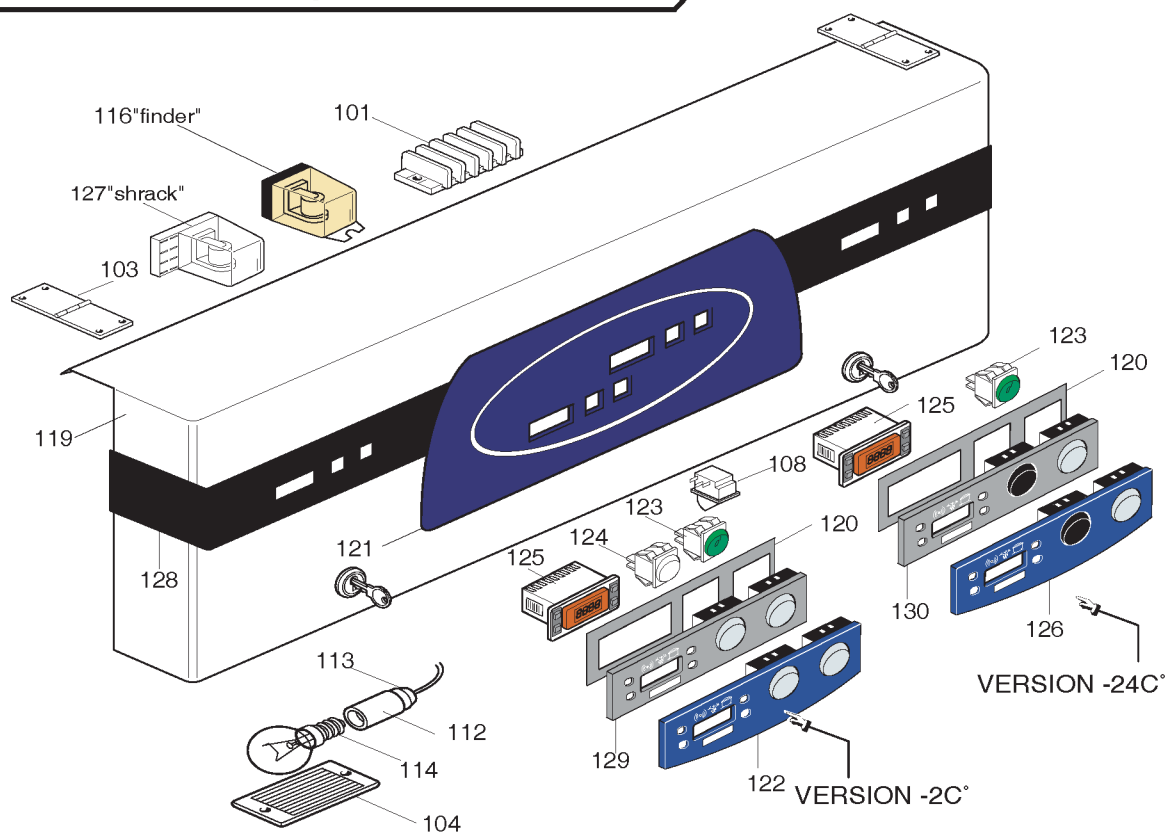
Gruppo refrigerante -15/-24°C



Cruscotto con termoregolatore EWDB
Control panel with thermoregulator EWDB



Cruscotto con termoregolatore ID
Control panel with thermoregulator ID



CABINET 1400 LT DUAL TEMPERATURE

Digital Control IR33 Heavy Duty Range -2/-6° +10,-15 -24 C°

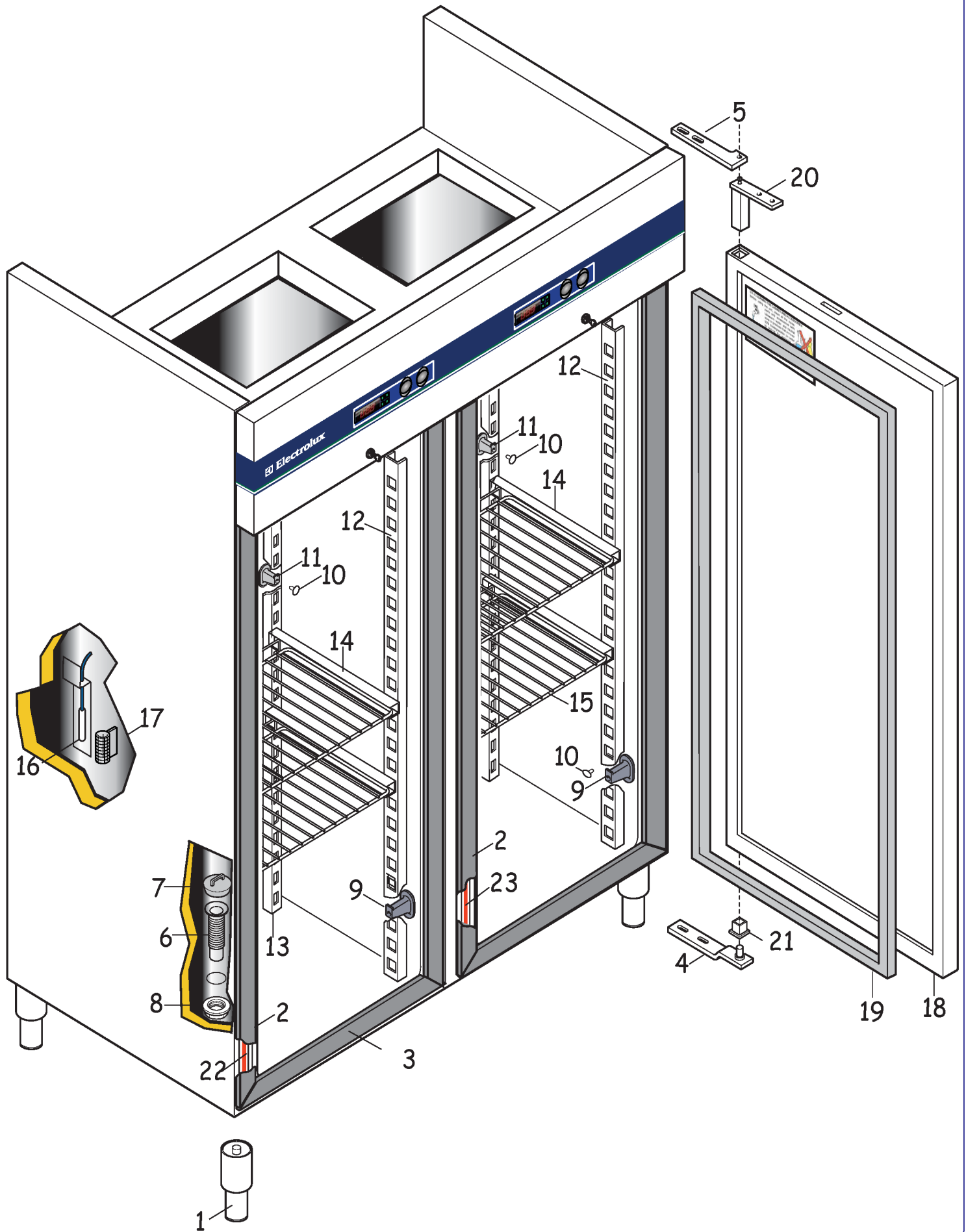
| Code | Avv. Model | Description | Ref Page | Brand |
|--------|----------------|--|-----------|------------|
| 728428 | 22/24 RD14DD2F | 2-DOOR DIGIT.REFRIG/REFRIG 650+650 LT | a 2,4,6 | Electrolux |
| 728429 | 24/26 RD14DFD2 | 2-DOOR DIGIT.REFRIG/FREEZER 650+650 LT | b 2,4,5,6 | Electrolux |
| 728430 | 20/22 RH14DD3F | 3-DOOR DIGIT.REFRIG/REFRIG 1000+300 LT | c 3,4,6 | Electrolux |

Note:

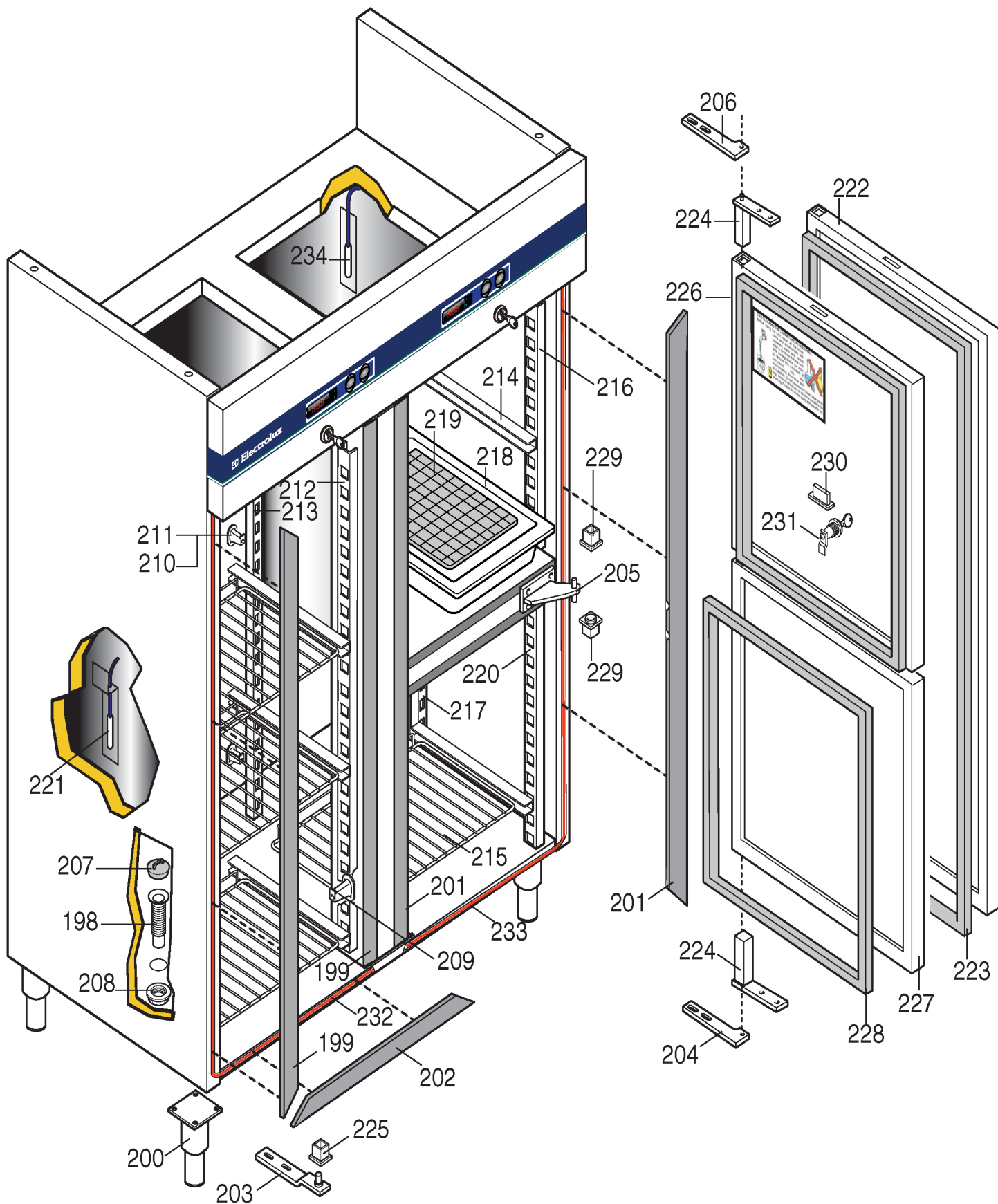
this document is available from serial N°940000..

| Pag. | Index |
|----------|----------------------------------|
| 2 | Cabinet and door |
| 3 | Cabinet and 1/2door |
| 4 | Cooling unit assembly -2/-6+10C° |
| 5 | Cooling unit assembly -15-24C° |
| 6 | Control panel |
| 7,8,9,10 | Spare parts list |

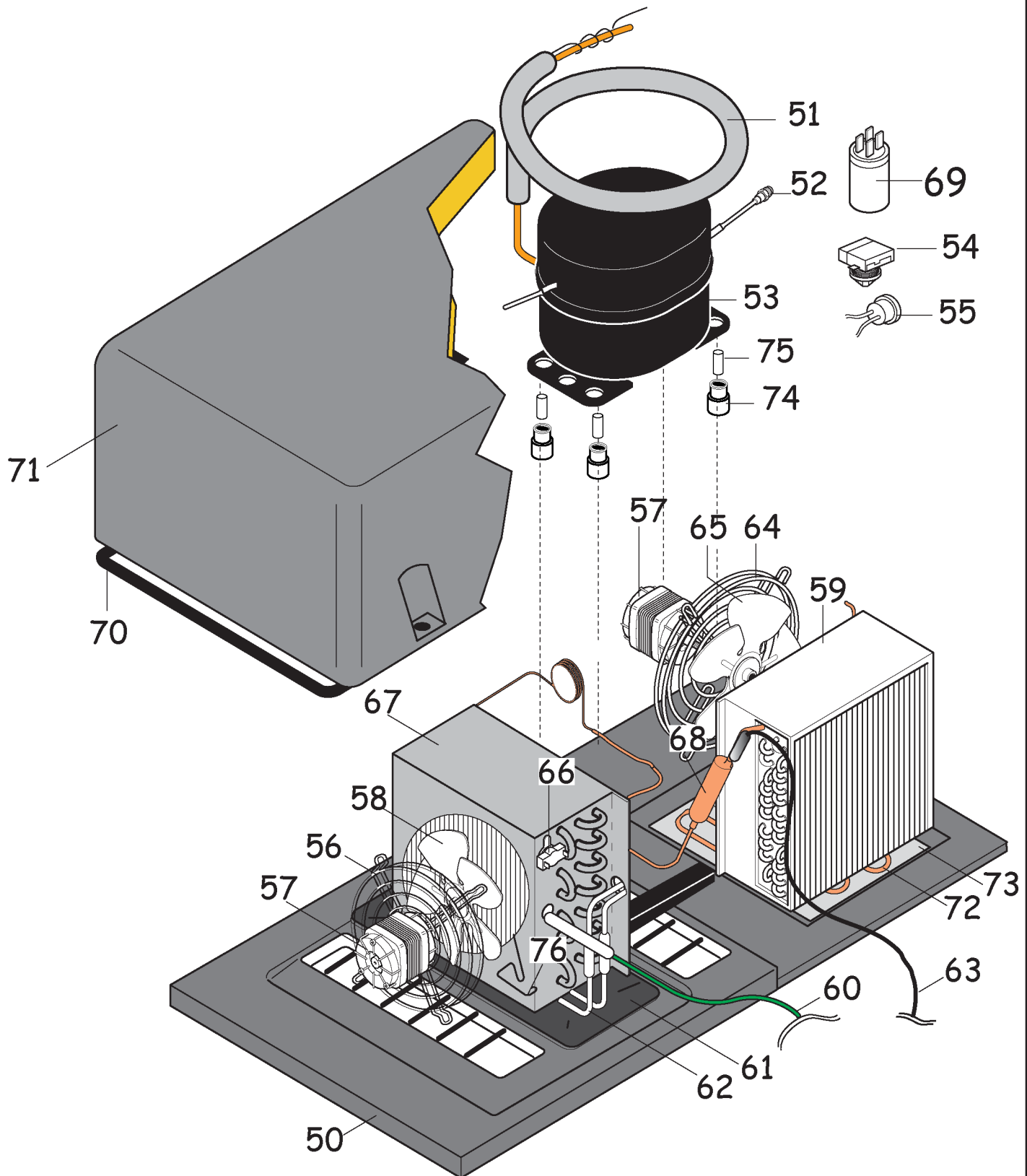
| Indice |
|--------------------------------|
| Armadio e porta |
| Armadio e porta e mezza porta |
| Gruppo refrigerante -2/-6+10C° |
| Gruppo refrigerante -15-24C° |
| Pannello comandi |
| Listaricambi |



* COMPONENT AVAILABLE UPON REQUEST TO SPLC
 * COMPONENTI DISPONIBILI A RICHIESTA PRESSO LO SPLC

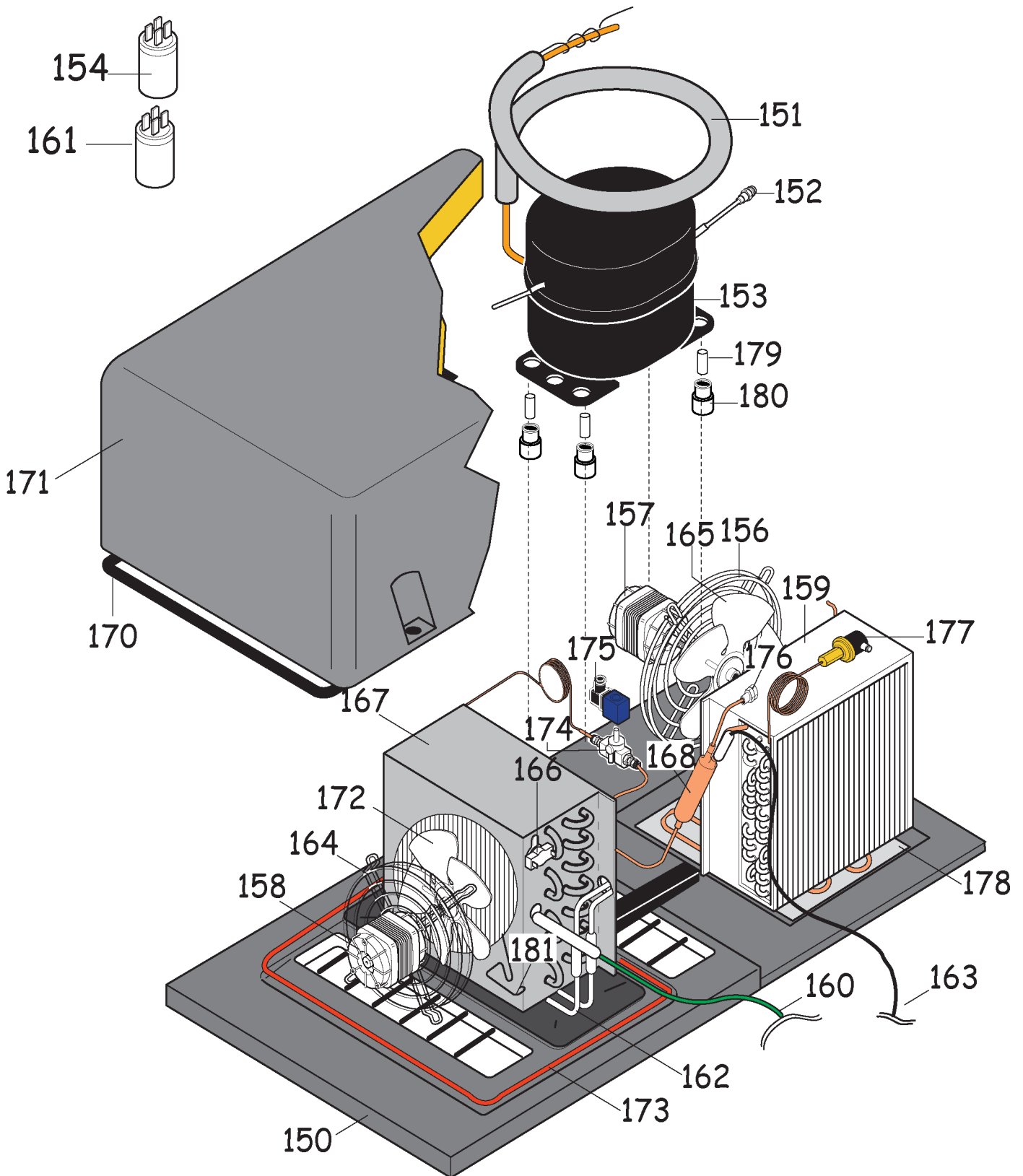


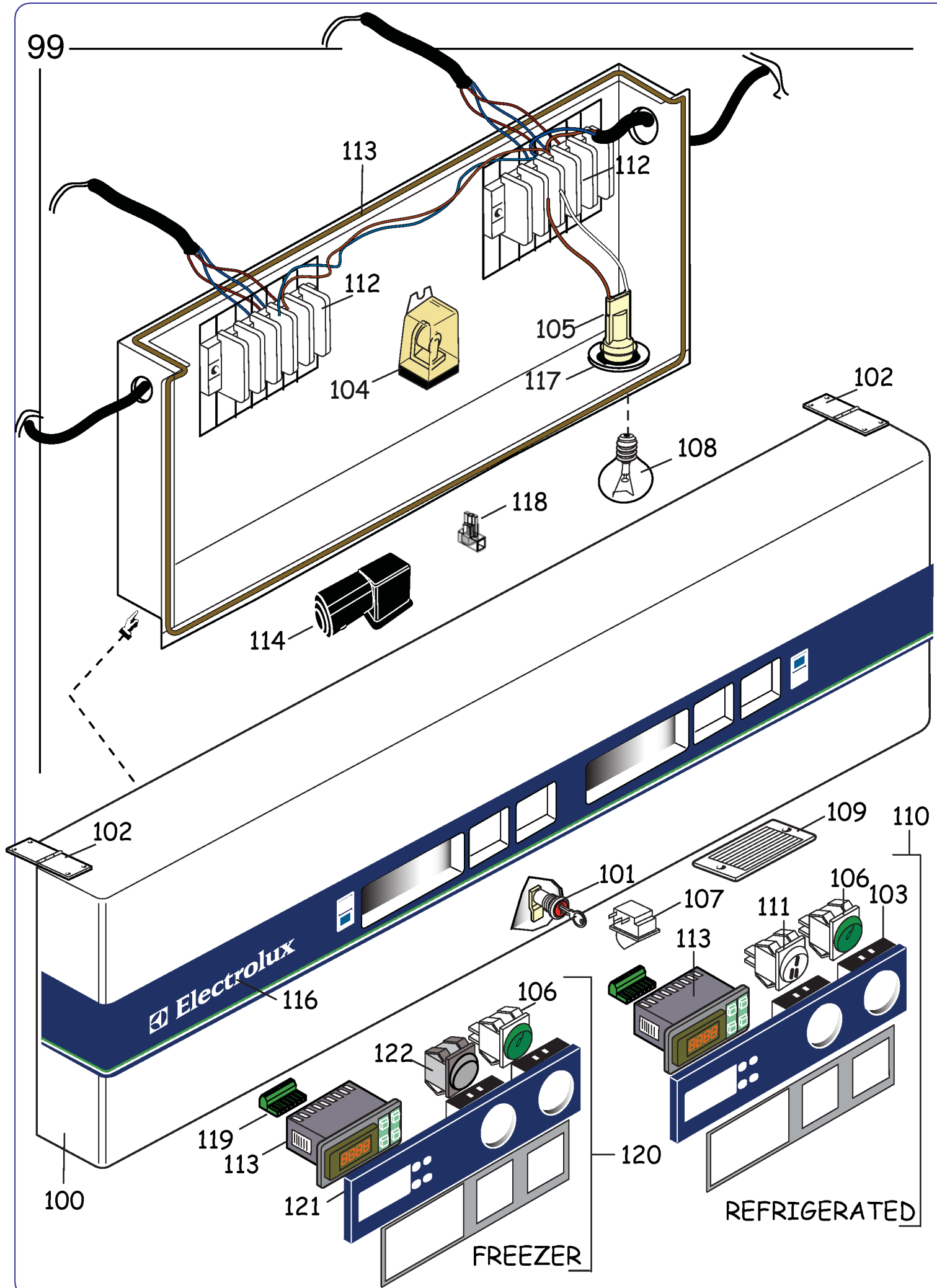
Cooling unit assembly -2 +10 °C



* COMPONENT AVAILABLE UPON REQUEST TO SPLC
 * COMPONENTI DISPONIBILI A RICHIESTA PRESSO LO SPLC

Cooling unit assembly -15 -24 °C





* COMPONENT AVAILABLE UPON REQUEST TO SPLC
 * COMPONENTI DISPONIBILI A RICHIESTA PRESSO LO SPLC