

Ovens Platform
Viale Treviso, 15
33170 Pordenone - Italy
Fax: +39 0434-380577

6 GN 1/1 ELECTRIC STEAM - CONVECTION OVEN
FORNO CONVEZIONE- VAPORE ELETTRICO 6 GN 1/1

PNC	Model	Ref.	Page	Notes
260 450	AOS061EA	a	2-3-4-5-6	Level/Livello A
260 451	AOS061EB	b	2-3-4-5-6	Level/Livello B
260 456	AOS061EA3J	c	2-3-4-5-6	Level/Livello A
260 457	AOS061EB3J	d	2-3-4-5-6	Level/Livello B
260 462	AOS061EA2N	e	2-3-4-5-6	Level/Livello A
260 463	AOS061EB2N	f	2-3-4-5-6	Level/Livello B
260 510	AOS061EA0H	g	2-3-4-5-6	Level/Livello A
260 511	AOS061EB0H	h	2-3-4-5-6	Level/Livello B

Index

Pag.2 Oven cabinet and door
3 Water system
4 Water system old
5 Boiler
6 Electrical components
7 Tray support
8-11Spare part list

Indice

Cella forno e porta
Impianto idraulico
Impianto idraulico old
Boiler
Componenti elettrici
Struttura portateglie
Lista ricambi

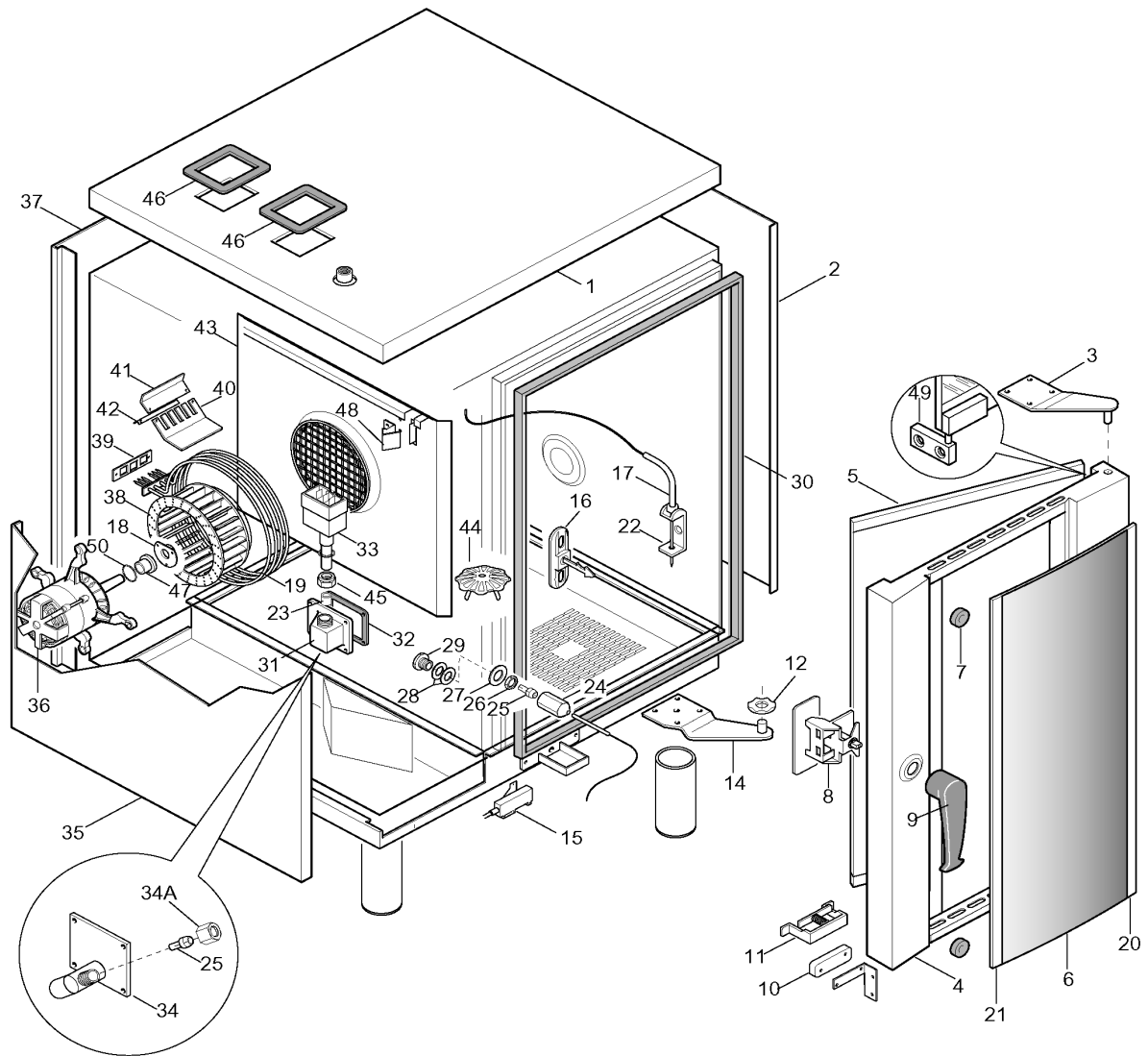
Brand / Marchio: Electrolux
Factory code: 9PDX

OV / DOC

From ser. nr. / Da Ser. Nr.: 248

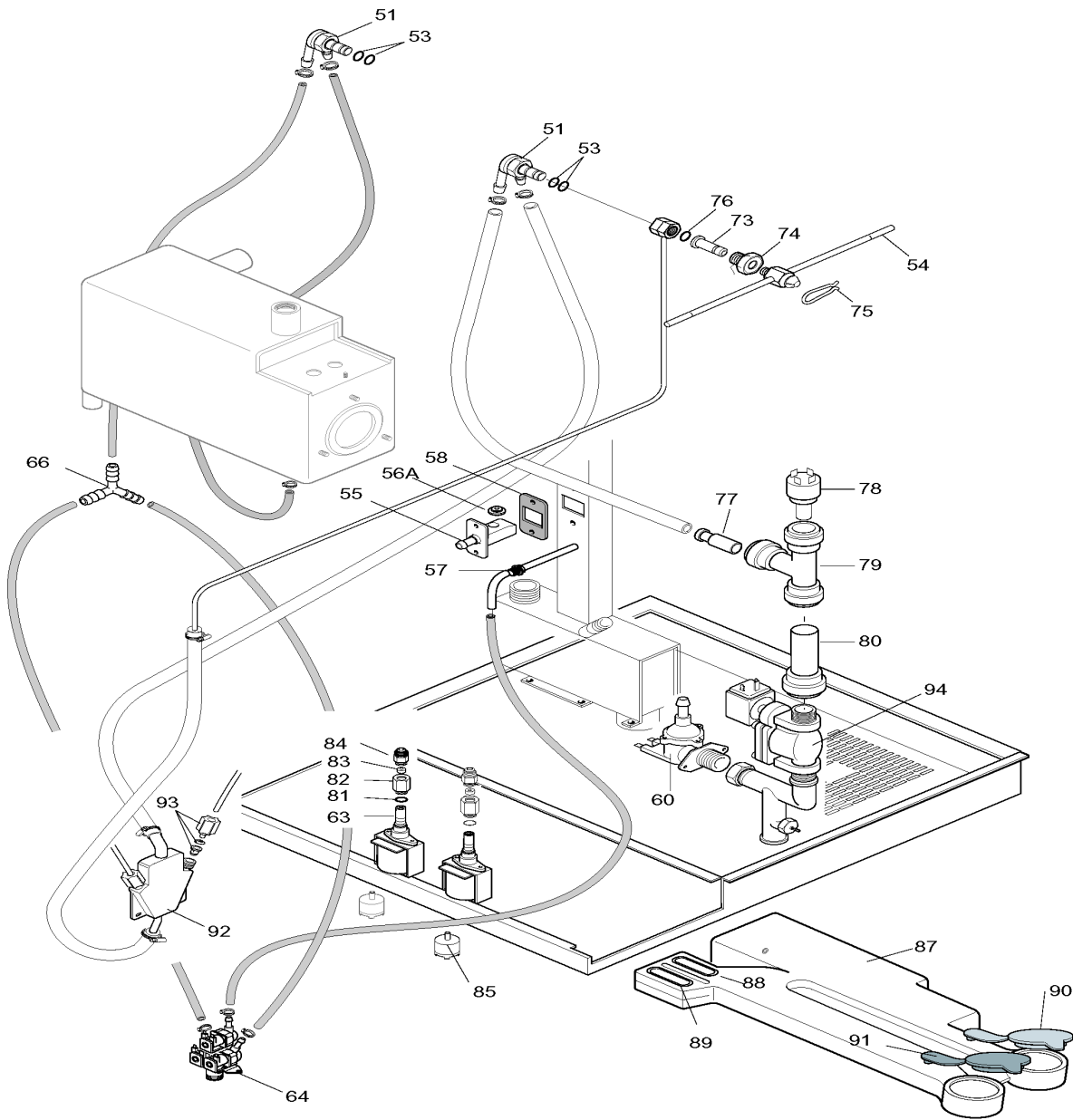
Page: 1 Ed. 0405

Doc. Nr.: **3 - 12 104**



??????	260450									
??????	3-12104		???????? 2				Oven cabinet and door			
.		Alias		S			.			(Euro)
0001	006970	0851803802			D			COVER		
0002	006971	0522845302			D			SIDE		170,20
0003	006972	0512817101						DOOR HINGE; ON THE TOP		
0004	006973	0873826206			D			DOOR		926,10
0005	006974	0806819302						GLASS		202,61
0006	006975	0574809400	0C3250		D			GLASS		
0007	006976	0543828001			S			SHOCK ABSORBER		4,46
0008	006977	0835854703			S			OVERTURNING MECHAN.		209,92
0009	0C1616	0831820700			S			HANDLE		59,42
0010	049627	0699603700						MAGNET		10,31
0011	006979	0835854601						STEAM TRAP		112,78
0012	002653	0510815700						SPACER FOR HINGE		14,01
0014	006980	0512816102						DOOR HINGE; ON THE BOTTOM		58,39
0015	049621	0654600000					+	REED SWITCH		15,45
0016	0C2215	0831820800			S			CATCH; ASSY		49,51
0017	006982	0830891703			A			PROBE	a,c,e,g - Start SN 229 Stop SN 250	271,55
0017	0C1164	0830891705			A			CORE PROBE	a,c,e,g - Start SN 251	255,91
0018	006670	0508839300			S			FLANGE		6,33
0019	006984	0617823301	0C5362		A			HEATING ELEMENT; 3,2 KW 400V	a,b,g,h	
0020	006987	0806819101						FIXING PROFILE; RIGHT		
0021	006988	0806819201						FIXING PROFILE		
0022	006989	0527842001						SUPPORT		40,32
0023	050682	0215170716						DOUBLE CONE; ØI=12MM	a,c,e,g	2,08
0024	006991	0516855300						NUT		23,08
0025	002701	0516809301						INSULATOR		3,69
0026	020997	0214105101						LOCK NUT		1,29
0027	002700	0508838701						WASHER		3,16
0028	002624	0543816300					Kit	GASKET; SET 50 PCS		24,86
0029	002623	0516809400						PIPE FITTING		10,33
0030	006992	0543828103	0C1496		A			GASKET; 475X450MM		
0031	006993	0806822300						PIPE	a,c,e,g	92,44
0032	006994	0543829003						GASKET		34,05
0033	006995	0830891200	0C6465		A		+	LAMBDA PROBE	a,c,e,g	
0035	006997	0522845403						SIDE		
0036	006998	0611806001			S	A		MOTOR ;190W 230 V 50/60 HZ; 4/6 POLES		235,02
0037	006999	0522845403			D			BACK		

??????	260450								
??????	3-12104	???????? 2	Oven cabinet and door						
.		Alias		S			.		(Euro)
0038	007000	0830892400	0C7029					FAN BLADE	
0039	002689	0543816501						HEATING ELEMENT GASKET	26,85
0040	0C3830	0527833700						SUPPORT	15,00
0041	006256	0503891801		S				BLADE; FOR FIXING HEATING ELEMENT	15,64
0042	000000								
0043	007004	0830892504	0C4618					WALL; ASS.	
0044	0C1740	0518808600		S				FILTER	13,64
0045	050670	0214111412						NUT; M20X1,5	10,44
0046	007005	0543828901		S				GASKET	6,19
0047	002699	0516808902						BEARING; FOR MOTOR SHAFT	21,09
0048	0C3423	0518807301						SPRING; SUCTION WALL	20,20
0049	007007	0806822000		S				HINGE	16,83
0050	002873	0543816700						O-RING; ØI=MM.28,17X3,53	2,50



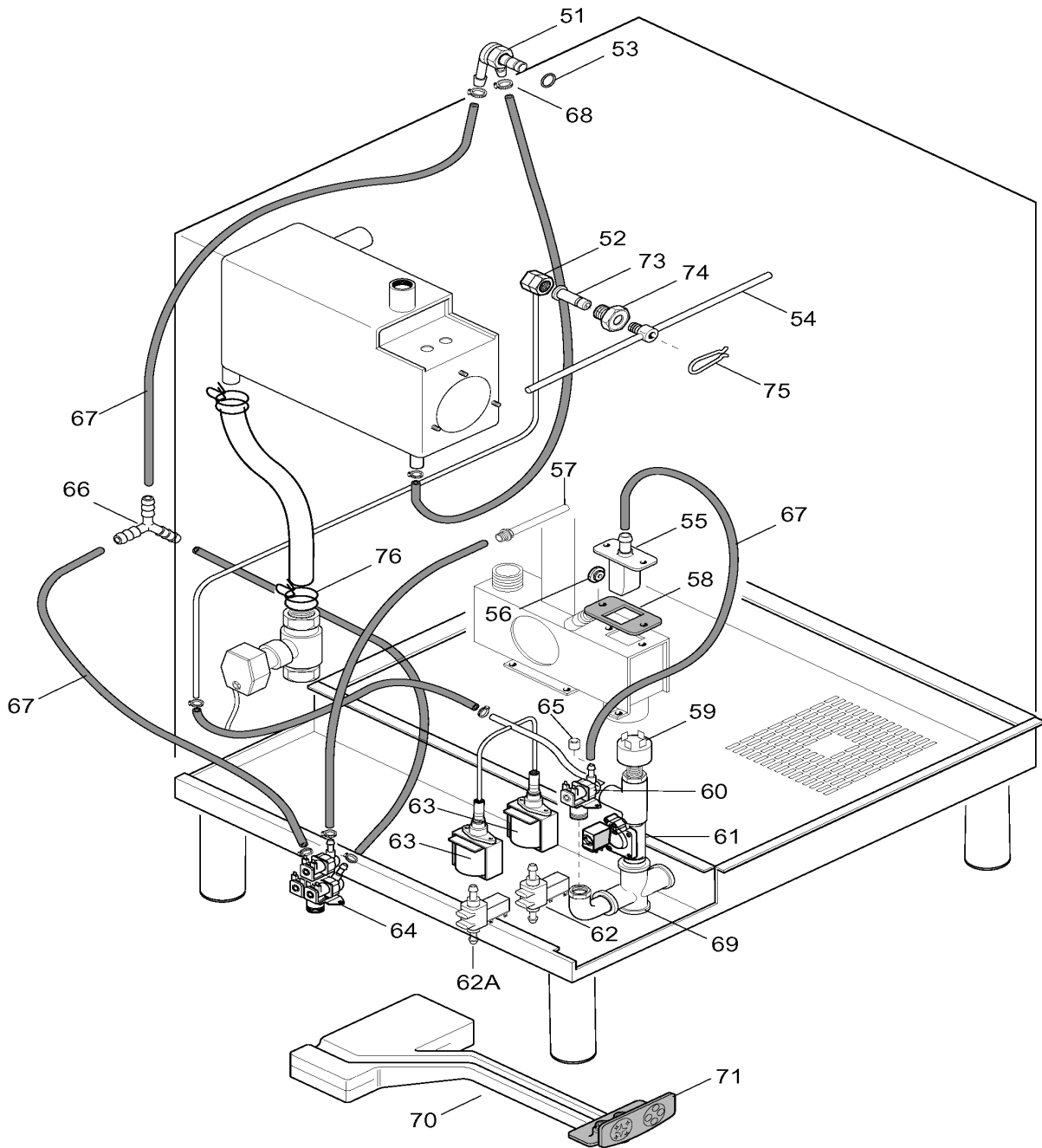
From ser. nr. / Da Ser. Nr.: 248

Page: 3 Ed. 0405

Doc. Nr.: **3 - 12 104**

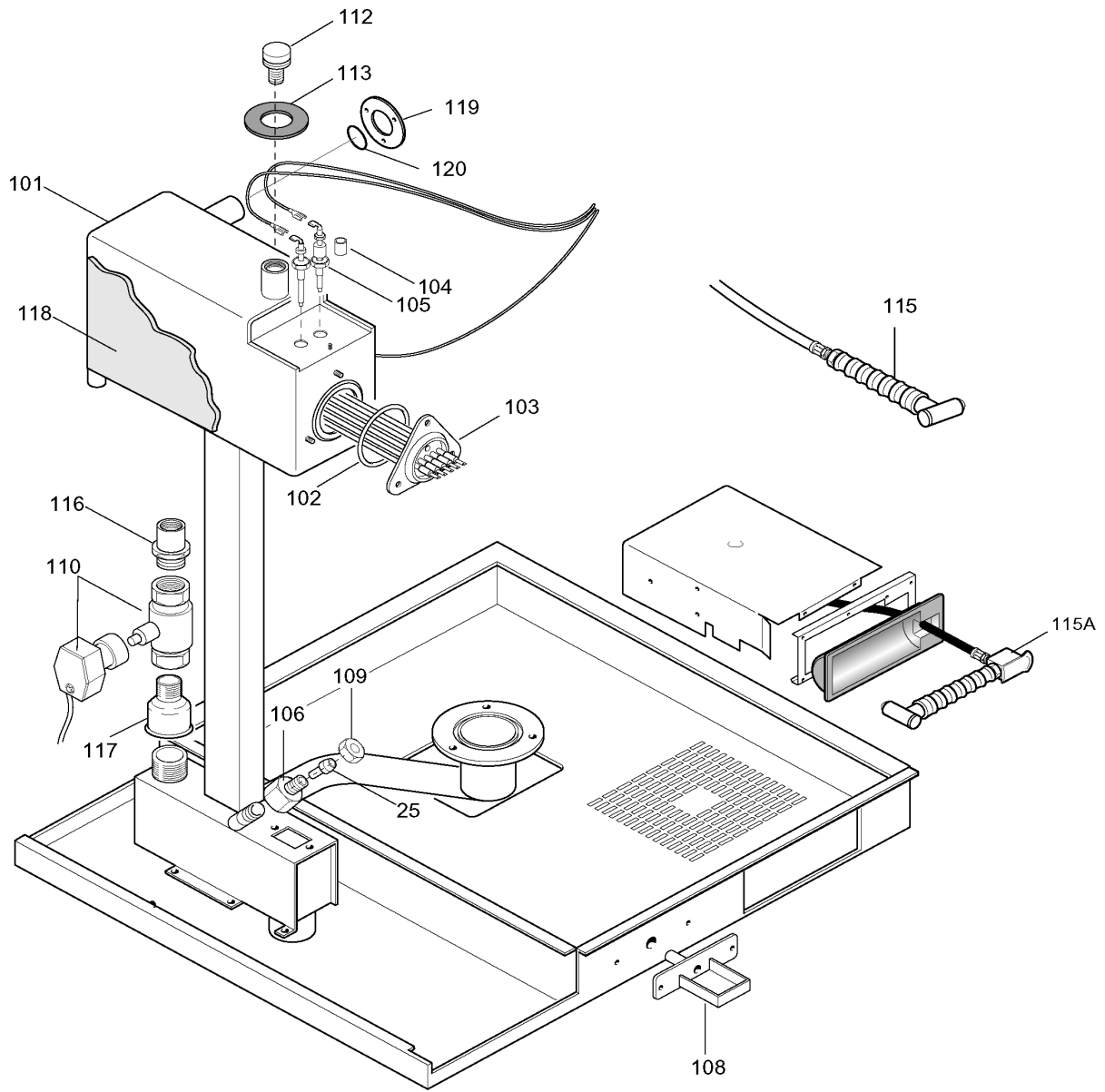
??????	260450								
??????	3-12104		???????? 3				Water system		
.		Alias		S			.		(Euro)
0051	007008	0544806701		S			NONRETURN VALVE		10,72
0052	007009	0806818201					SUPPORT	a,c,e,g	96,82
0053	058904	0543813600		S			O-RING; ØI=8,75X1,78 MM		1,05
0054	007010	0806823100	0C8317				JET; L=422MM	a,c,e,g	
0055	007011	0803891101					SUPPORT FOR NOZZLE		33,95
0056	0C1039	0516867700					NOZZLE		9,17
0057	007012	0H22982600		S			PIPE		30,50
0058	007013	0543828501					GASKET		2,40
0059	007014	0646812001			A		WATER PRESSURE SWITCH	a,c,e,g	36,66
0060	055132	0696801000					SOLENOID VALVE; ES180 230V 50/60HZ		
0061	007015	0696803601			A		SOLENOID VALVE; 1/2" 230V 50HZ	a,c,e,g	73,84
0062	007016	0696804100			A		SOLENOID VALVE; 1/4" 230V 50/60HZ	a,c,e,g	128,34
0063	007018	0680801200	0CA120		A		DETERGENT PUMP; 240V	a,c,e,g	
0064	002859	0696802900	0C1934		D		SOLENOID VALVE; ET180 230V 50/60HZ		
0065	002752	0516814402					FLOW CONTROL		16,70
0066	047431	0544615700					CONNECTION 3 WAY		6,15
0067	002707	0140068008				PDD2005 -18	ARMORED RUBBER HOSE; BY METER		
0069	007020	0511817200					CROSS	a,c,e,g	
0070	007021	0544806901					POWDER CONTAINER	a,c,e,g	47,74
0071	0C0827	0544807900					COVERING	a,c,e,g	5,10
0073	007025	0516855903	0C5293				CONNECTION	a,c,e,g	
0074	007024	0516856001	0C5103				RUNNER	a,c,e,g	
0075	007026	0518807100		S			SPRING	a,c,e,g	14,66
0076	007074	0543828300		S			O-RING; ØI=29,75X3,53 MM	a,c,e,g	3,67
0077	0C1125	0516871000		S			RUBBER HOLDER	a,c,e,g	20,30
0078	0C1126	0646813000		S	A		WATER PRESSURE SWITCH; 0,2 BAR	a,c,e,g	36,66
0079	0C1124	0544808500		S			T-FITTING	a,c,e,g	19,22
0080	0C1149	0544808600		S			END PIECE	a,c,e,g	11,68
0081	0C1935	0543832300		S			O-RING; ØI=6,75X1,78 MM	a,c,e,g	1,05
0082	0C1116	0516871900		S			FITTING; RINSE AND DETERGENT PUMPS	a,c,e,g	10,59
0083	0C1117	0544809000		S			NONRETURN VALVE	a,c,e,g	7,10
0084	0C1118	0544808700	0C3649				END PIECE	a,c,e,g	
0085	0C1155	0831811400		S			FILTER	a,c,e,g	16,43
0086	000000								
0087	0C1150	0544808000	0C4426				RESERVOIR	a,c,e,g	
0088	0C1154	0544808900		S			WALL RED	a,c,e,g	4,25

??????	260450									
??????	3-12104		???????? 3				Water system			
.		Alias		S			.			(Euro)
0089	0C1153	0544808400		S				WALL BLU	a,c,e,g	4,25
0090	0C1152	0544808200		S				RED CAP	a,c,e,g	2,84
0091	0C1151	0544808100		S				PLUG BLU	a,c,e,g	3,17
0092	0C1119	0544808300		S				MANIFOLD	a,c,e,g	33,20
0093	0C1120	0544808800		S				NUT; WITH OGIVE	a,c,e,g	10,27
0094	0C1148	0696804700		S	A			SOLENOID VALVE; 1/2" 230V 50/60HZ	a,c,e,g	68,21
056A	0C1039	0516867700						NOZZLE		9,17
062a	007017	0696804000			A			SOLENOID VALVE; 230V 50HZ	a,c,e,g	37,18

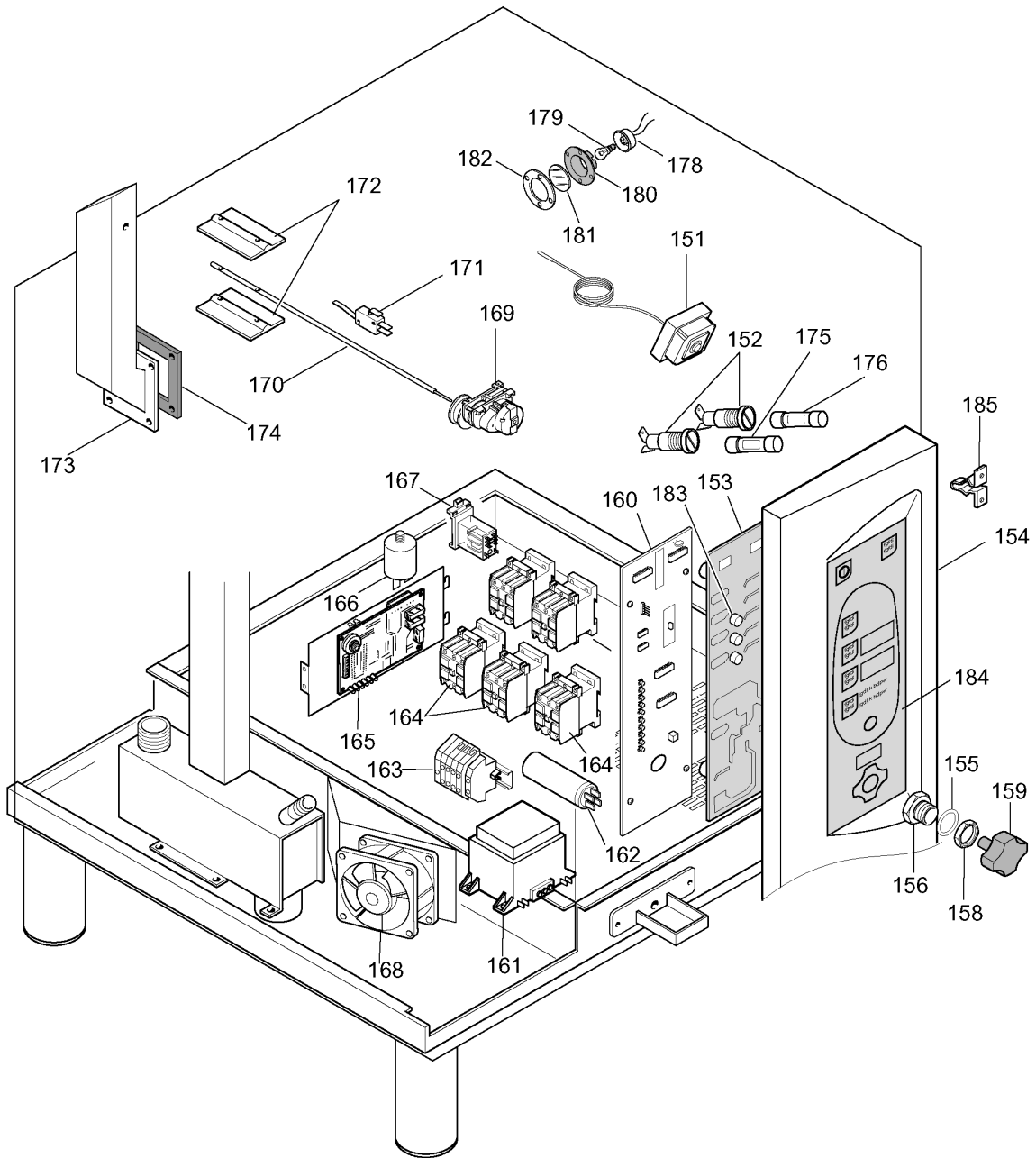


??????	260450								
??????	3-12104		???????? 4				Water system old		
.		Alias		S			.		(Euro)
0051	007008	0544806701		S			NONRETURN VALVE		10,72
0052	007009	0806818201					SUPPORT	a,c,e,g	96,82
0053	058904	0543813600		S			O-RING; ØI=8,75X1,78 MM		1,05
0054	007010	0806823100	0C8317				JET; L=422MM	a,c,e,g	
0055	007011	0803891101					SUPPORT FOR NOZZLE		33,95
0056	0C1039	0516867700					NOZZLE		9,17
0057	007012	0H22982600		S			PIPE		30,50
0058	007013	0543828501					GASKET		2,40
0059	007014	0646812001			A		WATER PRESSURE SWITCH	a,c,e,g	36,66
0060	055132	0696801000					SOLENOID VALVE; ES180 230V 50/60HZ		
0061	007015	0696803601			A		SOLENOID VALVE; 1/2" 230V 50HZ	a,c,e,g	73,84
0062	007016	0696804100			A		SOLENOID VALVE; 1/4" 230V 50/60HZ	a,c,e,g	128,34
0063	007018	0680801200	0CA120		A		DETERGENT PUMP; 240V	a,c,e,g	
0064	002859	0696802900	0C1934		D		SOLENOID VALVE; ET180 230V 50/60HZ		
0065	002752	0516814402					FLOW CONTROL		16,70
0066	047431	0544615700					CONNECTION 3 WAY		6,15
0067	002707	0140068008				PDD2005 -18	ARMORED RUBBER HOSE; BY METER		
0068	000000								
0069	007020	0511817200					CROSS	a,c,e,g	
0070	007021	0544806901					POWDER CONTAINER	a,c,e,g	47,74
0071	0C0827	0544807900					COVERING	a,c,e,g	5,10
0073	007025	0516855903	0C5293				CONNECTION	a,c,e,g	
0074	007024	0516856001	0C5103				RUNNER	a,c,e,g	
0075	007026	0518807100		S			SPRING	a,c,e,g	14,66
0076	007074	0543828300		S			O-RING; ØI=29,75X3,53 MM	a,c,e,g	3,67
0077	0C1125	0516871000		S			RUBBER HOLDER	a,c,e,g	20,30
0078	0C1126	0646813000		S	A		WATER PRESSURE SWITCH; 0,2 BAR	a,c,e,g	36,66
0079	0C1124	0544808500		S			T-FITTING	a,c,e,g	19,22
0080	0C1149	0544808600		S			END PIECE	a,c,e,g	11,68
0081	0C1935	0543832300		S			O-RING; ØI=6,75X1,78 MM	a,c,e,g	1,05
0082	0C1116	0516871900		S			FITTING; RINSE AND DETERGENT PUMPS	a,c,e,g	10,59
0083	0C1117	0544809000		S			NONRETURN VALVE	a,c,e,g	7,10
0084	0C1118	0544808700	0C3649				END PIECE	a,c,e,g	
0085	0C1155	0831811400		S			FILTER	a,c,e,g	16,43
0086	000000								
0087	0C1150	0544808000	0C4426				RESERVOIR	a,c,e,g	

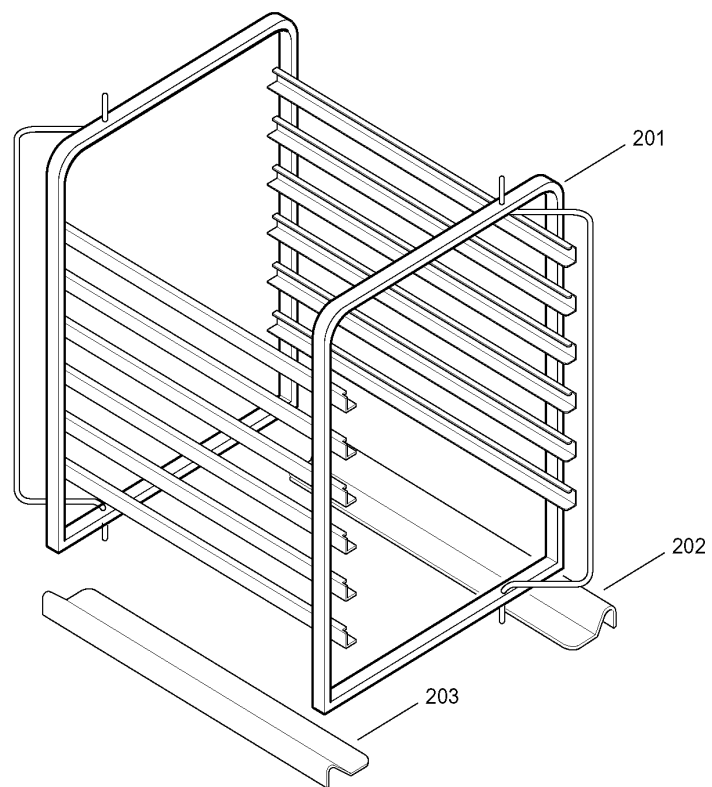
??????	260450									
??????	3-12104		???????? 4				Water system old			
.		Alias		S			.			(Euro)
0088	0C1154	0544808900		S				WALL RED	a,c,e,g	4,25
0089	0C1153	0544808400		S				WALL BLU	a,c,e,g	4,25
0090	0C1152	0544808200		S				RED CAP	a,c,e,g	2,84
0091	0C1151	0544808100		S				PLUG BLU	a,c,e,g	3,17
0092	0C1119	0544808300		S				MANIFOLD	a,c,e,g	33,20
0093	0C1120	0544808800		S				NUT; WITH OGIVE	a,c,e,g	10,27
0094	0C1148	0696804700		S	A			SOLENOID VALVE; 1/2" 230V 50/60HZ	a,c,e,g	68,21
056A	0C1039	0516867700						NOZZLE		9,17
062A	007017	0696804000			A			SOLENOID VALVE; 230V 50HZ	a,c,e,g	37,18



??????	260450								
??????	3-12104		???????? 5				Boiler		
.		Alias		S			.		(Euro)
0025	000000								
0101	007028	0830890805	0C5374		A			BOILER	743,97
0102	007029	0543828800		S				O-RING; ØI=56,52X5,34MM	6,77
0103	007030	0617824101	0C5381		A	+		HEATING ELEMENT; 9KW 400V	a,b,g,h
0104	055347	0515857001						SPACER; H=11,5MM	6,10
0105	007033	0830890500		S	A	+		LEVEL PROBE; BOILER	33,95
0106	006990	0516857200						CONNECTION	36,04
0107	000000								
0108	007035	0806817902					D	BOX	
0109	002702	0516809200						NUT	23,61
0110	0C0882	0696804201	0CB250	S	A			MOTOR-OPERATED VALVE; 3/4" 230V 50/60HZ	148,28
0111	000000								
0112	002692	0543816601						CAP; DESCALING LOAD IN THE BOILER	6,96
0113	002634	0543817500						BUFFER	
0114	000000								
0115	007039	0873826400	0C1156					SHOWER UNIT	
0116	007117	0516809501		S				CONNECTION	16,27
0117	007040	0511817600		S				CONNECTION	11,41
0118	000000	0560838404							
0119	005381	0508839400		S				FLANGE	9,41
0120	002874	0543816800						O-RING; ØI=31,34X3,53 MM	3,58
115A	0C2218	0873848500		S				SHOWER UNIT	359,33



??????	260450									
??????	3-12104		???????? 6				Electrical components			
.		Alias		S			.			(Euro)
0151	007042	0646812200		S	A			SAFETY THERMOSTAT; 357°C		95,94
0152	0F0031	0652802100	0CB128					FUSE HOLDER; SET 2PCS		
0153	0C0043	0675837902		S	A			USER INTERFACE BOARD; COPUI20-A; LEV.A	a,c,e,g	621,52
0154	007043	0853853507			D			CONTROL PANEL	a,c,e,g	
0155	002727	0508836400						WASHER		1,05
0156	002662	0516807301						BUSH		6,19
0158	051263	0214114900						LOCK NUT		3,99
0159	007044	0548856302						KNOB		7,10
0160	0C0042	0675837803		S	A			POWER BOARD; COP20-A; LIV A/B/C LW		605,05
0161	007045	0624806900		S	A			TRANSFORMER; 100VA 230/12V	a,b,e,f,g,h	55,67
0162	047541	0694604400						CAPACITOR; 12,5MF		12,93
0163	058875	0639805201						TERMINAL BOARD		23,34
0164	088447	0648807300	087913					LAMP BODY		
0165	007047	0624807001		S	A			POWER SUPPLY BOARD; LAMBDA PROBE	a,c,e,g	149,31
0166	049303	0694605400						RADIO INTERFERENCE FILTER; 250V 50/60HZ		24,73
0167	058557	0648803001	058857					RELAY		
0168	002656	0624802900						FAN; 15W 230V 50/60HZ		
0169	002696							GEARMOTOR	UP TO SN 249	
0169	0C0883	0646812801			D	PDD2012 -14		GEARMOTOR; 230V 50HZ; 4VA	FROM SN 250	81,67
0170	000000	0516856200							UP TO SN 249	
0170	007049	0516856201						ROD	FROM SN 250	35,93
0171	007050	0640804100						MICROSWITCH; W/ADAPT.	upto sn 249	21,83
0172	007081	0508896801		S				JALOUSIE		19,53
0173	007052	0830890004						PIPE		58,69
0174	007053	0543828600		S				GASKET		20,11
0175	007054	0652802900			A			FUSE; 630MA		1,42
0176	058871	0652800901						FUSE; 6,3A; 5X20; QUICK ACTING		1,07
0178	007055	0660806400		S				LAMP HOLDER		22,35
0179	000000									
0180	002626	0543817202					+	LAMP HOLDER GASKET		15,84
0181	002627	0574804900					+	LAMP GLASS		10,54
0182	002628	0508840801						FLANGE		4,13
0183	002670	0548836902						EXTENSION; L=6,95MM		1,05
0184	007057	0675838202						MEMBRANE	a,c,e,g	122,25
0185	053342	0518801801						SPRING; FOR BRAND		1,07



??????	260450									
??????	3-12104	???????? 7	Tray support							
.		Alias		S			.			(Euro)
0000	0C0324	0830898900	0C6538		A			PROBE; 400 MM		
0000	0C0325	0830899000		S	A			TEMP.PROBE; THERMOCOUPLE; L=85CM; BOILER		41,05
0000	0C0326	0830899100	0C6539					PROBE; 1200 MM		
0201	007059	0853853402	0C3459					TRAY RACK FOR 6X1/1GN, 65MM PITCH (STD)	a,b,c,e,d,f	
0202	0C1567	0527839101						SUPPORT; RH		33,22
0203	0C1568	0527839200						SUPPORT; LH		39,27