

**OvensPlatform**  
Viale Treviso, 15  
33170 Pordenone - Italy  
Fax: +39 0434-380577

**06 GN 1/1 ELECTRIC STEAM - CONVECTION OVEN**  
**FORNO CONVEZIONE- VAPORE ELETTRICO 06 GN 1/1**

PNC	Model	Ref.	Page	Notes
267 000	AOS061EAA1	a	2-3-4-5-6-7	Level/Livello A
268 000	AOS061EBA1	b	2-3-4-5-6-7	Level/Livello B
267 020	AOS061EAN1	c	2-3-4-5-6-7	Level/Livello A
268 020	AOS061EBN1	d	2-3-4-5-6-7	Level/Livello B
267 030	AOS061EAC1	e	2-3-4-5-6-7	Level/Livello A
268 030	AOS061EBC1	f	2-3-4-5-6-7	Level/Livello B
267 010	AOS061EAH1	g	2-3-4-5-6-7	Level/Livello A
268 010	AOS061EBH1	h	2-3-4-5-6-7	Level/Livello B
269 000	AOS061ECA1	i	2-3-4-5-6-7	Level/Livello C
269 010	AOS061ECH1	l	2-3-4-5-6-7	Level/Livello C
269 020	AOS061ECN1	m	2-3-4-5-6-7	Level/Livello C
267 040	AOS061EAE1	n	2-3-4-5-6-7	Level/Livello A
268 040	AOS061EBE1	o	2-3-4-5-6-7	Level/Livello B
267 050	AOS061EAF1	p	2-3-4-5-6-7	Level/Livello A
268 050	AOS061EBF1	q	2-3-4-5-6-7	Level/Livello B
267 100	AOS061EAK1	r	2-3-4-5-6-7	Level/Livello A
268 100	AOS061EBK1	s	2-3-4-5-6-7	Level/Livello B
267 080	AOS061EAM1	t	2-3-4-5-6-7	Level/Livello A
267 090	AOS061EAB1	u	2-3-4-5-6-7	Level/Livello A

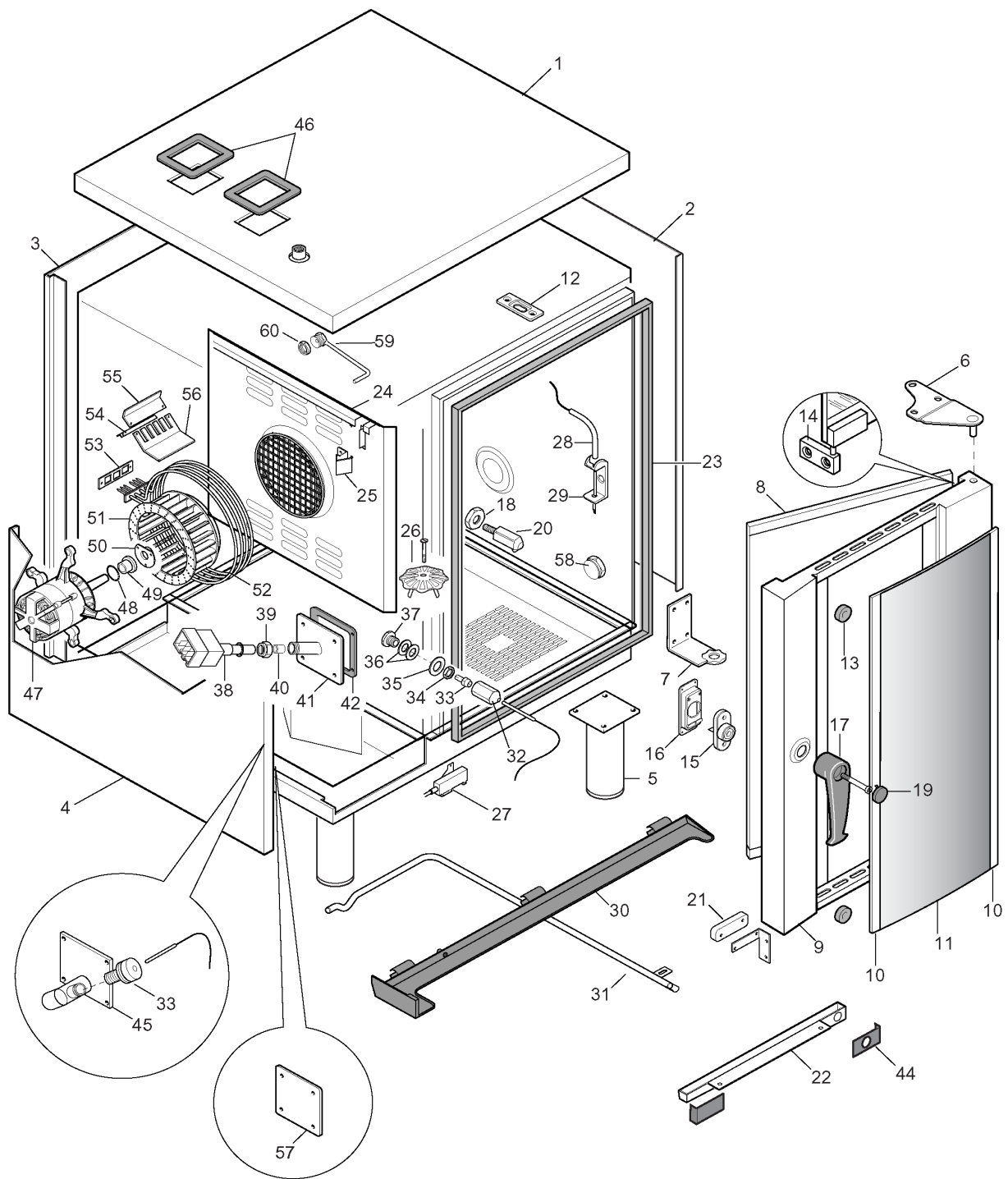
	<b>Index</b>
Pag. 2	Oven cabinet and door
3	Water system
4	Boiler
5	Electrical components
6	Tray support
7-10	Spare part list

	<b>Indice</b>
	Cella forno e porta
	Impianto idraulico
	Boiler
	Componenti elettrici
	Struttura portateglie
	Lista ricambi

**Brand / Marchio : ELECTROLUX**  
**Factory code: 9PDD**

OV / DOC

From ser. nr. / Da Ser. Nr.: ...	Page: 1 Ed. 2009 10	Doc. Nr.: <b>3 - 13 600</b>
----------------------------------	---------------------	-----------------------------



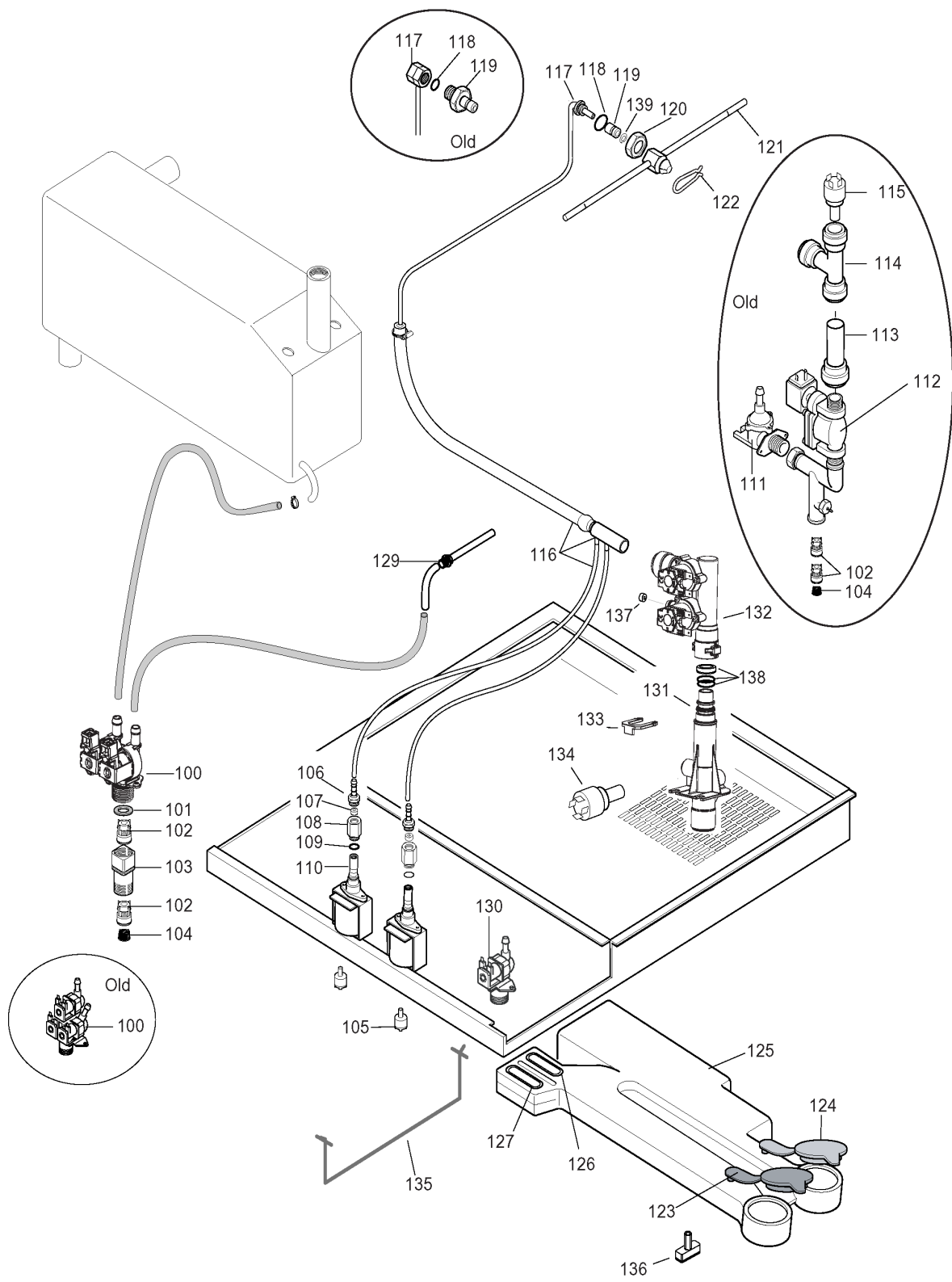
From ser. nr. / Da Ser. Nr.: ...

Page: 2 Ed. 2009 10

Doc. Nr.: **3 - 13 600**

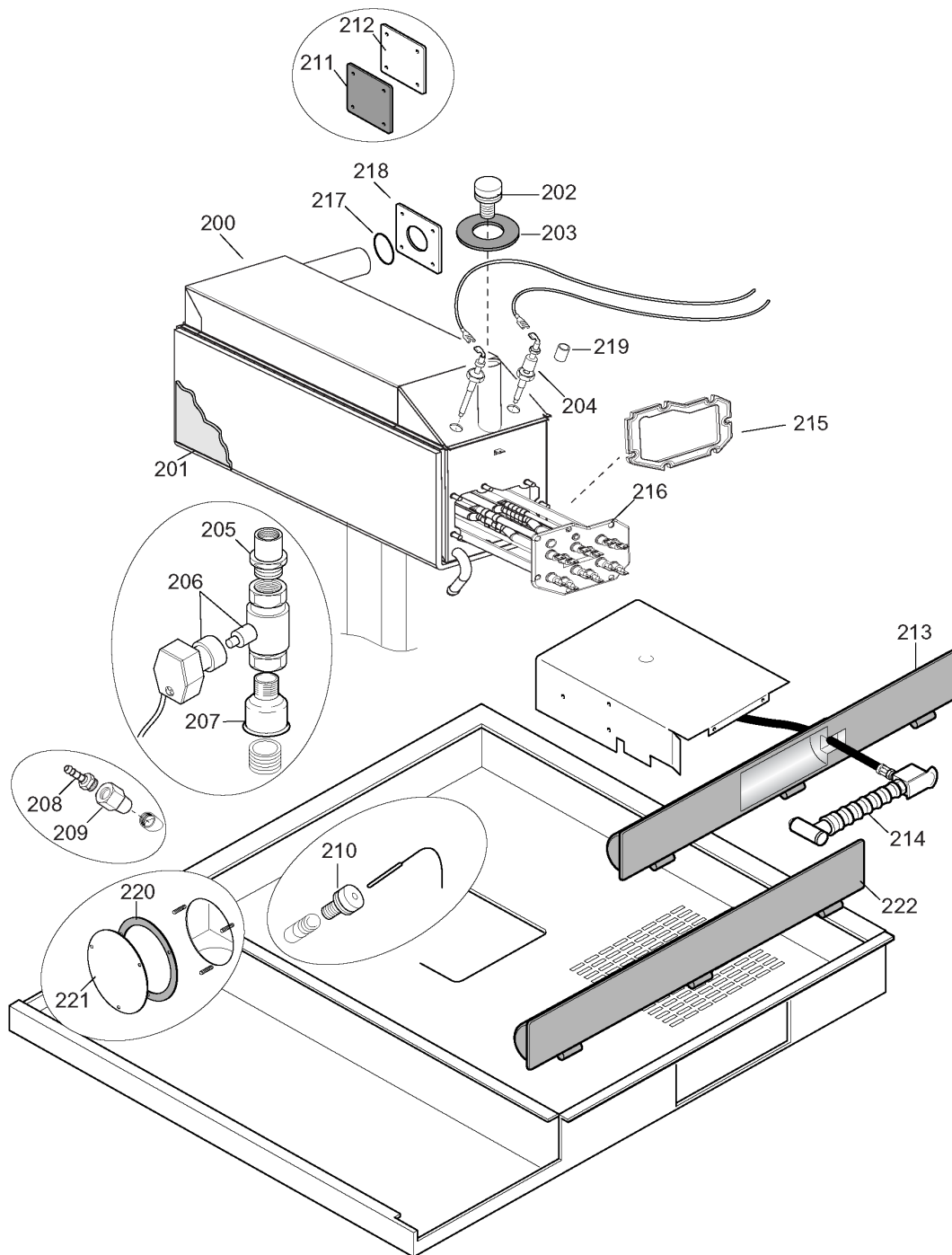
??????	267000									
??????	3-13600	???????? 2	Oven cabinet and door							
.		Alias		S		.				(Euro)
0001	0C4231	0873871102			D			LID; ASSY;AOSQ 6-10 1/1 ELT	Until UP. 04	
0001	0C6177	0530891300						LID; ONE 061-101E	da/from. 05	143,10
0002	0C4232	0870863302						RIGHT SIDE; EST DX AOSQ 061	Until UP. 04	1 028,00
0002	0C6195	0530893200						LEFT SIDE; ONE 061	da/from. 05	116,70
0003	0C4084	0522845504						BACK PANEL; AOSQ 061	Until UP. 04	118,80
0003	0C6189	0530892600						BACK PANEL; ONE 061	da/from. 05	95,41
0004	0C1079	0522854900						LEFT SIDE	Until UP. 04	150,20
0004	0C6195	0530893200						LEFT SIDE; ONE 061	da/from. 05	116,70
0005	0C4892	0831850900		S				FOOT; 2"	a,b,c,d,e,f,g,h,i,l,m,r,s,t,u	11,46
0006	0C4234	0806847803						PLATE; ASSY,UPPER AOSQ		22,43
0007	0C4235	0806861600	0C9574					PLATE; ASSY.LOWER 6-10 AOSQ		
0008	0C6395	0873869802		S				DOOR GLASS; INSIDE; LW 6 AOSQ		80,49
0009	0C6942	0878863807						HEATING ELEMENT; 480V-5500W		134,00
0010	0C4478	0806859202		S				PROFILE; EST. LW06 AOSQ		28,93
0011	0C4473	0574817203						CURVED GLASS; EST.LW061 AOSQ		292,30
0012	0C4088	0543839700		S				GASKET		8,13
0013	006976	0543828001		S				SHOCK ABSORBER		4,33
0014	007007	0806822000		S				HINGE		16,36
0015	0C4089	0835871801	0C4477					LOCKING MECHANISM		
0016	0C4237	0510824200		S				SUPPORT; LW06-10 AOSQ		18,98
0017	0C4090	0548871500		S				HANDLE; LW06-10 AOSQ		13,09
0018	0C4238	0516896400						NUT; FOR CATCH AOSQ		11,72
0019	0C4091	0546822600		S				PLUG; LW06-10 AOSQ		6,76
0020	0C4092	0806859900		S				CATCH		35,42
0021	049627	0699603700						MAGNET		9,82
0022	0C4239	0528869501						BOWL; LW06-101 AOSQ		59,68
0023	0C1496	0543833900		S	A			DOOR GASKET; 475X450MM		120,80
0024	0C4618	0831846702						SUCTION WALL; AOSQ 061 ELT		249,70
0025	0C3423	0518807301						SPRING; SUCTION WALL		19,63
0026	0C1740	0518808600		S				FILTER		13,26
0027	049621	0654600000				+		REED SWITCH		15,00
0028	0C4240	0831831000	0CB214		A			CORE PROBE; AOSQ T.C.MULTIPOINT	a,c,e,g,r,t,u	226,30
0029	0C4822	0518816600						SPRING		18,57
0030	0C4242	0856814000		S				DRIP TRAY; 1/1 AOSQ		19,07
0031	0C4243	0806858800		S				HOSE		33,19
0032	006991	0516855300						NUT		22,43

??????	267000								
??????	3-13600	???????? 2	Oven cabinet and door						
.		Alias		S			.		(Euro)
0034	020997	0214105101						LOCK NUT	1,25
0035	002700	0508838701						WASHER	3,07
0036	002624	0543816300						GASKET; SET 50 PCS	24,16
0037	002623	0516809400						PIPE FITTING	10,04
0038	006995	0830891200	0C6465	S	A	+		LAMBDA PROBE	a,c,e,g,n,p,r,t,u
0039	050670	0214111412						NUT; M20X1,5	a,c,e,g,n,p,r,t,u
0040	050682	0215170716						DOUBLE CONE; ØI=12MM	a,c,e,g,n,p,r,t,u
0041	0C4244	0806857201						FLANGE; FOR LAMBDA SONDE	a,c,e,g,n,p,r,t,u
0042	0C4093	0543838300		S				GASKET	11,09
0044	0C4094	0543841300		S				GASKET	11,61
0046	007005	0543828901		S				GASKET	6,02
0047	006998	0611806001		S	A			MOTOR ;190W 230 V 50/60 HZ; 4/6 POLES	a,b,c,d,e,f,g,h,n,o,p,q,r,s
0048	002873	0543816700						O-RING; ØI=MM.28,17X3,53	2,43
0049	002699	0516808902						BEARING; FOR MOTOR SHAFT	20,50
0050	0C4138	0538815400		S				FLANGE	5,81
0051	007000	0830892400	0C7029					FAN BLADE	
0052	006984	0617823301	0C5362		A			HEATING ELEMENT; 3,2 KW 400V	a,b,g,h,i,l,m,o,r,s,p,q
0053	002689	0543816501						HEATING ELEMENT GASKET	26,09
0054	006253	0527834500		S				ANGLE	9,19
0055	006256	0503891801						BLADE; FOR FIXING HEATING ELEMENT	15,20
0056	0C3830	0527833700						SUPPORT	14,58
0058	0C6296	0516892000						PIVOT; FOR CORE PROBE	10,77



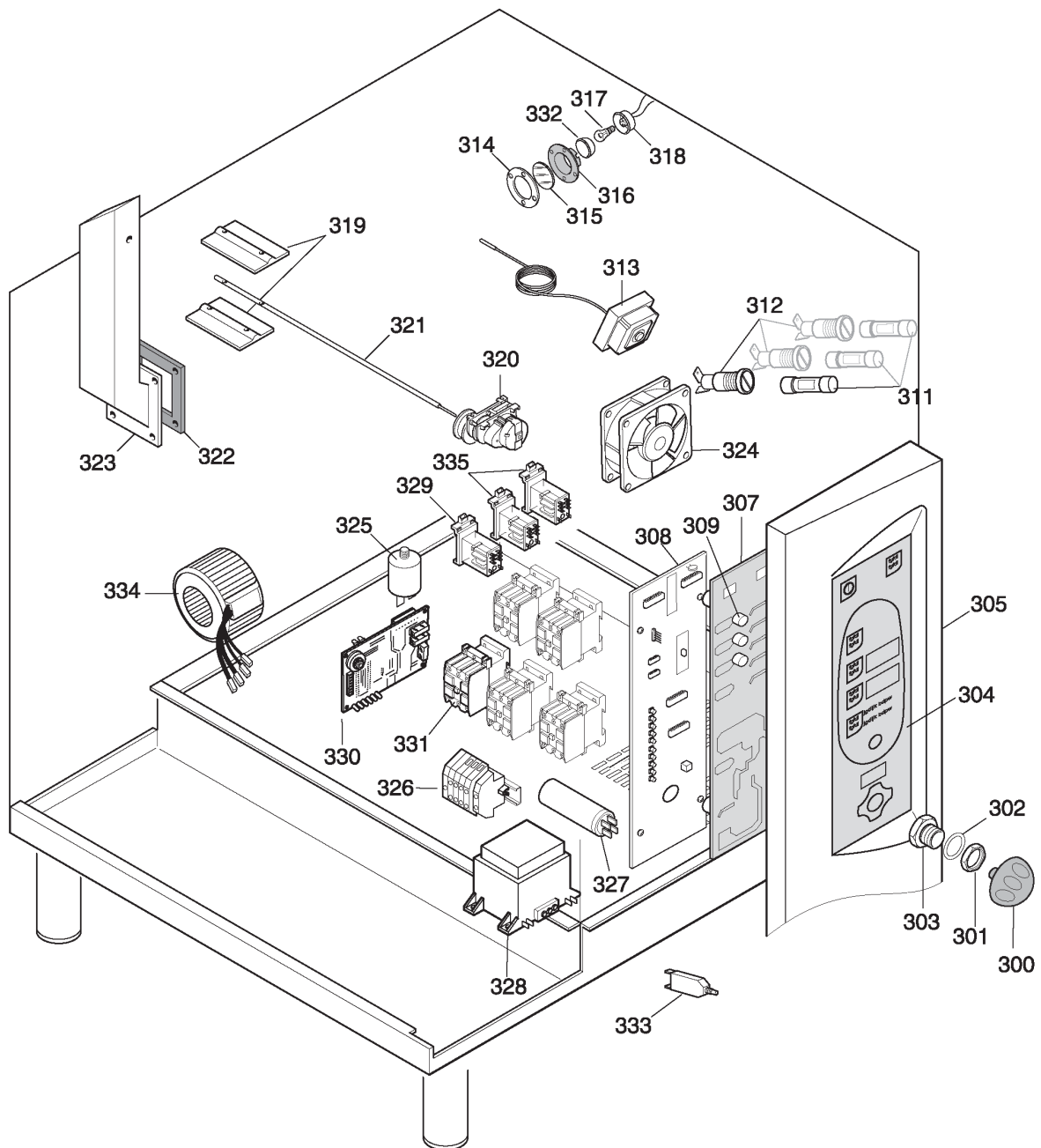
??????	267000									
??????	3-13600		???????? 3				Water system			
.		Alias		S			.		(Euro)	
0100	OC1934	0696805600		S	A			SOLENOID VALVE; 230V 50/60HZ;3 WAY;180°	a,b,c,d,e,f,g,h,n,o,p,q,r,s,t,u	62,10
0100	OC5516	0696808300		S	A			WATER SOLENOID VALVE;2 WAYS/180 2,5L/MIN	a,b,c,d,e,f,g,h,n,o,p,q,r,s,t,u	23,35
0101	OC4096	0543840600		S				FILTER GASKET		1,27
0102	OC2312	0549801800		S				NONRETURN VALVE		5,86
0103	OC2313	0516879400		S				PIPE FITTING	a,c,e,g,i,l,m,n,p,r,s,t,	29,54
0104	000000									
0105	OC1155	0831811400		S				FILTER	a,c,e,g,i,l,m,n,p,r,s,t,	15,97
0106	OC4198	0516896101		S				RUBBER HOLDER; G1/4" DIA 4 MM	a,c,e,g,i,l,m,n,p,r,s,t,	13,30
0107	OC1117	0544809000		S				NONRETURN VALVE	a,c,e,g,i,l,m,n,p,r,s,t,	6,90
0108	OC1116	0516871900		S				FITTING; RINSE AND DETERGENT PUMPS	a,c,e,g,i,l,m,n,p,r,s,t,	10,29
0109	OC1935	0543832300		S				O-RING; ØI=6,75X1,78 MM	a,c,e,g,i,l,m,n,p,r,s,t,	1,02
0110	OC2341	0680801201	OCA120					PUMP	a,c,e,g,i,l,m,n,p,r,s	
0111	OC1933	0696805500		S	A			SOLENOID VALVE; 90°GR 230V 50HZ; 1WAY	a,c,e,g,i,l,m,n,p,r,s,t,u - (Until UP. 04)	16,22
0112	OC1148	0696804700		S	A			SOLENOID VALVE; 1/2" 230V 50/60HZ	a,c,e,g,i,l,m,n,p,r,s,t,u - (Until UP. 04)	66,22
0113	OC1149	0544808600		S				END PIECE	a,c,e,g,i,l,m,n,p,r,s,t,u - (Until UP. 04)	11,35
0114	OC1124	0544808500		S				T-FITTING	a,c,e,g,i,l,m,n,p,r,s,t,u - (Until UP. 04)	18,68
0115	OC1126	0646813000		S	A			WATER PRESSURE SWITCH; 0,2 BAR	a,c,e,g,i,l,m,n,p,r,s,t,u - (Until UP. 04)	35,63
0116	OC4246	0806864300		S		+		WASH MANIFOLD ASSY; AOSQ 061-101	a,c,e,g,i,l,m,n,p,r,	33,70
0117	007009	0806818201		S				SUPPORT	a,c,e,g,i,l,m,n,p,r,s,t,u - (Until UP. 04)	94,09
0117	OC6031	0806871100		S				DUCT; ASSY	a,c,e,g,i,l,m,n,p,r,	41,21
0118	007074	0543828300		S				O-RING; ØI=29,75X3,53 MM	a,c,e,g,i,l,m,n,p,r,s,t,u - (Until UP. 04)	3,57
0118	OC4201	0543841400		S				GASKET; 17X22X1,5	a,c,e,g,i,l,m,n,p,r,	2,53
0119	OC4467	0516898301		S				BUSHING; FCS 6	a,c,e,g,i,l,m,n,p,r,	10,77
0119	OC5293	0805400000		S		Kit		WASHING JET GUIDE; KIT	a,c,e,g,i,l,m,n,p,r,s,t,u - (Until UP. 04)	46,59
0120	OC4202	0878400900		S				LOCK NUT; INOX M16X1.5X6H	a,c,e,g,i,l,m,n,p,r,	5,33
0121	OC5503	0806873900	OC8317					WASH ARM; ASSY; L=422MM	a,c,e,g,i,l,m,n,p,r,s,t,	
0122	007026	0518807100		S				SPRING	a,c,e,g,i,l,m,n,p,r,s,t,	14,25
0123	OC1151	0544808100		S				PLUG BLU	a,c,e,g,i,l,m,n,p,r,s,t,	3,08
0124	OC1152	0544808200		S				RED CAP	a,c,e,g,i,l,m,n,p,r,s,t,	2,76
0125	OC4426	0873857102		S				RESERVOIR; ASSY	a,c,e,g,i,l,m,n,p,r,s,t,	52,07
0126	OC1154	0544808900		S				WALL RED	a,c,e,g,i,l,m,n,p,r,s,t,	4,13
0127	OC1153	0544808400		S				WALL BLU	a,c,e,g,i,l,m,n,p,r,s,t,	4,13
0129	007012	0H22982600		S				PIPE	a,b,c,d,e,f,g,h,n,o,p,q,r,s,t,u	29,64
0131	OC6370	0831857200		S				MANIFOLD; ASSY	a,c,e,g,n,p,r,s,t,u	42,43
0132	OC6374	0696808600			D	PDD2012-17		WATER DISTRIBUTOR; 2 OUTPUP; 230V 50/60H	a,c,e,g,i,l,m,n,p,r,s	100,30
0133	OC6222	0546825100		S				SAFETY DEVICE	a,c,e,g,i,l,m,n,p,r,s,t,u	6,26

??????	267000									
??????	3-13600		???????? 3				Water system			
.		Alias		S			.			(Euro)
0134	0C6217	0646817200		S	A			PRESSURE SWITCH; GP600	a,c,e,g,i,l,m,n,p,r,s,t,u	33,50
0135	0C5426	0513805000		S				STIRRUP	a,c,e,g,i,l,m,n,p,r,s,t,u	14,15
0136	0C6201	0546824100		S				PIVOT	a,c,e,g,i,l,m,n,p,r,s,t,u	1,02
0137	0C6375			S		Kit		FLOW REDUCER; KIT 4PCS	a,c,e,g,i,l,m,n,p,r,s,t,u	11,67
0138	061303			S				RING	a,c,e,g,i,l,m,n,p,r,s,t,u	1,02
0139	061303	0219035015		S				RING	a,c,e,g,i,l,m,n,p,r,s,t,u	1,02

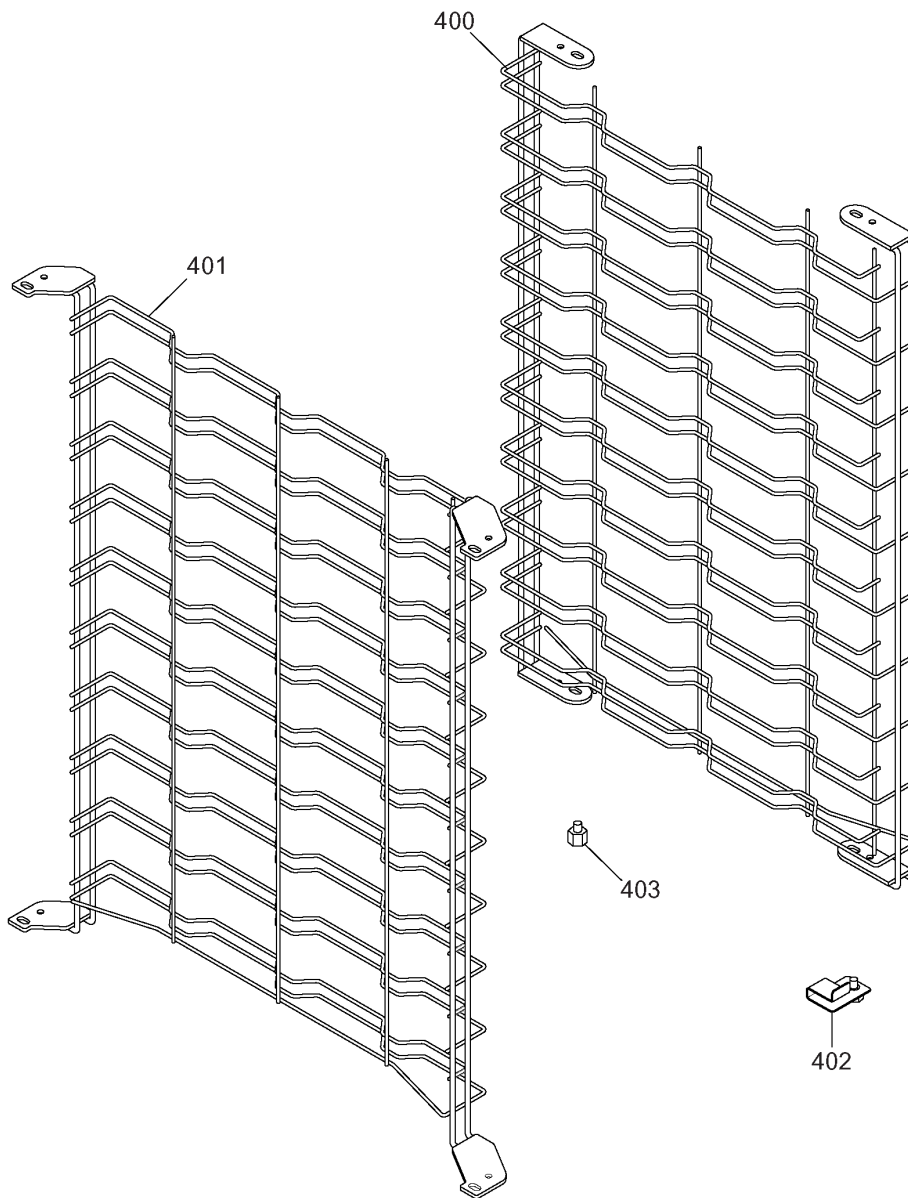




??????	267000									
??????	3-13600		???????? 4	Boiler						
.		Alias		S			.			(Euro)
0200	0C4139	0831841100	0C5374		A	+		BOILER; ASSY; AOSQ 6-10	a,b,c,d,e,f,g,h,n,o,p,q,t,u - (see code 216)	
0200	0C5848	0831854700	0C9662					BOILER; ASSY; ELT ONE 6-101	a,b,c,d,e,f,g,h,n,o,p,q,t,u - (see code 216)	
0201	0C5836	0560806900		S				BOILER INSULATION; ELT ONE 061-101	(see code 200)	107,60
0201	0C5836	0569806900		S				BOILER INSULATION; ELT ONE 061-101	a,b,c,d,e,f,g,h,n,o,p,q,t,u - (see code 200)	107,60
0202	002692	0543816601						CAP; DESCALING LOAD IN THE BOILER	a,b,c,d,e,f,g,h,n,o,p,q,r,s,t,u	6,76
0203	002634	0543817500	0C7016					BUFFER	a,b,c,d,e,f,g,h,n,o,p,q,r,s,t,u	
0204	007033	0830890500		S	A	+		LEVEL PROBE; BOILER	a,b,c,d,e,f,g,h,n,o,p,q,r,s,t,u	32,99
0205	007117	0516809501		S				CONNECTION	a,b,c,d,e,f,g,h,n,o,p,q,r,s,t,u	15,81
0206	0C0882	0696804201	0CB250	S	A			MOTOR-OPERATED VALVE; 3/4" 230V 50/60HZ	a,b,c,d,e,f,g,h,n,o,p,q,r,s,t,u	144,10
0207	0C3847	0511820300		S				REDUCING SLEEVE; 1"1/4F-3/4"M	a,b,c,d,e,f,g,h,n,o,p,q,r,s,t,u	17,11
0208	0C1626	0516872000		S				RUBBER HOLDER	a,b,c,d,e,f,g,h,n,o,p,q,r,s,t,u	7,32
0209	0C4099	0516879600		S				NOZZLE; 1/4"FD3.5-3/8"M	a,b,c,d,e,f,g,h,n,o,p,q,r,s,t,u	18,88
0210	0C4872	0543842600		S				PLUG; FOR SENSOR	a,c,e,g,n,p,r,t,u	7,29
0213	0C4532	0546815103						FRONT PANEL; LOWER; 6-10 1/1 AOSQ	a,c,e,g,n,p,r,t,u	92,16
0214	0C4248	0873881200		S				SHOWER UNIT; AOSQ	a,c,e,g,n,p,r,t,u	257,80
0215	007029	0543828800		S				O-RING; ØI=56,52X5,34MM	a,b,c,d,e,f,g,h,n,o,p,q,r,s,t,u - (up to s/n 917...)	6,58
0215	0C5834	0543844800		S				GASKET; BOILER HEATING ELEMENT	a,b,c,d,e,f,g,h,n,o,p,q,r,s,t,u - (From s/n 917...)	19,69
0216	007030	0617824101	0C5381	S	A	+		HEATING ELEMENT; 9KW 400V	a,b,g,h,p,q - (up to s/n 917...)	
0216	0C5839	0617836300		S	A			HEATING ELEMENT; 400V-9000W	a,b,g,h,p,q - (From s/n 917...)	171,50
0217	002874	0527898600						O-RING; ØI=31,34X3,53 MM		3,48
0218	0C4821	0527898600		S				FLANGE	a,b,c,d,e,f,g,h,n,o,p,q,r,s,t,u	7,39
0219	055347	0515857001						SPACER; H=11,5MM	a,b,c,d,e,f,g,h,n,o,p,q,r,s,t,u	5,81
0220	0C3442	0543839600	0C7033					GASKET	a,c,e,g,n,p,r,t,u	
0221	0C3443	0J89061403						WASHER; FOR DOOR	a,c,e,g,n,p,r,t,u	15,84



??????	267000										
??????	3-13600		???????? 5				Electrical components				
.		Alias		S			.			(Euro)	
0300	0C4875	0548872200		S					KNOB; BLACK	5,29	
0301	051263	0214114900							LOCK NUT	3,80	
0302	002727	0508836400							WASHER	1,02	
0303	002662	0516807301							BUSH	6,02	
0304	0C5614	0675838204							ADHESIVE MEMBRANE	a,c,e,g,n,p,r,t,u	62,52
0305	0C4249	0873879301							CONTROL PANEL; ASSY, LW061 LIV.A AOSQ	a,c,e,g,n,p,r,t,u	340,00
0307	0C0043	0675837902		S	A				USER INTERFACE BOARD; COPUI20-A; LEV.A	a,c,g,n,p,r,t,u	604,00
0308	0C0042	0675837808		S	A				POWER BOARD; COP20-A; LIV A/B/C LW	a,b,c,d,e,f,g,h,n,o,p,q,r,s,t,u	588,00
0309	002670	0548836902							EXTENSION; L=6,95MM		1,02
0309	0C5833	0546824600		S					BUTTON EXTENSION; L=7,4MM	from s/n 911...	1,02
0311	058771	0652800901								a,b,c,d,e,f,g,h,i,l,m,r,s	
0311	0C2301	0652803900		S					FUSE; OMEGA 800MA (COD. ST22180)	a,b,c,d,e,f,g,h,i,l,m,r,s	1,27
0312	0F0031	0652802100	0cb128						FUSE HOLDER	a,b,c,d,e,f,g,h,i,l,m,r,s,t,u	16,08
0313	007042	0646812200		S	A				SAFETY THERMOSTAT; 357°C	a,b,c,d,e,f,g,h,i,l,m,n,o,p,q,r,s	93,15
0314	002628	0508840801							FLANGE		4,01
0315	002627	0574804900					+		LAMP GLASS		10,24
0316	002626	0543842000					+		LAMP HOLDER GASKET		15,39
0317	0C4396	0660808300	0C9877		A				HALOGEN LAMP; 12V-10W 300GR C.		
0318	007055	0660806401		S					LAMP HOLDER		21,72
0319	007081	0508896801		S					JALOUSIE		18,98
0320	0C5501	0680802300	0C0883						GEARMOTOR; 230V-50HZ	a,b,c,d,e,f,g,h,i,l,m,n,o,p,q,r,s	
0321	000000										
0322	007053	0543828600		S					GASKET		19,54
0323	0C4252	0831828400							PIPE; FOR AIR		69,02
0324	0C4106	0624811000	0CB143		A				FAN; 220/240V 50/60HZ		37,76
0325	049303	0694605400							RADIO INTERFERENCE FILTER; 250V 50/60HZ	a,b,c,d,e,f,g,h,i,l,m,n,o,p,q,r,s	23,55
0326	058875	0639805201							TERMINAL BOARD		22,23
0327	047541	0694604400							CAPACITOR; 12,5MF		12,31
0328	0C4460	0624811600	0C6400						TRANSFORMER; 230V 12/24V 100VA	a,b,c,d,g,h,i,l,m,r,s	
0329	058557	0648803001	058857						RELAY	a,b,c,d,e,f,g,h,n,o,p,q,r,s	
0330	007047	0624807002		S	A				POWER SUPPLY BOARD; LAMBDA PROBE	a,c,e,g,n,p,r,t,u	145,10
0331	088447	0648807300	087913						LAMP BODY	a,b,g,h,i,l,n,o,p,q,r,s,t,u	
0332	0C4459	0509803900		S					LAMP CAP		5,91



??????	267000									
??????	3-13600	???????? 6	Tray support							
.		Alias		S			.		(Euro)	
0400	0C5018	0831850400						CHROME GRID; DX ONE 061	a,b,c,d,e,f,i,m,n,o,p,q,r,s,t,u	94,29
0401	0C5019	0831850500						CHROME GRID	a,b,c,d,e,f,i,m,n,o,p,q,r,s,t,u	98,05
0402	0C4961	0806872800		S				SUPPORT		27,51
0403	0C5620	0511828100		S				BAKING PAN SUPPORT		11,41