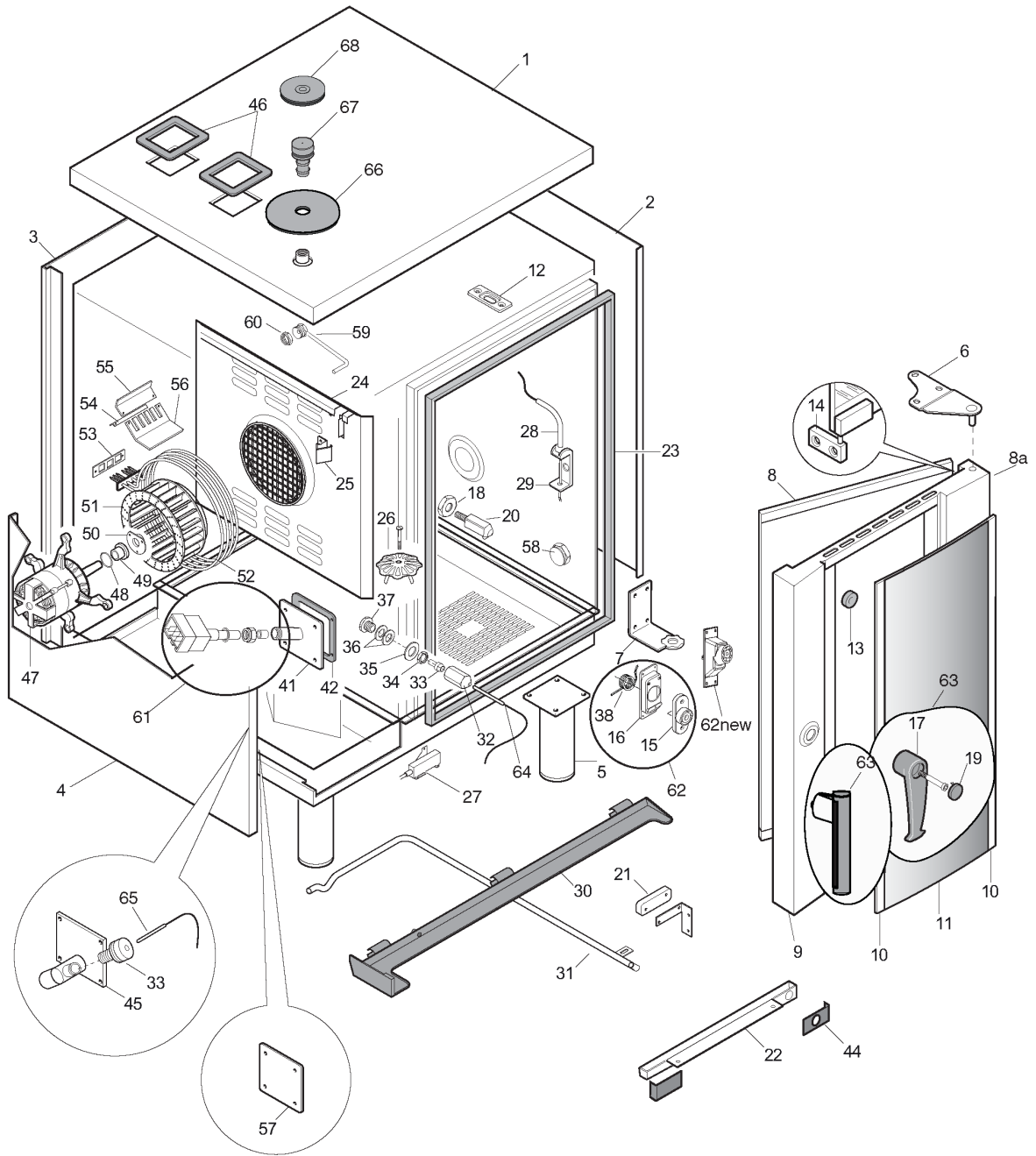


PNC	Model	Ref	Group	Level	Page	Notes
<b>190276</b>	<b>AOS061ECN2</b>	<b>p1</b>	<b>AOS</b>	<b>Level C</b>	<b>2...13</b>	<b>230V 3N Marine</b>
236200	FCZ061EKA	U	FCZ	Level K	2...13	400V 3N 50Hz
<b>236208</b>	<b>FCZ061EKAS</b>	<b>q1</b>	<b>FCZ</b>	<b>Level K</b>	<b>2...13</b>	<b>400V 3N 50Hz</b>
236220	FCZ061EKN	V	FCZ	Level K	2...13	230V 3N
237200	FCZ061ETA	a	FCZ	Touch	2...13	400V 3N 50Hz
237210	FCZ061ETH	b	FCZ	Touch	2...13	400V 3N 50Hz P80
237220	FCZ061ETN	c	FCZ	Touch	2...13	230V 3N
237300	FCZ061ETK	i1	FCZ	Touch	2...13	400V 3N 50Hz UK version
238200	FCZ061EBA2	d	FCZ	Level B	2...13	400V 3N 50Hz
238210	FCZ061EBH2	e	FCZ	Level B	2...13	400V 3N 50Hz P80
238220	FCZ061EBN2	f	FCZ	Level B	2...13	230V 3N
238230	FCZ061EBC2	g	FCZ	Level B	2...13	200V 3 60Hz Japan
<b>238300</b>	<b>FCZ061EBK2</b>	<b>r1</b>	<b>FCZ</b>	<b>Level B</b>	<b>2...13</b>	<b>400V 3N 50Hz</b>
239200	FCZ061ECA2	h	FCZ	Level C	2...13	400V 3N 50Hz
239210	FCZ061ECH2	m	FCZ	Level C	2...13	400V 3N 50Hz P80 model
239220	FCZ061ECN2	n	FCZ	Level C	2...13	230V 3N
239340	FCZ061ECAS	g1	FCZ	Level C	2...13	400V 3N 50/60 Hz
266200	AOS061EKA1	R	AOS	Level K	2...13	400V 3N 50Hz
266220	AOS061EKN1	S	AOS	Level K	2...13	230V 3N
266280	AOS061EKM1	T	AOS	Level K	2...13	208V 3 USA
266320	AOS061EKV1	f1	AOS	Level K	2...13	480 3 60HZ USA
266350	AOS061EKR1	a1	AOS	Level K	2...13	400V 3N 50/60HZ AUS
267011	AOS061ETJS	o	AOS	Touch	2...13	400V 3N 50Hz
<b>267060</b>	<b>AOS061ETAS</b>	<b>o</b>	<b>AOS</b>	<b>Touch</b>	<b>2...13</b>	<b>400V 3N 50Hz</b>
267200	AOS061ETA1	o	AOS	Touch	2...13	400V 3N 50Hz
267210	AOS061ETH1	p	AOS	Touch	2...13	400V 3N 50Hz P80 model
267220	AOS061ETN1	q	AOS	Touch	2...13	230V 3N
267230	AOS061ETC1	r	AOS	Touch	2...13	200V 3 60Hz Japan
267240	AOS061ETE1	s	AOS	Touch	2...13	440V 3 Marine
267250	AOS061ETF1	t	AOS	Touch	2...13	400V 3 Marine
267280	AOS061ETM1	u	AOS	Touch	2...13	208V 3 USA
267300	AOS061ETK1	z	AOS	Touch	2...13	400V 3N UK version
267320	AOS061ETV1	w	AOS	Touch	2...13	480V 3 USA
267350	AOS061ETR1	b1	AOS	Touch	2...13	400V 3N 50/60HZ AUS
268001	AOS061EBS	o1	AOS	Level B	2...13	400V 3N 50/60HZ
268011	AOS061EBS	o	AOS	Level B	2...13	400V 3N 50/60HZ
268200	AOS061EBA2	B	AOS	Level B	2...13	400V 3N 50HZ

268210	AOS061EBH2	C	AOS	Level B	2...13	400V 3N 50Hz P80 model
268220	AOS061EBN2	D	AOS	Level B	2...13	230V 3N
268230	AOS061EBC2	E	AOS	Level B	2...13	200V 3 60Hz Japan
268240	AOS061EBE2	F	AOS	Level B	2...13	440V 3 Marine
268250	AOS061EBF2	G	AOS	Level B	2...13	400V 3 Marine
268260	AOS061EB12	l1	AOS	Level B	2...13	480V 3 Marine
268300	AOS061EBK2	H	AOS	Level B	2...13	400V 3N UK version
268350	AOS061EBR2	c1	AOS	Level B	2...13	400V 3N 50/60HZ AUS
269200	AOS061ECA2	L	AOS	Level C	2...13	400V 3N 50hz
269210	AOS061ECH2	M	AOS	Level C	2...13	400V 3N 50Hz P80 model
269220	AOS061ECN2	N	AOS	Level C	2...13	230V 3N
269240	AOS061ECE2	m1	AOS	Level C	2...13	440V 3 Marine
269250	AOS061ECF2	n1	AOS	Level C	2...13	400V 3 Marine
269280	AOS061ECM1	Q	AOS	Level C	2...13	208V 3 USA
269300	AOS061ECK2	O	AOS	Level C	2...13	400V 3N UK version
269320	AOS061ECV1	e1	AOS	Level C	2...13	480 3 60HZ USA
269330	AOS061ECY2	P	AOS	Level C	2...13	400V 3N Bakery
269340	AOS061ECAS	h1	AOS	Level C	2...13	400V 3N
269350	AOS061ECR1	d1	AOS	Level C	2...13	400V 3N 50/60HZ AUS

Pag	Index	Indice	Note
3	Oven cabinet and door.	Cella forno e porta	
4	Water system	Impianto idraulico	
5	Boiler	Boiler	
6	Electrical components	Componenti elettrici	
7	Accessories	Accessori	
8...13	Spare parts list	Lista ricambi	

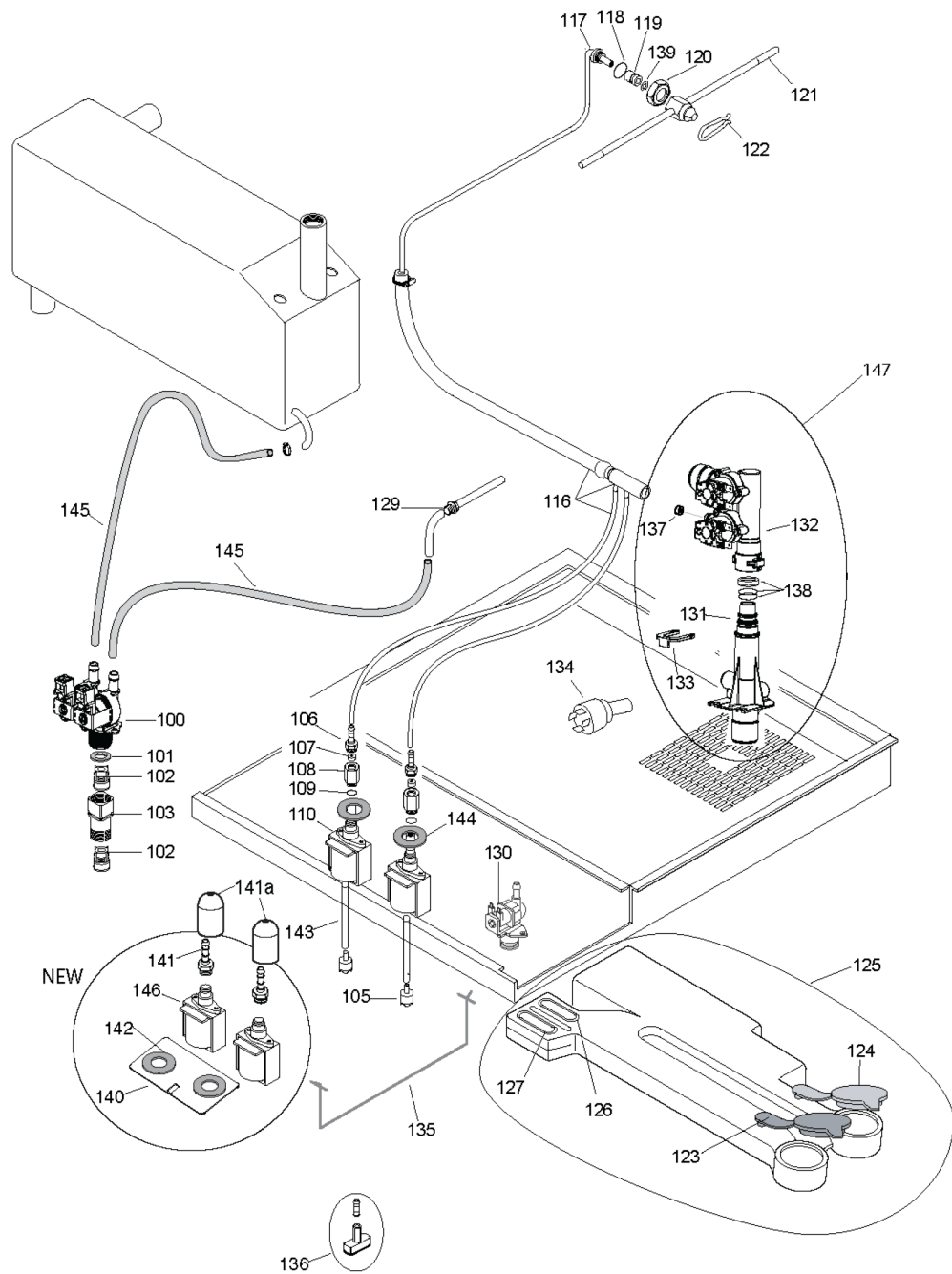
Brand/Marchio: All  
Factory code: 9PDD



??????	268200									
??????	875400T00	???????? 3	Oven cabinet and door							
.		Alias		S			.			(Euro)
0001	0C6177	0530891301						LID; ONE 061-101E		147,25
0002	0C6173	0530890801						RIGHT SIDE; ONE 061		126,36
0003	0C6189	0530892600						BACK PANEL; ONE 061		98,18
0003	0C6193	0530893000			D			BACK PANEL; ONE 061 MARINE	for Marine models	139,94
0004	0C6195	0530893200						LEFT SIDE; ONE 061		120,08
0005	0C4233	0831842202		S				FOOT; DIA.44,5; INOX	up to 2012/18 Up to 2007/52	12,72
0005	0C4823	0806872300						ADJUSTABLE FOOT; 2"INOX MARIN; 135-210MM	from 2012/19 for Marine models	41,19
0005	0C4892	0831850900						FOOT; 2"	From 2008/01	11,79
0006	0C4234	0806847803						PLATE; ASSY,UPPER AOSQ		23,08
0007	0C4235	0806861600	0C9574					PLATE; ASSY.LOWER 6-10 AOSQ	up to 3341...	
0007	0C9574	0510400000		S				LOWER HINGE	from 3351...	37,91
0008	0C6395	0873869802		S				DOOR GLASS; INSIDE; LW 6 AOSQ		82,82
0009	0C6051	0518806205						SPRING; FOR GLASS		8,91
0009	0C6600	0879400404						DOOR ASSEMBLY		700,75
0009	0C6605	0879400A04						DOOR ASSEMBLY	for Marine models	700,75
0010	0C4478	0806859202		S				PROFILE; EST. LW06 AOSQ		29,77
0011	0C4942	0574818301						DOOR GLASS; EXT; ONE 061	for Group FCZ	80,63
0011	0C6558	0574400100						DOOR GLASS; 644X421MM; EXTERNAL	for Group AOS	104,44
0012	0C4088	0543839700		S				GASKET		8,37
0013	006976	0543828001		S				SHOCK ABSORBER		4,46
0014	007007	0806822000		S				HINGE		16,83
0015	0C4089	0835871801	0C4477					LOCKING MECHANISM		
0016	0C4237	0510824200		S				SUPPORT; LW06-10 AOSQ		19,53
0017	0C4090	0548871501		S				HANDLE; LW06-10 AOSQ		13,47
0018	0C4238	0516896401	0CA756					NUT; FOR CATCH AOSQ		
0019	0C4091	0546822600		S				PLUG; LW06-10 AOSQ		6,96
0020	0C4092	0806859900		S				CATCH		36,45
0021	049627	0699603700		S				MAGNET		10,31
0022	0C4239	0528869501						BOWL; LW06-101 AOSQ		61,41
0023	003926	0147098067	0CB101					SILICONE SEALANT - RED RTV 106; 310 ML		
0023	0C1496	0543833900		S	A			DOOR GASKET; 475X450MM		124,30
0024	0C4618	0831846702						SUCTION WALL; AOSQ 061 ELT		256,94
0025	0C3423	0518807301		S				SPRING; SUCTION WALL		20,20
0026	0C1740	0518808600		S				FILTER		13,64
0027	049621	0654600000		S		+		REED SWITCH		15,45
0028	0C4240	0831831000	0CB214		A			CORE PROBE; AOSQ T.C.MULTIPOINT	for TOUCH Level	

??????	268200									
??????	875400T00		???????? 3				Oven cabinet and door			
.		Alias		S			.			(Euro)
0028	0C4241	0831830700	0CB213	S	A			CORE PROBE; SINGLE POINT AOSQ	from 7401 for Level B , C e K	132,64
0028	0CB213	0830407501		S	A			CORE PROBE; SINGLEPOINT	up to 7391 for Level B , C e K	138,92
0028	0CB214	0830407601		S	A			CORE PROBE; MULTIPOINT	up to 7391 for TOUCH Level	231,53
0029	0C4822	0518816600						SPRING	from 7401	19,11
0030	0C4242	0856814000		S				DRIP TRAY; 1/1 AOSQ		19,62
0031	0C4243	0806858800						HOSE		34,15
0032	006991	0516855300						NUT		23,08
0033	0C4872	0543842600		S				PLUG; FOR SENSOR	for Level TOUCH e B	7,50
0034	020997	0214105101		S				LOCK NUT		1,29
0035	002700	0508838701		S				WASHER		3,16
0036	002624	0543816300				Kit		GASKET; SET 50 PCS		24,86
0037	002623	0516809400		S				PIPE FITTING		10,33
0038	0C8561	0518818000		S				SPIRAL SPRING		20,58
0041	0C4244	0806857201						FLANGE; FOR LAMBDA SONDE	for TOUCH Level	41,25
0042	0C4093	0543838300		S				GASKET		11,41
0044	0C4094	0543841300		S				GASKET		11,95
0045	0C6351	0806873000						TUBE; WITH FLANGE	for Level B	45,33
0046	007005	0543828901		S				GASKET		6,19
0047	006998	0611806001		S	A			MOTOR ;190W 230 V 50/60 HZ; 4/6 POLES	for Level TOUCH, B e K	235,02
0047	0C1474	0611807300						MOTOR; 190W 230V 50/60 HZ 4/6 P; USA	for 208V,240V	233,99
0047	0C5287	0611809000		S	A			MOTOR; 1F 4P 190W 200-240V	for Level C	209,92
0047	0C6936	0611400100						MOTOR; 480V-190W	for 480V	261,16
0048	002873	0543816700		S				O-RING; ØI=MM.28,17X3,53		2,50
0049	002699	0516808902		S				BEARING; FOR MOTOR SHAFT		21,09
0050	0C4138	0538815400		S				FLANGE		5,98
0051	0C7029	0835400C00		S	A			FAN BLADE		182,75
0052	006984	0617823301	0C5362		A			HEATING ELEMENT; 3,2 KW 400V	for 400V models - up to 138...	
0052	006986	0617826300	0C5363					HEATING ELEMENT; 3,2 KW 230V	for 230V models	
0052	0C0947	0617826400	0C7053					HEATING ELEMENT; 3,2KW 440V	for 440V models - up to 115	
0052	0C1476	0617829100						HEATING ELEMENT; 3,2KW UL ; USA	for 208V USA	134,70
0052	0C1498	0617829700						HEATING ELEMENT; 3,2KW 240V; USA	for 240V USA	138,92
0052	0C6025	0617838800	0C6984		D			HEATING ELEMENT; 200V-3200W; W/PIVOT	for 200V models	
0052	0C6500	0617400700	0C5362		A	+		HEATING ELEMENT; 400V-3200W	for 400V models - from 139...	
0052	0C6943	0617400500						HEATING ELEMENT; 480V-3200W	for 480V USA	135,83
0052	0C7053	0617400P00			A			HEATING ELEMENT; 440V-3200W	for 440V models - from 116	104,44
0052	0CA331	0617400501						HEATING ELEMENT; 480V 3200W; USA VERSION	for 480V marine	130,27

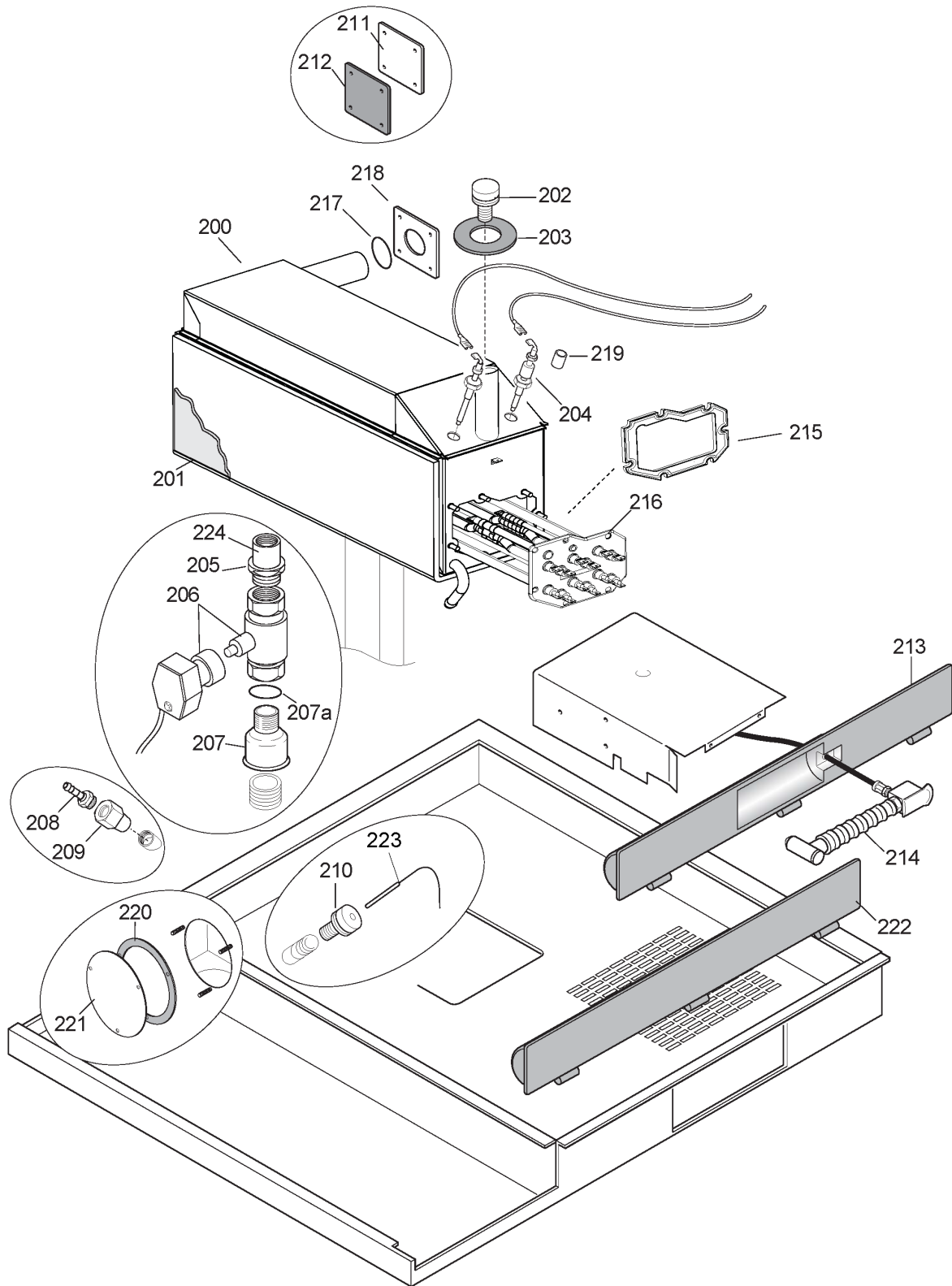
??????	268200									
??????	875400T00		???????? 3				Oven cabinet and door			
.		Alias		S			.			(Euro)
0053	002689	0543816501		S				HEATING ELEMENT GASKET		26,85
0054	007002	0527834500						ANGLE		11,06
0055	006256	0503891801		S				BLADE; FOR FIXING HEATING ELEMENT		15,64
0056	007001	0527834400						SUPPORT		9,46
0057	0C4857	0527898900						PLAQUE	for Level C e K	6,51
0058	0C6296	0516892000						PIVOT; FOR CORE PROBE		11,08
0059	0C4974	0856828300		S				WATER PIPE; ONE 061 LIV.C	for Level C e K	43,56
0060	0C6228	0516887101		S				PIPE FITTING	for Level C e K	19,43
0061	0C6465				A	Kit	PDD2011-10	LAMBDA PROBE; KIT	for level Touch	178,63
0062	0CA733	835402M00		S				DOOR CLOSING ASSY; 6-10	From 6091...	160,52
0062	0CA757			S		Kit		DOOR CLOSING ASSY; KIT	Up to 6081...	160,52
0063	0C6569	0830400500		S				DOOR HANDLE	for AOS Group	58,28
0063	0C6572	0830400600		S				HANDLE; ASSY	for FCZ Group	18,14
0064	0C7028	0830400N00		S	A			SENSOR	Up to 2012/43	43,34
0065	0C6539	0830899101		S	A			THERMOCOUPLE PROBE; L=1100MM; STRAIGHT	From 2012/44	41,36
0066	0C7016	0543400900		S				GASKET; ØE=74MM; ØI=17MM; H=12,5MM		4,13
0067	002692	0543816601		S				CAP; DESCALING LOAD IN THE BOILER		6,96
0068	0C4965	0543843201		S				BUFFER		12,39
008a	0C6575	0850400N00						DOOR CHASSIS; LW061		395,86



??????	268200									
??????	875400T00	???????? 4	Water system							
.		Alias		S			.			(Euro)
0100	0C5385	0835872300		S				HOSE CLAMP; DN 16X8		1,85
0100	0C5516	0696808300		S	A			WATER SOLENOID VALVE;2 WAYS/180 2,5L/MIN	for Level TOUCH e B	24,03
0100	0C5829	0544819400	0C4832					TUBE; BLU; 10X17; BY METER		
0101	0C4096	0543840600		S				FILTER GASKET		1,31
0102	0C2312	0549801800		S				NONRETURN VALVE		6,03
0103	0C2313	0516879400		S				PIPE FITTING	for Level TOUCH e B	30,40
0105	0C1155	0831811400		S				FILTER		16,43
0106	0C4198	0516896101		S				RUBBER HOLDER; G1/4" DIA 4 MM		13,69
0107	0C1117	0544809000		S				NONRETURN VALVE		7,10
0108	0C1116	0516871900		S				FITTING; RINSE AND DETERGENT PUMPS		10,59
0109	0C1935	0543832300		S				O-RING; ØI=6,75X1,78 MM		1,05
0110	0C2309			S				TUBE; BY METER		6,85
0110	0C2341	0680801201	0CA120					PUMP		
0110	0C2342	0680801301		S	A			ELECTRIC PUMP; 120V 60HZ 32W	for USA models	62,14
0116	0C6202	0805400200		S				MANIFOLD; ASSY; C.S.ONE 061-101		33,63
0117	0C6031	0806871100		S				DUCT; ASSY		42,41
0118	0C4201	0543841400		S				GASKET; 17X22X1,5		2,60
0119	0C4467	0516898301		S				BUSHING; FCS 6		11,08
0120	0C4202	0878400900		S				LOCK NUT; INOX M16X1.5X6H		5,48
0121	0C5503	0806873900	0C8317					WASH ARM; ASSY; L=422MM		
0122	007026	0518807100		S				SPRING		14,66
0123	0C1151	0544808100		S				PLUG BLU		3,17
0124	0C1152	0544808200		S				RED CAP		2,84
0125	0C4426	0873857102		S				RESERVOIR; ASSY		53,58
0126	0C1154	0544808900		S				WALL RED		4,25
0127	0C1153	0544808400		S				WALL BLU		4,25
0129	007012	0H22982600		S				PIPE	for Level TOUCH e B	30,50
0129	0C4977	0856828600		S				WATER PIPE; ONE 061-101-201 LIV. C	for Level C e K	29,45
0130	0C5515	0696808200		S	A			WATER SOLENOID VALVE; 1 VIA/180°	for Level C e K	16,32
0131	0C6370	0831857200		S				MANIFOLD; ASSY		43,66
0132	000000	0696400700							for Level TOUCH, B ,K	
0132	000000	0696400A00							for Level C	
0132	0C6374	0696808600			D	PDD2012-17		WATER DISTRIBUTOR; 2 OUTPUP; 230V 50/60H	for Level TOUCH USA	103,21
0133	0C6222	0546825100		S				SAFETY DEVICE		6,44
0134	0C6217	0646817201		S	A			PRESSURE SWITCH; GP600		34,47
0135	0C5426	0513805000		S				STIRRUP		14,56

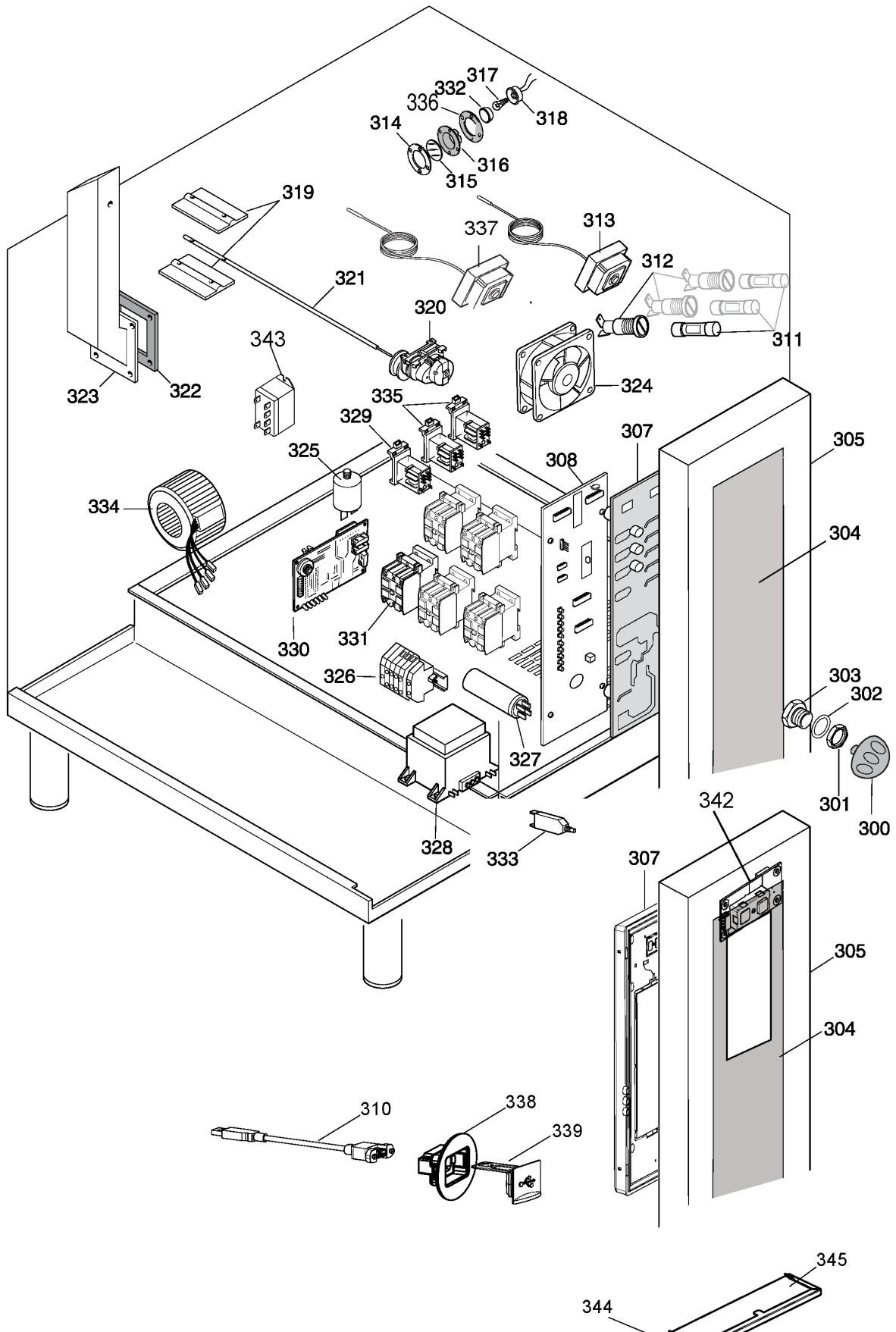


??????	268200								
??????	875400T00	???????? 4	Water system						
.		Alias		S		.			(Euro)
0136	0C6467			S		Kit		TANK SUPPORT; KIT	4,59
0137	0C6375			S		Kit		FLOW REDUCER; KIT 4PCS	12,01
0138	061303			S				RING	1,05
0139	0C6421	0219035015		S				SPRING RING	1,05
0140	0C7924	0505401R00		S				FIXING PLAQUE	6,40
0141	0C8348	0544400C01	0CA348					RUBBER HOLDER; DIA.5MM 1/8"	Up to 5151...
0141	0CA348	0544400C02		S				RUBBER HOLDER; Ø5-1/8" WITH O-RING	From 5161...
0142	0C7925	0543400R00		S				CABLE GROMMET; ØINT 24.6 ØEST 38	15,67
0143	0C2309	0546814600		S				TUBE; BY METER	6,85
0144	005382	0246530100		S				GROMMET; DIA.22	2,05
0145	0C5829	0544819400	0C4832					TUBE; BLU; 10X17; BY METER	
0146	0C8347	0686400100	0CA120					PUMP; 230-240V 50-60HZ; UL	Up to 4441...
0146	0CA112	0686400201	0CA120					PUMP;230V/50HZ 240V/60HZ UL;CLEANING SY	From 4451...
0147	0C3464	0835870400						PRESSURE REDUCER; 3/4"	143,13
0147	0C5562	0831854100	0C8316					FEEDER HOSE; DIA 3/4" L=150 CM	
0147	0C8683	0835400L00		S				WATER INLET GROUP; 220 240V UL	126,36
0147	0C8684	0835400M00		S				WATER INLET GROUP; 220 240V UL	For level C 105,47
141a	0C9538	0546400J00						PROTECTING CAP; BLACK	



??????	268200									
??????	875400T00		???????? 5	Boiler						
.		Alias		S			.			(Euro)
0200	0C9662	0878401100		S	A			BOILER; KIT; ELT 6-101	for Level TOUCH e B	700,75
0201	0C5836	0569806900		S				BOILER INSULATION; ELT ONE 061-101	for Level TOUCH e B	110,72
0202	002692	0543816601		S				CAP; DESCALING LOAD IN THE BOILER	for Level TOUCH e B	6,96
0203	002634	0543817500	0C7016					BUFFER	for Level TOUCH e B	
0203	0C4965	0543843201		S				BUFFER	for Level C e K	12,39
0204	007033	0830890500		S	A	+		LEVEL PROBE; BOILER	for Level TOUCH e B	33,95
0205	007117	0516809501		S				CONNECTION	for Level TOUCH e B	16,27
0205	0C3678	0638893101		S				CABLE; SHIELDED FOR PROBE	for Level TOUCH e B	15,97
0206	0CB250	0689400000		S				MOTOR-OPERATED VALVE; 3/4" 230V 50/60HZ	for Level TOUCH e B	146,12
0206	0CB251	0689400500		S				MOTOR-OPERATED VALVE; 3/4" USA 230V 50/6	for Level TOUCH USA	147,15
0207	000000	0544820300							for Level TOUCH e B	
0207	0C3847	0511820300		S				REDUCING SLEEVE; 1"1/4F-3/4"M	for Level TOUCH e B	17,61
0207	0C5549	0835874500	0C9201					CLAMP	for Level TOUCH e B	
0208	0C1626	0516872000		S				RUBBER HOLDER		7,53
0209	0C4099	0516879600		S				NOZZLE; 1/4"FD3.5-3/8"M	for Level TOUCH e B	19,43
0210	0C4872	0543842600		S				PLUG; FOR SENSOR	for Level TOUCH e B	7,50
0211	0C4856	0527898700						FLANGE	for Level C e K	6,96
0212	0C4963	0543842800		S				GASKET; FOR BOILER	for Level C e K	20,11
0213	0C4532	0546815103						FRONT PANEL; LOWER; 6-10 1/1 AOSQ	for Level TOUCH and level B P80 models	94,83
0214	0C4248	0873881200		S				SHOWER UNIT; AOSQ	for Level TOUCH (noUK version), Level B P80 models	265,28
0215	0C5834	0543844800		S				GASKET; BOILER HEATING ELEMENT	for Level TOUCH e B	20,26
0216	0C5820	0617837000						HEATING ELEMENT; 208V-9000W	for 208V USA models	265,28
0216	0C5823	0617837600						HEATING ELEMENT; 240V-9000W	for 240V USA models	277,83
0216	0C5839	0617836300		S	A			HEATING ELEMENT; 400V-9000W	for 400V models	176,47
0216	0C5842	0617837300			A			HEATING ELEMENT; 230V-9000W	for 230V models	218,25
0216	0C5845	0616838200		S	A			HEATING ELEMENT; 440V-9000W	for 440V models	265,28
0216	0C6023	0617836800						HEATING ELEMENT; 200V-9000W	for 200V models	269,50
0216	0C6938	0617400000						BOILER HEATING ELEMENT; 480V-9000W	for 480V USA models	265,28
0217	002874	0527898600		S				O-RING; ØI=31,34X3,53 MM	for Level TOUCH e B	3,58
0218	0C4821	0527898600		S				FLANGE	for Level TOUCH e B	7,60
0219	055347	0515857001		S				SPACER; H=11,5MM	for Level TOUCH e B	6,10
0220	0C7033	0543400000		S				GASKET	for level TOUCH	18,47
0221	0C3443	0J89061403						WASHER; FOR DOOR	for Level TOUCH	16,30
0222	0C8597	0546821401						FRONT PANEL	Level C, B e K	23,81
0223	0C6539	0830899101		S	A			THERMOCOUPLE PROBE; L=1100MM; STRAIGHT	for Level TOUCH e B	41,36

??????	268200								
??????	875400T00	???????? 5	Boiler						
.		Alias		S			.		(Euro)
0224	0C5283	0544820101	0C5006					HOSE; L=450 D.I=29/SP.5 - EPDM-	
207a	002874	0543816800		S				O-RING; ØI=31,34X3,53 MM for Level TOUCH e B	3,58



From sr. Nr/ Da Ser. Nr.: 014  
 From status level / Da scatto: 07

Page: 6

Ed. 2018 06

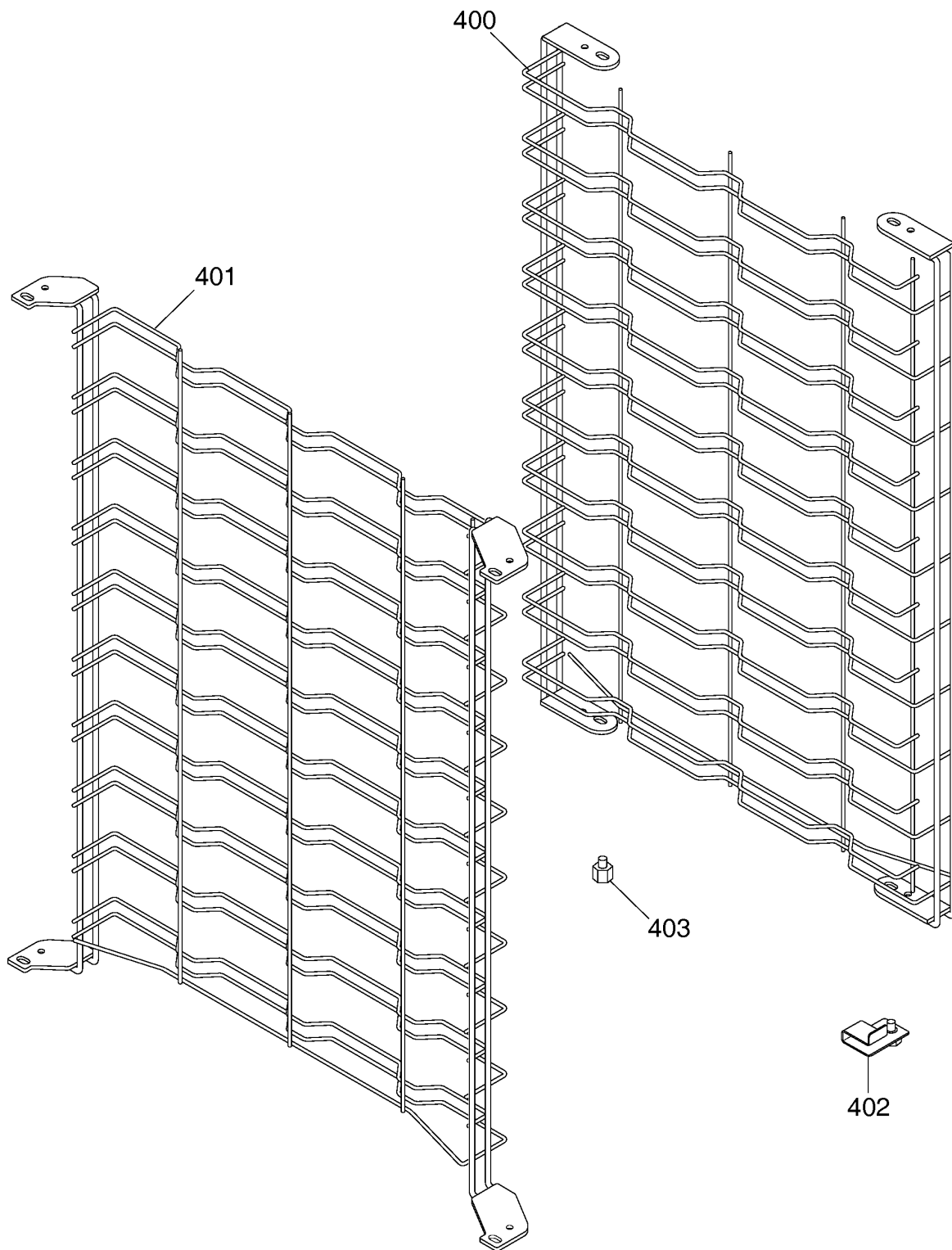
Doc. Nr.: **875400T00**

??????	268200									
??????	875400T00		???????? 6				Electrical components			
.		Alias		S			.			(Euro)
0300	0C4875	0548872200		S				KNOB; BLACK	up to 2010/42 Level C, B	5,44
0300	0C5600	0806874001	0C4875					KNOB	Level C, B	
0301	051263	0214114900		S				LOCK NUT	from 2010/43 Level C, B	3,99
0302	002727	0508836400						WASHER	Level C, B	1,05
0303	002662	0516807301		S				BUSH	Level C, B	6,19
0304	000000								for Level C Bakery	
0304	0C4948	0675855002						ADHESIVE MEMBRANE; ONE; LIV.B	for Level B FCZ Group	69,87
0304	0C6548	0548400403						ADHESIVE MEMBRANE	for TOUCH AOS Group	66,84
0304	0C6551	0548400B00						ADHESIVE MEMBRANE	for TOUCH FCZ Group	61,00
0304	0C6552	0548400D01						ADHESIVE MEMBRANE	for Level B AOS Group	63,50
0304	0C6555	0H00						ADHESIVE MEMBRANE	for Level C AOS Group	61,31
0304	0C8083	0548401800						ADHESIVE MEMBRANE; ONE 06 LIV.C	for Level C FCZ Group	275,77
0304	0C8705	0548401F00						ADHESIVE MEMBRANE; TOUCHSCREEN 6 "K"	For Level Touch "K"	79,90
0305	0C4899	0873895402						CONTROL PANEL; ASSY; ONE 061 LIV.B	for Level B FCZ Group	210,95
0305	0C4900	0873895502						CONTROL PANEL; ASSY; ONE 061 LIV.C	for Level C FCZ Group	222,47
0305	0C4930	0831844900						AIR FILTER; LW 061-101 AOSQ		159,65
0305	0C6580	0875401604						CONTROL PANEL WITH MEMBRANE	AOS Group for TOUCH AOS Group	314,36
0305	0C6581	0870400201						CONTROL PANEL; 061 LIV.B	for Level B AOS Group	250,66
0305	0C6590	0870400D00						CONTROL PANEL	for TOUCH FCZ Group	210,95
0305	0C6591	0870400F00						CONTROL PANEL; 061 LIV.C	for Level C AOS Group	250,66
0305	0C8713	0875401W00						CONTROL PANEL; COMPLETE W/MEMBRANE	For Level Touch "K" - AOS Group	323,83
0307	0C0041	0675838802		S	A			USER INTERFACE; LIV B	for Level B	342,55
0307	0C4891	0675854600			D	PDD2012-16		USER INTERFACE BOARD	for Level C	357,17
0307	0C6571	675400A00	0CA070					USER INTERFACE BOARD; COPUI40-T	for Level TOUCH,K - up to 2441...	
0307	0C7350	0675854602		S	A			USER INTERFACE BOARD	For Level C (start s/n 120...)	358,19
0307	0C8805	675400P01	0CA070					USER INTERFACE BOARD	for Level TOUCH,K - from 2451 - up to 4481...	
0307	0CA070	675400P06		S				USER INTERFACE BOARD; COPUI40-T (REV5)	for Level TOUCH,K - from4491...	840,69
0308	000000	0675400206							for level B	
0308	0C0042	0675837818		S	A			POWER BOARD; COP20-A; LIV A/B/C LW	for level C	605,05
0308	0C3750	0546814001	0C3751					SPACER; 6.6		
0308	0C6564	0633847400		S				SHIELDED CABLE	for TOUCH level	24,96
0308	0C6570	0675400801		S	A			MOTHERBOARD; COP20-T SW1.60	for TOUCH , K level	438,66
0310	0C6565	0638400P00						EXTENSION CABLE	for TOUCH level	14,56
0310	0C6566	0638400Y00						USB EXTENSION; L=340MM	for TOUCH level	12,82
0311	058871	0652800901		S				FUSE; 6,3A; 5X20; QUICK ACTING		1,07
0311	0C1480	0652803300		S				FUSE; 5*20 6,3A T; USA	for USA models	1,29

??????	268200									
??????	875400T00	???????? 6	Electrical components							
.		Alias		S			.			(Euro)
0311	0C2230	0652805100		S				FUSE; 6,3*32 FAST 6,3A 500V OMEGA GF6322	for Marine models	4,34
0311	0C2236	0652805200		S				FUSE; 1.6A FAST 5X20 WEBER 0401601	for 200V Japan models	1,92
0311	0C2301	0652803900		S				FUSE; OMEGA 800MA (COD. ST22180)		1,31
0311	0C3650	0652804900	0C3651					FUSE; 6,3X32 FAST 3,15A 500V	for Marine models	
0311	0C4996	0652806100		S	A			FUSE; 3,15A 5X20; TIME-LAG	for e1,f1 (USA models)	1,40
0311	0C6034	0652803100						FUSE; TIME-LAG; 5X20 T1.6A	for 200V Japan models	1,31
0311	0C6946	0652400000		S				FUSE; 500V-3,15A; 6,3X32MM	For 480V	5,65
0312	0C2228	0652804800	0CB130					FUSE CARRIER; SCHURTER FEC 0031.1631+003	for Marine models	
0312	0F0031	0652802100	0CB128					FUSE HOLDER; SET 2PCS		
0313	006314	0646810802		S				SAFETY THERMOSTAT; 338 C	for USA models and I1	125,33
0313	007042	0646812200		S	A			SAFETY THERMOSTAT; 357°C		95,94
0314	002628	0508840801		S				FLANGE		4,13
0315	002627	0574804900		S		+		LAMP GLASS		10,54
0316	002626	0543842000		S		+		LAMP HOLDER GASKET		15,84
0317	0C4396	0660808300	0C9877		A			HALOGEN LAMP; 12V-10W 300GR C.	Up to 4361...	
0317	0C9877	0660400100		S				HALOGEN LAMP; 12V 10W G4	From 4371...	7,68
0318	007055	0660806401		S				LAMP HOLDER		22,35
0319	007081	0508896801		S				JALOUSIE		19,53
0320	0C5501	0680802300	0C0883					GEARMOTOR; 230V-50HZ	Up to 219...	
0320	0C5502	0680802400	0C8695					GEARMOTOR; 24V-60HZ; USA	Up to 244... - for USA models	
0320	0C8687	0680400100	0C8692		A	+		GEARMOTOR; 230V 50HZ	From 220...	
0320	0C8695	0680802B00		S				GEARMOTOR; 240V 60HZ; USA	From 245... - for USA models and pos. L1	76,66
0321	0C5525	0856832702						STEM; 6-10 1/1 ELECTRIC		19,23
0322	007053	0543828600		S				GASKET		20,11
0323	0C5527	0831855100						AIR DUCT; ASSY; 6 1/1 ELETRIC		61,31
0324	0CB143	0682400700		S				FAN; WITH CABLE L=250mm		38,28
0325	049303	0694605400		S				RADIO INTERFERENCE FILTER; 250V 50/60HZ	not for Marine e USA	24,73
0326	058875	0639805201						TERMINAL BOARD		23,34
0326	0C6028	0639813100			D			TERMINAL BOARD; TXM60	for Japan models	83,03
0326	0F0035	0639808700		S				TERMINAL BOARD	for USA models	24,23
0327	047541	0694604400		S				CAPACITOR; 12,5MF	for Level K, Touch, Ae B - not for USA models	12,93
0327	0C5526	0694806000		S				CAPACITOR; 8 MF	for Level C – not marine and USA models	14,13
0328	007046	0624807100	0C9865					TRANSFORMER;100/200/230V 12/24V 50/60HZ	For Japan models	
0328	0C0949	0624807700						TRANSFORMER	for Marine models except for I1	168,14
0328	0C6895	0624400100	0C6400		A			TRANSFORMER; 70VA 230V 11.5/24V 30/40VA	Up to 3291 except for Japan, USA and Marine models	
0328	0C9557	0624400900	0C6400					TRANSFORMER; 100VA 230/10-24V 50-50VA	From 3301 except for Japan, USA and Marine models	

??????	268200									
??????	875400T00	???????? 6	Electrical components							
.		Alias		S			.			(Euro)
0329	058857	0648803001		S				RELAY	for Level TOUCH e B	25,87
0329	088267	0648722900		S				RELAY; COIL 200-240VAC	for Level TOUCH USA	40,32
0330	007047	0624807002		S	A			POWER SUPPLY BOARD; LAMBDA PROBE	for Level TOUCH	149,31
0331	006879	0648807400		S	A			CONTACTOR; 220-240V 50HZ/240-264V 60HZ	for 200V, 208, 230V,240V	38,81
0331	088477	0648807300		S	A			CONTACTOR; 220-240V 50HZ/240-264V 60HZ		29,71
0331	088557	0648400000		S	A			CONTACTOR; 220-230V 50HZ/240V 60HZ	For 480V	36,53
0332	0C4459	0509803900		S				LAMP CAP		6,08
0333	0F0045	0648805200						SWITCH; 240V-1,5A	for Marine models	20,99
0334	0C6945	0624400002		S	A			TRANSFORMER; 450VA 12/24/120/208/220/240	For USA models and I1	224,53
0335	056466	0648802601		S				RELAY	for Level TOUCH USA	27,05
0336	0C5451	0543843500		S				LAMP HOLDER GASKET		4,67
0337	006433	0646810902		S	A			SAFETY THERMOSTAT; 150 C	USA (touch and B) and I1	171,80
0337	0C2983	0646814900		S	A			OVERTEMPERATURE LIMITER; 140GR 3P	for Level TOUCH e B except for USA and I1	85,28
0338	0C6547	0546400200						BOWL; FOR USB	for TOUCH level	3,26
0339	0C6546	0541400A00						PLUG; PER USB	for TOUCH level	5,44
0342	0C8033	0675858601		S				BUTTON; 0/I; TOUCH	for TOUCH level	53,79
0343	088267	0648722900		S				RELAY; COIL 200-240VAC		40,32
0344	0C4934	0831851003		S				AIR FILTER; 061-101 'ONE'	not for q1	82,50
0345	000000	0549400J00								





??????	268200									
??????	875400T00	???????? 7	Accessories							
.		Alias		S			.			(Euro)
0400	0C5015	0831852402						CHROME GRID; DX ONE 061	for P80 models	94,52
0400	0C5018	0831850400						CHROME GRID; DX ONE 061		97,02
0401	0C5014	0831852302						CHROME GRID; SX ONE 061	for P80 models	99,43
0401	0C5019	0831850500						CHROME GRID		100,89
0402	0C4961	0806872800		S				SUPPORT		28,31
0403	0C0325	0830899001		S	A			TEMP.PROBE; THERMOCOUPLE; L=85CM; BOILER	for Level TOUCH e B	41,05
0403	0C1567	0527839102						SUPPORT; RH	For Marine Version	33,22
0403	0C1568	0527839202						SUPPORT; LH	For Marine Version	39,27
0403	0C3459	0853853405						PAN HOLDER STRUCTURE; ASSY LW6	For Marine Version	359,33
0403	0C5620	0511828100		S				BAKING PAN SUPPORT		11,74
0403	0C6539	0830899101		S	A			THERMOCOUPLE PROBE; L=1100MM; STRAIGHT	for Level TOUCH e B	41,36
0403	0C7028	0830400N00		S	A			SENSOR		43,34
0403	0C9499			S		Kit		OVEN DRAIN HOSE; KIT		116,39
0403	0CB434				D			BIANNUAL MAINTENANCE KIT OVEN-ELECTRIC 6	12+23+42+53+215+316+317 +336+0CA120+0Q0006+0C9 992	256,42
0403	0CB435				D			YEARLY MAINTENANCE KIT OVEN-ELECTRIC 6 1	12+23+42+48+49+53+207a +215+316+317+336+0CA120 +0Q0006+0C9992	278,16