

Ovens Platform
Viale Treviso, 15
33170 Pordenone - Italy
Fax: +39 0434-380577**10 GN 1/1 ELECTRIC STEAM - CONVECTION OVEN**
FORNO CONVEZIONE- VAPORE ELETTRICO 10 GN 1/1

PNC	Model	Ref.	Page	Notes
260452	AOS101EA	a	2-3-4-5-6-7	Level/Livello A
260453	AOS101EB	b	2-3-4-5-6-7	Level/Livello B
260458	AOS101EA3J	c	2-3-4-5-6-7	Level/Livello A
260459	AOS101EB3J	d	2-3-4-5-6-7	Level/Livello B
260464	AOS101EA2N	e	2-3-4-5-6-7	Level/Livello A
260465	AOS101EB2N	f	2-3-4-5-6-7	Level/Livello B
260512	AOS101EA0H	g	2-3-4-5-6-7	Level/Livello A
260513	AOS101EB0H	h	2-3-4-5-6-7	Level/Livello B

	Index	Indice
Pag. 2	Oven cabinet and door	Cella forno e porta
3	Water system	Impianto idraulico
4	Watersystem new	Impianto idraulico nuovo
5	Boiler	Boiler
6	Electrical components	Componenti elettrici
7	Tray support	Struttura portateglie
8-11	Spare part list	Lista ricambi

Brand / Marchio : ELECTROLUX
Factory code: 9PDX

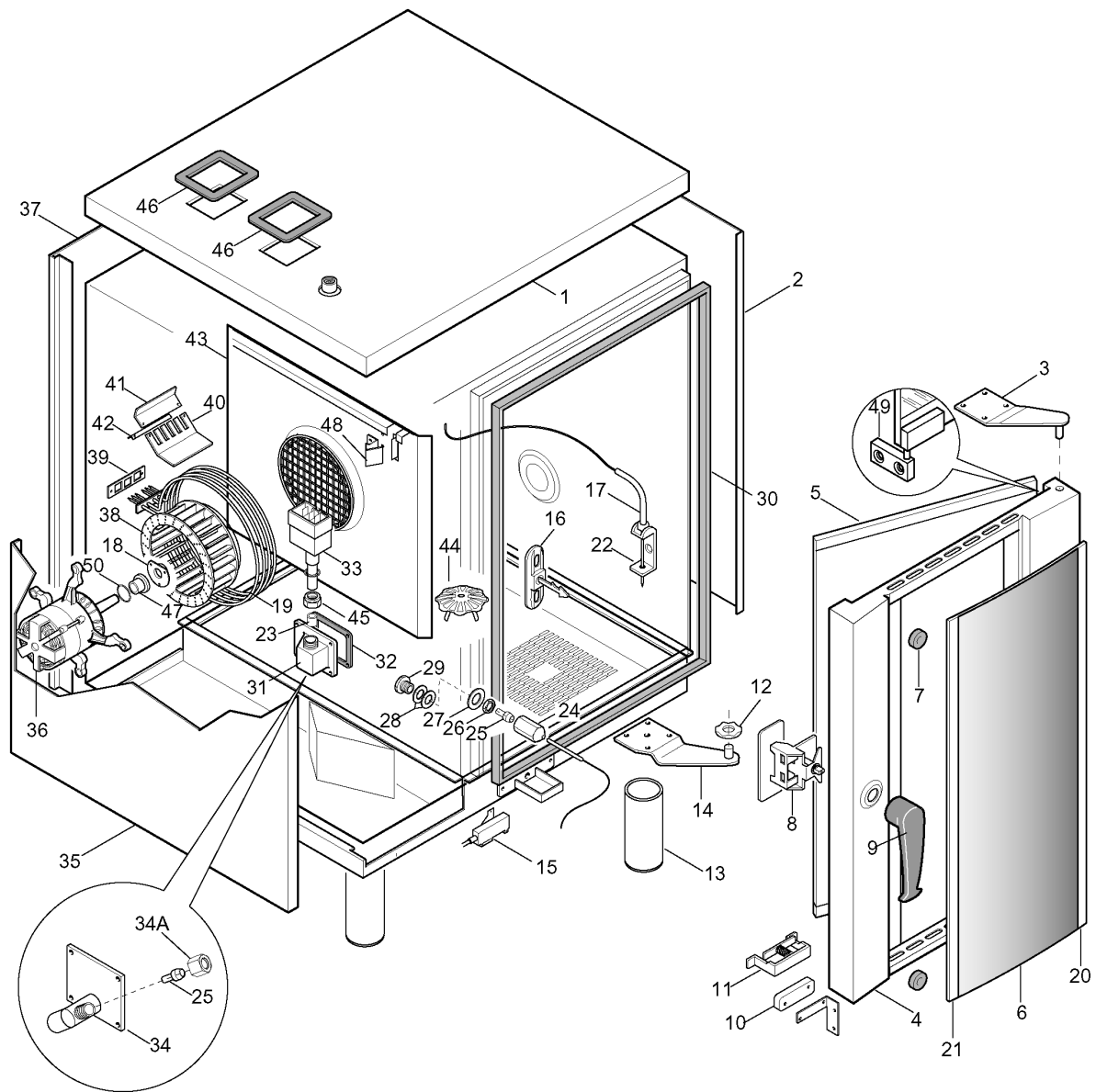
OV / DOC

From ser. nr. / Da Ser. Nr.: 248

Page: 1 Ed. 2008 11

Doc. Nr.:

3 - 12 105



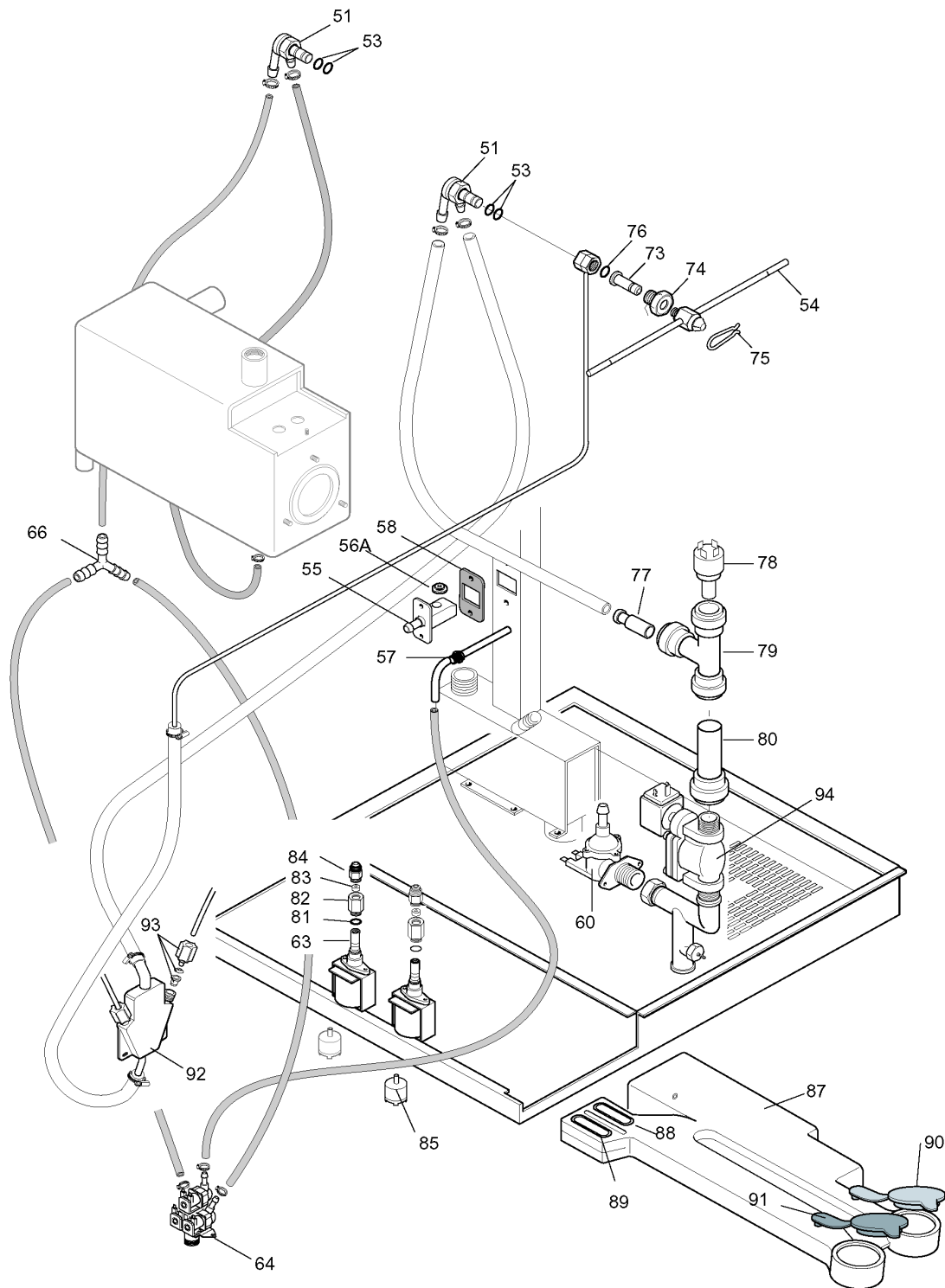
From ser. nr. / Da Ser. Nr.: 248

Page: 2 Ed. 0405

Doc. Nr.: **3 - 12 105**

??????	260453									
??????	3-12105		???????? 2				Oven cabinet and door			
.		Alias		S			.			(Euro)
0001	0C1516	0851803802			D			LID		157,30
0002	007060	0522844104			D			SIDE		209,10
0003	007086	0512816003						HINGE		48,92
0004	007110	0873826308			D			DOOR		
0005	007061	0806818901						GLASS		210,10
0006	007062	0574809300	0C3297		D			GLASS		
0007	006976	0543828001		S				SHOCK ABSORBER		4,33
0008	006977	0835854704		S				OVERTURNING MECHAN.		204,00
0009	0C1616	0831820700		S				HANDLE		57,75
0010	049627	0699603700		S				MAGNET		9,82
0011	006979	0835854601		S				STEAM TRAP		109,60
0012	002653	0510815700		S				SPACER FOR HINGE		13,62
0013	006699	0516811700		S				FOOT		7,85
0014	006980	0512816102						DOOR HINGE; ON THE BOTTOM		56,74
0015	049621	0654600000		S	C	+		REED SWITCH		15,00
0016	0C2215	0831820800		S				CATCH; ASSY		48,11
0017	007063	0830895401						PROBE; L=1050MM	b,d,f,h - (from SN 250)	153,30
0017	0C0224	0830895400						CORE PROBE; L=1200MM	b,d,f,h	219,20
0018	006670	0508839300		S				FLANGE		6,15
0019	007064	0617823801	0C6501					HEATING ELEMENT; 5670W-400V	a,b,g,h	
0020	007067	0806818701						FIXING PROFILE; RIGHT		34,51
0021	007068	0806818801						FIXING PROFILE; LEFT		83,94
0022	006989	0527842001						SUPPORT		39,18
0023	050682	0215170716		S	C			DOUBLE CONE; ØI=12MM		2,02
0024	006991	0516855300						NUT		22,43
0025	002701	0516809301		S				INSULATOR		3,59
0026	020997	0214105101		S				LOCK NUT		1,25
0027	002700	0508838701		S				WASHER		3,07
0028	002624	0543816300		S				GASKET; SET 50 PCS		24,16
0029	002623	0516809400		S				PIPE FITTING		10,04
0030	007069	0543828203	0C1477					GASKET; 725X450MM		
0032	006994	0543829003						GASKET		33,09
0034	006996	0806823200						PIPE	b,d,f,h	303,50
0035	0C1037	0522855000						LEFT SIDE		206,00
0036	006998	0611806001		S				MOTOR ;190W 230 V 50/60 HZ; 4/6 POLES		228,40
0037	0C1515	0522844203						BACK PANEL		139,10

??????	260453								
??????	3-12105	???????? 2	Oven cabinet and door						
.		Alias		S			.		(Euro)
0038	0C1129	0831808400	0C6463				FAN BLADE; ASS.		
0039	002689	0543816501		S			HEATING ELEMENT GASKET		26,09
0040	0C3830	0527833700		S			SUPPORT		14,58
0041	006256	0503891801		S			BLADE; FOR FIXING HEATING ELEMENT		15,20
0042	006253	0503897402		S			ANGLE		9,19
0043	007073	0830892204	0C4619				SUCTION WALL		
0044	0C1740	0518808600		S			FILTER		13,26
0046	007005	0543828901		S			GASKET		6,02
0047	002699	0516808902		S			BEARING; FOR MOTOR SHAFT		20,50
0048	0C3423	0518807301					SPRING; SUCTION WALL		19,63
0049	007007	0806822000		S			HINGE		16,36
0050	002873	0543816700		S			O-RING; ØI=MM.28,17X3,53		2,43
034A	002702	0516809200					NUT	b,d,f,h	22,94

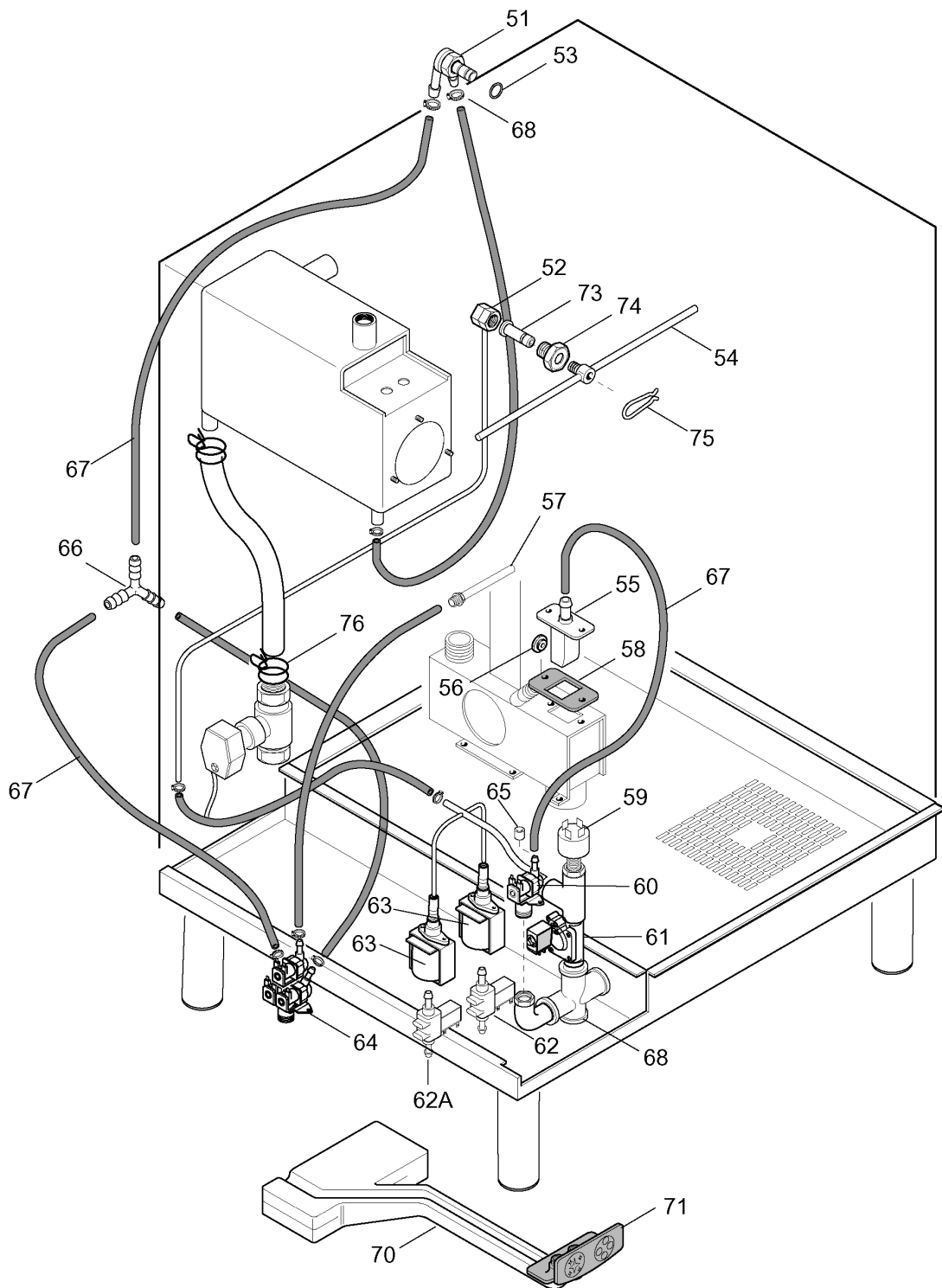


From ser. nr. / Da Ser. Nr.: 248

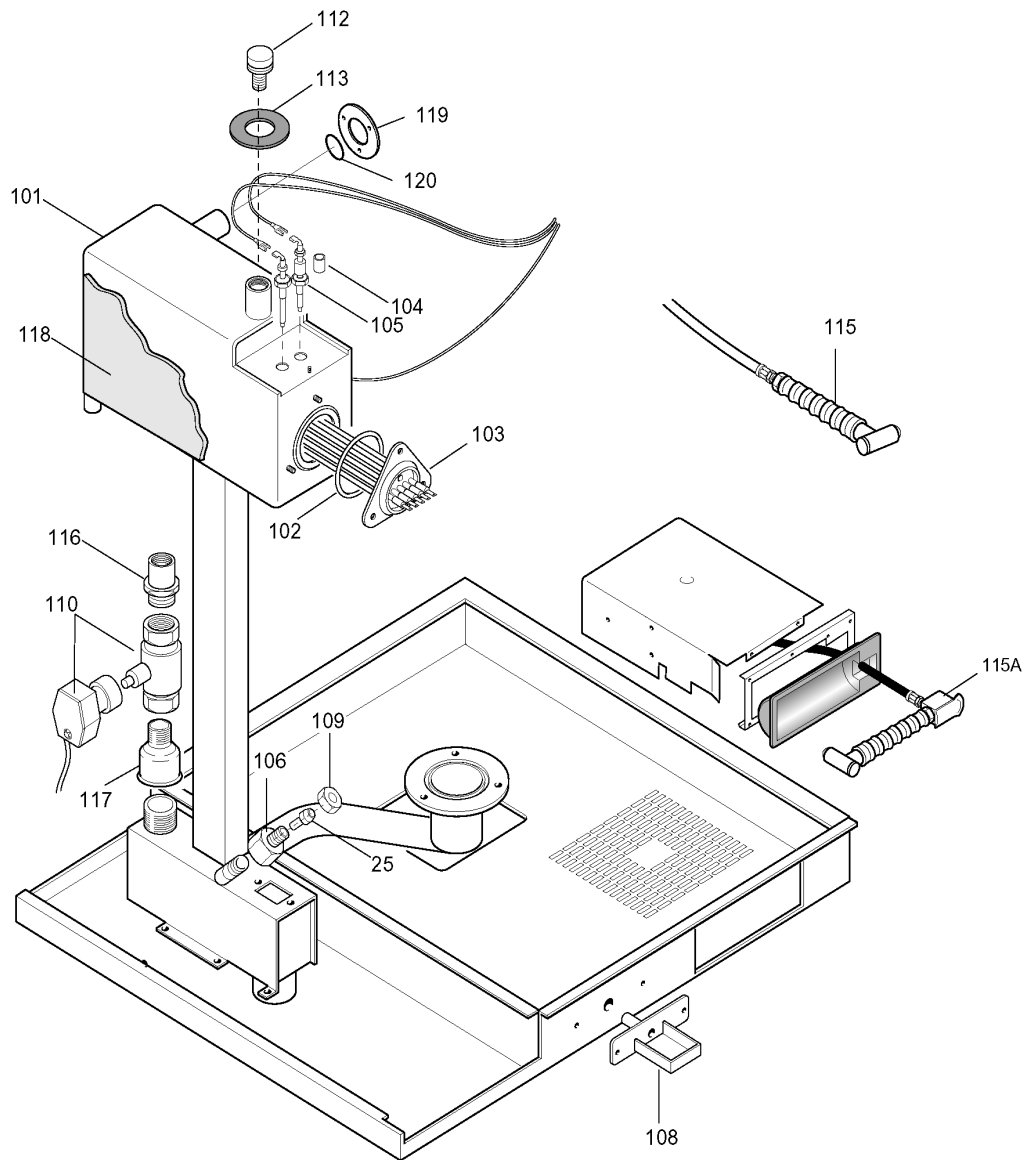
Page: 3 Ed. 0405

Doc. Nr.: **3 - 12 105**

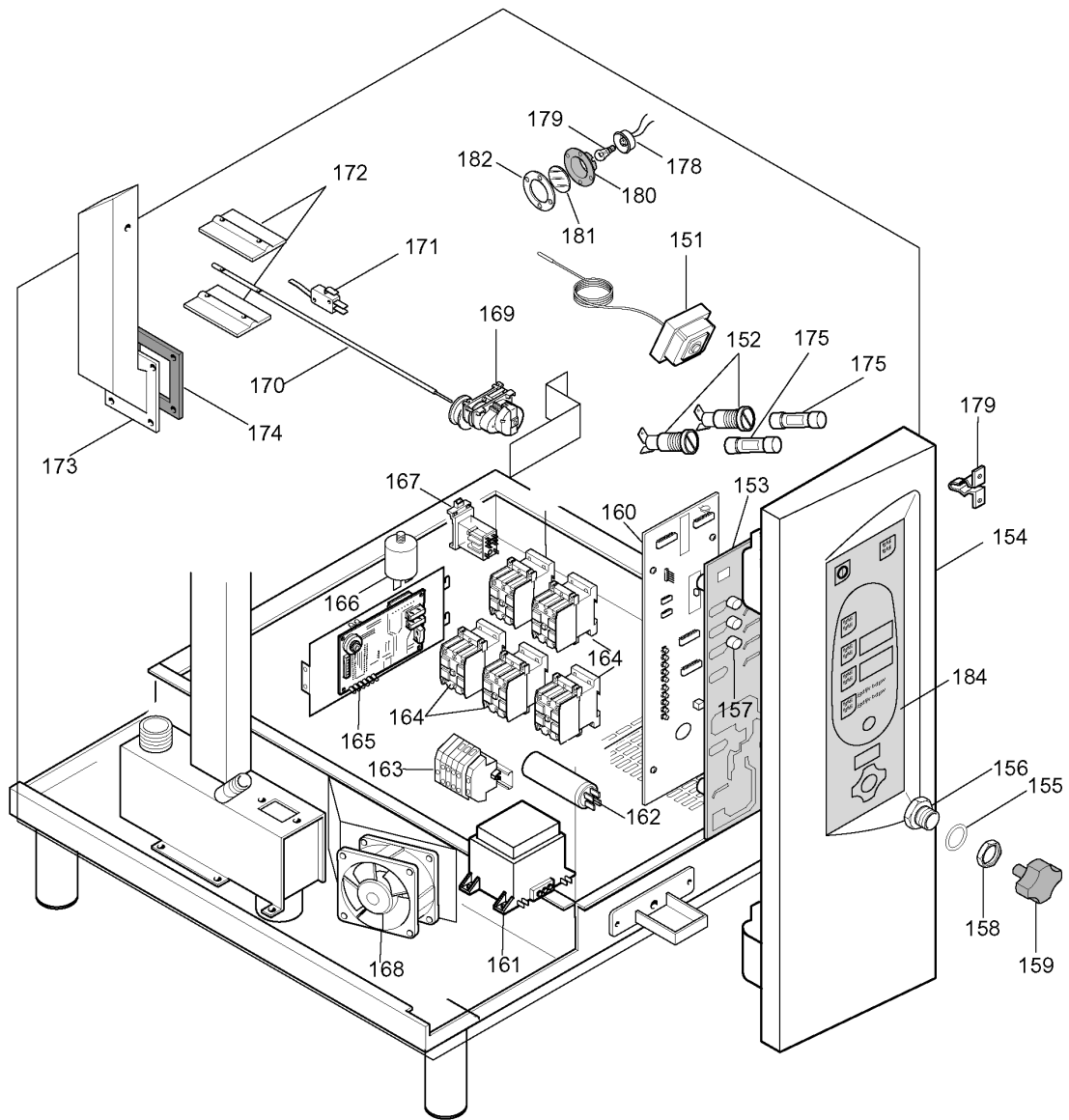
??????	260453								
??????	3-12105	???????? 3	Water system						
.		Alias		S			.		(Euro)
0051	007008	0544806701		S				NONRETURN VALVE	10,42
0053	058904	0543813600		S				O-RING; ØI=8,75X1,78 MM	1,02
0055	007011	0803891101						SUPPORT FOR NOZZLE	32,99
0057	007012	0H22982600		S				PIPE	29,64
0058	007013	0543828501		S				GASKET	2,33
0060	055132	0696801000	0C3254		C			SOLENOID VALVE; ES180 230V 50/60HZ	
0064	002859	0696802900	0C1934		D			SOLENOID VALVE; ET180 230V 50/60HZ	
0066	047431	0544615700		S				CONNECTION 3 WAY	5,86
056A	0C1039	0516867700						NOZZLE	8,91



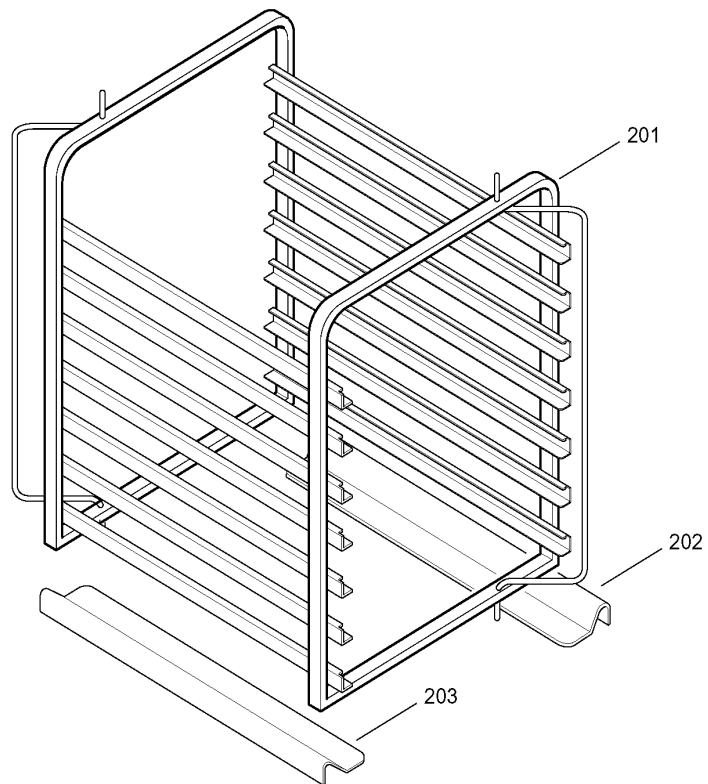
??????	260453								
??????	3-12105	???????? 4	Water system new						
.		Alias		S			.		(Euro)
0051	007008	0544806701		S				NONRETURN VALVE	10,42
0053	058904	0543813600		S				O-RING; ØI=8,75X1,78 MM	1,02
0055	007011	0803891101						SUPPORT FOR NOZZLE	32,99
0056	0C1039	0516867700						NOZZLE	8,91
0057	007012	0H22982600		S				PIPE	29,64
0058	007013	0543828501		S				GASKET	2,33
0060	055132	0696801000	0C3254		C			SOLENOID VALVE; ES180 230V 50/60HZ	
0064	002859	0696802900	0C1934		D			SOLENOID VALVE; ET180 230V 50/60HZ	
0065	002728	0516815300		S				FLOW CONTROL	9,87
0066	047431	0544615700		S				CONNECTION 3 WAY	5,86
0067	002707	0140068008	0C3165				PDD2005 -18	ARMORED RUBBER HOSE; BY METER	
0068	000000								



??????	260453								
??????	3-12105		???????? 5	Boiler					
.		Alias		S			.		(Euro)
0025	002701	0516809301		S				INSULATOR	3,59
0101	007028	0830890805						BOILER	723,00
0102	007029	0543828800		S				O-RING; ØI=56,52X5,34MM	6,58
0103	007076	0617824202	0C5384			+		HEATING ELEMENT; 17KW 400V	a,b,g,h
0104	055347	0515857001		S				SPACER; H=11,5MM	5,81
0105	007033	0830890500		S		+		LEVEL PROBE; BOILER	32,99
0106	006990	0516857200						CONNECTION	35,02
0108	007035	0806817902				D		BOX	
0109	002702	0516809200						NUT	22,94
0110	0C0882	0696804201		S				MOTOR-OPERATED VALVE; 3/4" 230V 50/60HZ	144,10
0112	002692	0543816601		S				CAP; DESCALING LOAD IN THE BOILER	6,76
0113	002634	0543817500	0C7016					BUFFER	
0115	007039	0873826400	0C1156					SHOWER UNIT	
0116	007117	0516809501		S				CONNECTION	15,81
0117	007040	0511817600		S				CONNECTION	11,09
0118	0C1590	0560838406	0C4109					BOILER INSULATION; KIT	
0119	005381	0508839400		S				FLANGE	9,14
0120	002874	0543816800		S				O-RING; ØI=31,34X3,53 MM	3,48
115A	0C2218	0873848500		S				SHOWER UNIT	349,20



??????	260453									
??????	3-12105		???????? 6				Electrical components			
.		Alias		S			.			(Euro)
0151	007042	0646812200		S	C			SAFETY THERMOSTAT; 357°C		93,15
0152	0F0031	0652802100		S				FUSE CARRIER		16,08
0153	0C0041	0675838802		S				USER INTERFACE; LIV B	b,d,f,h	332,90
0154	0C1072	0853863400			D			CONTROL PANEL	b,d,f,h	1 399,00
0155	002727	0508836400		S				WASHER		1,02
0156	002662	0516807301		S				BUSH		6,02
0157	002670	0548836902		S				EXTENSION; L=6,95MM		1,02
0158	051263	0214114900		S				LOCK NUT		3,80
0159	007044	0548856302		S				KNOB		6,90
0160	0C0042	0675837803		S				POWER BOARD; COP20-A; LIV A/B/C LW		588,00
0161	007045	0624806900		S				TRANSFORMER; 100VA 230/12V	a,b,e,f,g,h	54,10
0162	047541	0694604400		S				CAPACITOR; 12,5MF		12,31
0163	002691	0639806002	0F0112					TERMINAL BOARD; 16 MM2		
0164	006879	0648807400		S	C			CONTACTOR; 220-240V 50HZ/240-264V 60HZ		37,68
0164	088447	0648807300	087913					LAMP BODY		
0166	049303	0694605400		S				RADIO INTERFERENCE FILTER; 250V 50/60HZ		23,55
0167	058557	0648803001	058857					RELAY		
0168	002656	0624802900	0C4423		D			FAN; 15W 230V 50/60HZ		
0169	002696			S				GEARMOTOR	UP TO SN 249	
0169	0C0883	0646812801			D	PDD2012-14		GEARMOTOR; 230V 50HZ; 4VA	FROM SN 250	79,37
0170	000000	0516856200							UP TO SN 249	
0170	007049	0516856201						ROD	FROM SN 250	34,92
0171	007050	0640804100						MICROSWITCH; W/ADAPT.	UP TO SN 249	21,21
0172	007081	0508896801						JALOUSIE		18,98
0173	007082	0830890104						PIPE		60,09
0174	007053	0543828600		S				GASKET		19,54
0175	007054	0652802900		S				FUSE; 630MA		1,38
0175	058771	0652800901								
0178	007055	0660806400		S				LAMP HOLDER		21,72
0179	007056	0660806500	0C2803		D			LAMP		
0180	002626	0543817202		S		+		LAMP HOLDER GASKET		15,39
0181	002627	0574804900		S		+		LAMP GLASS		10,24
0182	002628	0508840801		S				FLANGE		4,01
0184	007058	0675838901						MEMBRANE	b,d,f,h	65,77



??????	260453									
??????	3-12105	???????? 7	Tray support							
.		Alias		S			.			(Euro)
0201	007083	0853852703	0C3458		D			FRAME	a,b,c,e,d,f	
0202	0C1567	0527839101						SUPPORT; RH		32,28
0203	000000	0527839200								