

PNC	Model	Ref.	Page	NOTES
267002	AOS101EAA1	a	2...12	Level/Livello A
267012	AOS101EAH1	g	2...12	Level/Livello A
267022	AOS101EAN1	c	2...12	Level/Livello A
267032	AOS101EAC1	e	2...12	Level/Livello A
267042	AOS101EAE1	n	2...12	Level/Livello A
267052	AOS101EAF1	p	2...12	Level/Livello A
267082	AOS101EAM1	t	2...12	Level/Livello A
267092	AOS101EAB1	u	2...12	Level/Livello A
267102	AOS101EAK1	r	2...12	Level/Livello A
268002	AOS101EBA1	b	2...12	Level/Livello B
268012	AOS101EBH1	h	2...12	Level/Livello B
268022	AOS101EBN1	d	2...12	Level/Livello B
268032	AOS101EBC1	f	2...12	Level/Livello B
268042	AOS101EBE1	o	2...12	Level/Livello B
268052	AOS101EBF1	q	2...12	Level/Livello B
268102	AOS101EBK1	s	2...12	Level/Livello B
269002	AOS101ECA1	i	2...12	Level/Livello C
269012	AOS101ECH1	l	2...12	Level/Livello C
269022	AOS101ECN1	m	2...12	Level/Livello C

Pag	Index	Indice
2	Oven cabinet and door	Cella forno e porta
3	Water system	Impianto idraulico
4	Boiler	Boiler
5	Electrical components	Componenti elettrici
6	Tray support	Struttura portateglie
7-12	Spare parts list	Lista ricambi

Brand/Marchio: Electrolux
Factory code: 9PDD

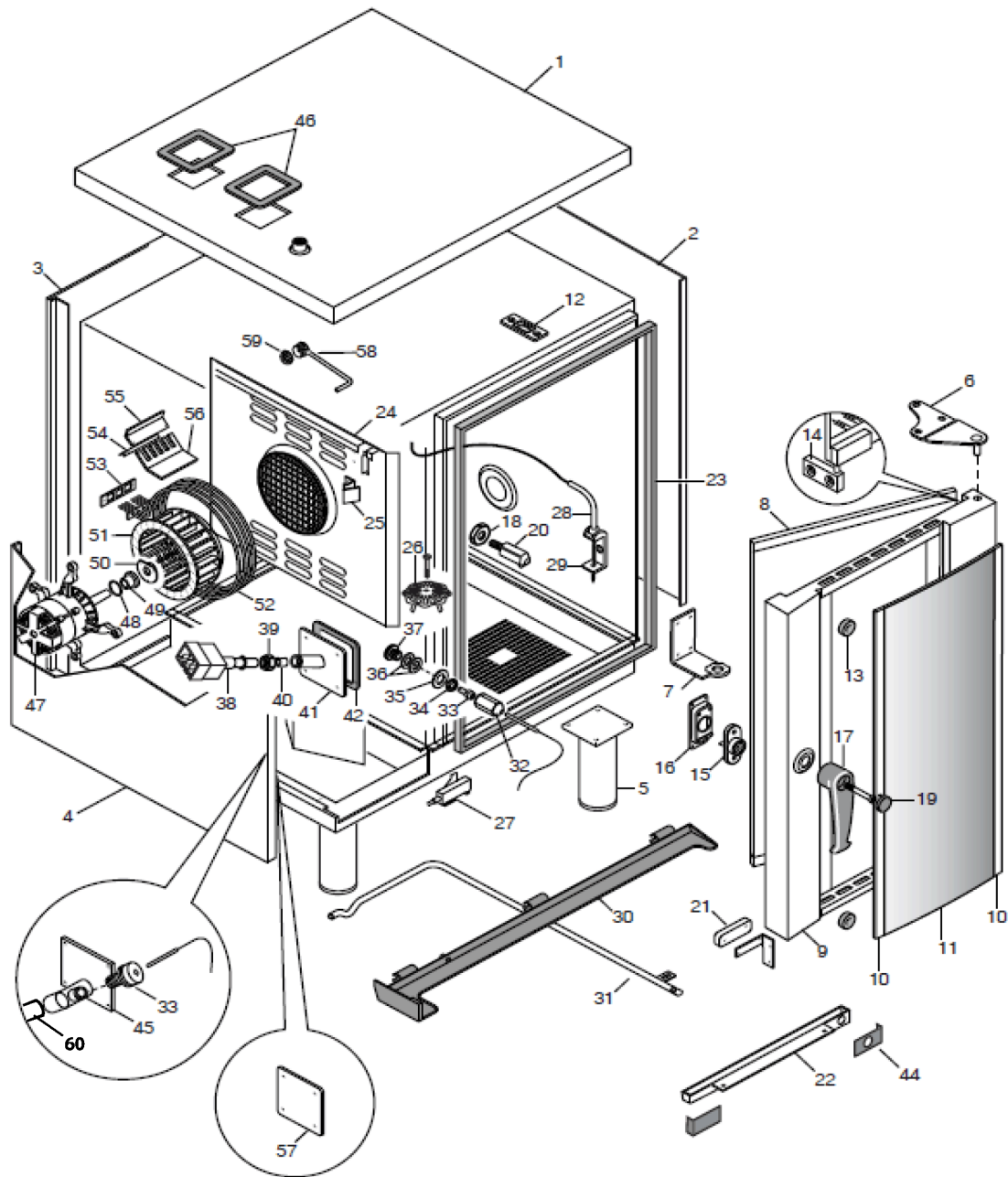
From sr. Nr/ Da Ser. Nr.: ***

From status level / Da scatto: **

Page: 1

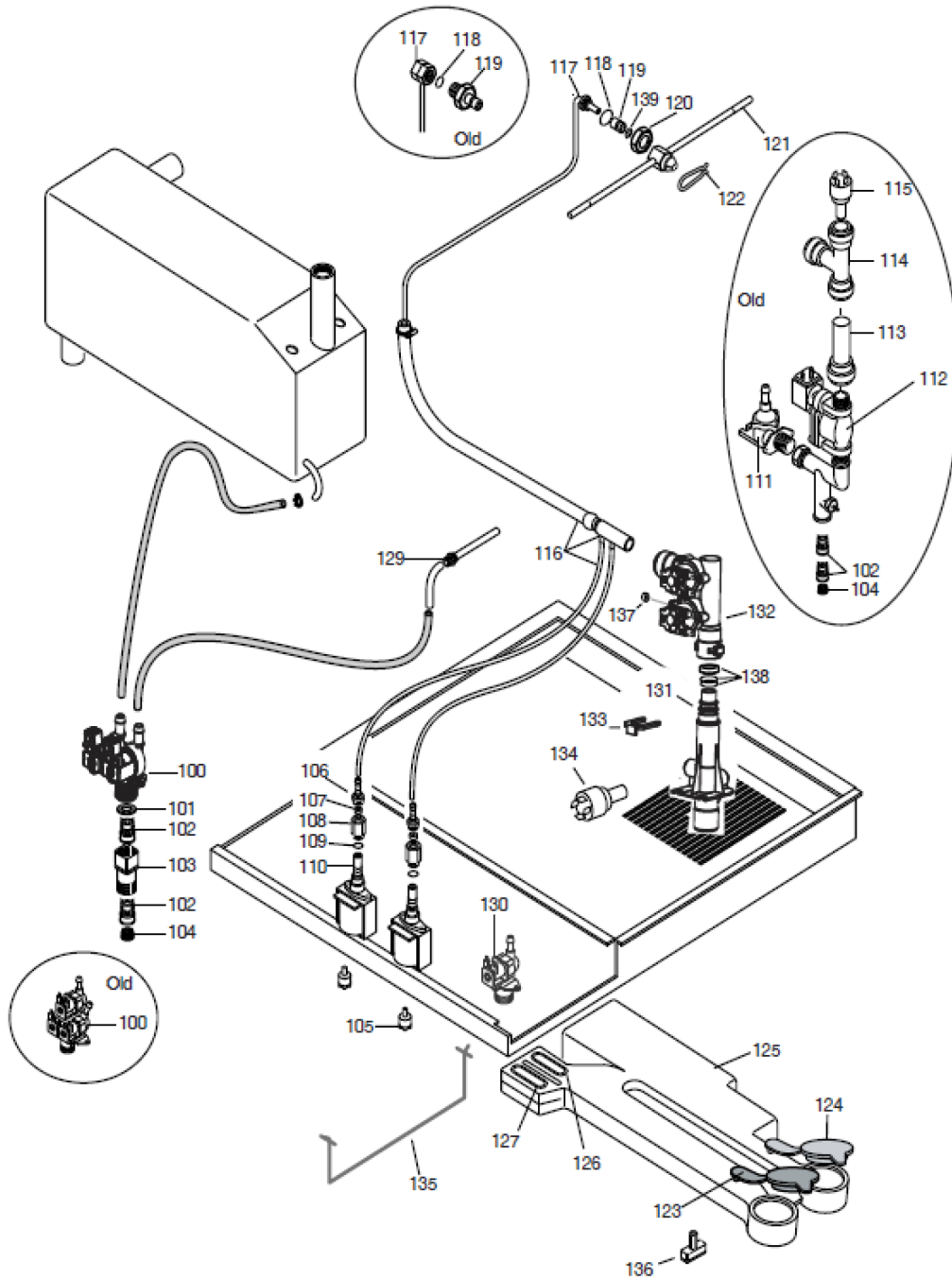
Ed. 2017 01

Doc. Nr.: **3-13602**



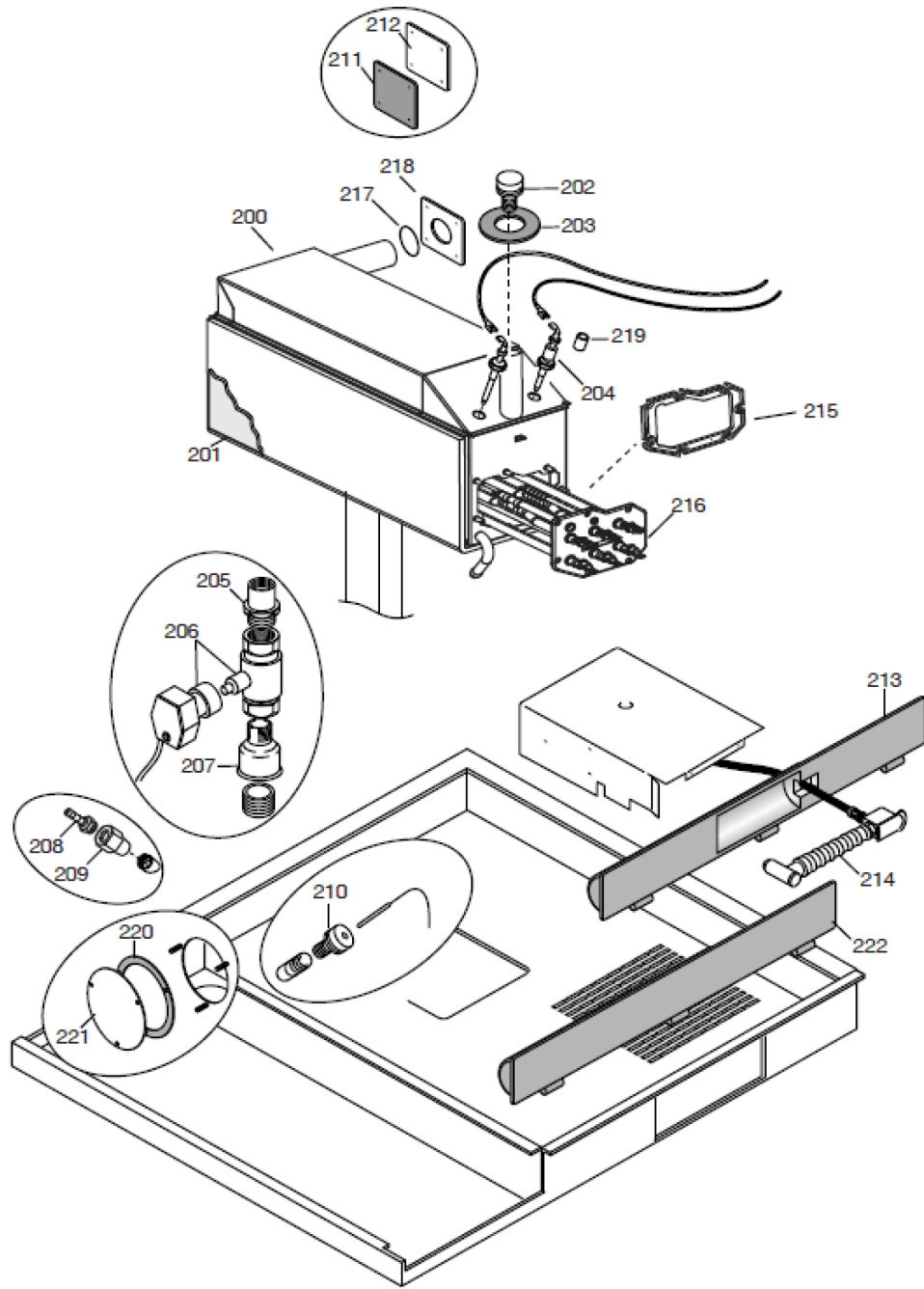
??????	267002									
??????	3-13602	???????? 2	Oven cabinet and door							
.		Alias		S			.			(Euro)
0001	0C4231	0873871102			D			LID; ASSY;AOSQ 6-10 1/1 ELT	Until UP 04	
0001	0C6177	0590831300						LID; ONE 061-101E	Da/from 05	143,10
0002	0C4232	0870863302						RIGHT SIDE; EST DX AOSQ 061	Until UP 04	1 028,00
0002	0C6174	0530890900						RIGHT SIDE; ONE 101	Da/from 05	149,20
0003	0C4084	0522845504						BACK PANEL; AOSQ 061	Until UP 04	118,80
0003	0C6190	0530892700						BACK PANEL; ONE 101	Da/from 05	106,60
0004	0C1079	0522854900						LEFT SIDE	Until UP 04	150,20
0004	0C6196	0530893300						LEFT SIDE; ONE 101	Da/from 05	139,10
0005	0C4892	0831850900		S				FOOT; 2"	a,m,r,s,t,u	11,46
0006	0C4234	0806847803		S				PLATE; ASSY,UPPER AOSQ		22,43
0007	0C4235	0806861600	0C9574					PLATE; ASSY.LOWER 6-10 AOSQ		
0008	0C4470	0873869902		S				DOOR GLASS; ASSY; LW101 AOSQ		90,94
0009	0C4960	0873858407	0C6601		D			DOOR ASSEMBLY; ONE 101		
0010	0C4476	0806859302		S				PROFILE; EST.LW10 AOSQ		34,92
0011	0C4471	0574817103	0C8736					CURVED GLASS; EST. LW101 AOSQ		
0012	0C4088	0543839700		S				GASKET		8,13
0013	006976	0543828001		S				SHOCK ABSORBER		4,33
0014	007007	0806822000		S				HINGE		16,36
0015	0C4089	0835871801	0C4477					LOCKING MECHANISM		
0016	0C4237	0510824200		S				SUPPORT; LW06-10 AOSQ		18,98
0017	0C4090	0548871500		S				HANDLE; LW06-10 AOSQ		13,09
0018	0C4238	0516896400		S				NUT; FOR CATCH AOSQ		11,72
0019	0C4091	0546822600		S				PLUG; LW06-10 AOSQ		6,76
0020	0C4092	0806859900		S				CATCH		35,42
0021	049627	0699603700		S				MAGNET		9,82
0022	0C4239	0528869501		S				BOWL; LW06-101 AOSQ		59,68
0023	0C1477	0831846901		S				DOOR GASKET; 725X450MM		120,80
0024	0C4619	0830892205						SUCTION WALL; AOSQ 101 ELT		286,20
0025	0C3423	0518807301						SPRING; SUCTION WALL		19,63
0026	0C1740	0518808600		S				FILTER		13,26
0027	049621	0654600000		S	C	+		REED SWITCH		15,00
0028	0C4240	0831831000		S				CORE PROBE; AOSQ T.C.MULTIPOINT	a,c,e,g,r,t,u	226,30
0029	0C1505	0527865201						SUPPORT		7,29
0030	0C4242	0856814000		S				DRIP TRAY; 1/1 AOSQ		19,07
0031	0C4243	0806858800		S				HOSE		33,19
0032	006991	0516855300						NUT		22,43

??????	267002								
??????	3-13602		???????? 2	Oven cabinet and door					
.		Alias		S			.		(Euro)
0034	020997	0214105101		S				LOCK NUT	1,25
0035	002700	0508838701		S				WASHER	3,07
0036	002624	0543816300		S				GASKET; SET 50 PCS	24,16
0037	002623	0516809400		S				PIPE FITTING	10,04
0038	006995	0830891200	0C6465	S		+		LAMBDA PROBE	a,c,e,g,n,p,r,t,u
0039	050670	0214111412		S				NUT; M20X1,5	a,c,e,g,n,p,r,t,u
0040	050682	0215170716		S	C			DOUBLE CONE; ØI=12MM	a,c,e,g,n,p,r,t,u
0041	0C4244	0806857201		S				FLANGE; FOR LAMBDA SONDE	a,c,e,g,n,p,r,t,u
0042	0C4093	0543838300		S				GASKET	11,09
0044	0C4094	0543841300						GASKET	11,61
0046	007005	0543828901		S				GASKET	6,02
0047	006998	0611806001		S				MOTOR ;190W 230 V 50/60 HZ; 4/6 POLES	a,.....,h,n,o,p,q,r,s
0048	002873	0543816700		S				O-RING; ØI=MM.28,17X3,53	2,43
0049	002699	0516808902		S				BEARING; FOR MOTOR SHAFT	20,50
0050	0C4138	0538815400		S				FLANGE	5,81
0051	0C1129	0831808400	0C6463					FAN BLADE; ASS.	
0052	007064	0617823801	0C6501					HEATING ELEMENT; 5670W-400V	a,b,g,h,i,l,m,p,q,r,s
0053	002689	0543816501		S				HEATING ELEMENT GASKET	26,09
0054	006253	0503897402		S				ANGLE	9,19
0055	006256	0503891801		S				BLADE; FOR FIXING HEATING ELEMENT	15,20
0056	0C3830	0527833700		S				SUPPORT	14,58
0060	006248	0140068010		S				PIPE; DIA 26X20, BY METER	28,83



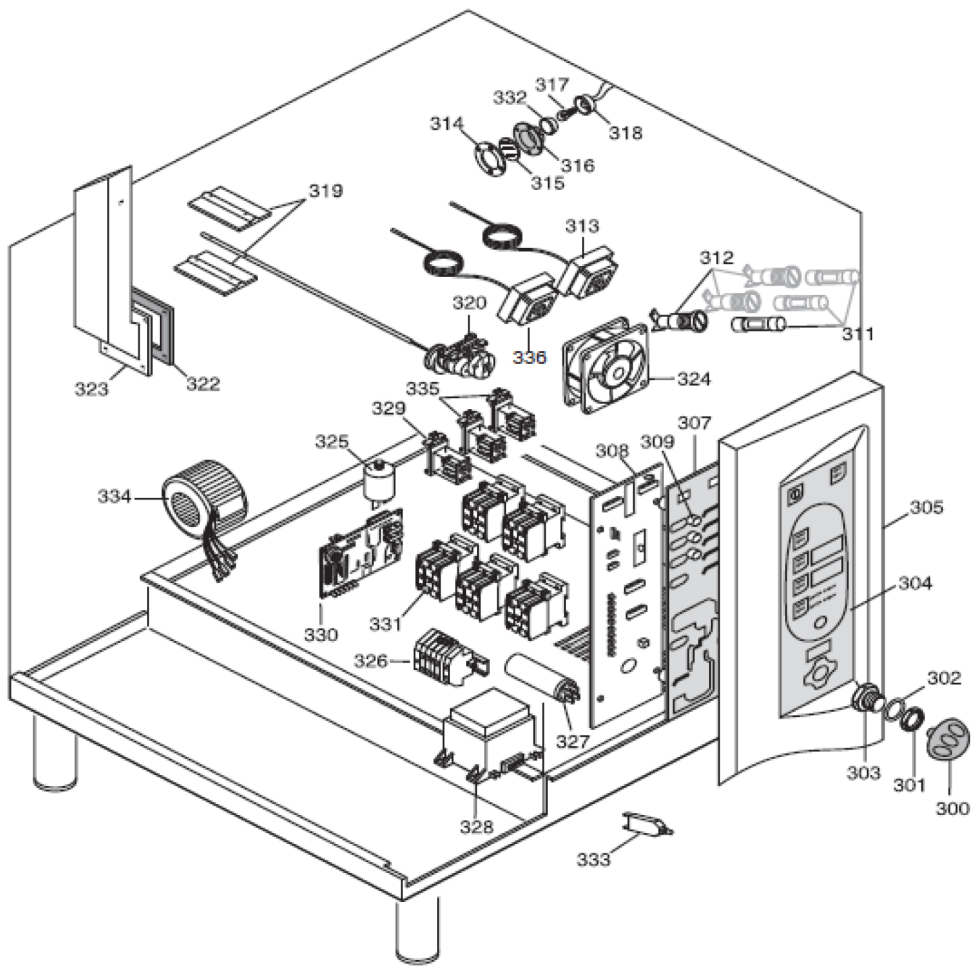
??????	267002									
??????	3-13602		???????? 3				Water system			
.		Alias		S			.			(Euro)
0100	OC1934	0696805600		S	C		SOLENOID VALVE;V380;230V 50/60HZ;3 WAY	a,h,n,o,p,q,r,s,t,u		62,10
0100	OC5516	0696808300		S			WATER SOLENOID VALVE;2 WAYS/180 2,5L/MIN	a,h,n,o,p,q,r,s,t,u		23,35
0101	OC4096	0543840600		S			FILTER GASKET			1,27
0102	OC2312	0549801800		S			NONRETURN VALVE			5,86
0103	OC2313	0516879400		S			PIPE FITTING	a,h,n,o,p,q,r,s,t,u		29,54
0104	000000									
0105	OC1155	0831811400		S			FILTER	a,c,e,g,i,l,m,n,p,r,s,t,u		15,97
0106	OC4198	0516896101		S			RUBBER HOLDER; G1/4" DIA 4 MM	a,c,e,g,i,l,m,n,p,r,s,t,u		13,30
0107	OC1117	0544809000		S			NONRETURN VALVE	a,c,e,g,i,l,m,n,p,r,s,t,u		6,90
0108	OC1116	0516871900		S			FITTING; RINSE AND DETERGENT PUMPS	a,c,e,g,i,l,m,n,p,r,s,t,u		10,29
0109	OC1935	0543832300		S			O-RING; ØI=6,75X1,78 MM	a,c,e,g,i,l,m,n,p,r,s,t,u		1,02
0110	OC2341	0680801201	OC6947				PUMP	a,c,e,g,i,l,m,n,p,r,s		
0111	OC1933	0696805500		S	C		SOLENOID VALVE; 90°GR 230V 50HZ; 1WAY	a,h,n,o,p,q,r,s,t,u - (until UP. 04)		16,22
0112	OC1148	0696804700		S	C		SOLENOID VALVE; 1/2" 230V 50/60HZ	a,c,e,g,i,l,m,n,p,r,s,t - (until UP. 04)		66,22
0113	OC1149	0544808600		S			END PIECE	a,c,e,g,i,l,m,n,p,r,s,t - (until UP. 04)		11,35
0114	OC1124	0544808500		S			T-FITTING	a,c,e,g,i,l,m,n,p,r,s,t - (until UP. 04)		18,68
0115	OC1126	0646813000		S			WATER PRESSURE SWITCH; 0,2 BAR	a,c,e,g,i,l,m,n,p,r,s,t - (until UP. 04)		35,63
0116	OC4246	0806864300		S		+	WASH MANIFOLD ASSY; AOSQ 061-101	a,c,e,g,i,l,m,n,p,r,s,t		33,70
0117	007009	0806818201					SUPPORT	a,c,e,g,i,l,m,n,p,r,s,t - (until UP. 04)		94,09
0117	OC6031	0806871100		S			DUCT; ASSY	a,c,e,g,i,l,m,n,p,r,s,t,u		41,21
0118	007074	0543828300		S			O-RING; ØI=29,75X3,53 MM	a,c,e,g,i,l,m,n,p,r,s,t,u - (until UP. 04)		3,57
0118	OC4201	0543841400		S			GASKET; 17X22X1,5	a,c,e,g,i,l,m,n,p,r,s,t		2,53
0119	000000	0805400000						a,c,e,g,i,l,m,n,p,r,s,t,u - (until UP. 04)		
0119	OC4467	0516898301		S			BUSHING; FCS 6	a,c,e,g,i,l,m,n,p,r,s,t		10,77
0120	OC4202	0516896000		S			LOCK NUT; INOX M16X1.5X6H	a,c,e,g,i,l,m,n,p,r,s,t,u		5,33
0121	007010	0806823100	OC5503				JET; L=422MM	a,c,e,g,i,l,m,n,p,r,s,t,u		
0122	007026	0518807100		S			SPRING	a,c,e,g,i,l,m,n,p,r,s,t,u		14,25
0123	OC1151	0544808100		S			PLUG BLU	a,c,e,g,i,l,m,n,p,r,s,t,u		3,08
0124	OC1152	0544808200		S			RED CAP	a,c,e,g,i,l,m,n,p,r,s,t,u		2,76
0125	OC4426	0873857102		S			RESERVOIR; ASSY	a,c,e,g,i,l,m,n,p,r,s,t		52,07
0126	OC1154	0544808900		S			WALL RED	a,c,e,g,i,l,m,n,p,r,s,t,u		4,13
0127	OC1153	0544808400		S			WALL BLU	a,c,e,g,i,l,m,n,p,r,s,t,u		4,13
0129	007012	0H22982600		S			PIPE	a,h,n,o,p,q,r,s,t,u		29,64
0131	OC6370	0831857200		S			MANIFOLD; ASSY	a,c,e,g,i,l,m,n,p,r,s,t,u		42,43
0132	OC6374	0696808600			D	PDD2012-17	WATER DISTRIBUTOR; 2 OUTPUP; 230V 50/60H	a,c,e,g,n,p,r,s		100,30
0133	OC6222	0546825100		S			SAFETY DEVICE	a,c,e,g,i,l,m,n,p,r,s,t,u		6,26

??????	267002									
??????	3-13602		???????? 3				Water system			
.		Alias		S			.			(Euro)
0134	0C6217	0646817200		S				PRESSURE SWITCH; GP600	a,c,e,g,i,l,m,n,p,r,s,t,u	33,50
0135	0C5426	051380500		S				STIRRUP	a,c,e,g,i,l,m,n,p,r,s,t,u	14,15
0136	0C6201	0546824100		S				PIVOT	a,c,e,g,i,l,m,n,p,r,s,t,u	1,02
0137	0C6375			S		Kit		FLOW REDUCER; KIT 4PCS	a,c,e,g,i,l,m,n,p,r,s,t,u	11,67
0138	0C6377			S		Kit		O-RING WITH BUSH; KIT	a,c,e,g,i,l,m,n,p,r,s,t,u	15,60
0139	061303	0219035015		S				RING	a,c,e,f,g	1,02

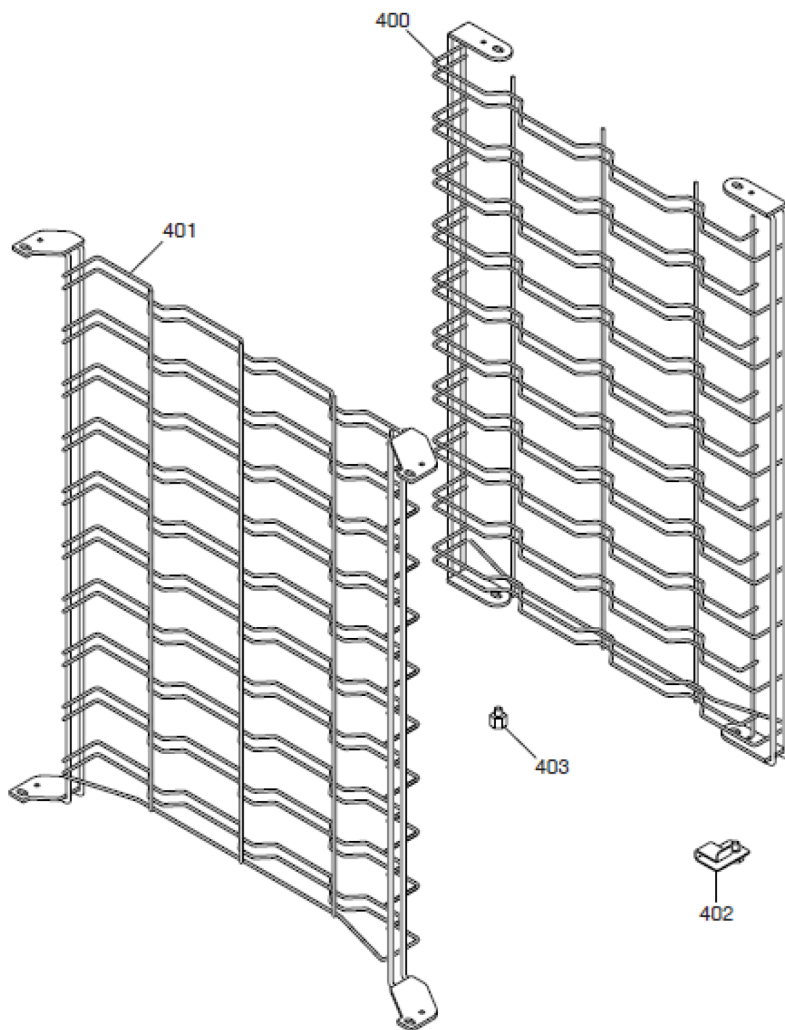


From sr. Nr/ Da Ser. Nr.: *** From status level / Da scatto: **	Page: 4	Ed. 2017 01	Doc. Nr.: 3-13602
--	---------	-------------	--------------------------

??????	267002									
??????	3-13602		???????? 4	Boiler						
.		Alias		S			.			(Euro)
0200	0C4139	0831841100	0C5374	S		+		BOILER; ASSY;AOSQ 6-10	a,h,n,o,p,q,t,u	
0200	0C5848	0831854700	0C5851					BOILER; ASSY; ELT ONE 6-101	a,h,n,o,p,q,t,u - (see code 216)	
0201	0C4109	0560855300		S				BOILER INSULATION; ELT AOSQ 6 - 10	a,h,n,o,p,q,t,u - (see code 216)	49,74
0201	0C5836	0560806900						BOILER INSULATION; ELT ONE 061-101	(see code 200)	107,60
0202	002692	0543816601		S				CAP; DESCALING LOAD IN THE BOILER	a,h,n,o,p,q,t,u	6,76
0203	002634	0543817500	0C7016					BUFFER	a,h,n,o,p,q,t,u	
0204	007033	0830890500		S		+		LEVEL PROBE; BOILER	a,h,n,o,p,q,r,s,t,u	32,99
0205	007117	0516809501		S				CONNECTION	a,h,n,o,p,q,r,s,t,u	15,81
0206	0C0882	0696804201		S				MOTOR-OPERATED VALVE; 3/4" 230V 50/60HZ	a,h,n,o,p,q,r,s,t,u	144,10
0207	0C3847	0511820300		S				REDUCING SLEEVE; 1"1/4F-3/4"M	a,h,n,o,p,q,r,s,t,u	17,11
0208	0C1626	0516872000		S				RUBBER HOLDER	a,h,n,o,p,q,r,s,t,u	7,32
0209	0C4099	0516879600		S				NOZZLE; 1/4"FD3.5-3/8"M	a,h,n,o,p,q,r,s,t,u	18,88
0210	0C4872	0543842600		S				PLUG; FOR SENSOR	a,c,e,g,n,p,r,t,u	7,29
0213	0C4532	0546815103						FRONT PANEL; LOWER; 6-10 1/1 AOSQ	a,c,e,g,n,p,r,t,u	92,16
0214	0C4248	0873881200		S				SHOWER UNIT; AOSQ	a,c,e,g,n,p,r,t,u	257,80
0215	007029	0543828800		S				O-RING; ØI=56,52X5,34MM	a,h,n,o,p,q,r,s,t,u	6,58
0215	0C5834	0543844800		S				GASKET; BOILER HEATING ELEMENT	a,h,n,o,p,q,r,s,t,u - (From s/n 917...)	19,69
0216	007076	0617824202	0C5384			+		HEATING ELEMENT; 17KW 400V	a,b,g,h,p,q - (until s/n 917...)	
0216	0C5840	0617836400		S				HEATING ELEMENT; 400V-17000W	a,b,g,h,p,q - (From s/n 917...)	189,80
0217	002874	0543816800		S				O-RING; ØI=31,34X3,53 MM	a,h,n,o,p,q,r,s,t,u	3,48
0218	0C4821	0527898600		S				FLANGE	a,h,n,o,p,q,r,s,t	7,39
0219	055347	0515857001		S				SPACER; H=11,5MM	a,h,n,o,p,q,r,s,t,u	5,81
0220	0C3442	0543839600	0C7033					GASKET	a,c,e,g,n,p,r,t,u	
0221	0C3443	0J89061403						WASHER; FOR DOOR	a,c,e,g,n,p,r,t,u	15,84



??????	267002									
??????	3-13602		???????? 5				Electrical components			
.		Alias		S			.			(Euro)
0300	0C3221	0548869900					KNOB			4,88
0301	051263	0214114900		S			LOCK NUT			3,80
0302	002727	0508836400		S			WASHER			1,02
0303	002662	0516807301		S			BUSH			6,02
0304	007057	0675838203		S			MEMBRANE	a,c,e,g,n,p,r,t,u		118,80
0305	0C4283	0873879401					CONTROL PANEL; ASSY; LW101 LIV.A AOSQ	a,c,e,g,n,p,r,t,u		347,10
0307	0C0043	0675837902		S			USER INTERFACE BOARD; COPUI20-A; LEV.A	a,c,e,g,n,p,r,t,u		604,00
0308	0C0042	0675837808		S			POWER BOARD; COP20-A; LIV A/B/C LW			588,00
0309	002670	0548836902		S			EXTENSION; L=6,95MM			1,02
0311	058771	0652800901						a,h,i,l,m,r,s		
0311	0C2301	0652803900		S			FUSE; OMEGA 800MA (COD. ST22180)	a,h,i,l,m,r,s		1,27
0312	0F0031	0652802100		S			FUSE CARRIER	a,h,i,l,m,r,s,t,u		16,08
0313	007042	0646812200		S	C		SAFETY THERMOSTAT; 357°C	a,b,s		93,15
0314	002628	0508840801		S			FLANGE			4,01
0315	002627	0574804900		S		+	LAMP GLASS			10,24
0316	002626	0543817202		S		+	LAMP HOLDER GASKET			15,39
0317	0C4396	0660808300	0C9877	S	C		HALOGEN LAMP; 12V-10W 300GR C.			
0318	007055	0660806401		S			LAMP HOLDER			21,72
0319	007081	0508896801					JALOUSIE			18,98
0320	0C0883	0646812801			D	PDD2012 -14	GEARMOTOR; 230V 50HZ; 4VA	a,b,s		79,37
0322	007053	0543828600		S			GASKET			19,54
0323	0C4285	0831828500					PIPE			73,38
0324	0C4106	0624811000		S			FAN; 220/240V 50/60HZ			37,76
0325	049303	0694605400		S			RADIO INTERFERENCE FILTER; 250V 50/60HZ	a,b,s		23,55
0326	0F0112	0639808600		S			TERMINAL BOARD			28,62
0327	047541	0694604400		S			CAPACITOR; 12,5MF			12,31
0328	0C4460	0624811600	0C6400				TRANSFORMER; 230V 12/24V 100VA	a,b,c,d,g,h,i,l,m,r,s		
0329	058557	0648803001	058857				RELAY	a,h,n,o,p,q,r,s,		
0330	007047	0624807002		S			POWER SUPPLY BOARD; LAMBDA PROBE	a,c,e,g,n,p,r,t,u		145,10
0331	006879	0648807400		S	C		CONTACTOR; 220-240V 50HZ/240-264V 60HZ	a,b,g,h,i,l,n,o		37,68
0331	088447	0648807300	087913				LAMP BODY	a,b,g,h,i,l,n,o		
0332	000000									
0333	000000									
0334	000000									
0336	0C2983	646814900		S	C		OVERTEMPERATURE LIMITER; 140GR 3P	a,h,n,o,p,q,r,s,t,u		82,80



??????	267002									
??????	3-13602	???????? 6					Tray support			
.		Alias		S			.			(Euro)
0400	0C4862	0831849200						CHROME GRID; DX ONE 101	a,b,c,d,e,f,i,m,	119,80
0401	0C4861	0831848900						CHROME GRID; SX ONE 101	a,b,c,d,e,f,i,m,	126,90
0402	0C4961	0806872800		S				SUPPORT		27,51
0403	0C0324	0830898900	0C6538					PROBE; 400 MM		
0403	0C0325	0830899000		S				TEMP.PROBE; THERMOCOUPLE; L=85CM; BOILER		39,89
0403	0C0326	0830899100	0C6539					PROBE; 1200 MM		
0403	0C5620	0511828100		S				BAKING PAN SUPPORT		11,41