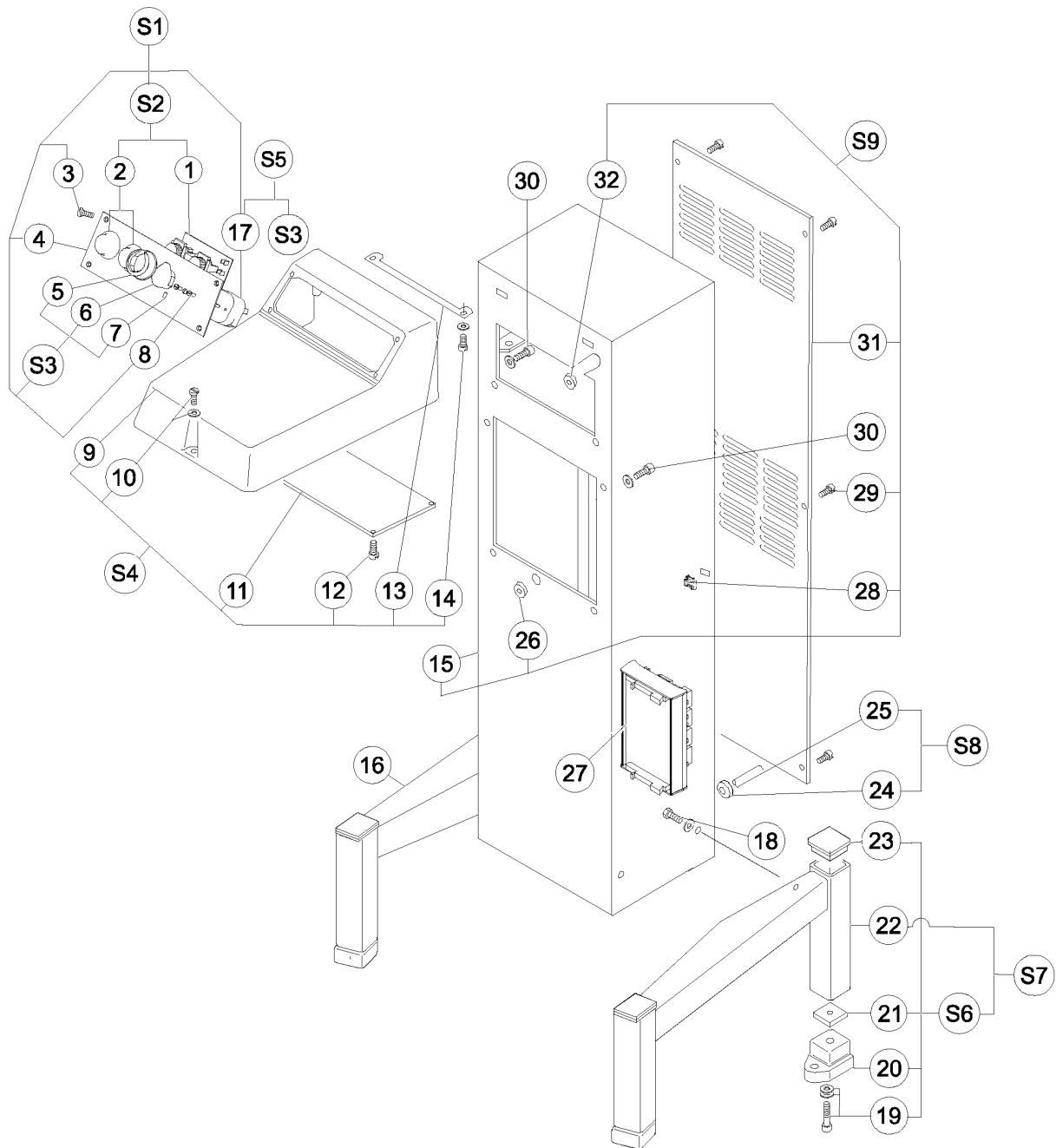


# Vue éclatée structure/ Exploded view - Structure



B

BM 20/30 FR 01 05

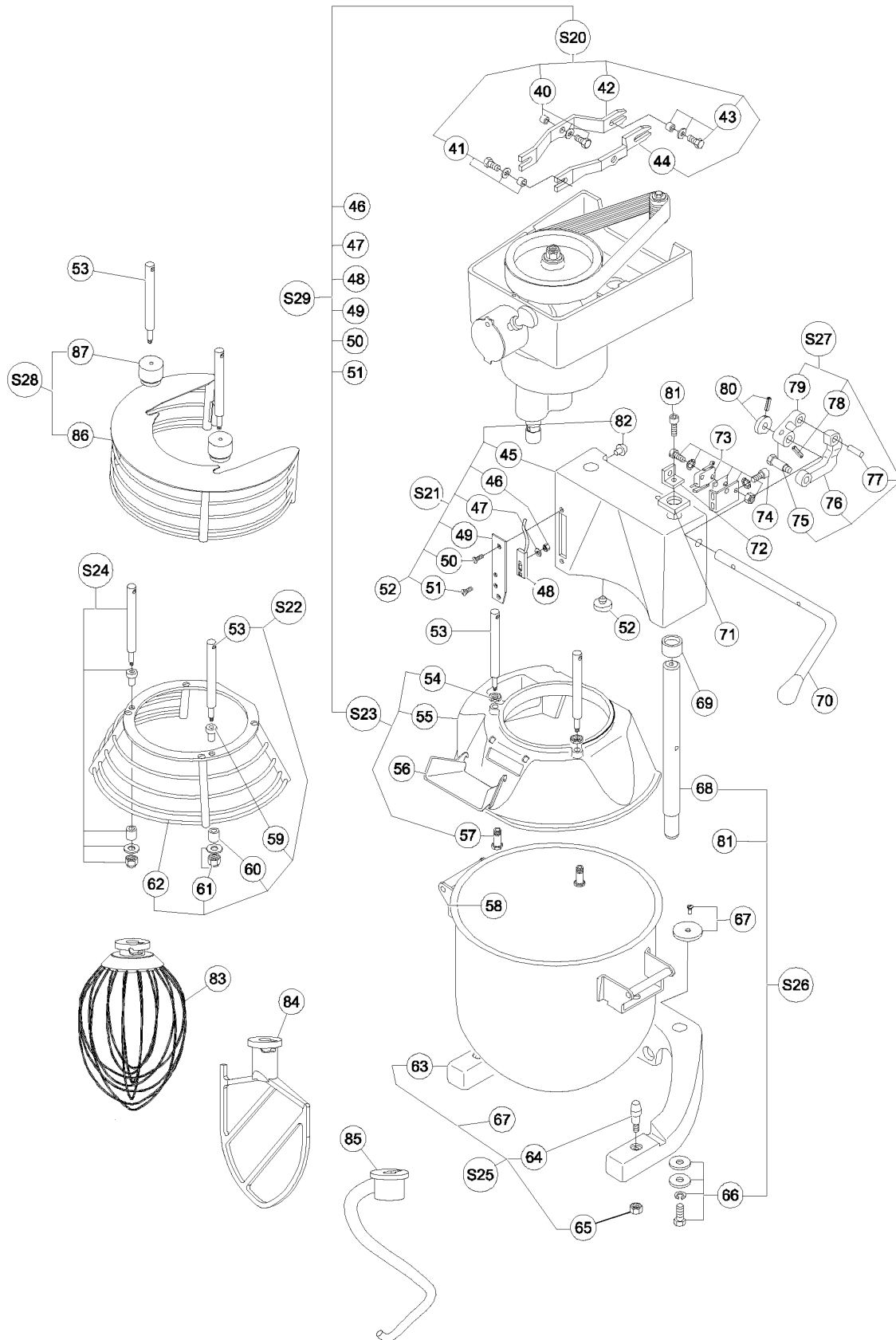
??????	601079								
??????	SP BM20-30	???????? 2					Exploded view - Structure		
.		Alias		S			.		(Euro)
0001	000000							See S2	
0002	OKR665		0D7662				PLASTIC CAP		
0003	0D0521						SCREW; 10 PCS		19,54
0004	0D2569				D		CONTROL PANEL PLATE STD 40L		32,78
0005	0D3298			S			BUTTON CLADDING UNIVERSEL		5,04
0006	0D1611			S			KNOB; POTENTIOMETER		3,59
0007	OKQ526						SCREW		19,64
0008	0D0610						K35 SCREW TC 4X8		18,58
0009	0D6212								220,30
0009	OKQ679		0G2385		D		LID		
0010	0D0549						SCREW; 10 PCS		21,01
0010	0D0629				D		WASHER; 10 PCS		21,21
0011	0D1806				D		COVER PARTITION BM40		37,25
0012	0D3429				D		SCREW PLATE M4X8 GALVA STL SET X10		20,60
0013	0D3553						COVER LUG ASSY MC40		53,90
0014	0D0537						SCREW; 10 PCS		19,22
0014	0D2297				D		WASHER CS M5 SET X10		18,20
0015	0D0485				D		BM30 COLUMN -GREY-		
0015	0D1939				D		PAINTED COLUMN RAL1013 BM20		230,40
0015	0D6048				D				325,80
0015	0D6211				D				230,40
0016	000000							See S7	
0017	0D3610						MECHANICAL TIMER 15' POS ON/OFF		33,19
0018	0D0623				D		WASHER; 10 PCS		23,14
0018	0D3554				D		SCREW H M10X25 AC 80 KG SET X10		20,40
0019	0D0598				D		SCREW; 10 PCS		21,62
0019	0D3581						FOOT WASHER MV50 (SET X10)		32,07
0020	0U0565						FOOT		14,89
0021	0D1956						NUT BM30		9,34
0022	000000							See S7	
0023	OKQ432						PLASTIC PLUG; 10 PCS		49,94
0024	0D3031				D		GROMMET 21X26X2 (SET X 10)		30,75
0025	000000							See S3	
0026	0D6184				D				23,55
0027	OKJ778			S	A		POWER BOARD; 3-PHASE		151,20
0027	OKQ429			S	A		POWER BOARD; 1-P 220/240V-50/60HZ		197,90

?????? 601079

?????? SP BM20-30 ???????? 2 Exploded view - Structure

.		Alias		S		.		(Euro)
0028	0D0640				D		NUT; 10 PCS	22,43
0029	0D3555				D		SCREW CL M4X10 STLESS STL (SET X10)	20,60
0030	0D0626						WASHER; 10 PCS	18,90
0030	0KQ492						SCREW	21,01
0031	0D2190				D		PAINTED REAR PLATE RAL1013 BM20	60,19
0031	0D6210				D			60,19
0032	0D3031				D		GROMMET 21X26X2 (SET X 10)	30,75
00S1	0U0706						CONTROL BOARD ASSY	216,20
00S2	0KJ586						CONTROL BOARD; WITH PUSH-BUTTONS	103,50
00S3	0D3469			S	A		TIMER/POTENTIOMETER. BUTTON KIT	59,07
00S4	0D6208							285,20
00S4	0G2385				D		COVER ASSEMBLY	
00S5	0KQ287			S	A		TIMER W.KNOB	74,91
00S6	0KQ430						RUBBER FOOT	44,15
00S7	0D0245				D		PIED GAUCHE EQUIPE BM20	
00S7	0D0681						EM20 LEFT LEG ASSEMBLY	
00S7	0D0682						EM20 RIGHT LEG ASSEMBLY	
00S7	0D1995				D		RIGHT FOOT ASSY BM20	
00S7	0D2516						LEFT FOOT ASSY BM30	209,10
00S7	0D2517						RIGHT FOOT ASSY BM30	209,10
00S7	0D6206				D			206,00
00S7	0D6207				D			206,00
00S8	0D6185				D			34,10
00S8	0D6186							32,99
00S9	0D2515				D		COLUMN RAL1013 ASSY BM30	368,40
00S9	0D6204				D			
00S9	0D6205				D			302,50
00S9	0U0705				D		COLUMN ASSEMBLY	306,50

# Vue éclatée Monte et baisse / Exploded view Raising and lowering of bowl



H

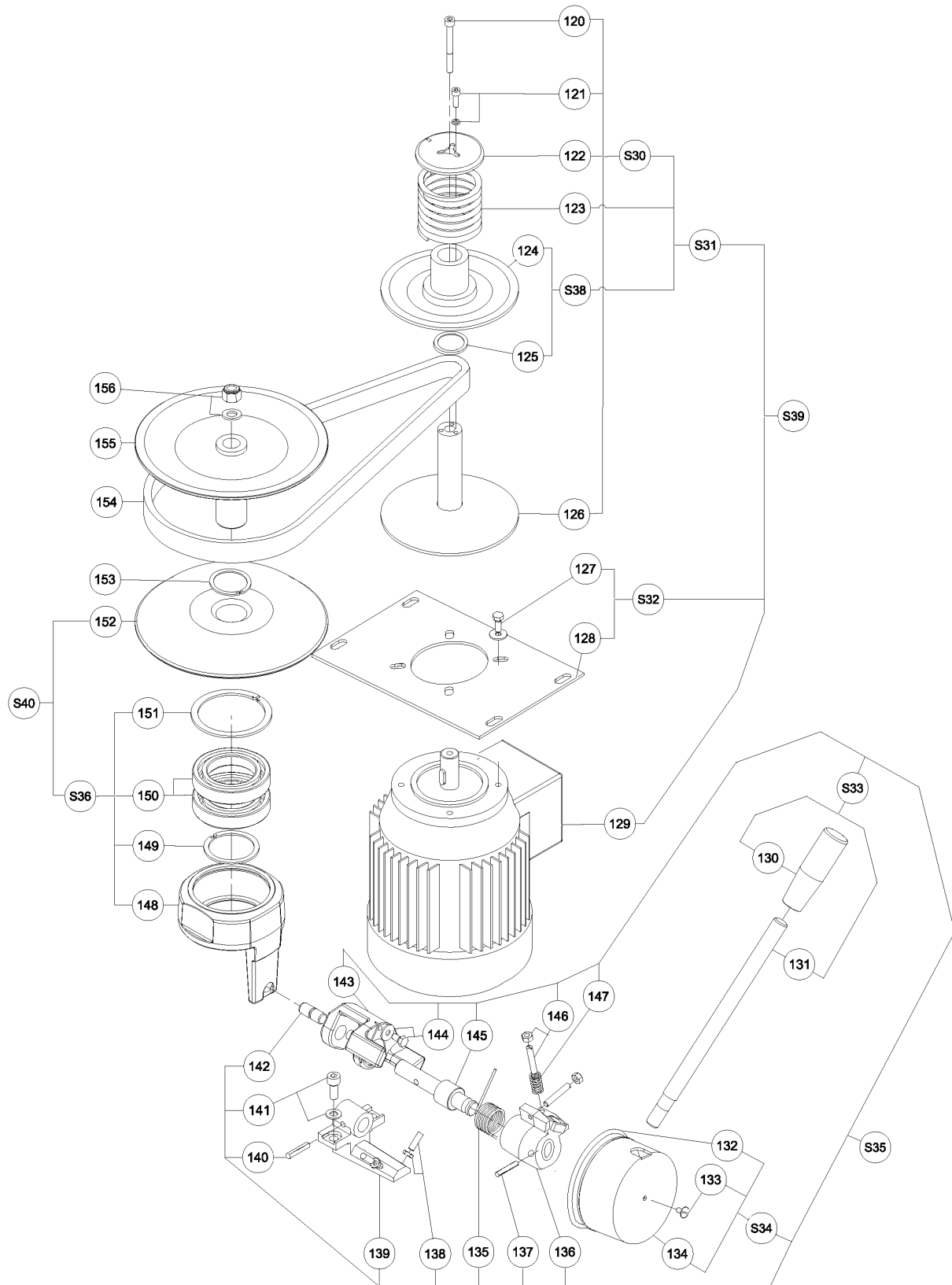
BM 20/30 FR 01 05

??????	601079								
??????	SP BM20-30	???????? 8					Exploded view Raising and lowering of bowl		
.		Alias		S		.			(Euro)
0040	0D0498						SCREW; 10 PCS		23,14
0040	0D1008						COLLAR; 6 PCS		25,88
0040	0KQ524						WASHER; 10 PCS BMX60		20,27
0041	0D0560						SCREW		20,27
0041	0D1008						COLLAR; 6 PCS		25,88
0041	0KQ524						WASHER; 10 PCS BMX60		20,27
0042	0KL041						LINK ARM LH		39,10
0043	0D1008						COLLAR; 6 PCS		25,88
0043	0D1709						SCREW; 10 PCS		22,43
0043	0KQ524						WASHER; 10 PCS BMX60		20,27
0044	0KQ680						LINK ARM RH		35,53
0045	000000							See S21	
0046	033987						SCREW; 10 PCS		18,27
0047	033986						SCREW; 10 PCS		18,06
0048	0D6190								48,31
0049	0D5964						SUPPORT; DETEC PROXI BM20		20,30
0050	0KQ558						SCREW; 10 PCS		19,54
0051	033985				D		SCREW; 10 PCS		18,37
0052	0KI611						BUFFER;10 PCS		34,92
0053	0KQ528						GUIDE		24,36
0054	0KQ529						RING		12,36
0055	000000							See S23	
0056	0KQ317						FILLING SKID		49,23
0057	0KQ530						SLEEVE		19,22
0058	653160						BOWL FOR 30LT MIXER		
0058	653426						BOWL FOR 20LT MIXER		385,80
0059	0D6191								4,11
0060	0D6192								25,07
0061	0D0583						SET OF 10 PCS BLIND NUTS M6		25,17
0061	0D0624				S		WASHER; SET 10PCS		3,97
0062	0D6193								286,20
0063	000000							See S25	
0064	0KQ284						PIN		7,29
0065	0D3590						RING NUT HU M8 WRAPPED SET X10		18,76
0066	0D0507				S		SCREW; 10 PCS		23,14
0066	0D0630				D		WASHER; 10 PCS		20,27

??????	601079								
??????	SP BM20-30	???????? 8						Exploded view Raising and lowering of bowl	
.		Alias		S			.		(Euro)
0066	0U0660							WASHER; 10 PCS	19,11
0067	0D0497							SCREW; 10 PCS	18,58
0067	0D2931			S				NYLON STOP CL21 CX21	5,69
0068	000000							See S26	
0069	0D1035							BUSH;2 PCS	39,48
0070	0KQ639							ARM	187,80
0071	0U0535							PAD EM12/EM20/EM30	5,29
0072	0D1836				D			LOWERING STOP BM20	9,15
0073	0U0558			S	A			BRACKET/MICROSWITCH ASSY (EM20)	50,04
0074	0D0546							WASHER; 10 PCS	18,17
0074	0D2108							SCREW CHC M5X10 SET X15	22,03
0075	0D5965				D			AXIS; BM20	7,60
0076	0U0531							CONNECTING LINK L/H	58,26
0076	0U0532							CONNECTING LINK R/H	56,03
0077	0KQ408							PIN; 10 PCS	54,10
0078	0D3586							PIN G01 5X30 GALVA STL (SET X10)	23,95
0079	0U0533		0D2683					CONNECTING LINK	
0080	0D2773							LIFT/LOWER SAFETY CAM ASSY XBM+BM20/30	19,42
0081	0KQ492							SCREW	21,01
0082	0U0283							RUBBER STOP	1,58
0083	653109							WHISK FOR 20LT MIXER	218,40
0083	653166							WHISK FOR 30LT MIXER	266,20
0084	653116							PADDLE FOR 20LT MIXER	177,80
0084	653165							PADDLE FOR 30LT MIXER	218,40
0085	653114							DOUGH HOOK FOR 20LT MIXER	194,50
0085	653161							DOUGH HOOK FOR 30LT MIXER	228,80
0086	000000							See S28	
0087	0D5130				D			BUSHING; 2 PCS	38,37
0S20	0D0176							BM20/BM30 ARM ASSEMBLY	81,30
0S21	0D1592							BOWL LIFT HOUSUNG ASS.	714,00
0S22	0KJ777							WIRE GUARD ASSY; EM30	650,00
0S23	0KJ759							PLASTIC SAFETY GUARD ASSEMBLY	90,84
0S24	0D0713							BM20/30 SAFETY GUARD GUIDE ASS	62,22
0S25	0H1038							CRADLE	215,20
0S25	0U0557				D			BOWL	387,70
0S26	0D0824							CHANDELLE EQUIPEE BM20	77,14

??????	601079								
??????	SP BM20-30	???????? 8	Exploded view Raising and lowering of bowl						
.		Alias		S			.		(Euro)
0S27	0D2683							CONTROL LINK ROD ASSY MB BM20	109,60
0S28	0D6067								
0S29	0KJ052			S	A			PROTECTION COVER	242,60

# Vue éclatée variateur / Exploded view - variator



N

BM 20/30 FR 06 06



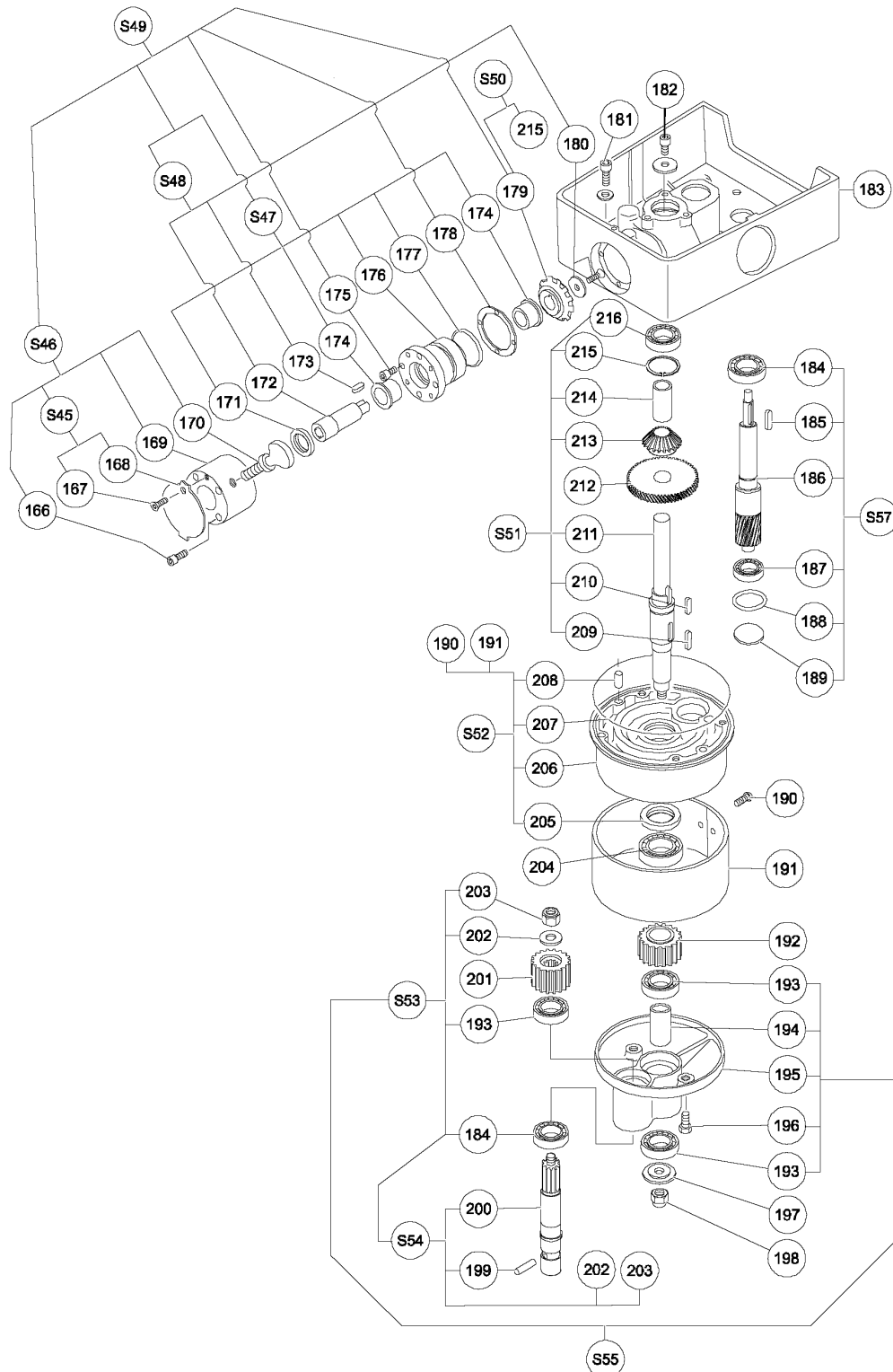
??????	601079								
??????	SP BM20-30	???????? 14					Exploded view - Variator		
.		Alias		S		.			(Euro)
0120	0D1018						SCREW; 10 PCS		25,27
0120	0D2876						WASHER W6 SET X10		17,37
0121	0D2297				D		WASHER CS M5 SET X10		18,20
0121	0D2322						SCREW CHC 8X25 B40 SET X10		20,26
0122	0U0365						CAP		15,95
0123	0KQ354			S			SPRING		39,38
0124	000000							See S38	
0125	0KQ515			S			WASHER		24,46
0126	000000							See S30	
0127	0D0499			S			SCREW; 10 PCS		20,06
0127	0D0619						WASHER; 10 PCS		19,11
0128	000000							See S32	
0129	0D0473						EM20/ME30 MOTOR 1 115 60		397,90
0129	0H1033						3-P MOTOR		274,10
0129	0KL165						MOTOR		502,00
0129	0KV692						MOTOR		508,00
0130	0D2679						HANDLE I580/90 N-16 BLACK		10,36
0131	0D6028								29,94
0132	0D6054								2,71
0133	0D0499			S			SCREW; 10 PCS		20,06
0134	000000							See S34	
0135	0KJ730			S			SPRING		4,12
0136	034008						LEVER SUPPORT; BM40		56,03
0137	0D3586						PIN G01 5X30 GALVA STL (SET X10)		23,95
0138	0D0590						NUT; 10 PCS		18,69
0138	0U0671						SCREW; 10 PCS		23,85
0139	0KI645						BUFFER		44,66
0140	0D0400						PIN; 10 PCS		23,45
0141	0KQ492						SCREW		21,01
0141	0U0660						WASHER; 10 PCS		19,11
0142	0U0449						STUD		4,96
0143	0KQ356						BRACKET		60,19
0144	0D0619						WASHER; 10 PCS		19,11
0144	0D3587						SCREW H M6X12 STL80 (SET X10)		18,57
0145	0U0361						CONTROSTAFFA		32,48
0146	0D0503						NUT; 10 PCS		18,90

?????? 601079

?????? SP BM20-30 ????????? 14 Exploded view - Variator

.		Alias		S		.		(Euro)
0146	0HD006						CHIAVETTA; 4X18	20,27
0147	0KQ353			S			SPRING	1,68
0148	0D6122				D			51,56
0149	0KQ497						C-CLAMP; 10 PCS	27,91
0150	0KQ332			S			BEARING; 6010 2RS	15,77
0151	0KQ498						CLAMP; 10 PCS	33,60
0152	000000						See S40	
0153	0D0496						CLIP; 10 PCS	23,75
0154	0KJ037						BELT; 900 W25	54,00
0155	0KQ682						FLANGE UPPER DRIVEN	181,70
0156	0D0622						WASHER; 10 PCS	19,11
0156	0U0651						SELF-LOCK NUT; M10, 10 PCS	19,54
0S30	0D6187			S				120,80
0S31	0KQ640			S			DRIVE PULLEY ASSEMBLY BM20/30	236,50
0S32	0D6189				D			54,91
0S33	0KQ230						SPEED LEVER	50,85
0S34	0KQ349			S			CAP	27,10
0S35	0KQ196			S	A		SPEED LEVER ASS EM20	342,10
0S36	0U0555						HOUSING ASSY	114,70
0S38	0KQ681			S			FLANGE	78,16
0S39	0D1621						MOTOR; ASS.; W/PULLEY -W/ SUPPORT	543,00
0S39	0KQ434						SINGLE PH MOTOR+PULLEY +SUPPORT	932,00
0S40	0U0556						FLANGE WITH HOUSING	239,50

# Vue éclatée mécanisme / Exploded view - Mechanism



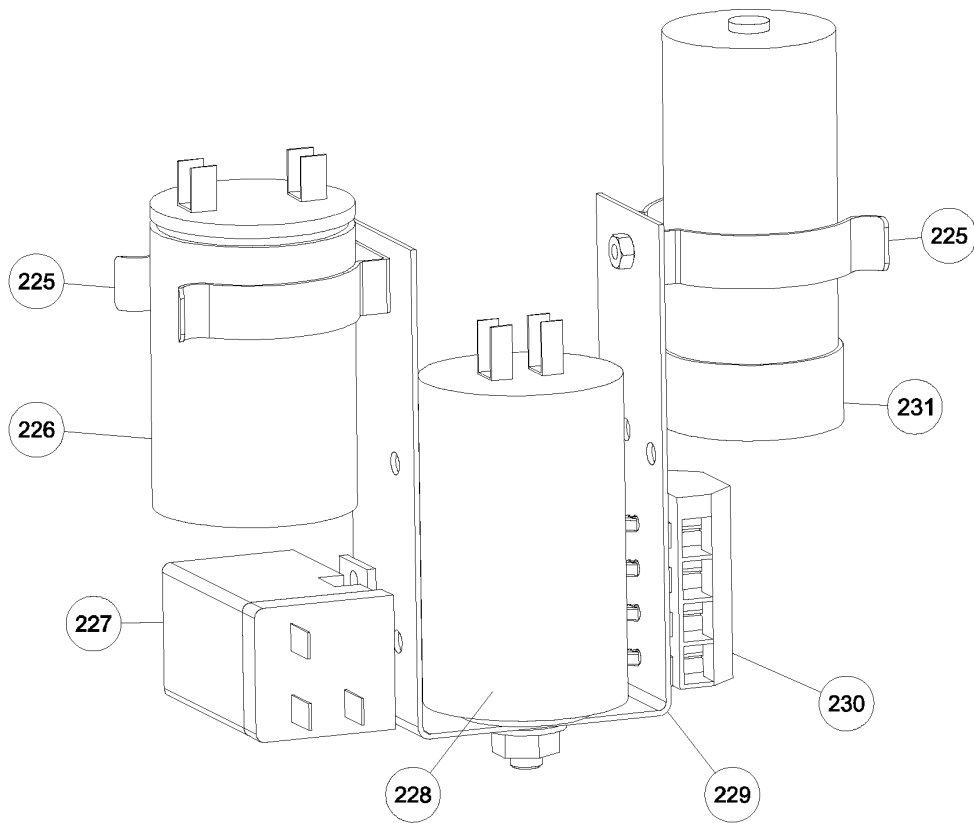
T

BM 20/30 FR 02 05

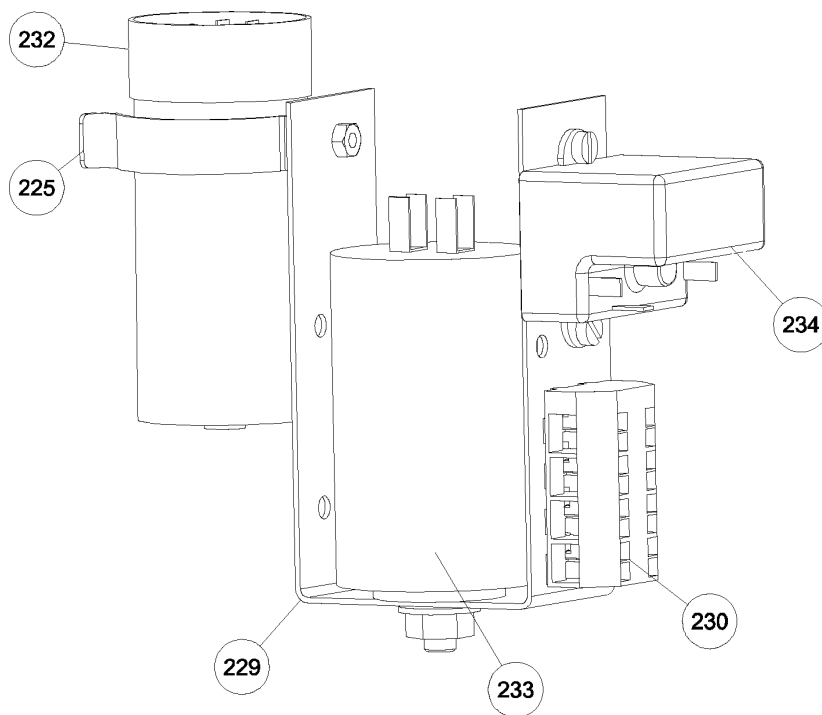
??????	601079								
??????	SP BM20-30	???????? 20					Exploded view mechanism		
.		Alias		S		.			(Euro)
0166	0D1018						SCREW; 10 PCS		25,27
0167	0D1023				D		SCREW; 10 PCS		19,54
0168	000000							See S45	
0169	OKL098						SHEATH		99,47
0170	OKQ334						WING BOLT; M10X30		13,62
0171	0H1040						SEAL; 5 PCS		26,19
0172	000000							See S48	
0173	OKQ488						KEY; 10 PCS; 10 PCS, 6X6X20 MM		23,75
0174	0H1036						BUSH FLANGED		60,19
0175	0D2322						SCREW CHC 8X25 B40 SET X10		20,26
0176	000000							See S47	
0177	0D3539								20,40
0178	0H1026						GASKET		4,65
0179	OKV691						BEVEL GEAR		152,30
0180	0D3576						MILLED WASHER (SET X5)		34,61
0180	OKQ520						SCREW; 10 PCS		20,27
0181	0D2343				D		SCREW CHC 8X75 BM30 SET X10		26,59
0181	0D6194				D				25,78
0181	OKQ492						SCREW		21,01
0182	0D0630				D		WASHER; 10 PCS		20,27
0182	OKQ492						SCREW		21,01
0183	0D1672				D		BODY		416,20
0183	0D5966				D		CORPS FINI; BM20 GRIS METAL		416,20
0184	OKQ394			S	A		BEARING; 6205 2RS		7,50
0185	OKQ509						KEY; 5 PCS		24,66
0186	OKQ686						PINION SHAFT		235,70
0187	0U0537						BEARING; 6302 2RS		7,18
0188	0D1088						JOINT TORIQUE 35,6X3,6 (J X10)		24,46
0189	0U0667						WASHER; 10 PCS		151,20
0190	0U0666						SCREW; 10 PCS		21,01
0191	0U0525				D		SLEEVE		25,98
0192	OKQ683				A		GEAR WHEEL		117,70
0193	OKQ395			S	A		BEARING; 6204 2RS		8,04
0194	OKL163				D		SPACER		9,08
0195	0U0523				D		HOUSING		194,90
0196	0U0662						SCREW; 10 PCS		23,14

??????	601079								
??????	SP BM20-30	???????? 20					Exploded view mechanism		
.		Alias		S			.		(Euro)
0197	0U0409						WASHER		5,29
0198	0U0651						SELF-LOCK NUT; M10, 10 PCS		19,54
0199	0D0955			S	A		COTER PIN; 5 PCS		31,97
0199	0D6203								152,70
0200	000000							See S53	
0201	0D3494								172,60
0202	0KQ506						WASHER; 10 PCS		20,27
0203	0U0651						SELF-LOCK NUT; M10, 10 PCS		19,54
0204	0D0006			S			BEARING		9,98
0205	0D1714				A		GASKET; 5 PCS		29,84
0206	0D0791				D		BM20 CROWN		164,40
0207	0H1025						O-RING; 1PC		
0208	0KQ500						PIN 8X20; 10 PCS		25,68
0209	0KQ487						KEY; 5 PCS		26,59
0210	0D0637						KEY; 5 PCS		19,95
0211	000000							See S51	
0212	0KQ684			S			GEAR WHEEL		110,60
0213	0U0587				D		BEVEL BAR (EM20AH MIXER)		167,50
0214	0KL162				D		SPACER		7,18
0215	0KQ484						CIRCLIP; 10 PCS		25,17
0216	0KQ393			S			BALL BEARING; 6304 2RS		8,84
0S45	0KL100						COVER PLATE ASSEMBLY		44,56
0S46	0KL099						SLEEVE ASSEMBLY FOR ATTACHMENT HUB BM30		147,20
0S47	0U0526				D		SHEATH		515,00
0S48	0H1035						ATTACHEMENT HUB SHAFT		92,67
0S49	0KV696						ATTACHMENT DRIVE ASSEMBLY		874,00
0S50	0D0831						TWIN CONICAL GEAR; BM20/30		405,00
0S51	0KJ765						SUN SHAFT ASSY		301,50
0S52	0KV698						CASING CROWN + SCREW		
0S53	0KJ764			S			DRIVE SHAFT ASSEMBLY		126,90
0S54	0D6065								136,00
0S55	0D0173						HOUSING LOWER ASSY; BM20/30		393,80
0S57	000000								

ELECTRIQUE 115V



ELECTRIQUE 230V



Z

??????	601079								
??????	SP BM20-30	???????? 26	Electric						
.		Alias		S			.		(Euro)
0225	0D3491				D			YOKE 100X18 (SET X5)	23,24
0226	0D1465							CAPACITOR; 30MF 450V	13,59
0227	0D0039							RELAY	56,03
0228	0D1539			S				PERMANENT CAPACITOR 50MF 250V	17,21
0229	0D6209								14,46
0230	0D5135							TERMINAL; 5 PCS	47,60
0231	0D1498							K55 CAPACITOR 480MF 150V	24,26
0232	0KQ203				A			CAPACITOR	30,86
0233	0H1044				A			CAPACITOR	14,75
0234	0KQ209				A			RELAY	41,62