

**BRASIERA ELETTRICA RIBALTABILE E700XP  
ELECTRIC TILTING BRASING-PAN E700XP**

PNC	Model	Ref	Brand	Version	Notes
371182	E7BREHMNFX	A	ELX	EL	60LT MILD ST.BOTTOM
371183	E7BREHDNFX	B	ELX	EL	60LT DUOMAT BOTTOM
372182	Z7BREHMNFX	C	ZAN	EL	60LT MILD ST.BOTTOM
372183	Z7BREHDNFX	D	ZAN	EL	60LT DUOMAT BOTTOM
373182	A7BREHMNFX	E	OEM	EL	60LT MILD ST.BOTTOM
373183	A7BREHDNFX	F	OEM	EL	60LT DUOMAT BOTTOM

Pagina / Page 2 Vista generale / Main view  
Pagina / Page 3 Tilting mechanics / Meccanica ribaltamento  
Pagina / Page 4 Componenti elettrici / Electric components  
Pagina / Page 5/6 Liste ricambi / Spare part list

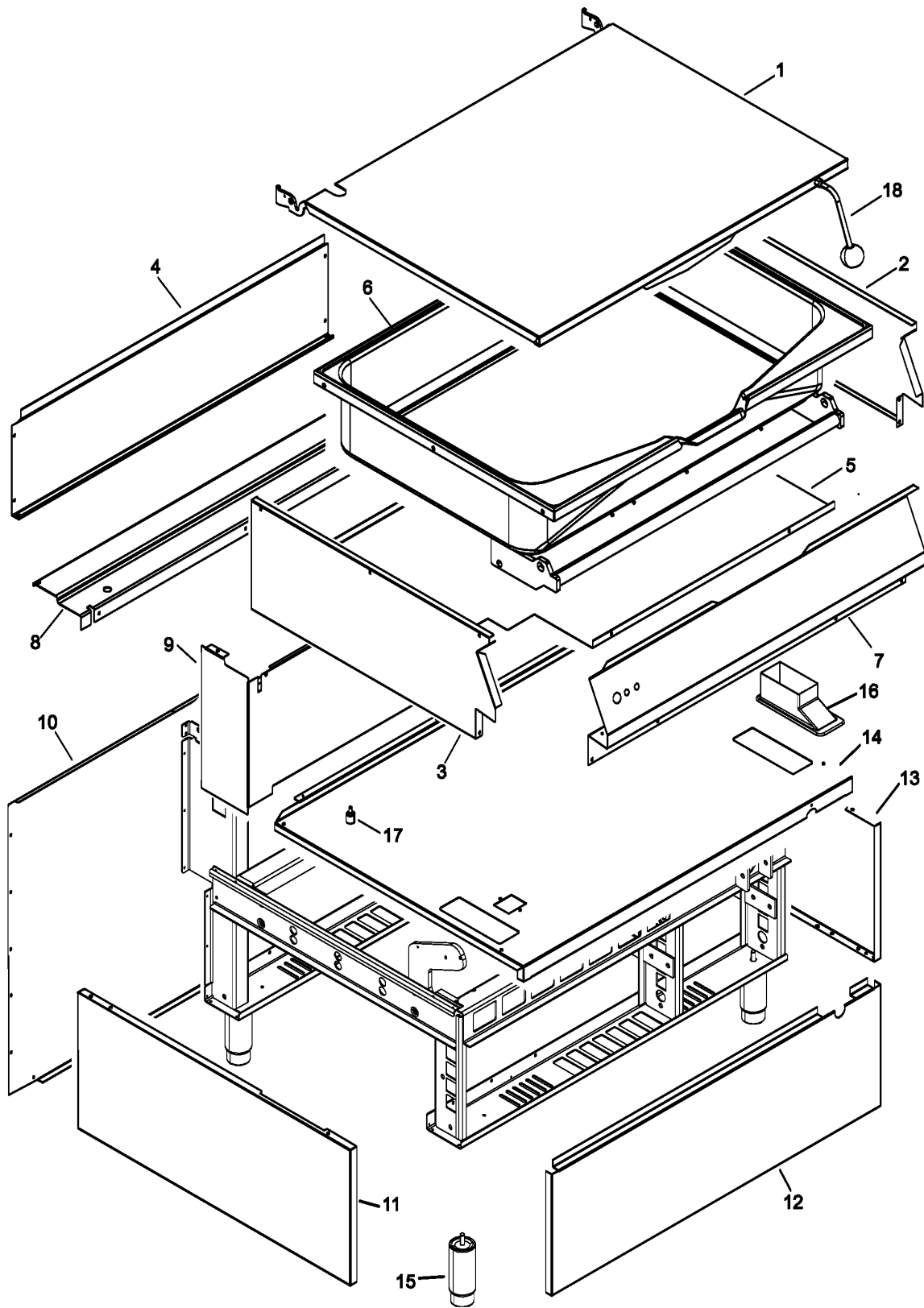
**Marchio/ Brand:** Tutti/ All  
**Paese/ Country:** Tutti/ All

Da Ser.Nr./From Ser.nr.: /201..

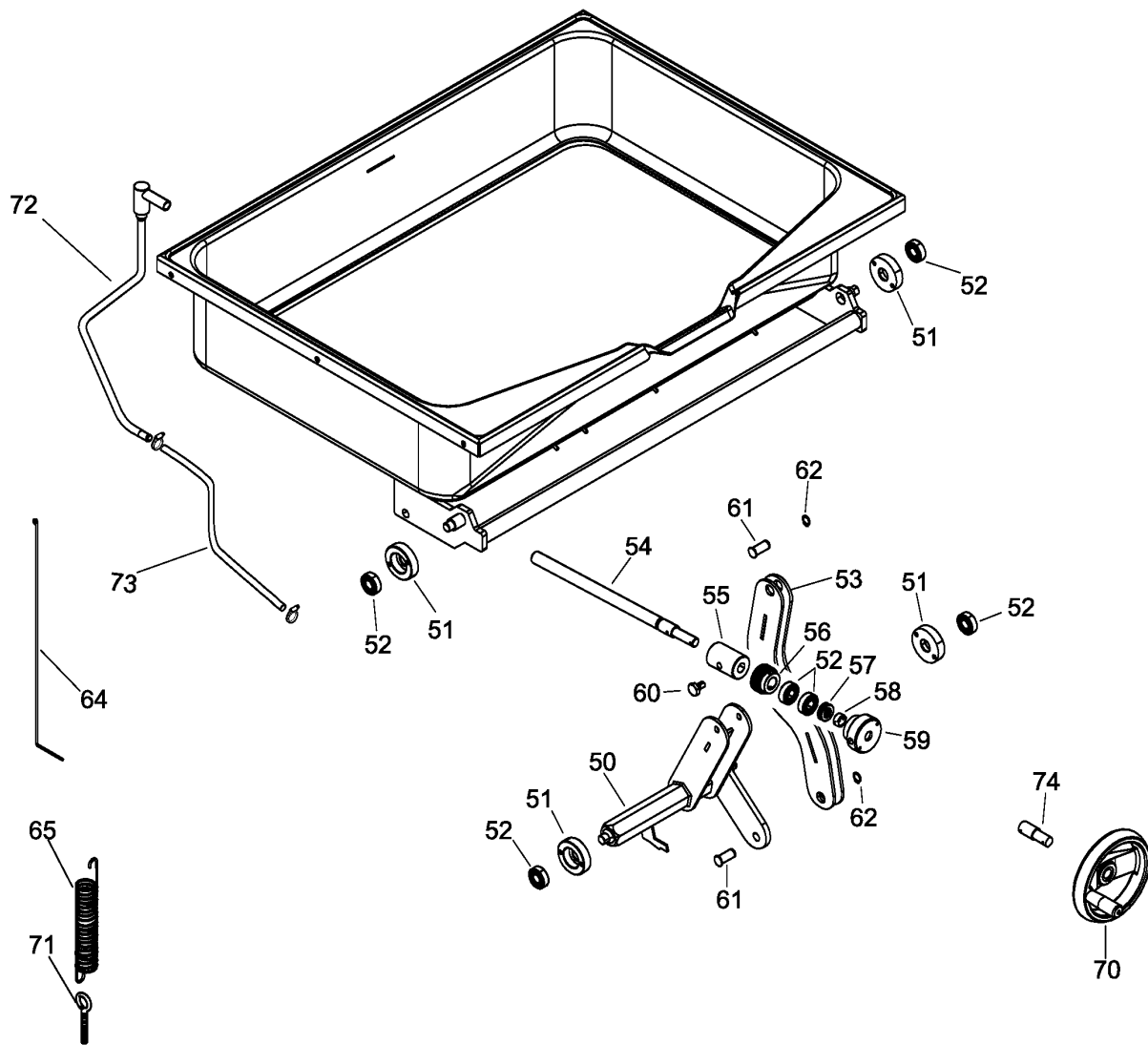
Ed.2014-06

Page: 1

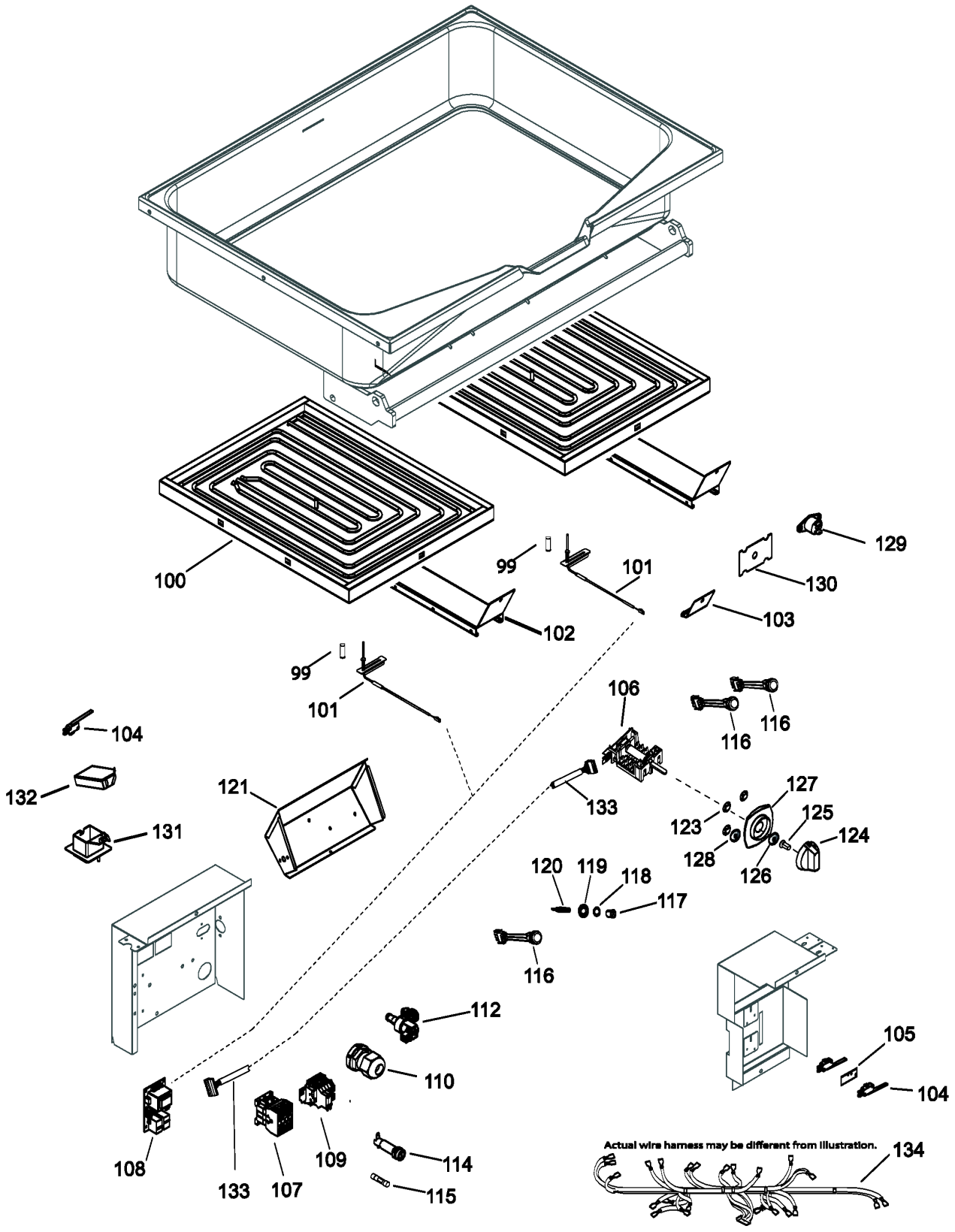
**Doc. Nr.: 59785Q600**



??????	371183									
??????	59785Q600	???????? 2					Main view			
.		Alias		S			.			(Euro)
0001	0C8505	87089NV00						LID; ASSY	60lt	437,50
0002	0CA151	5038A7801						LEFT PANEL		77,24
0003	000000	5038A7700								
0004	000000	50389MU01								
0005	000000	5038A7900								
0006	0C8506	87589BY00			D			BRATT PAN; 60LT.	b,d,f	1 638,00
0007	0C8393	83089G102						CONTROL PANEL	a,b	115,70
0008	000000	5038A7500								
0009	000000	5038A7401								
0010	000000	50389N200								
0011	000000	5038A7200								
0012	0C9018	50389W401			D			FRONT PANEL		73,18
0013	000000	5038A7300								
0014	0CA155	50389N201						BASE COVERING; BRAD PAN 60L.		174,60
0015	0C0204	835856900						FOOT; Ø=50,5MM; PIN M10; AISI 304		22,11
0016	000000	541813C00								
0017	026806	315252601			S			FOOT WITH SCREW M6; Ø=18MM		2,80
0018	0C8426	51489B800						LID HANDLE		32,48



??????	371183								
??????	59785Q600	????????? 3					Tilting mecanics		
.		Alias		S			.		(Euro)
0050	0C7406	85589CC01					LEVER; ASSY		107,60
0051	0C4332	516864901		S			BEARING SUPPORT		20,20
0052	056820	835834700					RADIAL BEARING; 35X15X11		7,12
0053	0C7399	85589CD00					LEVER		63,44
0054	000000	51489B901							
0055	0C0675	516865301		S			NUT SCREW		57,35
0056	000000	51489BA00							
0057	056821	835834600					BALL BEARING; MM.28X15X9H		9,94
0058	0C7408	51489B701		S			BUSHING		14,64
0059	000000	51489BP00							
0060	051365	214126800					PIN; L=24,5 MM		3,87
0061	0C7407	51489B600					PIVOT		10,04
0062	0C5172	219001411	0C0670				SPRING RING		
0064	000000	51489BB00							
0065	0C0666	516865201		S			SPRING		21,42
0070	0A5164	835829000					HANDWHEEL		76,02
0071	0A2551	A05144900					SCREW		5,02
0072	0C8504	83089H500					TAP		47,91
0073	0C5829	544819400	0C4832				TUBE; BLU; 10X17; BY METER		
0074	0C7563	51489BG01		S			EXTENSION		24,66



??????	371183									
??????	59785Q600		???????? 4				Electric components			
.		Alias		S			.			(Euro)
0099	0C8674	569807M00		S			STEATITE TUBE			18,84
0100	0C8503	617839C00					RADIANT PLATE; 230V 3X1580W			210,10
0101	0C7421	831857800		S	A		THERMOCOUPLE; DIA.3,17; L=1500MM; ANGLE 90°			78,46
0102	000000	50489M300								
0103	000000	50689BH00								
0104	053671	640800800					MICROSWITCH			8,04
0105	045404	246214023		S			PLAQUE			1,02
0106	0C7415	641805200		S	D		COMMUTATOR WITH POTENTIOMETER			44,15
0107	006879	648807400		S	A		CONTACTOR; 220-240V 50HZ/240-264V 60HZ			37,68
0108	0C7416	675860000			D		PCB			32,26
0109	006854	639806600		S			TERMINAL BOARD			42,22
0110	0C3528	544802400					FIXING CABLE			6,80
0112	0C4984	696807401		S	A		WATER SOLENOID VALVE; 220/240V-50/60HZ			15,86
0114	056582	652800401					FUSE HOLDER			10,08
0115	057783	452140500					FUSE; 5X20; 4A-250V			1,02
0116	0C7559	640804D00		S			PUSH BUTTON; W/OUT WIRING HARNESS 250V10A	Until 218 tb PDX2012-02		33,09
0116	0C8677	640804D01		S			PUSH BUTTON; W/WIRING HARNESS; 250V 10A	From 219 tb PDX2012-02		42,43
0117	000000	655800100								
0117	0C2182	655800200		S			ORANGE LAMP CAP			1,02
0118	0C2183	543826400		S			O-RING; 3050 DI 12,37 W 2,62 SILICONE			1,02
0119	0C2184	527815500		S			PLAQUE			1,02
0120	005010	876800002					GREEN PILOT LAMP ASSY; ROUND; 230V			4,76
0120	005011	876800102				Kit	YELLOW PILOT LAMP ASSY; ROUND; 230V			5,20
0120	0C2585	660806900					FLUORESCENT LAMP			3,24
0121	000000	50489JH00								
0123	069567	218912211	0C6288				RING CONNECTION			
0124	0C6670	511850G01	0C8700			+	KNOB; DIA.10	a,b		
0125	0C7345	548877V00		S			KNOB ADAPTER	a,b		1,57
0126	053816	543821000					GASKET; ØI=4,5MM; ØE=14MM; H=3MM			3,29
0127	0C8194	54887A601					RING NUT	a,b		7,95
0128	0C6171	541813800	0C6172				WASHER; SILICONE			
0129	0KL023	646814700		S	A		DOUBLE KLIXON	activation 250C°		18,57
0130	000000	50689BY00								
0131	000000	50489JT01								
0132	000000	507899P00								
0133	0C9773						CABLE	Just indicated cable		52,07

??????	371183								
??????	59785Q600	???????? 4	Electric components						
.		<b>Alias</b>		<b>S</b>			.		
0134	000000							Available upon request with PNC	<b>(Euro)</b>