

FRY TOP ELETTRICO E700XP
ELECTRIC FRYTOP E700XP

Model	Brand	Description	Ref	Ref
E7FTEDSSI0	ELX	EL. FRY TOP-SMOOTH PLATE 400 MM	400V	a
E7FTEDSRI0	ELX	EL. FRY TOP-RIBBED PLATE 400 MM	400V	b
E7FTEHSSI0	ELX	EL. FRY TOP-SMOOTH PLATE 800 MM	400V	c
E7FTEHSPi0	ELX	EL. FRY TOP-SMOOTH+RIBBED PLATE 800 MM	400V	d
E7FTEDHSi0	ELX	EL. FRY TOP SMOOTH HORIZONTAL PL. 400MM	400V	e
E7FTEDCSI0	ELX	EL. FRY TOP-SMOOTH CHROME PLATE 400 MM	400V	f
E7FTEHCSI0	ELX	EL. FRY TOP-SMOOTH CHROME PLATE 800 MM	400V	g
E7FTEHCPI0	ELX	EL. FRY TOP-SMOOTH+RIBB.CHR.PLATE 800MM	400V	h
E7FTEDSSIN	ELX	EL. FRY TOP-SMOOTH PLATE 400 MM	230V	i
E7FTEHSSIN	ELX	EL. FRY TOP-SMOOTH PLATE 800 MM	230V	j
E7FTEHSPIN	ELX	EL. FRY TOP-SMOOTH+RIBBED PL.800 MM	230V	k
E7FTEHCPIN	ELX	EL. FRY TOP-SMOOTH+RIBB.CHR.PL.800MM	230V	l
E7FTMDSSI5	ELX	EL. FRY TOP-SMOOTH PLATE 400 MM-MAR	400V	m
E7FTMDSSI6	ELX	EL. FRY TOP-SMOOTH PLATE 400 MM-MAR	440V	n
E7FTMDSRI5	ELX	EL. FRY TOP-RIBBED PLATE 400 MM-MAR	400V	o
E7FTMDSRI6	ELX	EL. FRY TOP-RIBBED PLATE 400 MM-MAR	440V	p
E7FTMHSSI5	ELX	EL. FRY TOP-SMOOTH PLATE 800 MM-MAR	400V	q
E7FTMHSSI6	ELX	EL. FRY TOP-SMOOTH PLATE 800 MM-MAR	440V	r
E7FTMHSPi5	ELX	EL.FRYTOP-SMOOTH+RIBBED PL.800MM-MAR	400V	s
E7FTMHSPi6	ELX	EL.FRYTOP-SMOOTH+RIBBED PL.800MM-MAR	440V	t
Z7FTEDSSI0	ZAN	EL. FRY TOP-SMOOTH PLATE 400 MM	400V	u
Z7FTEDSRI0	ZAN	EL. FRY TOP-RIBBED PLATE 400 MM	400V	v
Z7FTEHSSI0	ZAN	EL. FRY TOP-SMOOTH PLATE 800 MM	400V	w
Z7FTEHSPi0	ZAN	EL. FRY TOP-SMOOTH+RIBBED PLATE 800 MM	400V	x
Z7FTEDHSi0	ZAN	EL. FRY TOP SMOOTH HORIZONTAL PL. 400MM	400V	y
Z7FTEDCSI0	ZAN	EL. FRY TOP-SMOOTH CHROME PLATE 400 MM	400V	z
Z7FTEHCSI0	ZAN	EL. FRY TOP-SMOOTH CHROME PLATE 800 MM	400V	a1
Z7FTEHCPI0	ZAN	EL. FRY TOP-SMOOTH+RIBB.CHR.PLATE 800MM	400V	b1
Z7FTEDSSIN	ZAN	EL. FRY TOP-SMOOTH PLATE 400 MM	230V	c1
Z7FTEHSSIN	ZAN	EL. FRY TOP-SMOOTH PLATE 800 MM	230V	d1
Z7FTEHSPIN	ZAN	EL. FRY TOP-SMOOTH+RIBBED PL.800 MM	230V	e1
Z7FTEHCPIN	ZAN	EL. FRY TOP-SMOOTH+RIBB.CHR.PL.800MM	230V	f1
A7FTEDSSI0	OEM	EL. FRY TOP-SMOOTH PLATE 400 MM	400V	g1
A7FTEDSRI0	OEM	EL. FRY TOP-RIBBED PLATE 400 MM	400V	h1
A7FTEHSSI0	OEM	EL. FRY TOP-SMOOTH PLATE 800 MM	400V	i1
A7FTEHSPi0	OEM	EL. FRY TOP-SMOOTH+RIBBED PLATE 800 MM	400V	j1
A7FTEDHSi0	OEM	EL. FRY TOP SMOOTH HORIZONTAL PL. 400MM	400V	k1
A7FTEDCSI0	OEM	EL. FRY TOP-SMOOTH CHROME PLATE 400 MM	400V	l1
A7FTEHCSI0	OEM	EL. FRY TOP-SMOOTH CHROME PLATE 800 MM	400V	m1
A7FTEHCPI0	OEM	EL. FRY TOP-SMOOTH+RIBB.CHR.PLATE 800MM	400V	n1
A7FTEDSSIN	OEM	EL. FRY TOP-SMOOTH PLATE 400 MM	230V	o1
A7FTEHSSIN	OEM	EL. FRY TOP-SMOOTH PLATE 800 MM	230V	p1
A7FTEHSPIN	OEM	EL. FRY TOP-SMOOTH+RIBBED PL.800 MM	230V	q1
A7FTEHCPIN	OEM	EL. FRY TOP-SMOOTH+RIBB.CHR.PL.800MM	230V	r1

Pagina / Page 2 Vista generale / Main view

Pagina/Page 3/4 Lista ricambi / Spare parts list

Marchio/ Brand: Paese/ Country:

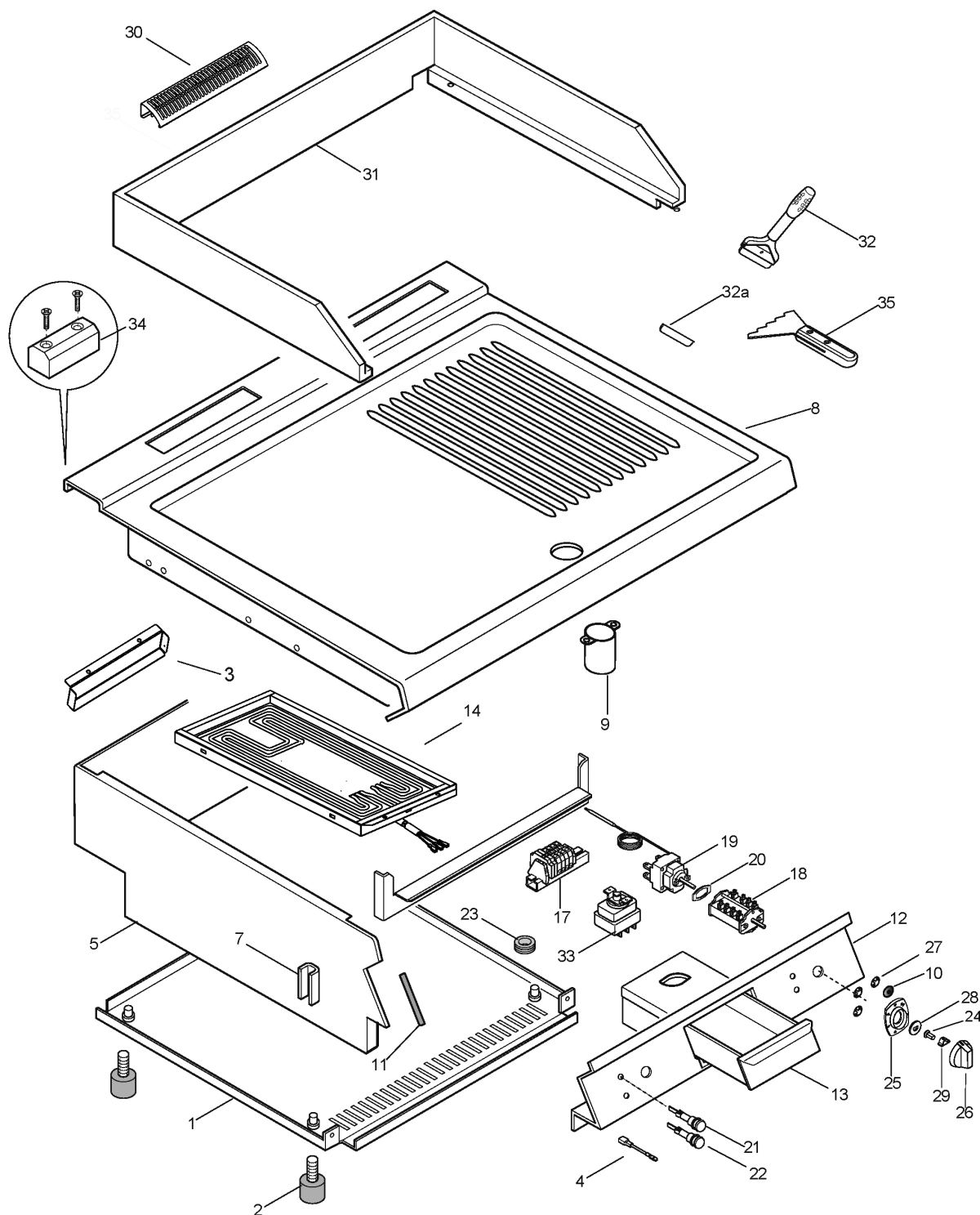
Da Ser.Nr./From Ser.nr.: / 220

Page: 1

Ed.2012-04

Doc. Nr.: 59785Q300

Vista generale / Main view



??????	371187									
??????	59785Q300	???????? 2					Main view			
.		Alias		S			.			(Euro)
0001	000000	5038A1U00								
0001	000000	5038A1V00								
0002	026806	315252601		S				FOOT WITH SCREW M6; Ø=18MM		2,88
0003	0C8479	50489MB00						HEATING ELEMENT STOPPING		14,09
0004	005370	638865100						LEAKAGE RESISTANCE; 270 OHM		4,51
0005	0C7268	85089FA01			D			COVERING PLATE	ZAN, OEM	127,39
0005	0C7536	85089F801						COVERING PLATE	ELX	133,67
0005	0C8464	85089FB01						COVERING PLATE	ZAN, OEM	133,67
0005	0C8544	85089F701						COVERING	ELX	127,39
0007	0C0156	527850500						BRACKET		2,48
0008	0C8480	87589BW01						SHELF; WITH SMOOTH PLATE	ELX	770,72
0008	0C8599	87589BX01						SHELF; WITH SMOOTH PLATE	ZAN, OEM	764,55
0008	0C8600	87589BZ01						SHELF; WITH SMOOTH PLATE	ELX	1 047,52
0008	0C8601	87589C001						SHELF; WITH SMOOTH PLATE	ZAN, OEM	1 035,17
0008	0C8602	87589CZ01						SHELF; WITH RIBBED PLATE	ELX	825,26
0008	0C8604	87589D101						SHELF; WITH RIBBED PLATE	ZAN, OEM	859,22
0008	0C8608	87589D601						SHELF; W/RIBBED PLATE; 1/3 RIBBED	ELX	1 081,48
0008	0C8609	87589D701						SHELF; W/RIBBED PLATE; 1/3 RIBBED	ZAN, OEM	1 072,22
0008	0C8613	87589DC01						SHELF; WITH CHROME PLATE	ELX	1 046,49
0008	0C8614	87589DD01						SHELF; WITH CHROME PLATE	ELX	1 513,66
0008	0C8615	87589DF01						SHELF; WITH RIBBED PLATE; 1/3 RIBBED	ELX	1 541,44
0008	0C8616	87589DG01						SHELF; WITH SMOOTH CHROME PLATE	ZAN, OEM	1 042,38
0008	0C8618	87589DJ01						SHELF; WITH SMOOTH CHROME PLATE	ZAN, OEM	1 501,31
0008	0C8620	87589DL01						SHELF; W/CHROME PLATE; 1/3 RIBBED	ZAN, OEM	1 535,27
0009	0C6237	806860102						DRAIN HOSE		14,95
0010	0C6171	541813800						WASHER; SILICONE		
0011	0C2496	543821900		S				GASKET; CONTROL PANEL; BY METER; GREY		6,25
0012	000000	87089MW00							OEM	
0012	000000	87089MX00							p1,q1,r1	
0012	0C7465	87089HN00						CONTROL PANEL	OEM	166,08
0012	0C7665	85589C800						CONTROL PANEL	ELX	167,11
0012	0C7666	85589C900						CONTROL PANEL	ELX	151,47
0012	0C7674	87089JT00						CONTROL PANEL	ZAN	151,47
0012	0C7683	87089K600						CONTROL PANEL	ZAN	167,11
0013	0C7662	85089CY00						DRAWER		129,55
0013	0C7868	85089CW00						DRAWER		101,32

??????	371187									
??????	59785Q300	???????? 2					Main view			
.		Alias		S			.			(Euro)
0014	0C8476	617839H00		S				RADIANT PLATE; 400V 4200W	400V	192,22
0014	0C8477	617839J00						RADIANT PLATE; 230V 3900W	230V	206,83
0014	0C8478	617839K00						RADIANT PLATE; 440V 4200W	440V	206,83
0017	058613	A05714000		S				TERMINAL BOARD		9,22
0018	0A2134	A05400901						SWITCH; 4-P		21,32
0019	004363	646809500						THERMOSTAT; 115-300°C	IRON	94,08
0019	0C6234	646817400		S				THERMOSTAT; 90°-270°	CHROME	65,38
0020	0A2205	A05414500						BRACKET		1,05
0021	005010	876800002						GREEN PILOT LAMP ASSY; ROUND; 230V		4,90
0022	005011	876800102					Kit	YELLOW PILOT LAMP ASSY; ROUND; 230V		5,36
0023	0C0068	544802300						FIXING CABLE		4,30
0024	0C7345	548877V00		S				KNOB ADAPTER	ELX	1,62
0025	0C7430	548879Z00						RING NUT	ZAN, OEM	8,93
0025	0C7626	548877P00						RING NUT	ELX	8,18
0026	0A5621	548865500		S				KNOB; Ø PIN=6MM	OEM	9,79
0026	0C6670	511850G01					+	KNOB; DIA.10	ELX	
0026	0C7232	548878201		S				KNOB; DIA.6	ZAN	15,93
0027	069567	218912211	0C6288					RING CONNECTION		
0028	053816	543821000						GASKET; ØI=4,5MM; ØE=14MM; H=3MM		3,45
0029	025245	214590701		S				KNOB SPRING		1,05
0030	0C7333	50389LP00		S				CHIMNEY GRID; L=400MM		26,42
0031	0C2964	532806904	0CA420					SPLASH GUARD		
0031	0C2965	532807104	0CA421					SPLASH GUARD		
0032	055995	805848202						SCRAPER; FOR SMOOTH COOKING PLATE		16,97
0033	0C8686	646817800		S	A			OVERTEMPERATURE LIMITER	CHROME	67,57
0034	0C0137	516860700					+	PLATE		
0035	056940	830851300						SCRAPER FOR RIBBED PLATE		
0036	0S0841			S				GREASE CUTTER PLUS; CART.4 PCS X LT 5 SO	1pcs = 4 x 5lt bottles	152,44
0036	0S0990							UN 1824 GREASECUTTER DETERGEN;CONF.6 FLA	1pcs = 6 x 0,75lt bottles	62,83
032a	056340							FRONT PANEL	(2pcs per code)	
032a	0C2519			S				SCRAPER BLADE; 10 PCS	(10pcs per code)	17,22