

**TUTTAPIASTRA ELETTRICO E700XP**  
**ELECTRIC HOB COOKING TOP E700XP**

PNC	Model	Brand	Ref	Description
371027	E7HOED2000	ELX	A	ELECTRIC HOB COOKING TOP 400 MM
371028	E7HOEH4000	ELX	B	ELECTRIC HOB COOKING TOP 800 MM
372027	Z7HOED2000	ZAN	C	ELECTRIC HOB COOKING TOP 400 MM
372028	Z7HOEH4000	ZAN	D	ELECTRIC HOB COOKING TOP 800 MM
373027	A7HOED2000	OEM	E	ELECTRIC HOB COOKING TOP 400 MM
373028	A7HOEH4000	OEM	F	ELECTRIC HOB COOKING TOP 800 MM

Pagina / Page 2 Vista generale / Main view  
Pagina/Page 3 Lista ricambi / Spare parts list

**NOTE : (03/2015) Upgrade on art 21, 22 with TB.**

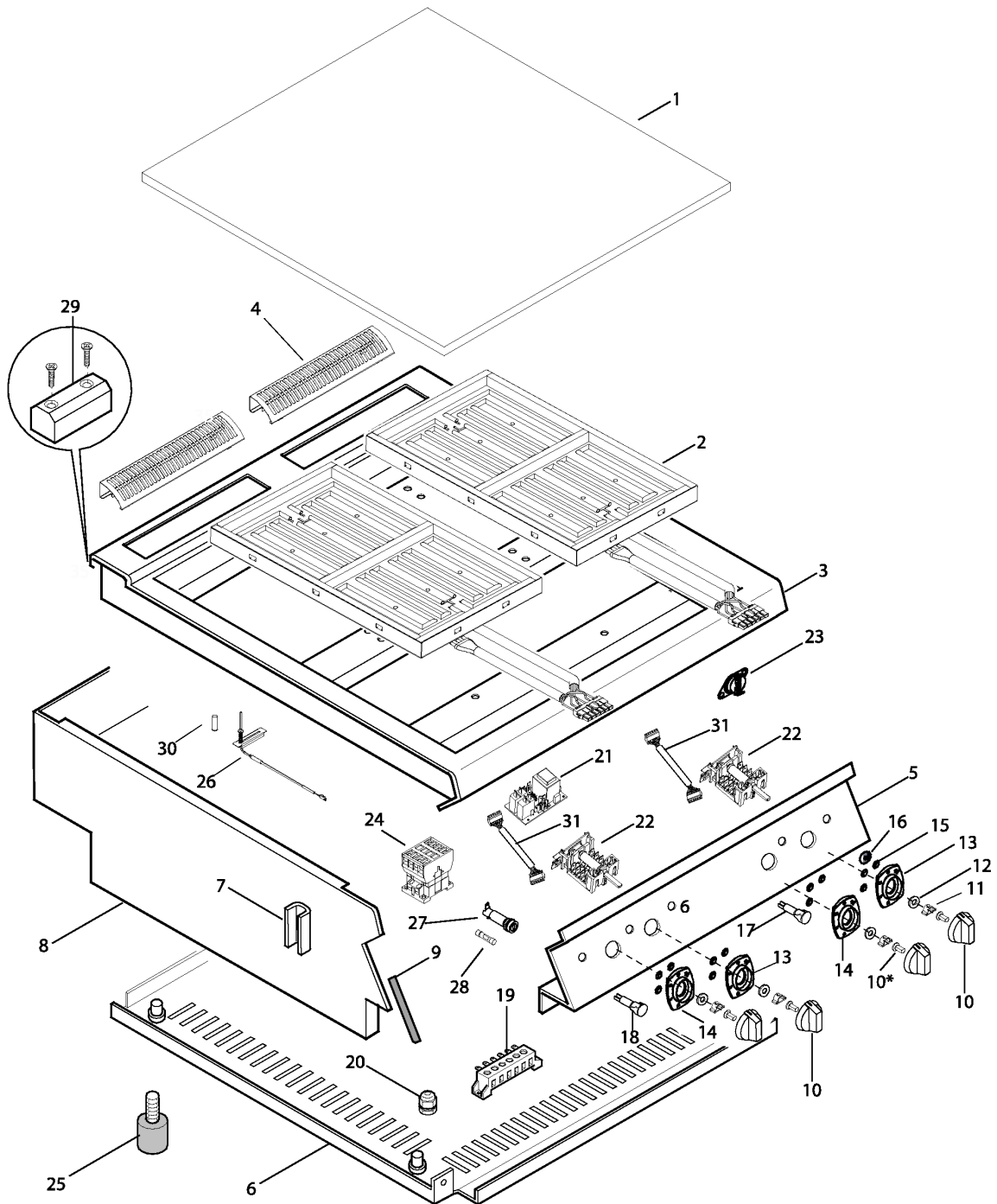
Da Ser.Nr./From Ser.nr.: /218..

Page: 1

Ed.2015-03

**Doc. Nr.: 59785PW00**

Vista generale / Main view



??????	371028									
??????	59785PW00	???????? 2	Main view							
.		Alias		S			.			(Euro)
0001	0C8548	831857700						SMOOTH PLATE; ASSY; ELECT.	B,D,F	745,00
0002	0C8545	617839100						RADIANT PLATE; 230V 2500W		242,60
0003	0C8552	87089P200						SHELF	B	347,10
0004	0C7333	50389LP00		S				CHIMNEY GRID; L=400MM		25,68
0005	0C7308	85589A400						CONTROL PANEL	B	96,43
0006	000000	5038A1V00							B,D,F	
0007	0C0156	527850500						BRACKET		2,41
0008	0C7536	85089F801						COVERING PLATE	B	129,90
0009	0C2496	543821900		S				GASKET; CONTROL PANEL; BY METER; GREY		6,07
0010	0C6670	511850G01	0C8700	S		+		KNOB; DIA.10	A,B	
0011	025245	214590701		S				KNOB SPRING		1,02
0012	053816	543821000						GASKET; ØI=4,5MM; ØE=14MM; H=3MM		3,29
0013	0C7176	548877C00						RING NUT	A,B	7,95
0014	0C7177	548877D00						RING NUT	A,B	7,95
0015	069567	218912211	0C6288					RING CONNECTION		
0016	0C6171	541813800	0C6172	S				WASHER; SILICONE		
0017	005010	876800002						GREEN PILOT LAMP ASSY; ROUND; 230V		4,76
0018	005011	876800102				Kit		YELLOW PILOT LAMP ASSY; ROUND; 230V		5,20
0019	058613	A05714000		S				TERMINAL BOARD		8,78
0020	0C0068	544802300						FIXING CABLE		4,18
0021	0C8546	673800100				D		THERMOCOUPLE PCB; 1M	B,D,F - tech.bull PDX2014-04	
0022	0C7415	641805200		S		D		COMMUTATOR WITH POTENTIOMETER	tech.bull PDX2014-03 and 04	44,15
0023	0C4223	646815700						KLIXON		40,30
0024	0C7622	648807900		S		A		CONTACTOR; 230V 50/60HZ		30,75
0025	026806	315252601		S				FOOT WITH SCREW M6; Ø=18MM		2,80
0026	0C7421	831857800		S		A		THERMOCOUPLE; DIA.3,17; L=1500MM; ANGLE 90°		78,46
0027	056582	652800401						FUSE HOLDER		10,08
0028	0C4996	652806100		S		A		FUSE; 3,15A 5X20; TIME-LAG		1,36
0029	0C0137	516860702	0C9655			+		PLATE		
0030	0C8674	569807M00		S				STEATITE TUBE		18,84
0031	000000	633847600							B,D,F	
0031	0C9773							CABLE	Only cable art31	52,07