

PNC	Model	Ref.	Group	GN	Page	Notes
240206	FCFE101-0	e	FCF	1/1	2-3-4	400V 3N 50Hz
240207	FCFE102-0	i	FCF	2/1	2-3-4	400V 3N 50Hz
240212	FCF101ELN	g	FCF	1/1	2-3-4	230V 3 50Hz Norway
240227	FCF101ENS	f	FCF	1/1	2-3-4	400V 3N 60Hz
240228	FCF102ENS	l	FCF	2/1	2-3-4	400V 3N 60Hz
240267	FCFE101-1J	h	FCF	1/1	2-3-4	200V 3 60Hz
240268	FCFE102-1J	m	FCF	2/1	2-3-4	200V 3 60Hz
260646	ECFE101-T	r	ECF	1/1	2-3-4	400V 3N 50Hz
260648	ECFE102-T	s	ECF	2-1	2-3-4	400V 3N 50Hz
260706	ECFE101-0	a	ECF	1/1	2-3-4	400V 3N 50Hz
260707	ECFE102-0	c	ECF	2/1	2-3-4	400V 3N 50Hz
260727	ECF101ENS	b	ECF	1/1	2-3-4	400V 3N 60Hz
260728	ECF102ENS	d	ECF	2/1	2-3-4	400V 3N 60Hz
697306	ACFE101-0	n	ACF	1/1	2-3-4	400V 3N 50Hz
697307	ACFE102-0	o	ACF	2/1	2-3-4	400V 3N 50Hz
697503	RCF101E	p	RCF	1/1	2-3-4	400V 3N 50Hz
697509	RCF10EK	q	RCF	1/1	2-3-4	400V 3N 50Hz - Kipro
697513	RCFE102	t	RCF	2/1	2-3-4	400V 3N 50Hz

Pag	Index	Indice	Note
2	Oven cabinet.	Cella forno	
3	Door	Porta	
4	Electrical components	Componenti elettrici	
5-7	Spare parts list	Lista ricambi	

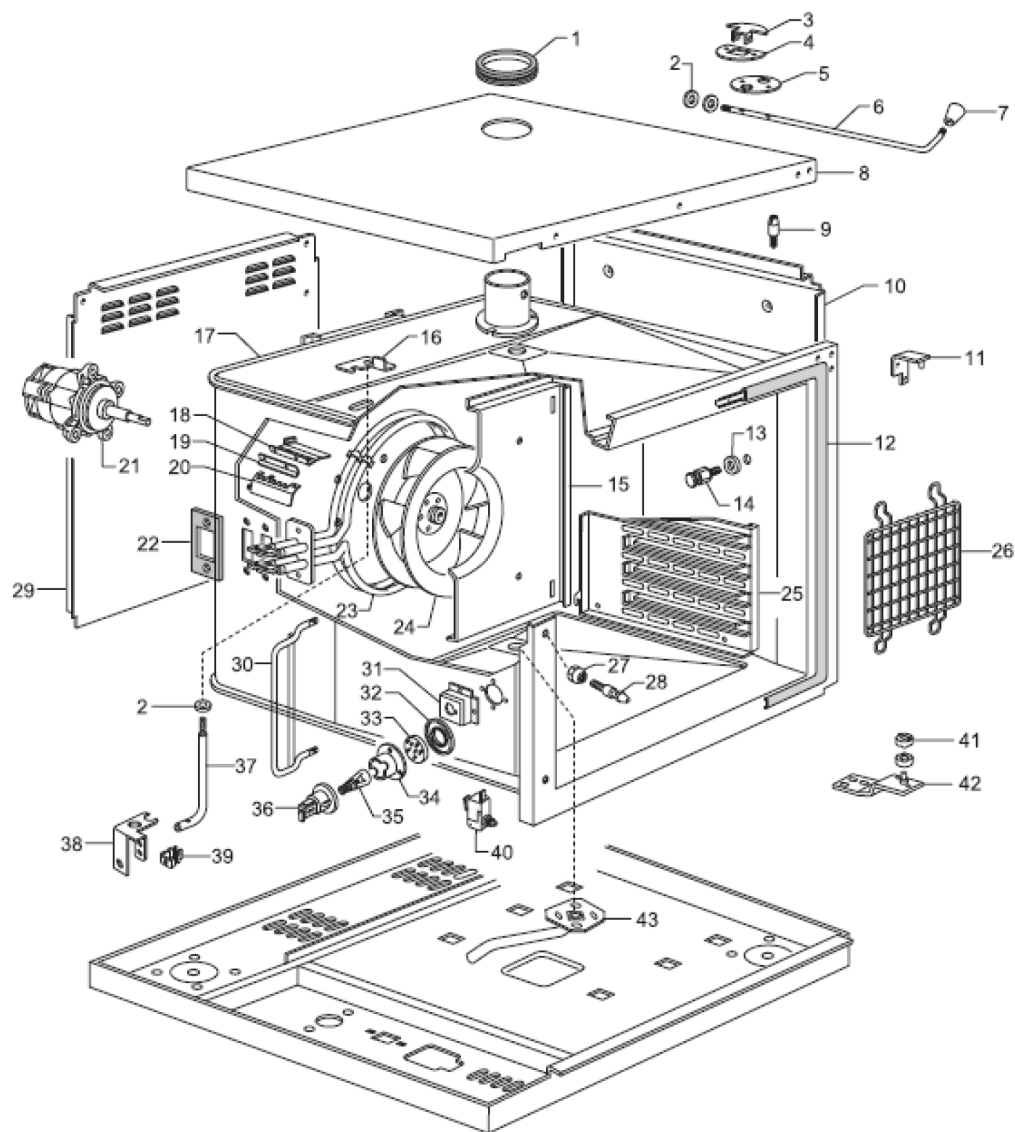
Brand/Marchio: All
 Factory code: 9PDX

From sr. Nr/ Da Ser. Nr.: 945
 From status level / Da scatto: 25

Page: 1

Ed. 2014 06

Doc. Nr.: **875401G00**

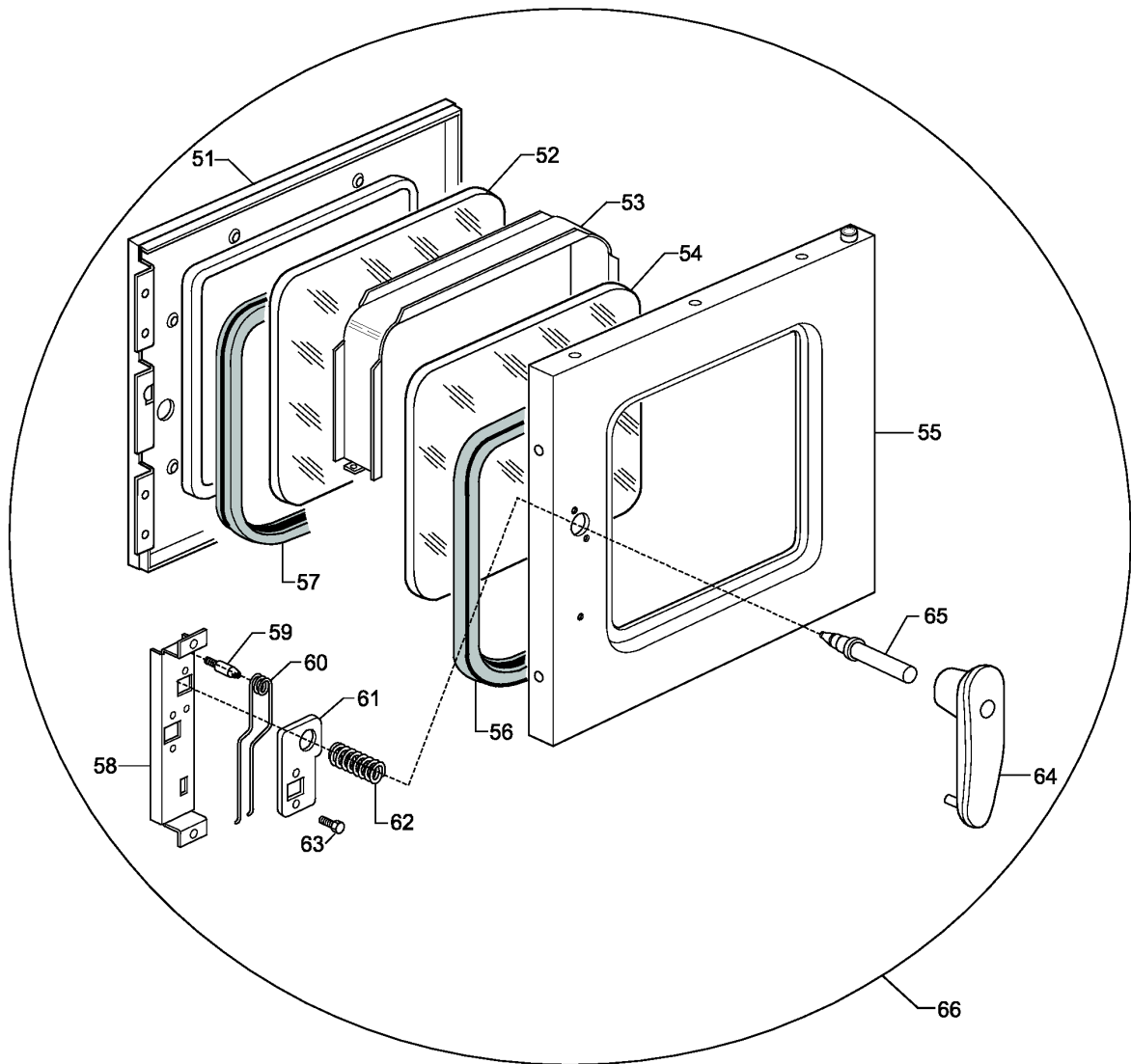


??????	260648										
??????	875401G00	???????? 2	Oven cabinet								
.		Alias		S			.			(Euro)	
0001	053829	0543801400							BUFFER	12,08	
0002	057762	0214530100							WASHER SPRING; DIA 12.5/6.2X0.7MM	1,28	
0003	0C1861	0506878100							DOOR	10,33	
0004	0C1862	0506878200							VAPOURS EXHAUST DOOR	5,98	
0005	0C1863	0506829202							THROTTLE; VAPOURS EXHAUST TUB	for FOR GN 2/1 2,17	
0006	0C4394	0516823800							ROD; VAPOR BREATHER; L= 612MM	For FOR GN 1/1 43,76	
0006	0C5397	0516823600							STEM; VAPOURS EXHAUST; L=919MM	For FOR GN 2/1 42,20	
0007	029898	0330281100							HANDLE	7,60	
0008	0C0065	0521881905						D	COVER	FOR GN 2/1 131,61	
0008	0C2998	0521882105							LID; FCFE10	FOR GN 1/1 112,78	
0009	052126	0214442702							PIN	1,98	
0010	000000	0850400G00								FOR GN 1/1	
0010	000000	0850400L00								FOR GN 2/1	
0010	0C0066	0521880502						D	R.H SIDE	FOR GN 2/1 125,33	
0010	0C0108	0521880303							R.H SIDE	FOR GN 1/1 103,41	
0011	003720	0512812401							HINGE	33,73	
0012	005712	0543825401							DOOR GASKET; 665X730 MM	100,27	
0013	003225	0516822100							SPACER	6,08	
0014	004390	0516809601							PIN	6,96	
0015	003729	0524818304						D	SUCTION WALL	FOR GN 2/1 92,96	
0015	0A5396	0524819002							WALL	FOR GN 1/1 101,52	
0016	000000	0525855300									
0017	000000	0850865910								FOR GN 1/1	
0017	0C6102	0850865111							OVEN CAVITY	FOR GN 2/1 819,08	
0018	006256	0503891801						S	BLADE; FOR FIXING HEATING ELEMENT	15,64	
0019	006253	0503897402						S	ANGLE	9,46	
0020	006255	0503891701							SUPPORT	20,47	
0021	002616	0611804002	0F0007						MOTOR	FOR GN 1/1	
0021	002739	0611804200							MOTOR; 350W 230V 1P 50/60HZ	FOR GN 2/1 237,08	
0022	002689	0543816501							HEATING ELEMENT GASKET	26,85	
0023	004081	0617818500							HEATING ELEMENT; 200V 5666W	FOR GN 1/1 - 200V 140,97	
0023	004082	0617818600							HEATING ELEMENT; 200V 8000W	FOR GN 2/1 - 200V 181,72	
0023	0C5242	0617835400						S	A	HEATING ELEMENT; 400V-8000W WITH FASTON	FOR GN 2/1 91,70
0023	0C5243	0617835500						S	A	HEATING ELEMENT; 230V-5666W WITH FASTON	FOR GN 1/1 91,08
0024	002617	0830882602							FAN BLADE	FOR GN 1/1	
0024	002740	0830807802							FAN BLADE; Ø=440X150 MM	FOR GN 2/1	

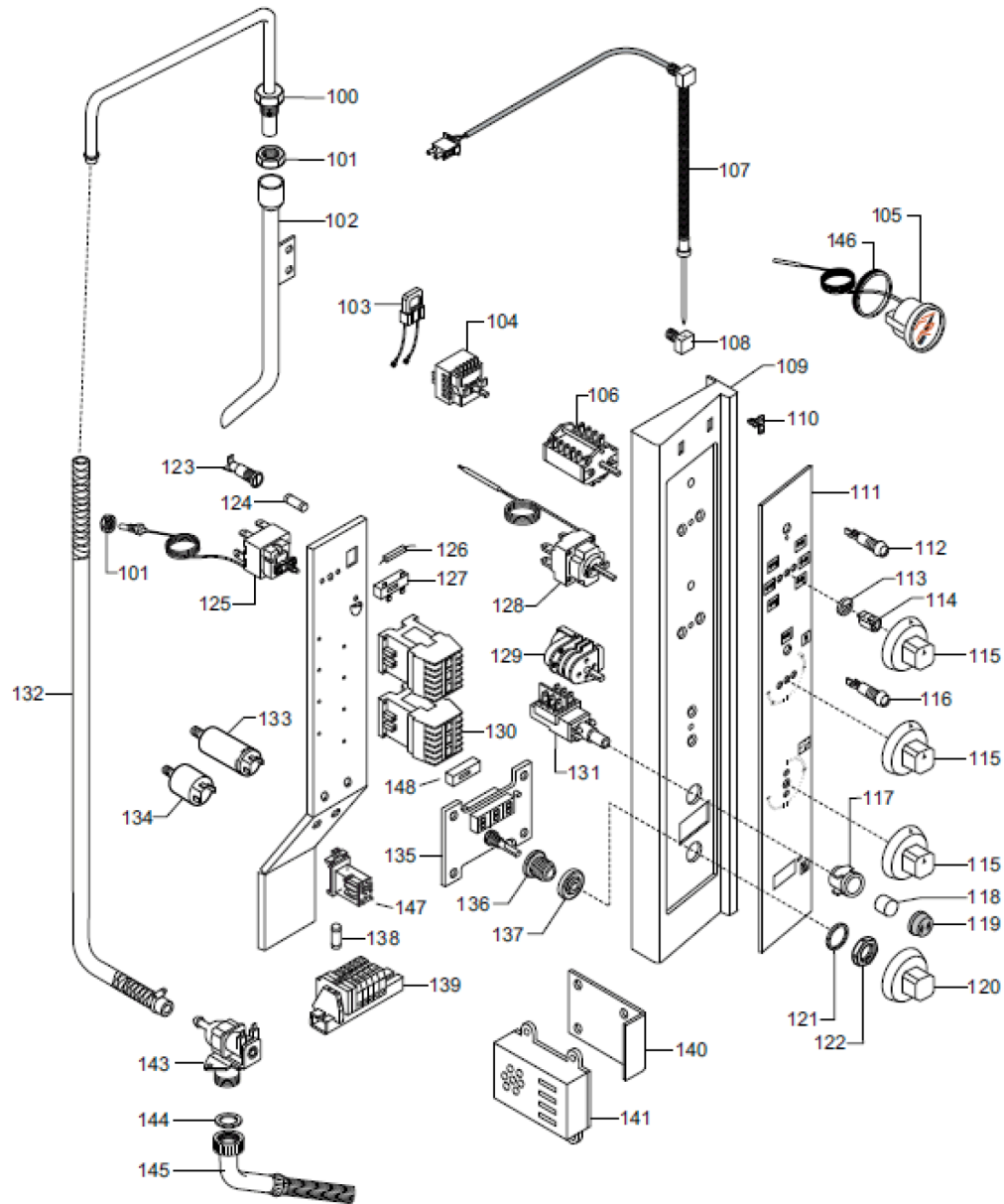
?????? 260648

?????? 875401G00 ???????? 2 Oven cabinet

.		Alias		S		.			(Euro)	
0024	0C6461	0831857502		S				FAN BLADE	FOR RCF - Kipro	205,80
0025	003707	0850865701						R.H. LIGHT DIFFUSER	FOR GN 1/1	126,36
0025	003708	0850865801						L.H. LIGHT DIFFUSER	FOR GN 1/1	126,36
0025	003717	0850865302						R.H. LIGHT DIFFUSER	FOR GN 2/1	176,47
0025	003718	0850865402						L.H. LIGHT DIFFUSER	FOR GN 2/1	154,56
0026	059620	0830824304						PROTECTION		36,88
0027	003685	0516822400						LOCK NUT		8,15
0028	003712	0516822302						CATCH		17,05
0029	0C3113	0521881102						BACK PANEL		83,25
0030	0C8427	0830813800			D			FAN PROTECTION		20,99
0031	0C4062	0508840702						LAMP HOLDER		9,02
0032	002628	0508840801						FLANGE		4,13
0033	002627	0574804900				+		LAMP GLASS		10,54
0034	002626	0543817202				+		LAMP HOLDER GASKET		15,84
0035	054840	0660802502						LAMP; 240V 25W		3,74
0036	0C5508	0660807200		S				LAMP HOLDER		6,96
0037	0C1260	0516823000						PROTECTION; THERMOSTAT		20,89
0038	004719	0524846100						BRACKET		35,29
0039	066823	0214584201						BULB FIXING SPRING		1,98
0040	046063	0640602014						DOOR MICROSWITCH		10,20
0041	002653	0510815700						SPACER FOR HINGE		14,01
0042	003721	0512812500						HINGE		28,62
0043	003776	0830812503		S				DISCHARGE HOSE		28,20



??????	260648									
??????	875401G00	???????? 3	Door							
.		Alias		S			.			(Euro)
0051	003711	0502886405						INNER DOOR		150,44
0052	002644	0574805200						GLASS;		47,74
0053	0C4472	0524820101						SPACER; FOR GLASS		24,54
0054	002644	0574805200						GLASS;		47,74
0055	006034	0851801402	0C9596					DOOR	Up to 331100..	
0055	0C9596	0851801403			D			DOOR ASSEMBLY	From 332100..	340,50
0056	002878	0543818701						DOOR GLASS GASKET; EXTERNAL; 2 MT		55,36
0057	003739	0543819902						GASKET; DOOR GLASS; COUNTERDOOR; 2 MT		69,98
0058	006939	0525864802		S				SUPPORT		17,61
0059	052126	0214442702						PIN		1,98
0060	054282	0514834100						SPRING; FOR DOOR LOCK		8,76
0061	0C0446	0527801200		S				STOPPER		3,48
0062	053757	0514825203						SPRING		3,33
0063	053759	0514824801						SCREW		2,77
0064	0C9549	0805405L01		S				DOOR HANDLE; ASSY	From 332100..	74,78
0064	0F0135	0806807500			D			HANDLE	Up to 331100..	94,73
0065	0C0447	0516850600		S				RETRACTOR	Up to 331100..	32,49
0065	0C9546	0514402800		S				RETRACTOR	From 332100..	29,14
0066	0C1614	0851801706						DOOR; ASS.	From 332100..	705,89



??????	260648									
??????	875401G00	???????? 4	Electrical components							
.		Alias		S			.			(Euro)
0100	0C5543	0806869300		S				PIPE	FOR GN 1/1	31,75
0100	0C5543	0806869300		S				PIPE	FOR GN 2/1	31,75
0101	006245	0514875601						NUT		4,89
0102	003750	0805899501						HOSE	FOR GN 1/1	50,76
0102	003751	0805897903						HOSE	FOR GN 2/1	41,15
0103	000000									
0104	0C1605	0699802200		S	A			ENERGY REGULATOR		21,94
0105	056383	0835821400		S	A			THERMOMETER; 50-350°C		77,81
0106	0C6245	0641400000		S	A			COMMUTATOR; 8 POS.		21,83
0107	002673	0830816900						CORE PROBE; PT1000	200V FOR GN 1/1	170,20
0107	006192	0830888402						PROBE	200V FOR GN 2/1	177,61
0108	002674	0511810201						STOPPING	200V FOR GN 1/1	20,89
0108	006175	0511850700						STOPPING	200V FOR GN 2/1	25,49
0109	0C5101	0851812902						CONTROL PANEL; ASSY		202,61
0110	053342	0518801801						SPRING; FOR BRAND		1,07
0111	000000	0675841401							for Group RCF up to 331100..	
0111	0C4847	0675832201						MEMBRANE	for Group ECF up to 331100..	45,75
0111	0C5536	0675823901						MEMBRANE; FCF/10	for Group FCF up to 331100..	42,61
0111	0C9576	0675824101						ADHESIVE MEMBRANE	for Group ACF up to 331100..	93,69
0111	0C9592	0541400N00						ADHESIVE MEMBRANE	for Group ECF from 332100..	55,98
0111	0C9593	0541400Q00						ADHESIVE MEMBRANE	for Group ACF from 332100..	104,44
0111	0C9594	0541400S00						ADHESIVE MEMBRANE	for Group FCF from 332100..	55,98
0111	0C9595	0541400T02						ADHESIVE MEMBRANE	for Group RCF from 332100..	114,94
0112	058544	0660804200						GREEN PILOT LIGHT; ROUND; 230/240V		3,99
0113	0C3796	0543801701	003955					GASKET; FOR KNOB		
0114	025245	0214590701		S				KNOB SPRING		1,05
0115	002672	0548837200						KNOB	for Group FCF	8,08
0115	003743	0548837400		S				KNOB	for Group ECF	8,41
0115	003743	0548837400		S				KNOB	for Group RCF	8,41
0115	0A5324	0548837900						KNOB	for Group ACF	7,33
0116	058522	0660804300						ORANGE PILOT LAMP; ROUND; 230/240V		3,77
0117	003767	0548845000						SUPPORT		2,28
0118	003768	0548844900						CAP COVER		2,82
0119	053979	0548801500						PROTECTION; FOR PUSH-BUTTON		1,54
0120	002671	0548837300						KNOB		6,12
0121	002727	0508836400						WASHER		1,05

??????	260648									
??????	875401G00	???????? 4					Electrical components			
.		Alias		S			.			(Euro)
0122	051263	0214114900					LOCK NUT			3,99
0123	056582	0652800401					FUSE HOLDER			
0124	002820	0652801800					FUSE; 160MA; SLOW-ACTING			1,29
0125	002730	0646807101					SAFETY THERMOSTAT; 338 C			80,00
0126	058872	0617813201					COMPETANCE RESISTANCE; 100 OHM			4,60
0127	058873	0639805100					TERMINAL BOARD			
0128	056384	0646804001					THERMOSTAT; 50-296 C			46,99
0129	003833	0646808400				30029	TIMER; 120 MIN; 230V 50/60HZ			
0130	006879	0648807400		S	A		CONTACTOR; 220-240V 50HZ/240-264V 60HZ	200V		38,81
0130	006879	0648807400		S	A		CONTACTOR; 220-240V 50HZ/240-264V 60HZ	FOR GN 1/1		38,81
0130	007080	0648807700		S	A		CONTACTOR; 220-240V 50HZ/240-264 60HZ	200V FOR GN 1/1		82,29
0130	0L0355	0648613200		S	A	+	CONTACTOR; 220-240V 50HZ/240-264V 60HZ	200V FOR GN 2/1		70,79
0130	0L0355	0648613200		S	A	+	CONTACTOR; 220-240V 50HZ/240-264V 60HZ	FOR GN 2/1		70,79
0131	003766	0641803100					SWITCH	200V		10,09
0132	0C4158	0544815200		S			ARMORED RUBBER HOSE; BY METER: 10X17MM			11,90
0133	047744	0694800600					CAPACITOR; 20MF	FOR GN 2/1		20,30
0133	056148	0694800300					CAPACITOR; 10MF	FOR GN 1/1		6,73
0134	049303	0694605400					RADIO INTERFERENCE FILTER; 250V 50/60HZ	FOR RCF - Kipro		24,73
0135	003763	0675817301			A		CORE PROBE PCB	For 200V		279,89
0136	002662	0516807301					BUSH			6,19
0137	002663	0543816100					GASKET			5,55
0138	058871	0652800901					FUSE; 6,3A; 5X20; QUICK ACTING			1,07
0139	059794	0639805900					TERMINAL BOARD			28,14
0140	0TTK40	0524886400	0CA260		D		BUZZER BRACKET			
0141	055368	0675800503					BUZZER			
0141	0C7006	0675400B00	0CA489				BUZZER	FOR RCF - Kipro		
0143	0C6081	0696400000		S	A		SOLENOID VALVE; 1VIA; 180°-230V/50HZ; 0,			16,32
0144	061488	0246001622					GASKET; ØI=15MM; ØE=24MM			1,03
0145	053789	0830824600					FEEDER HOSE; 3/4" F, L=150 CM			
0146	053809	0543801600					GASKET			1,05
0147	058857	064880300					RELAY	For 200V		25,87
0148	0C4704	0H58194500	046995				AUXILIARY CONTACT	For 200V		7,93