

**10 GN 1/1 AND 10 GN 2/1 GAS STEAM - CONVECTION OVEN  
FORNO CONVEZIONE - VAPORE GAS 10 GN 1/1 E 10 GN 2/1**

PNC	Model	Ref.	Page	Notes	
240 182	FCV/G 10 1/1	a	1-2-3-4	Zanussi	Level/Livello 6
240 184	FCV/G 10 2/1	b	1-2-3-4	Zanussi	Level/Livello 6
240 119	FCV/G 10 1/1	c	1-2-3-4	Zanussi -Japan 60Hz	Level/Livello 6
240 120	FCV/G 10 2/1	d	1-2-3-4	Zanussi -Japan 60Hz	Level/Livello 6
260 782	ECV/G 10 1/1	e	1-2-3-4	Electrolux	Level/Livello 6
260 784	ECV/G 10 2/1	f	1-2-3-4	Electrolux	Level/Livello 6
775 082	ZCV/G 10 1/1	g	1-2-3-4	Zoppas	Level/Livello 6
775 084	ZCV/G 10 2/1	h	1-2-3-4	Zoppas	Level/Livello 6
697 872	ACV/G 10 1/1	l	1-2-3-4	Alpeninox	Level/Livello 6
697 874	ACV/G 10 2/1	m	1-2-3-4	Alpeninox	Level/Livello 6

	<b>Index</b>	<b>Indice</b>
Pag. 1	Oven cabinet and door	Cella forno e porta
2	Gas components	Componenti gas
3	Water system	Impianto idraulico
4	Electrical components	Componenti elettrici
5-10	Spare parts list	Lista ricambi

**Brand / Marchio :** Z-E-P-A  
**Factory code:** 9731

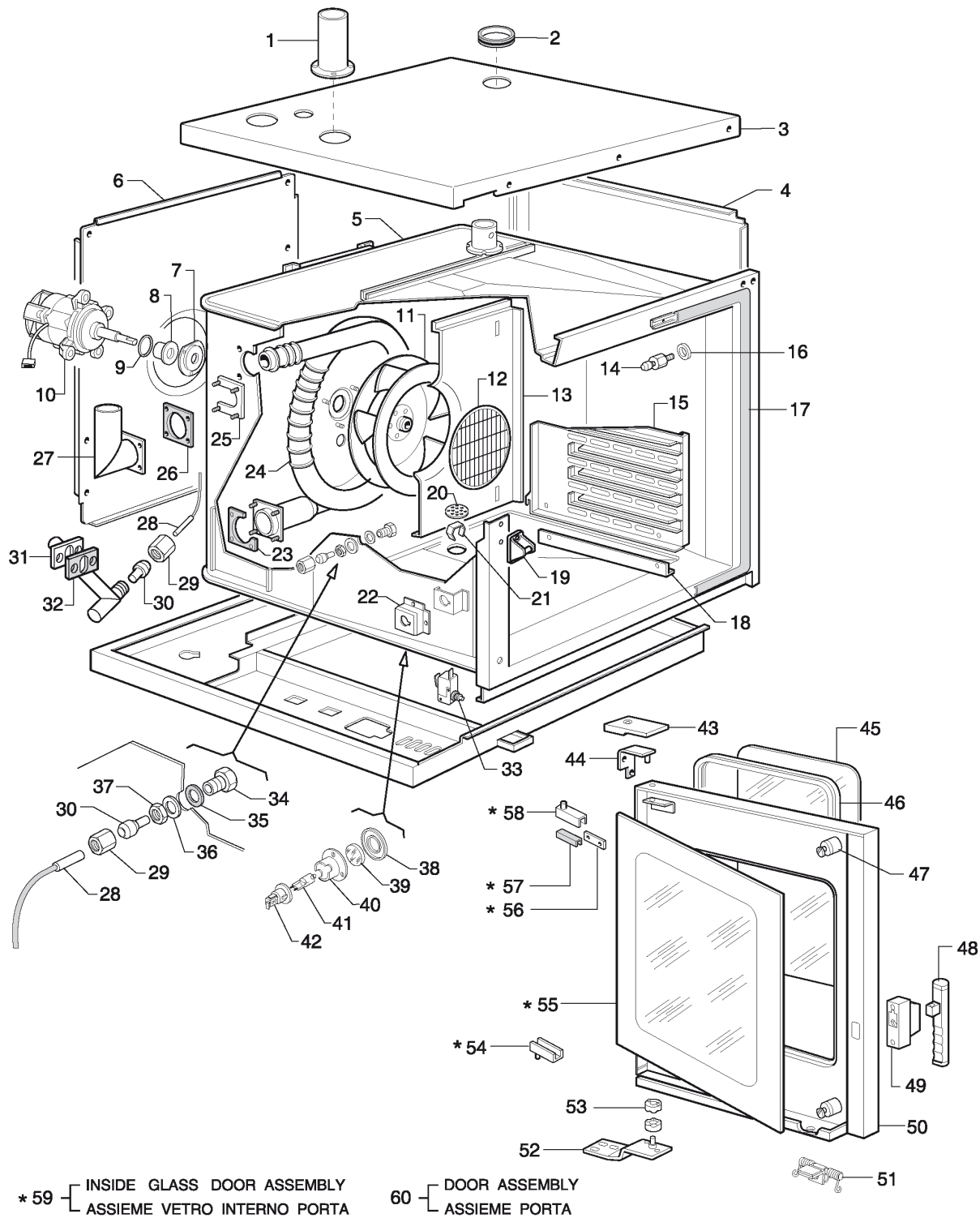
OS / DOC

From ser. nr. / Da Ser. Nr.: 503.....

Ed. 01/2014

Doc. Nr.:

**3 - 11 009**



10 GN 1/1 AND 10 GN 2/1 GAS STEAM-CONVECTION OVEN  
FORNO CONVEZIONE-VAPORE GAS 10 GN 1/1 E 10 GN 2/1

LEVEL / LIVELLO 6

From ser. nr. / Da Ser. Nr.: 503.....

Page: 1

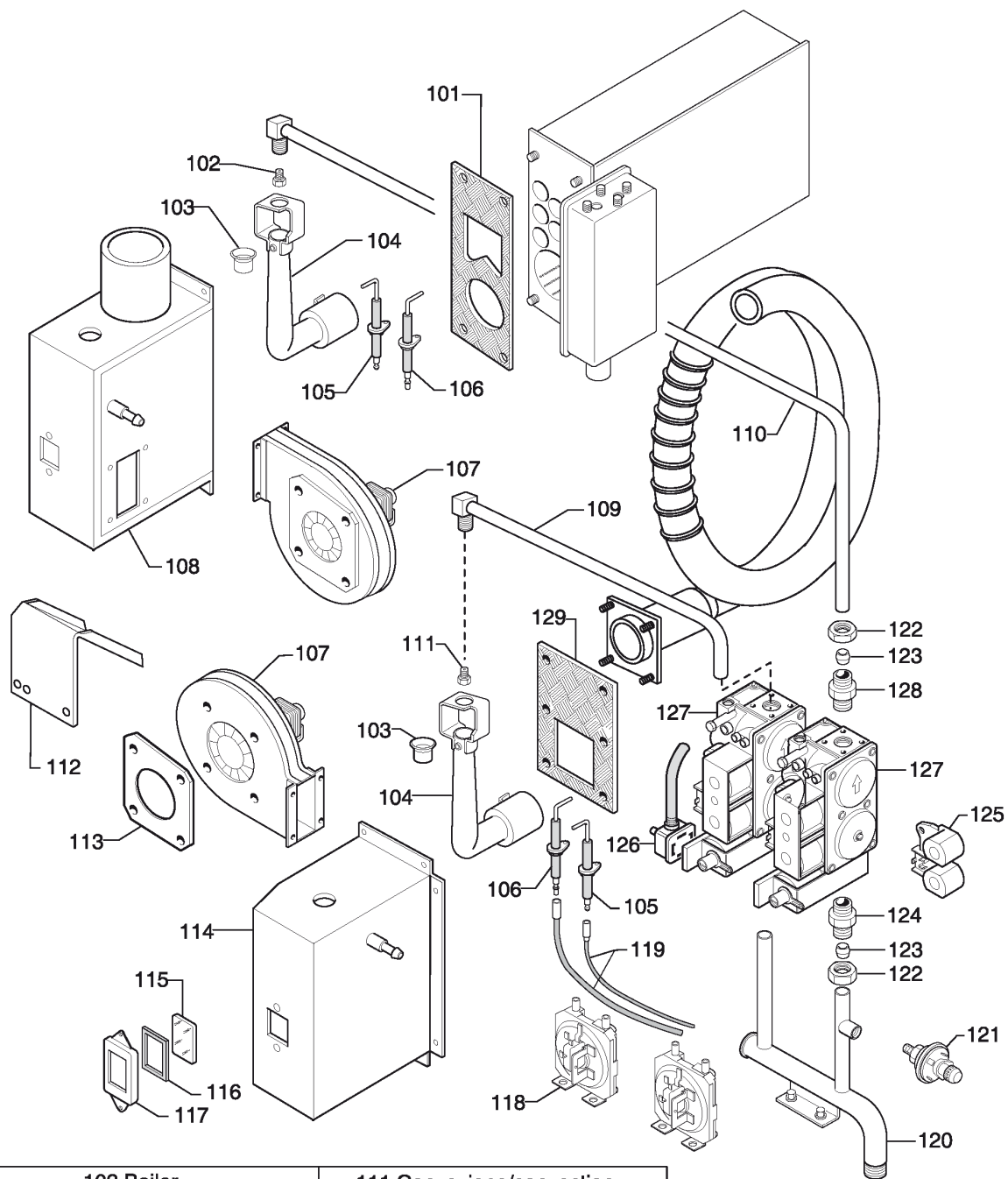
Ed. 01/2014

Doc. Nr.:

**3 - 11 009**

??????	260782								
??????	3-11009	???????? 2	Oven cabinet and door						
.		Alias		S		.			(Euro)
0001	002630						CHIMNEY ADAPTER		78,05
0002	053829						BUFFER		11,50
0003	000000	502849302						a,c,e,g,l	
0004	000000	521836002						a,c,e,g,l - R.H.	
0004	000000	521836102						a,c,e,g,l - L.H.	
0005	000000	850852709						a,c,e,g,l	
0006	000000	521855803						a,c,e,g,l	
0007	000000	508839300							
0008	002699						BEARING; FOR MOTOR SHAFT		20,50
0009	002873						O-RING; ØI=MM.28,17X3,53		2,43
0010	002698						MOTOR; 4/6POLI 190W 230V 50/60HZ	a,e,g,l	316,70
0011	002617		0C6461				FAN BLADE	a,e,g,l - 50 Hz	
0012	002618						PROTECTION SCREEN FOR FAN	a,c,e,g,l	49,74
0013	003056						REAR PANEL	a,c,e,g,l	275,10
0014	004390						PIN		6,76
0015	002619						AIR BAFFLE; RIGHT	a,c,e,g,l - R.H.	341,00
0015	002621						AIR BAFFLE; LEFT	a,c,e,g,l - L.H.	140,10
0016	003225						SPACER		5,91
0017	002654		005712				GASKET		
0018	003077						CLOSURE	a,c,e,g,l - R.H.	35,32
0018	003078						CLOSURE	a,c,e,g,l - R.H.	20,91
0019	002650						CATCH; FOR OVEN DOOR		36,03
0020	056444						STRAINER		23,55
0021	054905						SPRING FILTER; AISI 304		8,26
0022	004072						FLANGE		36,64
0023	002629					30022	GASKET; LOWER; FOR HEAT EXCHANGE	a,c,e,g,l - Till to serial 741...	24,06
0023	003873						GASKET; FOR HEAT EXCHANGER; 4 HOLES	a,c,e,g,l - From serial 742...	21,72
0024	002703					30022	HEAT ASSEMBLY EXCHANGER; FCV/G100	a,c,e,g,l - Till to serial 741...	650,00
0024	003881					30022	HEAT ASSEMBLY EXCHANGER; FCV/ G10;4HOLES	a,c,e,g,l - From serial 742...	606,00
0025	000000	806805200						a,c,e,g,l	
0026	002704					30022	GASKET	a,c,e,g,l - Till to serial 741...	7,32
0026	003875					30022	GASKET F/HEAT EXCHANGER; 4 HOLE	From serial 742...	6,90
0027	000000	805883003							
0028	002615		0C5342			+	TEMPERATURE PROBE		
0029	002702						NUT		22,94

??????	260782									
??????	3-11009	???????? 2	Oven cabinet and door							
.		Alias		S			.			(Euro)
0030	002701							INSULATOR		3,59
0031	000000	805887301								
0032	002614							GASKET		9,65
0033	046063							DOOR MICROSWITCH		9,90
0034	002623							PIPE FITTING		10,04
0035	002624							GASKET; SET 50 PCS		24,16
0036	002700							WASHER		3,07
0037	020997							LOCK NUT		1,25
0038	002628							FLANGE		4,01
0039	002627						+	LAMP GLASS		10,24
0040	002626						+	LAMP HOLDER GASKET		15,39
0041	002956		0C9877					LAMP; HALOGEN 20W 12V		
0042	002709		0C1555					LAMP HOLDER		
0043	002817							HINGE COVER	e,f,g,h	261,90
0044	002651							HINGE		57,75
0045	005254							GLASS; 1305 MM	e,f	215,20
0046	002878							DOOR GLASS GASKET; EXTERNAL; 2 MT		53,80
0047	004838							GLASS DOOR BLOCK RING		100,80
0048	002722		0F0029					HANDLE	e,f,g,h	
0049	002647							DOOR LOCK		171,50
0050	002642						D	DOOR		2 162,00
0051	003773							DRAIN CONDENSATION MECHANISM; FCV		59,48
0052	002652							HINGE		56,03
0053	002653							SPACER FOR HINGE		13,62
0054	002875							HINGE		38,27
0055	002646		0C0942					GLASS; DOOR		
0056	002877							PLAQUE		3,29
0057	002645							GASKET		5,11
0058	002876							HINGE		47,50
0059	003541							GLASS;671X 755MM		264,90
0060	000000	850891100							e,f	



102 Boiler				111 Convezione/convection			
59359	∅ 3,60 G.N.	cat."H-E-L"	acegl	59359	∅ 3,60 G.N.	cat."H-E-L"	acegl
59528	∅ 3,95 G.N.	cat."H-E-L"	bdffhm	02864	∅ 4,50 G.N.	cat."H-E-L"	bdffhm
02866	∅ 3,90 G.N.	cat. "LL"	acegl	02866	∅ 3,90 G.N.	cat. "LL"	acegl
02863	∅ 4,35 G.N.	cat. "LL"	bdffhm	A2305	∅ 5,20 G.N.	cat. "LL"	bdffhm
A2081	∅ 2,30 G.P.L.	30-37 mbar	acegl	A2081	∅ 2,30 G.P.L.	30-37 mbar	acegl
59382	∅ 2,50 G.P.L.	30-37 mbar	bdffhm	59358	∅ 2,85 G.P.L.	30-37 mbar	bdffhm
A2102	∅ 2,00 G.P.L.	50 mbar	acegl	A2102	∅ 2,00 G.P.L.	50 mbar	acegl
A2083	∅ 2,20 G.P.L.	50 mbar	bdffhm	58980	∅ 2,45 G.P.L.	50 mbar	bdffhm

10 GN 1/1 AND 10 GN 2/1 GAS STEAM-CONVECTION OVEN  
 FORNO CONVEZIONE-VAPORE GAS 10 GN 1/1 E 10 GN 2/1

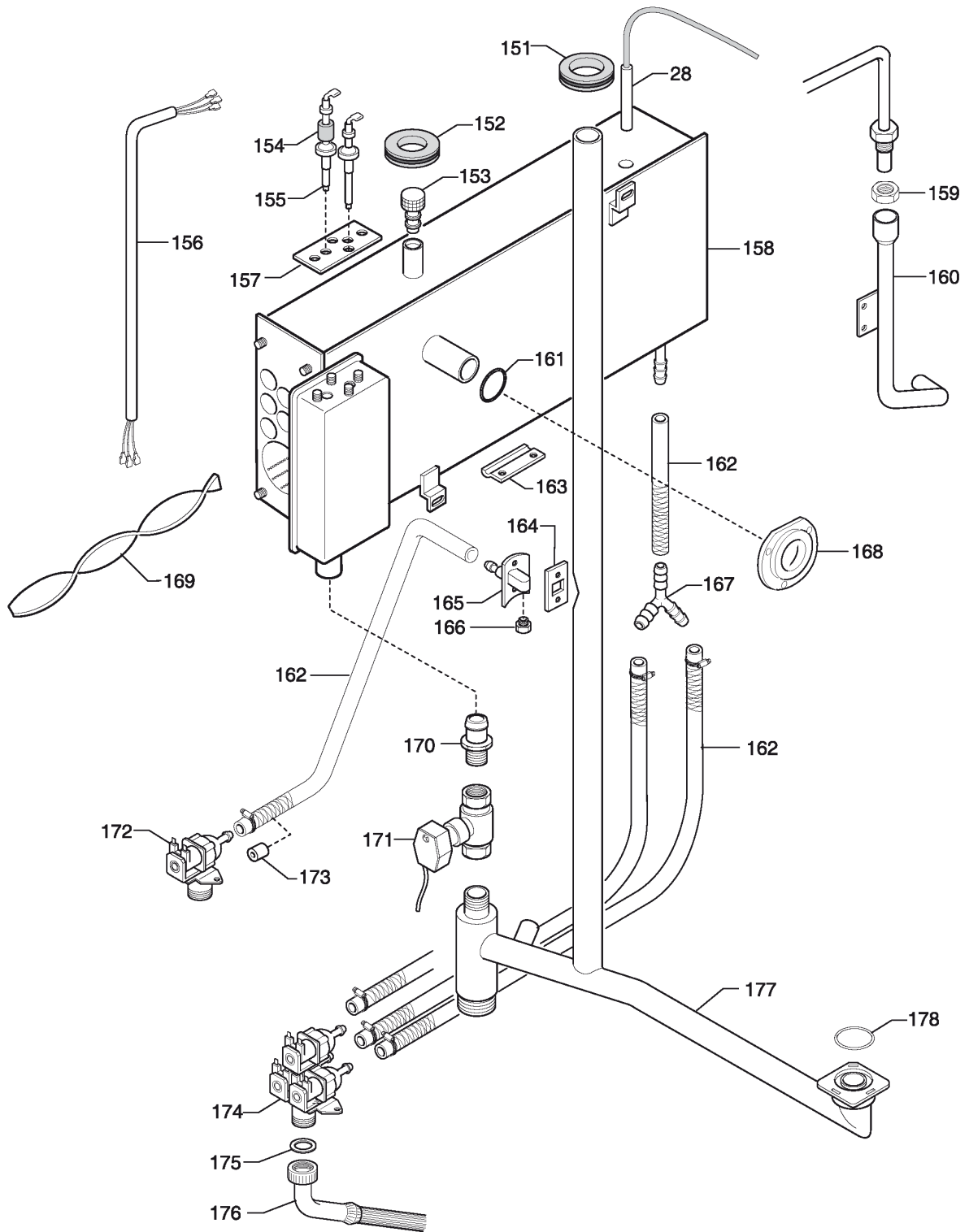
LEVEL / LIVELLO 6

From ser. nr. / Da Ser. Nr.: 503.....	Page: 2	Ed. 01/2014	Doc. Nr.: <b>3 - 11 009</b>
---------------------------------------	---------	-------------	-----------------------------

??????	260782								
??????	3-11009		???????? 3				Gas components		
.		Alias		S		.			(Euro)
0000	002863						NOZZLE; 4,35MM		12,55
0000	002864						NOZZLE		1,73
0000	002866						NOZZLE		14,65
0000	058980						NOZZLE; DIAM.2,45		7,85
0000	059358						NOZZLE; DIA.2,85		1,73
0000	059359						NOZZLE		8,26
0000	059382						NOZZLE		6,17
0000	059528						NOZZLE		1,73
0000	0A2081						GAS NOZZLE; DIA 2,30		7,85
0000	0A2083						NOZZLE; N°220; NATURAL GAS		7,85
0000	0A2102						NOZZLE		6,17
0000	0A2305						NOZZLE		0,61
0101	002706						INSULATING GASKET; BOILER BURNER BOX		11,46
0102	002866						NOZZLE	a,c,e,g,l - G.N. cat."LL"	14,65
0102	059359						NOZZLE	a,c,e,g,l - G.N. cat."H-E-L"	8,26
0102	0A2081						GAS NOZZLE; DIA 2,30	a,c,e,g,l - G.P.L. 30-37 mbar	7,85
0102	0A2102						NOZZLE	a,c,e,g,l - G.P.L. 50 mbar	6,17
0103	051774						AIR ADJUSTING BUSH		13,07
0104	002636						BURNER		125,90
0105	002637						SPARK PLUG; Ø=9MM; L=60MM		9,70
0106	002638						ELECTRODE; FLAME DETECTION: Ø9X60 MM		10,20
0107	002639						RADIAL FAN; 220/240V 50HZ		195,90
0108	000000	850852002							
0109	000000	805882904						a,c,e,g,l	
0110	000000	805882803						a,c,e,g,l	
0111	002866						NOZZLE	a,c,e,g,l - G.N. cat."LL"	14,65
0111	059359						NOZZLE	a,c,e,g,l - G.N. cat."H-E-L"	8,26
0111	0A2081						GAS NOZZLE; DIA 2,30	a,c,e,g,l - G.P.L. 30-37 mbar	7,85
0111	0A2102						NOZZLE	a,c,e,g,l - G.P.L. 50 mbar	6,17
0112	003954						PROTECTION		51,36
0113	002872						FLANGE		6,26
0114	000000	850860102						a,c,e,g,l	
0115	057400		0C5340			+	INSPECTION GLASS		
0116	057402						GASKET; FOR INSPECTION GLASS		1,02
0117	057382						FRAME		5,33
0118	003772						PRESSURE SWITCH; 0,4-10 MBAR		95,46

?????? 260782  
 ?????? 3-11009 ????????? 3 Gas components

.		Alias		S			.			(Euro)
0119	0KC469	638849500	006023					IGNITION CABLE	a,c,e,g,l	
0120	000000	805883103								
0121	002635							PRESSURE SWITCH; FCV/G		81,39
0122	054816							NUT		2,89
0123	052671							DOUBLE CONE		1,97
0124	002708							PIPE FITTING		22,63
0125	002452							GAS VALVE COIL; SIT 830	50Hz	46,63
0126	002715							VALVE RECTIFIER		35,53
0127	002714							GAS VALVE; 836 TANDEM	50Hz	172,80
0128	002716							PIPE FITTING		9,01
0129	003874							INSULATOR; 161X291 MM; 4 HOLES	a,c,e,g,l	14,65



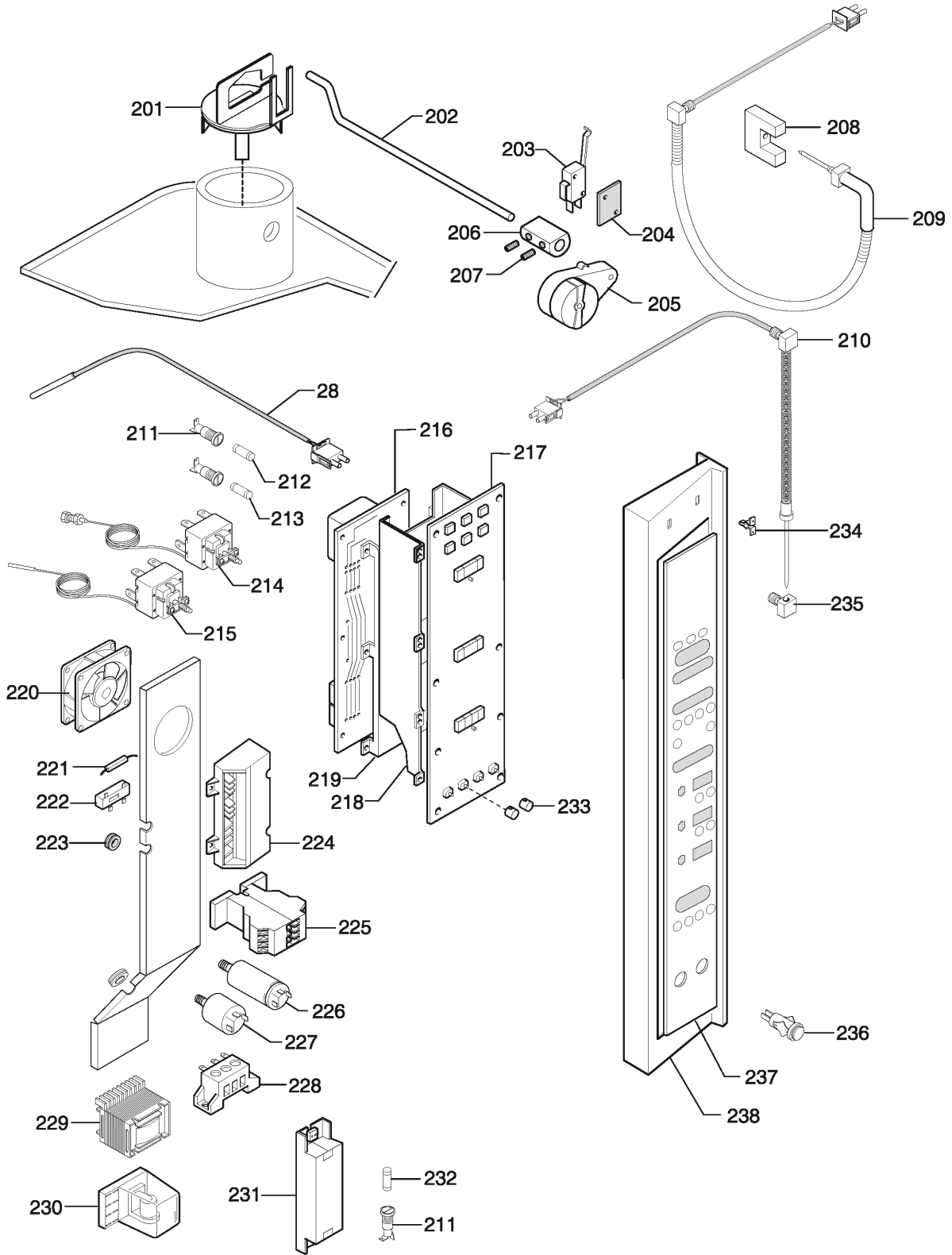
10 GN 1/1 AND 10 GN 2/1 GAS STEAM-CONVECTION OVEN  
 FORNO CONVEZIONE-VAPORE GAS 10 GN 1/1 E 10 GN 2/1

LEVEL / LIVELLO 6

From ser. nr. / Da Ser. Nr.: 503.....	Page: 3	Ed. 01/2014	Doc. Nr.: <b>3 - 11 009</b>
---------------------------------------	---------	-------------	-----------------------------



??????	260782								
??????	3-11009	???????? 4	Water system						
.		Alias		S		.			(Euro)
0028	002615		0C5342			+		TEMPERATURE PROBE	
0151	002610							BUFFER	5,86
0152	002634		0C7016					BUFFER	
0153	002692							CAP; DESCALING LOAD IN THE BOILER	6,76
0154	002633							SPACER; ØE=8MM; L=14MM	10,29
0155	002632					+		WATER LEVEL PROBE; L=74	19,84
0156	002763							SHIELDED CABLE; WATER LEVEL PROBES	20,27
0157	000000	508838800							
0158	002631		0C5335			+		BOILER	
0159	000000	514875601							
0160	000000	805889801							a,c,e,g,l
0161	002874							O-RING; ØI=31,34X3,53 MM	3,48
0162	002707		0C4158			PDD2005-18		ARMORED RUBBER HOSE; BY METER	
0163	002774							SUPPORT	7,12
0164	002612							GASKET	7,85
0165	002611							NOZZLE	27,20
0166	056679							NOZZLE	a,c,e,g,l 10,72
0167	047431							CONNECTION 3 WAY	5,86
0168	005381			S				FLANGE	9,14
0169	000000	503895900							
0170	000000	516809501							
0171	002713		0CB250					MOTOR-OPERATED VALVE; 3/4" 230V 50/60HZ	
0172	002613							SOLENOID VALVE; ES90 230V 50/60HZ	14,19
0173	002728							FLOW CONTROL	a,c,e,g,l - dia. 1,80 mm 9,87
0174	002712							SOLENOID VALVE; 3-WAY ET90 230V 50/60HZ	25,02
0175	061488							GASKET; ØI=15MM; ØE=24MM	1,00
0176	053789		0C8316					FEEDER HOSE; 3/4"F, L=150 CM	
0177	000000	805883302							a,c,e,g,l
0178	055323							SEALING RING	10,39



10 GN 1/1 AND 10 GN 2/1 GAS STEAM-CONVECTION OVEN  
 FORNO CONVEZIONE-VAPORE GAS 10 GN 1/1 E 10 GN 2/1

LEVEL / LIVELLO 6

From ser. nr. / Da Ser. Nr.: 503.....

Page: 4

Ed. 01/2014

Doc. Nr.:

**3 - 11 009**

??????	260782								
??????	3-11009	???????? 5	Electrical components						
.		Alias		S		.			(Euro)
0028	002615		0C5342			+		TEMPERATURE PROBE	
0201	005364							VENT VALVE ASS.LY	55,62
0202	002697							ROD	a,c,e,g,l 20,16
0203	053671							MICROSWITCH	8,04
0204	045404			S				PLAQUE	1,02
0205	002696							GEARMOTOR	
0206	000000	516805700							
0207	046258							GRUB SCREW	1,02
0210	002673							CORE PROBE; PT1000	a,c,e,g,l - up to 040400.. 165,40
0210	006192							PROBE	a,c,e,g,l - from to 041400.. 172,60
0211	056582							FUSE HOLDER	10,08
0212	058871							FUSE; 6,3A; 5X20; QUICK ACTING	6,3 AF 1,02
0213	002820							FUSE; 160MA; SLOW-ACTING	160 mAT 1,25
0214	002730							SAFETY THERMOSTAT; 338 C	77,67
0215	002711							SAFETY THERMOSTAT; 150 C	93,15
0216	003546		0C3764		D	PDD2006-05		PCB	POW 2 liv.-level 6
0217	002720		0C3765					USER INTERFACE BOARD; UIC	UIC
0218	002721							SUPPORT	35,53
0219	002669							SUPPORT	52,88
0220	002656		0C4423					FAN; 15W 230V 50/60HZ	
0221	058872							COMPETANCE RESISTANCE; 100 OHM	100 Ohm 4,38
0222	058873		0C9052					TERMINAL BOARD	
0223	066834							BUFFER	dia. 4 mm 1,02
0224	002641					30010		FLAME CONTROL DEVICE; S4560M	248,20
0226	056148							CAPACITOR; 10MF	a,e,g,l - 10 µF 6,53
0227	059078							STRAINER	18,57
0228	046357							TERMINAL BOARD;3POLE; TYPE TIPO FV 110B	5,33
0230	058857							RELAY	25,12
0231	002856		0C9422					TRANSFORMER; 230V/11.5V 50VA	a,c,e,g,l - 230V/11,5V 50VA
0232	002920			S	A			FUSE; 250MA 5X20; T-LAG	a,c,e,g,l - 250 mAT 2,60
0233	002670							EXTENSION; L=6,95MM	1,02
0234	053342							SPRING; FOR BRAND	1,02
0235	002674							STOPPING	a,c,e,g,l 20,30
0236	002418							PUSH-BUTTON; RED; WITH CAP	10,35
0237	005255							MEMBRANE	e,f
0238	002732							CONTROL PANEL	e,f,g,h 165,40