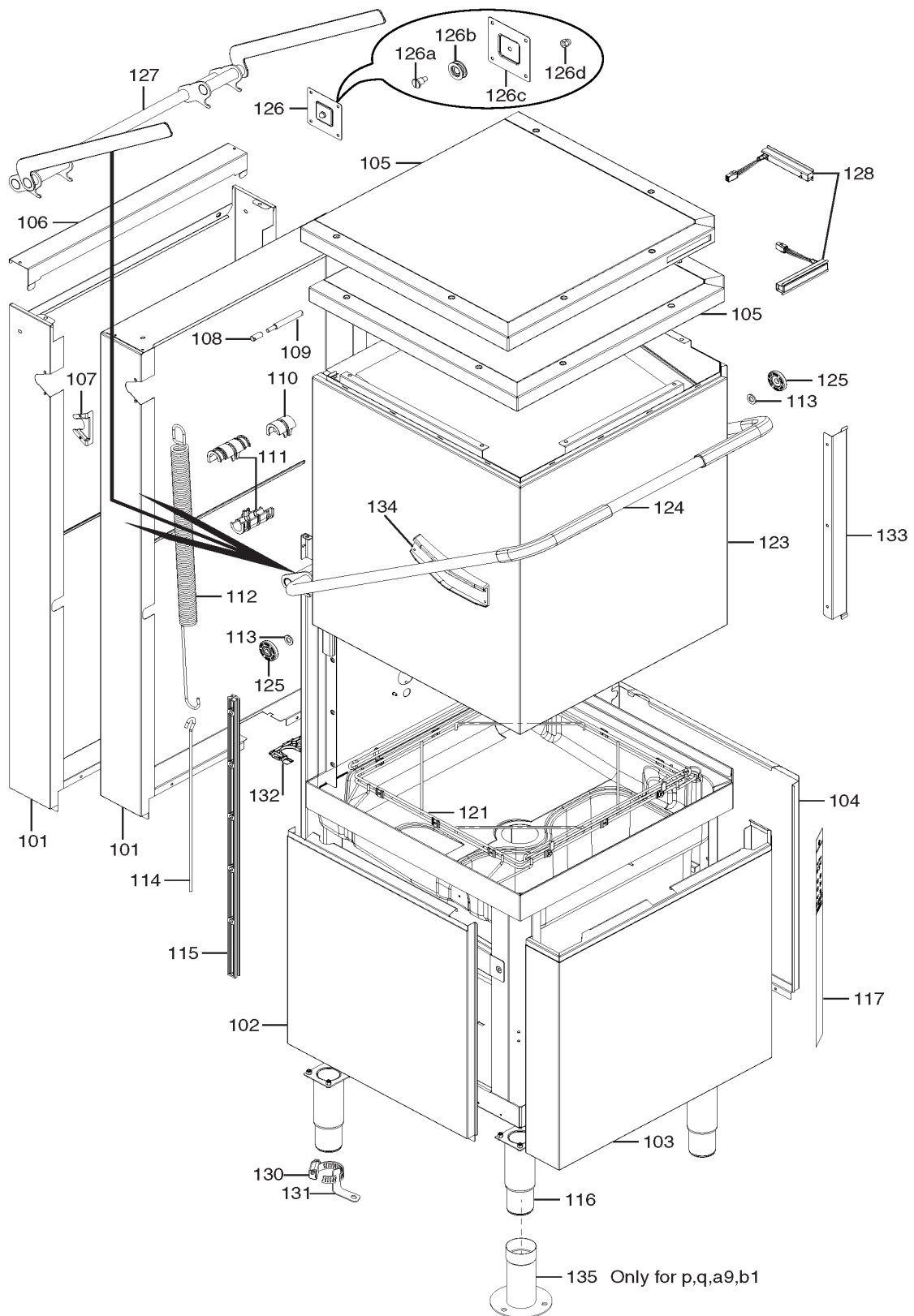


**LAVASTOVIGLIE CAPPOTTINA
 HOOD TYPE DISHWASHER**
NHT8/ KHT8/ EHT8/ ZHT8I/ AHT8I/ EHT8I/ ZHT8TI/ EHT8TI

Code	Type	Ref.	Pagina/ Page	Code	Type	Ref.	Pagina/ Page
505070	NHT8G	a	2 3 4 5	504256	EHT8ILG	a1	2 3 4 5
505071	NHT8	b	2 3 4 5	504257	EHT8IWSG	a2	2 3 4 5
505072	NHT8WSG	c	2 3 4 5	504258	EHT8IG	a3	2 3 4 5
505066	NHT8ROW	d	2 3 4 5	504259	EHT8I	a4	2 3 4 5
505067	NHT8O	e	2 3 4 5	504260	EHT8IROW	a5	2 3 4 5
505068	NHT8ROW6	f	2 3 4 5	504261	EHT8IROW6	a6	2 3 4 5
505069	NHT8O6	g	2 3 4 5	504262	EHT8ILG4	a7	2 3 4 5
505083	NHT8GUK	h	2 3 4 5	504263	EHT8ILG8	a8	2 3 4 5
505084	NHT8DD	i	2 3 4 5	504264	EHT8IUSPH5	a9	2 3 4 5
505073	EHT8ROW	j	2 3 4 5	504265	EHT8IUSPH6	b1	2 3 4 5
505074	EHT8O	k	2 3 4 5	504267	EHT8IS	e2	2 3 4 5
505075	EHT8ROW6	l	2 3 4 5	504268	EHT8IELGJ	d9	2 3 4 5 7
505076	EHT8O6	m	2 3 4 5	504269	EHT8IELGJ6	e1	2 3 4 5 7
505077	EHT8J	n	2 3 4 5	504272	ZHT8IELG	b2	2 3 4 5 7
505078	EHT8J6	o	2 3 4 5	504273	ZHT8ILG	b3	2 3 4 5
505079	EHT8M	p	2 3 4 5	504274	ZHT8IWSG	b4	2 3 4 5
505080	EHT8M6	q	2 3 4 5	504275	ZHT8IG	b5	2 3 4 5
505081	KHT8	r	2 3 4 5	504276	ZHT8I	b6	2 3 4 5
505085	NHT8WSGUK	d2	2 3 4 5	504277	ZHT8IROW	b7	2 3 4 5
505086	NHT8LGUK	d3	2 3 4 5	504278	ZHT8IROW6	b8	2 3 4 5
505089	NHT8P	d4	2 3 4 5	504279	EHT8IELG4	c9	2 3 4 5 7
505090	HHT8	d5	2 3 4 5	504280	EHT8IELG8	d1	2 3 4 5 7
506069	NHTGRUK	d7	2 3 4 5	504283	NHT8ILG	c3	2 3 4 5
506070	NHT8LGRUK	d8	2 3 4 5	504284	NHT8IWSG	c4	2 3 4 5
504250	EHT8TIEL	s	2 3 4 5 6 7	504285	NHT8IG	c5	2 3 4 5
504251	EHT8TIL	t	2 3 4 5 6	504286	NHT8IELG	c6	2 3 4 5 7
504252	EHT8TIELG4	u	2 3 4 5 6 7	504287	NHT8IEWSG	c7	2 3 4 5 7
504253	EHT8TIELG8	v	2 3 4 5 6 7	504288	EHT8IELG6	c8	2 3 4 5 7
504270	ZHT8TIEL	w	2 3 4 5 6 7	504290	HHTI	d6	2 3 4 5
504271	ZHT8TIL	x	2 3 4 5 6	698066	AHT8IWSG	b9	2 3 4 5
504254	EHT8IELG	y	2 3 4 5 7	698067	AHT8IG	c1	2 3 4 5
504255	EHT8IEWSG	z	2 3 4 5 7	698068	AHT8I	c2	2 3 4 5
Pagina/ Page	Indice/ index			Pagina/ Page	Indice/ index		
2	Vista generale / Main view			6	Componenti versione automatica / Automatic version components		
3	Componenti idraulici / Hydraulic components			7	Componenti ESD / ESD components		
4	Circuito idraulico/ Hydraulic circuit			8 - 17	Lista ricambi / Spare parts list		
5	Componenti elettrici / Electrical components						

Marchio/ Brand: Z - E - A
Paese/ Country: Tutti/ All

Da Ser.Nr./From Ser.nr.: 305	Ed.2015-01	Doc. Nr.: 595668W00
Page: 1		



ill. 595668W00_p1
 Vista generale / Main view

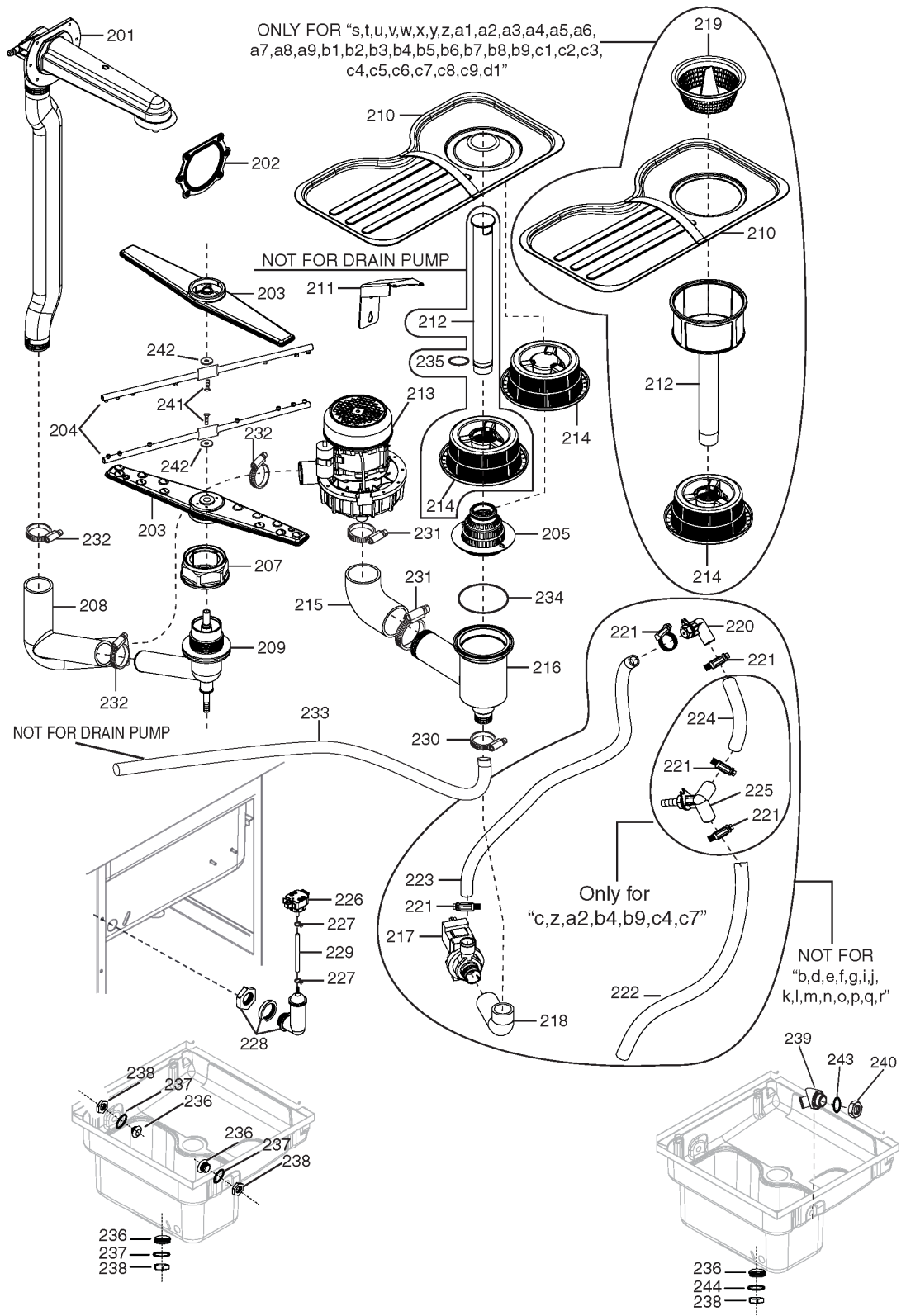
Da Ser.Nr./From Ser.nr.: 305

Page: 2

Ed.2013-09

Doc. Nr.: 595668W00

??????	504259								
??????	595668W00	???????? 2	Main view						
.		Alias		S		.			(Euro)
0102	0L2782				D			LEFT SIDE PANEL	96,43
0103	0L2783							PANEL	132,00
0104	0L2784				D			RIGHT SIDE PANEL	97,44
0105	0L2786							LID	187,80
								y,z,a1,a2,a3,a4,a5,a6, a7,a8,a9,b1,c8,c9,d1,d9, e1,e2	
0107	0L2790		0L2983					BACK PANEL PROTECTION	
0108	0L2791							LOCK PIN	9,65
0109	0L2792							PIVOT	12,51
0110	0L2793							SPRING BUSHING	1,91
0111	0L2794			S				SPRING BUSHING	2,11
0112	049582			S				SPRING	34,71
0112	049947							SPRING	48,92
0113	0TH042							WASHER; 13X24	1,02
0115	0L2798			S				HOOD GUIDE	29,23
0116	048579			S	C			COMPLETE FOOT; H=153MM	Up to Ser. Nr.: 409
0116	0L3203							FOOT; WITH FLANGE	From to Ser. Nr.: 410
0117	0L2799			S				ADHESIVE MEMBRANE	36,24
								y,z,a1,a2,a3,a4,a5,a6,a7,a8,a 9,b1,c8,c9,d1,d9,e1,e2	
0121	0L2807			S				BASKET GUIDE	109,60
0123	0L2809							HOOD	540,00
								y,z,a1,a2,a3,a4,a5,a6, a7,a8,a9,b1,b2,b3,b4,b5, b6,b7,b8,b9,c1,c2,c6,c7, c5,c4,c3,c8,c9,d1,d6,d9, e1,e2	
0125	049598			S				ROLLER; FOR HOOD HANDLE	2,32
0127	0L2817							HOOD RAIL ARM	138,00
0128	0L3451							KIT LEDBAR	274,10
0130	0L2463							CLAMP; DIA.50-70; INOX	5,60
0131	0L2464							BRACKET	6,22
0132	0L0112							COVERING	4,12
0134	049597			S				RUNNER; FOR HANDLE	7,60
								a,b,c,d,e,f,g,h,i,j,k,l,m,n,o,p,q,r ,d2,d3,d4,d5,d7,d8,y,z,a1,a2,a 3,a4,a5,a6,a7,a8,a9,b1,e2,d9, e1,b2,b3,b4,b5,b6,b7,b8,c9,d 1,c3,c4,c5,c6,c7,c8,d6,b9,c1, c2	
126a	0L2813							WHEEL PIN	19,08
126d	0L2816							CAP NUT; M8	1,02

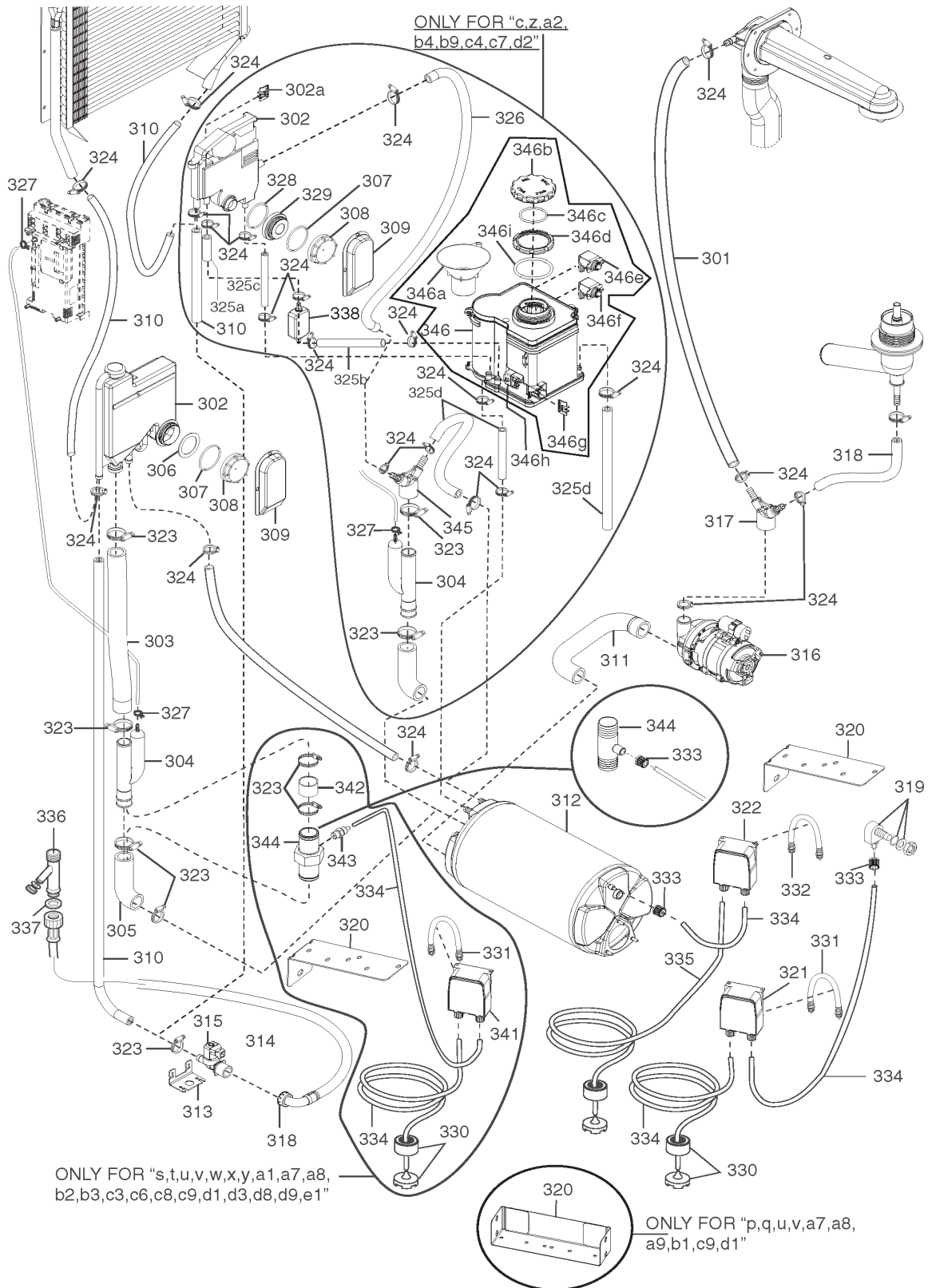


iii. 595668W00_p2
Componenti idraulici / Hydraulic components

Da Ser.Nr./From Ser.nr.: 305	Page: 3	Ed.2014-12	Doc. Nr.: 595668W00
------------------------------	---------	------------	---------------------

??????	504259								
??????	595668W00	???????? 3				Hydraulic components			
.		Alias		S		.			(Euro)
0022	000000								
0201	0L3470					WASH ARM SUPPORT			62,83
0202	0L2822			S		GASKET			6,22
0203	0L2823			S		WASH ARM			45,47
0204	0L2095			S		RINSE ARMS			61,92
0205	0L2824			S		PROTECTION FILTER			
0207	048330			S		RING NUT			5,29
0208	0L2825			S		SLEEVE; 3 VIE			34,10
0209	048235			S		SUPPORT F. LOWER JETS			40,90
0210	0L2827					TANK FILTER; WITH HOLE	s,t,u,v,w,x,y,z,a1,a2,a3,a4,a5,a6,a7,a8,a9,b1,b2,b3,b4,b5,b6,b7,b8,b9,c1,c2,c6,c7,c5,c4,c3,c8,c9,d1,d6,d9,e1,e2		103,50
0211	0L2828		0L3523		D	PUMP SUPPORT			
0212	0L2830			S		OWERFLOW PIPE; WITH FILTER	s,t,u,v,w,x,y,z,a1,a2,a3,a4,a5,a6,a7,a8,a9,b1,b2,b3,b4,b5,b6,b7,b8,b9,c1,c2,c6,c7,c5,c4,c3,c8,c9,d1,d6,d9,e1,e2		59,17
0213	0L2831			S		PUMP; 230V 50HZ 0,8KW	a,b,c,d,e,h,i,j,k,l,m,n,o,p,q,r,d2,d3,d4,d5,d7,d8,s,t,w,x,y,z,a1,a2,a3,a4,a5,a9,b1,e2,d9,b2,b3,b4,b5,b6,b7,c9,d1,c3,c4,c5,c6,c7,d6,b9,c1,c2		238,50
0214	0L2834			S		PUMP SUCTION FILTER	b,d,e,f,g,i,j,k,l,m,n,o,p,q,r,d4,d5,s,t,u,v,w,x,y,z,a1,a2,a3,a4,a5,a6,a7,a8,a9,b1,e2,d9,e1,b2,b3,b4,b5,b6,b7,b8,c9,d1,c3,c4,c5,c6,c7,c8,d6,b9,c1,c2		12,67
0215	0L2836					SUCTION PIPE SLEEVE			16,79
0216	0L2837			S		SUCTION PIPE MANIFOLD			16,57
0217	0L2838			S		DRAIN PUMP; 200 240V 50/60HZ	a,c,h,d2,d3,d7,d8,s,t,u,v,w,x,y,z,a1,a2,a3,a4,a5,a6,a7,a8,a9,b1,e2,d9,e1,b2,b3,b4,b5,b6,b7,b8,c9,d1,c3,c4,c5,c6,c7,c8,d6,b9,c1,c2		39,89
0218	0L2839			S		ELBOW HOSE	a,c,h,d2,d3,d7,d8,s,t,u,v,w,x,y,z,a1,a2,a3,a4,a5,a6,a7,a8,a9,b1,e2,d9,e1,b2,b3,b4,b5,b6,b7,b8,c9,d1,c3,c4,c5,c6,c7,c8,d6,b9,c1,c2		10,04
0219	0L2840			S		TANK FILTER	s,t,u,v,w,x,y,z,a1,a2,a3,a4,a5,a6,a7,a8,a9,b1,b2,b3,b4,b5,b6,b7,b8,b9,c1,c2,c6,c7,c5,c4,c3,c8,c9,d1,d6,d9,e1,e2		14,99
0220	0L2729			S		AIR VALVE	a,c,h,d2,d3,d7,d8,s,t,u,v,w,x,y,z,a1,a2,a3,a4,a5,a6,a7,a8,a9,b1,e2,d9,e1,b2,b3,b4,b5,b6,b7,b8,c9,d1,c3,c4,c5,c6,c7,c8,d6,b9,c1,c2		15,62
0221	047578			S		CLAMP; 26-38	a,c,h,d2,d3,d7,d8,s,t,u,v,w,x,y,z,a1,a2,a3,a4,a5,a6,a7,a8,a9,b1,e2,d9,e1,b2,b3,b4,b5,b6,b7,b8,c9,d1,c3,c4,c5,c6,c7,c8,d6,b9,c1,c2		1,80
0222	0L2841			S		DRAIN HOSE	a,c,h,d2,d3,d7,d8,s,t,u,v,w,x,y,z,a1,a2,a3,a4,a5,a6,a7,a8,a9,b1,e2,d9,e1,b2,b3,b4,b5,b6,b7,b8,c9,d1,c3,c4,c5,c6,c7,c8,d6,b9,c1,c2		10,04
0226	0L2845			S		ANALOGIC SENSOR			17,73

??????	504259								
??????	595668W00	???????? 3				Hydraulic components			
.		Alias		S		.			(Euro)
0227	0L0082			S			CLAMP; DIA. 7,3-7,8MM		1,02
0228	0L2846			S			AIR TRAP		22,23
0229	072393			S			HOSE; Ø=4X7,4MM; L=500CM; PRESSURE SWITC	30 mm	11,67
0230	046878			S			HOSE CLAMP; 35-50/9		1,91
0231	046853			S			HOSE CLAMP; 60-80/9		2,53
0232	046855			S			HOSE CLAMP; 50-70/9		2,00
0233	049856			S	C		DRAIN PIPE; L=1600MM.	b,d,e,f,g,i,j,k,l,m,n,o,p,q,r,s,t,w ,x,a4,a5,a6,a9,b1,b6,b7,b8,c2 ,d4,d5,d6,e2	11,50
0234	049894			S			O-RING; ØI=110X4 MM		2,01
0241	048290			S			PIN; L=43MM; FOR RINSE ARMS		16,79
0242	048632			S			LOCK WASHER		9,50



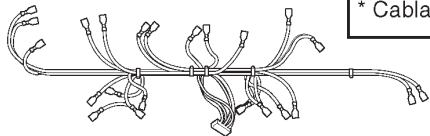
iii. 595668W00_p3
Circuito idraulico/ Hydraulic circuit

Da Ser.Nr./From Ser.nr.: 305	Page: 4	Ed.2015-01	Doc. Nr.: 595668W00
------------------------------	---------	------------	---------------------

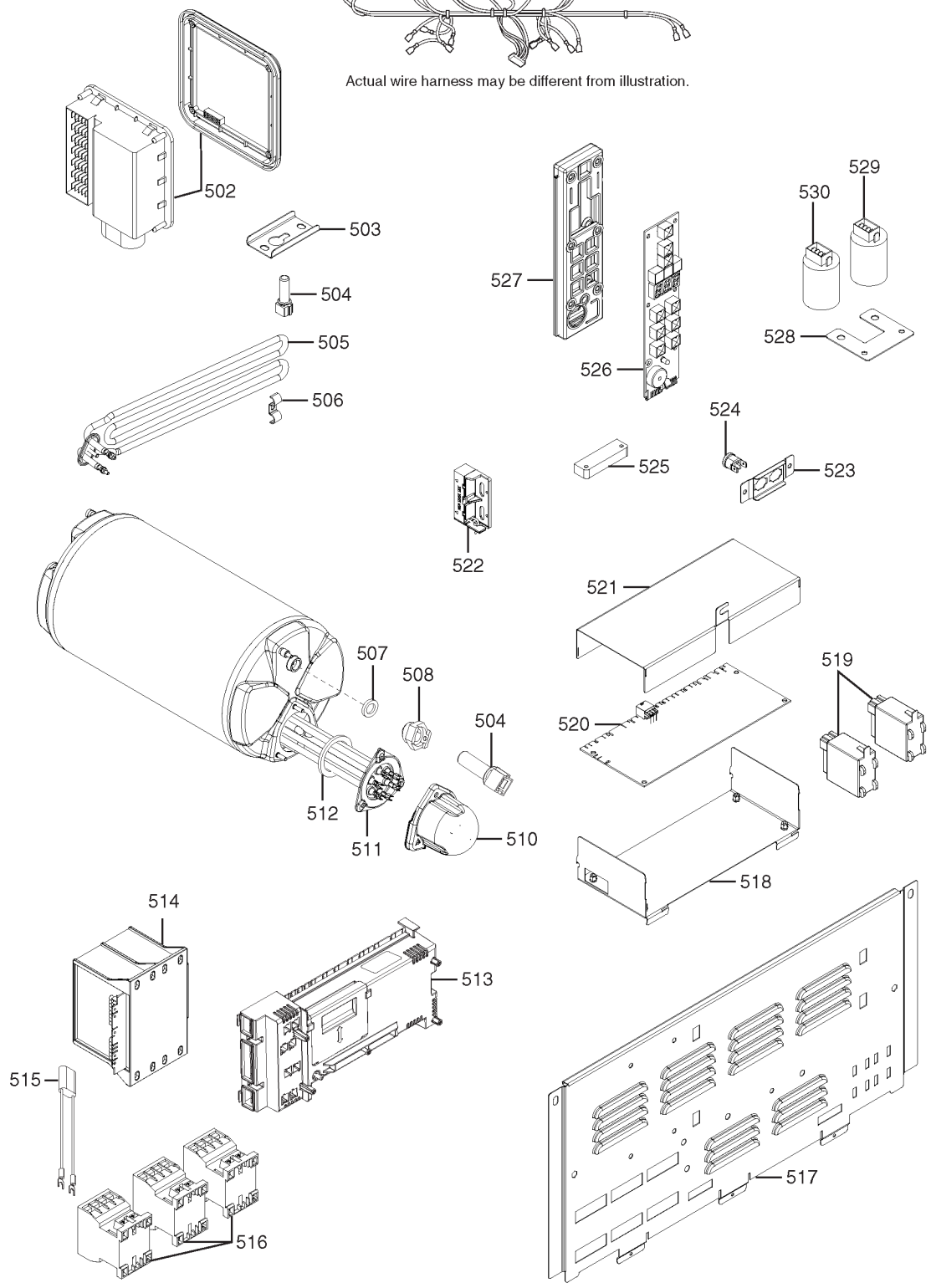
??????	504259									
??????	595668W00	???????? 4	Hydraulic circuit							
.		Alias		S			.			(Euro)
0301	048531			S				RUBBER HOSE; ØI=12MM;ØE=19,5MM;BY METER	1310 mm	9,55
0302	049481		0L2435					AIR GAP; WRC	a,b,d,e,f,g,h,i,j,k,l,m,n,o,p,q,r,d 3,d4,d5,d7,d8,s,t,u,v,w,x,y,a1, a3,a4,a5,a6,a7,a8,a9,b1,e2,d 9,e1,b2,b3,b5,b6,b7,b8,c9,d1, c3,c5,c6,c8,d6,c1,c2	
0303	049287			S				HOSE; ØE=30MM; ØI=25MM; L=430MM	410 mm	10,39
0304	0L2849							AIR TRAP		14,15
0305	049880			S				SLEEVE	a,b,d,e,f,g,h,i,j,k,l,m,n,o,p,q,r,d 3,d4,d5,d7,d8,s,t,u,v,w,x,y,a1, a3,a4,a5,a6,a7,a8,a9,b1,e2,d 9,e1,b2,b3,b5,b6,b7,b8,c9,d1, c3,c5,c6,c8,d6,c1,c2	13,30
0306	049828			S				O-RING; ØI=50MM; ØE=59,5MM		1,62
0307	049460			S				O-RING; ØI=53,65MM; ØE=58,89MM		1,02
0308	049480			S				RING NUT; FOR AIR GAP		2,53
0309	0L2560			S				PROTECTION		13,30
0310	0L3064							HOSE; L=1400MM; 12X19,5MM	1400 mm	23,45
0311	0L2852							PUMP SUCTION PIPE		13,30
0312	0L2853			S				BOILER; ONE HOLE	a,b,h,i,n,o,p,q,r,s,t,w,x,y,a1,a3 ,a4,a9,b1,b2,b3,b5,b6,c1,c2,c 6,c3,c8,c9,d1,d3,d4,d5,d6,d7, d8,d9,e1,e2	234,50
0313	0TH116				D			SUPPORT; FOR SOLENOID VALVE		10,77
0314	000000									
0315	0L0776			S				SOLENOID VALVE; 220/240V 50/60HZ; 5L/MIN	a,b,c,d,e,f,g,h,i,j,k,l,m,p,q,r,d2, d3,d4,d5,d7,d8,s,t,w,x,y,z,a1, a2,a3,a4,a5,a6,a9,b1,e2,d9,e 1,b2,b3,b4,b5,b6,b7,b8,c9,d1, c3,c4,c5,c6,c7,c8,d6,b9,c1,c2	
0316	0L1079		0L1640	S		+		PUMP; 220/240 50HZ	a,b,c,d,e,j,k,i,h,r,s,t,w,x,y,z,a1, a2,a3,a4,a5,b2,b3,b4,b5,b6,b 7,b9,c1,c2,c6,c7,c5,c4,c3,d2, d3,d4,d5,d6,d7,d8,d9,e2 - From to Ser.Nr: 4481	
0316	0L2858			S				RINSE PUMP; 230V 50HZ	a,b,c,d,e,j,k,i,h,r,s,t,w,x,y,z,a1, a2,a3,a4,a5,b2,b3,b4,b5,b6,b 7,b9,c1,c2,c6,c7,c5,c4,c3,d2, d3,d4,d5,d6,d7,d8,d9,e2 - Up to Ser.Nr: 4471	130,90
0317	0L2865		0L3080					Y-FITTING		
0318	0L1887			S	C			FEEDING HOSE; 2000MM	320 mm	14,49
0320	0L2866							SUPPORT		5,47
0322	0S1713				C			PERISTALTIC PUMP RINSE AID; PG 0,4	a,b,c,h,i,p,q,r,d2,d3,d4,d5,d7, d8,s,t,u,v,w,x,y,z,a1,a2,a3,a4, a7,a8,a9,b1,e2,d9,e1,b2,b3,b 4,b5,b6,c9,d1,c3,c4,c5,c6,c7, c8,d6,b9,c1	
0323	047578			S				CLAMP; 26-38		1,80
0324	048126			S				CLIP; 13-20		1,58
0326	0L3060		048531					HOSE; L=880MM; 12X19,5MM	880 mm	
0327	0L0082			S				CLAMP; DIA. 7,3-7,8MM		1,02
0328	0L1277			S				O-RING; 26,58X2,53		1,02

??????	504259								
??????	595668W00	???????? 4	Hydraulic circuit						
.		Alias		S			.		(Euro)
0329	0L2867							RING NUT	24,97
0330	0S1028			S				INOX WEIGHT WITH FILTER; KIT	12,61
0331	049419			S	C			DETERGENT DISPENSER HOSE; WITH JOINTS	14,18
0332	049418			S	C			RINSE AID DISPENSER HOSE	14,18
0333	0L2071			S				RING NUT	Up to Ser.Nr. 4241 4,54
0333	0L3079							RING NUT	From to Ser.Nr. 4251 6,33
0334	0L1163			S				HOSE; ØI=4,3MM; ØE=6MM; L=2660MM; GREY	15,62
0335	0L0481			S				TUBE; L=2660 MM; ØE=6 MM; DETERG.PUMP	10,67
0336	048834			S				STRAINER	13,63
0337	049201			S				GASKET; DIA 3/4"	1,02
0345	000000								
325a	0L3062							HOSE; L=50MM; 10X17MM; BLU	50 mm 3,28
325b	0L3063							HOSE; L=440MM; 10X17MM; BLU	440 mm 8,87
325c	0L3061							HOSE; L=630MM; 10X17MM; BLU	630 mm 10,31
325d	0L3058							HOSE; L=500MM; 10X17MM; BLU	500 mm 9,60

* Cablaggio/Wiring harness: 590



Actual wire harness may be different from illustration.



iii. 595668W00_p4
Componenti elettrici / Electrical components

Da Ser.Nr./From Ser.nr.: 305	Page: 5	Ed.2013-11	Doc. Nr.: 595668W00
------------------------------	---------	------------	----------------------------

??????	504259								
??????	595668W00	???????? 5	Electrical components						
.		Alias		S		.			(Euro)
0502	0L0111			S			JUNCTION BOX		40,30
0503	0L0366			S			SUPPORT		3,44
0504	0L2874			S			NTC PROBE		11,55
0505	0L1974			S			HEATING ELEMENT; 230V-3000W; LS14	a,b,c,d,e,f,g,h,i,j,k,l,r,d2,d3,d4, d5,d7,d8,s,t,u,w,x,y,z,a1,a2,a 3,a4,a5,a6,e2,d9,e1,b2,b3,b4, b5,b6,b7,b8,c3,c4,c5,c6,c7,c8 ,d6,b9,c1,c2	39,69
0506	048429			S			BRACKET		2,01
0507	0L2303			S			O-RING; DIA.9,25X1,78		1,02
0508	0L0280			S			STUFFING BOX		11,51
0510	0L2881						HEATING ELEMENT PROTECTING CAP		
0511	0L2653			S			HEATING ELEMENT; 230V 9000W	a,b,c,h,i,p,r,s,t,w,x,y,z,a1,a2,a 3,a4,a9,b2,b3,b4,b5,b6,b9,c1, c2,c6,c7,c5,c3,c8,d2,d3,d6,d7 ,d8,d9,e1,e2	79,00
0512	0E5037			S	C	CGX200 0-46	HEATING ELEMENT GASKET;DIA.56,52XSP.5,33		1,43
0513	0L2887			S			MOTHERBOARD; MEC12R HT FULL	s,t,u,v,w,x,y,z,a1,a2,a3,a4,a5, a6,a7,a8,a9,b1,b2,b3,b4,b5,b 6,b7,b8,b9,c1,c2,c6,c7,c5,c4, c3,c8,c9,d1,d6,d9,e1,e2	273,00
0516	0L0285			S	C		CONTACTOR; 220-240V 50HZ/240-264V 60HZ	a,b,c,h,i,p,r,s,t,w,x,y,z,a1,a2,a 3,a4,a9,b2,b3,b4,b5,b6,b9,c1, c2,c3,c4,c5,c6,c7,d2,d3,d4,d5 ,d6,d7,d8,d9,e2	28,84
0517	0L2889				D		PANEL		59,99
0518	0L2890						SUPPORT		22,53
0519	048888			S			RELAY; 220-240V 50/60HZ; 16A		33,39
0520	0L2891			S			POWER SUPPLY		260,90
0521	0L2892						POWER SUPPLY LID		23,04
0522	0L2893			S			SENSOR		19,18
0523	0L2894						BRACKET		5,37
0524	0L2895			S			SAFETY THERMOSTAT; 105°C	Qty 2 only for "p,q,a9,b1"	8,23
0525	049627			S			MAGNET		9,82
0526	0L2897			S			USER INTERFACE BOARD		130,90
0527	0L2898			S			USER INTERFACE BOARD COVERING		10,45
0528	0L2899						STIRRUP		6,47
0529	049303			S			RADIO INTERFERENCE FILTER; 250V 50/60HZ		23,55
0530	049303			S			RADIO INTERFERENCE FILTER; 250V 50/60HZ		23,55
0590	0L3134			S	D		WIRING HARNESS	a,b,h,i,n,o,r,a3,a4,b5,b6,c1,c2 ,c5,d4,d5,d6,d7,e2	128,90