



SPARE PARTS CATALOGUE  
CATALOGO PARTI DI RICAMBIO  
**6 GN 1/1 ELECTRIC CONVECTION OVEN**  
**FORNO CONVEZIONE ELETTRICO 6 GN 1/1**

<b>PNC</b>	<b>Model</b>	<b>Ref.</b>	<b>Group</b>	<b>Page</b>	<b>Notes</b>
240000	FCF_E6_I	q	FCF	2-3-4	230V 1N 50Hz
240205	FCF/E6-0	e	FCF	2-3-4	400V 3N 50Hz
240211	FCF061ELN	g	FCF	2-3-4	230V 3 50Hz Norway
240215	FCF/6EHOR	p	HOR	2-3-4	400V 3N 50Hz
240226	FCF061ENS	f	FCF	2-3-4	400V 3N 60Hz
240266	FCFE6-1J	h	FCF	2-3-4	200V 3 60Hz Japan
260155	ECF_E6_I	r	ECF	2-3-4	400V 3N 50Hz
260645	ECF/E6-T	s	ECF	2-3-4	400V 3N 50Hz
260705	ECF/E 6	a	ECF	2-3-4	400V 3N 50Hz
260726	ECF061ENS	b	ECF	2-3-4	400V 3N 60Hz
260730	ECF061E5M	d	ECF	2-3-4	440V 3 60Hz Marine
260731	ECF061ECV	c	ECF	2-3-4	400V 3N 50Hz
697305	ACF/E6-0	m	ACF	2-3-4	400V 3N 50Hz
697501	RCF061E	n	RCF	2-3-4	400V 3N 50Hz
697507	RCF061EK	o	RCF	2-3-4	400V 3N 50Hz Kipro

<b>Pag</b>	<b>Index</b>	<b>Indice</b>	<b>Note</b>
2	Oven cabinet.	Cella forno	
3	Door	Porta	
4	Electrical components	Componenti elettrici	
5-7	Spare parts list	Lista ricambi	

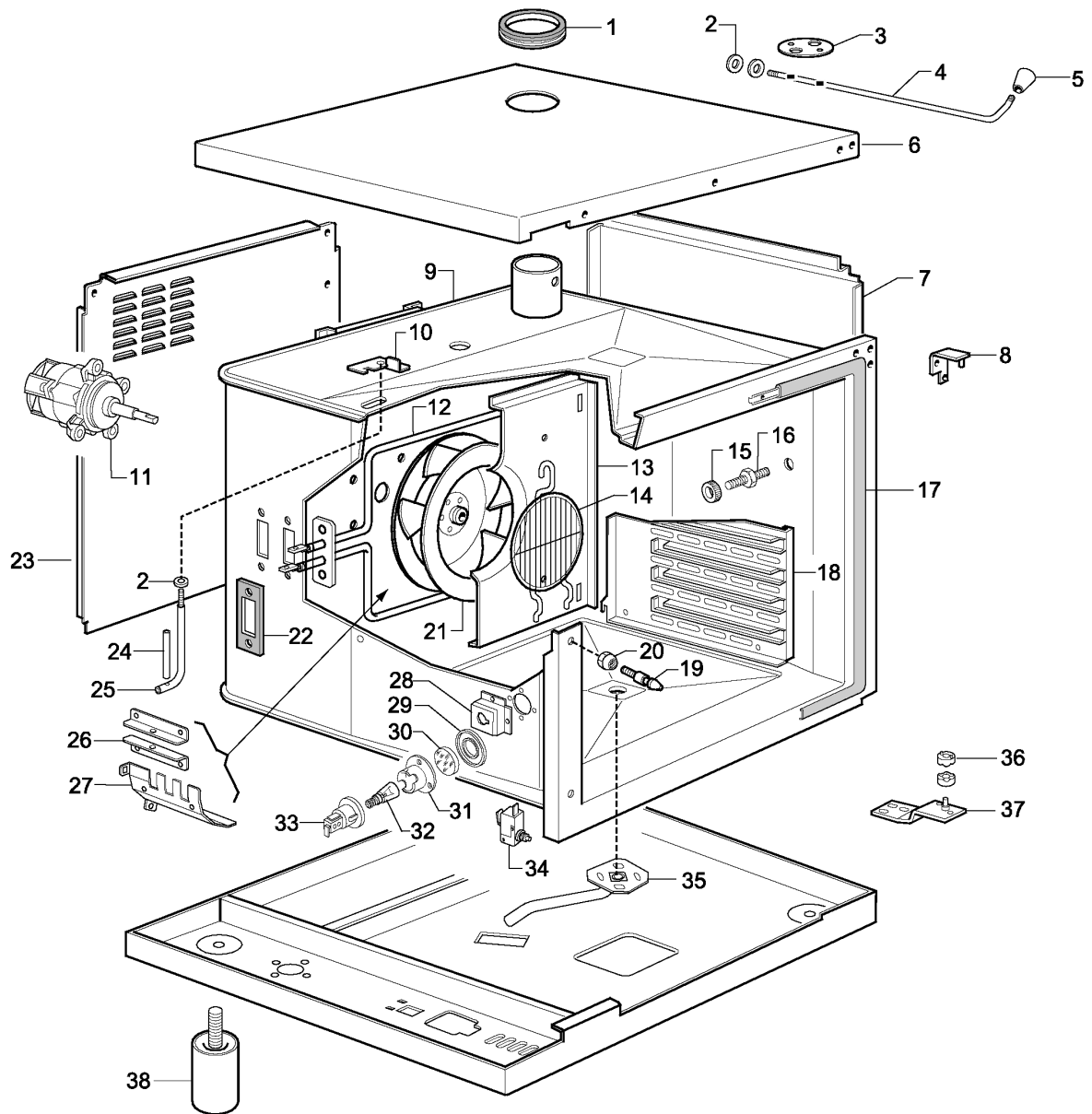
Brand/Marchio: All  
Factory code: 9PDX

From sr. Nr/ Da Ser. Nr.: 945  
From status level / Da scatto: 25

Page: 1

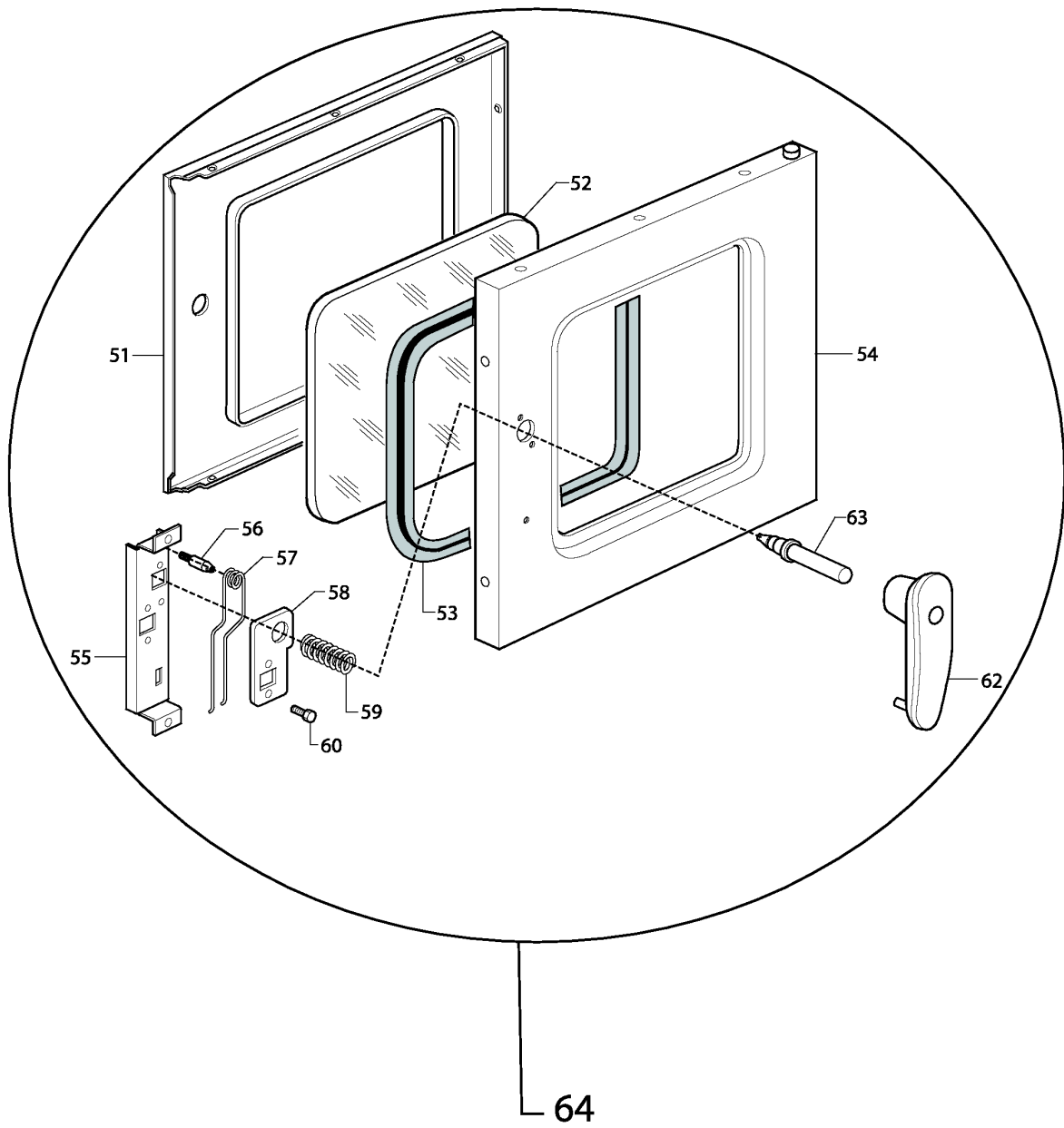
Ed. 2014 05

Doc. Nr.: **875401D00**

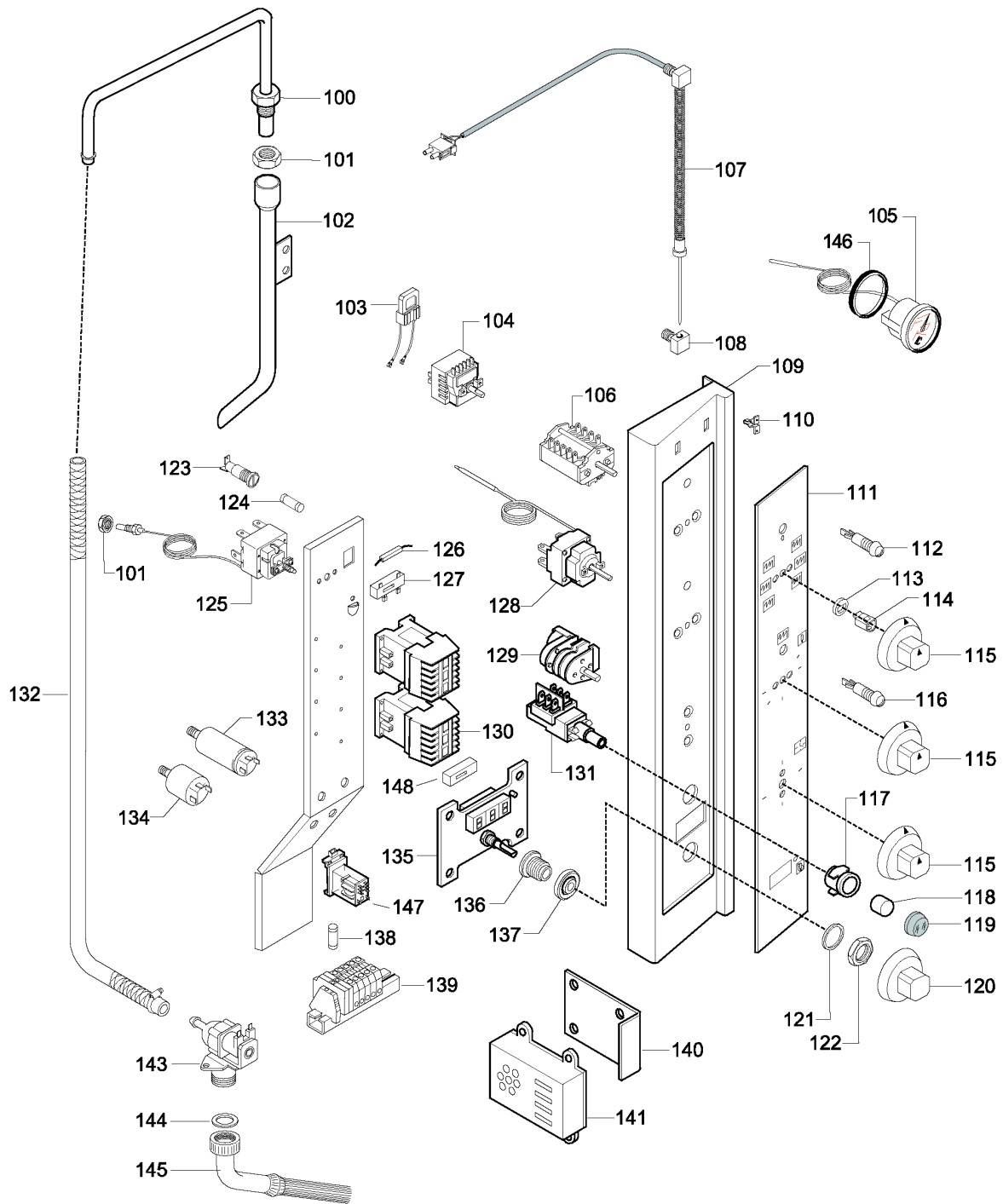


??????	260705								
??????	875401D00	???????? 2	Oven cabinet						
.		Alias		S		.			(Euro)
0001	053829	0543801400						BUFFER	11,50
0002	057762	0214530100						WASHER SPRING; DIA 12,5/6,2X0,7MM	1,22
0003	0C1863	0506829202						THROTTLE; VAPOURS EXHAUST TUB	2,11
0004	0C5258	0516823900						STEM	37,76
0005	029898	0330281100						HANDLE	7,39
0006	0C0893	0521882205						LID	101,50
0007	0C0537	0521879703						SIDE PANEL; RH.	69,83
0007	0C2988	0850868605						LEFT SIDE	105,60
0008	003686	0512813100						HINGE; TOP	37,96
0009	0C6952	0850866811			D			OVEN CAVITY	564,00
0010	000000	0525855300							
0011	002616	0611804002	0F0007					MOTOR	
0012	056945	0617805405						HEATING ELEMENT; 2500W 230V	for 400V e 230V models 49,84
0012	056946	0617811603						HEATING ELEMENT; 200V 2500W	For 200V models 140,10
0012	0C3323	0617832200			S			HEATING ELEMENT; 254V 2500W	for 440V models 128,90
0013	003754	0524819303			D			SUCTION WALL	108,60
0014	003673	0830883500						GRILL	49,33
0015	0C1270	0514836901	056150					RING NUT	
0016	002958	0516811601						PIN	6,22
0017	005713	0543825301						OVEN DOOR GASKET; 635X430 MM	94,40
0018	003675	0850866202						RUNNER	82,52
0018	003676	0850866103						RUNNER	82,52
0019	003684	0516827701						CATCH	11,93
0020	003685	0516822400						LOCK NUT	7,92
0021	002754	0874856802	0C6462					FAN BLADE	
0022	057534	0282217501						GASKET	2,64
0023	0C0719	0521879901						BACK PANEL	64,76
0024	0C1271	0517852200						TUBE	7,82
0025	0C1260	0516823000						PROTECTION; THERMOSTAT	20,30
0026	005775	0506842601						HEATING ELEMENT FIXING BRACKET	7,17
0027	005776	0525858500						HEATING ELEMENT SUPPORT	19,21
0028	0C4062	0508840702						LAMP HOLDER	8,77
0029	002628	0508840801						FLANGE	4,01
0030	002627	0574804900					+	LAMP GLASS	10,24
0031	002626	0543817202					+	LAMP HOLDER GASKET	15,39
0032	054840	0660802502						LAMP; 240V 25W	3,63

??????	260705								
??????	875401D00	???????? 2	Oven cabinet						
.		Alias		S			.		(Euro)
0033	0C5508	0660807200		S				LAMP HOLDER	6,76
0034	046063	0640602014						DOOR MICROSWITCH	9,90
0035	003776	0830812503						DISCHARGE HOSE	27,41
0036	002653	0510815700						SPACER FOR HINGE	13,62
0037	003687	0512813200						HINGE; DOWN	30,45
0038	003703	0835840500		S				FOOT	10,77



??????	260705								
??????	875401D00	???????? 3	Door						
.		Alias		S			.		(Euro)
0051	003679	0502883906						INNER DOOR	101,50
0052	003681	0574805901						GLASS; 1305 MM	35,12
0053	003680	0543820203						DOOR GLASS GASKET 1480 MM	62,83
0054	000000	0523897001						Up to 330100..	
0054	0C9550	0851801303						DOOR ASSEMBLY	From 331100..
0055	006939	0525864802		S				SUPPORT	17,11
0056	052126	0214442702						PIN	1,89
0057	054282	0514834100						SPRING; FOR DOOR LOCK	8,34
0058	0C0446	0527801200		S				STOPPER	3,38
0059	053757	0514825203						SPRING	3,17
0060	053759	0514824801						SCREW	2,64
0062	0C9549	0805405L00		S				DOOR HANDLE; ASSY	From 331100..
0062	0F0135	0806807500			D			HANDLE	Up to 330100..
0063	0C0447	0516850600		S				RETRACTOR	Up to 330100..
0063	0C9546	0514402800		S				RETRACTOR	From 331100..
0064	0C5132	0851801604						DOOR ASSEMBLY; ECF/6	437,50



??????	260705									
??????	875401D00		???????? 4				Electrical components			
.		Alias		S			.			(Euro)
0100	003753	0805889300		S			HOSE			28,62
0101	006245	0514875601					NUT			4,75
0102	003753	0805889300		S			HOSE			28,62
0103	003510	0694801600					SNUBBER; 100 OHM			14,10
0104	0C1605	0699802200		S	A		ENERGY REGULATOR			21,32
0105	000000									
0106	0C6245	0641400000		S	A		COMMUTATOR; 8 POS.			21,21
0107	002673	0830816900					CORE PROBE; PT1000	for Group HOR		165,40
0108	002674	0511810201					STOPPING	for Group HOR		20,30
0109	0C3876	0851812802					CONTROL PANEL			149,20
0110	053342	0518801801					SPRING; FOR BRAND			1,02
0111	003852	0675823701					MEMBRANE	for Group ACF up to 330100..		
0111	0A5399	0675841301					MEMBRANE	for Group RCF up to 330100..		157,30
0111	0C3877	0675832101					ADHESIVE MEMBRANE; ECF 6	for Group ECF up to 330100..		39,08
0111	0C5509	0675823501					ADHESIVE MEMBRANE	for Group FCF up to 330100..		38,77
0111	0C5509	0675823501					ADHESIVE MEMBRANE	for Group HOR up to 330100..		38,77
0111	0C9547	0541400M00					ADHESIVE MEMBRANE	For Group ACF From 331100..		90,54
0111	0C9548	0541400P00					ADHESIVE MEMBRANE	For Group ECF From 331100..		44,96
0111	0C9555	0541400B00					ADHESIVE MEMBRANE	For Group FCF From 331100..		46,08
0111	0C9556	0541400R00					ADHESIVE MEMBRANE	For Group RCF From 331100..		104,50
0112	058544	0660804200					GREEN PILOT LIGHT; ROUND; 230/240V			3,80
0113	0C3796	0543801701	003955	S			GASKET; FOR KNOB			
0114	025245	0214590701		S			KNOB SPRING			1,02
0115	002672	0548837200					KNOB	for Group FCF up to 330100..		7,85
0115	002672	0548837200					KNOB	for Group HOR up to 330100..		7,85
0115	003743	0548837400		S			KNOB	for Group ECF up to 330100..		8,17
0115	003743	0548837400		S			KNOB	for Group RCF up to 330100..		8,17
0115	0A5324	0548837900					KNOB	for Group FCF up to 330100..		7,12
0115	0C6076	0548400101					KNOB; W/INDICATOR	a,b,c,d,e,f,g,i,l,m,n,o,q,r,s - From 331100..		7,92
0116	058522	0660804300					ORANGE PILOT LAMP; ROUND; 230/240V			3,59
0117	003767	0548845000					SUPPORT	for Group HOR		2,22
0118	003768	0548844900					CAP COVER	for Group HOR		2,74
0119	053979	0548801500					PROTECTION; FOR PUSH-BUTTON	for Group HOR		1,47
0120	002671	0548837300					KNOB	for Group HOR		5,95
0121	002727	0508836400					WASHER	for Group HOR		1,02
0122	051263	0214114900					LOCK NUT	for Group HOR		3,80



??????	260705								
??????	875401D00	???????? 4	Electrical components						
.		Alias		S			.		(Euro)
0123	056582	0652800401						FUSE HOLDER	10,08
0124	002820	0652801800						FUSE; 160MA; SLOW-ACTING	1,25
0125	002730	0646807101						SAFETY THERMOSTAT; 338 C	77,67
0126	058872	0617813201						COMPETANCE RESISTANCE; 100 OHM	4,38
0127	058873	0639805100	0C9052					TERMINAL BOARD	
0128	056384	0646804001						THERMOSTAT; 50-296 C	45,62
0129	003833	0646808400	0C8755			30029		TIMER; 120 MIN; 230V 50/60HZ	
0130	006879	0648807400		S	A			CONTACTOR; 220-240V 50HZ/240-264V 60HZ	for 200V models 37,68
0130	088477	0648807300		S	A			CONTACTOR; 220-240V 50HZ/240-264V 60HZ	not for 200V models 28,84
0131	003766	0641803100						SWITCH	for Group HOR 9,80
0132	0C4158	0544815200		S				ARMORED RUBBER HOSE; BY METER; 10X17MM	11,56
0133	056148	0694800300						CAPACITOR; 10MF	6,53
0134	046217	0694601000						RIF FILTER	9,24
0135	003763	0675817301		S	A			CORE PROBE PCB	for Group HOR 272,00
0136	002662	0516807301						BUSH	for Group HOR 6,02
0137	002663	0543816100						GASKET	for Group HOR 5,39
0138	058871	0652800901						FUSE; 6,3A; 5X20; QUICK ACTING	not for 200V models 1,02
0138	0C2230	0652805100		S				FUSE; 6,3*32 FAST 6,3A 500V OMEGA GF6322	for 200V models 4,22
0139	059794	0639805900						TERMINAL BOARD	26,80
0140	0TTK40	0524886400	0CA260		D			BUZZER BRACKET	
0141	055368	0675800503	0CA489					BUZZER	
0143	0C6081	0696400000		S	A			SOLENOID VALVE; 1VIA; 180°-230V/50HZ; 0.	15,86
0144	061488	0246001622						GASKET; ØI=15MM; ØE=24MM	1,00
0145	053789	0830824600	0C8316					FEEDER HOSE; 3/4" F, L=150 CM	
0146	000000								
0147	000000								
0148	000000								