

20 GN 1/1 ELECTRIC STEAM - CONVECTION OVEN
FORNO CONVEZIONE- VAPORE ELETTRICO 20 GN 1/1

PNC	Model	Ref.	Page	Notes
237 004	FCZ201EAA	a	2-3-4-5-6	Level/Livello A
238 004	FCZ201EBA	b	2-3-4-5-6	Level/Livello B
237 024	FCZ201EAN	c	2-3-4-5-6	Level/Livello A
238 024	9F23802400	d	2-3-4-5-6	Level/Livello B
237 014	FCZ201EAH	e	2-3-4-5-6	Level/Livello A
238 014	FCZ201EBH	f	2-3-4-5-6	Level/Livello B
239 004	FCZ201ECA	g	2-3-4-5-6	Level/Livello C
239 024	FCZ201ECN	h	2-3-4-5-6	Level/Livello C
239 014	FCZ201ECH	i	2-3-4-5-6	Level/Livello C

Index	
Pag. 2	Oven cabinet and door
3	Water system
4	Boiler
5	Electrical components
6	Tray support
7-10	Spare part list

Indice	
	Cella forno e porta
	Impianto idraulico
	Boiler
	Componenti elettrici
	Struttura portateglie
	Lista ricambi

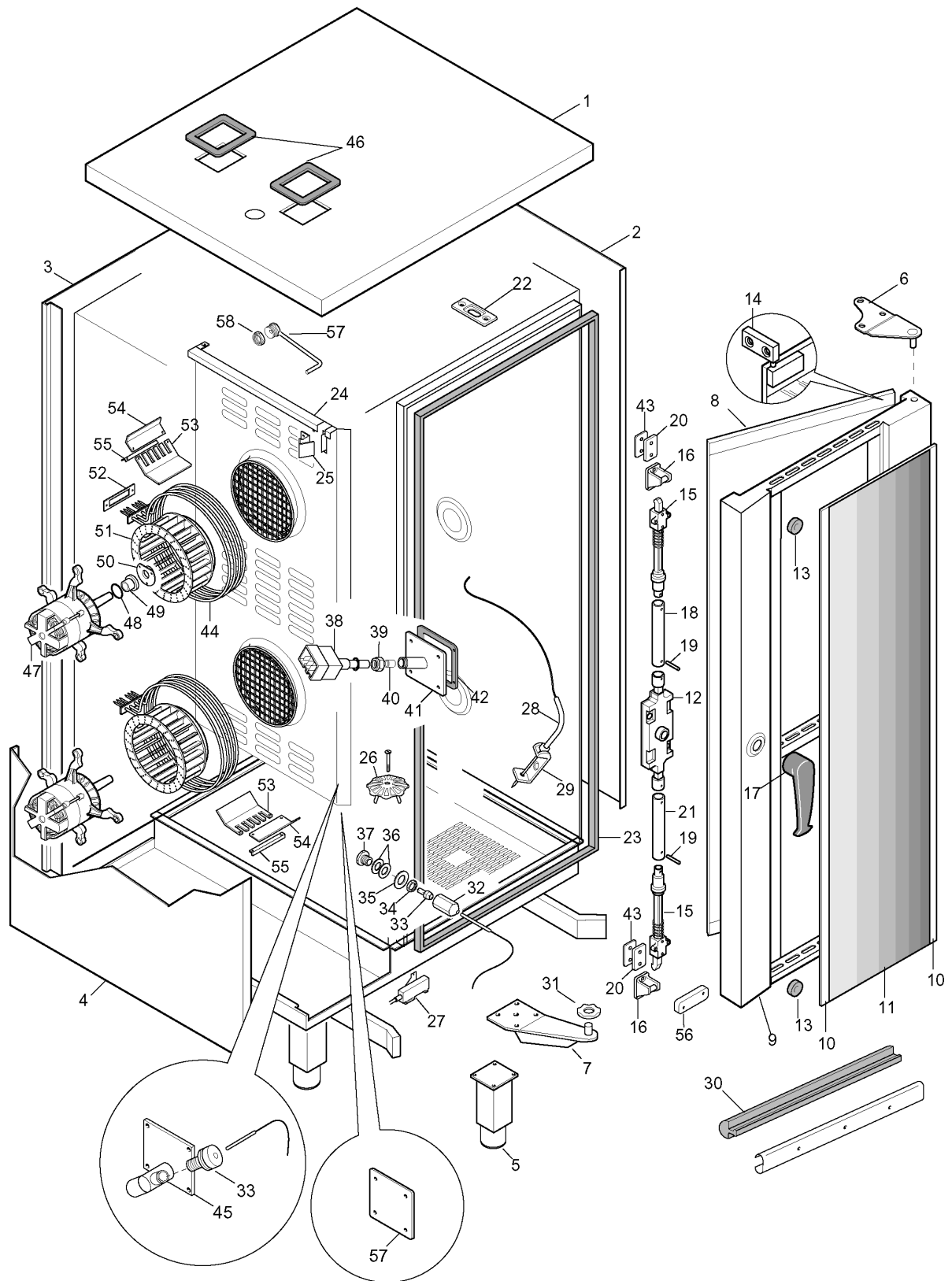
Brand / Marchio: ZANUSSI
Factory code: 9PDD

OV / DOC

From ser. nr. / Da Ser. Nr.: ***

Page: 1 Ed. 2008 01

Doc. Nr.: **3 - 13 306**



From ser. nr. / Da Ser. Nr.: ***

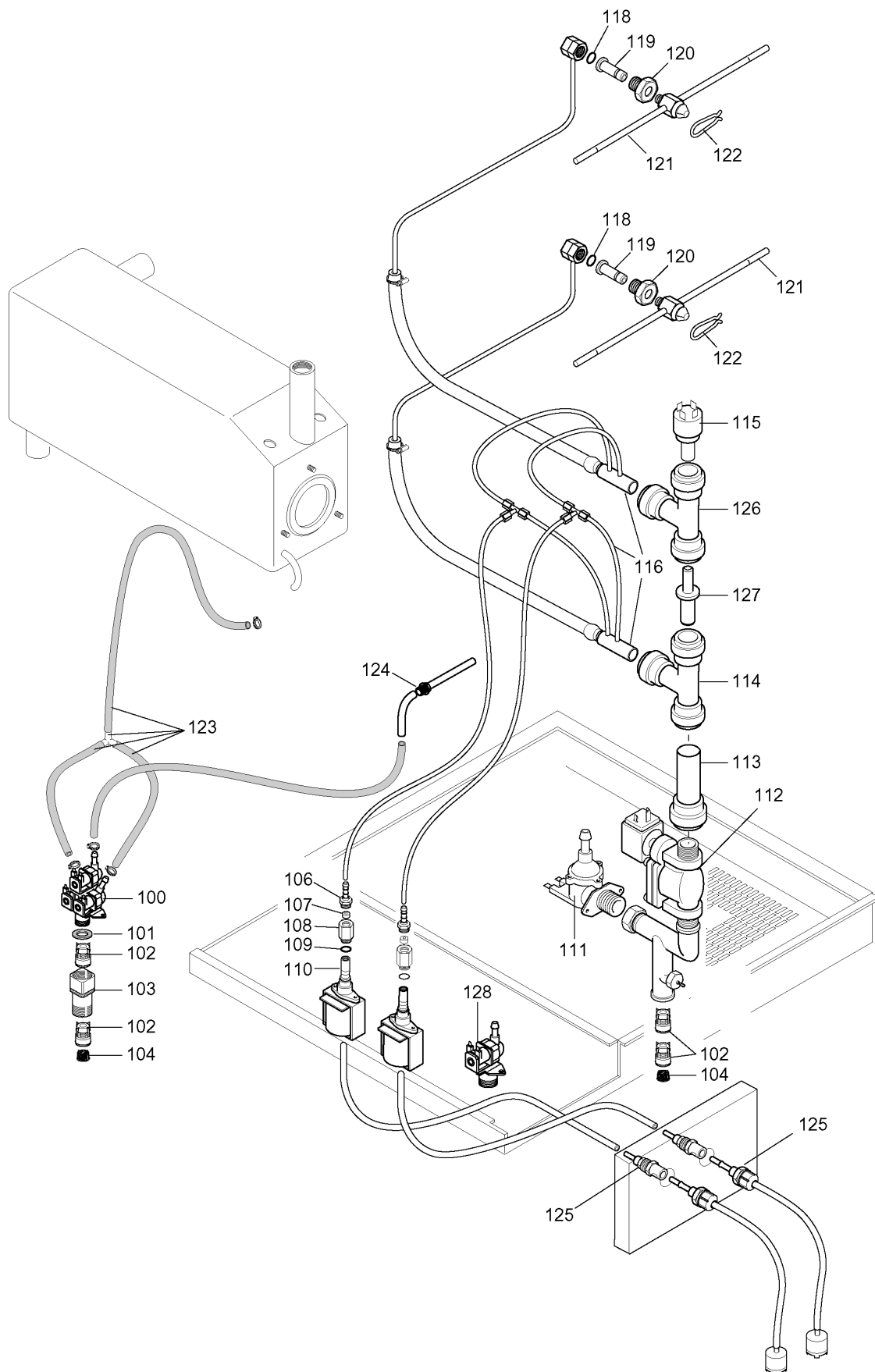
Page: 2

Ed. 2008 01

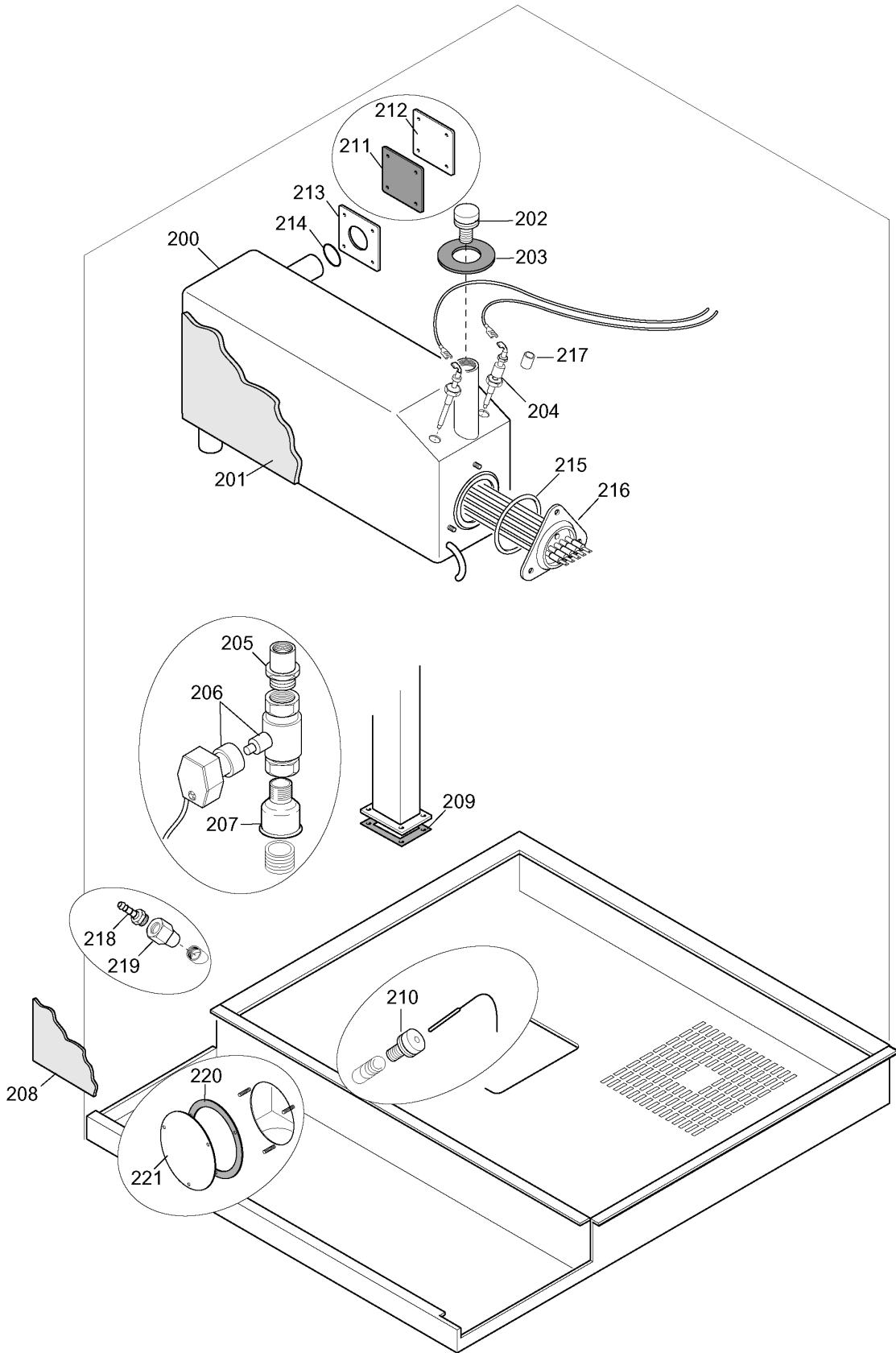
Doc. Nr.: **3 - 13 306**

??????	238004								
??????	3-13306	???????? 2	Oven cabinet and door						
.		Alias		S			.		(Euro)
0000	0C4119	0856808701		S				DOOR CLOSING ASSY; AOS-Q 20	206,00
0001	0C4305	0873871302			D			LID; ASSY; AOSQ 20 1/1 ELT	741,00
0002	0C4117	0870862500			D			RIGHT SIDE; EST.DX AOSQ 201	928,00
0003	007097	0522846602			D			BACK	772,00
0004	007096	0522846103			D			LEFT SIDE	535,00
0005	0C4824	0806871700		S				ADJUSTABLE FOOT; 2" INOX; 190-250MM	39,99
0006	007086	0512816004						HINGE	48,92
0007	0C2483	0806843300						LOWER HINGE; ASSY	86,28
0008	0C4118	0873870102	0C5083					GLASS; INT.LW 20 1/1 AOS2	
0009	0C5069	0873875909			D			DOOR ASSEMBLY; ONE 201	3 015,00
0010	0C4970	0530873600						PROFILE; DX ONE 20X	54,71
0010	0C4971	0530873700						PROFILE; SX ONE 20X	56,64
0011	0C4945	0574818700						DOOR GLASS; EXT; ONE 201	154,30
0012	006976	0543828001		S				SHOCK ABSORBER	4,33
0013	003824	0853821500						CENTRAL LOCK MECHANISM	91,00
0014	007007	0806822000		S				HINGE	16,36
0015	003822	0853821600	0K2246					HOOK; CLOSING DOOR	
0016	0C3802	0538804900		S				CATCH; FCP 20	43,44
0017	0C4308	0831838002	0C8719					HANDLE; ASSY; AOSQ 20	
0018	0C4309	0513800501		S				SLIDE ROD; UPPER	22,23
0019	060920	0214593100	0H6043					SPRING COTTER	
0020	0C4120	0538807300						THICKNESS; FCS 20 10/10	11,89
0021	0C4310	0513801100		S				SLIDE ROD; LOWER	32,28
0022	0C4088	0543839700		S				GASKET	8,13
0023	0C1473	0543833700		S	A			OVEN GASKET; 1438X450MM	129,90
0024	0C4798	0831849101						SUCTION WALL; AOSQ 201 ELT	410,10
0025	0C3423	0518807301						SPRING; SUCTION WALL	19,63
0026	0C1740	0518808600		S				FILTER	13,26
0027	049621	0654600000				+		REED SWITCH	15,00
0028	0C1383	0831816100		S	A			CORE PROBE	b,d,f,g,h,i 155,30
0029	0C1505	0527865200						SUPPORT	7,29
0030	0C4121	0543839500		S				DOOR GASKET; LOWER; L=657 MM	37,86
0031	002653	0510815700						SPACER FOR HINGE	13,62
0032	006991	0516855300						NUT	22,43
0033	0C4872	0543842600		S				PLUG; FOR SENSOR	7,29
0034	020997	0214105101						LOCK NUT	1,25

??????	238004								
??????	3-13306	???????? 2	Oven cabinet and door						
.		Alias		S			.		(Euro)
0035	002700	0508838701						WASHER	3,07
0036	002624	0543816300						GASKET; SET 50 PCS	24,16
0037	002623	0516809400						PIPE FITTING	10,04
0042	0C4093	0543838300		S				GASKET	11,09
0043	0C4122	0538807400		S				THICKNESS	8,77
0044	007064	0617823801	0C6501		A			HEATING ELEMENT; 5670W-400V	a,b,e,f,g,i
0045	0C4311	0806856300						HOSE; WITH FLANGE; AOSQ 20	b,d,f
0047	006998	0611806001		S	A			MOTOR ;190W 230 V 50/60 HZ; 4/6 POLES	228,40
0048	002873	0543816700						O-RING; ØI=MM.28,17X3,53	2,43
0049	002699	0516808902						BEARING; FOR MOTOR SHAFT	20,50
0050	0C4138	0538815401		S				FLANGE	5,81
0051	0C1129	0831808400	0C6463					FAN BLADE; ASS.	
0052	002689	0543816501						HEATING ELEMENT GASKET	26,09
0053	0C3830	0527833700		S				SUPPORT	14,58
0054	006256	0503891801		S				BLADE; FOR FIXING HEATING ELEMENT	15,20
0055	006253	0503897402		S				ANGLE	9,19
0056	049627	0699603700						MAGNET	9,82



??????	238004								
??????	3-13306	???????? 3	Water system						
.		Alias		S			.		(Euro)
0100	0C1934	0696805600		S	A			SOLENOID VALVE;V380;230V 50/60HZ;3 WAY	a,b,c,d,e,f 62,10
0101	0C4096	0543840600		S				FILTER GASKET	1,27
0102	0C2312	0549801800		S				NONRETURN VALVE	5,86
0103	0C2313	0516879400		S				PIPE FITTING	a,b,c,d,e,f 29,54
0104	0C1155	0831811400		S				FILTER	15,97
0124	007075	0H22982800		S				PIPE	a,b,c,d,e,f 29,84
0128	0C3254	0696805700		S	A			SOLENOID VALVE; 1 WAY; 180°;230V 50-60HZ	b,d,f 13,98



From ser. nr. / Da Ser. Nr.: ***

Page: 4

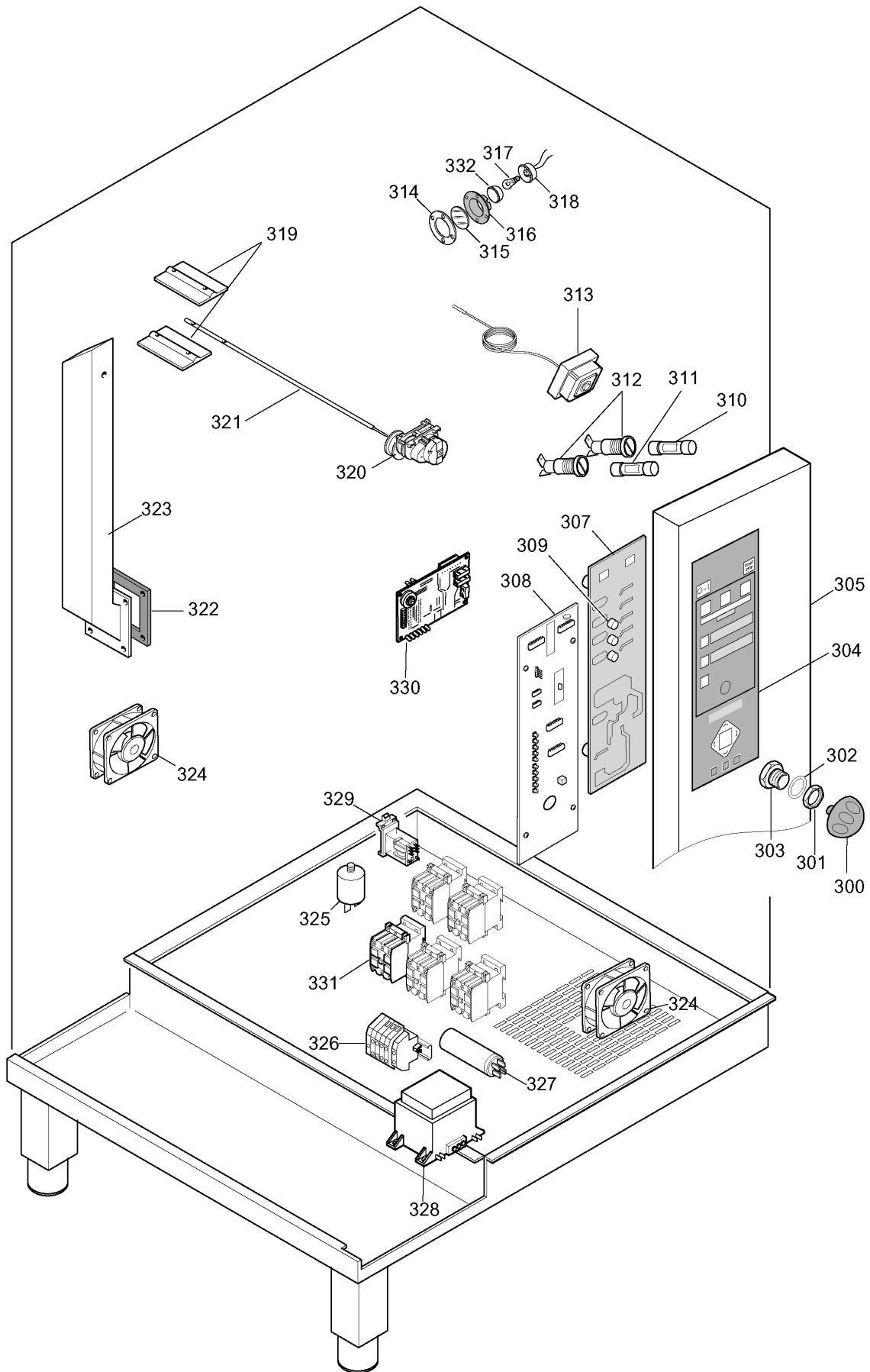
Ed. 2008 01

Doc. Nr.: **3 - 13 306**

?????? 238004

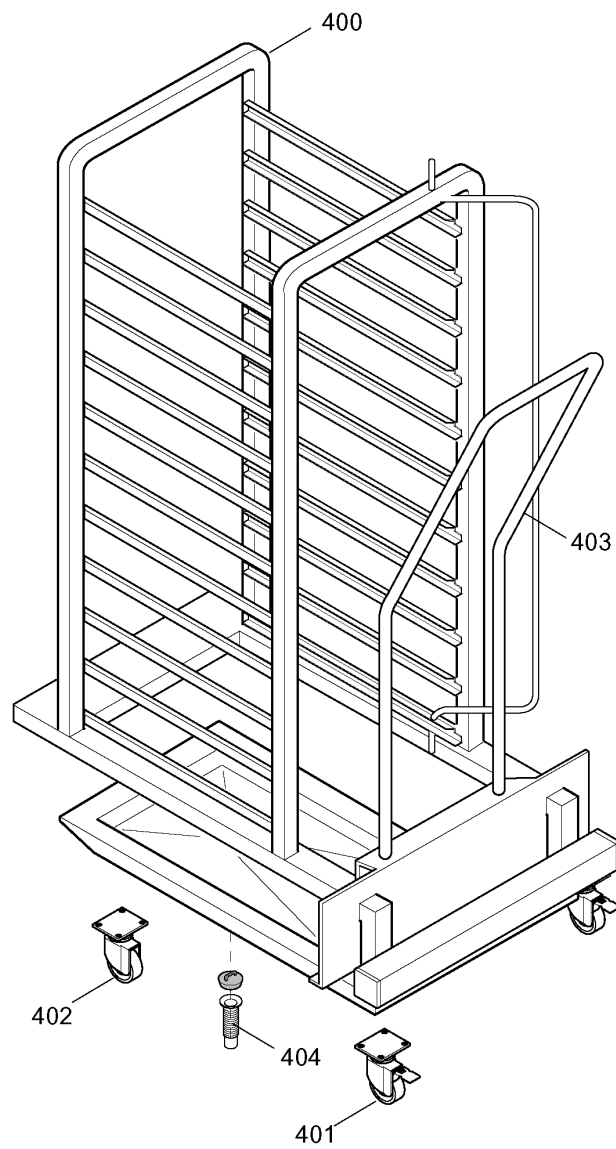
?????? 3-13306 ???????? 4 Boiler

.		Alias		S			.		(Euro)	
0200	0C4351	0831844600	0C5852					BOILER; ASSY; AOS-Q 10 2/1 - 20 1/1 ELT.	a,b,c,d,e,f	
0201	0C4352	0560855600		S				BOILER INSULATION; KIT; AOS Q 102 - 201	a,b,c,d,e,f	47,10
0202	002692	0543816601						CAP; DESCALING LOAD IN THE BOILER	a,b,c,d,e,f	6,76
0203	002634	0543817500	0C7016					BUFFER	a,b,c,d,e,f	
0204	0C1201	0830890600		S	A			LEVEL PROBE; ASSY	a,b,c,d,e,f	32,99
0205	007117	0516809501		S				CONNECTION	a,b,c,d,e,f	15,81
0206	0C0882	0696804201		S	A			MOTOR-OPERATED VALVE; 3/4" 230V 50/60HZ	a,b,c,d,e,f	144,10
0207	007040	0511817600		S				CONNECTION	a,b,c,d,e,f	11,09
0213	005381	0508839400		S				FLANGE	a,b,c,d,e,f	9,14
0214	002874	0543816800						O-RING; ØI=31,34X3,53 MM	a,b,c,d,e,f	3,48
0215	007029	0543828800		S				O-RING; ØI=56,52X5,34MM	a,b,c,d,e,f	6,58
0216	007101	0617824800	0C5383	S	A	+		HEATING ELEMENT; 24KW 400V	a,b,e,f	
0217	055347	0515857001						SPACER; H=11,5MM	a,b,c,d,e,f	5,81
0218	0C1626	0516872000		S				RUBBER HOLDER	a,b,c,d,e,f	7,32
0219	0C4099	0516879600		S				NOZZLE; 1/4"FD3.5-3/8"M	a,b,c,d,e,f	18,88



From ser. nr. / Da Ser. Nr.: ***

??????	238004									
??????	3-13306		???????? 5				Electrical components			
.		Alias		S			.			(Euro)
0300	0C4875	0548872200		S					KNOB; BLACK	5,29
0301	051263	0214114900							LOCK NUT	3,80
0302	002727	0508836400							WASHER	1,02
0303	002662	0516807301							BUSH	6,02
0304	0C4948	0675855000							ADHESIVE MEMBRANE; ONE; LIV.B	b,d,f 67,90
0305	0C4908	0873896600							CONTROL PANEL; ONE 201 LIV.B	b,d,f 270,00
0307	0C0041	0675838802		S	A				USER INTERFACE; LIV B	b,d,f 332,90
0308	0C5150	0675852400	0C0042						POWER BOARD; COP20-B SW3.10	b,d,f
0309	002670	0548836902							EXTENSION; L=6,95MM	1,02
0310	058871	0652800901							FUSE; 6,3A; 5X20; QUICK ACTING	1,02
0311	0C2301	0652803900		S					FUSE; OMEGA 800MA (COD. ST22180)	1,27
0312	0F0031	0652802100							FUSE CARRIER	16,08
0313	007042	0646812200		S	A				SAFETY THERMOSTAT; 357°C	93,15
0314	002628	0508840801							FLANGE	4,01
0315	002627	0574804900						+	LAMP GLASS	10,24
0316	002626	0543817202						+	LAMP HOLDER GASKET	15,39
0317	0C2803	0660807800	0C4396		D				HALOGEN LAMP; 12V 20W 300GR.CENT.	
0318	007105	0660806800		S					LAMP HOLDER	27,61
0319	0C1169	0538804000							THROTTLE	19,89
0320	0C0883	0646812801			D		PDD2012 -14		GEARMOTOR; 230V 50HZ; 4VA	79,37
0321	0C4315	0516887601	0C5524						ROD; 20 1/1	
0322	0C1168	0543832200		S					GASKET	31,57
0323	0C1219	0831806402							PIPE	69,53
0324	0C4106	0624811000			A				FAN; 220/240V 50/60HZ	37,76
0325	049303	0694605400							RADIO INTERFERENCE FILTER; 250V 50/60HZ	23,55
0326	0F0112	0639808600							TERMINAL BOARD	a,b,e,f,g,i 28,62
0327	047541	0694604400							CAPACITOR; 12,5MF	12,31
0328	007045	0624806900		S	A				TRANSFORMER; 100VA 230/12V	a,b,e,f,g,i 54,10
0329	058557	0648803001	058857						RELAY	a,b,c,d,e,f
0331	007104	0648807800		S	A				CONTACTOR; 220-240V 50HZ/240-264V 60HZ	a,b,e,f 115,60
0331	088477	0648807300		S	A				CONTACTOR; 220-240V 50HZ/240-264V 60HZ	a,b,e,f 28,84
0332	0C4459	0509803900		S					LAMP CAP	5,91



??????	238004								
??????	3-13306	???????? 6					Tray support		
.		Alias		S			.		(Euro)
0000	0C0324	0830898900	0C6538		A			PROBE; 400 MM	
0000	0C0325	0830899000		S	A			TEMP.PROBE; THERMOCOUPLE; L=85CM; BOILER	39,89
0000	0C0326	0830899100	0C6539					PROBE; 1200 MM	
0400	007106	0853854207			D			TROLLEY TRAY RACK F. 20X1/1GN.63MM PITCH	a,b,c,d,g,h 2 040,00
0401	0C1631	0835865000		S				CASTOR WITH BRAKE; DIA 100MM	37,56
0402	0C1632	0835865100		S				CASTOR WITHOUT BRAKE	31,06
0403	007108	0517868200						HANDLE	137,00
0404	006309	0H21503300		S				TUB DRAIN	34,10