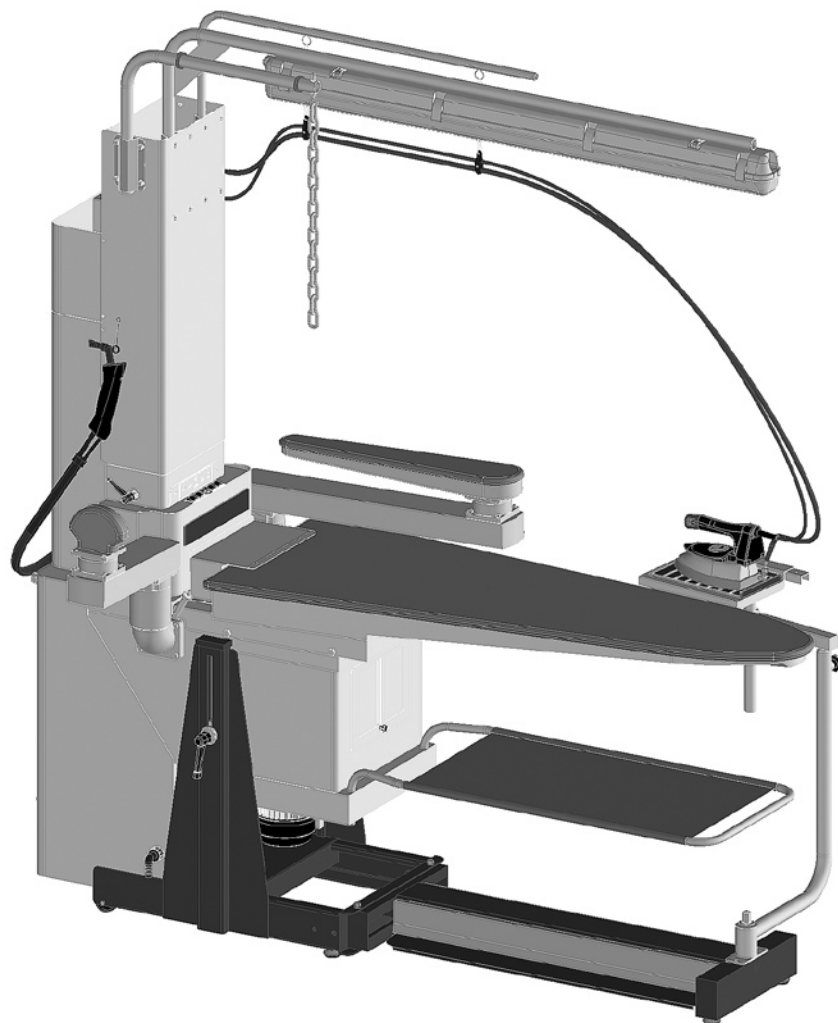




FIT2-WC

Wetcleaning Ironing Table with built-in boiler

Usage and Maintenance



Index

1. Introduction	4
1.1. Content and purpose of this manual	4
1.2. Safety precautions	4
1.3. Manufacturer's liability	4
2. Description of the appliance	5
2.1. How to identify the appliance	5
2.2. Technical specifications	5
3. Installation	6
3.1. Upon receiving the goods	6
3.2. Assembling	6
3.3. Electrical connection	12
3.4. Water connection	12
3.5. Training of the operator	12
4. Use	14
4.1. Safety precautions	14
4.2. Adjustments	14
4.3. Usage	14
4.4. Upon terminating work	15
5. Maintenance	17
5.1. Maintenance allowed to the user	17
5.2. Maintenance to be carried out by the technician every year	17
6. Troubleshooting	20
6.1. Solution to common problems, allowed to the user	20
6.2. Solution to failures, for the use of the authorised service center	21
7. Appliance stop	23
7.1. Prolonged stop	23
7.2. Transportation	23
7.3. Decommissioning	23
8. Technical diagrams	25
9. Spare parts diagrams	28

1. Introduction

1.1. Content and purpose of this manual

This manual contains instructions concerning the installation and maintenance of pressing equipment in conformity to the present European Community Directive. Therefore you will find information on the following subjects:

- Information on appliance technical features;
- Instructions on installation and operating of the appliance.
- Instructions on maintenance and servicing.
- Technical diagrams
- Exploded views of spare parts

This manual is for the user, the installer and the technician; they will have to read and understand it carefully before installing, using or servicing the appliance.

This manual should be kept with the appliance and read before operation; in case of loss or damage please ask the builder for a new copy.

The builder is not responsible for any consequences arising from the neglecting of all instructions reported in this manual.










The content of this manual is property of the manufacturer. Duplication of this manual is forbidden.

1.2. Safety precautions

Ignoring the following safety precautions can cause damage either to people, linen, animals and to the appliance.

The following symbols, on the appliance and in this manual, advise about possible risks.

Legend of the safety symbols found on the appliance and in this book:

	Warning: live electricity
	General warning: follow instructions to avoid damage to the appliance or to people.
	Warning: hot surface / burn hazard
	Warning: high temperature
	Risk of injury to hands of feet
	Wear gloves
	Wear protective shoes
	Wear a helmet
	Information, notice, advice

Carefully read the entire manual before installing, operating or servicing the appliance.

Installation and maintenance the product described in this manual must be performed by authorised and qualified technicians who know the products and are acquainted with standards for installation of industrial pressing equipment.

The builder is not responsible for external connections not duly performed.

The product described in this manual must be used only to iron garments and linen. Any other use is forbidden unless builder authorizes it in writing.

Do not press fabrics contaminated by dangerous substances such as explosives, inflammable, etc. Make sure they are rinsed or aired before ironing.

To prevent fire hazard or explosions do not stand near the appliance with explosive or inflammable products.

Use the surface only if covered by its padding (the padding must be dry). Do not pour liquids on the surface of the table.

Do not spray water or steam on the switch and on the built-in socket.

Use of the appliance is allowed only to professional operators who have been trained on how to operate the appliance. In any case the use of the appliance is forbidden to children under 14 years of age.

Do not remove safety protection devices.

Do not leave appliance unattended while in operation.

Do not remove safety symbols from the appliance

1.3. Manufacturer's liability

This manual instructions are not intended to substitute, but only to combine obligations of current legislation on safety standards.

With reference to information included in this manual, the manufacturer is not responsible in case of:

- neglect of local safety standards during appliance utilisation;
- incorrect installation of the appliance;
- neglect or incorrect observance of instructions included in this manual;
- faults of voltage or of the feeding systems;
- connection to electrical plant non compliant with EC safety requirement, in particular if the plant lacks grounding, thermal magnetic protection and differential protection;
- unauthorized changes on the appliance;
- utilisation of the appliance by unauthorized, untrained or non-professional operators;
- neglect of maintenance operations;
- use of non original spare parts.

2. Description of the appliance

The unit described in this manual is a suction blowing ironing table with built-in boiler.

This product is designed for professional use in:

- garment manufacturing industries;
- large and small Industrial dry cleaners;
- garment finishing industries.

The product must be utilized by only qualified personnel, who have been specifically trained on this type of machinery.

The manufacturer does not accept any responsibility for damage caused due to improper, erroneous or unreasonable utilization of the appliance.

2.1. How to identify the appliance

The appliance is identified by a technical data plate. The plate is found on the back of the appliance, as shown in Figure 2.1. Do not alter or modify in any way the data on the identification plate. Do not remove the identification plate.

Figure 2.1 - Identification plate



Description of the data in the identification plate

Serial N	5 digits serial number
Type	Product code
V	Tension
Hz	Frequency (cycles)
KW	Power absorption
Date	Date of production

2.2. Technical specifications

Refer to Table 2.3 for technical specifications.

Figure 2.1 shows the dimensions of the appliance.

i This manual describes all the versions of the appliance. Before reading the manual identify the version of the appliance you own by reading the appliance "type" in the technical data plate. While reading the manual take into account only the information related to the version of appliance you own.

Figure 2.2 - Appliance dimensions

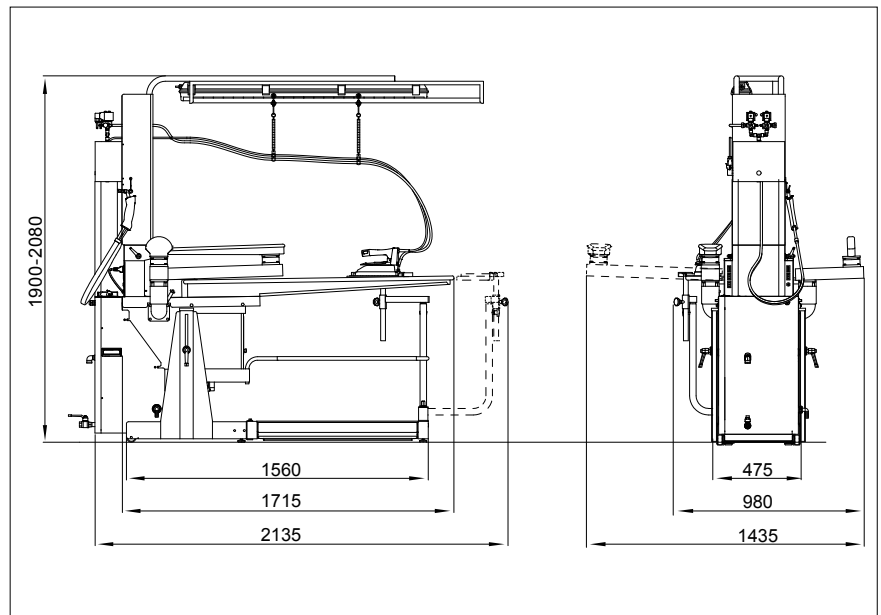


Table 2.3 - Technical specifications

	2521
Electrical requirements	400V 3N AC 50Hz
Suction motor	0.6 kW 3ph
Board heating	0,4 kW
Pump	0,8 kW
Boiler	4 kW
Weight	100 kg
Noise	70 db (A)
Ambient temperature	15 to 40° C

3. Installation

3.1. Upon receiving the goods

The appliance is delivered mounted on crate and protected by a plastic film and, in some cases, by a cardboard box.

1. Position the crated appliance near to the final location of installation. The crated appliance must be moved using suitable devices, such as a forklift.
2. Unpack the appliance and separate cardboard from plastic. Dispose of carton and plastic according to local regulations.
3. Unscrew the bolts that fix the appliance to the crate.
4. Move the appliance from the crate to its final position.



CAUTION - The appliance can be moved by hand by experienced personnel only. Wear gloves, helmet and protective shoes when moving the appliance.

3.2. Assembling

3.2.1. Packing list

Refer to figures 3.1

The package contains:

- Machine body
- Parts to be assembled:
 - (1) garment tray;
 - (2) plastic bag with covers;
 - (3) pivoting iron support;
 - (4) chimney;
 - (5) support for hangers;
 - (6) chimney cover;
 - (7) cable holder;
 - (8) lamp support;
 - (9) iron rest;
 - (10) shoulder shape;
 - (11) sleeve arm;
 - (12) iron with mat;
 - (13) Teflon shoe for iron;
 - (14) steam gun.
- Instruction manual.

Upon receiving the goods, check that the package contains all the above listed items. Open the package, check that the pieces correspond to the Fig.3.1-3.2 and make sure that they are intact.

3.2.2. Assembling disassembled parts

Refer to figures 3.2

1. Position the appliance in its final location and adjust the supports so that the surface is flat.
2. Position the chimney and assemble it to the main body with the 4 screws provided.
3. Connect the tube attached to the chimney to the tube coming from the boiler.
4. Connect the iron:
 - a) Connect the electric cable of the iron to the plug as shown in picture. Follow wiring instruction carefully: wrong wiring may damage the iron.
 - b) Connect the plug to the socket on the side of the chimney.
 - c) Insert the two ends of the steam hose into the fittings respectively on the solenoid valve and on the iron. Secure the hose in place by means of strips.
 - d) strap together the electric cable and the steam hose of the iron.
 - e) insert the black plug in the socket on the rear of the chimney.
5. Assemble the swing arms and bucks:
 - apply the bracket P to the support Q: loosen two screws and slide the bracket dented edge under the heads of the

screws. Notice that the position of the bracket changes if the support is mounted on the other side of the table;

- insert the support Q into the elbow O;
 - insert the buck into the support;
6. Mount the optional lamp support:
 - loosen the screws that hold the bracket which is found in the inside of the chimney;
 - insert the stem of the support in the gap;
 - tighten the screws so that the bracket holds the support in place;
 - insert the lamp plug in the socket on the rear of the chimney.
 7. Mount the cable stand:
 - loosen the screws that hold the bracket which is found in the inside of the chimney;
 - insert the stem of the support in the gap;
 - tighten the screws back in place.

Hang the steam tube and the electric cord of the iron to this support in such a way that the motion of the iron is possible along the entire ironing surface.
 8. Mount the hangers stand:

Mount the stand on the side of the table where the operator will stand.

 - loosen the screws that hold the bracket;
 - insert the stem of the support in the gap;
 - tighten the screws back in place.
 9. Mount the garment tray:
 - insert the garment tray into the holes on the main appliance body;
 - slip the cover onto the frame.
 10. Mount the pivoting iron support to the base.
 11. Dress the table:
 - slip on the padding, fitting the tip pocket around the tip of the table
 - slip on the cover over the padding, close the zipper and tie the string.
 12. Mount the iron support to the body.
 13. Assemble the chimney cover.
 14. Mount the Teflon shoe on the iron.

Figure 3.1 - Elements included in the standard configuration

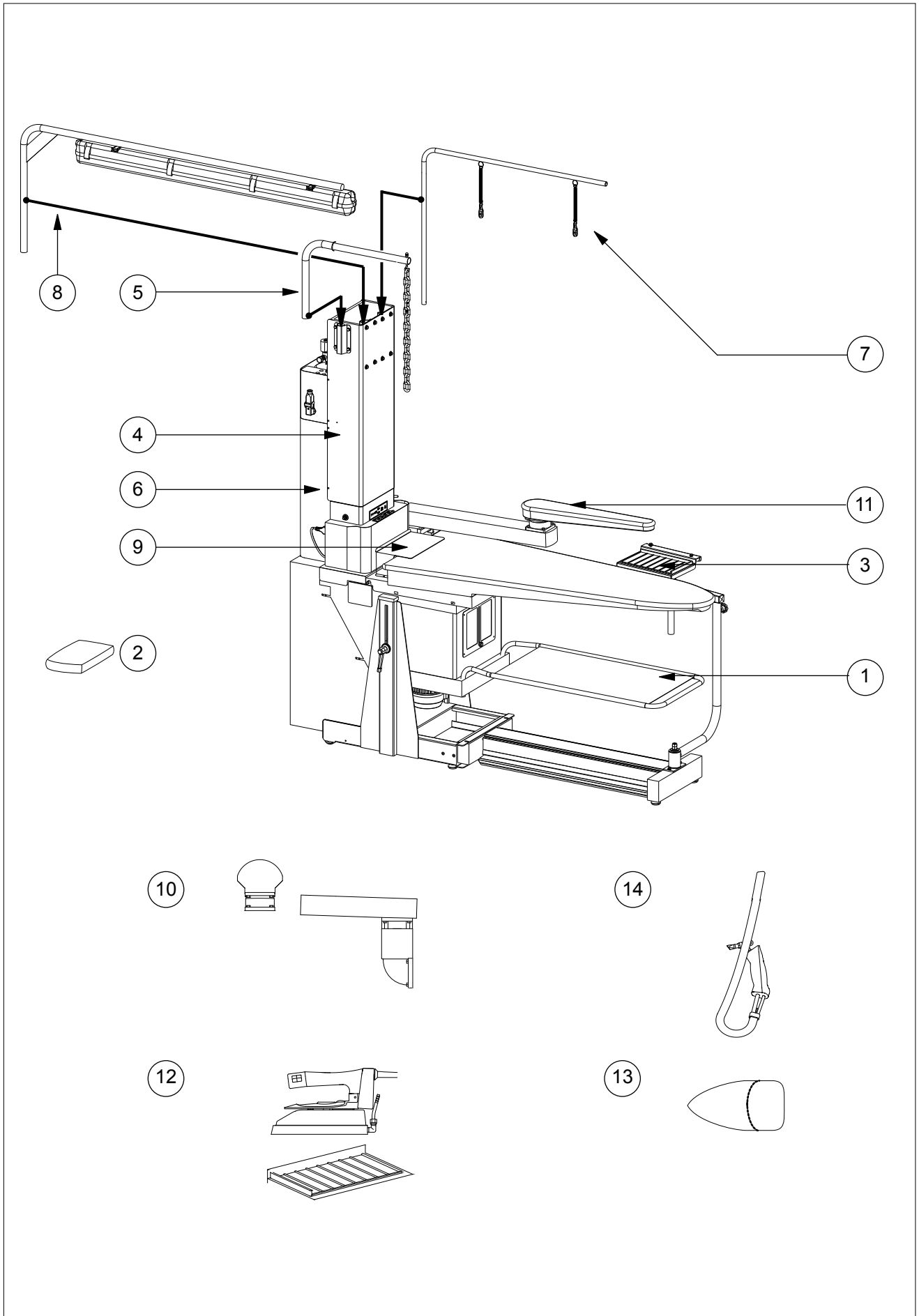
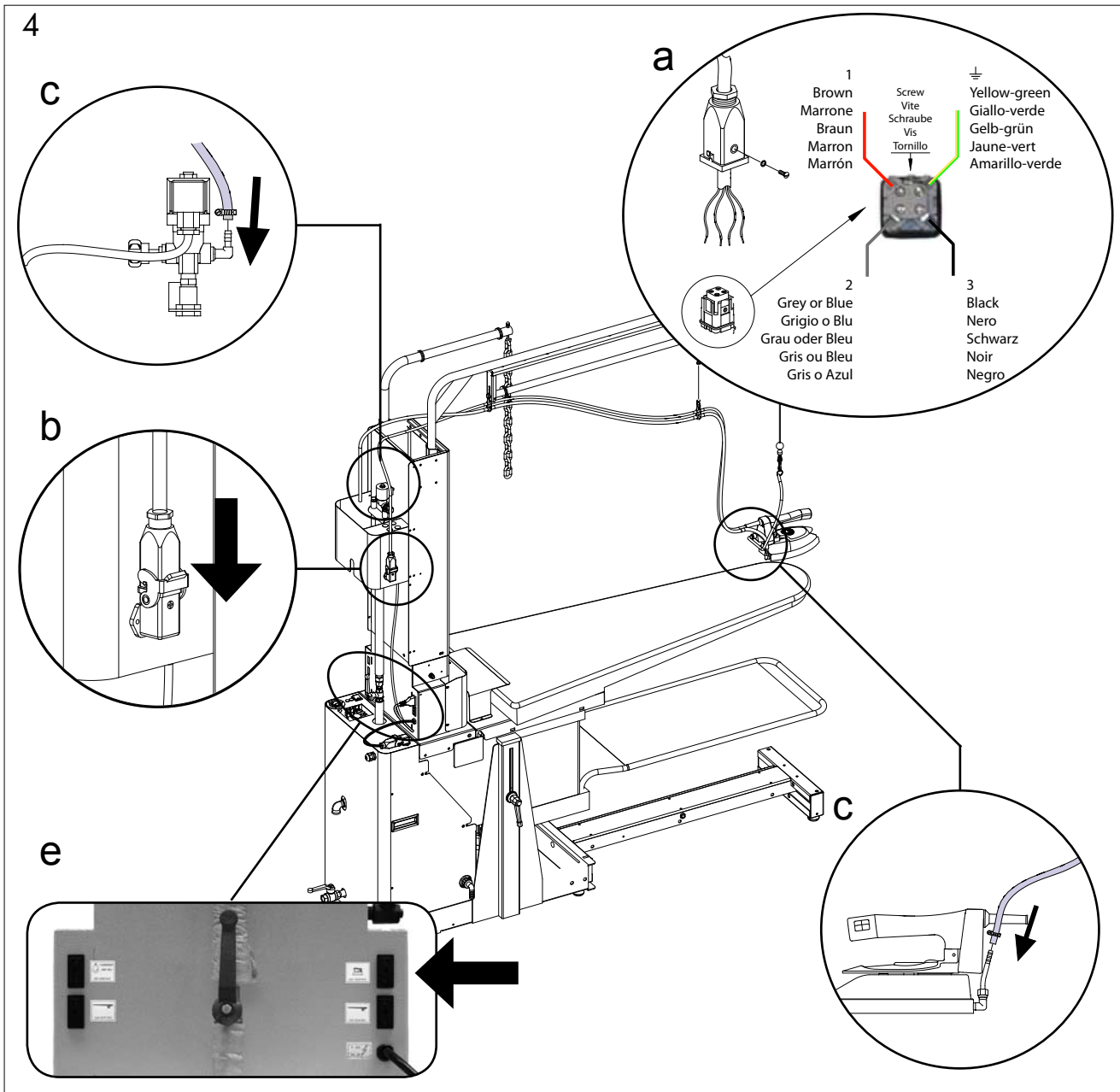
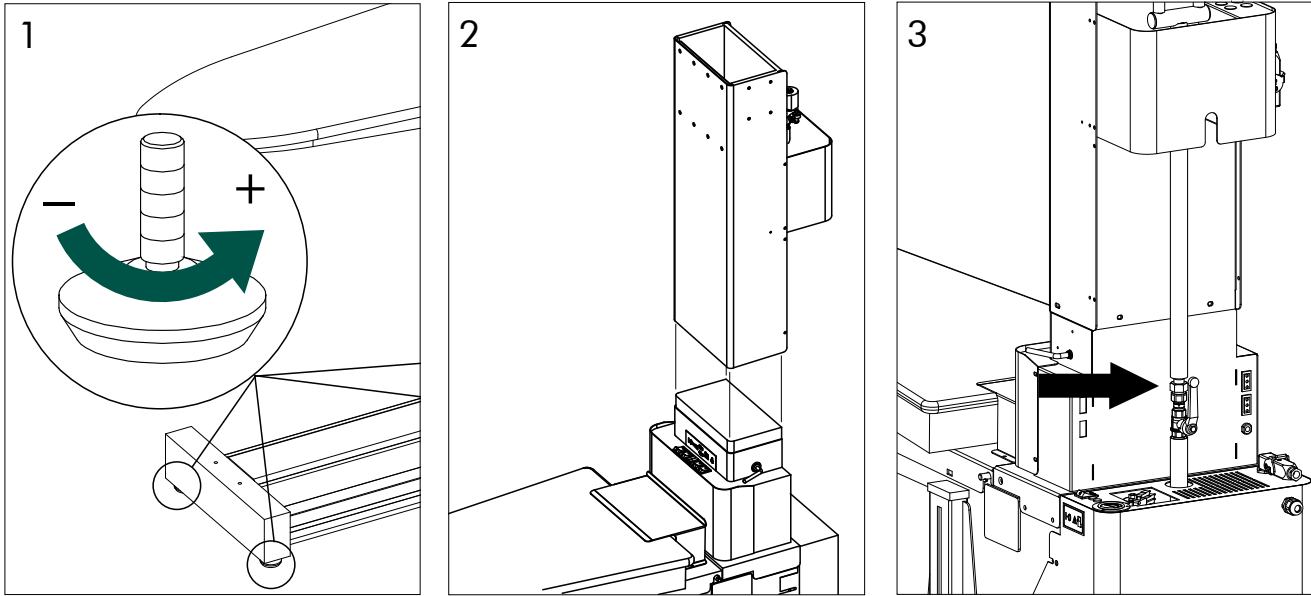
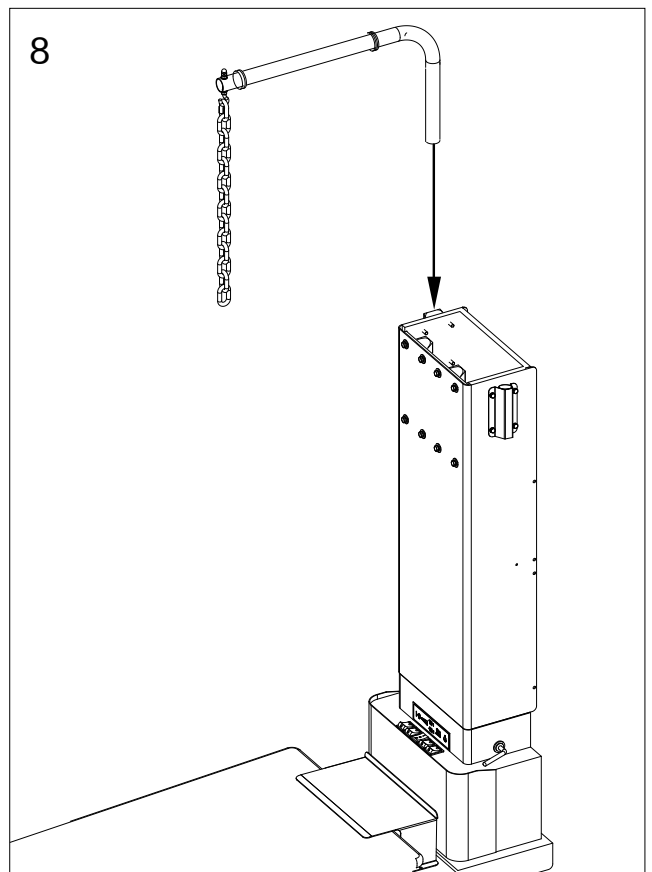
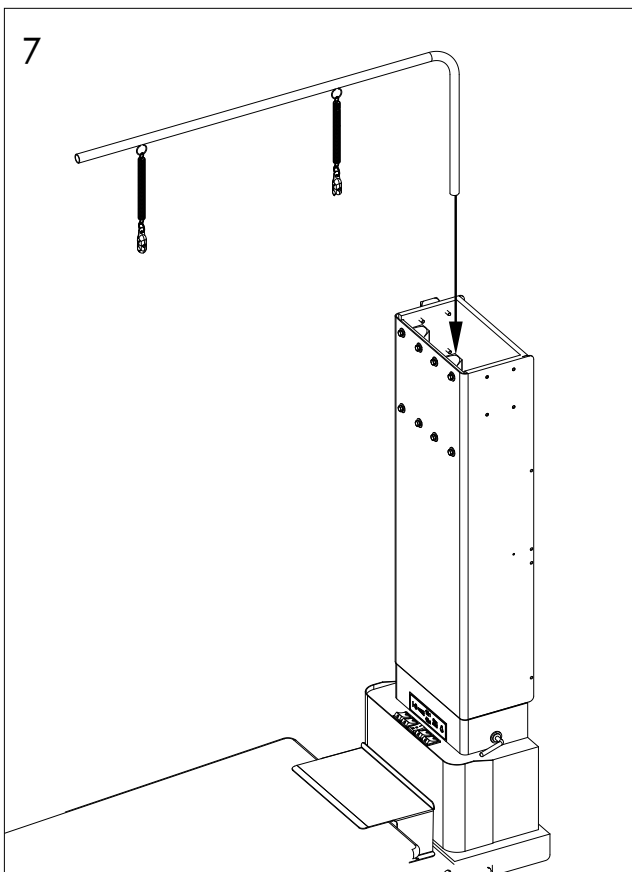
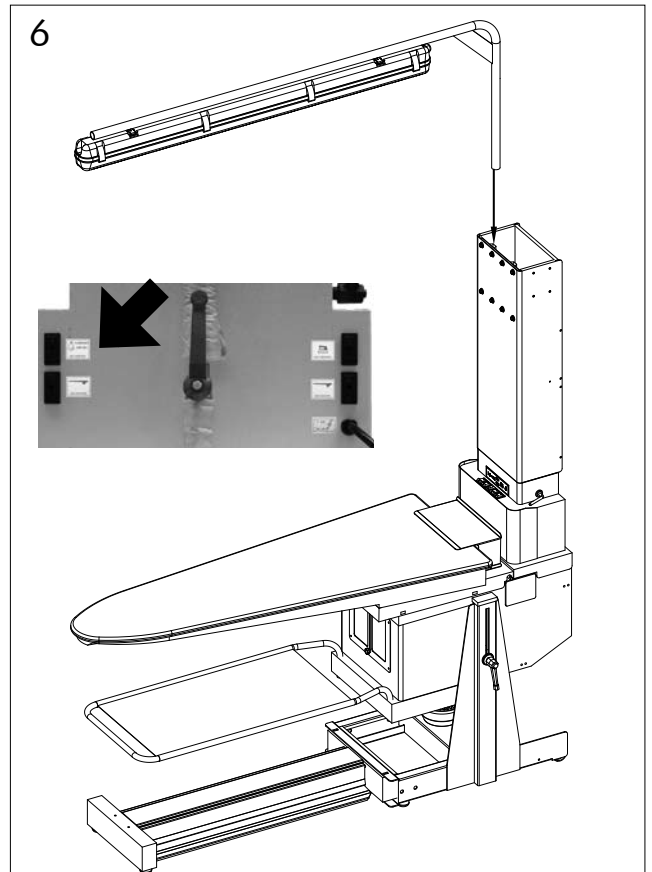
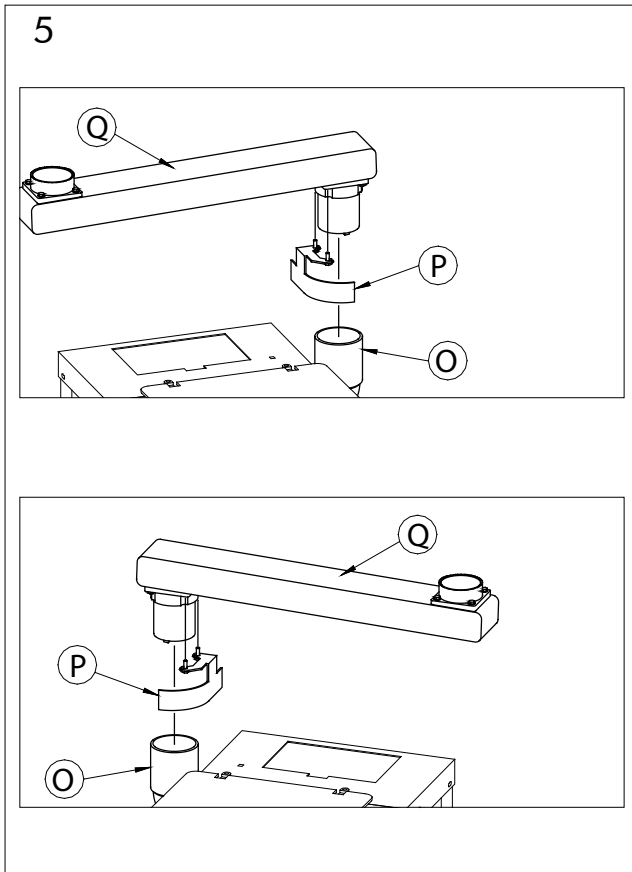
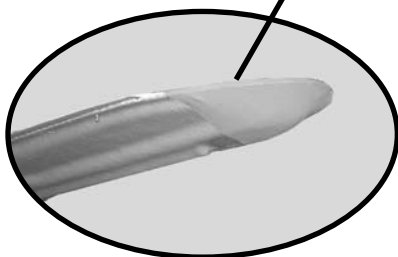
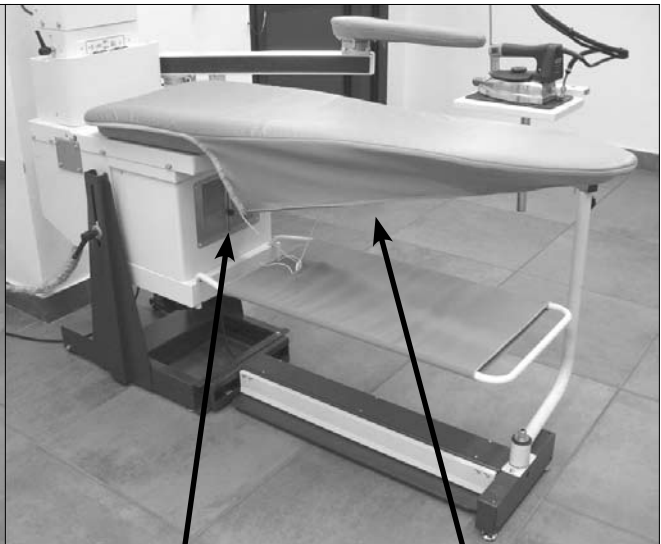
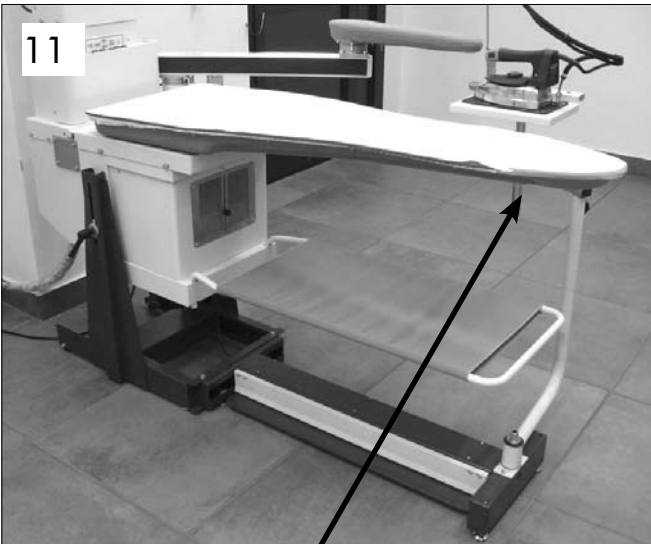
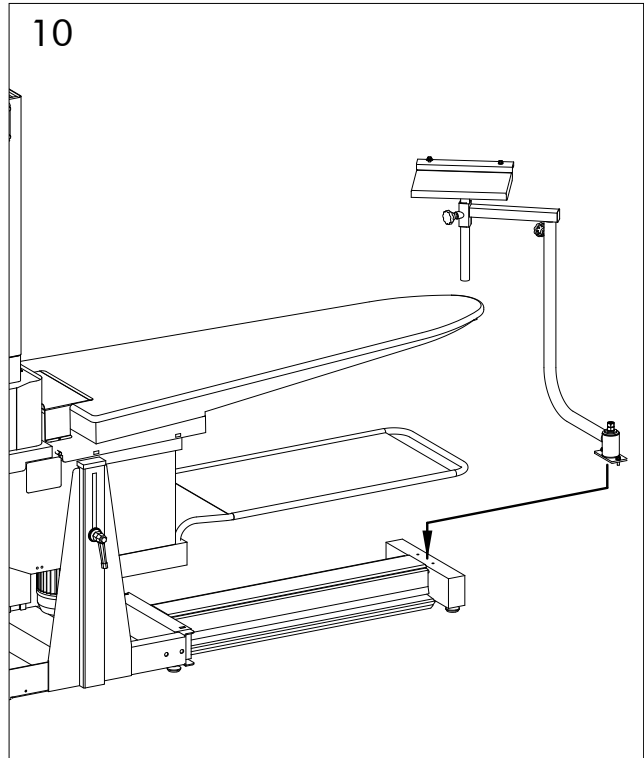
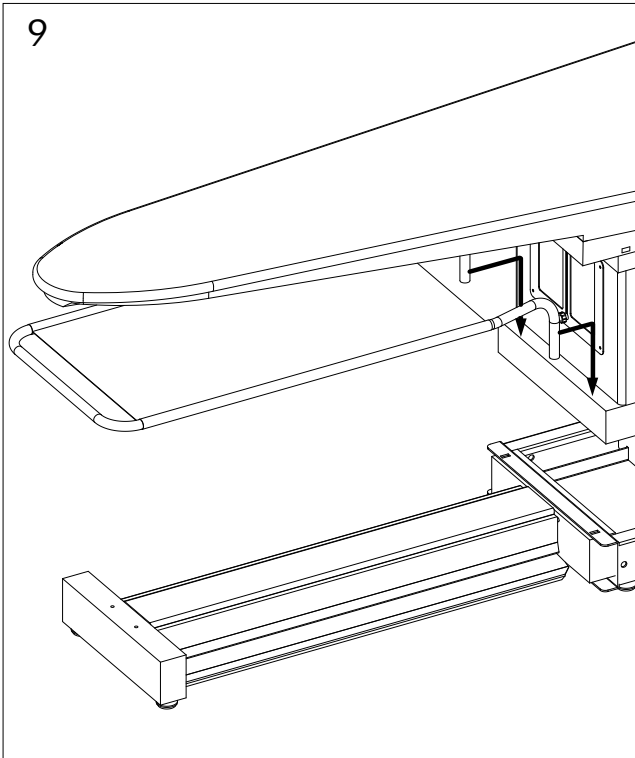
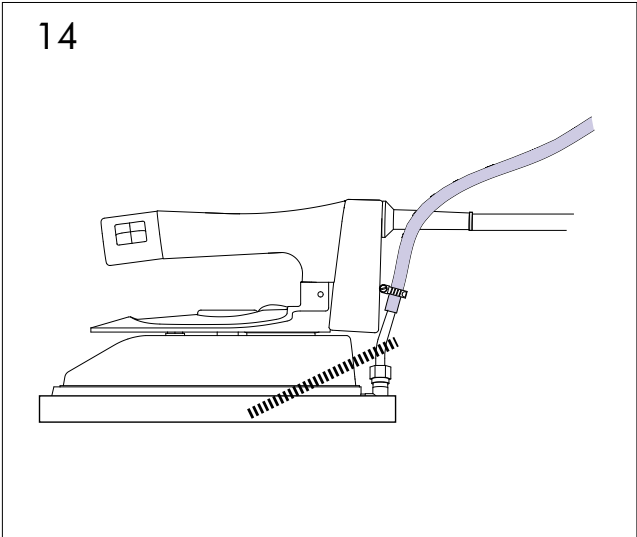
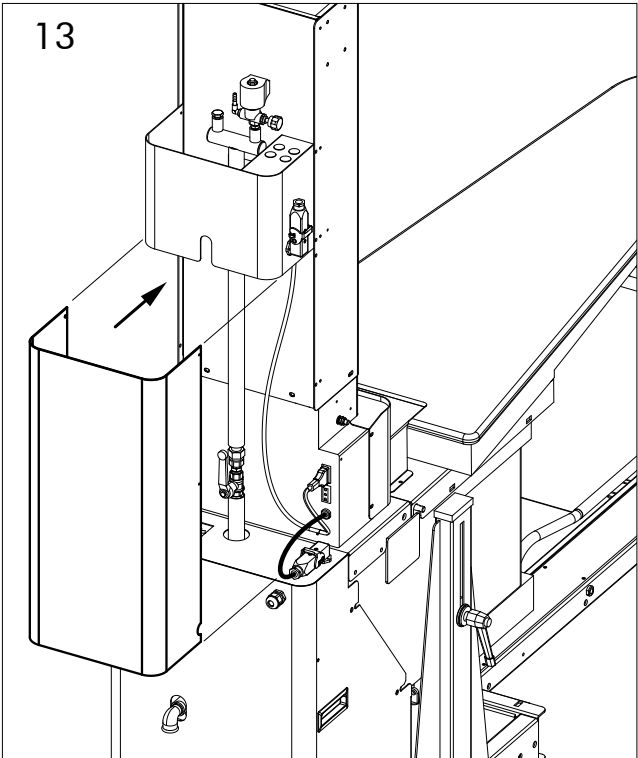
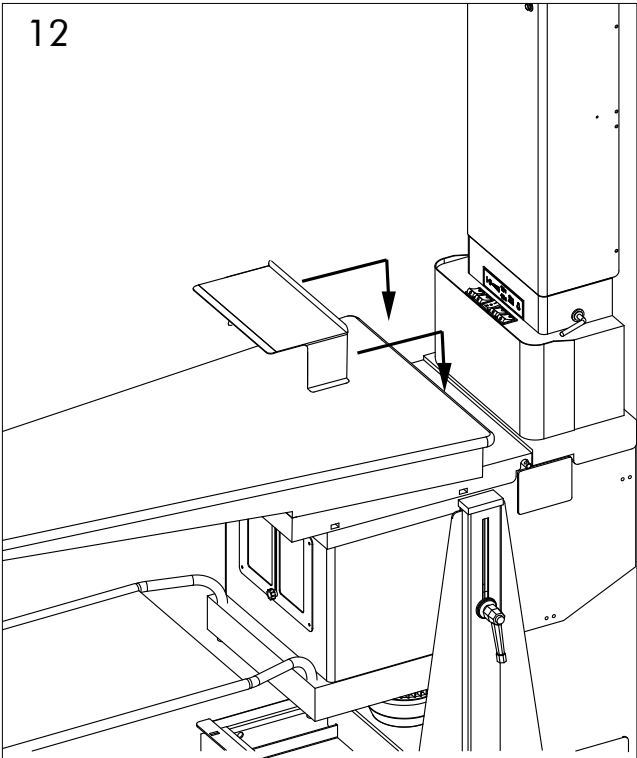


Figure 3.2 - Assembling instructions









3.3. Electrical connection

⚠ WARNING - The electrical connection is to be made by a licensed electrician only and according to local safety regulations.

The manufacturer is not responsible for damage or injury caused by improper installation.

Refer to Figure 3.3.

1. Install a multi-pole switch (circuit breaker) to facilitate installation and service operations. See table 3.5 for rating and type of connection.
2. In most countries the circuit breaker should include a protection against overcurrents (e.g. thermal-magnetic circuit breaker or fuse). If using a fuse, see power absorption on the identification plate of the appliance (see figure 2.1). In some countries the circuit breaker must include a ground fault interrupt protection.
3. Mount a plug on the power cord, see table 3.5 for rating
4. Connect the plug to the circuit breaker. The cable should hang in a gentle curve.
5. If the motor is 3-phase, check that the motor is rotating counterclockwise, otherwise switch two of three phases wires.

⚠ WARNING -The electrical line must be properly grounded to insure the safety of the operator.

ℹ INDICATION - If a Ground Fault Interrupt protection is installed: every month test the safety of the circuit by pressing the Test button of the circuit breaker. The protection ought to trip. If it does not, call a technician immediately, as the safety of the equipment is impaired.

Table 3.5 - Data for electric connection

Installation	Plug	Power cord
400V 50Hz	Plug 3P+N+T 400V 3N 16A as per standard IEC60309	Type H05VV-F 5 x 1,5mm ²
210-240V 60Hz	3P+T 210-240V 3 25A	Type H05VV5-F 4 x 14AWG

⚠ WARNING - The power cord can be replaced only by an authorised service center.

3.4. Water connection

⚠ WARNING - The connection is to be made by a licensed electrician only and according to local safety regulations.

Refer to Figure 3.4.

1. Connect the water inlet (A) to the water supply line.
 - install a non-return valve* and a faucet or ball valve on the water mains
 - connect the valve to the water inlet nozzle with a 16mm diameter tube rated for the pressure of the water mains in your area*.

*For EU countries: these items must be approved according to standard EN 61770.

⚠ WARNING - Use tap water. Do not add softening products.

2. Connect the boiler discharge outlet (B) to a safe and permanent connection, that can stand heat.

⚠ WARNING - The connection must ensure that no leakage of steam or hot water occurs during the boiler discharge operation

3. Thermally insulate the discharge pipes.

4. If necessary, install tanks or devices that allow hot water to cool before reaching the drainage system.

3.5. Training of the operator

The technician must instruct the operator on how to perform the boiler discharge procedure.

The operator must be advised that:

- during the operation, the boiler expels hot water mixed to steam;
- the operation can be carried out only if the pressure in the boiler is below 1 bar;
- the connection to the drainage system must be kept in good order and must be verified every time before performing the procedures.

For USA only

Grounding instructions

For 220V Triphase Models:

When permanently connecting this machine this appliance must be connected to a grounded, metal, permanent wiring system; or an equipment-grounding conductor must be run with the circuit conductors and connected to the equipment-grounding terminal or lead on the appliance.

When using a cord connector this appliance must be grounded. In the event of malfunction or breakdown, grounding provides a path of least resistance for electric current to reduce the risk of electric shock. This appliance is equipped with a cord having an equipment-grounding conductor and a grounding plug. The plug must be plugged into an appropriate outlet that is properly installed and grounded in accordance with all local codes and ordinances.

⚠ DANGER – Improper connection of the equipment grounding conductor can result in a risk of electric shock. The conductor with insulation having an outer surface that is green with or without yellow stripes is the equipment-grounding conductor. If repair or replacement of the cord or plug is necessary, do not connect the equipment grounding conductor to a live terminal. Check with a qualified electrician or serviceman if the grounding instructions are not completely understood, or if doubt as to whether the appliance is properly grounded. Do not modify the plug provided with the appliance – if it will not fit the outlet, have a proper outlet installed by a qualified electrician. This appliance is for use on a circuit having a nominal rating more than 120 V and is factory equipped with a specific electric cord and plug. No adaptor should be used with this appliance. If the appliance must be reconnected for use on a different type of electric circuit, the reconnection must be made by qualified service personnel; and after the reconnection, the appliance should comply with all local codes and ordinances.

For 120V Models

This appliance is for use on a nominal 120V circuit, and has a grounding plug. Under no circumstances shall the grounding plug be bypassed. No adaptor or extension cord should be used with this appliance. If the appliance must be reconnected for use on a different type of electric circuit, the reconnection should be made by qualified service personnel; and after the reconnection, the appliance should comply with all local codes and ordinances.

Figure 3.3 - Electrical connection

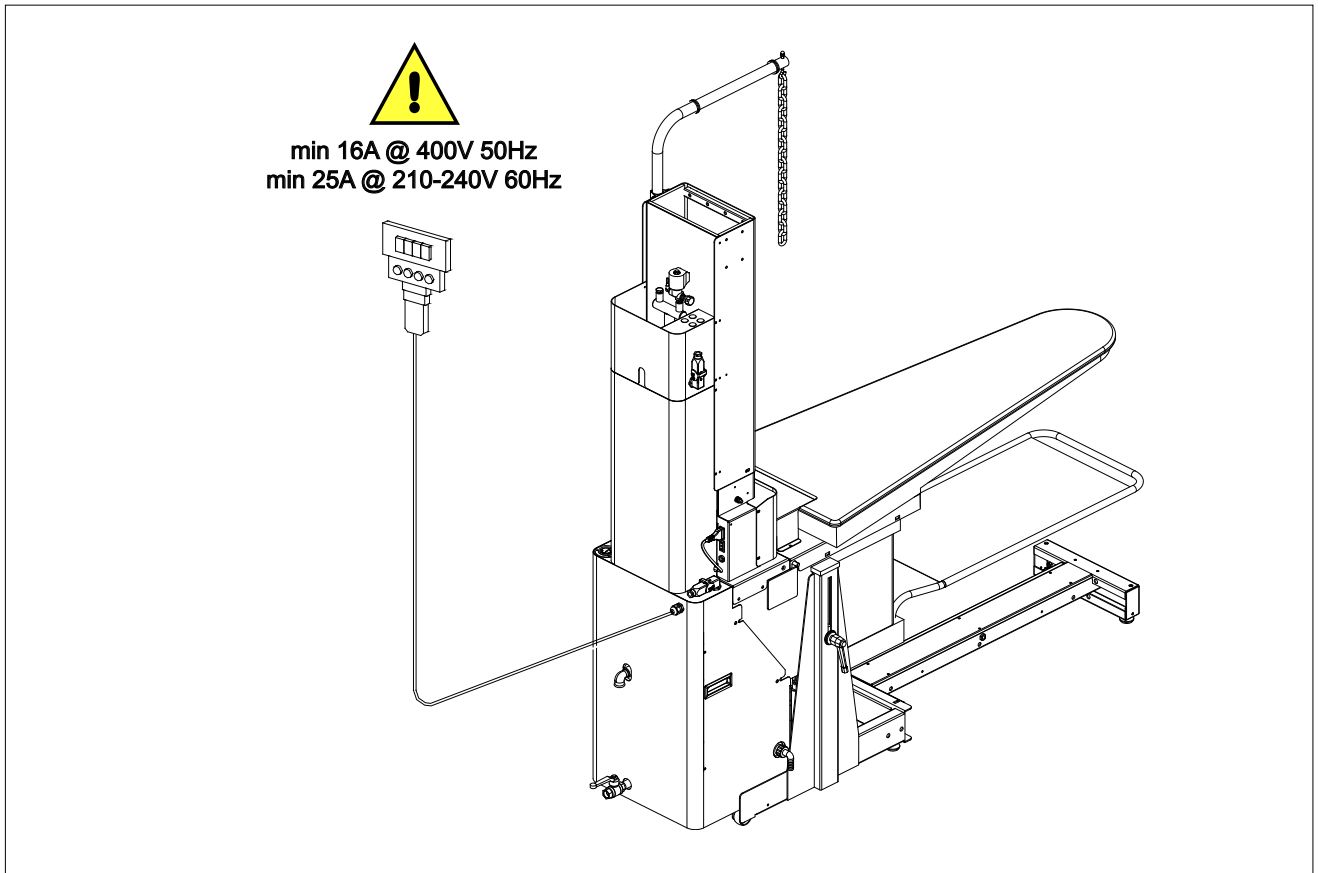
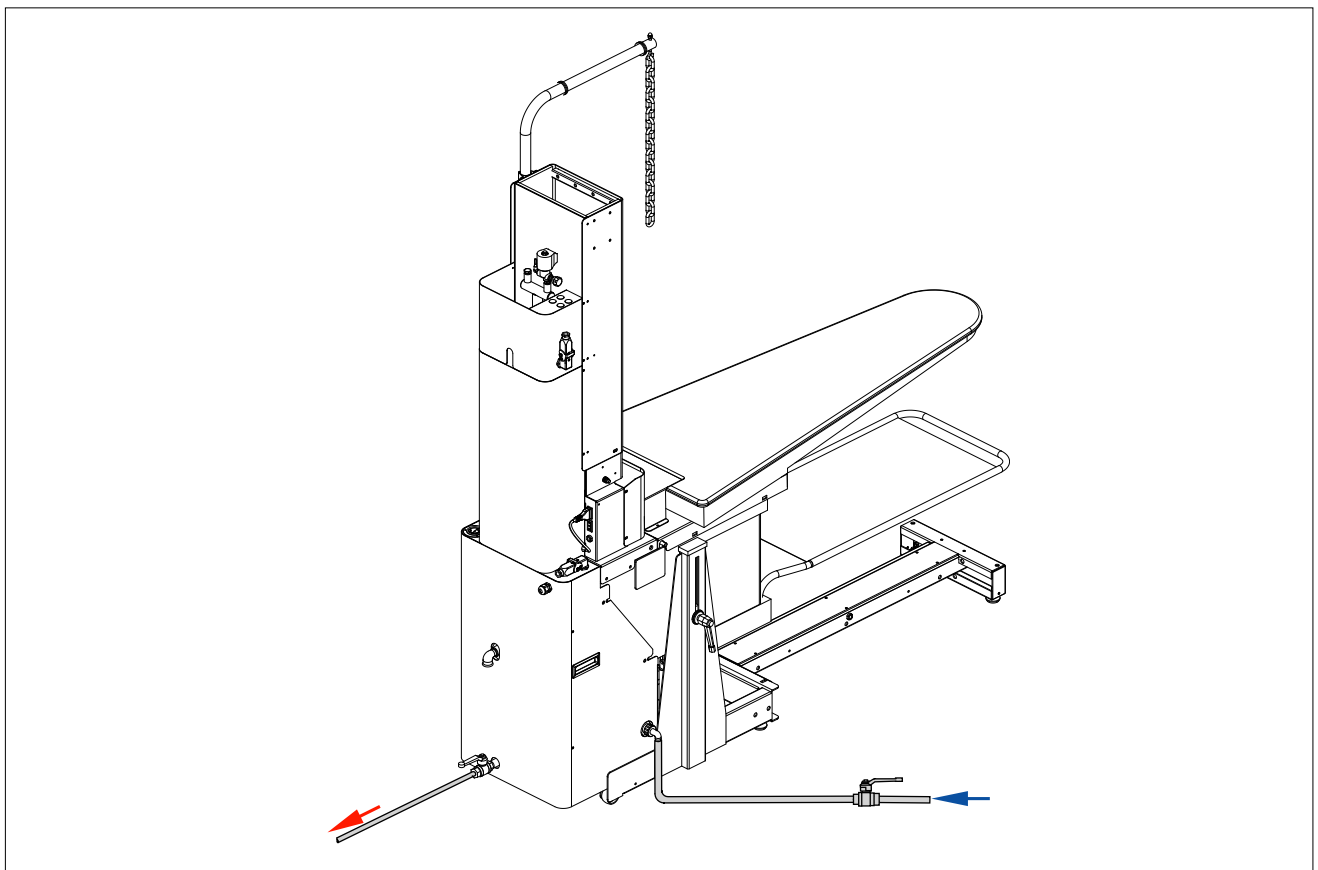


Figure 3.4 - Water connection



4. Use

This product is designed for:

- garment manufacturing industries;
- large and small Industrial dry cleaners;
- garment finishing industries.

The table must be utilized by qualified personnel, who have been specifically trained on this type of machinery.

4.1. Safety precautions



During operation the unit is under electrical tension:

- **Do not operate machinery with partially exposed or frayed wiring.**
- **Never permit water to come into contact with appliance: danger of electrical shock, short-circuiting and damage to appliance may result.**
- **Do not pour liquids on the surface of the table.**
- **Do not pour or spray liquids or steam on switches and electrical controls in general.**
- **Do not open the appliance cabinet.**



The unit has various parts that reach extremely high temperatures:

- **Do not leave the appliance unattended while it is on.**
- **Keep all flammable substances away from appliance, to avoid risk of fire.**
- **Do not open appliance body.**
- **Use the surface only if covered by its padding (the padding must be dry).**
- **Do not replace cover and padding while appliance is hot (wait at least 2 hours after turning it off). Always check the temperature of the form before proceeding to substitute covers.**

4.2. Adjustments

4.2.1. Adjusting the surface height

Refer to Figure 4.2

1. Loosen the handles on both sides of the cabinet.
2. Adjust the height of the surface.
3. Tighten the handles to block the height.

4.2.2. Position of the operator

The operator must stand up facing the side of the table, as shown in Figure 4.6.

The operator will stand with the point of the surface to the left or to the right, according to the setup of the table.

The operator activates suction and blowing functions by pressing and holding the pedals.

4.3. Usage

Refer to Figure 4.1 for parts numbers.

4.3.1. Before usage

1. Turn on the main switch (1).
2. Turn on the iron switch (4).
3. Turn on the lamp switch (5).
4. Open the water delivery valve.
5. Turn on the boiler switch (6). If the pressure vessel is empty, the pump will start to fill it with water. When the water reaches working level, green light (8) turns on.
6. Wait for the boiler to reach working pressure (5 bar). The pressure is shown by gauge (9);
7. If you want to iron with hot surface, turn on the surface heating switch (2).
8. Choose the position of the suction/blowing selector (3) that best fits your needs (see paragraph 4.3.4).
9. Position the swing arm(s) in rest position.

4.3.2. Finishing

Lay the garment on the table and use suction or blowing according to your needs.

- Suction is recommended to block flat items on the surface and to remove effectively residual humidity from the fabric. Leave suction on for some seconds after stopping the steam from the iron in order to remove all humidity.
- Blowing allows to iron on a cushion of air: it is therefore recommended for pressing multi-layer garments without marks or for non-flat parts (e.g. waist area of skirts and trousers)

When ironing with steam, always use suction or blowing in order to avoid condensate to build up inside the table.

Adjusting suction strength

Refer to Figure 4.3

Turn the handle on the side of the chimney to adjust suction strength.

Adjusting blowing strength

Refer to Figure 4.4

Slide the lid on the column under the ironing surface to adjust blowing strength:

- Loosen and slide the lid upwards to decrease blowing.
- Loosen and slide the lid downwards to increase blowing.

The support (13) can be used to store hangers prior to their usage or to hang a garment and steam it with the iron.



WARNING - If the red warning light (7) turns on during usage, turn off the appliance immediately and call service.



Do not leave a hot iron standing on the covers: the covers may get damaged. Always use the provided iron supports.



WARNING - During suction the steam from the iron is reflected from the surface: pay attention to the reflected steam to avoid scalding.

4.3.3. Use of the iron

Keep depressed the button on the handle to obtain steam.

Should droplets of water spray from the iron, increase the temperature of the iron by turning the temperature knob clockwise (only valid for built-in iron, if provided).

If the iron remains still for several minutes, the first jet of steam may contain droplets: do not use the first jet of steam directly on the garment to be finished.

To vary the quantity of steam from the iron, turn the knob on the steam valve. The steam valve is located behind the chimney, at the other end of the steam tube that departs from the iron.

- The iron must be used and rested on a stable surface;
- when placing the iron on its stand, ensure that the surface on which the stand is placed is stable;
- the iron is not to be used if it has been dropped, if there are visible signs of damage or if it is leaking.

4.3.4. Use of the pedal function selector

The selector (3) allows to swap the function of the two pedals (10)

Refer to figure 4.5

- **Selector in position I:** when the selector is in this position, press pedal 1 to obtain suction, press both pedals together to obtain blowing.
- **Selector in position 0:** when switching the selector from position I to position 0, any pedal works as suction pedal.
- **Selector in position II:** when switching the selector from position II to position 0, any pedal works as blowing pedal.
- **Selector in position II:** when the selector is in this position, press pedal 1 to obtain blowing, press both pedals together to obtain suction.

4.3.5. Use of the buck

Pull the swing arm (12) in working position: in this way suction and blowing are deviated to the buck.

4.3.6. Use of the optional steam gun

To steam, push the green button. The quantity of steam can be adjusted by means of the knob on the steam valve.

4.4. Upon terminating work

1. Turn off the main power switch (1- Figure 4.1); turn off all the switches of the console that are turned on.
2. Close the water delivery valve.
3. Leave the iron on its support (11), using a suitable heat-resistant. Do not leave the hot iron on the cover.

Figure 4.1 - Parts of the appliance

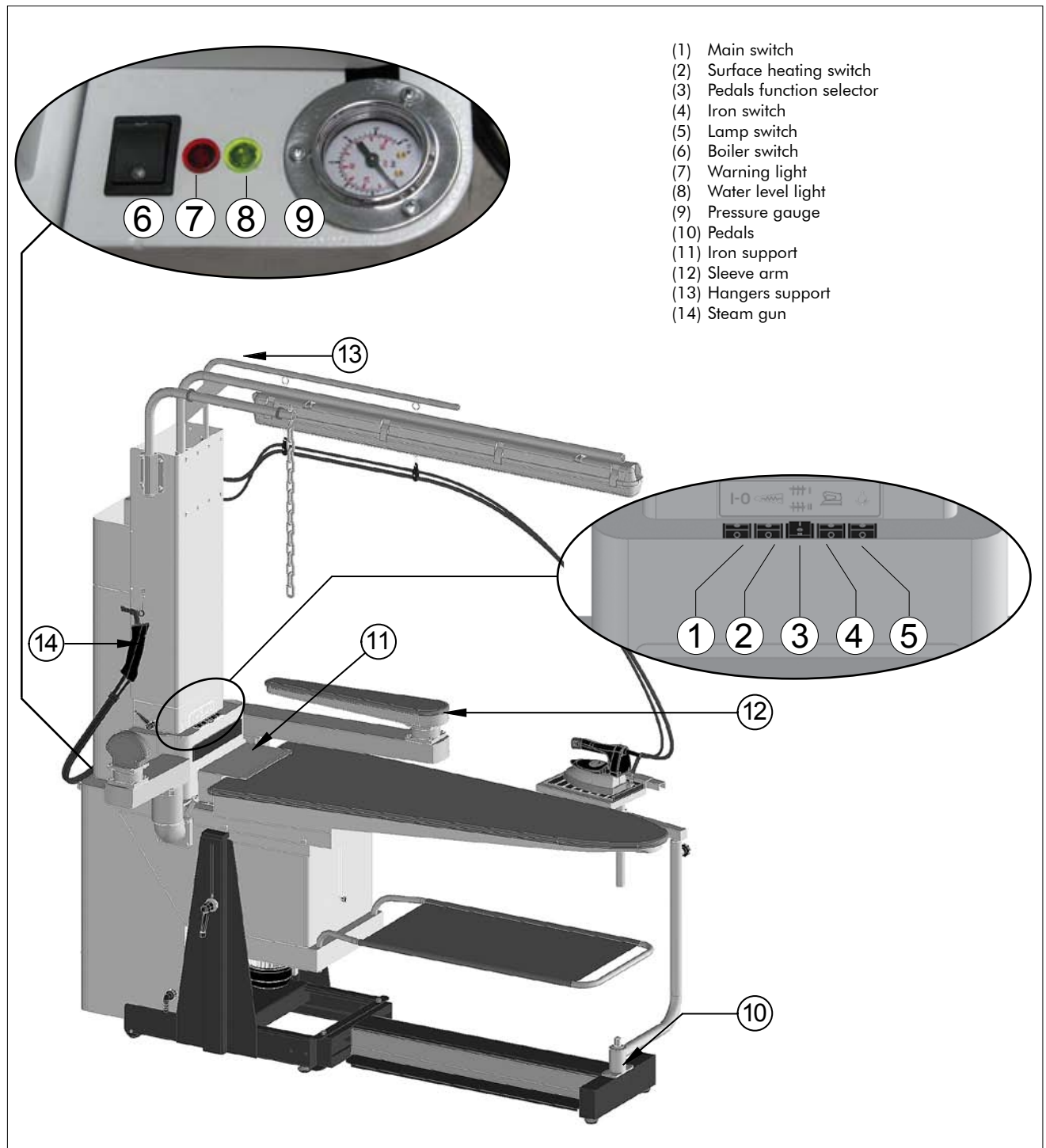


Figure 4.2 - Adjusting the surface height

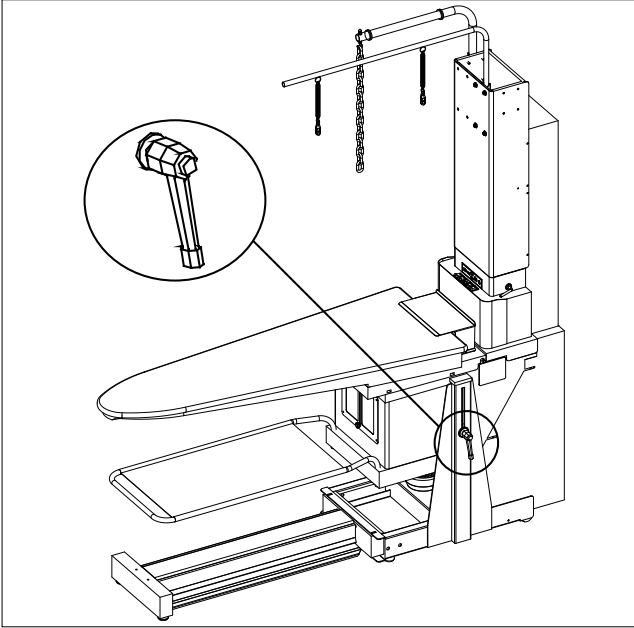


Figure 4.3 - Suction regulation

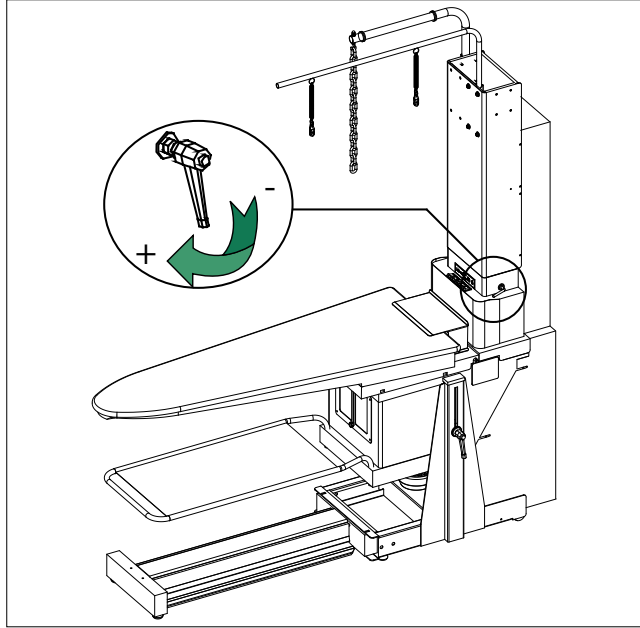


Figure 4.4 - Blowing regulation

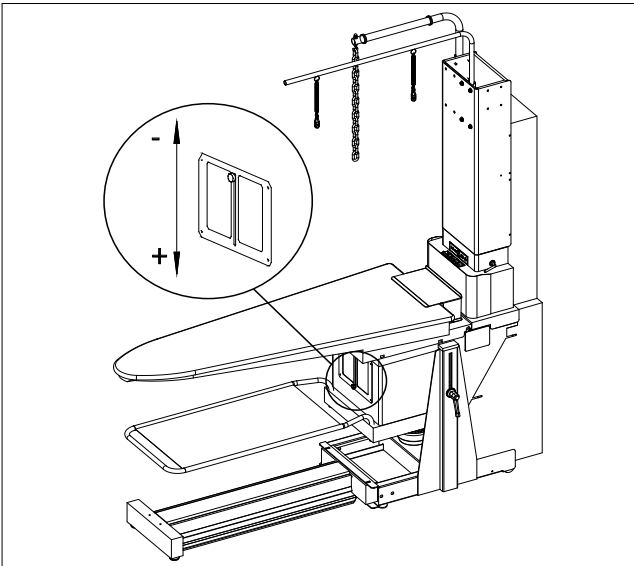


Figure 4.5 - Use of the pedals function selector

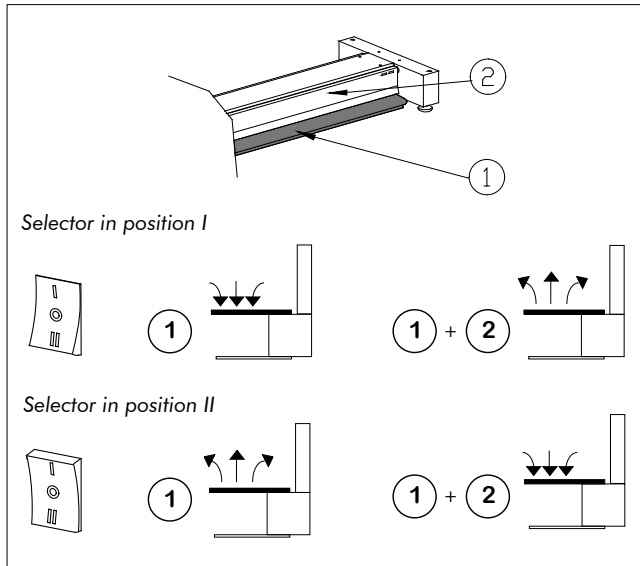


Figure 4.6 - Position of the operator



5. Maintenance

5.1. Maintenance allowed to the user

5.1.1. Every week

- Clean machine body with a soft non abrasive cloth.

⚠ WARNING: Do not use aggressive detergents or solvents that may ruin appliance parts

- Verify that visible electrical cabling are in perfect working order
- Verify that pads and covers are in good condition. If they show any sign of deterioration replace them immediately. Pressing quality may decrease dramatically if pads and covers are dirty or damaged.
- The covers can be washed at 40°C with a delicate cycle. Wait for the covers to be completely dry before dressing the table.
- Clean the water inlet filter
 - Refer to Figure 5.1
 - Close the connections to the water source.
 - Remove the elbow fitting (R).
 - Clean the fitting.
 - Remove the filter (S).
 - Carefully clean the filter.

⚠ WARNING: Do not run a appliance that does not look in proper order

⚠ INDICATION: always ask for original spare parts. Non original parts may damage to the appliance or decrease its safety

5.1.2. Boiler discharge procedure

The boiler discharge is a delicate procedure, that may be dangerous if carried out in improper way.

⚠ WARNING - Only properly trained operators can discharge the boiler.

If you have doubts about the boiler discharge procedure, ask the technician to explain it again.

If you feel that the connection of the boiler exhaust to the drainage is not in good order, do not discharge the boiler and call the technician.

Boiler discharge procedure:

1. Verify that the connection to the drainage system is firm and intact;
2. Wait for the pressure in the boiler to be under 1 bar;
3. Lift the metal frame and slowly open the boiler discharge valve;
4. When the discharge is finished, close the discharge valve and block it with the metal frame.

⚠ WARNING - The boiler discharge procedure is safe only if the following conditions are verified:

- the boiler discharge valve is safely and firmly connected to the permanent drainage system
- the pressure displayed by the gauge is lower than 1 bar

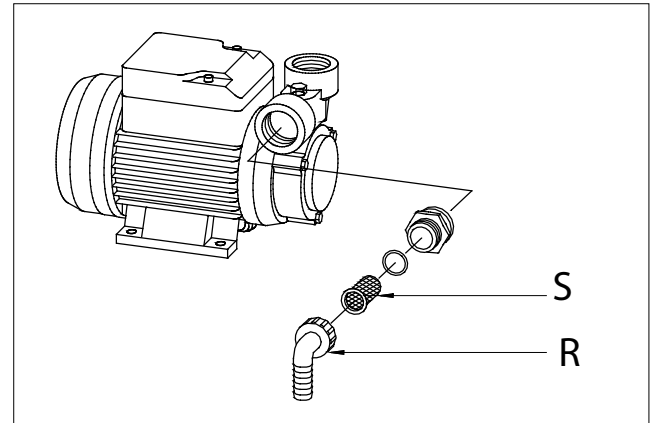
5.1.3. Every year

Call the authorised technician to perform the maintenance operations described in the following chapter.

5.2. Maintenance to be carried out by the technician every year

⚠ WARNING: The maintenance operations described in this chapter must only be carried out by qualified personnel.

Figure 5.1 - Filter clean



⚠ Use only Original spare parts

⚠ The pump is equipped with a thermal protection that is self-restoring. Never service the pump with the power connected: it may restart abruptly.

⚠ The blower is equipped with a self-restoring protection. Always disconnect power from the appliance before servicing the blower: it may restart abruptly.

5.2.1. General controls

- Verify state of cable and electrical components;
- Verify that electrical connections are properly tightened and do not show oxidation;
- Verify tightening of solenoid valve coils;
- Verify that the connection of the boiler discharge is in good working order;
- Verify that water connections are properly tightened and do not leak;
- Check that all steam connections inside the appliance are working and do not leak
- Check that fan blades are free of dirt and lint deposits
- Control state of cloth and padding covering ironing surface and if necessary replace
- Discharge the boiler

5.2.2. Cleaning the boiler



WARNING for the technician:

Before any kind of maintenance or control intervention:

- Disconnect the appliance from electricity
- Close the connection to the water line
- Make sure that all the parts of the appliance have cooled down

Open the boiler unit:

See figure 5.2.

- Remove the chimney cover;
- Unlock the nut that connects the steam tube to the boiler;
- Disconnect the electric connection shown in figure;
- Unlock the screws that hold the boiler group in place. Unscrew only screws (f) in the figure, do not unscrew other screws. Remove the boiler group by means of the side handles.

Clean the following components:

See figure 5.3.

1. Heating elements

- Unscrew the nuts that hold the flange in place
- Remove the flange with the elements
- Clean the heating elements and the pressure vessel from scale

2. Pressure switch

- Clean tube (A)
- Clean fitting (B)

3. Safety valve

- Remove the safety valve (C)
- Clean the hole from scale

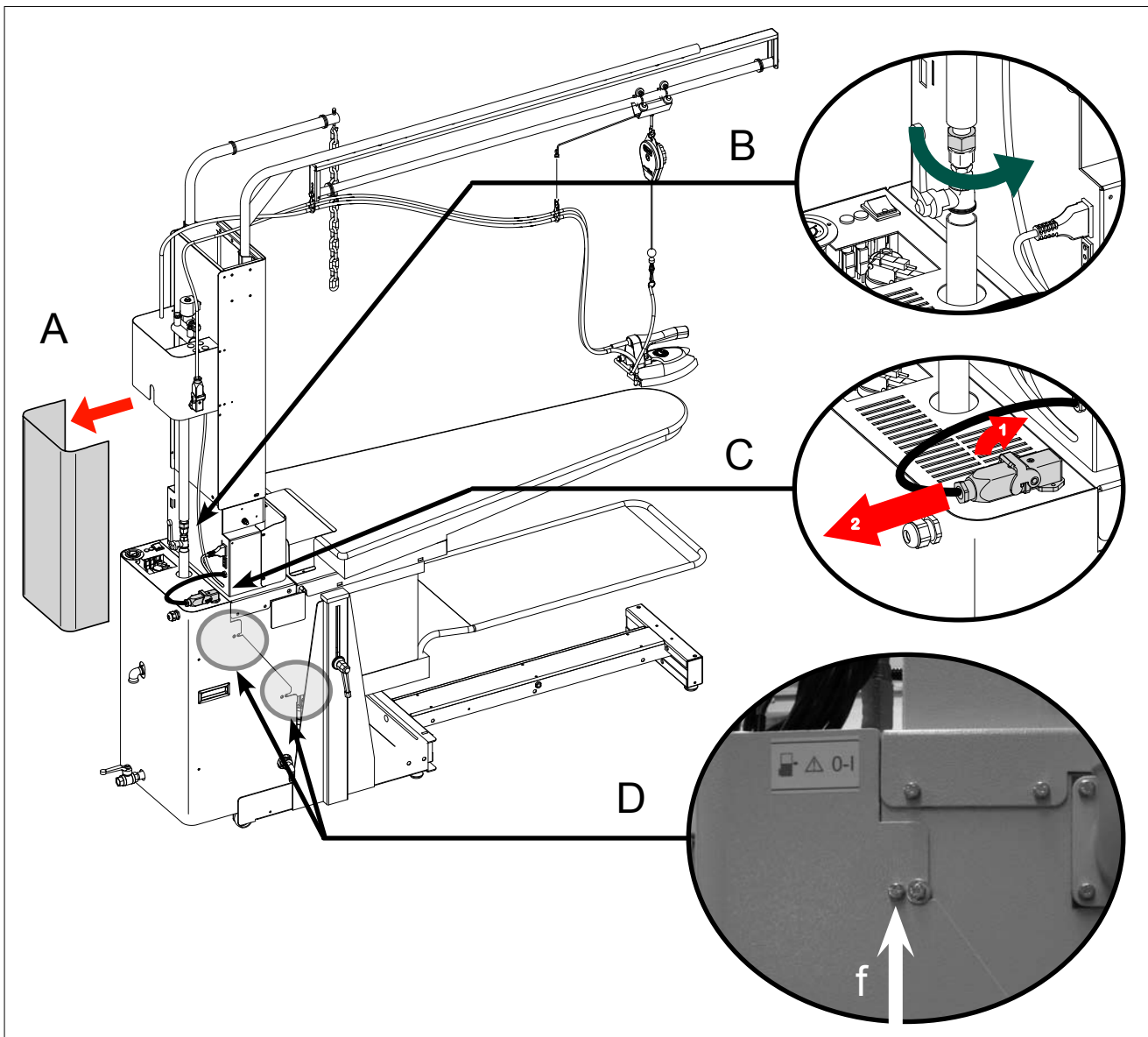


When handling the safety valve be very careful: do not alter its setting.

4. Level probes

- Unscrew the level probe (D) and the reference probe (E)
- Clean from scale

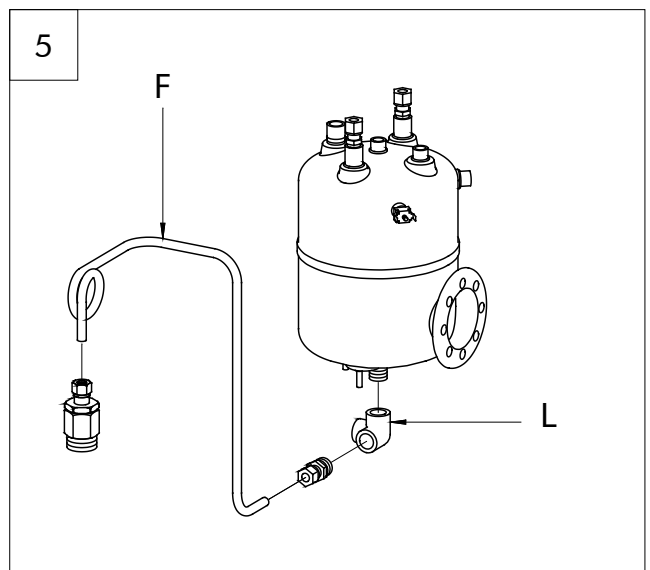
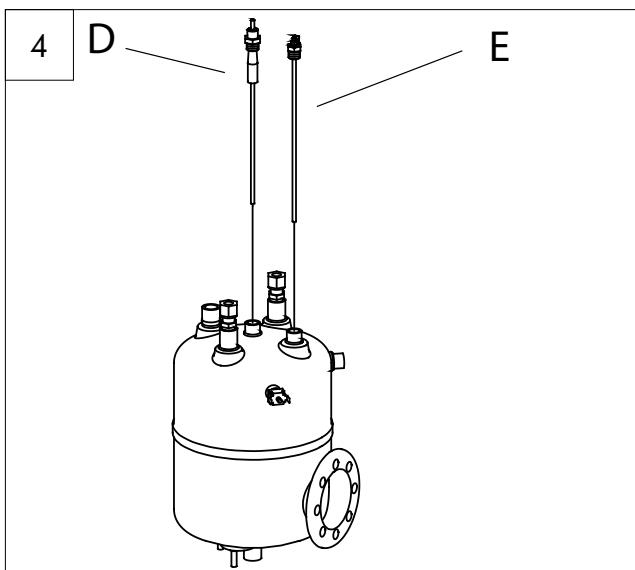
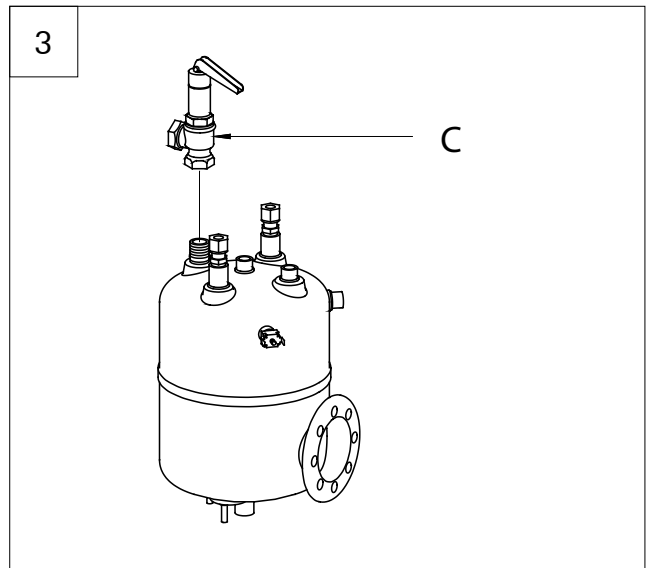
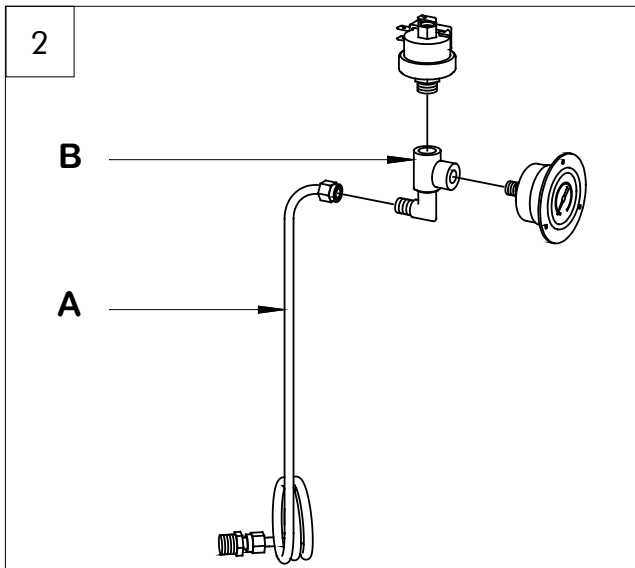
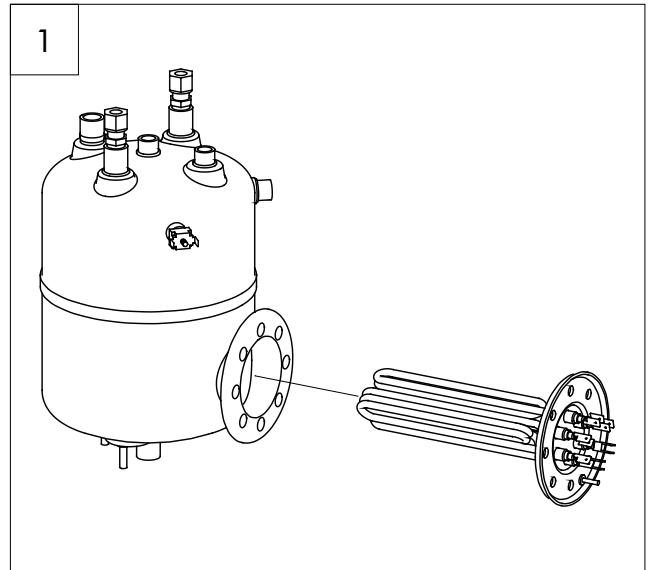
Figure 5.2 - How to open the boiler unit



5. Water inlet

- Remove the water inlet tube (F)
- Clean the tube
- Clean the fitting (L)

Figure 5.3 - Boiler maintenance (for the technicians' use)



6. Troubleshooting

6.1. Solution to common problems, allowed to the user

Refer to Table 6.1 for solutions to the most common malfunction situations.


 **WARNING - DO NOT SERVICE THE APPLIANCE WITHOUT PROPER ADVICE - Call the service center if the appliance has a problem that is not listed in Table 6.1 or if none of the remedies proposed by Table 6.1 work**

Table 6.1 - Troubleshooting common problems (user)

Problem	Possible cause	What the user should do
Pushing the pedal, the suction motor does not start	The appliance is off	Turn on the main switch
The table does not get warm	The heating element is off	Turn on the heating element switch
Water builds up into the table and the cover gets soaked with water	The operator is not using suction/blowing	Always use suction/blowing when ironing with a steam iron
The iron does not heat	Iron switch is turned off	Turn on the iron
	The iron thermostat is off	Turn the thermostat knob and select an ironing temperature
The iron leaks water	The iron is set on a low temperature	Adjust the thermostat on the iron to a higher temperature
Suction and/or blowing are insufficient	The covers are dirty or damaged	Either wash (40°C, delicate cycle) or replace with new covers
	Suction/blowing is adjusted to the minimum	Change the adjustment of suction or blowing, as described in chapter 4 (Usage)
	The sleeve arm is in working position	Push the arm in rest position, so that the pin that deviates the air flow to the arm is not engaged
Blowing is insufficient	Air grids are dirty	Clean the grids with a cloth or a brush
Pressing on either pedal results in the same function (both suction or both blowing)	The selector of pedals functions is in 0 position	Move the selectore to I or to II
The lamp (optional feature) does not turn on	The plug has been disconnected	Connect the power cord to the plug on side of the appliance
	The fluorescent tube has failed	Replace the tube with a new one having identical specifications
A whistling sound is heard when suction is activated	The cover is misplaced	Check that the cover is in place
The pressure does not build inside the boiler	The boiler is off	Turn on the boiler by means of switch 4 in Figure 4.1
The pump is working but no water gets into the vessel	There is no water / the water delivery valve is closed	Turn off the appliance Make sure that the water is reaching the appliance When the problem is removed, turn on the appliance
	The filter is dirty	Clean the filter
	The water inlet system is dirty	It is time to call the technician for periodic maintenance
Too much water into the boiler	The level probe of the boiler is dirty	It is time to call the technician for periodic maintenance
The boiler is turned on but it does not work	The appliance has blocked because water is not reaching in it	Check that the water delivery valve(s) are open Check that the valves between the tank and the boiler are open Check that there is water into the line When the cause has been removed, turn off and then on again the unit to remove the protection

6.2. Solution to failures, for the use of the authorised service center



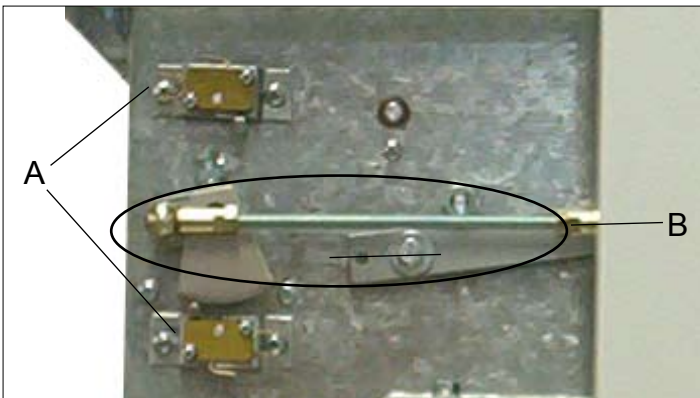
WARNING - This chapter is for the exclusive use of an authorised technician. For maintenance and replacement of components always refer to a service center.

Table 6.2 - Solution to failures

Symptom		Components likely to be involved	Possible cause	Controls to be carried out
No swap from suction to blowing	The same problem occurs if the pedals function selector is in position I or II	Ratiomotor	The ratiomotor mechanism (B - Figure 6.3) has lost its alignment	Inspect the mechanism and adjust the transmission rod
			A microswitch (A - Figure 6.3) of the ratiomotor mechanism has failed	Replace the microswitch
			Ratiomotor brake worn out	Replace the brake
			Ratiomotor coil failed	Replace the ratiomotor
	The problem only occurs when the selector is in position I	Upper pedal	The pedal has been distorted and does not push the microswitch properly	Lift the pedal and manually push the switch to check whether it works
			Electrical connections from pedal microswitch to ratiomotor	Check the connections from the microswitch to the motor, in particular the plug of the pedals set
			Pedal microswitch has failed	Replace the microswitch
		Lower pedal	The pedal has been distorted and does not push the microswitch properly	Lift the pedal and manually push the switch to check whether it works
			Electrical connections from pedal microswitch to ratiomotor	Check the connections from the microswitch to the motor, in particular the plug of the pedals set
			Pedal microswitch has failed	Replace the microswitch
The motor does not start	Lower pedal	The pedal has been distorted and does not push the microswitch properly	Lift the pedal and manually push the switch to check whether it works Check that the pedal is parallel to the floor and that it just touches the floor when it is pushed	
		Electrical connections from pedal microswitch to motor	Check the connections from the microswitch to the motor, in particular the plug of the pedals set	
		Pedal microswitch has failed	Replace the microswitch	
	Motor	The thermal protection of the motor has tripped	Find and remove the causes that made the protection trip	
		The motor has failed	Replace the motor	
Water is drawn from the boiler	High water level	The level probe is covered in scale	Clean the probes	
The pump works, water gets into the vessel but and overflows before the pump stops	The level control board does not receive the signal that the level has been reached	The electric circuit between board and probes is faulty	Check connections and wires	
		The control board has failed	Replace the board	
The pump works but water does not reach the boiler. After 4 minutes the unit turns into protection mode	There is no water or the water flow is too low	Problems of the water line (no service, closed valves, interruptions or leaks, ...)	Verify that water reaches the unit in proper quantity.	
		Filters or connections are dirty	Clean water intake connections and filters as per instructions in chapter 5	
		The pump solenoid valve has failed	Replace the solenoid valve	
The pump is always on, the heating elements are on	The pump does not receive the signal to stop	The level control board of the boiler has failed	Replace the board	
The pump does not work	The pump does not receive the signal to start	Electric circuit between control board and pump is interrupted	Check connections and wires	
		The level control board of the boiler has failed	Replace the board	
	The pump has failed	Replace the pump		

There is water in the boiler but heating elements do not turn on	The heating elements do not receive the signal to heat	Pressure switch or relative circuit have failed	Check the circuit and/or replace the pressure switch
		Safety thermostat or relative circuit have failed	Check the circuit and/or replace the safety thermostat
		The level control board of the boiler has failed	Replace the board
		The coil of the contactor has failed	Replace the contactor
		The circuit that drives the heating elements has failed	Check the electric connections of the contactor coils
	No electricity to the heating elements	The electric circuit that carries electricity to the heating elements is interrupted	Check that the fuses are intact
		Faulty element	Replace the element
		Faulty contactor	Replace the contactor

Figure 6.3 - Ratiomotor mechanism



7. Appliance stop

7.1. Prolonged stop

In case of prolonged stop of the appliance:

1. Disconnect from electrical power
2. Disconnect the water delivery valve
3. Clean the cabinet and the grids from dust and lint
4. Protect the table so that the covers do not get dirty

7.2. Transportation

In case the appliance must be moved, follow the instructions below.

1. Disconnect from electrical power
2. Disconnect from external lines
3. Clean the cabinet and the grids from dust and lint
4. Move the appliance to a crate of suitable size
5. Screw the appliance to the crate, using suitable brackets (Figure 7.1) or straps
6. Protect the table so that the covers do not get dirty
7. Wrap the appliance in cellophane or bubble plastic
8. If necessary, cover the whole appliance with a cardboard box and tighten it to the crate

7.3. Decommissioning

At the end of its life the appliance must be properly dismantled and its parts must be disposed of according to local regulations.

1. Disconnect from electrical power
2. Disconnect from external lines
3. Move the appliance to a crate of suitable size
4. Screw the appliance to the crate, using suitable brackets (Figure 7.1) or straps
5. Give the appliance to a specialized recycling center for proper separation and recycling of all materials (painted steel, stainless steel, copper, plastic, fiberglass, cloth)

Figure 7.1. - How to screw the appliance to the crate



Figure 7.2. - How to pack the appliance for transportation



Disposal of Waste Electric and Electronic Equipment (WEEE) in the European Union

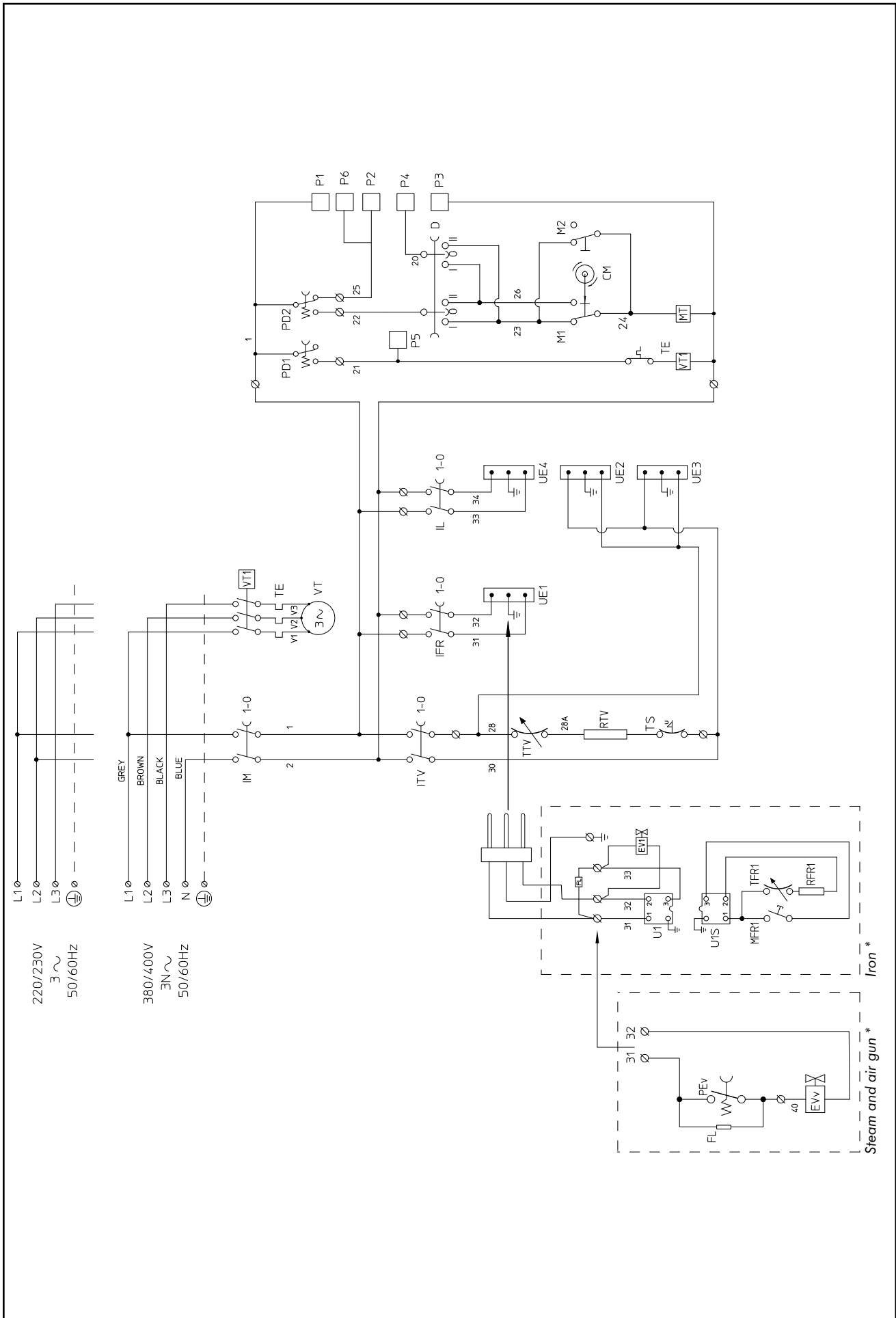
This symbol on the product or on its packaging indicates that this product is subject to separate collection and recycling. It is your responsibility to dispose of your waste equipment by handing it over to a designated collection point for the recycling of waste electrical and electronic equipment. The separate collection and recycling of your waste equipment at the time of disposal will help to conserve natural resources and ensure that it is recycled in a manner that protects human health and the environment. For more information about where you can drop off your waste equipment for recycling, please contact the dealer where you purchased the product.

8. Technical diagrams

The diagrams in this chapter are for the exclusive use of the authorized assistance center.



Do not perform maintenance on the appliance if not authorized in writing by the Manufacturing Company.

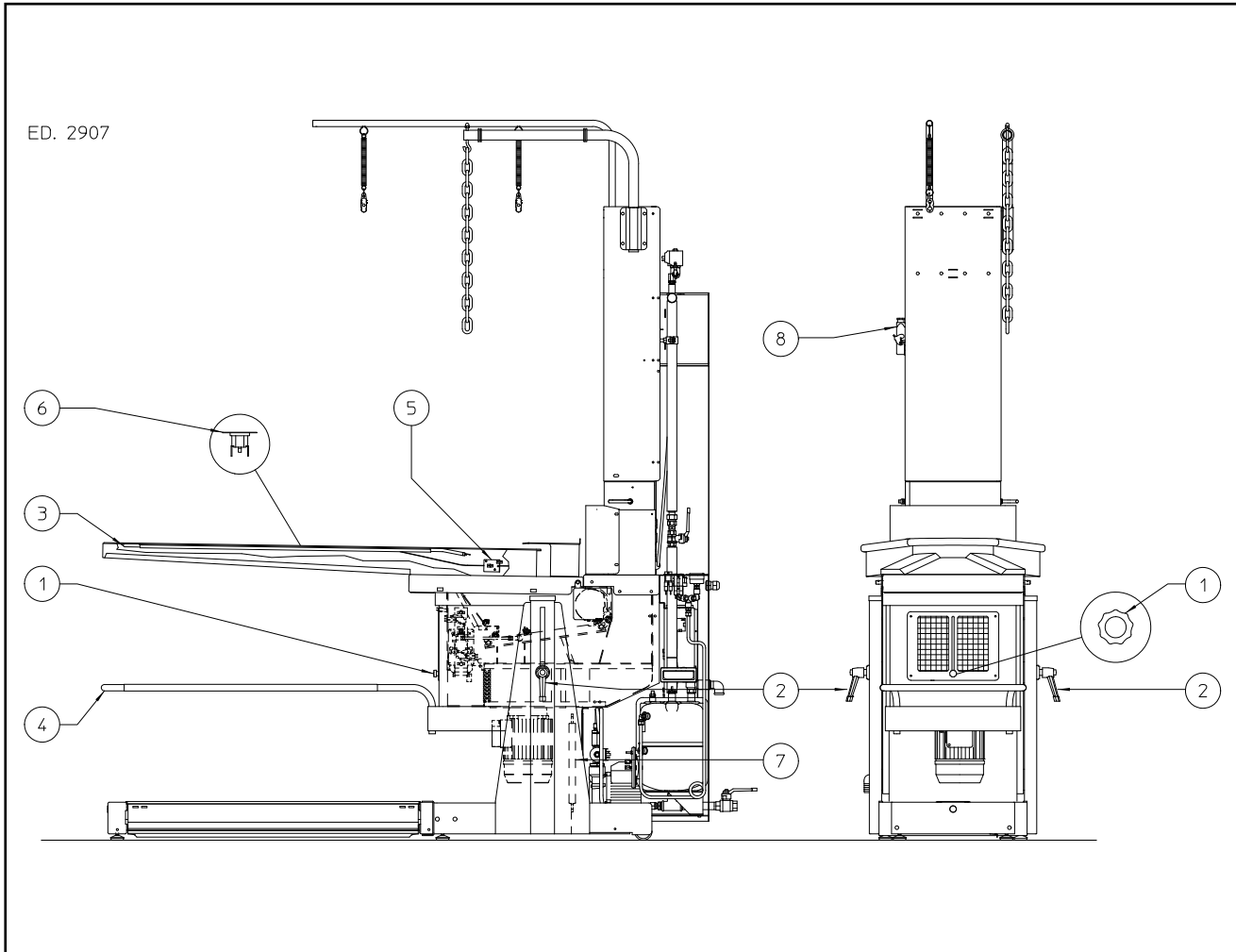


CM	CAMME MOTORIDUTTORE	MOTOR-REDUCER CAMME	CAMME MOTOREDUKTOR	CAMME MOTOREDUCTEUR	LEVA MOTORREDUCTOR
D	DEVIATORE SCAMBIO ASPIR./SOFF.	PEDALS FUNCTION SELECTOR	UMSCHALTER ABSAUGERS/ BLASEN	DEVIATEUR ASPIRATION/ SOUFFLAGE	DESVIADOR ASPIRAC./SOPLAD.
IM	INTERRUTTORE GENERALE	MAIN SWITCH	HAUPTSCHALTER	INTERRUPTEUR GENERAL	INTERRUPTOR GENERAL
IL	INTERRUTTORE LAMPADA	LAMP SWITCH	LAMPSCHALTER	INTERRUPTEUR LAMPE	INTERRUPTOR LAMPARA
ITV	INTERRUTTORE RESIST. TAVOLO	TABLE HEATING ELEMENT SWITCH	SCHALTER FÜR TISCH HEIZWIEDERSTAND	INTERRUPTEUR RESISTANCE TABLE	INTERRUPTOR RESISTENCIA MESA
M1, M2	MICRO ASPIRAZIONE E SOFFIAGGIO	SUCTION AND BLOWING MICROS	ABSAUGUNG/BLASEN MIKRO	MICRO ASPIRATION/SOUFFLAGE	MICRO ASPIR./SOPLAD.
MT	MOTORIDUTTORE	MOTOR REDUCER	MOTOREDUKTOR	MOTOREDUCTEUR	MOTORREDUCTOR
PD1	PEDA ASPIRAZIONE	SUCTION PEDAL	ABAUUNGSPEDAL	PÉDALE ASPIRATION	PEDAL ASPIRACIÓN
PD2	PEDALE SOFFIAGGIO	BLOWING PEDAL	GEBLASESPEDAL	PÉDALE SOUFFLAGE	PEDALSOPLODO
RTV	RESISTENZE TAVOLO	TABLE HEATING ELEMENT	TISCH HEIZWIEDERSTAND	RESISTANCE TABLE	RESISTENCIA MESA
TE	PROTEZIONE TERMICA VT	THERMAL PROTECTION VT	WÄRMESCHUTZ VT	PROTECTION THERMIQUE VT	PROTECCIÓN TÉRMICA VT
TTV	TERMOSTATO TAVOLO	TABLE THERMOSTAT	TISCHESTHERMOSTAT	THERMOSTAT TABLE	TERMOSTATO MESA
UE1	PRESA COLLEGAMENTO FERRO E PISTOLA	SOCKETS FOR IRON AND GUN	STECKDOSE DER BÜGELEISEN UND PISTOLE	PRISE FER ET PISTOLET	TOMA CONEXIÓN PLANCHA Y PISTOLA
UE2, UE3	PRESA COLLEGAMENTO BRACCI	SOCKETS FOR BUCKS	STECKDOSEN	PRISES	TOMAS DE CONEXIÓN
UE4	PRESA COLLEGAMENTO LAMPADA	SOCKET FOR LAMP	STECKDOSE DER LAMPE	PRISE LAMPE	TOMA CONEXIÓN LAMPARA
VT	VENTILATORE	BLOWER	VENTILATOR	VENTILATEUR	VENTILADOR
VT1	CONTATTORE VENTILATORE	BLOWER CONTACTOR	SCHUTZ VENTILATOR	CONTACTEUR VENTILATEUR	CONTACTOR VENTILADOR
EV1	ELETTROVALVOLA VAPORE FERRO	IRON STEAM VALVE	ELEKTRISCHEDAMPFVENTIL BÜGELEISEN	ELECTROVANNE VAPEUR FER	ELECTROVALVULA VAPOR PLANCHA
IFR	INTERRUTTORE ACCENSIONE FERRO	IRON ON/OFF SWITCH	BÜGELEISEN SCHALTER	INTERRUPTEUR FER	INTERRUPTOR PLANCHA
MFR1	MICRO FERRO	IRON MICRO SWITCH	MIKROBÜGELEISEN	MICRO FER	MICRO PLANCHA
RFR1	RESISTENZA FERRO	IRON HEATING ELEMENT	BÜGELEISEN HEIZWIEDERSTAND	RESISTANCE FER	RESISTENCIA PLANCHA
TFR1	TERMOSTATO FERRO	IRON THERMOSTAT	BÜGELEISEN THERMOSTAT	THERMOSTA FER	TERMOSTATO PLANCHA
U1	PRESA ILME FERRO	IRON SOCKET	BÜGELEISEN STECKDOSE	PRISE FER	TOMA PLANCHA
U1S	SPINA ILME FERRO	IRON PLUG	BÜGELEISEN STECKER	FICHE FER	ENCHUFE PLANCHA
EW	ELETTROVALVOLA VAPORE	STEAM VALVE	ELEKTRISCHE-DAMPFVENTIL	ELECTROVANNE VAPEUR	ELECTROVALVULA VAPOR
FL	FILTRO	FILTER	FILTER	FILTRE	FILTRO
PEV	PULSANTE VAPORE	STEAM BUTTON	DAMPF KNOFF	POUSSOIR VAPEUR	BOTON VAPOR
TS	TERMOSTATO DI SICUREZZA	SAFETY THERMOSTAT	SICHERTHERMOSTAT	THERMOSTAT DE SECURITE	TERMOSTATO DE SEGURIDAD
P1-2-3	ATTACCHI SCHEDA RITARDO	TRANSITION CONTROL BOARD ATTACHMENTS	VERBINDUNG FÜR PLATINE FÜR DEN ALLMAHLICH ÜBERGANG	CONNECTION CARTE DE TEMPORIZATION	CONEXIÓN TARJETA DE TRANSICIÓN DULCE
P4-5-6	ATTACCHI SCHEDA RITARDO	TRANSITION CONTROL BOARD ATTACHMENTS	VERBINDUNG FÜR PLATINE FÜR DEN ALLMAHLICH ÜBERGANG	CONNECTION CARTE DE TEMPORIZATION	CONEXIÓN TARJETA DE TRANSICIÓN DULCE
Part.	Descrizione	Description	Beschreibung	Designation	Description
	F4TWC1	ELECTRIC DIAGRAM - SCHEMA ELETTRICO			ed.2507

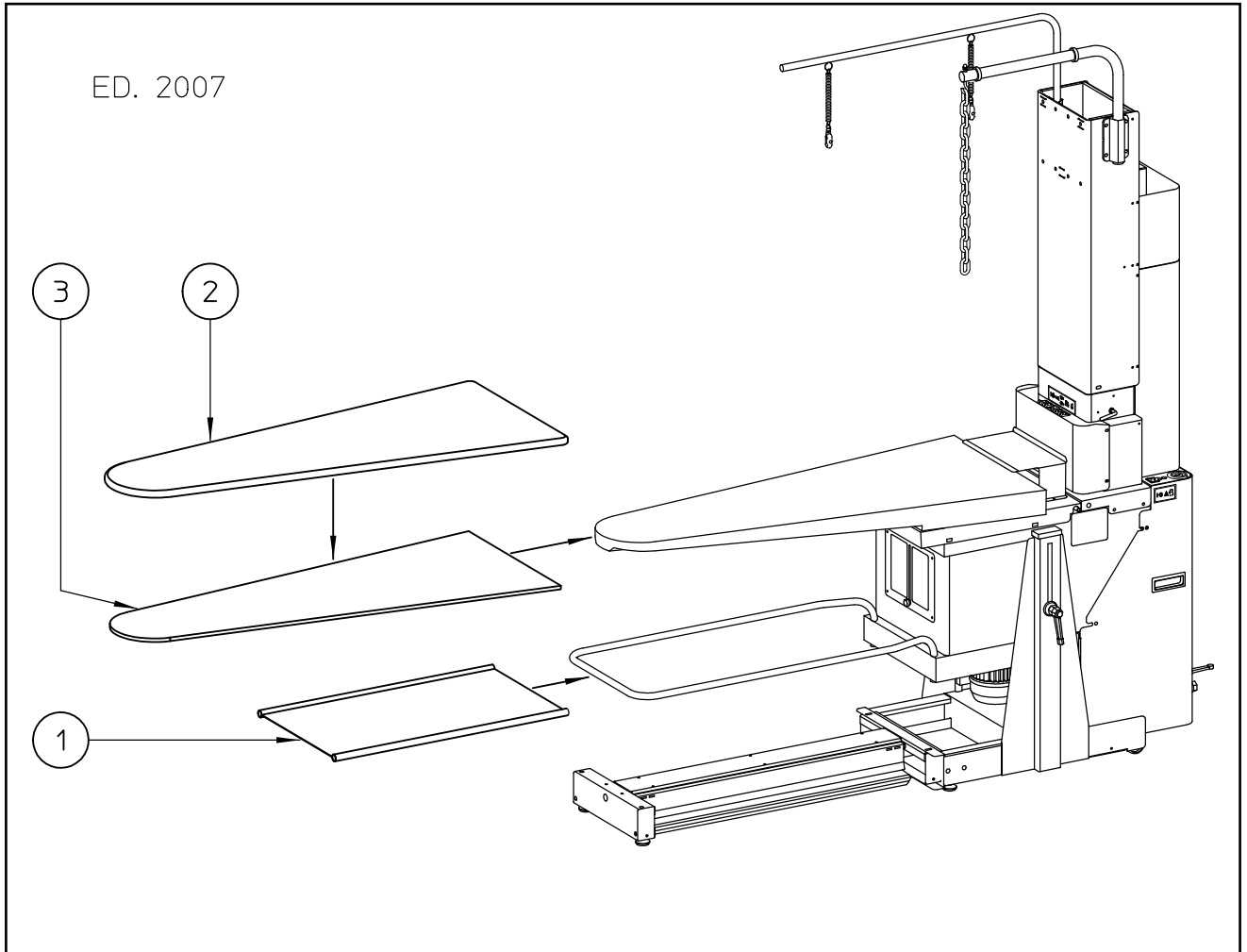
9. Spare parts diagrams

Please refer to the following diagrams when ordering spare parts.
To avoid mistakes, always provide code and description of the required spare part.

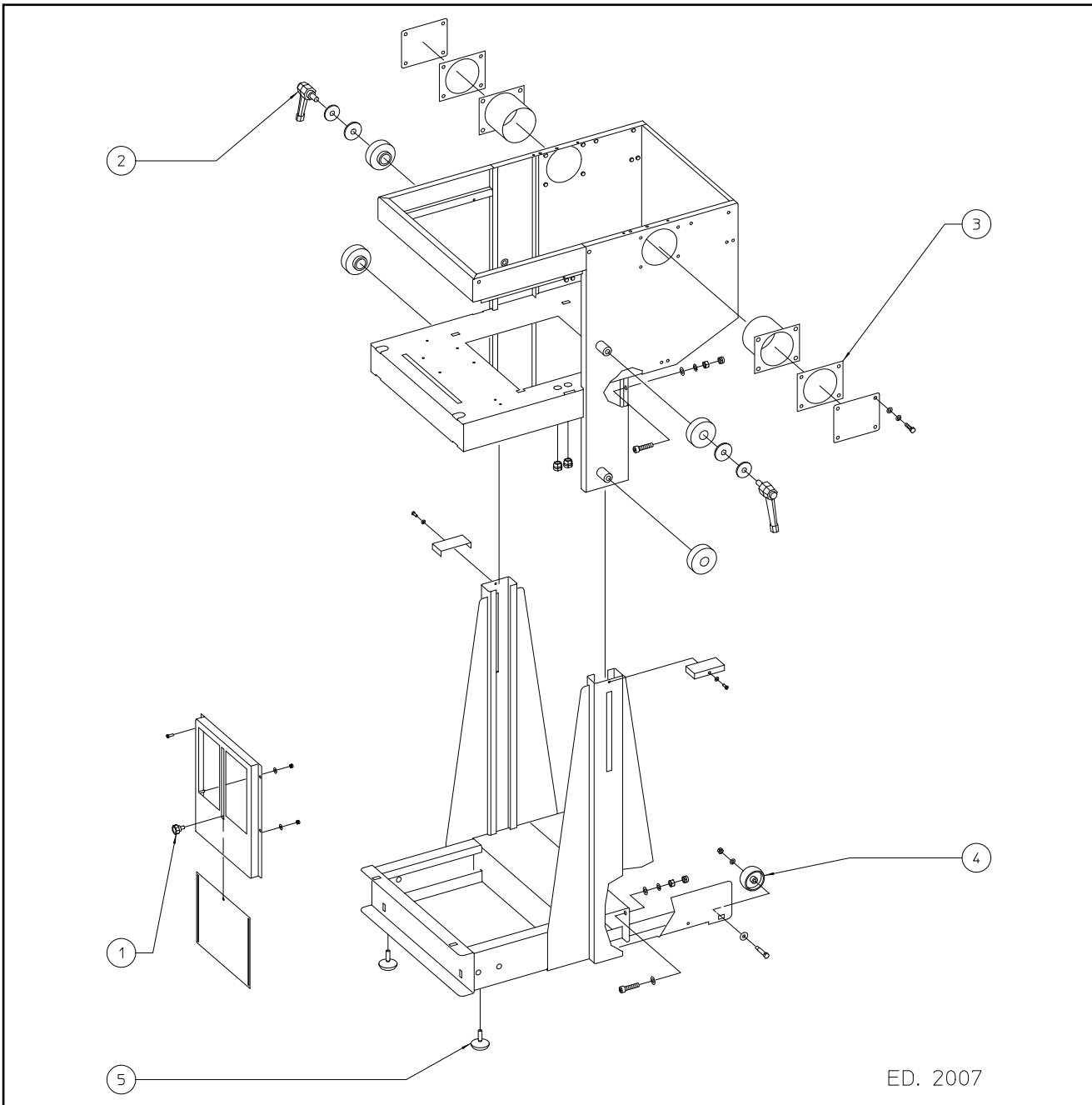
 **Always use original spare parts.**



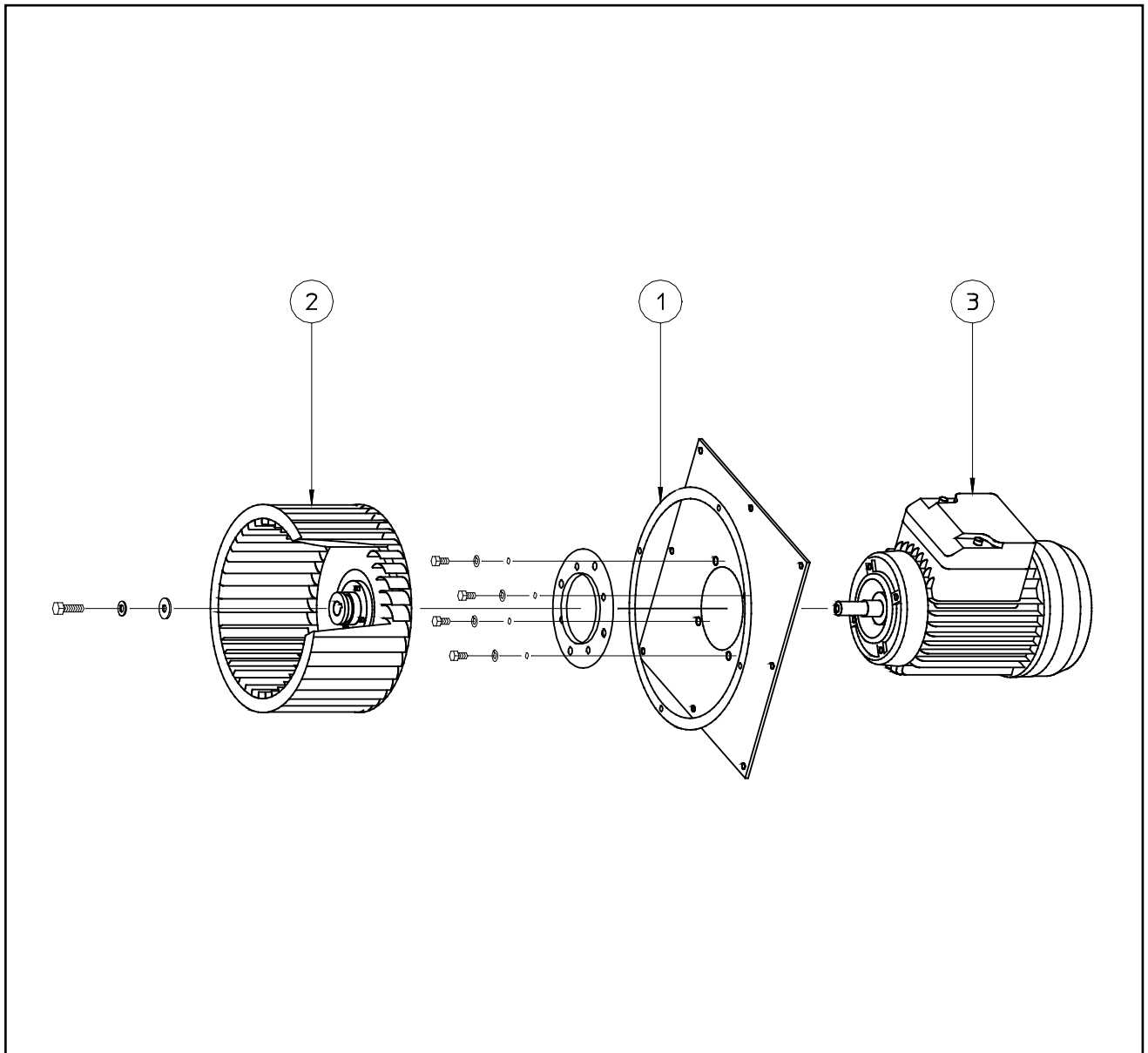
8	S0161013	1	SPINA ILME	PLUG ILME	STECKER ILME	FICHE ILME	ENCHUFE ILME
7	C60	2	MOLLE A GAS	SPRING	GASFEDER	RESSORT A GAZ	MUELLE A GAS
6	B6851001	1	TERMOSTATO	THERMOSTAT	THERMOSTAT	THERMOSTAT	TERMÓSTATO
5	B505100301	1	TERMOSTATO TAVOLO	SURFACE THERMOSTAT	THERMOSTAT	THERMOSTAT	TERMÓSTATO MESA
4	21811043	1	TELAIO REGGINDUM.	GARMENT TRAY FRAME	KLEIDERSHALTER	SUPPORT VETEMENTS	BASTIDOR PORTAROPA
3	0230126	1	RESISTENZA 400W 230V	HEATING 400W 230V	HEIZSTAB 400W 230V	RESISTANCE 400W 230V	RESIST. 400W 230V
	0230125	1	RESISTENZA 400W 120V	HEATING 400W 120V	HEIZSTAB 400W 120V	RESISTANCE 400W 120V	RESIST. 400W 120V
2	0180403	2	MANIGLIA M10x20	HANDLE M10x20	GRIF M10x20	POIGNEE M10x20	MANIJA M10x20
1	0180205	1	MANOPOLA M6x10	KNOB M6x10	GRIF M6x10	POIGNEE M6x10	EMPUÑADURA M6x10
Pos	Part Code	Q.ty	Denominazione	Description	Beschreibung	Designation	Descripción
250x			GENERAL VIEW - VISTA				ed2905



3	T100011	1	IMBOTTITURA POLIETERE	POYETHER FOMA	POLSTERUNG	MOLLETON	MULLIDO
2	T002031	1	PRONTO TOP POLIETERE	POLYETHER PAD+COVER	VERKLEIDUNG	PRONTO TOP	MULLIDO+TELA COB.
1	25191002	1	TELA SOTTOTAVOLO	GARM. TRAY COVER	BEZUG	HOUSSE SUP VETEM.	TELA
Pos.	Part. Code	Q.ty	Denominazione	Description	Beschreibung	Designation	Descripción
2403900		COVERS SET GRUPPO CONFEZIONE					ed2007

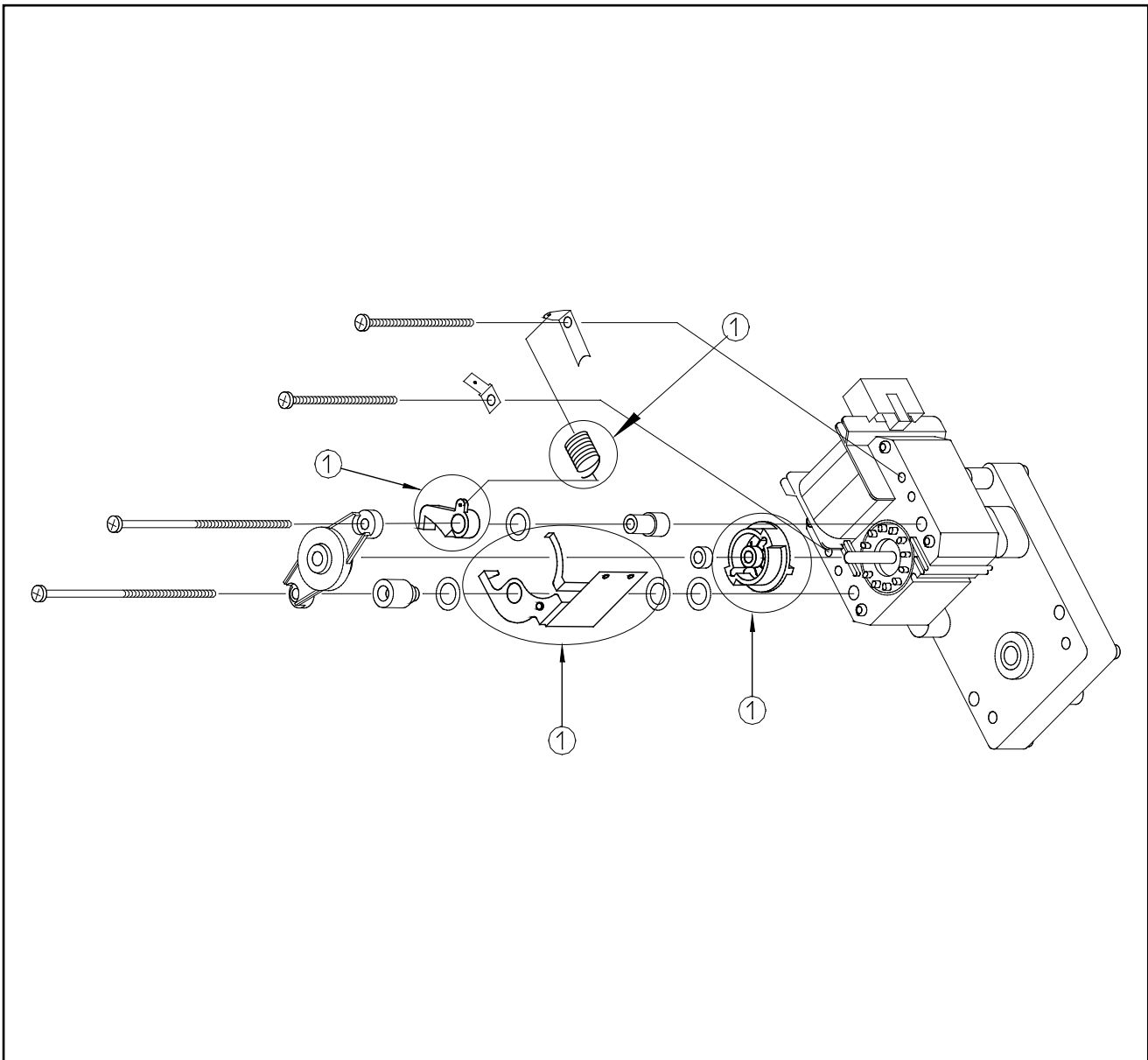


5	20819002	2	PIEDINO	FOOT	FUß	PIED POUR TABLE	PIE DE LA PLANCHA	
4	203004	2	RUOTA	WHEEL	RÄDER	ROUE	RUEDA	
3	0250506	2	GUARNIZIONE CURVA	GASKET	DICHTUNG	JOINT	EMPAQUETADURA	
2	0180403	2	MANIGLIA	HANDLE	GRIFF	POIGNEE	MANIJA	
1	0180205	1	MANOPOLA	KNOB	DREHGRIF	POIGNÉE	PUÑO	
Pos.	Part. Code	Q.ty	Denominazione	Description	Beschreibung	Designation	Descripción	
2471A01		CABINET GROUP GRUPPO CARROZZERIA					ed2007	

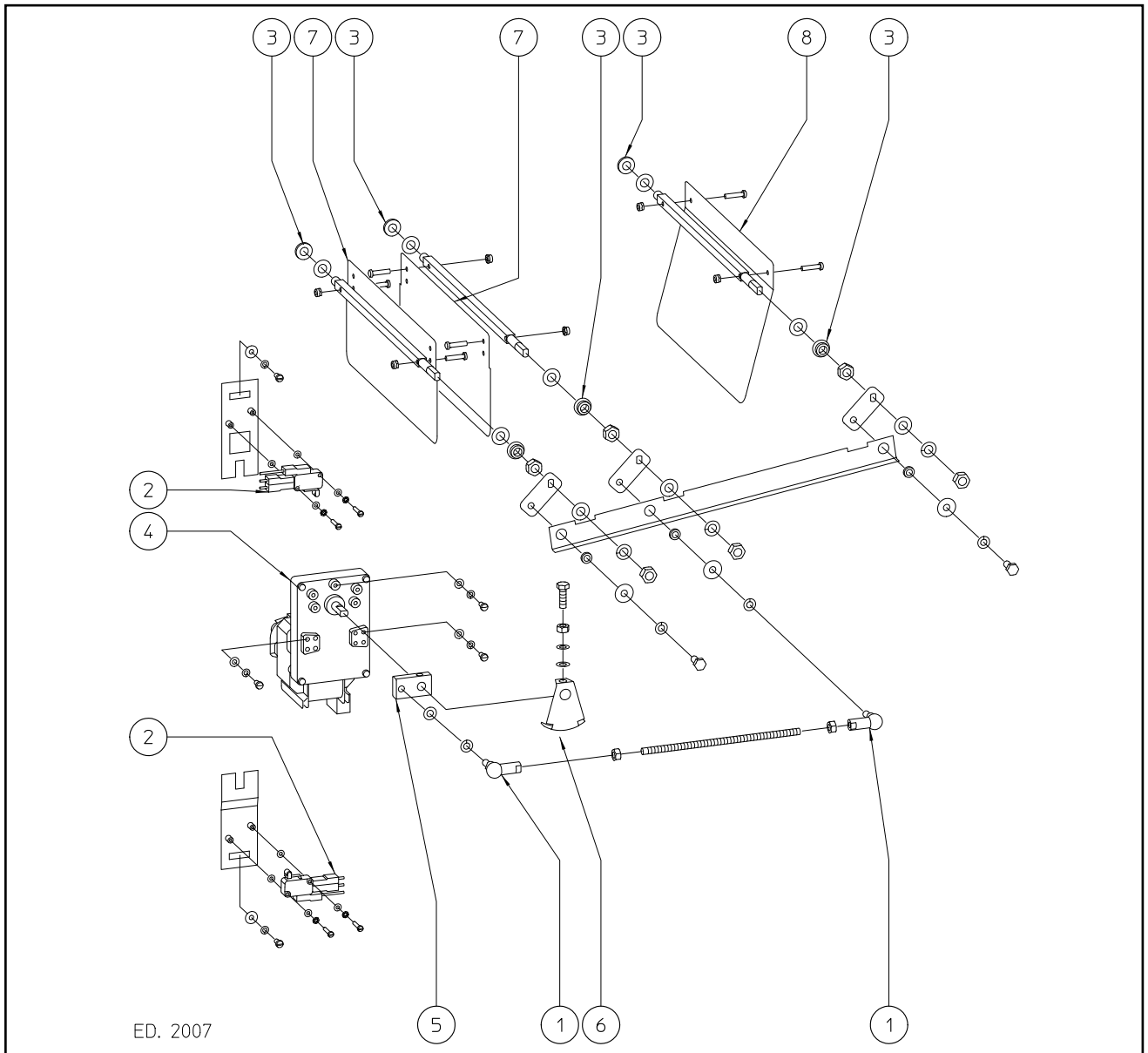


3	A1938502	1	MOTORE	SUCTION MOTOR	MOTOR	MOTEUR	MOTOR
2	A0522506	1	VENTOLA Ø180mm	FAN Ø 180mm	GEBLÄSE Ø 180mm	ROTOR VENTIL. Ø 180mm	ROTOR Ø 180mm
1	0250507	1	GUARNIZIONE	GASKET	DICHTUNG	JOINT	EMPAQUETAD.
Pos.	Part Code	Q.ty	Denominazione	Description	Beschreibung	Designation	Descripción
A28385			3 PHASE MOTOR - GRUPPO MOTORE TRIFASE 400V 50Hz				ed2202
Part of:		Planoflex 257x					

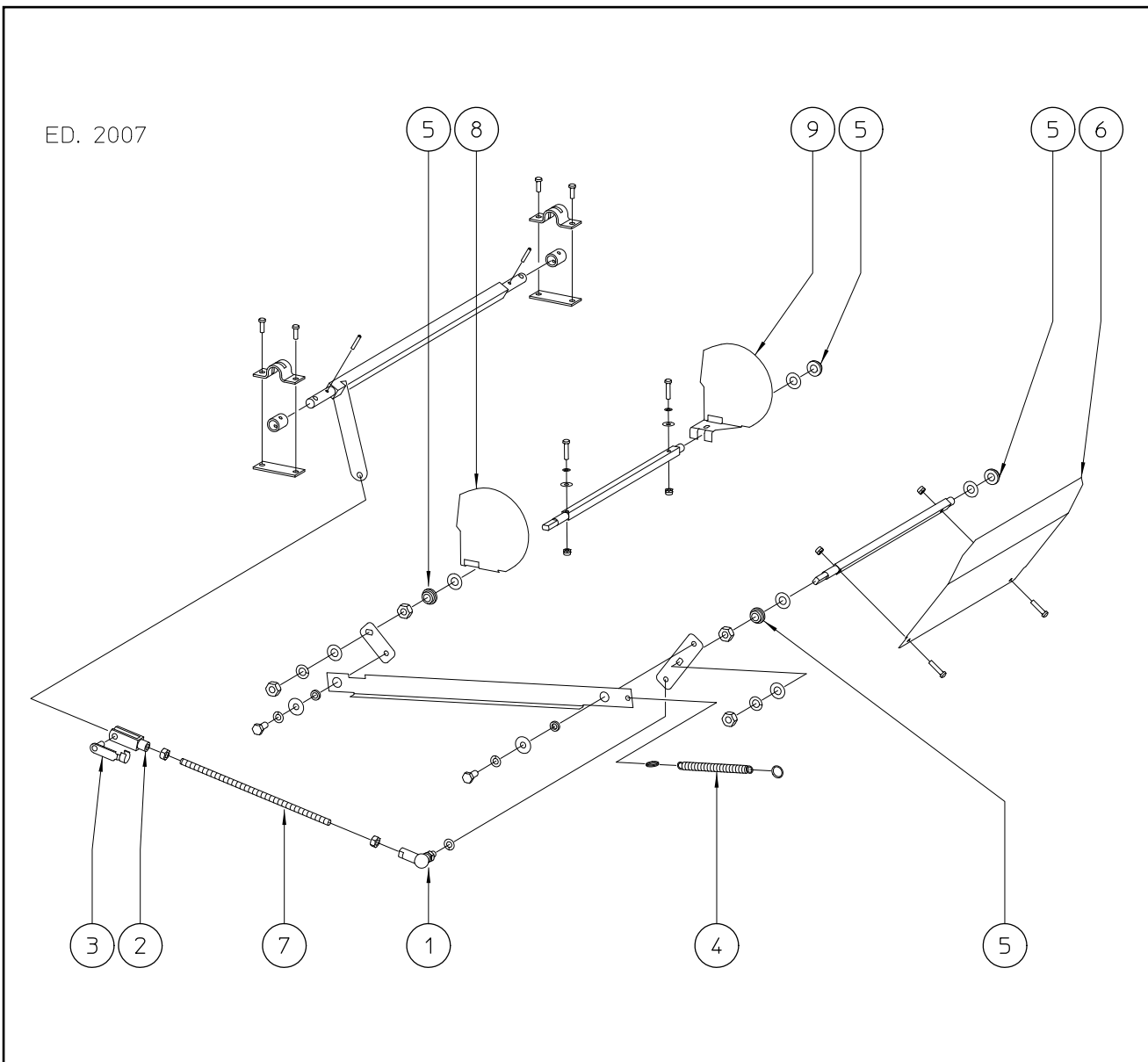
3	A1938601	1	MOTORE	SUCTION MOTOR	MOTOR	MOTEUR	MOTOR
2	A0522506	1	VENTOLA Ø 180mm	FAN Ø 180mm	GEBLÄSE Ø 180mm	ROTOR VENTIL. Ø 180mm	ROTOR Ø 180mm
1	0250507	1	GUARNIZIONE	GASKET	DICHTUNG	JOINT	EMPAQUETAD.
Pos.	Part Code	Q.ty	Denominazione	Description	Beschreibung	Designation	Descripción
A28386			3 PHASE MOTOR - GRUPPO MOTORE TRIFASE 220V 60Hz				ed2202
Part of:		Planoflex 257xT226T					



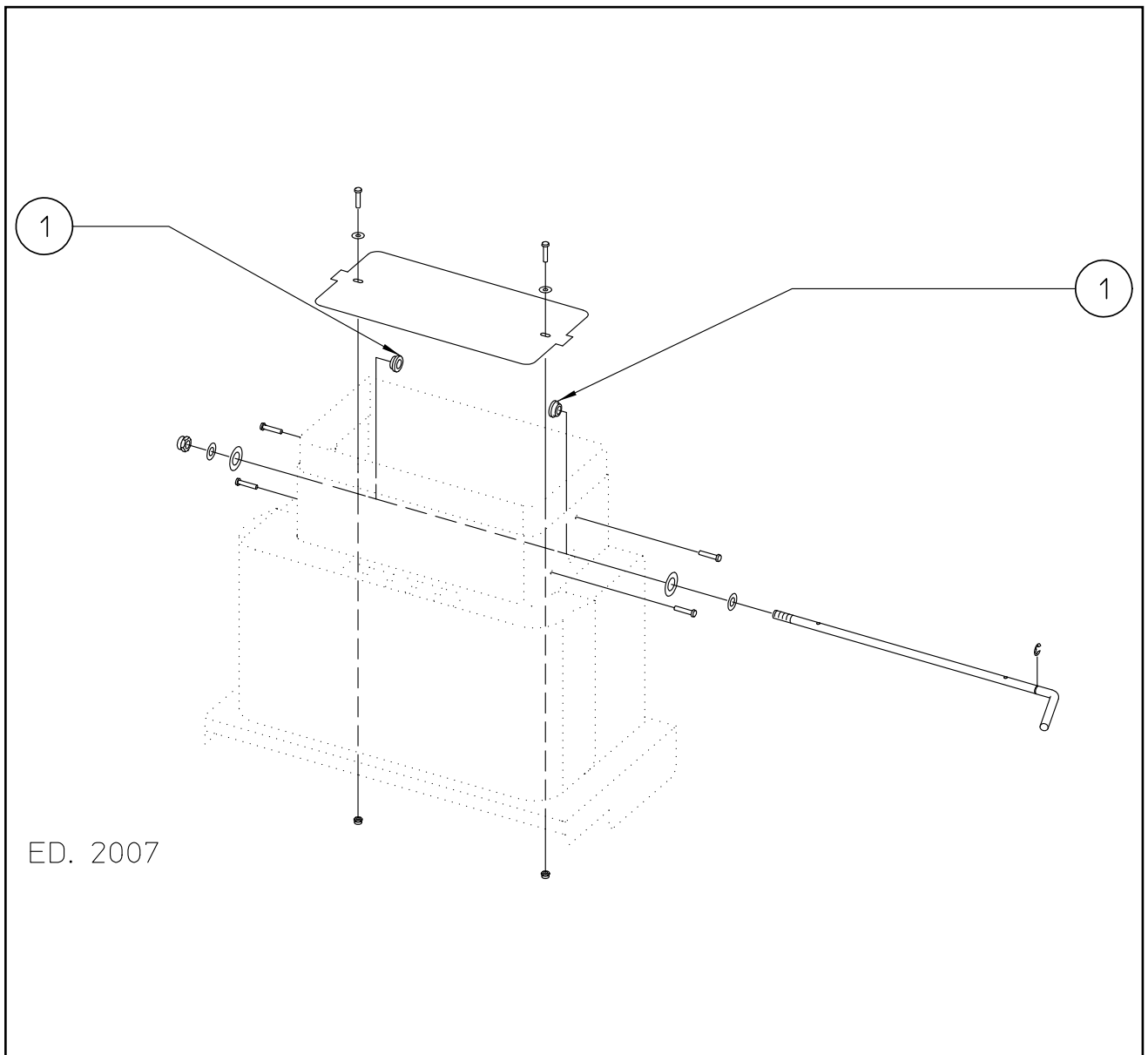
1	2017100601	1	KIT MOTORIDUTTORE	MOTOR REDUCER SPARES KIT	MOTOREDUKTOR KIT	KIT MOTOREDUCTEUR	KIT MOTORREDUCTOR
Pos.	Part. Code	Q.ty	Denominazione	Description	Beschreibung	Designation	Descripción
MOTOR REDUCER - KIT MOTORIDUTTORE							ed1904



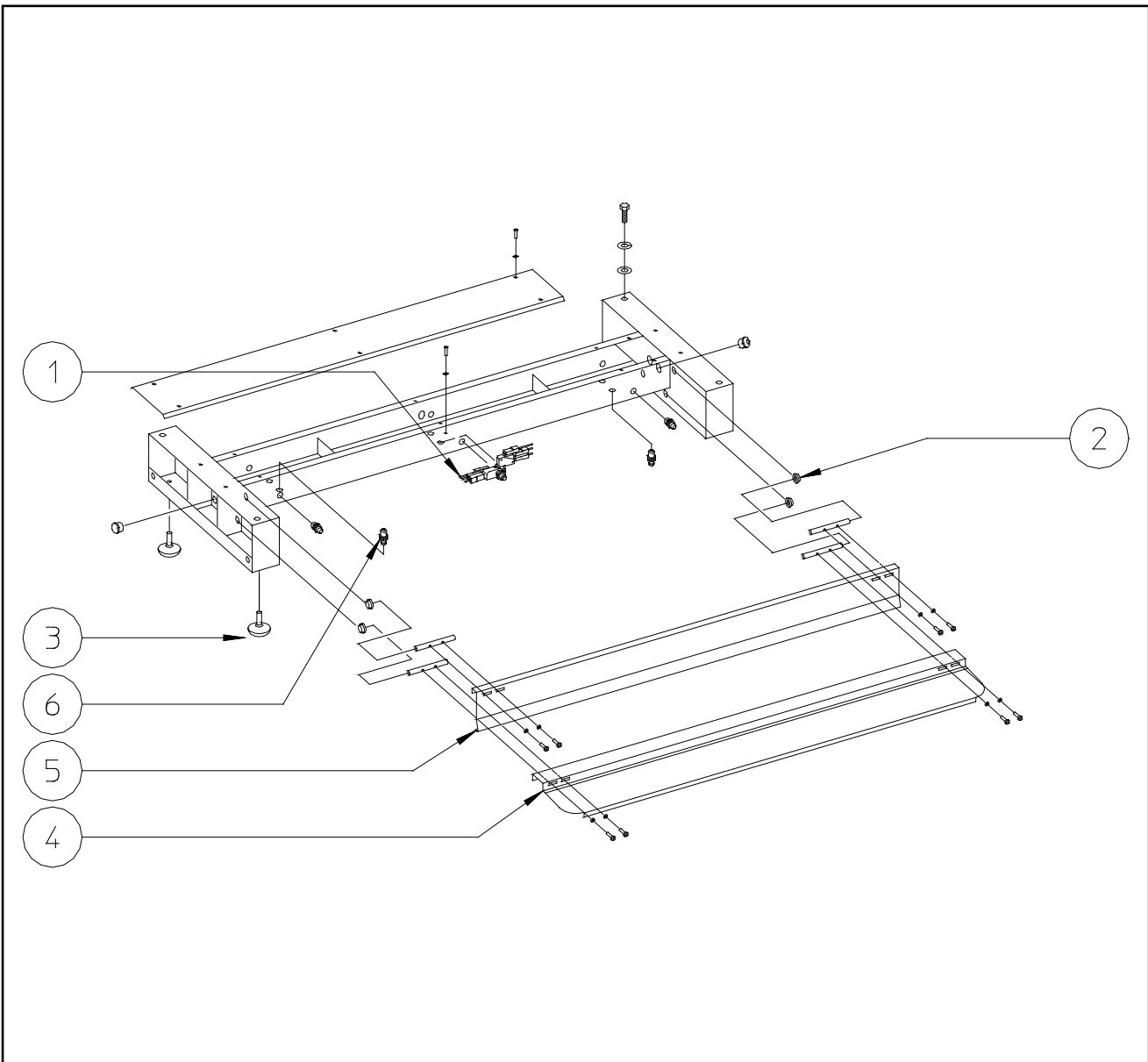
13	2424739	1	PALETTA POSTER.	REAR CLAMP	HINTERSCHAUFEL	PALE POSTERIEURE	PALETA TRASERA	
11	2424737	2	PALETTA DEVIAS.	EXCHANGE CLAMP	SCHAUFEL	PALE DEVIATION	PALETA DESVIAC.	
10	2424720	1	CAMME	CAMME	CAMME	CAMME	CAMMA	
9	2424719	1	CAMME	CAMME	CAMME	CAMME	CAMMA	
8	20171006	1	MOTORIDUTTORE	MOTOR REDUCER	MOTOREDUKTOR	MOTORIDUCTEUR	MOTORREDUCTOR	
7	0290131	10	BUSSOLA PALETTA	BUSH	KOMPASS	BOUSSOLE	CASQUILLO PALETA	
4	0220511	2	MICROINTER.	MICRO	MIKROSCHALTER	MICROINTER.	MICROINTER.	
1	0190503	3	TESTINA M6	CONNECTION M6	VERBINDUNG M6	RACCORD M6	CODO M6	
Pos.	Part. Code		Q.ty	Denominazione	Description	Beschreibung	Designation	Descripción
	50Hz	60Hz	AIR FLOW DEVIATION GROUP GRUPPO CASSETTA DEVIAZIONE SOFFIAGGIO					ed2007
	2471A30.02							



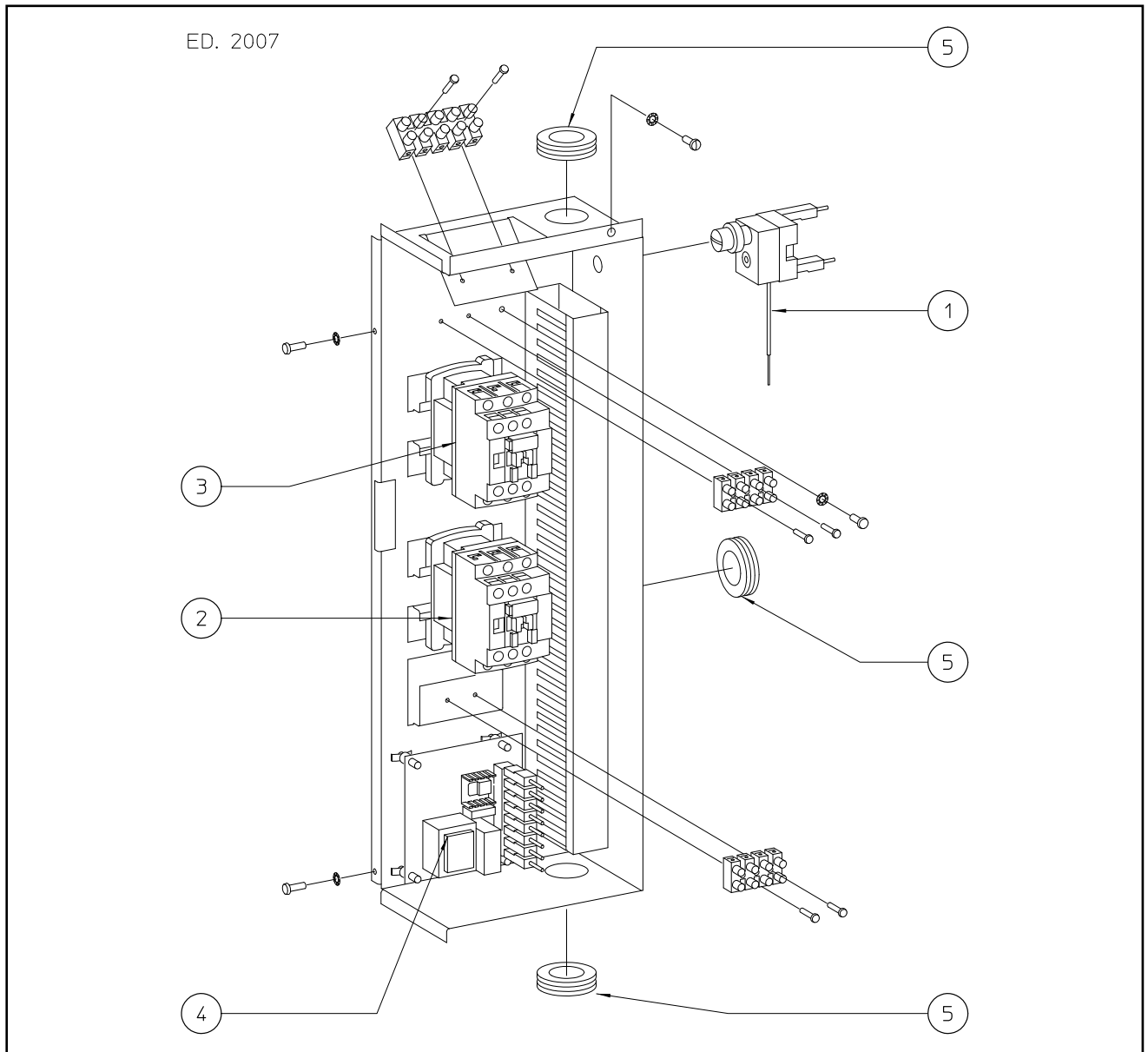
9	2424744	1	PALETTA SX	FLAP	LINKE SCHAUFEL	PALE SX	PALETA IZQUIERDA
8	2424743	1	PALETTA DX	FLAP	RECHTE SCHAUFEL	PALE DX	PALETA DERECHA
7	2424742	1	BARRA M6x180	BAR M6x180	STANGE M6x180	BARRE M6x180	BARRA M6x180
6	2424738	1	PALETTA CHIUSURA	CLOSING CLAMP	SCHLUSSSCHAU- FEL	PALE FERMETURE	PALETA CIERRE
5	0290131	10	BUSSOLA PALETTA	BUSH	KOMPASS	BOUSSOLE	CASQUILLO PALETA
4	0240108	1	MOLLA	SPRING	FEDER	RESSORT	MUELLE
3	0190505	1	CLIPS FORCELLA	CLIPS	HEFTKLAMMER	CLIPS FOURCHE	CLIPS HORQUIL.
2	0190504	1	FORCELLA M6	FORK M6	GABEL M6	FOURCHE M6	HORQUILLA M6
1	0190503	3	TESTINA M6	CONNECTION M6	VERBINDUNG M6	RACCORD M6	CODO M6
Pos.	Part. Code	Q.ty	Denominazione	Description	Beschreibung	Designation	Descripción
	2471A30.03		ARM AIR FLOW DIVERSION GROUP GRUPPO CHIUSURA TAVOLO				ed2007



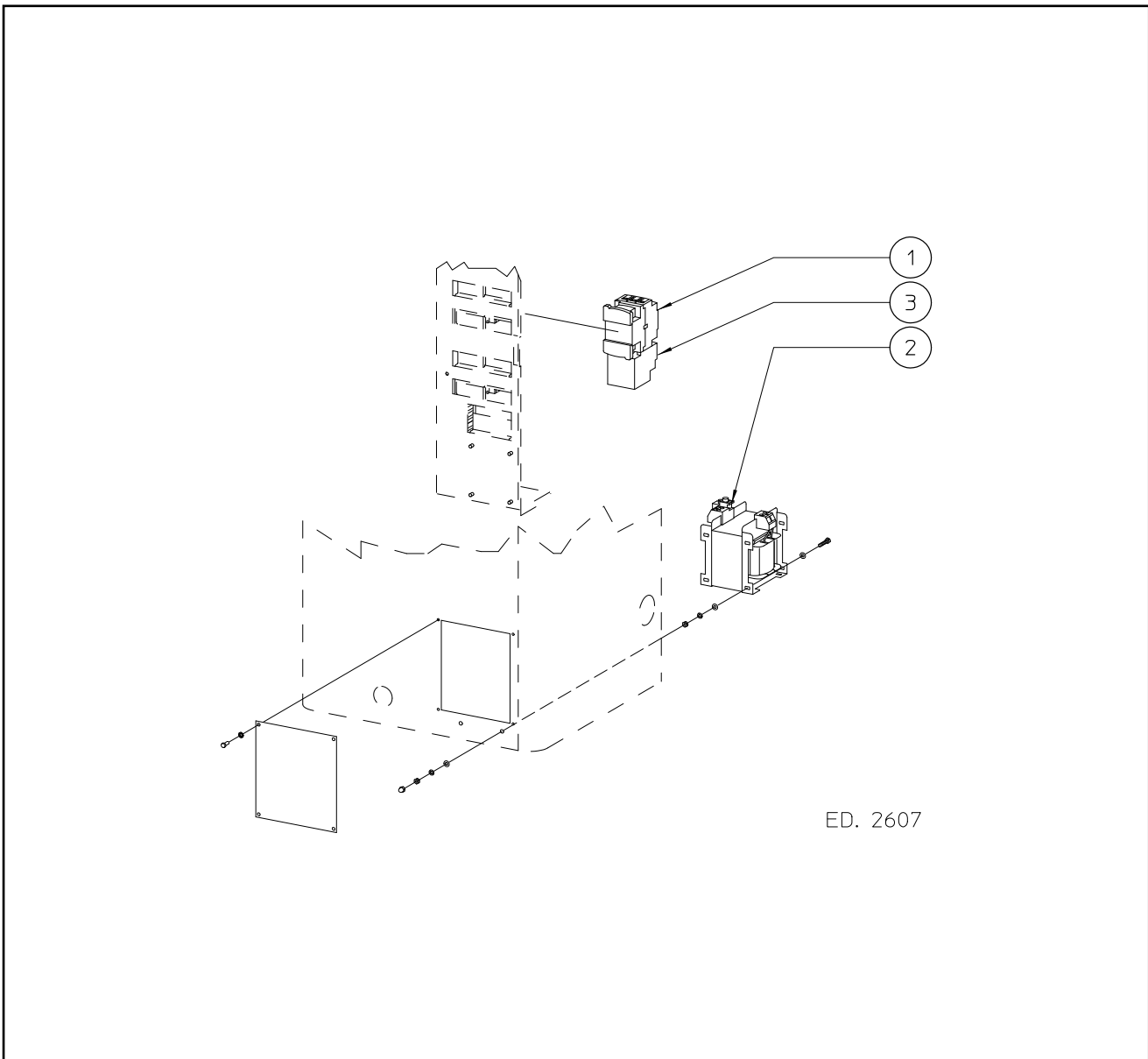
1	0290131	10	BUSSOLA PALETTA	BUSH	KOMPASS	BOUSSOLE	CASQUILLO PALETA
Pos.	Part. Code	Q.ty	Denominazione	Description	Beschreibung	Designation	Descripción
2471A20		SUCTION ADJUSTMENT REGOLAZIONE ASPIRAZIONE					ed2007



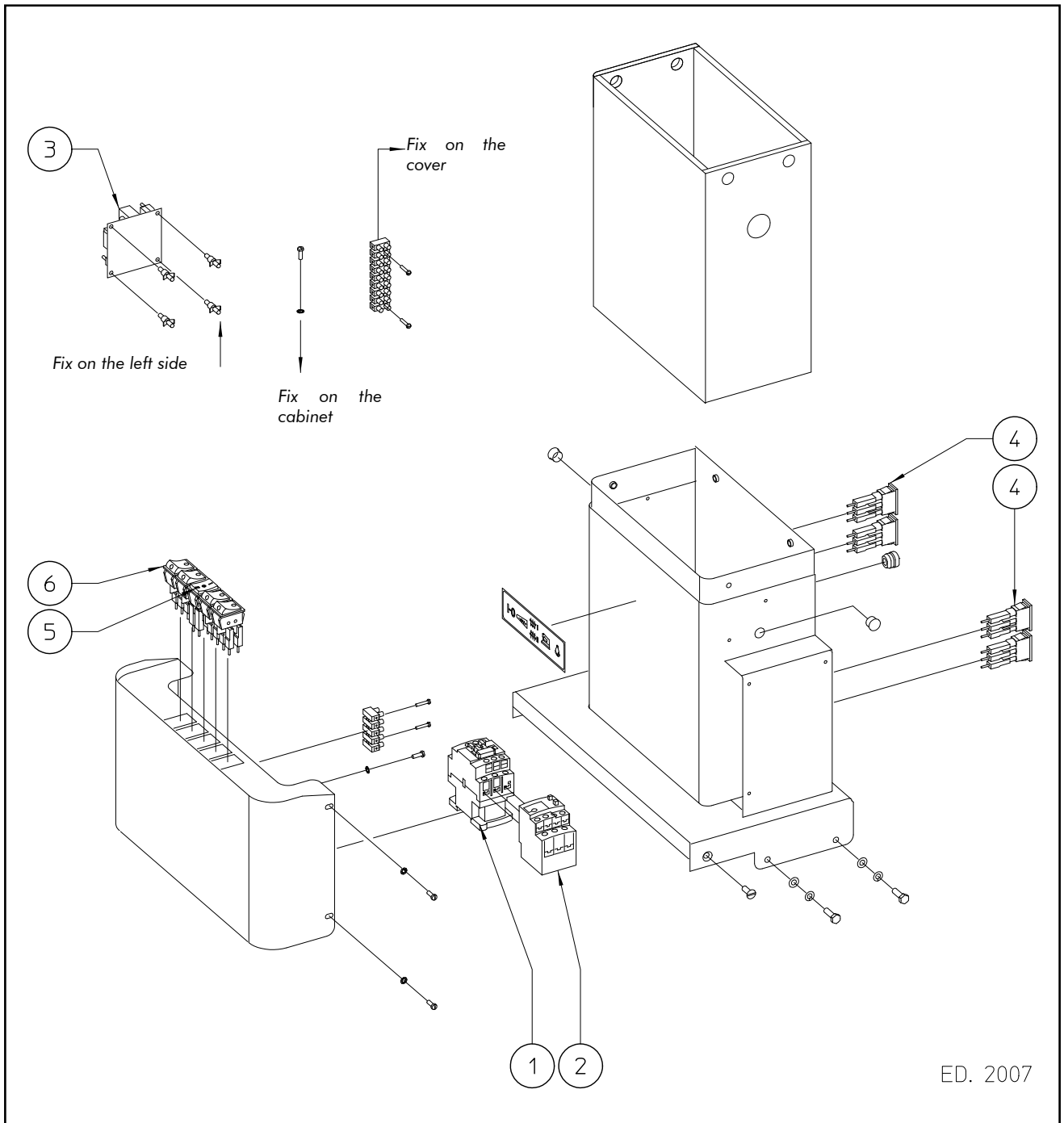
6	PD1006	4	KIT RESPINGENTE PER PEDALE	SPRING KIT FOR PEDAL	FEDER FÜR PEDAL	KIT RESSORT PEDALE	KIT RET. PEDAL	
5	2424504	1	PEDALE SOFF.	BLOWING PEDAL	BLASPEDAL	PEDALE SOUFFLAGE	PEDAL SOPLANTE	
4	2424503	1	PEDALE ASPIRAZ.	VACUUM PEDAL	SAUGPEDAL	PEDALE ASPIRATION	PEDAL ASPIRACIÓN	
3	20819002	2	PIEDINO	FOOT	Fuß	PIED POUR TABLE	PIE DE LA MESA	
2	0290131	4	BUSSOLA PALETTA	BUSH	KOMPASS	BOUSSOLE	CASQUILLO PALETA	
1	0220557	2	MICROINTERRUTT.	MICRO	MIKROSCHALTER	MICROINTERRUPTEUR	MICROINTERRUPTOR	
Pos.	Part. Code	Q.ty	Denominazione	Description	Beschreibung	Designation	Descripción	
2471A50		PEDAL GROUP GRUPPO PEDALIERA LONGITUDINALE					ed2007	



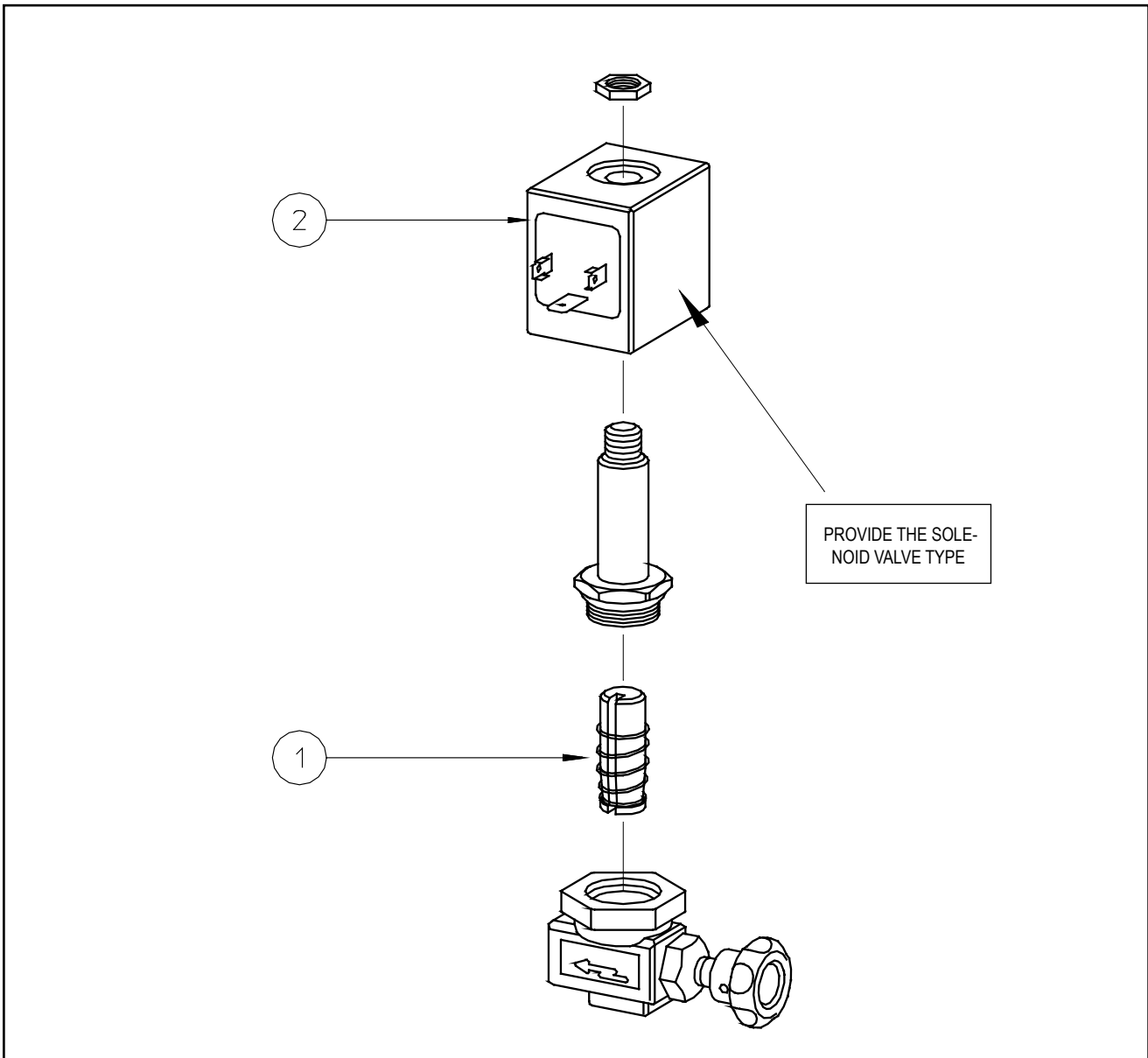
5	0220613	1	PASSACAVO	CABLE HOLDER	KABELSHALTER	PASSE-CABLE	PASACABLE
4	0220564	1	SCHEDA CONTROLLO LIVELLO	LEVEL CONTROL BOARD	PLATINE	CARTE DE NIVEAU	TARJETA NIVEL
3	0220561	1	CONTATTORE	CONTACTOR	SCHUTZ 9A	CONTACTEUR 9A	CONTACTOR 9A
2	0220501	1	CONTATTORE	CONTACTOR	SCHUTZ 9A	CONTACTEUR 9A	CONTACTOR 9A
1	0220500	1	TERMOSTATO	THERMOSTAT	SICHEHREITSTEMPE- RATURBEGRENZER	THERMOSTAT	TERMÓSTATO
Pos.	Part. Code	Q.ty	Denominazione	Description	Beschreibung	Designation	Descripción
2571A60			ELECTRIC PLANT GRUPPO CASSETTA ELETTRICA				ed2007



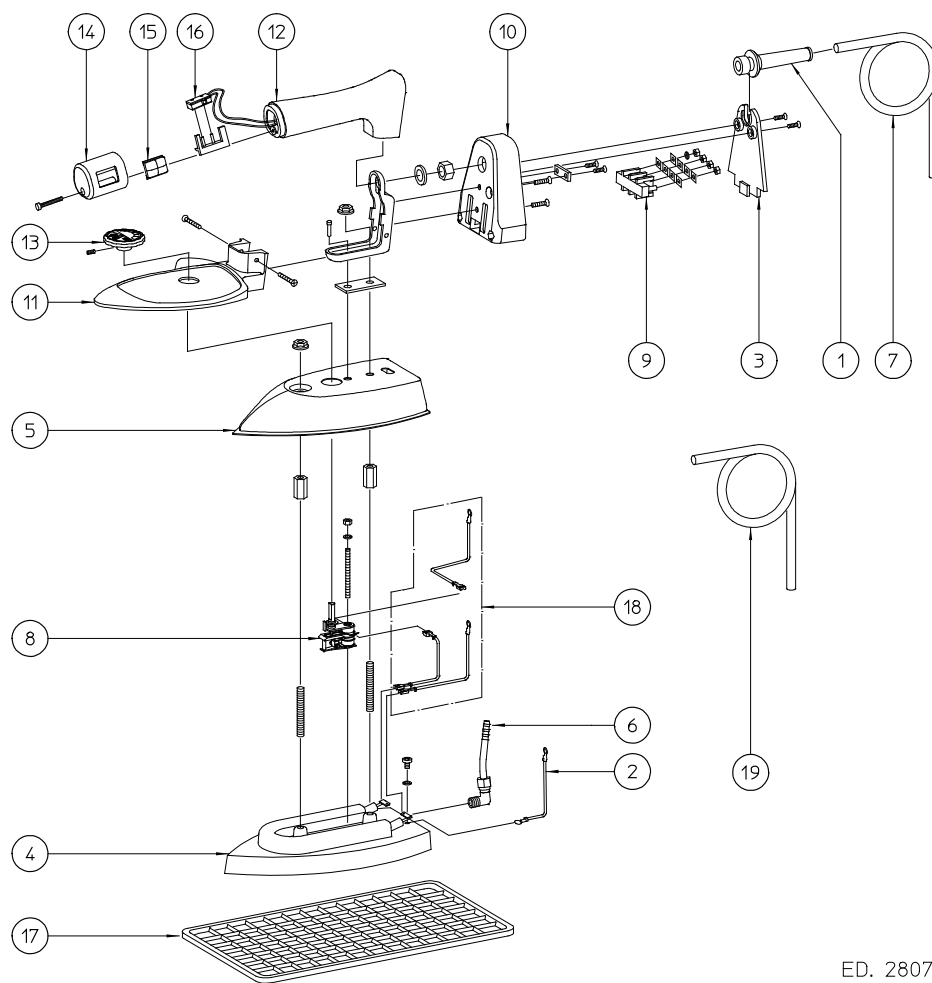
3	0220533	1	RELE TERMICO	THERMAL RELAY	RELAIS	RELAIS THERMIQUE	RELÉ TÉRMICO	
2	0220506	1	TRASFORMATORE	TRANSFORMER	TRANSFORMATOR	TRASFORMATEUR	TRANSFORMADOR	
1	0220501	1	CONTATTORE	CONTACTOR	SCHUTZ 9A	CONTACTEUR 9A	CONTACTOR 9A	
Pos.	Part. Code	Q.ty	Denominazione	Description	Beschreibung	Designation	Descripción	
2571A60		ELECTRIC PLANT FOR 210-220V 60Hz GRUPPO CASSETTA ELETTRICA PER 210-220V 60Hz					ed2607	



6	F0334008	3	INTERRUTTORE	SWITCH	SCHALTER	INTERRUPTEUR	INTERRUPTOR	
5	20869001	1	DEVIATORE BIPOL.	SWITCH	SCHALTER	DEVIATEUR BIPOLAIRE	DESVIADOR BIPOLAR	
4	20569004	1	PRESA	SOCKET	STECKDOSE	PRISE	TOMA	
3	0221429	1	SCHEDA DI RITARDO	TRANSITION CONTROL BOARD	PLATINE FÜR DEN ALLMAHLICH ÜBERGANG	CARTE DE TEMPORIZATION	TARJETA DE TRANSICIÓN DULCE	
2	0220526	1	RELE TERMICO	THERMAL RELAY	RELAIS	RELAIS THERMIQUE	RELÉ TÉRMICO	
1	0220501	1	CONTATTORE	CONTACTOR SWITCH	SCHUTZ	CONTACTEUR	CONTACTOR	
Pos.	Part. Code	Q.ty	Denominazione	Description	Beschreibung	Designation	Descripción	
	2424006 2424008		CONTROL PANEL GRUPPO CONSOLLE					ed2007

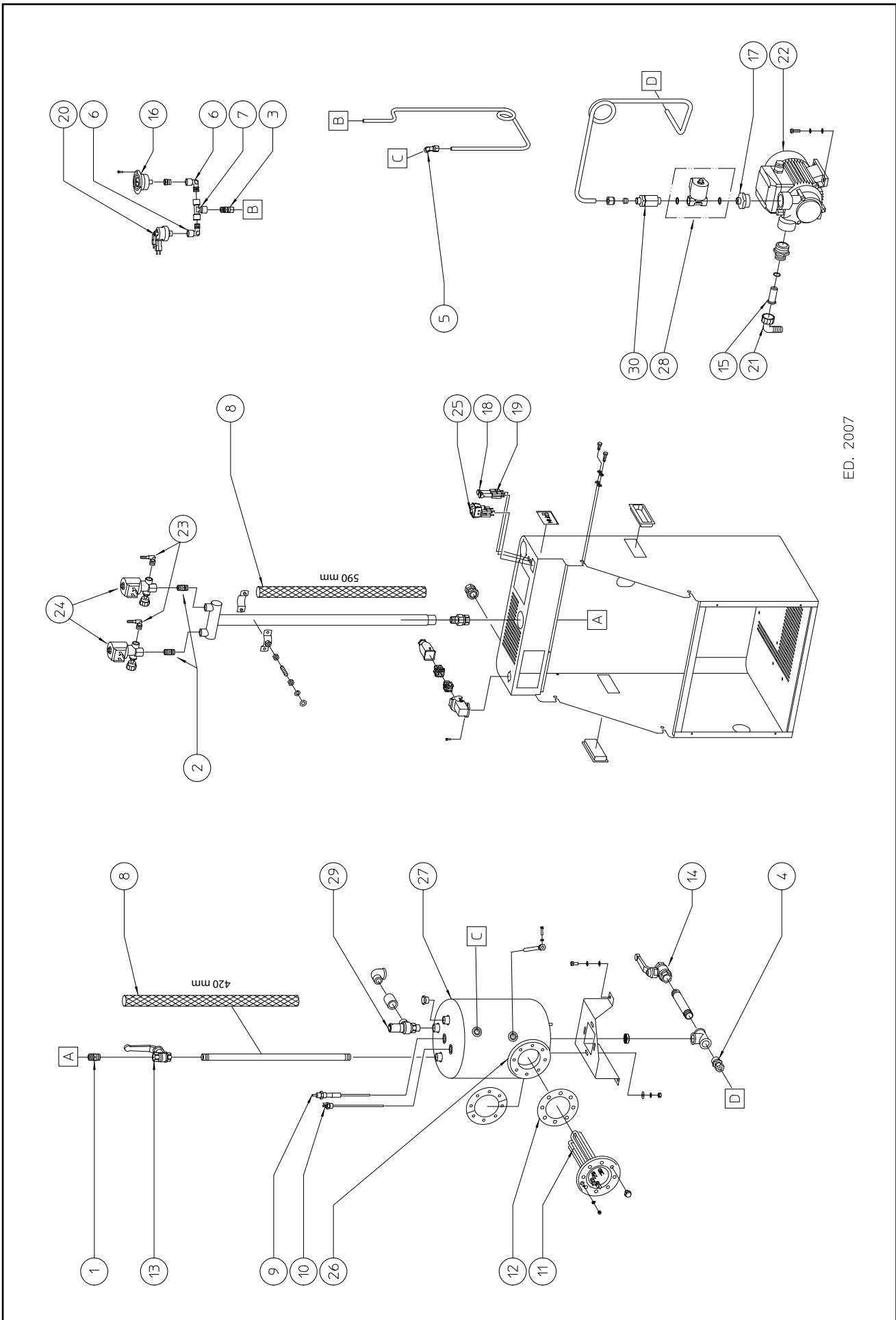


2	E0321009	E0321008	1	BOBINA	COIL	SPÜLE	BOBINE	BOBINA
1	E03121		1	NUCLEO MOBILE	NUCLEUS	KERN	NOYAU	NÚCLEO MÓVIL
Pos.	Part. Code		Q.ty	Denominazione	Description	Beschreibung	Designation	Descripción
	E03225	E03226	SOLENOID VALVE - ELETTROVALVOLA					ed2905
	50Hz	60Hz						



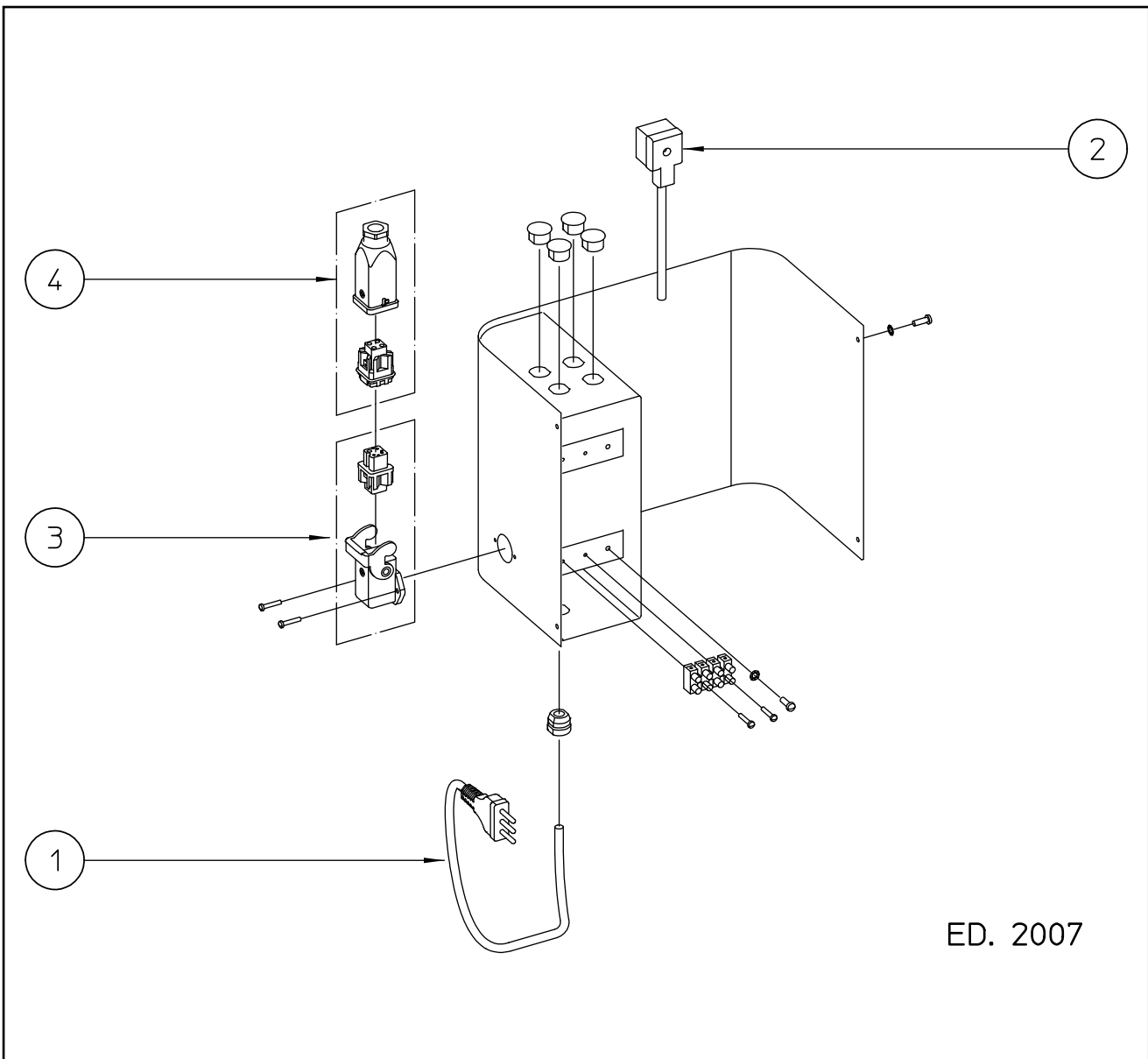
ED. 2807

20	0130401	1	TUBO VAPORE	STEAM HOSE	DAMPFSCHLAUCH	TUYAU VAPEUR	TUBO VAPOR
19	F16032	1	SOLETTA DI TEFLON	TEFLON SHOE	TEFLON SOLE	SEMELLE TEFLON	PLANTILLA TEFLON
18	ZF31	1	KIT FILI	WIRES KIT	KABELS KIT	KIT FILS	KIT CABLES
17	S0191001	1	SOTTOFERRO SIL.	SILICON IRON REST	SILIKONABLAGE	REPOSE FER SILICONE	ALFOM. PLANCHA SIL.
16	F1732006	1	MICROINTERR.	MICRO	MIKROSCHALTER	MICROINTERRUPTEUR	MICROINTERRUPTOR
15	F17040	1	PULSANTE	BUTTON	KNOFF	POUSSOIR	PULSANTE
14	F17039	1	CHIUSURA ANTER.	FRONT CLOSING	VORDERVERSCHLUSS	FERMETURE ANT.	CIERRE ANTERIOR
13	F052100601	1	VOLANTINO	HAND-WHEEL	KNOFF	VOLANT	RUEDA MANUAL
12	F16029	1	IMPUGNATURA	HANDLE	GRIFF	POIGNEE	EMPUÑADURA
11	F104006	1	PARAMANO C/FORO	HAND-GUARD	HANDSCHUTZ	PROTECTION MAINS	PROTECCIÓN MANOS
10	F104001	1	SCATOLA ELETTR.	ELECTRIC BOX	ELEKTR. KISTE	BOITE ELECTRIQUE	CAJA ELÉCTRICA
9	F0532003	1	MORSETTIERA	TERMINAL BOARD	KLEMME	DOMINO DE RACCORD.	TERMINAL DE CONEX.
8	F0231004	1	TERMOSTATO	THERMOSTAT	THERMOSTAT	THERMOSTAT	TERMÓSTATO
7	F0231001	1	CAVO ELETTRICO	ELECTRIC CABLE	ELEKTR. KABEL	CABLE ELECTRIQUE	CABLE ELÉCTRICO
6	F021103	1	PORTAGOMMA	CABLE HOLDER	GUMMISHALTER	EMBOUT	PORTACABLE
5	F021102	1	CALOTTA	COVER	KALOTTE	CALOTTE	TAPA
4	F021101	1	PIASTRA C/RESIST.	PLATE W/HEATING	SOHLE MIT HEIZSTAB	PLAQUE AVEC RESIST	PLANCHA CON RESIST.
3	F021104	1	TAPPO POSTER.	REAR COVER	HINTERVERSCHLUSS	BOUTON ARRIERE	TAPÓN POSTERIOR
2	F0132006	1	FILO COLL. TERRA	EARTH WIRE	ERDUNGSDRAHT	FILS	CABLE CONEX. TIERRA
1	F0131002	1	PASSACAPO	CABLE SUPPORT	KABELSDURCHGANG	PASSE-CABLE	PASACABLE
Pos.	Part Code	Q.ty	Denominazione	Description	Beschreibung	Designation	Descripción
F021			STEAM ELECTRIC IRON FERRO ELETTROVAPORE				ed3906



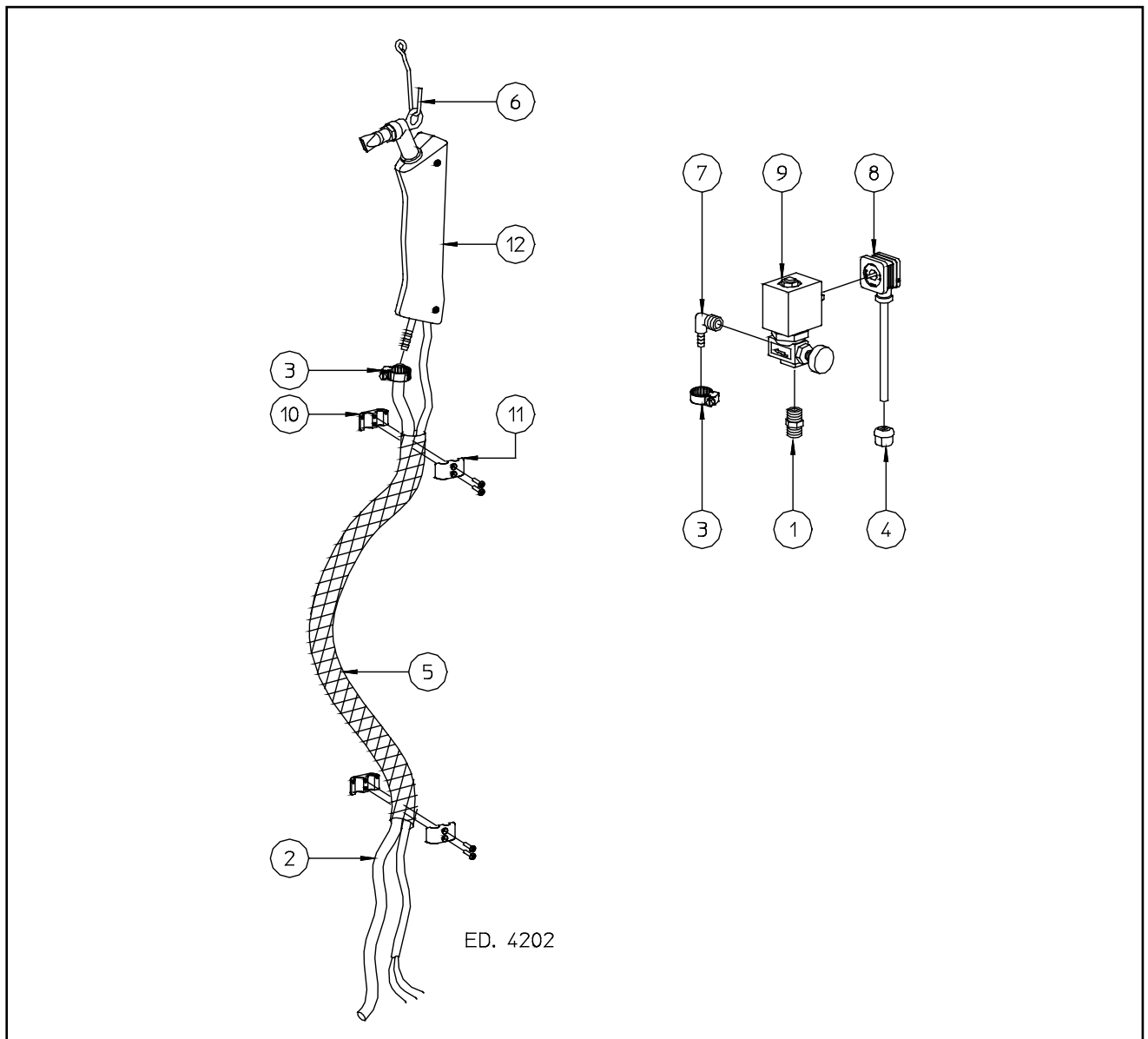
ED. 2007

30	W03	1	VALVOLA DI RITEGNO	CHECK VALVE	RÜCKSCHLAGVENTIL	CLAPET DE RETENUE	VÁLVULA DE CONTENCIÓN
29	V20	1	VALVOLA SIC.	SAFETY VALVE	SICHERHEITSVENTIL	VANNE DE SECURITE	VÁLVULA DE SEGUR.
28	LE01	1	KIT ELETTROVALVOLAAACQUA	WATER VALVE	WASSERVENTIL	ELECTROVANNE	ELECTROV. AGUA
27	G1519003	1	ISOLAMENTO	ISOLATION	ISOLIERUNG	ISOLEMENT	AISLAMIENTO
26	G1511006	1	GENERATORE	BOILER	KESEL	GENERATEUR	CALDERA
25	F0334008	1	INTERRUTTORE	SWITCH	SHALTER	INTERRUPTEUR	INTERRUPTOR
24	E03225	2	ELETTROVALVOLA	WATER	VENTIL	ELECTROVANNE	ELECTROVÁLVULA
23	E0111005	1	PORTAGOMMA	BARBED FITTING	GUMMISHALTER	EMBOUT	PORTACABLE
22	D08225	1	ELETTROPOMPA	PUMP	PUMPE	POMPE	BOMBA
21	16022002	1	PORTAGOMMA	BARBED FITTING	GUMMISHALTER	EMBOUT	PORTACABLE
20	12042005	1	PRESSOSTATO	PRESSURE SWITCH	DRÜCKWACHTER	PRESSOSTAT	PRESÓSTATO
19	10069004	1	SPIA ROSSA 230V	RED LIGHT 230V	ROT ANZEIGER 230V	VOYANT ROUGE 230V	BOMBILLA ROJA 230V
18	10069003	1	SPIA VERDE 230V	GREEN LIGHT 230V	GRÜNE ANZEIGER 230V	VOYANT VERT 230V	BOMBILLA VERDE 230V
17	0290152	1	NIPPLO G1"-3/8"	NIPPLE G1"-3/8"	NIPPEL G1"-3/8"	NIPPLE G1"-3/8"	NIPLE G1"-3/8"
16	0280501	1	MANOMETRO	PRESSURE GAUGE	MANOMETER	MANOMETRE	MANOMETRO
15	0280403	1	FILTRO POMPA	PUMP FILTER	FILTER	FILTRE POMPE	FILTRO BOMBA
14	0280103	1	VALVOLA SFERA	VALVE	KÜGELVENTIL	VANNE A BILLE	VÁLVULA ESFERA
13	0280102	1	VALVOLA A SFERA	VALVE	KÜGELVENTIL	VANNE A BILLE	VÁLVULA ESFERA
12	0250511	1	GUARNIZIONE	GASKET	DICHTUNG	JOINT	EMPAQUETADURA
11	G15613	1	GR. RESIST. 4KW	4KW HEATING GROUP	HEIZUNGGRUPPE 4KW	GR. RESIST. 4KW	GR. RESIST. 4KW
10	0220855	1	SONDA DI TERRA	EARTH PROBE	ERDUNGSSONDE	SONDE DE TERRE	SONDA TOMA TIERRA
9	0220839	1	SONDA DI LIVELLO	LEVEL PROBE	NIVEAUSONDE	SONDE DE NIVEAU	SONDA DE NIVEL
8	0220750	1	GUAINA	SHEATH	HÜLLE	GAINÉ	VAINA
7	0170202	1	RACC. A T	T-FITTING	T-VERSCHRÄUBUNG	RACCORD ENT	RACOR ENT
6	0160404	2	RACC. A L	L-FITTING	L-VERSCHRÄUBUNG	RACCORD EN L	RACOR EN L
5	0160204	1	RACC. CURVO G1/4" Ø8-6	FITTING G1/4" Ø8-6	VERSCHRÄUBUNG G1/4" Ø8-6	RACCORD G1/4" Ø8-6	RACOR G1/4" Ø8-6
4	0160204	1	RACC.DIR.M. G1/2" Ø10-8	FITTING G1/2" Ø10-8	VERSCHRÄUBUNG G1/2" Ø10-8	RACCORD G1/2" Ø10-8	RACOR G1/2" Ø10-8
3	010110	1	RACC.DIR.M. G1/4" Ø8-6	FITTING G1/4" Ø8-6	VERSCHRÄUBUNG G1/4" Ø8-6	RACCORD G1/4" Ø8-6	RACOR G1/4" Ø8-6
2	0160102	1	NIPPLO G 1/4"	NIPPLE G 1/4"	NIPPEL G 1/4"	NIPPLE G 1/4"	NIPLE G 1/4"
1	0090201	1	NIPPLO G 3/8"	NIPPLE G 3/8"	NIPPEL G 3/8"	NIPPLE G 3/8"	NIPLE G 3/8"
Pos.	50 Hz	60 Hz	Q.ty	Description	Beschreibung	Designation	Description
	Part. Code						
	2571A40			BOILER GROUP GRUPPO CALDAIA			ed2007



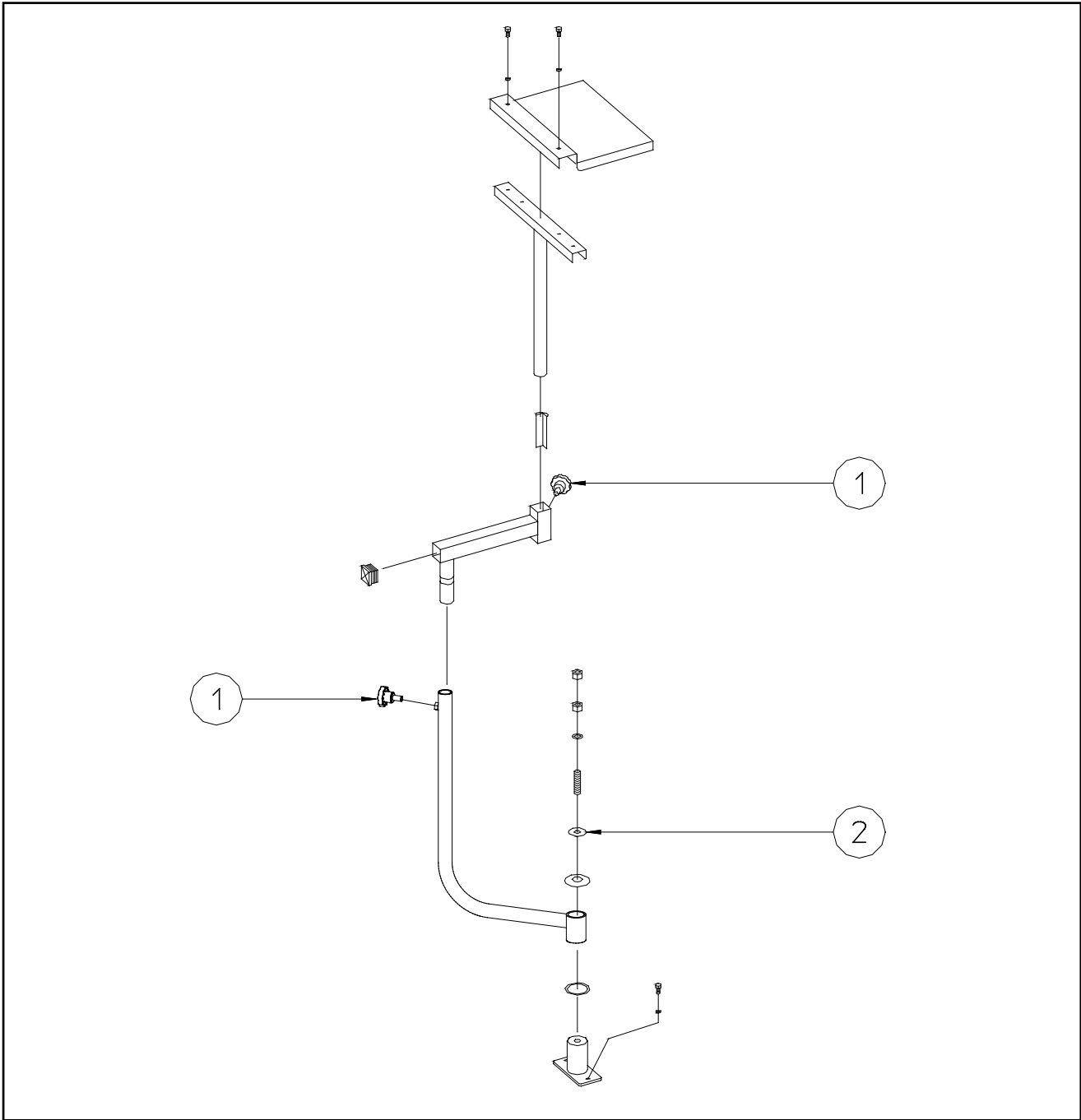
ED. 2007

4	S0161013	1	SPINA ILME	PLUG	STECKER	FICHE	ENCHUFE	
3	S0161012	1	PRESA ILME	SOCKET	STECKDOSE	PRISE	TOMA	
2	1230652	1	CONNETTORE	CONNECTOR	VERBINDER	CONNECTEUR	CONECTOR	
1	10069002	1	CAVO ALIMENTAZIONE	FEEDING CABLE	ELEKTRISCHE KABEL	CABLE ALIMENTATION	CABLE ALIMENTACIÓN	
Pos.	Part. Code	Q.ty	Denominazione	Description	Beschreibung	Designation	Descripción	
2471A04		STEAM SEPARATOR CABINET CARENATURA DEL GRUPPO SEPARATORE					ed2007	

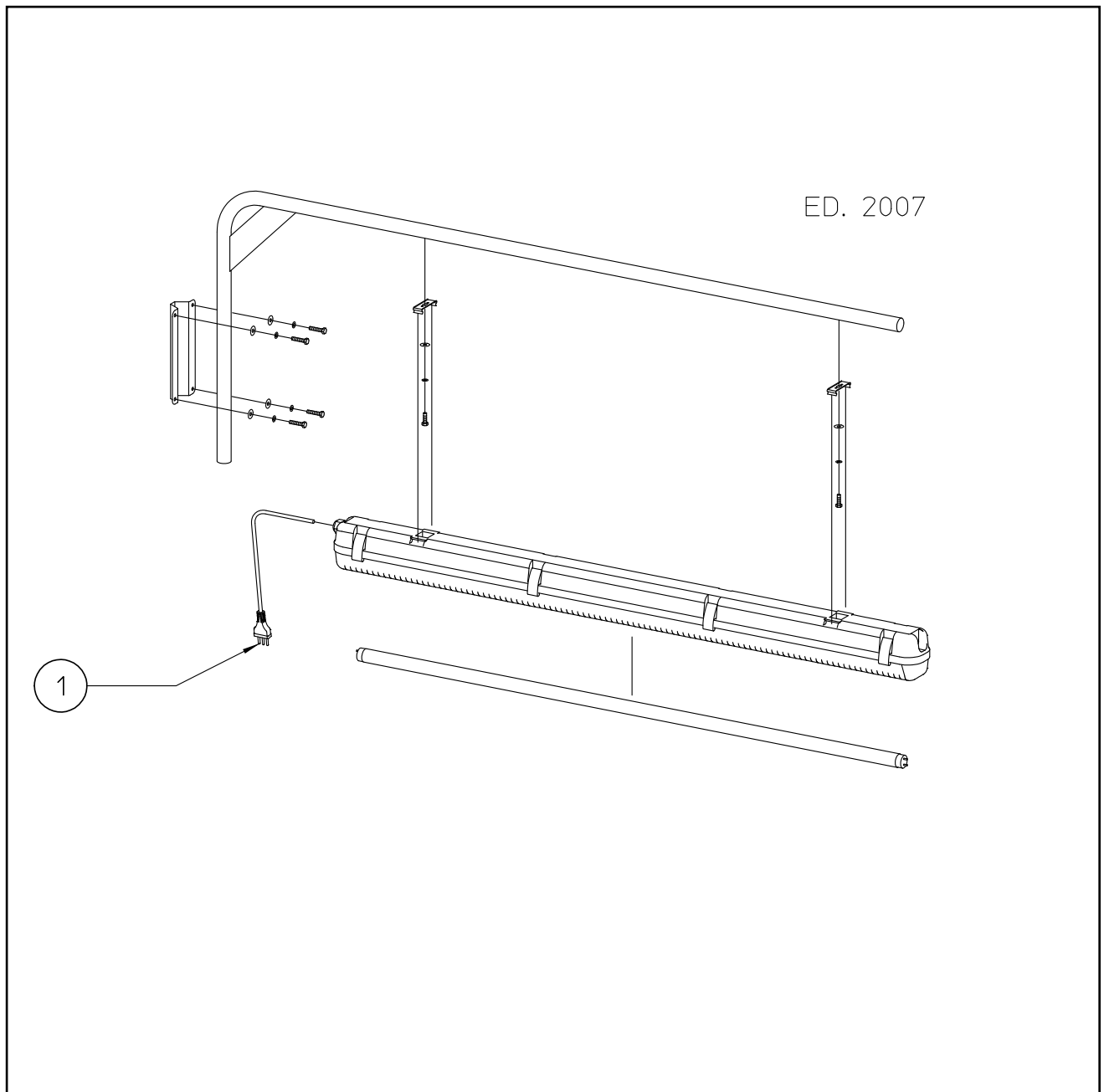


ED. 4202

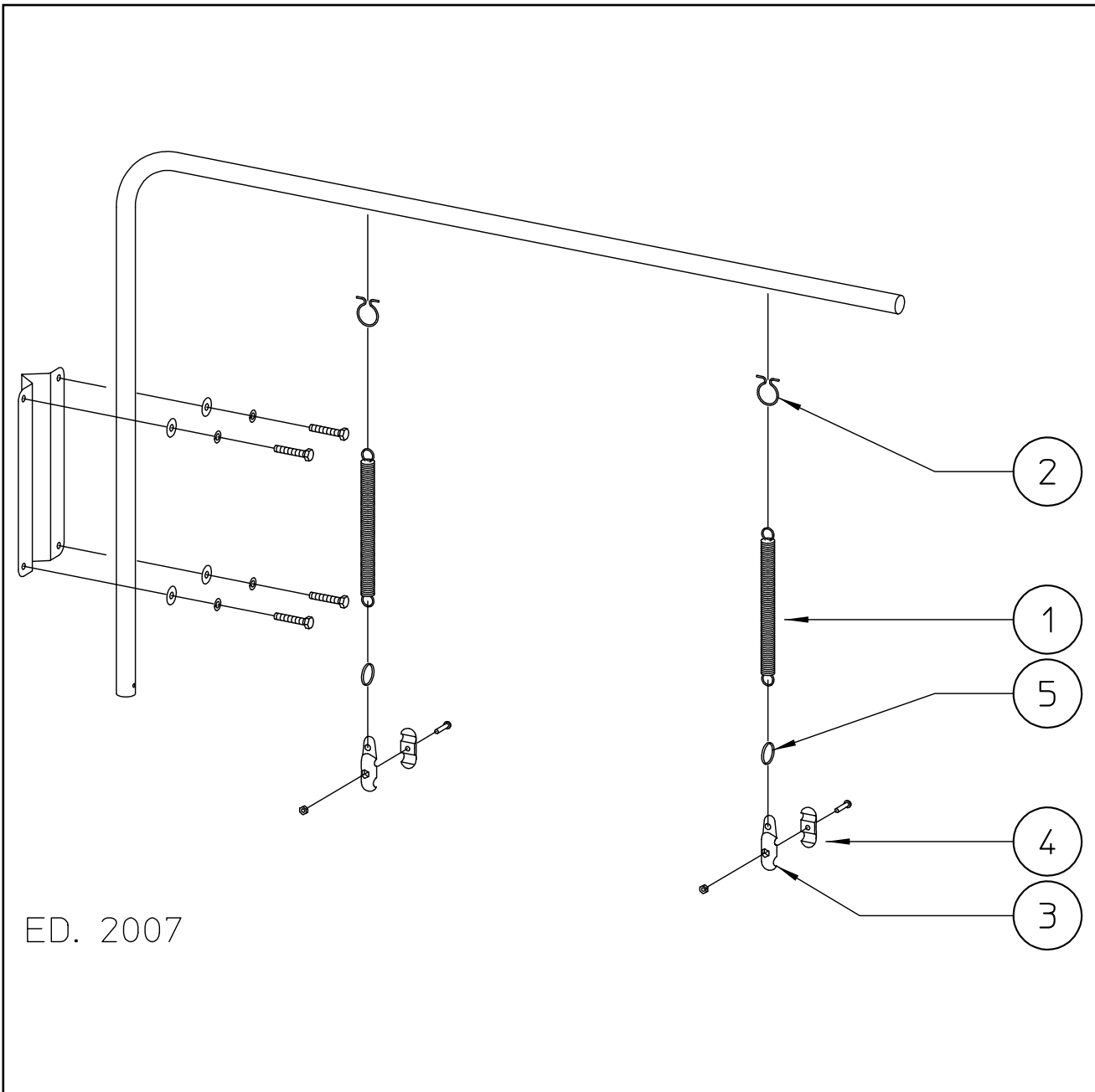
12	P104	1	PISTOLA 1 PULS.	1 BUTTON GUN	PISTOLE	PISTOLET 1 POUSSOIR	PISTOLA 1 PULS.	
11	F0131102	2	COLLARE SUPER.	UPPER COLLAR	OBERBAND	COLLIER SUPER	COLLAR SUP.	
10	F0131101	2	COLLARE INFER.	LOWER COLLAR	OBERBAND	COLLIER INFER	COLLAR INF.	
9	E03225	E03226	2	ELETTRORVALVOLA	SOLENOID VALVE	ELEKTROVENTIL	ELECTROVANNE	ELECTROVÁLVULA
8	E0121009	1	CONNETTORE	CONNECTOR	VERBINDER	CONNECTEUR	CONECTOR	
7	E0111005	1	PORTAG. CURVO	CABLE HOLDER	GUMMISHALTER	EMBOUT COURBE	PORTACABLE CURVO	
6	0240208	1	GANCIO	HOOK	HAKEN	CROCHET	GANCHO	
5	0220702	1.2mt.	GUAINA	DAFETY WOVEN	SCHEIDE	GUAINE	VAINA (1,70mt.)	
4	0220608	1	PRESSACAVO	CABLE SUPPORT	KABELSDURCHGANG	PASSE-CABLE	PASACABLE	
3	0220106	2	FASCETTA	CLIP	DICHTUNGSRING	COLLIER	ABRAZADERA	
2	0130408	2.2mt.	TUBO VAPORE	STEAM HOSE	DAMPFSCHLAUCH	TUYAU VAPEUR	TUBO VAPOR	
1	0090202	1	NIPPLO	NIPPLE	NIPPEL	NIPPLE	NIPLE	
Pos.	Part. Code		Q.ty	Denominazione	Description	Beschreibung	Designation	Descripción
	LP07	LP07M226M	STEAM GUN PISTOLA VAPORE					ed.4202
	50Hz	60Hz						



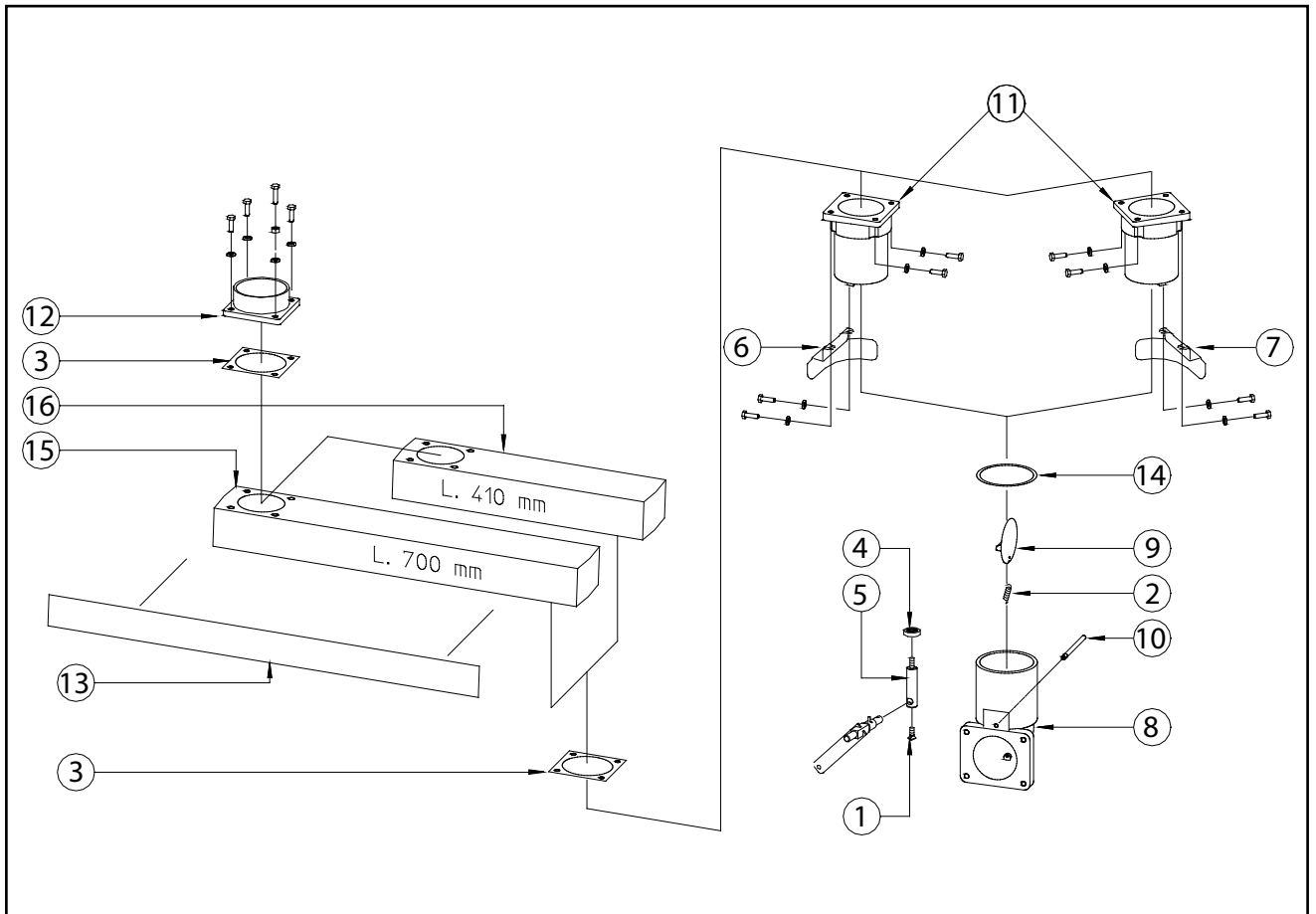
2	20811312	1	RONDELLA	WASHER	BEILAGSCHEIBE	RONDELLE	RONDANA	
1	0180401	2	VOLANTINO	HAND WHEEL	KNOFF	VOLANT	RUEDA MANUAL	
Pos.	Part. Code	Q.ty	Denominazione	Description	Beschreibung	Designation	Descripción	
X100		PIVOTING IRON SUPPORT SUPPORTO FERRO GIREVOLE					ed0204	



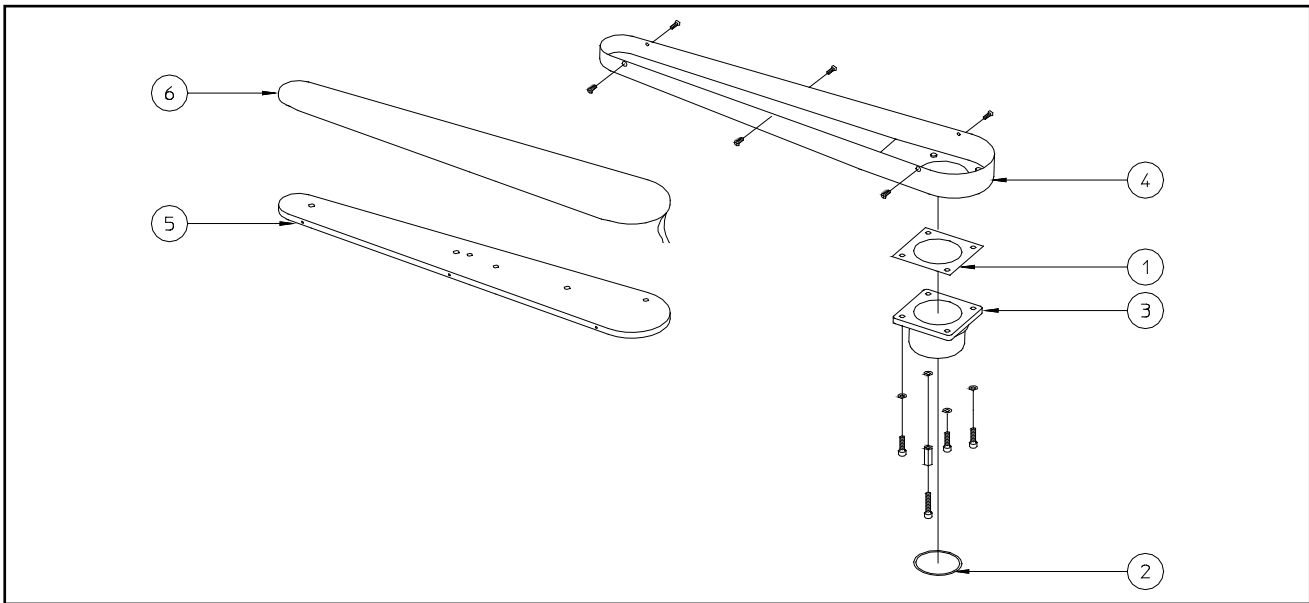
1	0220764	1	CAVO ALIMENTAZ.	FEEDING CABLE	ELEKTRISCHE KABEL	CABLE ALIMENTATION	CABLE ALIMENTACIÓN
Pos.	Part. Code	Q.ty	Denominazione	Description	Beschreibung	Designation	Descripción
X309	LAMP SUPPORT GRUPPO SUPPORTO LAMPADA						ed2007



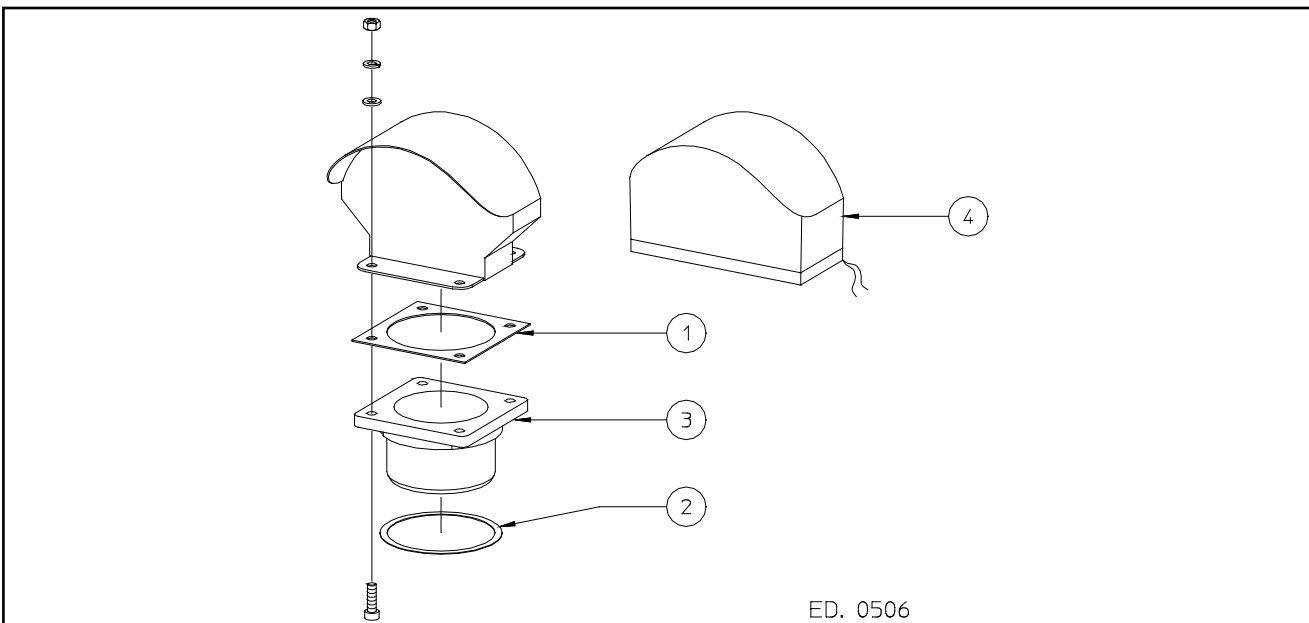
5	0240215	2	GANCIO	HOOK	HAKEN	CROCHET	GANCHO	
4	0240203	2	GANCIO FORATO	DRILLED HOOK	DURCHLÖCHERT HAKEN	CROCHET PERFOREE	GANCHO HORADO	
3	2040202	2	GANCIO PORTA CAVI	BRACKET FOR CABLE	HAKEN FÜR DIE BEFESTIGUNGDES KABELS	CROCHET SOUTIEN CAVBLES	GANCHO FIJADOR DE CABLE	
2	0240109	2	ANELLO SUPPORTO MOLLA	RING	RING	BAGUE	ANILLO	
1	0240103	2	MOLLA REGGICAVO	SPRING	PEITSCHKE	RESSORT	MUELLE	
Pos.	Part. Code	Q.ty	Denominazione	Description	Beschreibung	Designation	Descripción	
X310		CABLE HOLDER GRUPPO SUPPORTO CAVI					ed2007	



16	B0321101	1	BRACCIO L.410mm	410mm ARM SUPPORT	ARMSHALTER L.410mm	BRAS SUPP FORME L.410mm	SOPOR. FORMA L.410mm
15	B0121104	1	BRACCIO L.700mm	700mm ARM SUPPORT	ARMSHALTER L.700mm	BRAS SUPP FORME L.700mm	SOPOR. FORMA L.700mm
14	B0121108	1	DISTANZIALE	SPACER	ABSTANDSTUCK	ENTRETOISE	RIOSTRA
13	B0121107	1	FELTRO	FELT	FILZ	MOLLETON	FIELTRO
12	B0121103	1	FLANGIA FORMA	BUCK FLANGE	FORMFLANSCH	FLASQUE FORME	FORMA ARANDELA
11	B0121102	1	FLANG. SUPPORTO	SUPPORT FLANGE	HALTERFLANSCH	FLASQUE SUPPORT	SOPOR. ARANDELA
10	B0111104	1	PERNO	PIVOT	STIFT	PIVOT FIXATION	PERNO
9	B0111102	1	DISCO	DISC	SCHEIBE	DISQUE	DISCO
8	B0111101	1	CURVA	CURVE	VERBINDUNGSTELLE	COURBE	CURVA
7	A2122529	1	SQUADRETTA DX	PLATE	SCHAUFEL	EQUERRE DROITE	ESCUADRA DERECHA.
6	A2122528	1	SQUADRETTA SX	PLATE	SCHAUFEL	EQUERRE GAUCHE	ESCUADRA IZQ.
5	A2122514	1	PERNO	HINGE	STIFT	PIVOT	PERNO
4	35293005	1	CUSCINETTO	BEARING	LAGER	PALLIER	COIJNETE
3	0250321	2	GUARNIZIONE	GASKET	DICHTUNG	JOINT	EMPAQUETADURA
2	0240114	1	MOLLA	SPRING	FEDER	RESSORT	MUELLE
1	0060208	1	VITE M6x16	SCREW	SCHRAUBE	VIS	TORNILLO
Pos.	Part. Code	Q.ty	Denominazione	Description	Beschreibung	Designation	Descripción
	B012		BUCK SUPPORT L.410mm SUPPORTO FORMA L.410mm				ed2007
	B010		BUCK SUPPORT L.700mm SUPPORTO FORMA L.700 mm				ed2007



6	B142	B4011012	1	COPERTURA SPECIALE	DELUXE COVER	SPEZIELL BEZUG	COUVERTURE SPÉCIALE	COBERTURA ESPECIAL	
	B141	B4011010	1	COPERTURA NORMALE	REGULAR COVER	NORMAL BEZUG	COUVERTURE NORMALE	COBERTURA DE SERIE	
5		B4011009	1	LAMIERA COPERTURA	METAL SHEET	STAHLBLECH	TOLE COUVERTURE	PLANCHA COBERT.	
4		B4011007	1	BACINELLA	BASIN	SCHALE	BASSIN	CUBETA	
3		B4011006	1	FLANGIA	FLANGE	FLANSCH	FLASQUE	ARANDELA	
2		B0121109	1	DISTANZIALE	SPACER	ABSTANDSTUCK	ENTRETOISE	RIOSTRA	
1		0250321	1	GUARNIZIONE	GASKET	DICHTUNG	JOINT	EMPAQUETADURA	
Pos.	Type	Part. Code	Q.ty	Denominazione	Description	Beschreibung	Designation	Descripción	
B141, B142		SLEEVE ARM - FORMA MANICA						ed4002	



ED. 0506

4	T002009	1	PRONTO TOP	PRONTO TOP	PRONTO TOP	PRONTO TOP	PRONTO TOP	
3	B4011006	1	FLANGIA	FLANGE	FLANSCH	FLASQUE	ARANDELA	
2	B0121109	1	DISTANZIALE	SPACER	ABSTANDSTUCK	ENTRETOISE	RIOSTRA	
1	0250321	1	GUARNIZIONE	GASKET	DICHTUNG	JOINT	EMPAQUETADURA	
Pos.	Part. Code	Q.ty	Denominazione	Description	Beschreibung	Designation	Descripción	
B304		SLEEVE HEAD BUCK - FORMA GIRO MANICA					ed0506	

Dealer

--

Manufacturer

--

Document identification

Edition:	3007
Date created:	24/07/2007
Date last edited:	29/11/2007
Document code:	FIT2-WC-ed3007