

Self service FIT SISTEM

PNC	Model	Ref	Page	Notes
320003	FS07C	a	1-2	FIT SYSTEM 750 mm 2 gn without cup board
320004	FS11C	b	1-2	FIT SYSTEM 1125 mm 3 gn without cup board
320005 02	FS11C2	d	1-2	FIT SYSTEM 1500 mm 4 gn with hot cup board
320006	FS15C	c	1-2	FIT SYSTEM 1125 mm 3 gn without cup board
320007 02	FS15C2	e	1-2	FIT SYSTEM 1500 mm 4 gn with hot cup board

Index
 Pag. 1 Cupboard and components
 2 Spare parts list

Indice
 Mobile e componenti
 Lista ricambi

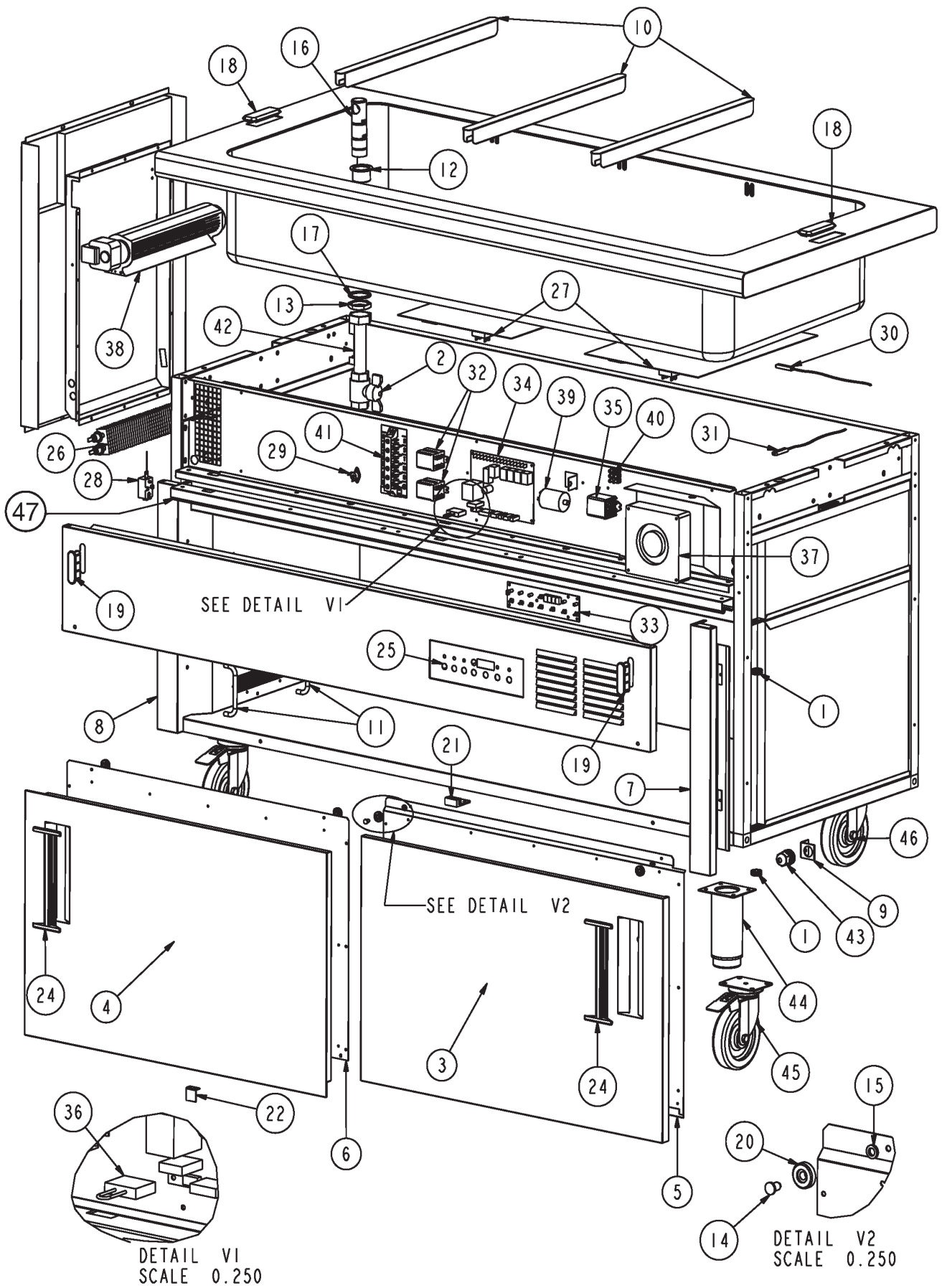
Brand / Marchio: MULTIBRAND
Factory code: 3PDX

OS / DOC

date 02-2006

Ed. 2"

595320600



??????	32006									
??????	595320600	???????? 2					Cupboard and components			
.		Alias		S			.			(Euro)
0001	0PE013								a,b,c,d,e	
0002	032459						BALL VALVE; 3/4" FF		a,b,c,d,e	25,63
0003	0PE003								c	
0004	0PE005						DOOR; SX FS11/C2		c	116,70
0005	0PE007								c	
0006	0PE009								c	
0009	0PE012								a,b,c,d,e	
0010	032168						CROSSPIECE		a,b,c,d,e	32,78
0011	032128		0PE733				CHROME-PLATED HANDLE; INTERAXISX 96MM		c,e	
0012	032244						DRAIN		a,b,c,d,e	17,00
0013	032245						LOCK NUT		a,b,c,d,e	9,34
0014	099990			S			PIVOT; FOR BEARING		c,e	13,48
0015	0PE015			S			SPACER		c,e	19,89
0016	0PE016			S			OVERFLOW CONNECTOR; MAX/MIN		a,b,c,d,e	32,78
0017	032460			S			GASKET		a,b,c,d,e	1,36
0018	038036						PLUG		a,b,c,d,e	
0019	038049						PLUG		a,b,c,d,e	19,29
0020	0PE017			S			BEARING		c,e	10,29
0021	0PE018						DOOR GUIDE; LOWER		c,e	88,81
0022	0PE019				D		SLIDING SHOE; LOWER; F/ DOOR		c,e	39,79
0024	037804			S			HANDLE; DOOR		c,e	12,84
0025	088164						SMALL PLATE		c,e	130,90
0026	0PE022						HEATING ELEMENT; 750W 230V		c,e	241,60
0027	088274			S	A		ADHESIVE HEATING ELEMENT; 220V-1000W		a,b,c,d,e	172,60
0028	031482						SAFETY THERMOSTAT		c,e	34,67
0029	0PE024				A		THERMOSTAT; 35 C-50 C		a,b,c,d,e	25,98
0030	088278		087959				PROBE; TYPE NTC22K		b,c,e	
0031	087959			S	A		PROBE; TYPE NTC22K; L=1600MM		a,c,d,e	32,38
0032	083215						RELAY; 60.62.8.230		c,e	25,12
0033	087481			S	A		USER INTERFACE BOARD; PREC10		a,b,c,d,e	100,80
0034	087946		092598		A		PCB		a,c,d,e	
0035	088197			S	A		RELAY; 400V 16A		a,b,c,d,e	36,75
0036	0PE029						CONNECTOR		a,b,c,d,e	6,36
0037	0PE030						FAN		a,b,c,d,e	116,70
0038	091301						CROSS FLOW FAN		c,e	155,30
0039	084987			S			STRAINER		a,b,c,d,e	15,37

??????	320006									
??????	595320600	???????? 2	Cupboard and components							
.		Alias		S			.			(Euro)
0040	0PE033								a,b,c,d,e	
0041	032669						TERMINAL BOARD		a,b,c,d,e	14,53
0042	032461			S			HOSE		a,b,c,d,e	46,08
0043	0PE034								a,b,c,d,e	
0044	037437			S			FOOT; ASS.		a,b,c,d,e	20,81
0045	033130		092275				CASTOR WITH BRAKE; W/ PLATE		a,b,c,d,e	
0046	033135		092274				CASTOR WITHOUT BRAKE; W/ PLATE		a,b,c,d,e	