

IM2314

---



## List of issues

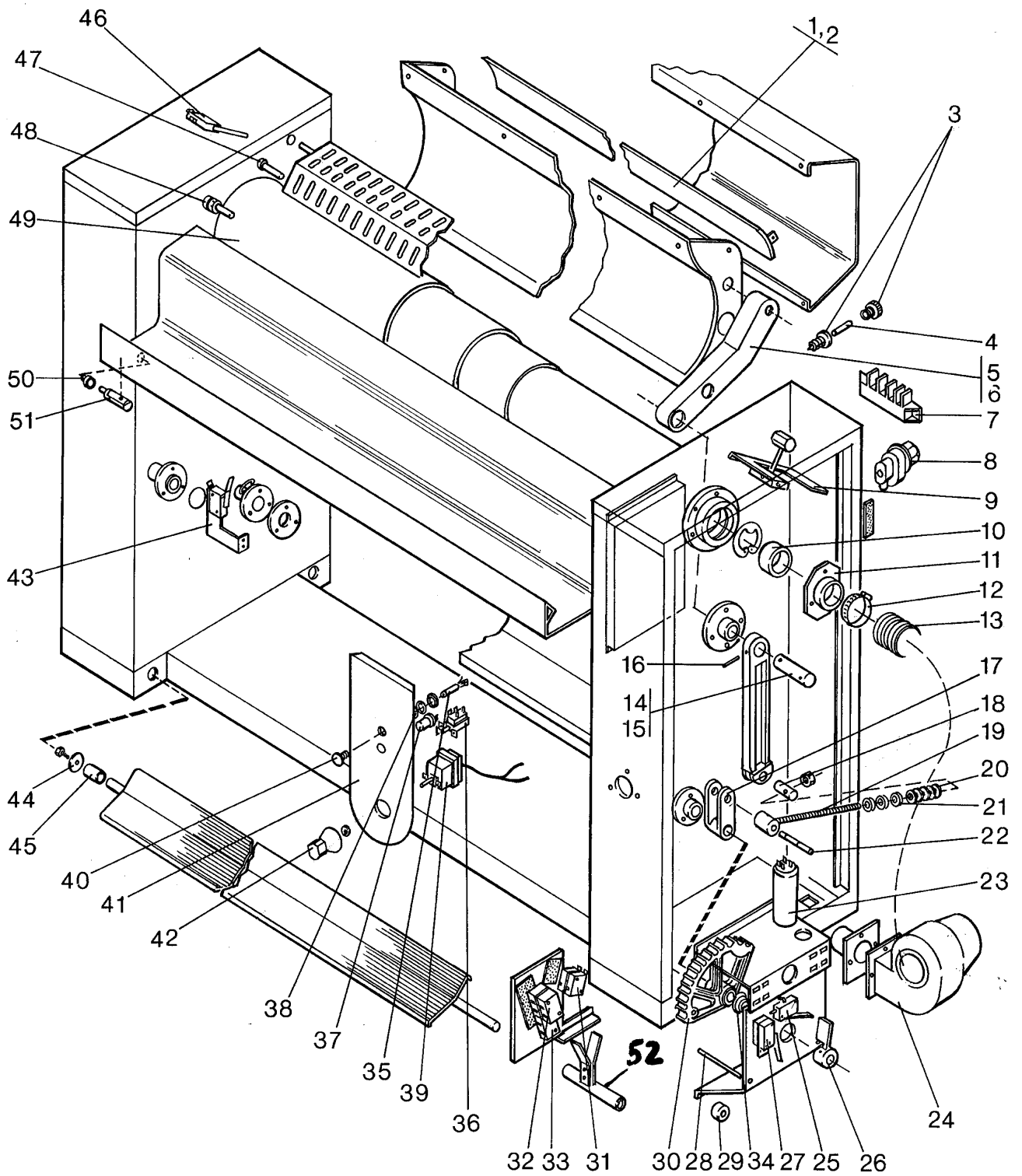
### IM2314

| Illustration | Page | Table of contents                        |
|--------------|------|--|
| 100775       | 11   | Chest and roller                         |
| 100776       | 19   | Right side with control panel            |
| 100777       | 15   | Left side with drive motor               |
| 100778       | 23   | Gear segment                             |
| 100779       | 21   | Control unit                             |
| 100780       | 7    | Main exploded view (1) (special version) |
| 100781       | 9    | Main exploded view (2) (special version) |
| 100782       | 25   | Coin meter components                    |
| 100783       | 27   | Central control                          |
| 100882       | 31   | Main exploded view, chest and roller     |
| 100883       | 39   | Right side with control panel            |
| 100884       | 35   | Left side with drive motor               |
| 100885       | 41   | Worm transmission for chest              |
| 100886       | 43   | Control unit                             |
| 100887       | 45   | Coin meter components                    |
| 100888       | 47   | Central control                          |



## IM2314

| Table of contents                        | Innehållsförteckning                   | Page/Sida |
|--|--|-----------|
| Main exploded view (1) (special version) | Huvudsprängskiss (1) (special version) | 7         |
| Main exploded view (2) (special version) | Huvudsprängskiss (2) (special version) | 9         |
| Chest and roller                         | Stryksula och vals                     | 11        |
| Left side with drive motor               | Vänster sida med drivmotor             | 15        |
| Right side with control panel            | Höger sida med manöverpanel            | 19        |
| Control unit                             | Automatenhet                           | 21        |
| Gear segment                             | Kuggsegment                            | 23        |
| Coin meter components                    | Myntmätardetaljer                      | 25        |
| Central control                          | Centralstyrning                        | 27        |
| *Main exploded view, chest and roller    | Huvudsprängskiss, stryksula och vals   | 31        |
| Left side with drive motor               | Vänster sida med drivmotor             | 35        |
| Right side with control panel            | Höger sida med manöverpanel            | 39        |
| Worm transmission for chest              | Snäckväxel för stryksula               | 41        |
| Control unit                             | Automatenhet                           | 43        |
| Coin meter components                    | Myntmätardetaljer                      | 45        |
| Central control                          | Centralstyrning                        | 47        |

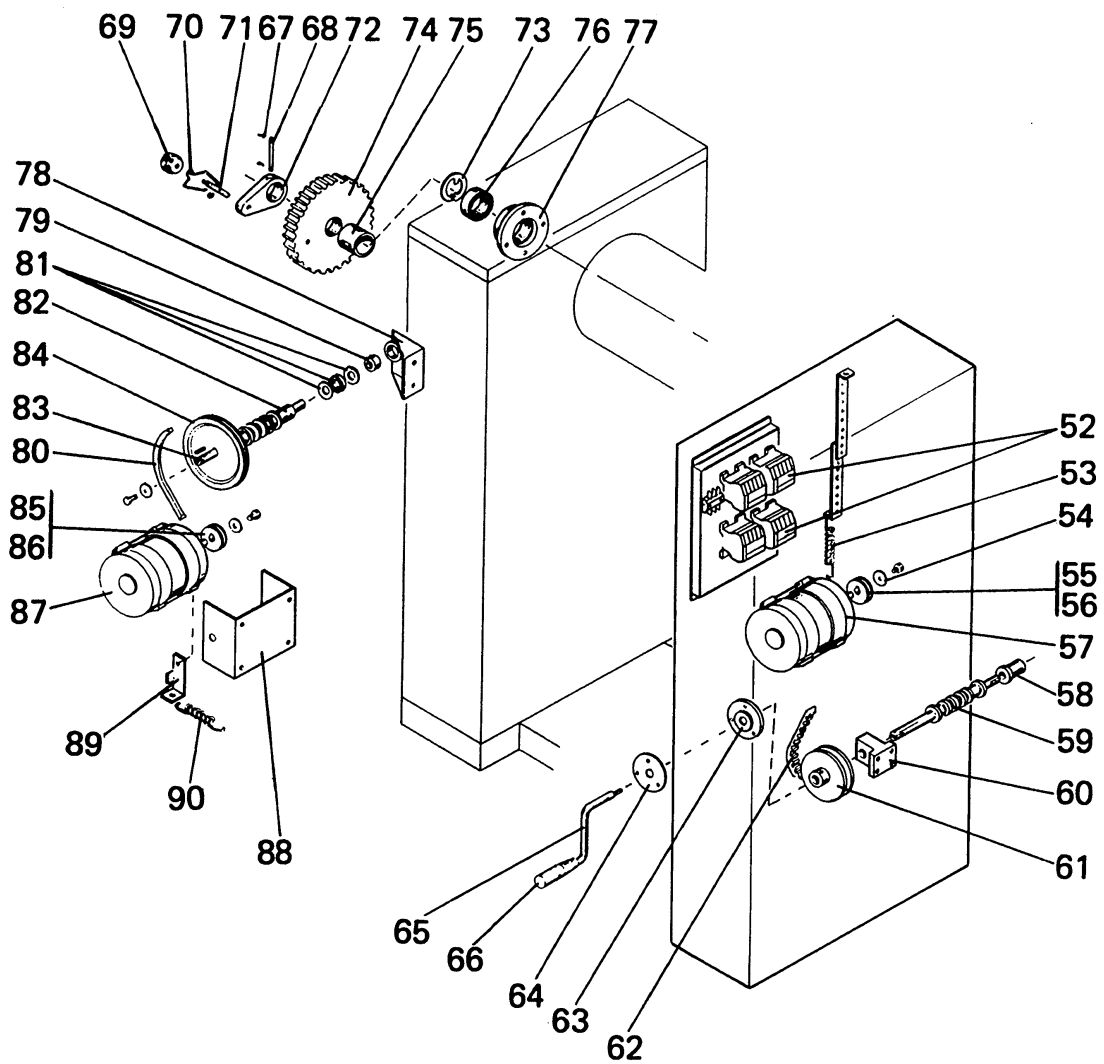


**IM2314****Main exploded view (1) (special version)**

|                 |          |          |             |
|-----------------|----------|----------|-------------|
| Illustration    | Issue    | Month    | Year        |
| Illustration    | Utgåva   | Månad    | År          |
| <b>100780/2</b> | <b>4</b> | <b>5</b> | <b>2002</b> |

**Huvudsprängskiss (1) (special version)**

| Item Pos. | Qua. Ant. | Art.No Art.nr | Description           | Benämning        | Info Info | Notes Anmärkning |
|-----------|-----------|---------------|-----------------------|------------------|-----------|------------------|
| 1         | 3         | 489 7144-01   | Heating element       | Värmeelement     | 1,2       | 2400W 230V       |
| 2         | 3         | 489 7152-01   | Heating element       | Värmeelement     | 1,2       | 2400W 250V       |
| 3         | 1         | 762 8801-22   | Fuse holder           | Säkringshållare  | 3         |                  |
| 4         | 1         | 471 9004-45   | Precision fuse        | Finsäkring       | 1,2       | 1,25A            |
| 5         | 1         | 489 7179-12   | Ironing arm           | Strykarm         | 3         | Right            |
| 6         | 1         | 489 7179-24   | Ironing arm           | Strykarm         | 3         | Left             |
| 7         | 1         | 489 7194-02   | Terminal block        | Klämräcke        | 3         |                  |
| 8         | 1         | 471 8752-04   | Cable gland           | Kabelgenomföring | 3         | PG16             |
| 9         | 1         | 489 5705-03   | Microswitch           | Mikrobrytare     | 1,2       |                  |
| 10        | 1         | 738 2108-04   | Ball bearing          | Kullager         | 1,2       | 6008 2RS         |
| 11        | 1         | 489 7186-08   | Evacuation connection | Utsugningstos    | 3         | Charcoal grey    |
| 12        | 2         | 736 2843-51   | Hose clamp            | Slangklämma      | 3         |                  |
| 13        | 1         | 489 7186-06   | Evacuating hose       | Utsugningsslang  | 3         | Ø83X850          |
| 14        | 1         | 489 7179-13   | Shaft                 | Axel             | 3         |                  |
| 15        | 1         | 489 7179-23   | Shaft                 | Axel             | 3         |                  |
| 16        | 4         | 721 4385-00   | Lock pin              | Spännstift       | 3         | Ø8X50            |
| 17        | 2         | 489 7179-06   | Fork arm              | Gaffelarm        | 3         |                  |
| 18        | 2         | 489 7179-15   | Tap                   | Tapp             | 3         |                  |
| 19        | 2         | 489 7179-17   | Eye bolt              | Öglebult         | 3         |                  |
| 20        | 2         | 489 7179-18   | Spring                | Fjäder           | 3         |                  |
| 21        | 2         | 489 7179-16   | Spring shoe           | Fjädersko        | 3         |                  |
| 22        | 1         | 489 7166-02   | Tap                   | Tapp             | 3         |                  |
| 23        | 1         | 489 7185-02   | Capacitor             | Kondensator      | 1         |                  |
| 24        | 1         | 489 7186-01   | Fan                   | Fläkt            | 3         |                  |
| 25        | 1         | 489 5705-03   | Microswitch           | Mikrobrytare     | 1,2       |                  |
| 26        | 2         | 489 7166-06   | Bushing               | Bussning         | 3         |                  |
| 27        | 2         | 489 5705-03   | Microswitch           | Mikrobrytare     | 1,2       |                  |
| 28        | 2         | 489 7166-08   | Shaft                 | Axel             | 3         |                  |
| 29        | 1         | 489 7166-12   | Rubber bushing        | Gummibussning    | 3         |                  |
| 30        | 1         | 489 7166-20   | Gear segment          | Kuggsegment      | 3         |                  |
| 31        | 2         | 471 9603-05   | Microswitch           | Mikrobrytare     | 1,2       |                  |
| 32        | 2         | 471 9603-05   | Microswitch           | Mikrobrytare     | 1,2       |                  |
| 33        | 1         | 471 9603-05   | Microswitch           | Mikrobrytare     | 1,2       |                  |
| 34        | 1         | 489 7166-07   | Bushing               | Bussning         | 3         |                  |
| 35        | 1         | 763 1001-01   | Pilot lamp            | Signallampa      | 1,2       | 230-240V         |
| 36        | 1         | 489 7085-02   | Push-button           | Tryckknapp       | 1,2       |                  |
| 37        | 1         | 489 7085-12   | Button                | Knopp            | 3         | White            |
| 38        | 1         | 489 7085-11   | Button                | Knopp            | 3         | Red              |
| 39        | 1         | 489 7085-01   | Thermostat            | Termostat        | 1,2       |                  |
| 40        | 1         | 763 1804-01   | Lamp glass            | Lampeglas        | 3         | White            |
| 41        | 1         | 487 1235-01   | Sign                  | Skylt            | 3         | Nyborg           |
| 42        | 1         | 472 8534-03   | Button                | Knopp            | 3         | Black            |
| 43        | 1         | 489 7208-01   | Flange                | Fläns            | 3         |                  |
| 44        | 1         |               | Washer                | Spännbricka      |           | Ø6/Ø20/1,5       |
| 45        | 1         | 489 7184-10   | Spacer sleeve         | Distanshylla     | 3         |                  |
| 46        | 1         | 489 5705-03   | Microswitch           | Mikrobrytare     | 1,2       |                  |
| 47        | 2         | 489 7182-04   | Tap                   | Tapp             | 3         |                  |
| 48        | 2         | 489 7182-04   | Tap                   | Tapp             | 3         |                  |
| 49        | 1         | 489 7159-04   | Felt                  | Filt             | 3         |                  |
| 50        | 2         | 489 7182-07   | Bushing               | Bussning         | 3         |                  |
| 51        | 2         | 489 7182-03   | Tap                   | Tapp             | 3         |                  |
| 52        | 1         | 489 7184-22   | Breaker arm           | Brytarm          | 3         |                  |



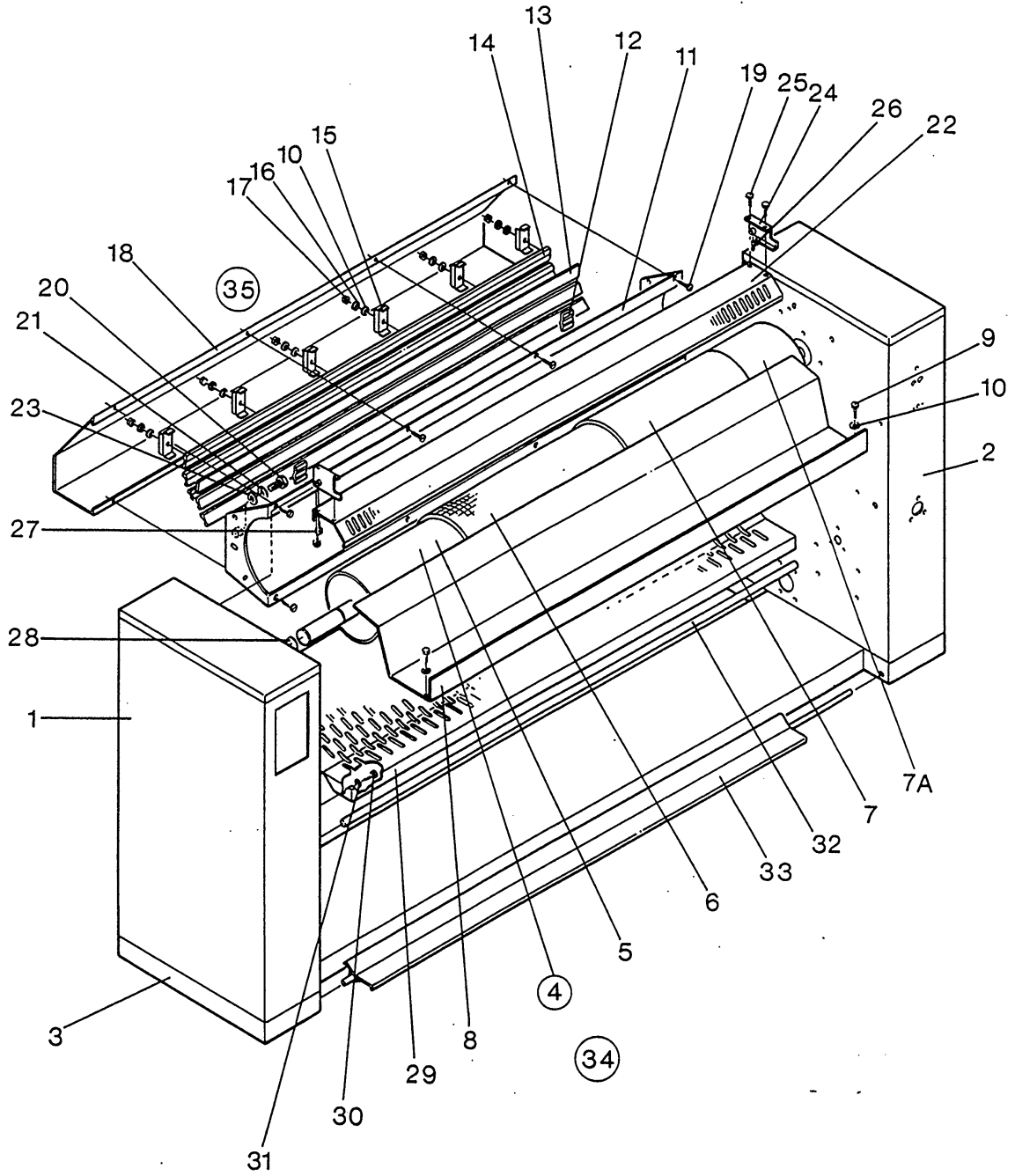


**IM2314****Main exploded view (2) (special version)**

|                 |          |          |             |
|-----------------|----------|----------|-------------|
| Illustration    | Issue    | Month    | Year        |
| Illustration    | Utgåva   | Månad    | År          |
| <b>100781/1</b> | <b>7</b> | <b>5</b> | <b>2002</b> |

**Huvudsprängskiss (2) (special version)**

| Item Pos. | Qua. Ant. | Art.No Art.nr | Description     | Benämning     | Info Info | Notes Anmärkning |
|-----------|-----------|---------------|-----------------|---------------|-----------|------------------|
| 52        | 4         | 767 5102-09   | Relay           | Relä          | 1,2       |                  |
| 53        | 1         | 489 7166-05   | Spring          | Fjäder        | 3         |                  |
| 54        | 1         |               | Washer          | Spännbricka   |           | Ø6/Ø20/1,5       |
| 55        | 1         | 489 7253-21   | Pulley          | Remskiva      | 1         | 50Hz             |
| 56        | 1         | 489 7164-10   | Pulley          | Remskiva      | 1         | 60Hz             |
| 57        | 1         | 489 7164-04   | Motor           | Motor         | 1,2       |                  |
| 58        | 2         | 489 7166-14   | Bearing bushing | Lagerbussning | 3         |                  |
| 59        | 1         | 489 7166-09   | Worm gear       | Snäcka        | 3         |                  |
| 60        | 2         | 489 7166-18   | Bearing         | Lager         | 3         |                  |
| 61        | 1         | 489 7166-21   | Pulley          | Remskiva      | 1         |                  |
| 62        | 1         | 489 7164-41   | Drive belt      | Drivrem       | 1,2       |                  |
| 63        | 1         | 489 7189-03   | Flange          | Fläns         | 3         |                  |
| 64        | 1         | 489 7189-06   | Flange          | Fläns         | 3         | Ø63X850          |
| 65        | 1         | 489 7189-05   | Handcrank       | Handvev       | 3         |                  |
| 66        | 1         | 489 7189-07   | Handle          | Handtag       | 3         |                  |
| 67        | 2         | 721 6142-01   | Pin             | Stift         | 3         | Ø1,6X20          |
| 68        | 1         | 489 7164-13   | Pin             | Stift         | 3         |                  |
| 69        | 1         | 489 7164-12   | Ball            | Kula          | 3         |                  |
| 70        | 1         | 489 7164-14   | Spring          | Fjäder        | 3         |                  |
| 71        | 1         | 489 7164-07   | Pin             | Stift         | 3         |                  |
| 72        | 1         | 489 7164-16   | Carrier         | Medbringare   | 3         |                  |
| 73        | 2         | 735 3151-10   | C-clamp         | Segersäkkring | 3         | 68X2,5           |
| 74        | 1         | 489 7164-06   | Worm wheel      | Snäckhjul     | 3         |                  |
| 75        | 1         | 489 7164-19   | Spacer sleeve   | Distanshylla  | 3         |                  |
| 76        | 1         | 738 2108-04   | Ball bearing    | Kullager      | 1,2       | 6008 2RS         |
| 77        | 2         | 489 7164-18   | Rollo support   | Valshållare   | 3         |                  |
| 78        | 2         | 489 7164-02   | Bearing housing | Lagerhus      | 3         |                  |
| 79        | 2         | 489 7164-24   | Bearing         | Lager         | 3         |                  |
| 80        | 1         | 489 7164-01   | Drive belt      | Drivrem       | 1,2       | -93/1889         |
|           | 1         | 489 7164-41   | Drive belt      | Drivrem       | 1,2       | 93/1890-         |
| 81        | 1         | 487 7061-34   | Bearing         | Lager         | 1,2       |                  |
| 82        | 1         | 489 7166-29   | Worm gear       | Snäcka        | 3         |                  |
| 83        | 1         | 487 5125-02   | Wedge           | Kil           | 3         | 5X5X20           |
| 84        | 1         | 489 7238-14   | Pulley          | Remskiva      | 1         |                  |
| 85        | 1         | 489 0112-09   | Pulley          | Remskiva      | 1         | 50Hz Complete    |
|           | 1         | 489 7253-21   | Pulley          | Remskiva      | 1         | 50Hz             |
| 86        | 1         | 489 7253-31   | Pulley          | Remskiva      | 1         | 60Hz             |
| 87        | 1         | 489 7164-04   | Motor           | Motor         | 1,2       |                  |
| 88        | 1         | 489 7164-15   | Motor bracket   | Motorkonsol   | 3         |                  |
| 89        | 1         | 489 7164-36   | Spring holder   | Fjäderhållare | 3         |                  |
| 90        | 1         | 489 7164-23   | Spring          | Fjäder        | 3         |                  |



100775

| Issue | Month | Year |
|-------|-------|------|
| 02    | 11    | 90   |

IM2314 -90/00806

Chest and roller

| Illustration | Issue  | Month | Year |
|--------------|--------|-------|------|
| Illustration | Utgåva | Månad | År   |
| 100775/2     | 5      | 8     | 2010 |

Stryksula och vals

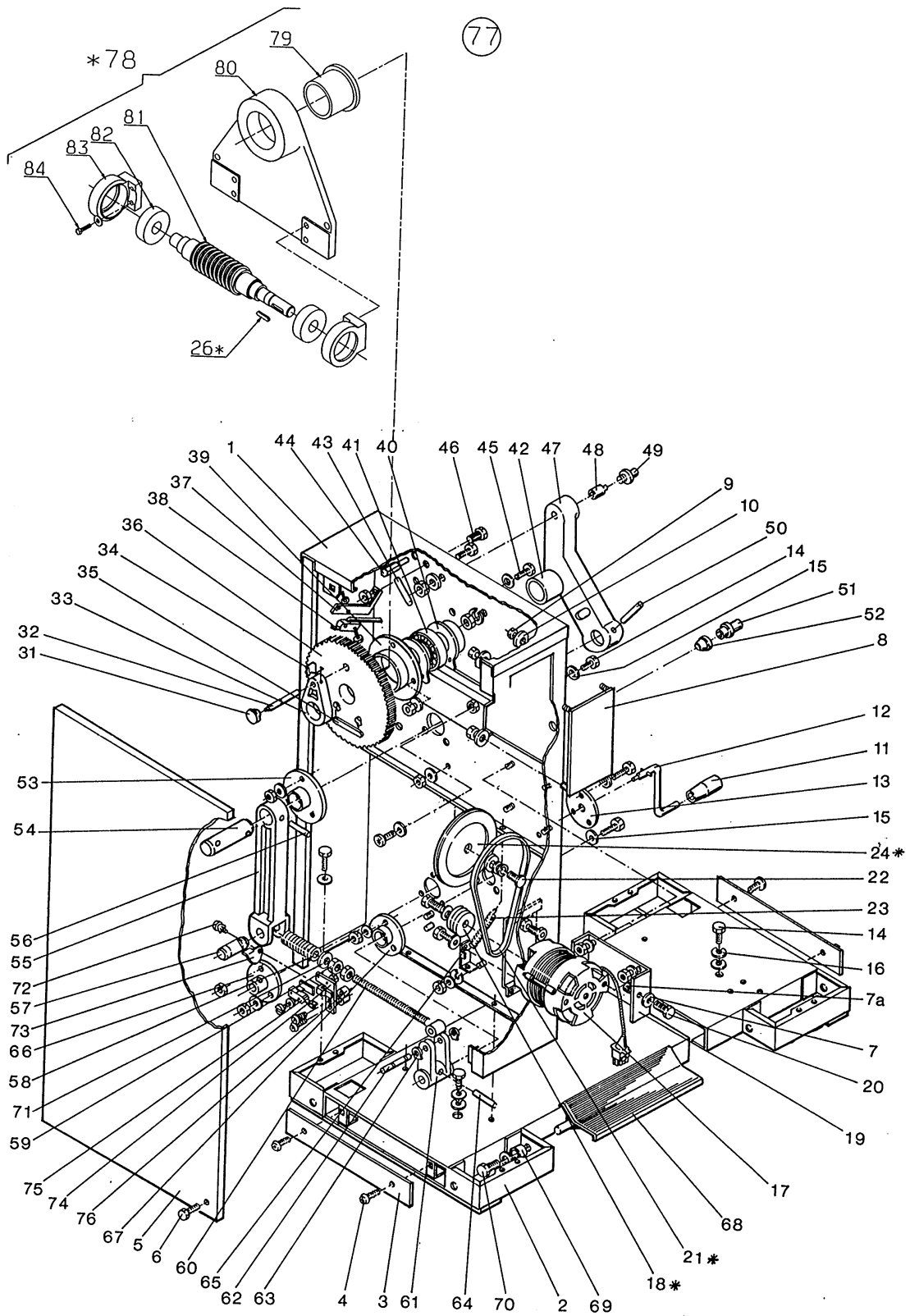
| Item Pos. | Qua. Ant. | Art.No Art.nr | Description       | Benämning      | Info Info | Notes Anmärkning            |
|-----------|-----------|---------------|-------------------|----------------|-----------|-----------------------------|
| 1         | 1         |               | Bracket           | Konsol         |           | Left See illustr. 100777    |
| 2         | 1         |               | Bracket           | Konsol         |           | Right See illustr. 100776   |
| 3         | 1         |               | Foundation        | Fundament      |           | See illustr. 100777, 100776 |
| 4         | 1         | 489 7159-00   | Roller            | Vals           | 3         | Complete                    |
| 5         | 1         |               | •Roller           | •Vals          |           |                             |
| 6         | 1         | 489 7159-01   | •Steel wool       | •Stålull       | 3         |                             |
| 7         | 1         | 489 7159-04   | •Felt             | •Filt          | 3         |                             |
| 7A        | 1         | 489 7159-05   | •Mangle sheet     | •Mangelduk     | 3         | 1440x1420                   |
| 8         | 1         | 489 7182-02   | Feeding table     | Immatningsbord | 3         | Brown                       |
|           | 1         | 489 7182-08   | Feeding table     | Immatningsbord | 3         | Charcoal grey               |
| 9         | 2         |               | Screw             | Skruv          |           | M6X12                       |
| 10        | 14        |               | Disc              | Skiva          |           | Ø6,4/Ø12,5                  |
| 11        | 1         | 489 7155-00   | Ironing chest     | Stryksula      | 1         | Chromium                    |
| 12        | 2         | 489 7064-03   | Clips             | Clips          | 3         |                             |
| 13        | 3         | 489 7144-01   | Heating element   | Värmeelement   | 1,2       | 2400W 230V                  |
|           | 3         | 489 7152-01   | Heating element   | Värmeelement   | 1,2       | 2400W 250V                  |
| 14        | 3         | 489 7153-02   | Strip             | List           | 3         |                             |
| 15        | 12        | 489 7064-02   | Tensioner plate   | Spännplatta    | 3         |                             |
| 16        | 12        |               | Spring washer     | Fjäderbrica    |           | M6                          |
| 17        | 12        |               | Nut               | Mutter         |           | M6                          |
| 18        | 1         | 489 7153-05   | Screen            | Skärm          | 3         | White                       |
|           | 1         | 489 7153-06   | Screen            | Skärm          | 3         | Red                         |
|           | 1         | 489 7153-08   | Screen            | Skärm          | 3         | Charcoal grey               |
|           | 1         | 489 7153-62   | Screen            | Skärm          | 3         | Yellow                      |
|           | 1         | 489 7153-63   | Screen            | Skärm          | 3         | Beige                       |
| 19        | 8         |               | Screw             | Skruv          |           | M5X16                       |
| 20        | 2         |               | Screw             | Skruv          |           | M16X50                      |
| 21        | 2         |               | Tray              | Bricka         |           | M16                         |
| 22        | 1         | 489 7217-02   | Finger protection | Fingerskydd    | 3         | Brown                       |
|           | 1         | 489 7217-06   | Finger protection | Fingerskydd    | 3         | Red                         |
|           | 1         | 489 7217-08   | Finger protection | Fingerskydd    | 3         | Charcoal grey               |
|           | 1         | 489 7188-61   | Finger protection | Fingerskydd    | 3         | Grey                        |
| 23        | 1         | 489 7187-02   | Fitting           | Beslag         | 3         | Left                        |
| 24        | 1         | 489 7187-01   | Fitting           | Beslag         | 3         | Right                       |
| 25        | 4         |               | Screw             | Skruv          |           | M4x10                       |
| 26        | 2         |               | Screw             | Skruv          |           | M4x10                       |
| 27        | 4         |               | Nut               | Mutter         |           | M4                          |
| 28        | 1         | 489 7159-03   | Cover             | Avskärmning    | 3         |                             |
| 29        | 1         | 489 7183-05   | Shelf             | Hylla          | 3         | White                       |
|           | 1         | 489 7183-06   | Shelf             | Hylla          | 3         | Red                         |
|           | 1         | 489 7183-08   | Shelf             | Hylla          | 3         | Charcoal grey               |
|           | 1         | 489 7183-62   | Shelf             | Hylla          | 3         | Yellow                      |
|           | 1         | 489 7183-63   | Shelf             | Hylla          | 3         | Beige                       |
| 30        | 6         |               | Screw             | Skruv          |           | M8X12                       |
| 31        | 6         |               | Disc              | Skiva          |           | Ø8,4/Ø25                    |
| 32        | 1         | 489 7179-19   | Shaft             | Axel           | 3         |                             |
| 33        | 1         | 489 7228-02   | Pedal             | Pedal          | 3         | Brown                       |
|           | 1         | 489 7228-08   | Pedal             | Pedal          | 3         | Charcoal grey               |
|           | 1         | 489 7228-61   | Pedal             | Pedal          | 3         | Graphitegrey                |
| 34        | 1         | 489 7204-02   | Cable set         | Ledningssats   | 3         | Roller                      |
| 35        | 1         | 489 7197-02   | Cable set         | Ledningssats   | 3         | Ironing chest               |



**IM2314 -90/00806****Left side with drive motor****Vänster sida med drivmotor**

| Illustration    | Issue    | Month    | Year        |
|-----------------|----------|----------|-------------|
| Illustration    | Utgåva   | Månad    | År          |
| <b>100777/3</b> | <b>4</b> | <b>5</b> | <b>2002</b> |

| Item Pos. | Qua. Ant. | Art.No Art.nr      | Description   | Benämning   | Info Info | Notes Anmärkning  |
|-----------|-----------|--------------------|---------------|-------------|-----------|-------------------|
| <b>1</b>  | 1         | <b>489 7224-05</b> | Bracket       | Konsol      | 3         | White             |
|           | 1         | <b>489 7224-06</b> | Bracket       | Konsol      | 3         | Red               |
|           | 1         | <b>489 7224-08</b> | Bracket       | Konsol      | 3         | Charcoal grey     |
|           | 1         | <b>489 7224-62</b> | Bracket       | Konsol      | 3         | Yellow            |
|           | 1         | <b>489 7224-63</b> | Bracket       | Konsol      | 3         | Beige             |
| <b>2</b>  | 1         | <b>489 7222-05</b> | Foundation    | Fundament   | 3         | White             |
|           | 1         | <b>489 7222-06</b> | Foundation    | Fundament   | 3         | Red               |
|           | 1         | <b>489 7222-08</b> | Foundation    | Fundament   | 3         | Charcoal grey     |
|           | 1         | <b>489 7222-62</b> | Foundation    | Fundament   | 3         | Yellow            |
|           | 1         | <b>489 7222-63</b> | Foundation    | Fundament   | 3         | Beige             |
| <b>3</b>  | 2         | <b>489 7192-05</b> | Cover         | Avskärmning | 3         | White             |
|           | 2         | <b>489 7192-06</b> | Cover         | Avskärmning | 3         | Red               |
|           | 2         | <b>489 7192-08</b> | Cover         | Avskärmning | 3         | Charcoal grey     |
|           | 2         | <b>489 7192-62</b> | Cover         | Avskärmning | 3         | Yellow            |
|           | 2         | <b>489 7192-63</b> | Cover         | Avskärmning | 3         | Beige             |
| <b>4</b>  | 14        |                    | Screw         | Skruv       |           | M5X25             |
| <b>5</b>  | 1         | <b>489 7191-05</b> | Screen        | Skärm       | 3         | White             |
|           | 1         | <b>489 7191-06</b> | Screen        | Skärm       | 3         | Red               |
|           | 1         | <b>489 7191-08</b> | Screen        | Skärm       | 3         | Charcoal grey     |
|           | 1         | <b>489 7191-62</b> | Screen        | Skärm       | 3         | Yellow            |
|           | 1         | <b>489 7191-63</b> | Screen        | Skärm       | 3         | Beige             |
| <b>6</b>  | 4         |                    | Screw         | Skruv       |           | M5X25             |
| <b>7</b>  | 2         |                    | Spring washer | Fjäderbrica |           | M8                |
| <b>7A</b> | 2         | <b>489 7164-25</b> | Spacer        | Distans     | 3         |                   |
| <b>8</b>  | 1         | <b>489 7038-05</b> | Cover         | Avskärmning | 3         | White             |
|           | 1         | <b>489 7038-06</b> | Cover         | Avskärmning | 3         | Red               |
|           | 1         | <b>489 7038-08</b> | Cover         | Avskärmning | 3         | Charcoal grey     |
|           | 1         | <b>489 7038-62</b> | Cover         | Avskärmning | 3         | Yellow            |
|           | 1         | <b>489 7038-63</b> | Cover         | Avskärmning | 3         | Beige             |
| <b>9</b>  | 4         |                    | Nut           | Mutter      |           | M4                |
| <b>10</b> | 5         |                    | Disc          | Skiva       |           | M4                |
| <b>11</b> | 1         | <b>489 7189-07</b> | Handle        | Handtag     | 3         |                   |
| <b>12</b> | 1         | <b>489 7189-05</b> | Handcrank     | Handvev     | 3         |                   |
| <b>13</b> | 1         | <b>489 7189-06</b> | Flange        | Fläns       | 3         | Ø63X850           |
| <b>14</b> | 12        |                    | Screw         | Skruv       |           | M6X20             |
| <b>15</b> | 18        |                    | Disc          | Skiva       |           | Ø6,4/Ø12,5        |
| <b>16</b> | 4         |                    | Spring washer | Fjäderbrica |           | M6                |
| <b>17</b> | 1         | <b>489 7164-04</b> | Motor         | Motor       | 1,2       |                   |
| <b>18</b> | 1         | <b>489 7164-09</b> | Pulley        | Remskiva    | 1         | 50Hz -9107/001225 |
|           | 1         | <b>489 7253-21</b> | Pulley        | Remskiva    | 1         | 50Hz 9107/001226- |
|           | 1         | <b>489 7164-10</b> | Pulley        | Remskiva    | 1         | 60Hz -9107/001225 |
|           | 1         | <b>489 7253-31</b> | Pulley        | Remskiva    | 1         | 60Hz 9107/001226- |
|           | 1         | <b>489 7164-15</b> | Motor bracket | Motorkonsol | 3         |                   |
| <b>20</b> | 2         |                    | Screw         | Skruv       |           | M8X12             |
| <b>21</b> | 1         | <b>489 7164-41</b> | Drive belt    | Drivrem     | 1,2       |                   |
| <b>22</b> | 2         |                    | Screw         | Skruv       |           | M4x10             |
| <b>23</b> | 1         | <b>489 7164-23</b> | Spring        | Fjäder      | 3         |                   |
| <b>24</b> | 1         | <b>489 7238-14</b> | Pulley        | Remskiva    | 1         |                   |
| <b>25</b> |           |                    |               |             |           | Not used          |
| <b>26</b> | 1         | <b>487 1525-02</b> | Wedge         | Kil         | 3         | 5X5X20            |
| <b>27</b> | 1         | <b>489 7166-24</b> | Worm gear     | Snäcka      | 3         |                   |
| <b>28</b> |           |                    |               |             |           | Not used          |
| <b>29</b> |           |                    |               |             |           | Not used          |
| <b>30</b> |           |                    |               |             |           | Not used          |
| <b>31</b> | 1         | <b>489 7164-12</b> | Ball          | Kula        | 3         |                   |
| <b>32</b> | 1         | <b>489 7164-07</b> | Pin           | Stift       | 3         |                   |
| <b>33</b> | 1         | <b>489 7164-16</b> | Carrier       | Medbringare | 3         |                   |
| <b>34</b> | 1         | <b>489 7164-14</b> | Spring        | Fjäder      | 3         |                   |
| <b>35</b> | 1         | <b>489 7164-13</b> | Pin           | Stift       | 3         |                   |



77=Kit including all numbers  
marked with \*

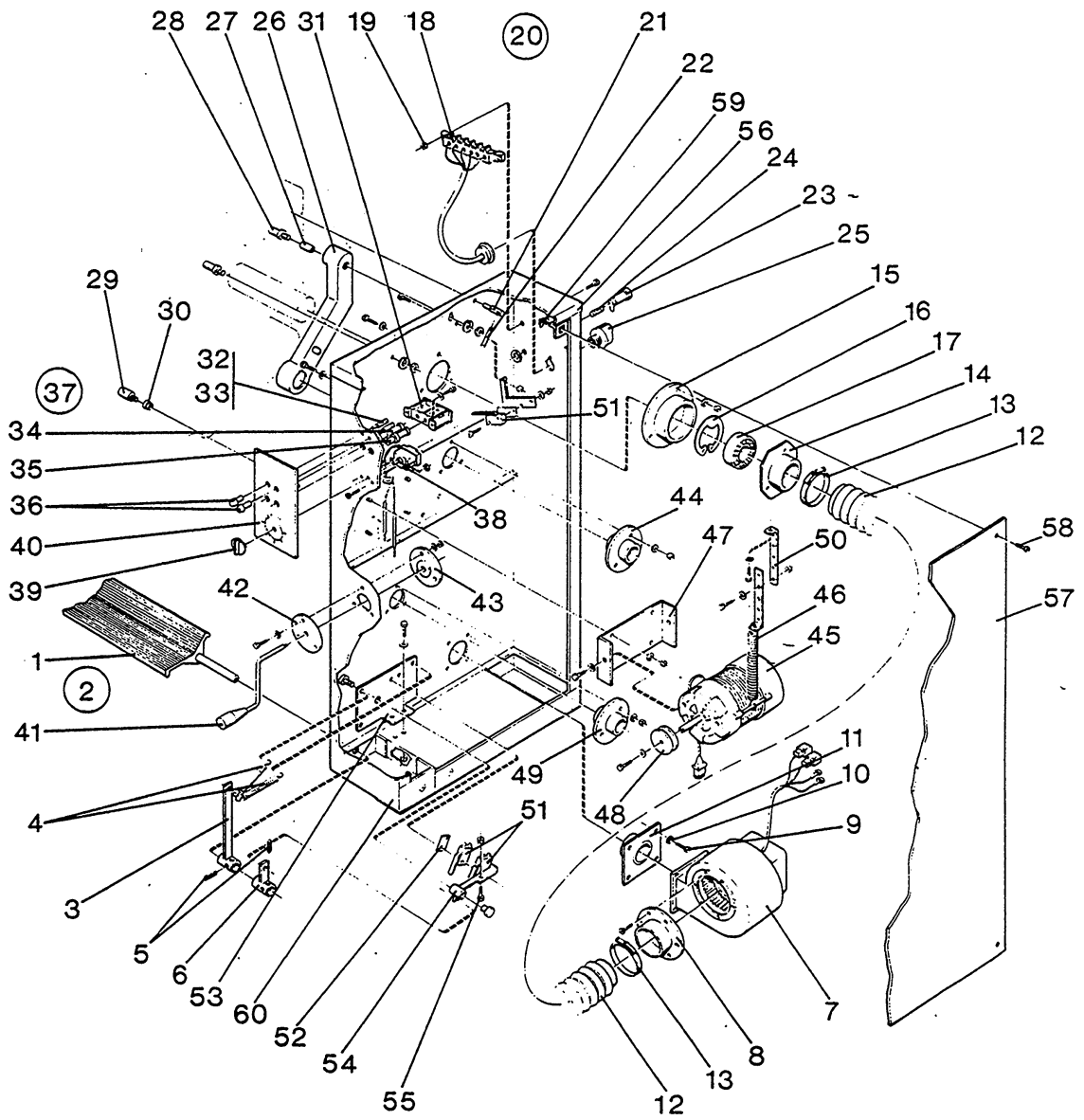
## IM2314 -90/00806

## Left side with drive motor

## Vänster sida med drivmotor

|                 |          |          |             |
|-----------------|----------|----------|-------------|
| Illustration    | Issue    | Month    | Year        |
| Illustration    | Utgåva   | Månad    | År          |
| <b>100777/3</b> | <b>4</b> | <b>5</b> | <b>2002</b> |

| Item Pos. | Qua. Ant. | Art.No Art.nr | Description      | Benämning        | Info Info | Notes Anmärkning    |
|-----------|-----------|---------------|------------------|------------------|-----------|---------------------|
| 36        | 1         | 489 7164-06   | Worm wheel       | Snäckhjul        | 1         |                     |
| 37        | 1         | 489 7187-07   | Fitting          | Beslag           | 3         |                     |
| 38        | 2         | 489 5705-03   | Microswitch      | Mikrobrytare     | 1,2       |                     |
| 39        | 1         | 489 7164-18   | Rollo support    | Valshållare      | 3         |                     |
| 40        | 2         | 735 3151-10   | C-clamp          | Segersäkkring    | 3         | 68X2,5              |
| 41        | 1         | 738 2108-04   | Ball bearing     | Kullager         | 1,2       | 6008 2RS            |
| 42        | 1         | 489 7164-19   | Spacer sleeve    | Distanshylla     | 3         |                     |
| 43        | 1         | 489 7187-08   | Pin              | Stift            | 3         | Ø6,0                |
| 44        | 1         | 489 7187-06   | Tap              | Tapp             | 3         |                     |
| 45        | 19        |               | Screw            | Skruv            |           | M8X12               |
| 46        | 2         |               | Screw            | Skruv            |           | M5X10               |
| 47        | 1         | 489 7179-23   | Shaft            | Axel             | 3         | -8912/000492        |
|           | 1         | 489 7179-24   | Ironing arm      | Strykarm         | 3         | Left 8912/000493-   |
| 48        | 1         | 489 7153-04   | Spacer sleeve    | Distanshylla     | 3         |                     |
| 49        | 2         | 489 7182-04   | Tap              | Tapp             | 3         |                     |
| 50        | 1         |               | Screw            | Skruv            |           | M8X12               |
| 51        | 1         | 489 7182-03   | Tap              | Tapp             | 3         |                     |
| 52        | 1         | 489 7182-07   | Bushing          | Bussning         | 3         |                     |
| 53        | 1         | 489 7179-02   | Bearing          | Lager            | 3         |                     |
| 54        | 1         | 489 7179-14   | Shaft            | Axel             | 3         | -8912/000492        |
|           | 1         | 489 7179-23   | Shaft            | Axel             | 3         | 8912/000493-        |
| 55        | 1         | 489 7179-08   | Fork arm         | Gaffelarm        | 3         | Charcoal grey       |
| 56        | 1         | 721 4423-00   | Pin              | Stift            | 3         | Ø10X60              |
| 57        | 1         | 489 7179-15   | Tap              | Tapp             | 3         |                     |
| 58        | 1         | 489 7179-18   | Spring           | Fjäder           | 3         |                     |
| 59        | 2         |               | Nut              | Mutter           |           | M12                 |
| 60        | 1         | 489 7179-17   | Eye bolt         | Öglebult         | 3         |                     |
| 61        | 1         | 489 7179-06   | Fork arm         | Gaffelarm        | 3         |                     |
| 62        | 1         | 489 7166-03   | Tap              | Tapp             | 3         |                     |
| 63        | 2         | 735 3114-00   | C-clamp          | Segersäkkring    | 3         | D12                 |
| 64        | 1         | 721 4385-00   | Lock pin         | Spännstift       | 3         | Ø8X50               |
| 65        | 1         | 489 7164-36   | Spring holder    | Fjäderhållare    | 3         |                     |
| 66        | 1         | 489 7189-03   | Flange           | Fläns            | 3         |                     |
| 67        | 1         | 489 7179-04   | Bearing          | Lager            | 3         |                     |
| 68        |           |               | Pedal            | Pedal            |           | See illustr. 100775 |
| 69        | 1         | 489 7184-10   | Spacer sleeve    | Distanshylla     | 3         |                     |
| 70        | 1         |               | Screw            | Skruv            |           | M6X10               |
| 71        | 1         | 489 7179-16   | Spring shoe      | Fjädersko        | 3         |                     |
| 72        | 1         | 487 1212-05   | Pop rivet        | Popnit           | 3         |                     |
| 73        | 1         | 487 1212-03   | Lock segment     | Låsegment        | 3         |                     |
| 74        | 1         | 489 7189-08   | Fitting          | Beslag           | 3         |                     |
| 75        | 1         | 471 9603-05   | Microswitch      | Mikrobrytare     | 1,2       |                     |
| 76        | 2         | 472 7414-01   | Spacer sleeve    | Distanshylla     | 3         | Ø10/Ø6              |
| 77        | 1         | 489 7166-26   | Repair kit       | Reperationsssats | 3         | -9107/001225        |
| 78        | 1         | 489 7164-40   | •Worm gear       | •Snäcka          | 3         | Complete            |
| 79        | 1         | 489 7164-30   | •Bearing bushing | •Lagerbussning   | 3         |                     |
| 80        | 1         | 489 7164-28   | •Support cradle  | •Stödvagga       | 3         |                     |
| 81        | 1         | 489 7164-29   | •Worm shaft      | •Snäckaxel       | 3         |                     |
| 82        | 2         | 738 3103-80   | •Axial bearing   | •Axiallager      | 1,2       |                     |
| 83        | 2         | 489 7166-23   | •Bearing         | •Lager           | 3         |                     |
| 84        | 4         |               | •Screw           | •Skruv           |           | M6X16               |



100776

| Issue | Month | Year |
|-------|-------|------|
| 02    | 03    | 90   |



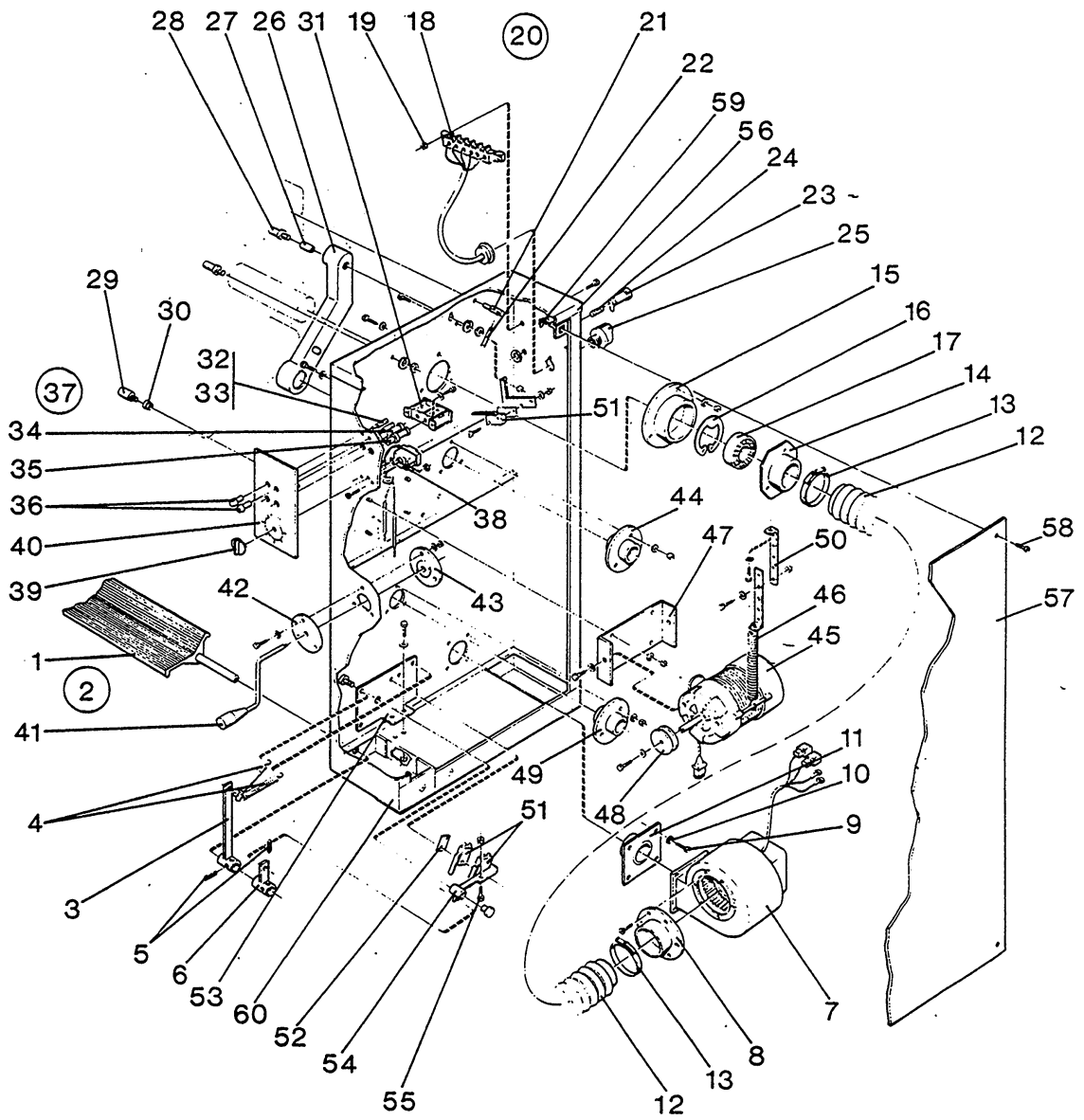
## IM2314 -90/00806

## Right side with control panel

## Höger sida med manöverpanel

| Illustration | Issue  | Month | Year |
|--------------|--------|-------|------|
| Illustration | Utgåva | Månad | År   |
| 100776/2     | 3      | 5     | 2002 |

| Item Pos. | Qua. Ant. | Art.No Art.nr | Description           | Benämning        | Info Info | Notes Anmärkning    |
|-----------|-----------|---------------|-----------------------|------------------|-----------|---------------------|
| 1         |           |               | Pedal                 | Pedal            |           | See illustr. 100775 |
| 2         | 1         | 489 7198-02   | Cable set             | Ledningssats     | 3         | Contactora          |
| 3         | 1         | 489 7184-01   | Arm                   | Arm              | 3         |                     |
| 4         | 2         | 489 6215-29   | Spring                | Fjäder           | 3         |                     |
| 5         | 4         |               | Screw                 | Skruv            |           | M5X6                |
| 6         | 1         | 489 7184-03   | Carrier               | Medbringare      | 3         |                     |
| 7         | 1         | 489 7186-01   | Fan                   | Fläkt            | 3         |                     |
| 8         | 1         | 489 7186-02   | Connection branch     | Anslutning       | 3         |                     |
| 9         | 4         |               | Screw                 | Skruv            |           | B14X19              |
| 10        | 4         |               | Disc                  | Skiva            |           | M8                  |
| 11        | 1         | 489 7186-08   | Evacuation connection | Utsugningstos    | 3         | Charcoal grey       |
| 12        | 1         | 489 7189-06   | Flange                | Fläns            | 3         | Ø63X850             |
| 13        | 2         | 763 2843-51   | Hose clamp            | Slangklämma      | 3         | D75                 |
| 14        | 1         | 489 7164-08   | Connection branch     | Anslutning       | 3         | Charcoal grey       |
| 15        | 1         | 489 7164-18   | Rollo support         | Valshållare      | 3         |                     |
| 16        | 2         | 735 3151-10   | C-clamp               | Segersäkkring    | 3         | 68X2,5              |
| 17        | 1         | 738 2108-04   | Ball bearing          | Kullager         | 1,2       | 6008 2RS            |
| 18        | 1         | 489 7194-02   | Terminal block        | Klämräcke        | 3         |                     |
| 19        | 2         |               | Nut                   | Mutter           |           | M6                  |
| 20        | 1         | 489 7196-02   | Cable set             | Ledningssats     | 3         |                     |
| 21        | 1         | 489 7187-06   | Tap                   | Tapp             | 3         |                     |
| 22        | 1         | 489 7187-08   | Pin                   | Stift            | 3         | Ø6,0                |
| 23        | 1         | 762 8801-22   | Fuse holder           | Säkringshållare  | 3         |                     |
| 24        | 1         | 471 9004-45   | Precision fuse        | Finsäkkring      | 1,2       | 1,25A               |
| 25        | 1         | 471 8752-04   | Cable gland           | Kabelgenomföring | 3         | PG16                |
| 26        | 1         | 489 7179-12   | Ironing arm           | Strykarm         | 3         | Right -8912/000492  |
|           | 1         | 489 7179-25   | Ironing arm           | Strykarm         | 3         | Right 8912/000493-  |
| 27        | 1         | 489 7153-04   | Spacer sleeve         | Distanshylla     | 3         |                     |
| 28        | 2         | 489 7182-04   | Tap                   | Tapp             | 3         |                     |
| 29        | 1         | 489 7182-03   | Tap                   | Tapp             | 3         |                     |
| 30        | 1         | 489 7182-07   | Bushing               | Bussning         | 3         |                     |
| 31        | 1         | 489 7085-02   | Push-button           | Tryckknapp       | 1,2       |                     |
| 32        | 1         | 763 1001-01   | Pilot lamp            | Signallampa      | 1,2       | 230-240V            |
| 33        | 1         | 763 1802-01   | Lamp glass            | Lampeglas        | 3         | Red                 |
| 34        | 1         | 489 7085-12   | Button                | Knopp            | 3         | White               |
| 35        | 1         | 489 7085-11   | Button                | Knopp            | 3         | Red                 |
| 36        | 2         | 736 1804-01   | Glass                 | Glas             | 3         | White               |
| 37        | 1         | 489 7203-02   | Cable set             | Ledningssats     | 3         | Keyboard            |
| 38        | 1         | 489 7085-01   | Thermostat            | Termostat        | 1,2       |                     |
| 39        | 1         | 472 8534-03   | Button                | Knopp            | 3         | Black               |
| 40        | 1         | 487 1235-01   | Sign                  | Skylt            | 3         | Nyborg              |
|           | 1         | 487 1235-02   | Sign                  | Skylt            | 3         | Osby                |
|           | 1         | 487 1235-03   | Sign                  | Skylt            | 3         | Lincoln             |
|           | 1         | 487 1235-04   | Sign                  | Skylt            | 3         | Peko                |
|           | 1         | 487 1235-05   | Sign                  | Skylt            | 3         | Electrolux Wascator |
|           | 1         | 487 1235-07   | Sign                  | Skylt            | 3         | Electrolux Zanker   |
|           | 1         | 487 1235-09   | Sign                  | Skylt            | 3         | Zanussi             |
| 41        | 1         |               | Handle                | Handtag          |           | See illustr. 100777 |
| 42        | 1         | 489 7189-06   | Flange                | Fläns            | 3         | Ø63X850             |
| 43        | 1         | 489 7189-03   | Flange                | Fläns            | 3         |                     |
| 44        | 1         | 489 7179-02   | Bearing               | Lager            | 1,2       |                     |
| 45        | 1         | 489 7164-04   | Motor                 | Motor            | 1,2       |                     |
| 46        | 1         | 489 7166-05   | Spring                | Fjäder           | 3         |                     |
| 47        | 1         | 489 7164-15   | Motor bracket         | Motorkonsol      | 3         |                     |
| 48        | 1         | 489 7164-09   | Pulley                | Remskiva         | 1         | 50Hz                |
|           | 1         | 489 7164-10   | Pulley                | Remskiva         | 1         | 60Hz                |
| 49        | 1         | 489 7179-04   | Bearing               | Lager            | 1,2       |                     |
| 50        | 2         | 489 7166-11   | Support               | Stöd             | 3         |                     |
| 51        | 2         | 489 5705-03   | Microswitch           | Mikrobrytare     | 1,2       |                     |



100776

| Issue | Month | Year |
|-------|-------|------|
| 02    | 03    | 90   |

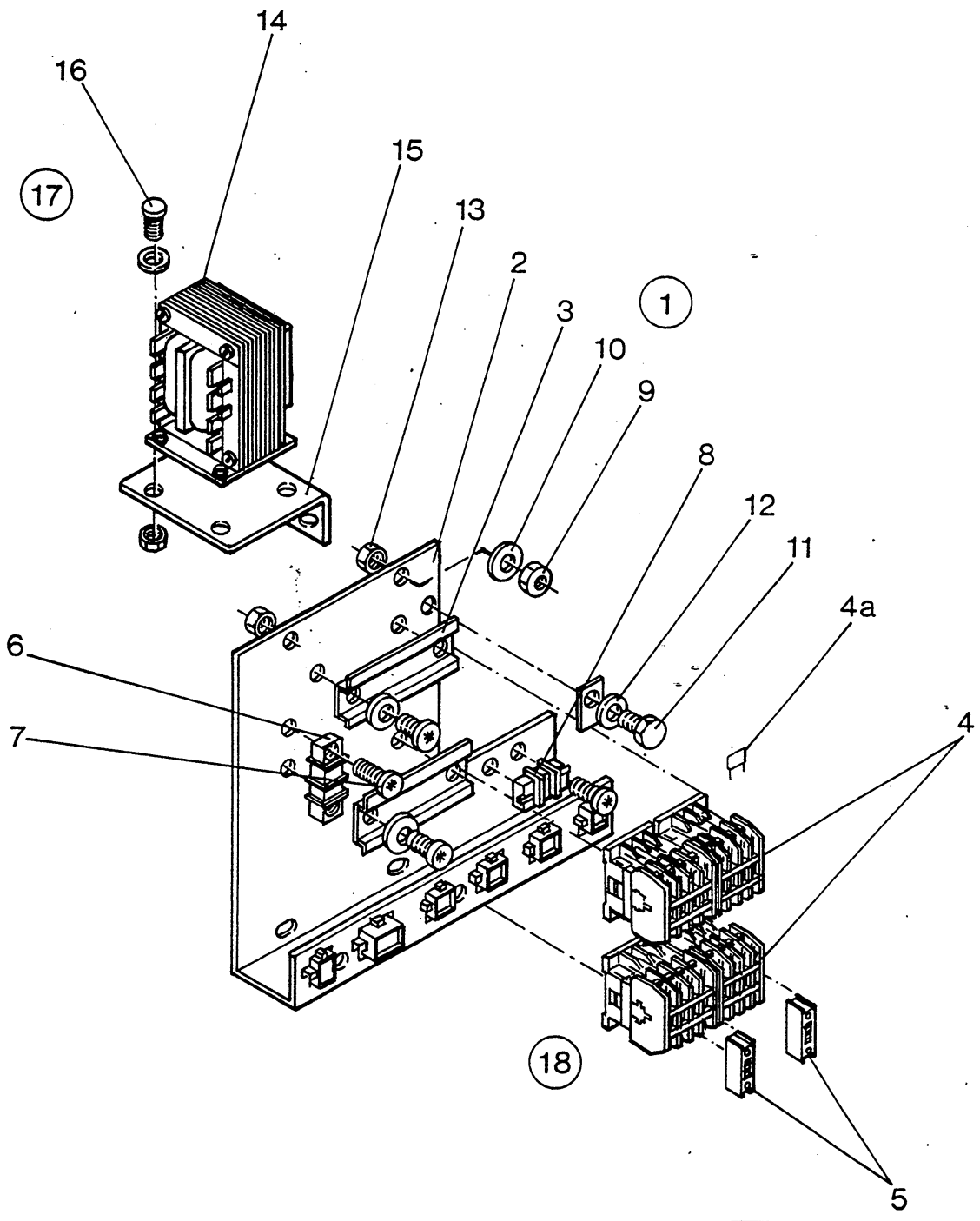
**IM2314 -90/00806**

**Right side with control panel**

**Höger sida med manöverpanel**

|                 |          |          |             |
|-----------------|----------|----------|-------------|
| Illustration    | Issue    | Month    | Year        |
| Illustration    | Utgåva   | Månad    | År          |
| <b>100776/2</b> | <b>3</b> | <b>5</b> | <b>2002</b> |

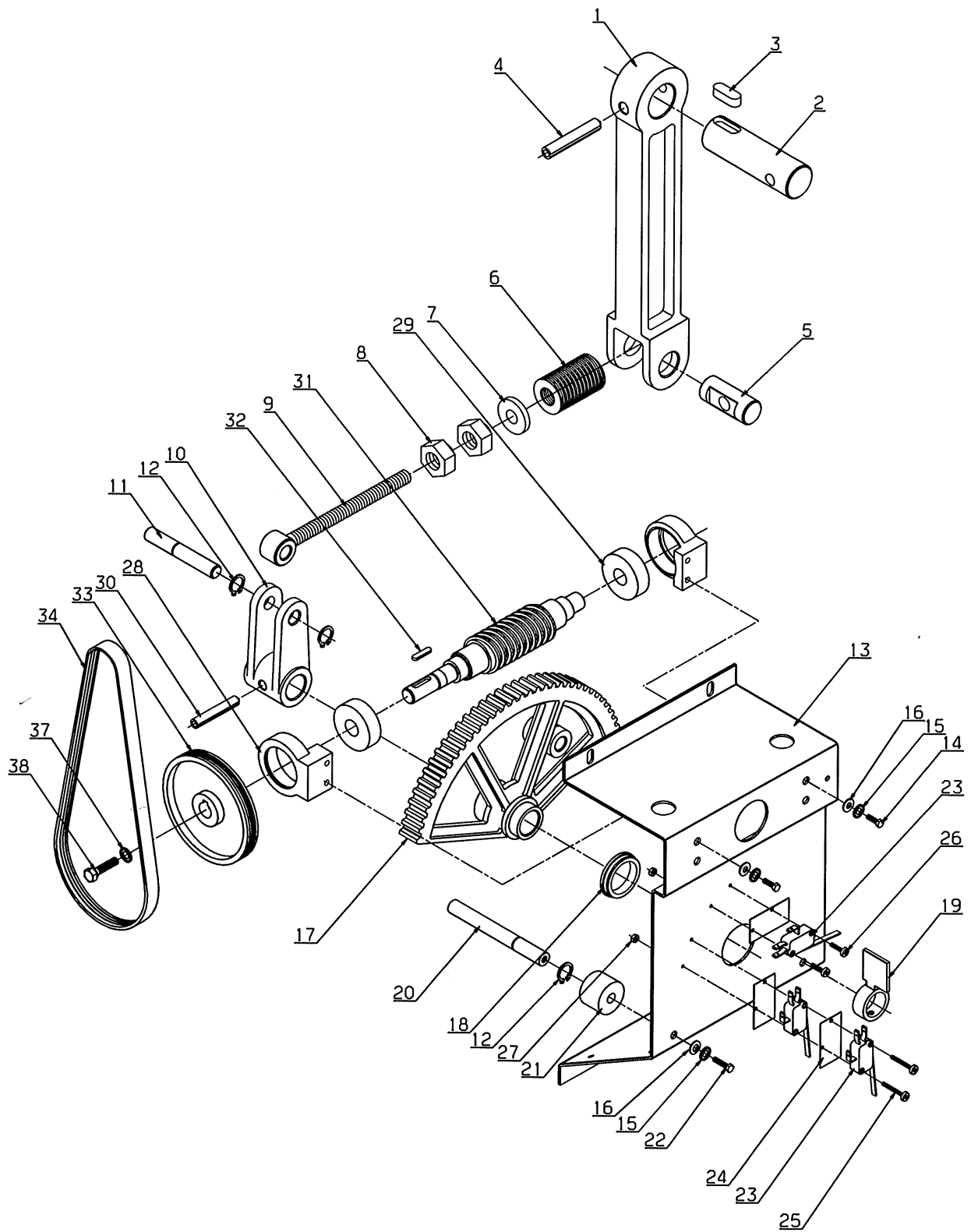
| Item Pos. | Qua. Ant. | Art.No Art.nr | Description    | Benämning      | Info Info | Notes Anmärkning |
|-----------|-----------|---------------|----------------|----------------|-----------|------------------|
| 52        | 4         | 488 5173-06   | Insulation     | Isolering      | 3         |                  |
| 53        | 1         | 489 7184-11   | Assembly plate | Monteringsplåt | 3         |                  |
| 54        | 1         | 489 7184-02   | Arm            | Arm            | 3         |                  |
| 55        | 1         | 489 7184-12   | Tap            | Tapp           | 3         |                  |
| 56        | 1         | 489 7223-05   | Bracket        | Konsol         | 3         | White            |
|           | 1         | 489 7223-06   | Bracket        | Konsol         | 3         | Red              |
|           | 1         | 489 7223-08   | Bracket        | Konsol         | 3         | Charcoal grey    |
|           | 1         | 489 7223-62   | Bracket        | Konsol         | 3         | Yellow           |
|           | 1         | 489 7223-63   | Bracket        | Konsol         | 3         | Beige            |
|           | 57        | 1             | 489 7191-05    | Screen         | Skärm     | 3                |
| 1         |           | 489 7191-06   | Screen         | Skärm          | 3         | Red              |
| 1         |           | 489 7191-08   | Screen         | Skärm          | 3         | Charcoal grey    |
| 1         |           | 489 7191-62   | Screen         | Skärm          | 3         | Yellow           |
| 1         |           | 489 7191-63   | Screen         | Skärm          | 3         | Beige            |
| 58        | 4         |               | Screw          | Skruv          |           | M5X25            |
| 59        | 4         |               | Nut            | Mutter         |           | M5               |
| 60        | 1         | 489 7222-05   | Foundation     | Fundament      | 3         | White            |
|           | 1         | 489 7222-06   | Foundation     | Fundament      | 3         | Red              |
|           | 1         | 489 7222-08   | Foundation     | Fundament      | 3         | Charcoal grey    |
|           | 1         | 489 7222-62   | Foundation     | Fundament      | 3         | Yellow           |
|           | 1         | 489 7222-63   | Foundation     | Fundament      | 3         | Beige            |



100779

| Issue | Month | Year |
|-------|-------|------|
| 02    | 03    | 90   |

| <b>IM2314 -90/00806</b> |              |                    |                 |               | Illustration    | Issue               | Month    | Year        |
|-------------------------|--------------|--------------------|-----------------|---------------|-----------------|---------------------|----------|-------------|
| <b>Control unit</b>     |              |                    |                 |               | Illustration    | Utgåva              | Månad    | År          |
| <b>Automatenhet</b>     |              |                    |                 |               | <b>100779/2</b> | <b>3</b>            | <b>5</b> | <b>2002</b> |
| Item<br>Pos.            | Qua.<br>Ant. | Art.No<br>Art.nr   | Description     | Benämning     | Info<br>Info    | Notes<br>Anmärkning |          |             |
| <b>1</b>                | 1            | <b>489 7185-10</b> | Control unit    | Automatenhet  | 3               | Complete            |          |             |
| <b>2</b>                | 1            | <b>489 7185-04</b> | Component plate | Komponentplåt | 3               |                     |          |             |
| <b>3</b>                | 2            | <b>489 7185-03</b> | Rail            | Skena         | 3               |                     |          |             |
| <b>4</b>                | 4            | <b>767 5112-09</b> | Relay           | Relä          | 1,2             |                     |          |             |
| <b>4A</b>               | 4            | <b>487 0289-17</b> | RC-unit         | RC-led        | 1,2             |                     |          |             |
| <b>5</b>                | 2            | <b>767 5101-92</b> | Contact block   | Kontaktblock  | 1,2             | Green               |          |             |
| <b>6</b>                | 1            | <b>489 7085-20</b> | Terminal block  | Klämräcke     | 3               | 1-pol               |          |             |
| <b>7</b>                | 4            |                    | Screw           | Skruv         |                 | M4x16               |          |             |
| <b>8</b>                | 1            | <b>489 7085-20</b> | Terminal block  | Klämräcke     | 3               | 1-pol               |          |             |
| <b>9</b>                | 4            |                    | Nut             | Mutter        |                 | M4                  |          |             |
| <b>10</b>               | 6            |                    | Spring washer   | Fjäderbrica   |                 | M4                  |          |             |
| <b>11</b>               | 1            |                    | Screw           | Skruv         |                 | M6X25               |          |             |
| <b>12</b>               | 1            |                    | Spring washer   | Fjäderbrica   |                 | M6                  |          |             |
| <b>13</b>               | 6            | <b>472 7414-01</b> | Spacer sleeve   | Distanshylla  | 3               | Ø10/Ø6              |          |             |
| <b>14</b>               | 1            | <b>489 7185-01</b> | Transformer     | Transformator | 1,2             | 400V/230V-140V      |          |             |
| <b>15</b>               | 1            | <b>489 7185-05</b> | Bracket         | Konsol        | 3               |                     |          |             |
| <b>16</b>               | 4            |                    | Screw           | Skruv         |                 | M4x10               |          |             |
| <b>17</b>               | 1            | <b>489 7185-07</b> | Cable set       | Ledningssats  | 3               | Transformer         |          |             |
| <b>18</b>               | 1            | <b>489 7195-04</b> | Cable set       | Ledningssats  | 3               | Contactator         |          |             |



10 07 78

| Issue | Month | Year |
|-------|-------|------|
| 02    | 02    | 95   |

Tegn. 489 72 10 16

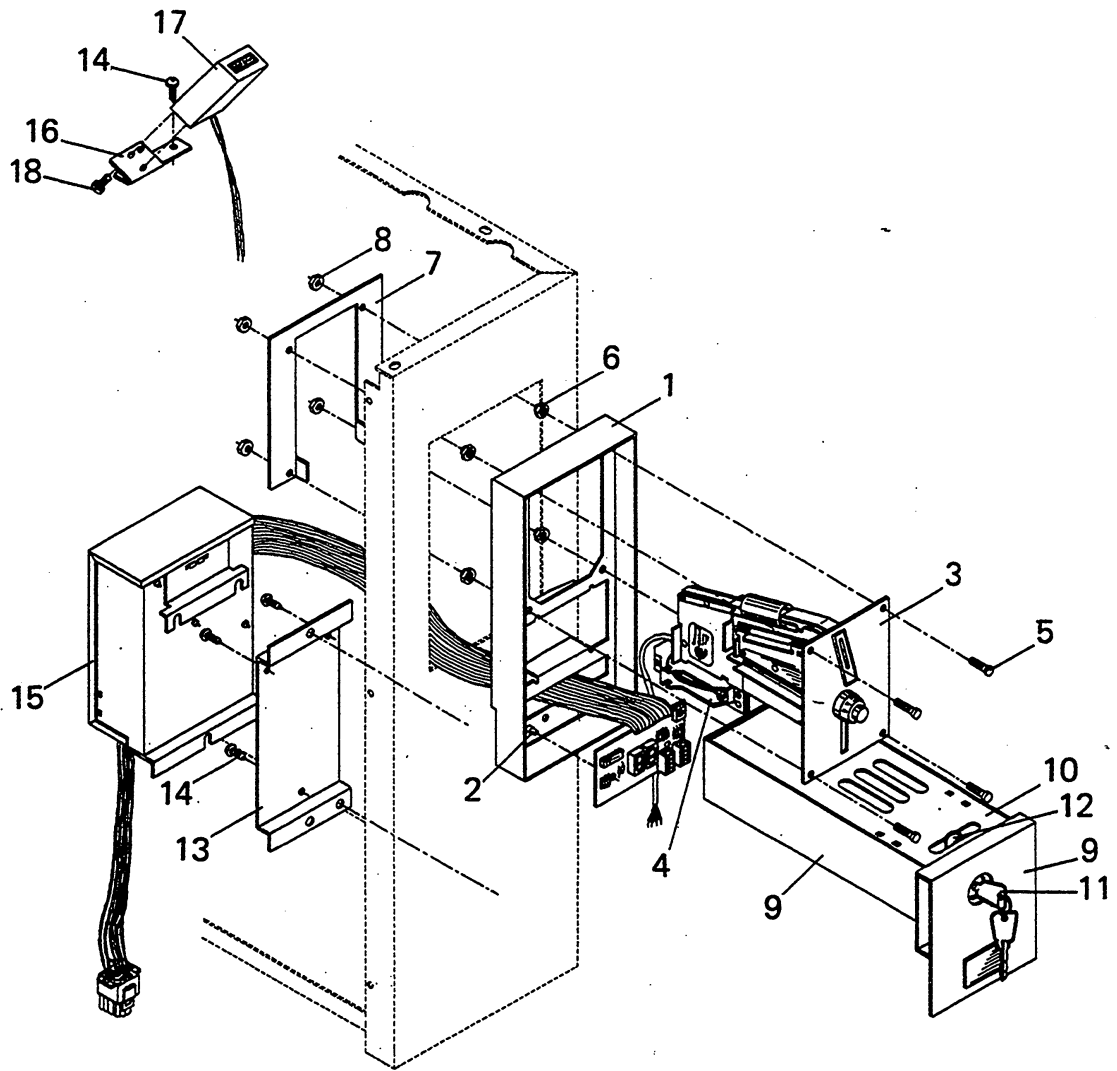
IM2314 -90/00806

Gear segment

Kuggsegment

|                 |          |          |             |
|-----------------|----------|----------|-------------|
| Illustration    | Issue    | Month    | Year        |
| Illustration    | Utgåva   | Månad    | År          |
| <b>100778/2</b> | <b>4</b> | <b>5</b> | <b>2002</b> |

| Item Pos. | Qua. Ant. | Art.No Art.nr | Description     | Benämning     | Info Info | Notes Anmärkning |
|-----------|-----------|---------------|-----------------|---------------|-----------|------------------|
| 1         | 1         | 489 7179-08   | Fork arm        | Gaffelarm     | 3         | Charcoal grey    |
| 2         | 1         | 489 7179-13   | Shaft           | Axel          | 3         | -8912/00492      |
|           | 1         | 489 7179-23   | Shaft           | Axel          | 3         | 8912/000493-     |
| 3         | 1         | 489 7179-26   | Wedge           | Kil           | 3         |                  |
| 4         | 1         | 721 4423-00   | Pin             | Stift         | 3         | Ø10X60           |
| 5         | 1         | 489 7179-15   | Tap             | Tapp          | 3         |                  |
| 6         | 1         | 489 7179-18   | Spring          | Fjäder        | 3         |                  |
| 7         | 1         | 489 7179-16   | Spring shoe     | Fjädersko     | 3         |                  |
| 8         | 2         |               | Nut             | Mutter        |           | M12              |
| 9         | 1         | 489 7179-17   | Eye bolt        | Öglebult      | 3         |                  |
| 10        | 1         | 489 7179-06   | Fork arm        | Gaffelarm     | 3         |                  |
| 11        | 1         | 489 7166-02   | Tap             | Tapp          | 3         |                  |
| 12        | 2         | 735 3114-00   | C-clamp         | Segersäkkring | 3         | D12              |
| 13        | 1         | 489 7166-10   | Housing         | Hus           | 3         | -9107/001225     |
|           | 1         | 489 7166-25   | Housing         | Hus           | 3         | 107/001226-      |
| 14        | 8         |               | Screw           | Skruv         |           | M6X20            |
| 15        | 8         |               | Spring washer   | Fjäderbrica   |           | M6               |
| 16        | 8         |               | Disc            | Skiva         |           | Ø6,4/Ø12,5       |
| 17        | 1         | 489 7166-20   | Gear segment    | Kuggsegment   | 3         |                  |
| 18        | 1         | 489 7166-07   | Bushing         | Bussning      | 3         |                  |
| 19        | 1         | 489 7166-06   | Bushing         | Bussning      | 3         |                  |
| 20        | 2         | 489 7166-08   | Shaft           | Axel          | 3         |                  |
| 21        | 2         | 489 7166-12   | Rubber bushing  | Gummibussning | 3         |                  |
| 22        | 8         |               | Screw           | Skruv         |           | M6X12            |
| 23        | 3         | 489 5705-03   | Microswitch     | Mikrobrytare  | 1,2       |                  |
| 24        | 3         | 488 5173-06   | Insulation      | Isolering     | 3         |                  |
| 25        | 4         |               | Screw           | Skruv         |           | M3X25            |
| 26        | 4         |               | Spring washer   | Fjäderbrica   |           | M8               |
| 27        | 4         |               | Nut             | Mutter        |           | M3               |
| 28        | 2         | 489 7166-18   | Bearing         | Lager         | 3         | -9107001225      |
|           | 2         | 489 7270-03   | Bearing cage    | Lågerhållare  | 3         | 9107/001226-     |
| 29        | 2         | 489 7166-14   | Bearing bushing | Lagerbussning | 3         | -9107/001225     |
|           | 2         | 489 7270-01   | Spring          | Fjäder        | 3         | 9107/001226-     |
| 30        | 1         | 721 4385-00   | Lock pin        | Spännstift    | 3         | Ø8X50            |
| 31        | 1         | 489 7166-09   | Worm gear       | Snäcka        | 3         | -9107/001225     |
|           | 1         | 489 7166-24   | Worm gear       | Snäcka        | 3         | 9107/001226-     |
| 32        | 1         | 487 5125-02   | Wedge           | Kil           | 3         | 5X5X20           |
| 33        | 1         | 489 7166-21   | Pulley          | Remskiva      | 1         | -9107/001225     |
|           | 1         | 489 7238-14   | Pulley          | Remskiva      | 1         | 9107/001226-     |
| 34        | 1         | 489 7164-01   | Drive belt      | Drivrem       | 1,2       | -9107/001225     |
|           | 1         | 489 7164-41   | Drive belt      | Drivrem       | 1,2       | 9107/001226-     |
| 35        | 4         |               | Disc            | Skiva         |           | Ø5/Ø16           |
| 36        | 1         |               | Disc            | Skiva         |           | M4               |
| 37        | 1         |               | Lock washer     | Låsbricka     |           | M4               |
| 38        | 1         |               | Screw           | Skruv         |           | M4x10            |



100782

| Issue | Month | Year |
|-------|-------|------|
| 01    | 12    | 89   |

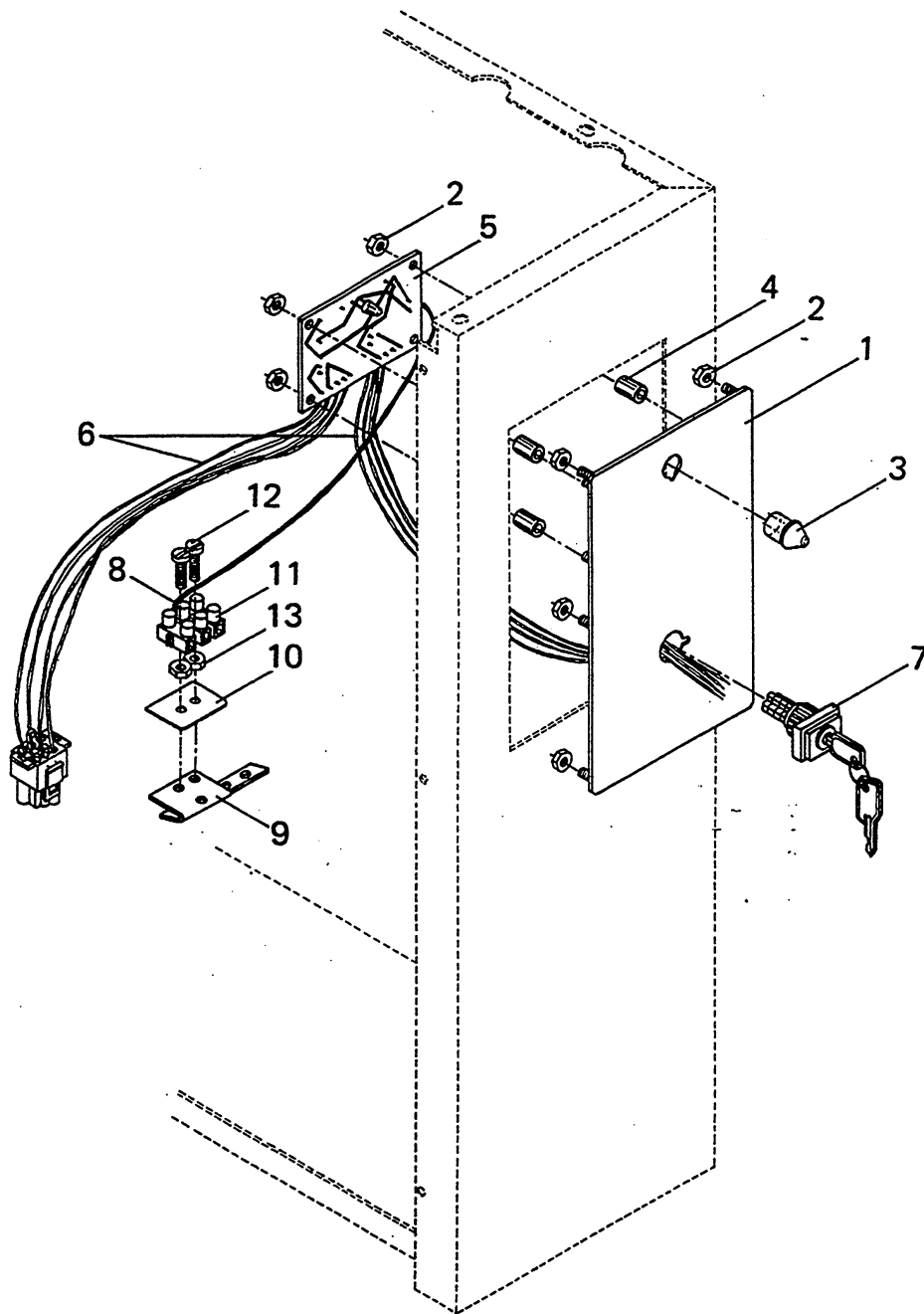


**IM2314 -90/00806****Coin meter components**

| Illustration    | Issue    | Month    | Year        |
|-----------------|----------|----------|-------------|
| Illustration    | Utgåva   | Månad    | År          |
| <b>100782/1</b> | <b>3</b> | <b>5</b> | <b>2002</b> |

**Myntmätardetaljer**

| Item Pos. | Qua. Ant. | Art.No Art.nr      | Description     | Benämning      | Info Info | Notes Anmärkning |
|-----------|-----------|--------------------|-----------------|----------------|-----------|------------------|
| <b>1</b>  | 1         | <b>487 1047-02</b> | Frame           | Karm           | 3         | Brown            |
|           | 1         | <b>487 1047-08</b> | Frame           | Karm           | 3         | Charcoal grey    |
|           | 1         | <b>487 1047-61</b> | Frame           | Karm           | 3         | Graphitegrey     |
| <b>2</b>  | 1         | <b>487 1057-02</b> | Spacer element  | Distansstycke  | 3         |                  |
| <b>3</b>  | 1         |                    | Coin meter      | Myntmätare     |           |                  |
| <b>4</b>  | 1         | <b>471 8910-91</b> | •Sensor         | •Sensor        | 1,2       |                  |
| <b>5</b>  | 4         |                    | Screw           | Skruv          |           | M4x15            |
| <b>6</b>  | 4         |                    | Locking nut     | Låsmutter      |           | M4               |
| <b>7</b>  | 1         | <b>487 1057-01</b> | Plate           | Plåt           | 3         |                  |
| <b>8</b>  | 4         |                    | Nut             | Mutter         |           | M4               |
| <b>9</b>  | 1         | <b>489 7169-00</b> | Coin box        | Myntlåda       | 3         | Complete         |
| <b>10</b> | 1         | <b>489 7174-00</b> | •Cover          | •Lock          | 3         |                  |
| <b>11</b> | 1         | <b>487 1044-09</b> | •Lock           | •Lås           | 3         |                  |
| <b>12</b> | 1         | <b>487 1707-04</b> | Lock catch      | Låshake        | 3         |                  |
| <b>13</b> | 1         | <b>489 7079-04</b> | Bracket         | Konsol         | 3         |                  |
| <b>14</b> | 5         |                    | Screw           | Skruv          |           | B8X13            |
| <b>15</b> | 1         | <b>487 1064-10</b> | Coin electronic | Myntelektronik | 1,2       | 1-4-20-40, 220V  |
| <b>16</b> | 1         | <b>489 7087-02</b> | Fitting         | Beslag         | 3         |                  |
| <b>17</b> | 1         | <b>487 1064-04</b> | Coin counter    | Mynträknare    | 1         | 12V              |
| <b>18</b> | 2         |                    | Screw           | Skruv          |           | M3X6             |



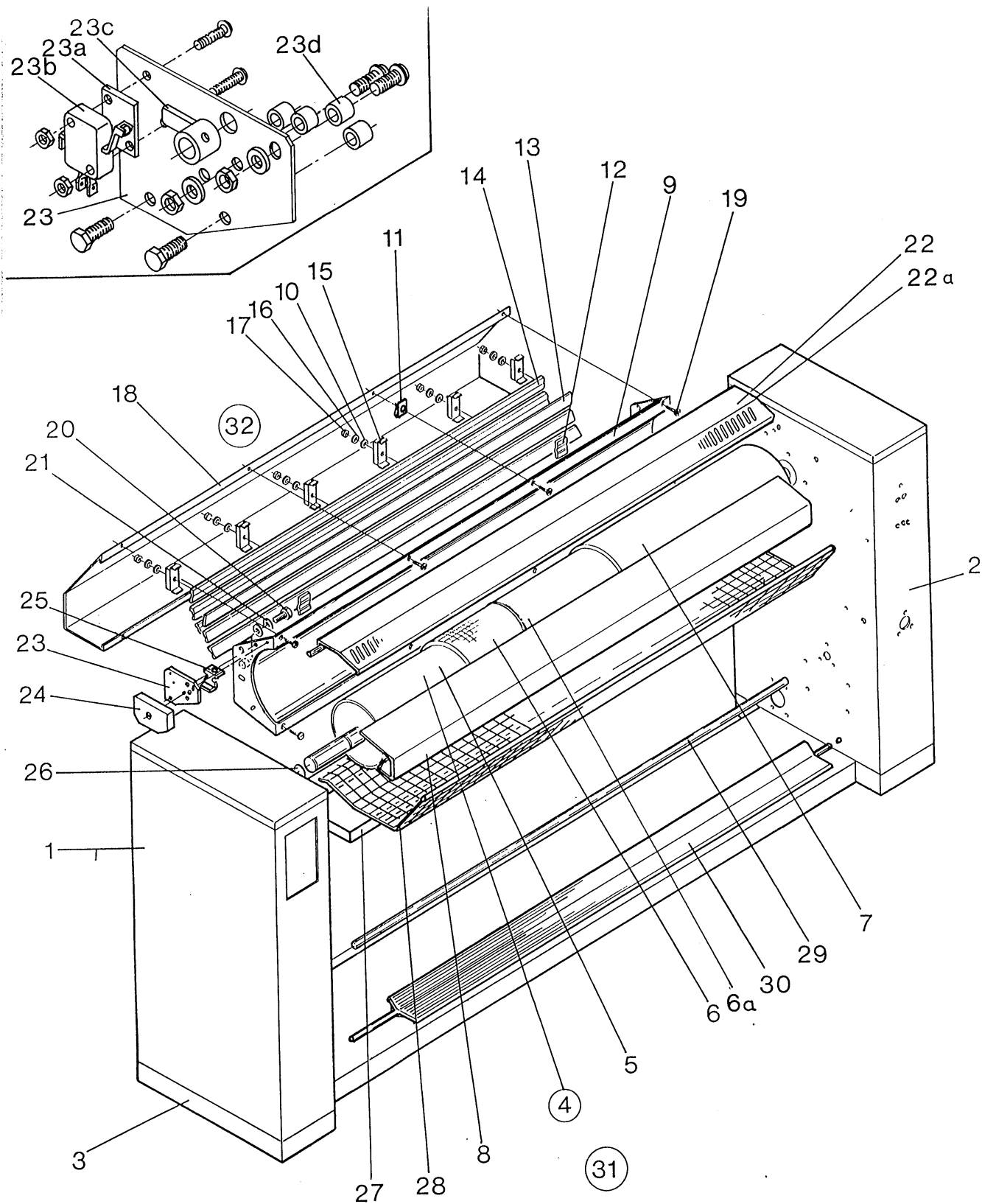
100783

| Issue | Month | Year |
|-------|-------|------|
| 01    | 12    | 89   |

**IM2314 -90/00806****Central control****Centralstyrning**

| Illustration    | Issue    | Month    | Year        |
|-----------------|----------|----------|-------------|
| Illustration    | Utgåva   | Månad    | År          |
| <b>100783/1</b> | <b>4</b> | <b>5</b> | <b>2002</b> |

| Item Pos. | Qua. Ant. | Art.No Art.nr      | Description           | Benämning     | Info Info | Notes Anmärkning |
|-----------|-----------|--------------------|-----------------------|---------------|-----------|------------------|
| <b>1</b>  | 1         | <b>472 7487-05</b> | Cover                 | Avskärmning   | 3         | Complete         |
| <b>2</b>  | 10        |                    | Nut                   | Mutter        |           | M4               |
| <b>3</b>  | 1         | <b>471 9652-50</b> | Lamp glass            | Lampeglas     | 3         | Red              |
| <b>4</b>  | 4         | <b>489 6260-80</b> | Spacer pipe           | Distansrör    | 3         | Ø4/Ø7X13         |
| <b>5</b>  | 1         | <b>472 7854-01</b> | Printed circuit board | Kretskort     | 1,2       |                  |
| <b>6</b>  | 1         | <b>472 7857-02</b> | Cable set             | Ledningssats  | 3         |                  |
| <b>7</b>  | 1         | <b>488 6571-01</b> | Key switch            | Nyckelbrytare | 1,2       |                  |
| <b>8</b>  | 1         | <b>472 7886-01</b> | Connector cable       | Mellanledning | 3         |                  |
| <b>9</b>  | 1         | <b>489 7087-02</b> | Fitting               | Beslag        | 3         |                  |
| <b>10</b> | 1         | <b>472 7887-02</b> | Sign                  | Skylt         | 3         |                  |
| <b>11</b> | 1         | <b>488 7015-06</b> | Terminal block        | Klämräcke     | 3         |                  |
| <b>12</b> | 2         |                    | Screw                 | Skruv         |           | M3X16            |
| <b>13</b> | 2         |                    | Nut                   | Mutter        |           | M3               |



100882

| Issue | Month | Year |
|-------|-------|------|
| 03    | 08    | 95   |

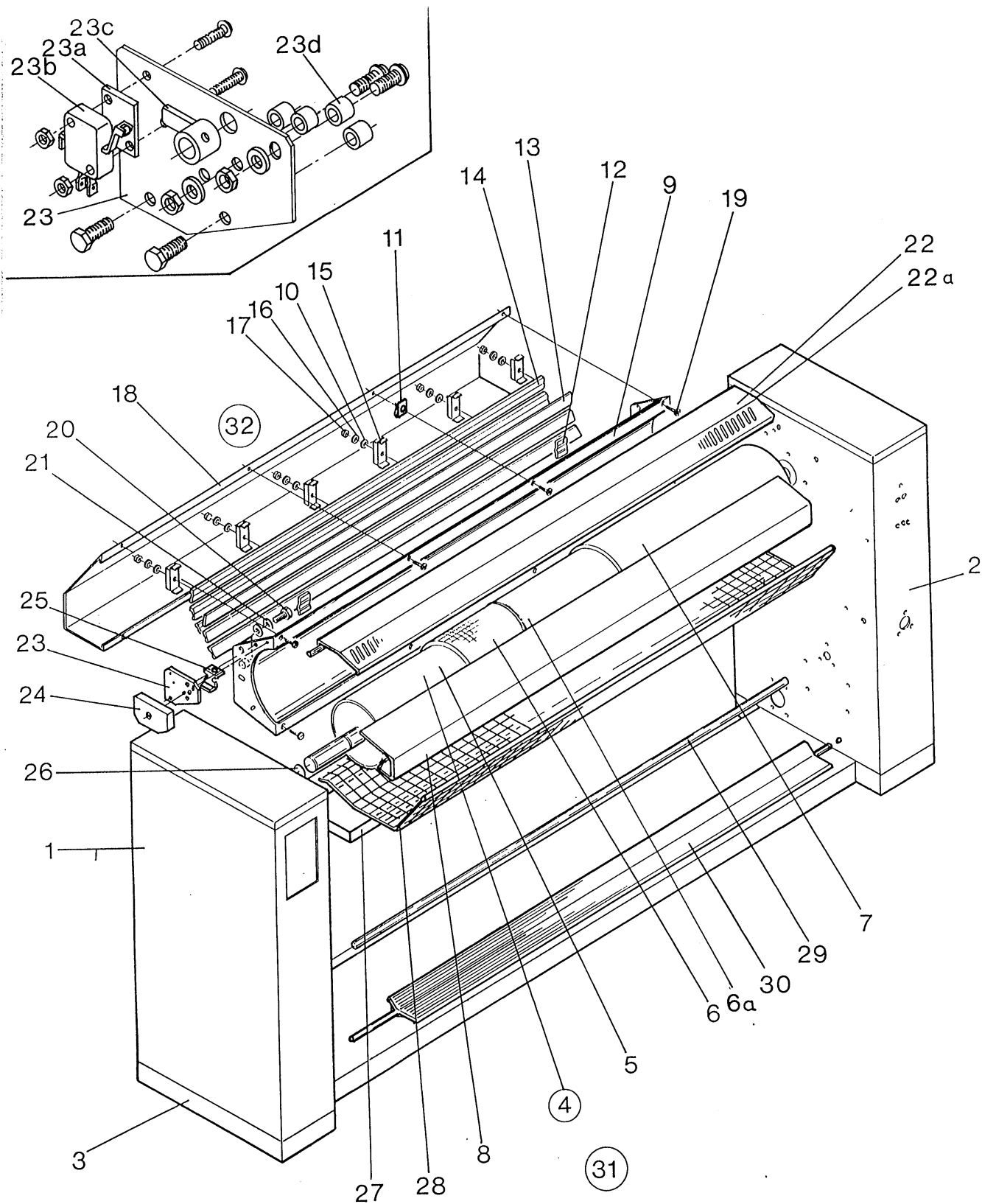
IM2314 90/00807-

Main exploded view, chest and roller

| Illustration | Issue  | Month | Year |
|--------------|--------|-------|------|
| Illustration | Utgåva | Månad | År   |
| 100882/3     | 7      | 8     | 2010 |

Huvudsprängskiss, stryksula och vals

| Item Pos. | Qua. Ant. | Art.No Art.nr | Description       | Benämning      | Info Info | Notes Anmärkning          |
|-----------|-----------|---------------|-------------------|----------------|-----------|---------------------------|
| 1         | 1         |               | Bracket           | Konsol         |           | Left See illustr. 100884  |
| 2         | 1         |               | Bracket           | Konsol         |           | Right See illustr. 100883 |
| 3         | 1         |               | Foundation        | Fundament      |           | See illustr. 100884       |
| 4         | 1         | 489 7159-00   | Roller            | Vals           | 3         | Complete                  |
| 5         | 1         |               | •Roller           | •Vals          |           |                           |
| 6         | 1         | 489 7159-01   | •Steel wool       | •Stålull       | 3         |                           |
| * 6A      | 1         | 489 7159-06   | •Mangle sheet     | •Mangelduk     | 3         | 750x750                   |
| * 7       | 1         | 489 7159-04   | •Felt             | •Filt          | 3         |                           |
| * 8       | 1         | 489 7159-05   | •Mangle sheet     | •Mangelduk     | 3         | 1440x1420                 |
|           | 1         | 489 7159-07   | Clothing          | Klädsel        | 3         | Germany                   |
|           | 1         | 489 7215-02   | Feeding table     | Immatningsbord | 3         | Brown                     |
|           | 1         | 489 7215-05   | Feeding table     | Immatningsbord | 3         | White                     |
|           | 1         | 489 7215-08   | Feeding table     | Immatningsbord | 3         | Charcoal grey             |
|           | 1         | 489 7215-61   | Feeding table     | Immatningsbord | 3         | Graphitegrey              |
| 9         | 1         | 489 7155-00   | Ironing chest     | Stryksula      | 3         | Chromium                  |
| 10        | 12        |               | Disc              | Skiva          |           | Ø6,4/Ø12,5                |
| 11        | 8         | 488 0090-01   | Captive nut       | Snabblåsmutter | 3         |                           |
| 12        | 2         | 489 7064-03   | Clips             | Clips          | 3         |                           |
| 13        | 3         | 489 7144-01   | Heating element   | Värmeelement   | 1,2       | 2400W 230V                |
|           | 3         | 489 7152-01   | Heating element   | Värmeelement   | 1,2       | 2400W 250V                |
| 14        | 3         | 489 7153-02   | Strip             | List           | 3         |                           |
| 15        | 12        | 489 7064-02   | Tensioner plate   | Spännplatta    | 3         |                           |
| 16        | 12        |               | Spring washer     | Fjäderbrica    |           | M6                        |
| 17        | 12        |               | Nut               | Mutter         |           | M6                        |
| 18        | 1         | 489 7153-05   | Screen            | Skärm          | 3         | White                     |
|           | 1         | 489 7153-06   | Screen            | Skärm          | 3         | Red                       |
|           | 1         | 489 7153-08   | Screen            | Skärm          | 3         | Charcoal grey             |
|           | 1         | 489 7153-62   | Screen            | Skärm          | 3         | Yellow                    |
|           | 1         | 489 7153-63   | Screen            | Skärm          | 3         | Beige                     |
| 19        | 8         |               | Screw             | Skruv          |           | B8X9                      |
| 20        | 2         |               | Screw             | Skruv          |           | M16X50                    |
| 21        | 2         |               | Tray              | Bricka         |           | M16                       |
| 22        | 1         | 489 7217-02   | Finger protection | Fingerskydd    | 3         | Brown                     |
|           | 1         | 489 7217-06   | Finger protection | Fingerskydd    | 3         | Red                       |
|           | 1         | 489 7217-08   | Finger protection | Fingerskydd    | 3         | Charcoal grey             |
|           | 1         | 489 7217-61   | Finger protection | Fingerskydd    | 3         | Graphitegrey              |
| 22A       | 1         | 489 7268-02   | Fitting           | Beslag         | 3         | Brown                     |
|           | 1         | 489 7268-08   | Fitting           | Beslag         | 3         | Grey                      |
|           | 1         | 489 7268-61   | Fitting           | Beslag         | 3         | Graphitegrey              |
|           | 1         | 489 7268-63   | Fitting           | Beslag         | 3         | Beige                     |
| 23        | 1         | 489 7220-02   | Fitting           | Beslag         | 3         | Brown                     |
|           | 1         | 489 7220-08   | Fitting           | Beslag         | 3         | Charcoal grey             |
|           | 1         | 489 7220-61   | Fitting           | Beslag         | 3         | Graphitegrey              |
|           | 1         | 489 7264-02   | Fitting           | Beslag         | 3         | Brown Right               |
|           | 1         | 489 7264-08   | Fitting           | Beslag         | 3         | Charcoal grey Right       |
|           | 1         | 489 7264-61   | Fitting           | Beslag         | 3         | Graphitegrey Right        |
| 23A       | 2         | 488 5173-06   | Insulation        | Isolering      | 3         |                           |
| 23B       | 2         | 489 5707-02   | Microswitch       | Mikrobrytare   | 1,2       |                           |
| 23C       | 2         | 489 7217-10   | Breaker arm       | Brytarm        | 3         |                           |
| 23D       | 8         | 472 7414-01   | Spacer sleeve     | Distanshylla   | 3         | Ø10/Ø6                    |
| 24        | 2         | 489 7219-02   | Cover             | Avskärmning    | 3         | Brown                     |
|           | 2         | 489 7219-08   | Cover             | Avskärmning    | 3         | Charcoal grey             |
|           | 2         | 489 7219-61   | Cover             | Avskärmning    | 3         | Graphitegrey              |
| 25        | 2         | 489 7218-01   | Lock fastener     | Låsfäste       | 3         |                           |
| 26        | 1         | 489 7159-03   | Cover             | Avskärmning    | 3         |                           |
| 27        | 1         | 489 7216-05   | Support           | Stöd           | 3         | White                     |
|           | 1         | 489 7216-06   | Support           | Stöd           | 3         | Red                       |
|           | 1         | 489 7216-08   | Support           | Stöd           | 3         | Charcoal grey             |
|           | 1         | 489 7216-62   | Support           | Stöd           | 3         | Yellow                    |



100882

| Issue | Month | Year |
|-------|-------|------|
| 03    | 08    | 95   |

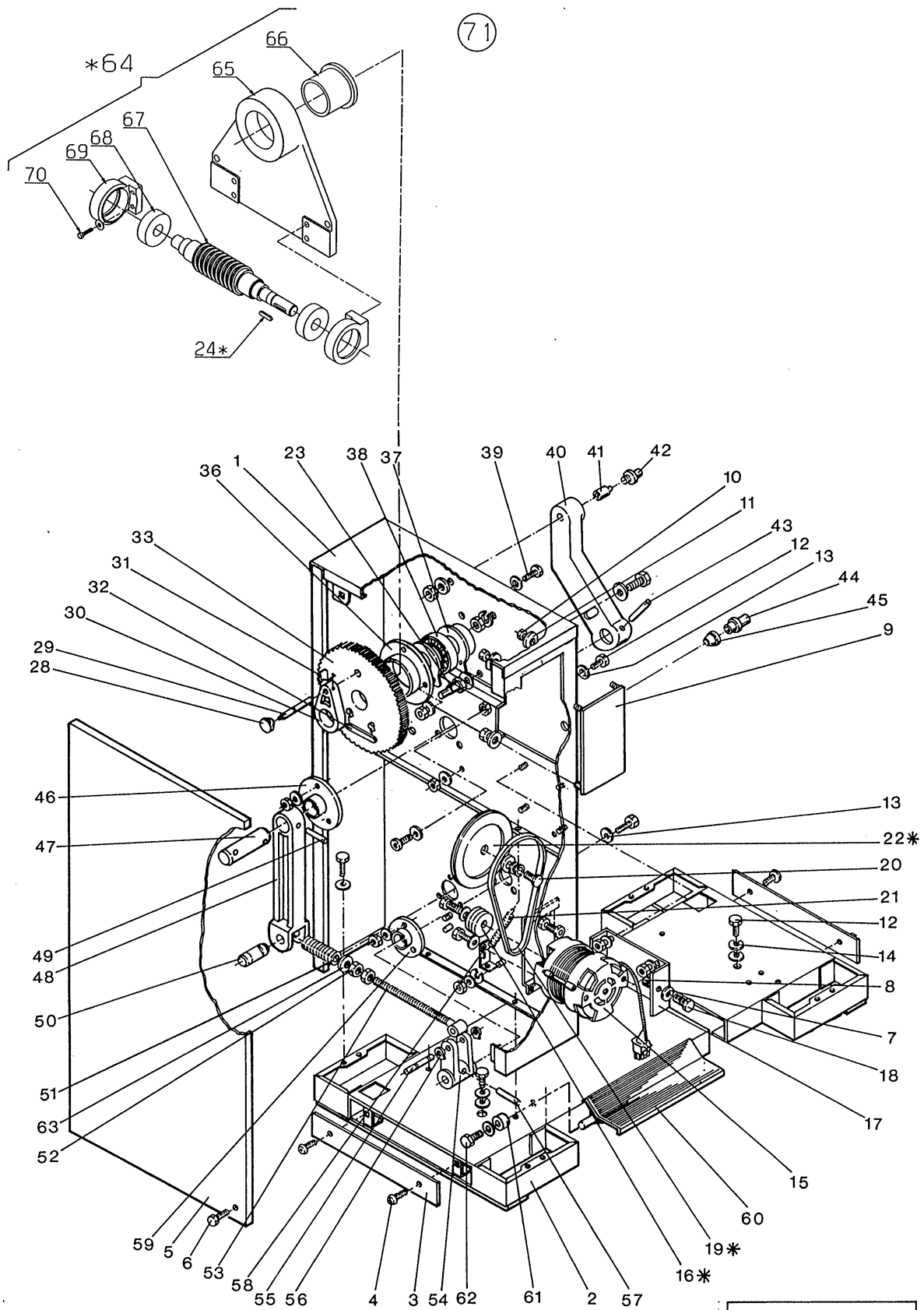
**IM2314 90/00807-**

**Main exploded view, chest and roller**

|                 |          |          |             |
|-----------------|----------|----------|-------------|
| Illustration    | Issue    | Month    | Year        |
| Illustration    | Utgåva   | Månad    | År          |
| <b>100882/3</b> | <b>7</b> | <b>8</b> | <b>2010</b> |

**Huvudsprängskiss, stryksula och vals**

| Item Pos. | Qua. Ant. | Art.No Art.nr      | Description | Benämning    | Info Info | Notes Anmärkning |
|-----------|-----------|--------------------|-------------|--------------|-----------|------------------|
| <b>28</b> | 1         | <b>489 7216-63</b> | Support     | Stöd         | 3         | Beige            |
|           | 1         | <b>489 7221-02</b> | Shelf       | Hylla        | 3         | Brown            |
|           | 1         | <b>489 7221-08</b> | Shelf       | Hylla        | 3         | Charcoal grey    |
|           | 1         | <b>489 7221-61</b> | Shelf       | Hylla        | 3         | Graphitegrey     |
| <b>29</b> | 1         | <b>489 7179-19</b> | Shaft       | Axel         | 3         |                  |
| <b>30</b> | 1         | <b>489 7228-02</b> | Pedal       | Pedal        | 3         | Brown            |
|           | 1         | <b>489 7228-08</b> | Pedal       | Pedal        | 3         | Charcoal grey    |
|           | 1         | <b>489 7228-61</b> | Pedal       | Pedal        | 3         | Graphitegrey     |
| <b>31</b> | 1         | <b>489 7204-04</b> | Cable set   | Ledningssats | 3         | Roller           |
| <b>32</b> | 1         | <b>489 7197-04</b> | Cable set   | Ledningssats | 3         | Ironing chest    |



100884

71 = Kit including all numbers marked with \*

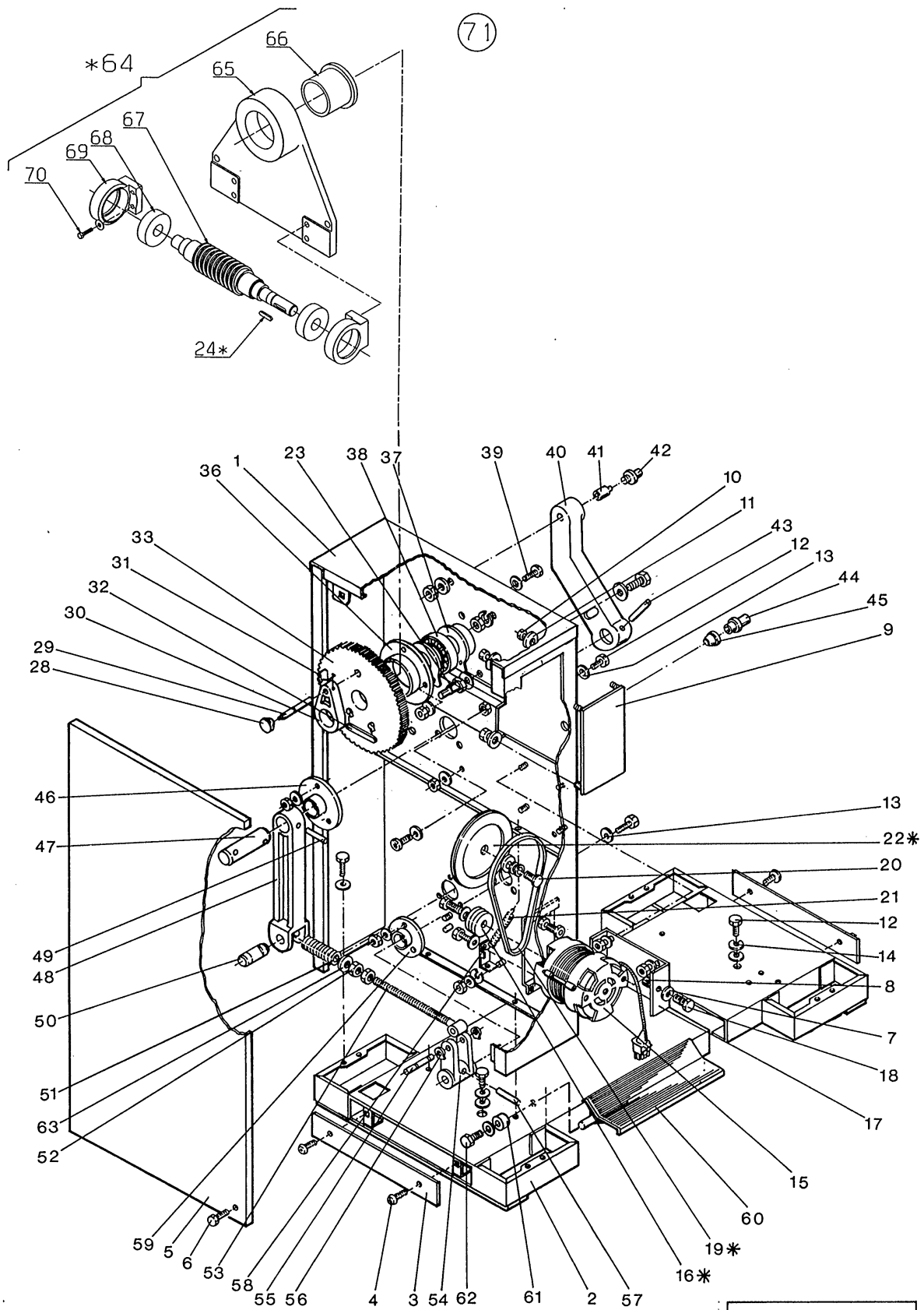
| Issue | Month | Year |
|-------|-------|------|
| 04    | 02    | 95   |



**IM2314 90/00807-****Left side with drive motor****Vänster sida med drivmotor**

| Illustration  | Issue    | Month    | Year        |
|---------------|----------|----------|-------------|
| Illustration  | Utgåva   | Månad    | År          |
| <b>100884</b> | <b>6</b> | <b>5</b> | <b>2002</b> |

| Item Pos. | Qua. Ant. | Art.No Art.nr      | Description   | Benämning   | Info Info | Notes Anmärkning    |
|-----------|-----------|--------------------|---------------|-------------|-----------|---------------------|
| <b>1</b>  | 1         | <b>489 7224-05</b> | Bracket       | Konsol      | 3         | White               |
|           | 1         | <b>489 7224-06</b> | Bracket       | Konsol      | 3         | Red                 |
|           | 1         | <b>489 7224-08</b> | Bracket       | Konsol      | 3         | Charcoal grey       |
|           | 1         | <b>489 7224-62</b> | Bracket       | Konsol      | 3         | Yellow              |
|           | 1         | <b>489 7224-63</b> | Bracket       | Konsol      | 3         | Beige               |
| <b>2</b>  | 1         | <b>489 7222-05</b> | Foundation    | Fundament   | 3         | White               |
|           | 1         | <b>489 7222-06</b> | Foundation    | Fundament   | 3         | Red                 |
|           | 1         | <b>489 7222-08</b> | Foundation    | Fundament   | 3         | Charcoal grey       |
|           | 1         | <b>489 7222-62</b> | Foundation    | Fundament   | 3         | Yellow              |
|           | 1         | <b>489 7222-63</b> | Foundation    | Fundament   | 3         | Beige               |
| <b>3</b>  | 2         | <b>489 7192-05</b> | Cover         | Avskärmning | 3         | White               |
|           | 2         | <b>489 7192-06</b> | Cover         | Avskärmning | 3         | Red                 |
|           | 2         | <b>489 7192-08</b> | Cover         | Avskärmning | 3         | Charcoal grey       |
|           | 2         | <b>489 7192-62</b> | Cover         | Avskärmning | 3         | Yellow              |
|           | 2         | <b>489 7192-63</b> | Cover         | Avskärmning | 3         | Beige               |
| <b>4</b>  | 14        |                    | Screw         | Skruv       |           | M5X25               |
| <b>5</b>  | 1         | <b>489 7191-05</b> | Screen        | Skärm       | 3         | White               |
|           | 1         | <b>489 7191-06</b> | Screen        | Skärm       | 3         | Red                 |
|           | 1         | <b>489 7191-08</b> | Screen        | Skärm       | 3         | Charcoal grey       |
|           | 1         | <b>489 7191-62</b> | Screen        | Skärm       | 3         | Yellow              |
|           | 1         | <b>489 7191-63</b> | Screen        | Skärm       | 3         | Beige               |
| <b>6</b>  | 4         |                    | Screw         | Skruv       |           | M5X25               |
| <b>7</b>  | 2         |                    | Spring washer | Fjäderbrica |           | M8                  |
| <b>8</b>  | 2         | <b>489 7164-25</b> | Spacer        | Distans     | 3         |                     |
| <b>9</b>  | 1         | <b>489 7038-05</b> | Cover         | Avskärmning | 3         | White               |
|           | 1         | <b>489 7038-06</b> | Cover         | Avskärmning | 3         | Red                 |
|           | 1         | <b>489 7038-08</b> | Cover         | Avskärmning | 3         | Charcoal grey       |
|           | 1         | <b>489 7038-62</b> | Cover         | Avskärmning | 3         | Yellow              |
|           | 1         | <b>489 7038-63</b> | Cover         | Avskärmning | 3         | Beige               |
| <b>10</b> | 4         |                    | Nut           | Mutter      |           | M4                  |
| <b>11</b> | 4         |                    | Disc          | Skiva       |           | M4                  |
| <b>12</b> | 8         |                    | Screw         | Skruv       |           | M6X20               |
| <b>13</b> | 12        |                    | Disc          | Skiva       |           | Ø6,4/Ø12,5          |
| <b>14</b> | 4         |                    | Spring washer | Fjäderbrica |           | M6                  |
| <b>15</b> | 1         | <b>489 7164-04</b> | Motor         | Motor       | 1,2       |                     |
| <b>16</b> | 1         | <b>489 7164-09</b> | Pulley        | Remskiva    | 1         | 50Hz -9305/001889   |
|           | 1         | <b>489 7253-21</b> | Pulley        | Remskiva    | 1         | 50Hz 9305/001890-   |
|           | 1         | <b>489 7164-10</b> | Pulley        | Remskiva    | 1         | 60Hz -9305/001889   |
|           | 1         | <b>489 7253-31</b> | Pulley        | Remskiva    | 1         | 60Hz 9305/001890-   |
|           | 1         | <b>489 7164-15</b> | Motor bracket | Motorkonsol | 3         |                     |
| <b>18</b> | 2         |                    | Screw         | Skruv       |           | M8X12               |
| <b>19</b> | 1         | <b>489 7164-01</b> | Drive belt    | Drivrem     | 1,2       | -9305/001889        |
|           | 1         | <b>489 7164-41</b> | Drive belt    | Drivrem     | 1,2       | 9305/001890-        |
| <b>20</b> | 2         |                    | Screw         | Skruv       |           | M4x10               |
| <b>21</b> | 1         | <b>489 7164-23</b> | Spring        | Fjäder      | 3         |                     |
| <b>22</b> | 1         | <b>489 7053-16</b> | Pulley        | Remskiva    | 1         | -9305/001889        |
|           | 1         | <b>489 7238-14</b> | Pulley        | Remskiva    | 1         |                     |
| <b>23</b> | 2         | <b>489 7166-18</b> | Bearing       | Lager       | 1,2       | -9305/001889        |
|           | 2         | <b>489 7164-32</b> | Tap           | Tapp        | 1,2       | 9305/001890-        |
| <b>24</b> | 1         | <b>489 7053-18</b> | Wedge         | Kil         | 3         | 5X5X12 -9305/001889 |
|           | 1         | <b>487 5125-02</b> | Wedge         | Kil         | 3         | 5X5X20 9305/001890- |
| <b>25</b> |           |                    |               |             |           | Not used            |
| <b>26</b> |           |                    |               |             |           | Not used            |
| <b>27</b> |           |                    |               |             |           | Not used            |
| <b>28</b> | 1         | <b>489 7164-12</b> | Ball          | Kula        | 3         |                     |
| <b>29</b> | 1         | <b>489 7164-07</b> | Pin           | Stift       | 3         |                     |
| <b>30</b> | 1         | <b>489 7164-16</b> | Carrier       | Medbringare | 3         |                     |
| <b>31</b> | 1         | <b>489 7164-14</b> | Spring        | Fjäder      | 3         |                     |
| <b>32</b> | 1         | <b>489 7164-13</b> | Pin           | Stift       | 3         |                     |



100884

71 = Kit including all numbers marked with \*

| Issue | Month | Year |
|-------|-------|------|
| 04    | 02    | 95   |

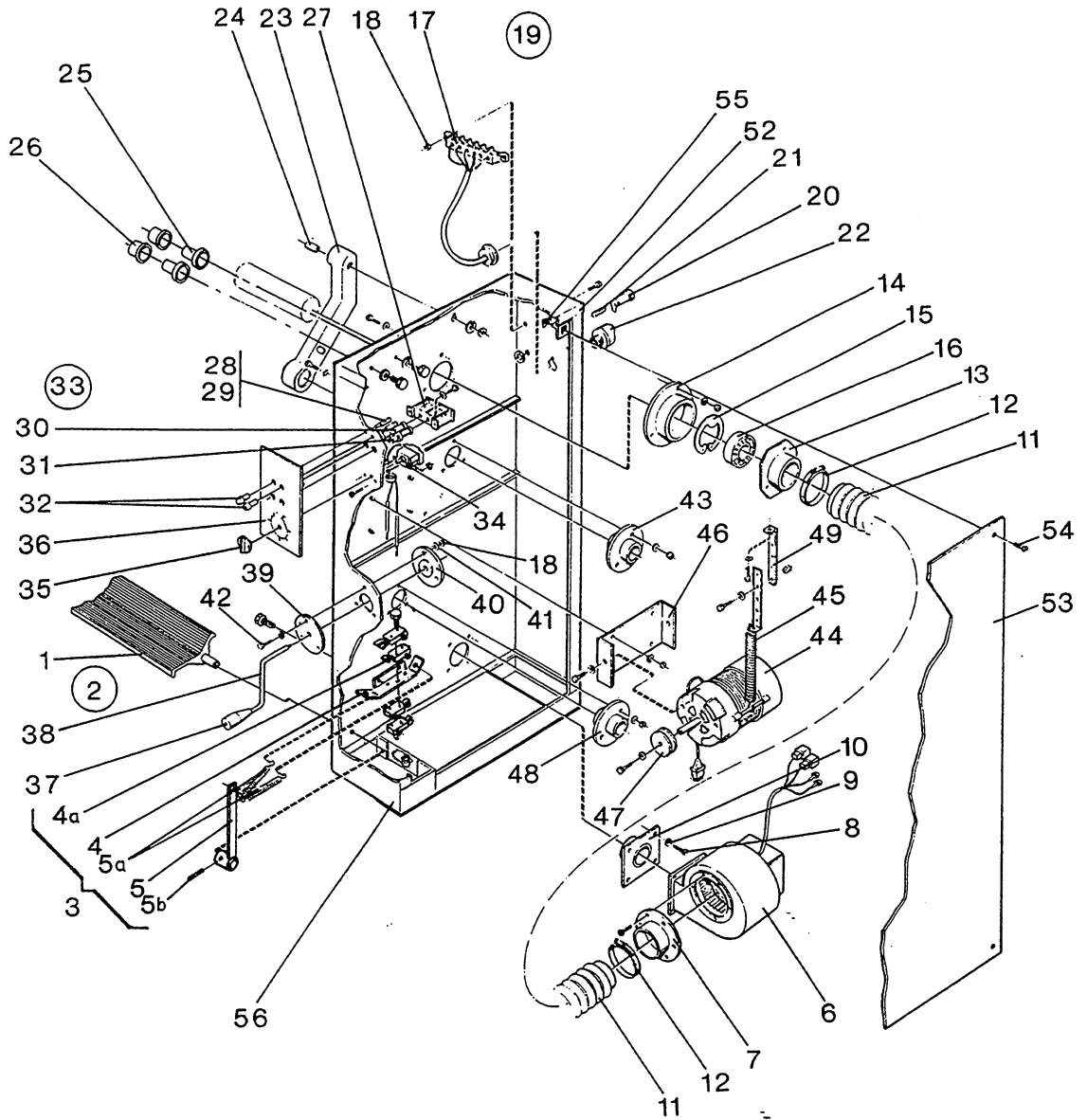
## IM2314 90/00807-

## Left side with drive motor

## Vänster sida med drivmotor

| Illustration  | Issue    | Month    | Year        |
|---------------|----------|----------|-------------|
| Illustration  | Utgåva   | Månad    | År          |
| <b>100884</b> | <b>6</b> | <b>5</b> | <b>2002</b> |

| Item Pos. | Qua. Ant. | Art.No Art.nr | Description        | Benämning       | Info Info | Notes Anmärkning      |
|-----------|-----------|---------------|--------------------|-----------------|-----------|-----------------------|
| 33        | 1         | 489 7164-06   | Worm wheel         | Snäckhjul       | 3         |                       |
| 34        |           |               |                    |                 |           | Not used              |
| 35        |           |               |                    |                 |           | Not used              |
| 36        | 1         | 489 7164-18   | Rollo support      | Valshållare     | 3         |                       |
| 37        | 2         | 735 3151-10   | •C-clamp           | •Segersäkkring  | 3         | 68X2,5                |
| 38        | 1         | 738 2108-04   | •Ball bearing      | •Kullager       | 1,2       | 6008 2RS              |
| 39        | 19        |               | Screw              | Skruv           |           | M5X10                 |
| 40        | 1         | 489 7179-24   | Ironing arm        | Strykarm        | 3         | Left                  |
| 41        | 1         | 489 7153-04   | •Spacer sleeve     | •Distanshylla   | 3         |                       |
| 42        | 2         | 489 7182-04   | Tap                | Tapp            | 3         |                       |
| 43        | 1         | 489 7179-26   | Wedge              | Kil             | 3         |                       |
| 44        | 1         | 489 7182-03   | Tap                | Tapp            | 3         |                       |
| 45        | 1         | 489 7182-07   | Bushing            | Bussning        | 3         |                       |
| 46        | 1         | 489 7179-02   | Bearing            | Lager           | 1,2       |                       |
| 47        | 1         | 489 7179-23   | Shaft              | Axel            | 3         |                       |
| 48        | 1         | 489 7179-08   | Fork arm           | Gaffelarm       | 3         | Charcoal grey         |
| 49        | 1         | 721 4421-00   | Lock pin           | Spännstift      | 3         | Ø10X50                |
| 50        | 1         | 489 7179-15   | Tap                | Tapp            | 3         |                       |
| 51        | 1         | 489 7179-18   | Spring             | Fjäder          | 3         |                       |
| 52        | 2         |               | Nut                | Mutter          |           | M12                   |
| 53        | 1         | 489 7179-17   | Eye bolt           | Öglebult        | 3         |                       |
| 54        | 1         | 489 7179-06   | Fork arm           | Gaffelarm       | 3         |                       |
| 55        | 1         | 489 7166-03   | Tap                | Tapp            | 3         |                       |
| 56        |           | 735 3114-00   | C-clamp            | Segersäkkring   | 3         | D12                   |
| 57        | 1         | 721 4385-00   | Lock pin           | Spännstift      | 3         | Ø8X50                 |
| 58        | 1         | 489 7164-36   | Spring holder      | Fjäderhållare   | 3         |                       |
| 59        | 1         | 489 7179-04   | Bearing            | Lager           | 1,2       |                       |
| 60        | 1         |               | Pedal              | Pedal           |           | See illustr. 100882   |
| 61        | 1         | 489 7184-10   | Spacer sleeve      | Distanshylla    | 3         |                       |
| 62        | 1         |               | Screw              | Skruv           |           | M6X10                 |
| 63        | 1         | 489 7179-16   | Spring shoe        | Fjädersko       | 3         |                       |
| 64        | 1         | 489 7164-40   | Worm gear          | Snäcka          | 3         | Complete -9305/001889 |
|           | 1         | 489 7164-42   | Repair kit         | Reperationssats | 3         | 9305/001890-          |
| 65        | 1         | 489 7164-28   | •Support cradle    | •Stödvagga      | 3         |                       |
| 66        | 1         | 489 7164-30   | •Bearing bushing   | •Lagerbussning  | 3         |                       |
| 67        | 1         | 489 7164-37   | •Worm drive roller | •Vals snacka    | 3         | 9305/001890-          |
| 68        | 2         | 489 7270-04   | •Bearing           | •Lager          | 1,2       | 6302-2RS 9305/001890- |
| 69        | 2         | 489 7270-03   | •Bearing cage      | •Lågerhållare   | 3         | 9305/001890-          |
| 70        | 4         |               | •Screw             | •Skruv          |           | M6X16                 |
| 71        | 1         | 489 7166-26   | Repair kit         | Reperationssats | 3         | -9107/001225          |



100883

| Issue | Month | Year |
|-------|-------|------|
| 02    | 08    | 93   |

IM2314 90/00807-

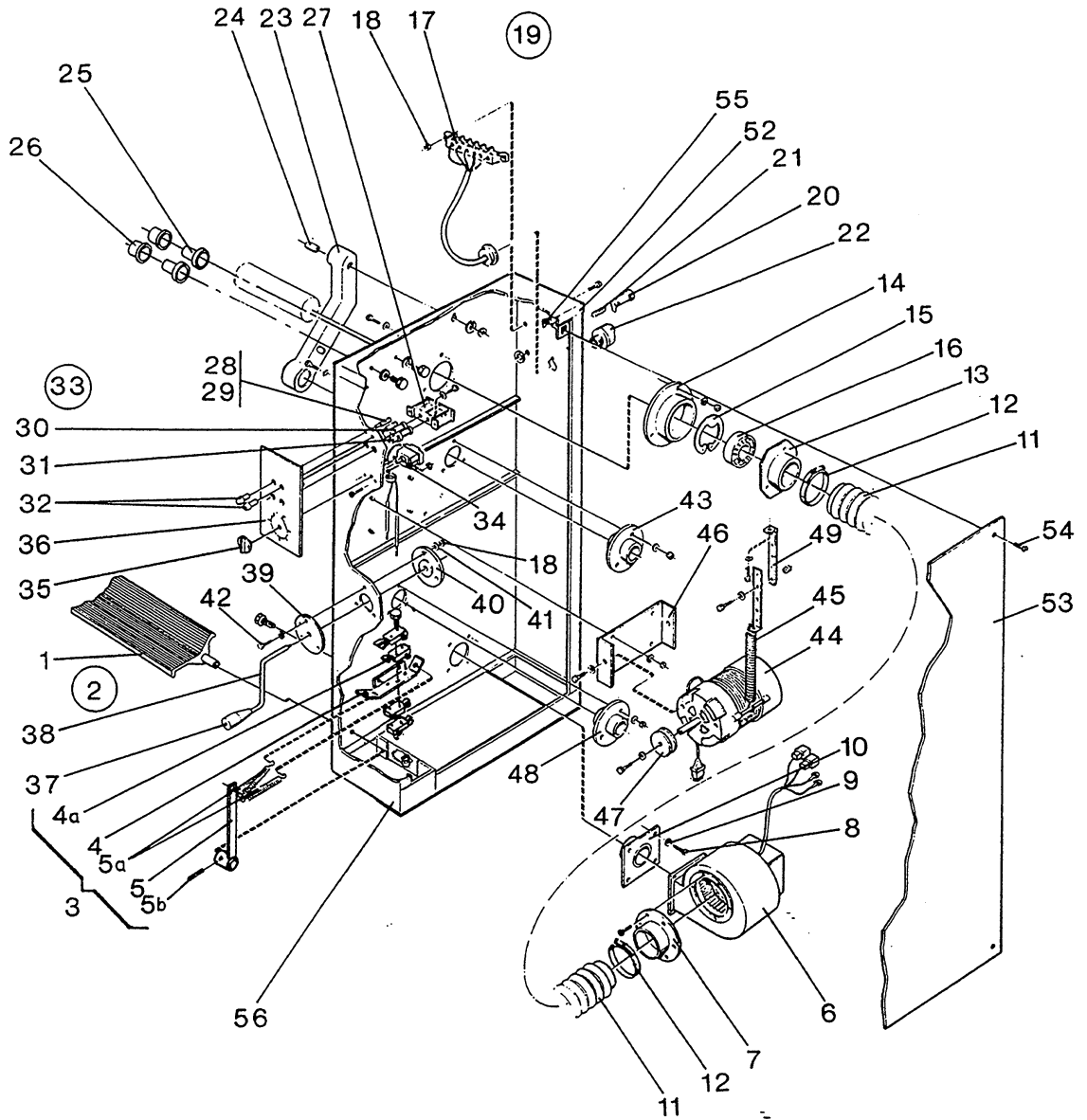
Right side with control panel

Illustration Issue Month Year  
Illustration Utgåva Månad År

Höger sida med manöverpanel

100883/2 4 5 2002

| Item Pos. | Qua. Ant. | Art.No Art.nr | Description           | Benämning        | Info Info | Notes Anmärkning    |
|-----------|-----------|---------------|-----------------------|------------------|-----------|---------------------|
| 1         | 1         |               | Pedal                 | Pedal            |           | See illustr. 100882 |
| 2         | 1         | 489 7198-02   | Cable set             | Ledningssats     | 3         | Contactator         |
| 3         | 1         | 489 7184-14   | Arm                   | Arm              | 3         | -9301/001784        |
|           | 1         | 489 7229-02   | Spare parts kit       | Reservdelssats   | 3         | 9301/001785-        |
| 4         | 1         | 489 7184-15   | •Assembly plate       | •Monteringsplåt  | 3         |                     |
| 4A        | 4         | 489 5707-02   | •Microswitch          | •Mikrobrytare    | 1,2       |                     |
| 5         | 1         | 489 7184-14   | •Arm                  | •Arm             | 3         |                     |
| 5A        | 2         | 489 6215-29   | •Spring               | •Fjäder          | 3         |                     |
| 5B        | 2         |               | •Screw                | •Skruv           |           | M5X6                |
| 6         | 1         | 489 7186-01   | Fan                   | Fläkt            | 3         |                     |
| 7         | 1         | 489 7186-02   | Connection branch     | Anslutning       | 3         |                     |
| 8         | 4         |               | Screw                 | Skruv            |           | B14X19              |
| 9         | 4         |               | Screw                 | Skruv            |           | M8                  |
| 10        | 1         | 489 7186-08   | Evacuation connection | Utsugningstos    | 3         | Charcoal grey       |
| 11        | 1         | 489 7186-06   | Evacuating hose       | Utsugningsslang  | 3         | Ø83X850             |
| 12        | 2         | 763 2843-51   | Hose clamp            | Slangklämma      | 3         | D75                 |
| 13        | 1         | 489 7164-08   | Connection branch     | Anslutning       | 3         | Charcoal grey       |
| 14        | 1         | 489 7164-18   | Rollo support         | Valshållare      | 3         |                     |
| 15        | 2         | 735 3151-10   | C-clamp               | Segersäkkring    | 3         | 68X2,5              |
| 16        | 1         | 738 2108-04   | Ball bearing          | Kullager         | 1,2       | 6008 2RS            |
| 17        | 1         | 489 7194-02   | Terminal block        | Klämräcke        | 3         |                     |
| 18        | 5         |               | Nut                   | Mutter           |           | M6                  |
| 19        |           | 489 7196-02   | Cable set             | Ledningssats     | 3         | Connection          |
| 20        | 1         | 762 8801-22   | Fuse holder           | Säkringshållare  | 3         |                     |
| 21        | 1         | 471 9004-45   | Precision fuse        | Finsäkkring      | 1,2       | 1,25A               |
| 22        | 1         | 471 8752-04   | Cable gland           | Kabelgenomföring | 3         | PG16                |
| 23        | 1         | 489 7179-25   | Ironing arm           | Strykarm         | 3         | Right               |
| 24        | 1         | 489 7153-04   | Spacer sleeve         | Distanshylla     | 3         |                     |
| 25        | 2         | 489 7215-04   | Tap                   | Tapp             | 3         |                     |
| 26        | 1         | 489 7182-07   | Bushing               | Bussning         | 3         |                     |
| 27        | 1         | 489 7085-02   | Push-button           | Tryckknapp       | 1,2       |                     |
| 28        | 1         | 763 1001-01   | Pilot lamp            | Signallampa      | 1,2       | 230-240V            |
| 29        | 1         | 763 1802-01   | Lamp glass            | Lampeglas        | 3         | Red -9301/001785    |
| 30        | 1         | 489 7085-12   | Button                | Knopp            | 3         | White               |
| 31        | 1         | 489 7085-11   | Button                | Knopp            | 3         | Red                 |
| 32        | 2         | 736 1804-01   | Glass                 | Glas             | 3         | White               |
| 33        | 1         | 489 7203-04   | Cable set             | Ledningssats     | 3         | Keyboard            |
| 34        | 1         | 489 7085-01   | Thermostat            | Termostat        | 1,2       |                     |
| 35        | 1         | 472 8534-03   | Button                | Knopp            | 3         | Black               |
| 36        | 1         | 487 1235-01   | Sign                  | Skylt            | 3         | Nyborg              |
|           | 1         | 487 1235-02   | Sign                  | Skylt            | 3         | Osby                |
|           | 1         | 487 1235-03   | Sign                  | Skylt            | 3         | Lincoln             |
|           | 1         | 487 1235-04   | Sign                  | Skylt            | 3         | Peko                |
|           | 1         | 487 1235-05   | Sign                  | Skylt            | 3         | Electrolux Wascator |
|           | 1         | 487 1235-07   | Sign                  | Skylt            | 3         | Electrolux Zanker   |
|           | 1         | 487 1235-09   | Sign                  | Skylt            | 3         | Zanussi             |
| 37        | 1         | 489 7189-07   | Handle                | Handtag          | 3         |                     |
| 38        | 1         | 489 7189-05   | Handcrank             | Handvev          | 3         |                     |
| 39        | 1         | 489 7189-06   | Flange                | Fläns            | 3         | Ø63X850             |
| 40        | 1         | 489 7189-03   | Flange                | Fläns            | 3         |                     |
| 41        | 6         |               | Disc                  | Skiva            |           | Ø6,4/Ø12,5          |
| 42        | 3         |               | Screw                 | Skruv            |           | M6X20               |
| 43        | 1         | 489 7179-02   | Bearing               | Lager            | 1,2       |                     |
| 44        | 1         | 489 7164-04   | Motor                 | Motor            | 1,2       |                     |
| 45        | 1         | 489 7166-05   | Spring                | Fjäder           | 3         |                     |
| 46        | 1         | 489 7164-15   | Motor bracket         | Motorkonsol      | 3         |                     |
| 47        | 1         | 489 7164-09   | Pulley                | Remskiva         | 1         | 50Hz -9305/001889   |
|           | 1         | 489 7253-21   | Pulley                | Remskiva         | 1         | 50Hz 9305/001890-   |
|           | 1         | 489 7164-10   | Pulley                | Remskiva         | 1         | 60Hz -9305/01889    |



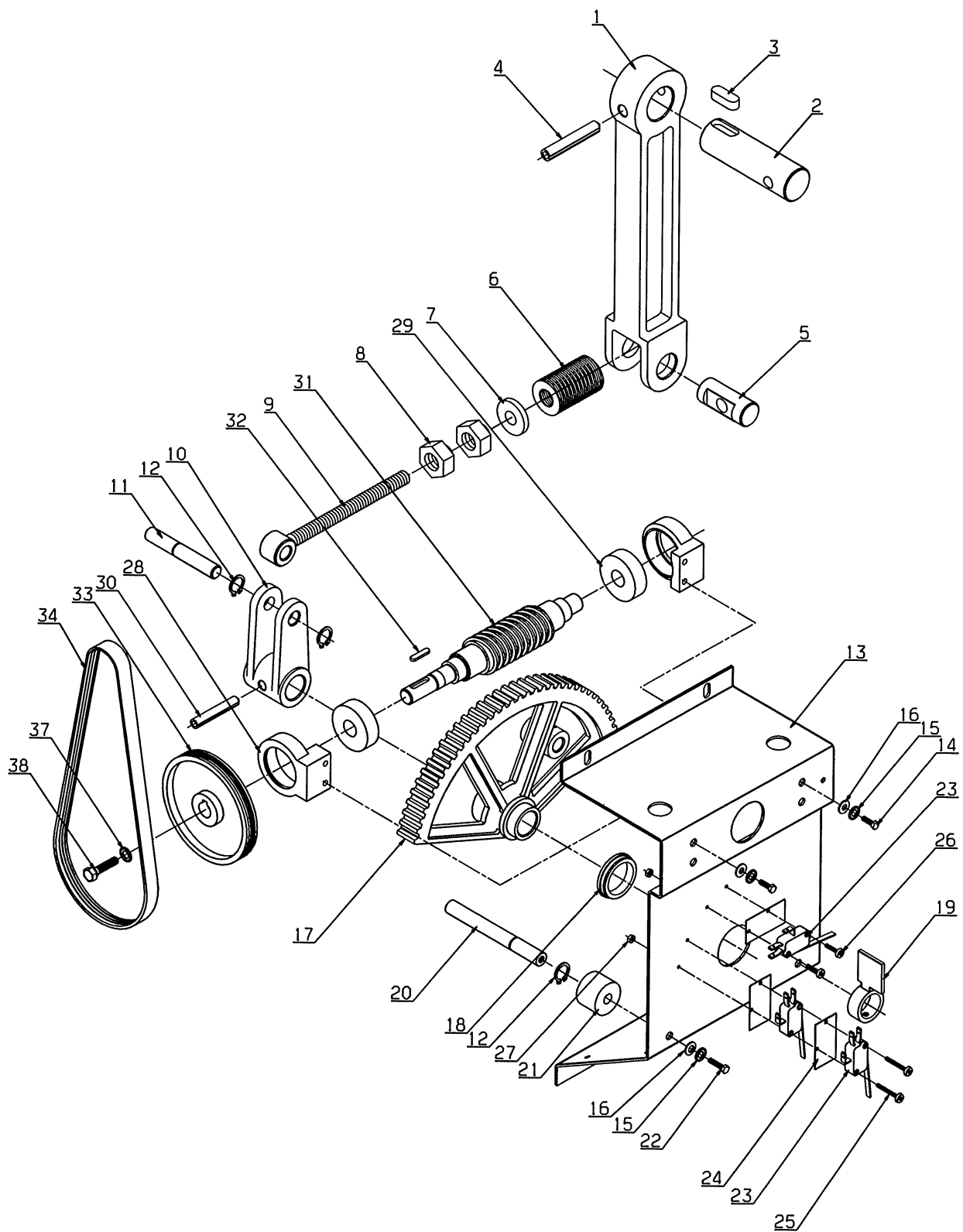
100883

| Issue | Month | Year |
|-------|-------|------|
| 02    | 08    | 93   |

**IM2314 90/00807-****Right side with control panel****Höger sida med manöverpanel**

| Illustration    | Issue    | Month    | Year        |
|-----------------|----------|----------|-------------|
| Illustration    | Utgåva   | Månad    | År          |
| <b>100883/2</b> | <b>4</b> | <b>5</b> | <b>2002</b> |

| Item Pos. | Qua. Ant. | Art.No Art.nr      | Description | Benämning | Info Info | Notes Anmärkning    |
|-----------|-----------|--------------------|-------------|-----------|-----------|---------------------|
| <b>48</b> | 1         | <b>489 7253-31</b> | Pulley      | Remskiva  | 1         | 60Hz 9305/001890-   |
|           | 1         | <b>489 7179-04</b> | Bearing     | Lager     | 1,2       |                     |
| <b>49</b> | 2         | <b>489 7166-11</b> | Support     | Stöd      | 3         |                     |
| <b>50</b> |           |                    |             |           |           | Not used            |
| <b>51</b> |           |                    |             |           |           | Not used            |
| <b>52</b> | 1         | <b>489 7223-05</b> | Bracket     | Konsol    | 3         | White               |
|           | 1         | <b>489 7223-06</b> | Bracket     | Konsol    | 3         | Red                 |
|           | 1         | <b>489 7223-08</b> | Bracket     | Konsol    | 3         | Charcoal grey       |
|           | 1         | <b>489 7223-62</b> | Bracket     | Konsol    | 3         | Yellow              |
|           | 1         | <b>489 7223-63</b> | Bracket     | Konsol    | 3         | Beige               |
|           | 1         | <b>489 7191-05</b> | Screen      | Skärm     | 3         | White               |
| <b>53</b> | 1         | <b>489 7191-06</b> | Screen      | Skärm     | 3         | Red                 |
|           | 1         | <b>489 7191-08</b> | Screen      | Skärm     | 3         | Charcoal grey       |
|           | 1         | <b>489 7191-62</b> | Screen      | Skärm     | 3         | Yellow              |
|           | 1         | <b>489 7191-63</b> | Screen      | Skärm     | 3         | Beige               |
| <b>54</b> | 4         |                    | Screw       | Skruv     |           | M5X25               |
| <b>55</b> | 4         |                    | Nut         | Mutter    |           | M5                  |
| <b>56</b> | 1         |                    | Foundation  | Fundament |           | See illustr. 100884 |



10 08 85

| Issue | Month | Year |
|-------|-------|------|
| 03    | 02    | 95   |

Tegn. 489 72 10 17



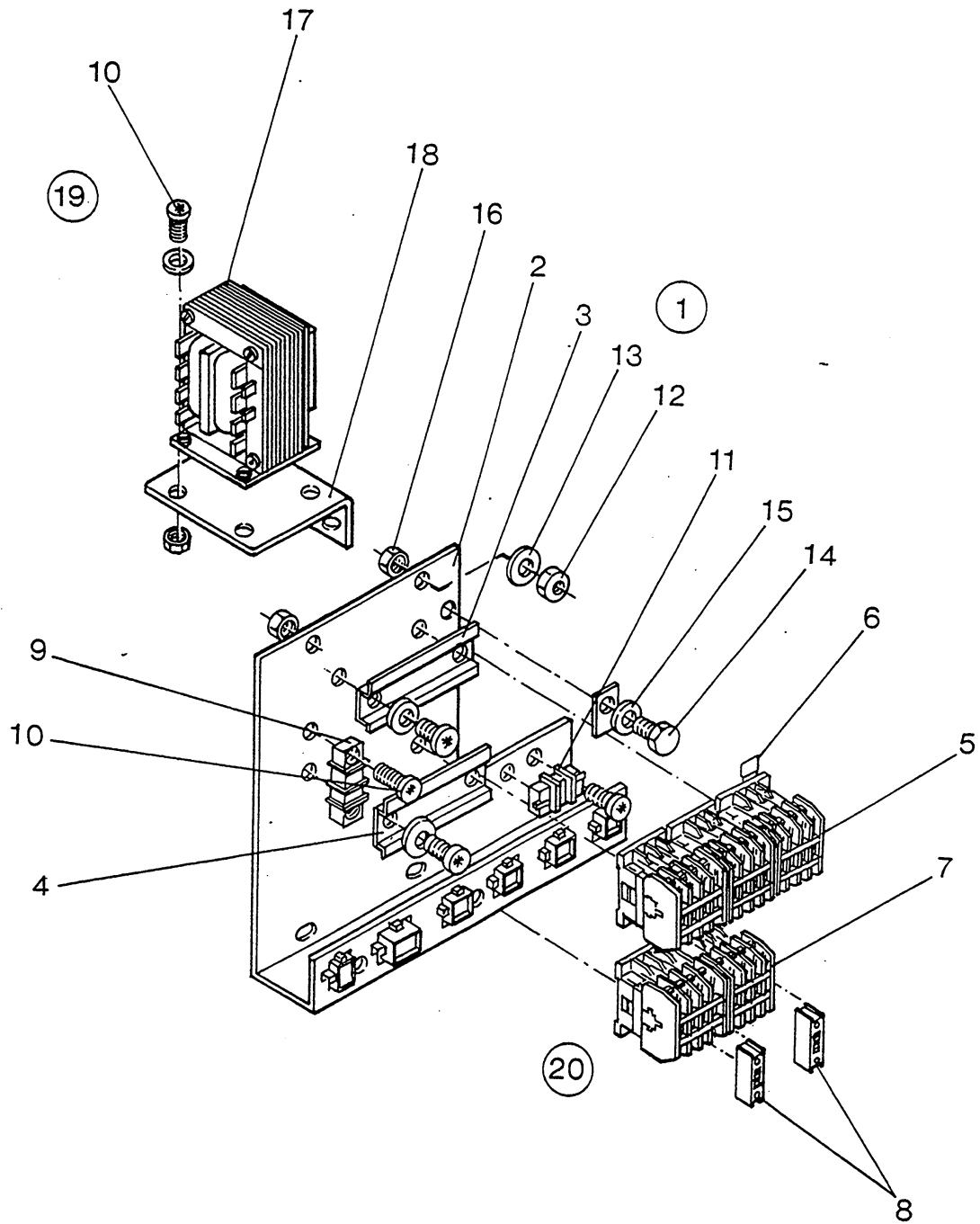
IM2314 90/00807-

Worm transmission for chest

|                 |          |          |             |
|-----------------|----------|----------|-------------|
| Illustration    | Issue    | Month    | Year        |
| Illustration    | Utgåva   | Månad    | År          |
| <b>100885/3</b> | <b>7</b> | <b>5</b> | <b>2002</b> |

Snäckväxel för stryksula

| Item Pos. | Qua. Ant. | Art.No Art.nr | Description     | Benämning     | Info Info | Notes Anmärkning      |
|-----------|-----------|---------------|-----------------|---------------|-----------|-----------------------|
| 1         | 1         | 489 7179-08   | Fork arm        | Gaffelarm     | 3         | Charcoal grey         |
| 2         | 1         | 489 7179-23   | Shaft           | Axel          | 3         |                       |
| 3         | 1         | 489 7179-26   | Wedge           | Kil           | 3         |                       |
| 4         | 1         | 721 4423-00   | Pin             | Stift         | 3         | Ø10X60                |
| 5         | 1         | 489 7179-15   | Tap             | Tapp          | 3         |                       |
| 6         | 1         | 489 7179-18   | Spring          | Fjäder        | 3         |                       |
| 7         | 1         | 489 7179-16   | Spring shoe     | Fjädersko     | 3         |                       |
| 8         | 2         |               | Nut             | Mutter        |           | M12                   |
| 9         | 1         | 489 7179-17   | Eye bolt        | Öglebult      | 3         |                       |
| 10        | 1         | 489 7179-06   | Fork arm        | Gaffelarm     | 3         |                       |
| 11        | 1         | 489 7166-02   | Tap             | Tapp          | 3         |                       |
| 12        | 3         | 735 3114-00   | C-clamp         | Segersäkkring | 3         | D12                   |
| 13        | 1         | 489 7166-10   | Housing         | Hus           | 3         | -9305/001889          |
|           | 1         | 489 7166-25   | Housing         | Hus           | 3         | 9305/001890-          |
| 14        | 8         |               | Screw           | Skruv         |           | M6X16                 |
| 15        | 4         |               | Spring washer   | Fjäderbrica   |           | M6                    |
| 16        | 4         |               | Disc            | Skiva         |           | Ø6,4/Ø12,5            |
| 17        | 1         | 489 7166-20   | Gear segment    | Kuggsegment   | 3         |                       |
| 18        | 1         | 489 7166-07   | Bushing         | Bussning      | 3         |                       |
| 19        | 1         | 489 7166-06   | Bushing         | Bussning      | 3         |                       |
| 20        | 2         | 489 7166-08   | Shaft           | Axel          | 3         |                       |
| 21        | 2         | 489 7166-12   | Rubber bushing  | Gummibussning | 3         |                       |
| 21A       | 1         | 735 3114-00   | C-clamp         | Segersäkkring | 3         | D12 9305/001890-      |
| 22        | 8         |               | Screw           | Skruv         |           | M6X12                 |
| 23        | 3         | 489 5705-03   | Microswitch     | Mikrobrytare  | 1,2       |                       |
| 24        | 3         | 488 5173-06   | Insulation      | Isolering     | 3         |                       |
| 25        | 2         |               | Screw           | Skruv         |           | M3X25                 |
| 26        | 2         |               | Screw           | Skruv         |           | M3X16                 |
| 27        | 4         |               | Nut             | Mutter        |           | M3                    |
| 28        | 2         | 489 7166-18   | Bearing         | Lager         | 1,2       | -9305/001889          |
|           | 2         | 489 7270-03   | Bearing cage    | Lågerhållare  | 3         | 9305/001890-          |
| 29        | 2         | 489 7166-14   | Bearing bushing | Lagerbussning | 3         | -9305/001889          |
|           | 2         | 489 7270-04   | Bearing         | Lager         | 1,2       | 6302-2RS 9305/001890- |
| 30        | 1         | 721 4385-00   | Lock pin        | Spännstift    | 3         | Ø8X50                 |
| 31        | 1         | 489 7166-09   | Worm gear       | Snäcka        | 3         | -9305/001889          |
|           | 1         | 489 7166-24   | Worm gear       | Snäcka        | 3         | 9305/001890-          |
| 32        | 1         | 487 5125-02   | Wedge           | Kil           | 3         | 5X5X20                |
| 33        | 1         | 489 7166-21   | Pulley          | Remskiva      | 1         | -9305/001889          |
|           | 1         | 489 7238-14   | Pulley          | Remskiva      | 1         | 9305/001890-          |
| 34        | 1         | 489 7164-01   | Drive belt      | Drivrem       | 1,2       | -9305/001889          |
|           | 1         | 489 7164-41   | Drive belt      | Drivrem       | 1,2       | 9305/001890-          |
| 36        |           |               |                 |               |           | Not used              |
| 37        | 1         |               | Disc            | Skiva         |           | M4                    |
| 38        | 1         |               | Screw           | Skruv         |           | M4x10                 |



100886

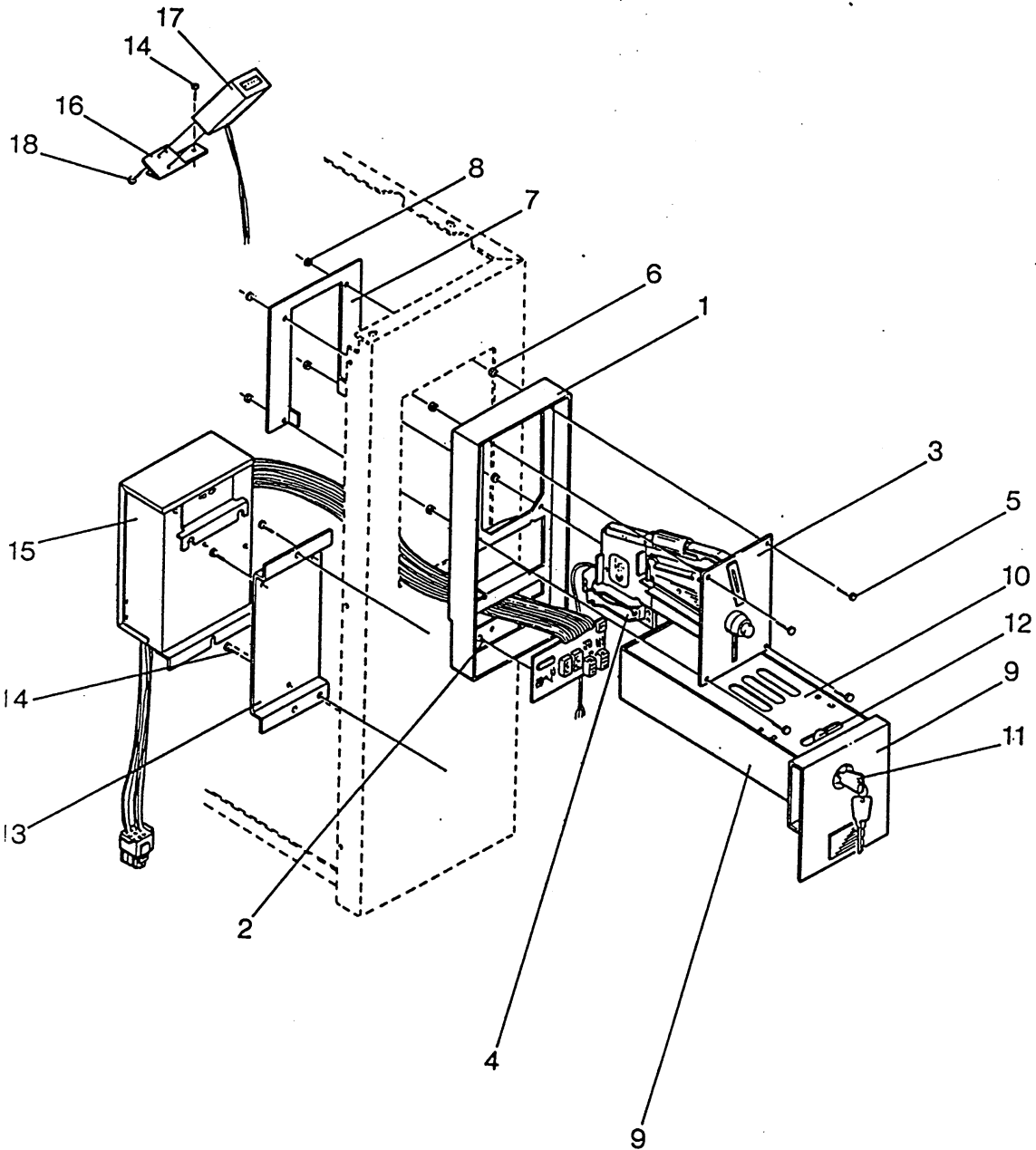
| Issue | Month | Year |
|-------|-------|------|
| 01    | 10    | 90   |

**IM2314 90/00807-****Control unit**

| Illustration    | Issue    | Month    | Year        |
|-----------------|----------|----------|-------------|
| Illustration    | Utgåva   | Månad    | År          |
| <b>100886/1</b> | <b>4</b> | <b>5</b> | <b>2002</b> |

**Automatenhet**

| Item Pos. | Qua. Ant. | Art.No Art.nr      | Description     | Benämning     | Info Info | Notes Anmärkning |
|-----------|-----------|--------------------|-----------------|---------------|-----------|------------------|
| <b>1</b>  | 1         | <b>489 7185-10</b> | Control unit    | Automatenhet  | 3         | Complete         |
| <b>2</b>  | 1         | <b>489 7185-04</b> | Component plate | Komponentplåt | 3         |                  |
| <b>3</b>  | 1         | <b>489 7118-04</b> | Rail            | Skena         | 3         |                  |
| <b>4</b>  | 1         | <b>489 7185-03</b> | Rail            | Skena         | 3         |                  |
| <b>5</b>  | 3         | <b>767 5112-09</b> | Relay           | Relä          | 1,2       |                  |
| <b>6</b>  | 5         | <b>487 0289-17</b> | RC-unit         | RC-led        | 1,2       |                  |
| <b>7</b>  | 2         | <b>767 5102-09</b> | Relay           | Relä          | 1,2       |                  |
| <b>8</b>  | 2         | <b>767 5101-92</b> | Contact block   | Kontaktblock  | 1,2       | Green            |
| <b>9</b>  | 1         | <b>489 7085-20</b> | Terminal block  | Klämräcke     | 3         | 1-pol            |
| <b>10</b> | 8         |                    | Screw           | Skruv         |           | M4x10            |
| <b>11</b> | 1         | <b>489 7085-20</b> | Terminal block  | Klämräcke     | 3         | 1-pol            |
| <b>12</b> | 8         |                    | Nut             | Mutter        |           | M4               |
| <b>13</b> | 8         |                    | Spring washer   | Fjäderbrica   |           | M4               |
| <b>14</b> | 1         |                    | Screw           | Skruv         |           | M5X25            |
| <b>15</b> | 2         |                    | Disc            | Skiva         |           | M5               |
| <b>16</b> | 6         | <b>472 7414-01</b> | Spacer sleeve   | Distanshylla  | 3         | Ø10/Ø6           |
| <b>17</b> | 1         | <b>489 7185-01</b> | Transformer     | Transformator | 1,2       | 400V/230V-140V   |
| <b>18</b> | 1         | <b>489 7185-05</b> | Bracket         | Konsol        | 3         |                  |
| <b>19</b> | 1         | <b>489 7185-07</b> | Cable set       | Ledningssats  | 3         | Transformer      |
| <b>20</b> | 1         | <b>489 7195-01</b> | Cable set       | Ledningssats  | 3         | Contactore       |



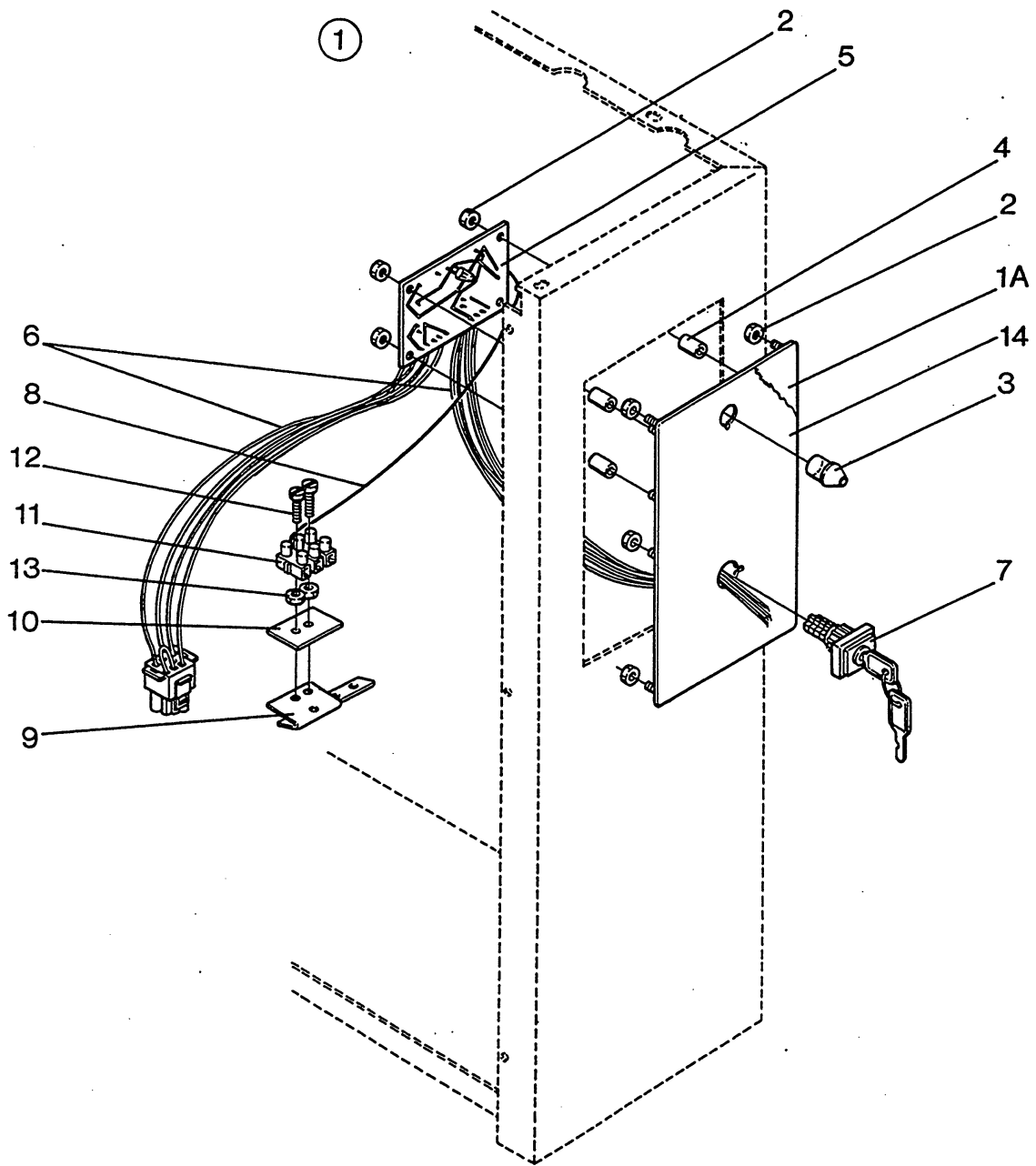
100887

| Issue | Month | Year |
|-------|-------|------|
| 01    | 10    | 90   |

**IM2314 90/00807-****Coin meter components****Myntmätardetaljer**

|                 |          |          |             |
|-----------------|----------|----------|-------------|
| Illustration    | Issue    | Month    | Year        |
| Illustration    | Utgåva   | Månad    | År          |
| <b>100887/1</b> | <b>5</b> | <b>5</b> | <b>2002</b> |

| Item Pos. | Qua. Ant. | Art.No Art.nr | Description     | Benämning      | Info Info | Notes Anmärkning |
|-----------|-----------|---------------|-----------------|----------------|-----------|------------------|
| 1         | 1         | 487 1047-08   | Frame           | Karm           | 3         | Charcoal grey    |
| 2         | 1         | 487 1057-02   | Spacer element  | Distansstycke  | 3         |                  |
| 3         | 1         |               | Coin meter      | Myntmätare     |           | group 8525-26    |
| 4         | 1         | 471 8910-91   | •Sensor         | •Sensor        | 1,2       |                  |
| 5         | 4         |               | Screw           | Skruv          |           | M4x15            |
| 6         | 4         |               | Locking nut     | Låsmutter      |           | M4               |
| 7         | 1         | 487 1057-01   | Plate           | Plåt           | 3         |                  |
| 8         | 4         |               | Nut             | Mutter         |           | M4               |
| 9         | 1         | 489 7169-00   | Coin box        | Myntlåda       | 3         | Complete         |
| 10        | 1         | 489 7174-00   | Cover           | Lock           | 3         |                  |
| 11        | 1         | 487 1044-09   | •Lock           | •Lås           | 3         |                  |
| 12        | 1         | 487 1707-04   | •Lock catch     | •Låshake       | 3         |                  |
| 13        | 1         | 489 7079-04   | Bracket         | Konsol         | 3         |                  |
| 14        | 5         |               | Screw           | Skruv          |           | B8X13            |
| 15        | 1         | 487 1064-10   | Coin electronic | Myntelektronik | 1         | 1-4-20-40, 220V  |
| 16        | 1         | 489 7087-02   | Fitting         | Beslag         | 3         |                  |
| 17        | 1         | 487 1064-04   | Coin counter    | Mynträknare    | 1         | 12V              |
| 18        | 2         |               | Screw           | Skruv          |           | M3X6             |



100888

| Issue | Month | Year |
|-------|-------|------|
| 02    | 12    | 89   |

IM2314 90/00807-

Central control

Centralstyrning

| Illustration | Issue  | Month | Year |
|--------------|--------|-------|------|
| Illustration | Utgåva | Månad | År   |
| 100888/2     | 5      | 5     | 2002 |

| Item Pos. | Qua. Ant. | Art.No Art.nr | Description           | Benämning      | Info Info | Notes Anmärkning |
|-----------|-----------|---------------|-----------------------|----------------|-----------|------------------|
| 1         | 1         | 472 7487-05   | Cover                 | Avskärmning    | 3         | Complete         |
| 1A        | 1         |               | Cover                 | Avskärmning    |           |                  |
| 2         | 10        |               | Nut                   | Mutter         |           | M4               |
| 3         | 1         | 471 9652-50   | Lamp glass            | Lampeglas      | 3         | Red              |
| 4         | 4         | 489 6260-80   | Spacer pipe           | Distansrör     | 3         | Ø4/Ø7X13         |
| 5         | 1         | 472 7854-01   | Printed circuit board | Kretskort      | 1,2       |                  |
| 6         | 1         | 472 7857-02   | Cable set             | Ledningssats   | 3         |                  |
| 7         | 1         | 488 6571-01   | •Key switch           | •Nyckelbrytare | 1,2       |                  |
| 8         | 1         | 472 7886-01   | Connector cable       | Mellanledning  | 3         |                  |
| 9         | 1         | 489 7087-02   | Fitting               | Beslag         | 3         |                  |
| 10        | 1         | 472 7887-02   | Sign                  | Skylt          | 3         |                  |
| 11        | 1         | 488 7015-06   | Terminal block        | Klämräcke      | 3         |                  |
| 12        | 2         |               | Screw                 | Skruv          |           | M3X16            |
| 13        | 2         |               | Nut                   | Mutter         |           | M3               |
| 14        | 1         | 472 7863-01   | Sign                  | Skylt          | 3         | Swedish          |
|           | 1         | 472 7863-02   | Sign                  | Skylt          | 3         | Danish           |
|           | 1         | 472 7863-03   | Sign                  | Skylt          | 3         | English          |
|           | 1         | 472 7863-04   | Sign                  | Skylt          | 3         | French           |
|           | 1         | 472 7863-05   | Sign                  | Skylt          | 3         | German           |
|           | 1         | 472 7863-07   | Sign                  | Skylt          | 3         | Norwegian        |





Numerical index/Nummerregister

| Art.No/Art.nr | Page/Sida | Art.No/Art.nr | Page/Sida | Art.No/Art.nr | Page/Sida | Art.No/Art.nr | Page/Sida |
|---------------|-----------|---------------|-----------|---------------|-----------|---------------|-----------|
| 471 8752-04   | 7         | 487 1235-09   | 17        | 489 7087-02   | 47        | 489 7164-12   | 9         |
| 471 8752-04   | 17        | 487 1235-09   | 37        | 489 7118-04   | 43        | 489 7164-12   | 13        |
| 471 8752-04   | 37        | 487 1525-02   | 13        | 489 7144-01   | 7         | 489 7164-12   | 33        |
| 471 8910-91   | 25        | 487 1707-04   | 25        | 489 7144-01   | 11        | 489 7164-13   | 9         |
| 471 8910-91   | 45        | 487 1707-04   | 45        | 489 7144-01   | 29        | 489 7164-13   | 13        |
| 471 9004-45   | 7         | 487 5125-02   | 9         | 489 7152-01   | 7         | 489 7164-13   | 33        |
| 471 9004-45   | 17        | 487 5125-02   | 23        | 489 7152-01   | 11        | 489 7164-14   | 9         |
| 471 9004-45   | 37        | 487 5125-02   | 33        | 489 7152-01   | 29        | 489 7164-14   | 13        |
| 471 9603-05   | 7         | 487 5125-02   | 41        | 489 7153-02   | 11        | 489 7164-14   | 33        |
| 471 9603-05   | 15        | 487 7061-34   | 9         | 489 7153-02   | 29        | 489 7164-15   | 9         |
| 471 9652-50   | 27        | 488 0090-01   | 29        | 489 7153-04   | 15        | 489 7164-15   | 13        |
| 471 9652-50   | 47        | 488 5173-06   | 19        | 489 7153-04   | 17        | 489 7164-15   | 17        |
| 472 7414-01   | 15        | 488 5173-06   | 23        | 489 7153-04   | 35        | 489 7164-15   | 33        |
| 472 7414-01   | 21        | 488 5173-06   | 29        | 489 7153-04   | 37        | 489 7164-15   | 37        |
| 472 7414-01   | 29        | 488 5173-06   | 41        | 489 7153-05   | 11        | 489 7164-16   | 9         |
| 472 7414-01   | 43        | 488 6571-01   | 27        | 489 7153-05   | 29        | 489 7164-16   | 13        |
| 472 7487-05   | 27        | 488 6571-01   | 47        | 489 7153-06   | 11        | 489 7164-16   | 33        |
| 472 7487-05   | 47        | 488 7015-06   | 27        | 489 7153-06   | 29        | 489 7164-18   | 9         |
| 472 7854-01   | 27        | 488 7015-06   | 47        | 489 7153-08   | 11        | 489 7164-18   | 15        |
| 472 7854-01   | 47        | 489 0112-09   | 9         | 489 7153-08   | 29        | 489 7164-18   | 17        |
| 472 7857-02   | 27        | 489 5705-03   | 7         | 489 7153-62   | 11        | 489 7164-18   | 35        |
| 472 7857-02   | 47        | 489 5705-03   | 15        | 489 7153-62   | 29        | 489 7164-18   | 37        |
| 472 7863-01   | 47        | 489 5705-03   | 17        | 489 7153-63   | 11        | 489 7164-19   | 9         |
| 472 7863-02   | 47        | 489 5705-03   | 23        | 489 7153-63   | 29        | 489 7164-19   | 15        |
| 472 7863-03   | 47        | 489 5705-03   | 41        | 489 7155-00   | 11        | 489 7164-23   | 9         |
| 472 7863-04   | 47        | 489 5707-02   | 29        | 489 7155-00   | 29        | 489 7164-23   | 13        |
| 472 7863-05   | 47        | 489 5707-02   | 37        | 489 7159-00   | 11        | 489 7164-23   | 33        |
| 472 7863-07   | 47        | 489 6215-29   | 17        | 489 7159-00   | 29        | 489 7164-24   | 9         |
| 472 7886-01   | 27        | 489 6215-29   | 37        | 489 7159-01   | 11        | 489 7164-25   | 13        |
| 472 7886-01   | 47        | 489 6260-80   | 27        | 489 7159-01   | 29        | 489 7164-25   | 33        |
| 472 7887-02   | 27        | 489 6260-80   | 47        | 489 7159-03   | 11        | 489 7164-28   | 15        |
| 472 7887-02   | 47        | 489 7038-05   | 13        | 489 7159-03   | 29        | 489 7164-28   | 35        |
| 472 8534-03   | 7         | 489 7038-05   | 33        | 489 7159-04   | 7         | 489 7164-29   | 15        |
| 472 8534-03   | 17        | 489 7038-06   | 13        | 489 7159-04   | 11        | 489 7164-30   | 15        |
| 472 8534-03   | 37        | 489 7038-06   | 33        | 489 7159-04*  | 29        | 489 7164-30   | 35        |
| 487 0289-17   | 21        | 489 7038-08   | 13        | 489 7159-05   | 11        | 489 7164-32   | 33        |
| 487 0289-17   | 43        | 489 7038-08   | 33        | 489 7159-05*  | 29        | 489 7164-36   | 9         |
| 487 1044-09   | 25        | 489 7038-62   | 13        | 489 7159-06*  | 29        | 489 7164-36   | 15        |
| 487 1044-09   | 45        | 489 7038-62   | 33        | 489 7159-07   | 29        | 489 7164-36   | 35        |
| 487 1047-02   | 25        | 489 7038-63   | 13        | 489 7164-01   | 9         | 489 7164-37   | 35        |
| 487 1047-08   | 25        | 489 7038-63   | 33        | 489 7164-01   | 23        | 489 7164-40   | 15        |
| 487 1047-08   | 45        | 489 7053-16   | 33        | 489 7164-01   | 33        | 489 7164-40   | 35        |
| 487 1047-61   | 25        | 489 7053-18   | 33        | 489 7164-01   | 41        | 489 7164-41   | 9         |
| 487 1057-01   | 25        | 489 7064-02   | 11        | 489 7164-02   | 9         | 489 7164-41   | 13        |
| 487 1057-01   | 45        | 489 7064-02   | 29        | 489 7164-04   | 9         | 489 7164-41   | 23        |
| 487 1057-02   | 25        | 489 7064-03   | 11        | 489 7164-04   | 13        | 489 7164-41   | 33        |
| 487 1057-02   | 45        | 489 7064-03   | 29        | 489 7164-04   | 17        | 489 7164-41   | 41        |
| 487 1064-04   | 25        | 489 7079-04   | 25        | 489 7164-04   | 33        | 489 7164-42   | 35        |
| 487 1064-04   | 45        | 489 7079-04   | 45        | 489 7164-04   | 37        | 489 7166-02   | 7         |
| 487 1064-10   | 25        | 489 7085-01   | 7         | 489 7164-06   | 9         | 489 7166-02   | 23        |
| 487 1064-10   | 45        | 489 7085-01   | 17        | 489 7164-06   | 15        | 489 7166-02   | 41        |
| 487 1212-03   | 15        | 489 7085-01   | 37        | 489 7164-06   | 35        | 489 7166-03   | 15        |
| 487 1212-05   | 15        | 489 7085-02   | 7         | 489 7164-07   | 9         | 489 7166-03   | 35        |
| 487 1235-01   | 7         | 489 7085-02   | 17        | 489 7164-07   | 13        | 489 7166-05   | 9         |
| 487 1235-01   | 17        | 489 7085-02   | 37        | 489 7164-07   | 33        | 489 7166-05   | 17        |
| 487 1235-01   | 37        | 489 7085-11   | 7         | 489 7164-08   | 17        | 489 7166-05   | 37        |
| 487 1235-02   | 17        | 489 7085-11   | 17        | 489 7164-08   | 37        | 489 7166-06   | 7         |
| 487 1235-02   | 37        | 489 7085-11   | 37        | 489 7164-09   | 13        | 489 7166-06   | 23        |
| 487 1235-03   | 17        | 489 7085-12   | 7         | 489 7164-09   | 17        | 489 7166-06   | 41        |
| 487 1235-03   | 37        | 489 7085-12   | 17        | 489 7164-09   | 33        | 489 7166-07   | 7         |
| 487 1235-04   | 17        | 489 7085-12   | 37        | 489 7164-09   | 37        | 489 7166-07   | 23        |
| 487 1235-04   | 37        | 489 7085-20   | 21        | 489 7164-10   | 9         | 489 7166-07   | 41        |
| 487 1235-05   | 17        | 489 7085-20   | 43        | 489 7164-10   | 13        | 489 7166-08   | 7         |
| 487 1235-05   | 37        | 489 7087-02   | 25        | 489 7164-10   | 17        | 489 7166-08   | 23        |
| 487 1235-07   | 17        | 489 7087-02   | 27        | 489 7164-10   | 33        | 489 7166-08   | 41        |
| 487 1235-07   | 37        | 489 7087-02   | 45        | 489 7164-10   | 37        | 489 7166-09   | 9         |

## Numerical index/Nummerregister

| Art.No/Art.nr | Page/Sida | Art.No/Art.nr | Page/Sida | Art.No/Art.nr | Page/Sida | Art.No/Art.nr | Page/Sida |
|---------------|-----------|---------------|-----------|---------------|-----------|---------------|-----------|
| 489 7166-09   | 23        | 489 7179-16   | 41        | 489 7185-07   | 21        | 489 7192-63   | 33        |
| 489 7166-09   | 41        | 489 7179-17   | 7         | 489 7185-07   | 43        | 489 7194-02   | 7         |
| 489 7166-10   | 23        | 489 7179-17   | 15        | 489 7185-10   | 21        | 489 7194-02   | 17        |
| 489 7166-10   | 41        | 489 7179-17   | 23        | 489 7185-10   | 43        | 489 7194-02   | 37        |
| 489 7166-11   | 17        | 489 7179-17   | 35        | 489 7186-01   | 7         | 489 7195-01   | 43        |
| 489 7166-11   | 39        | 489 7179-17   | 41        | 489 7186-01   | 17        | 489 7195-04   | 21        |
| 489 7166-12   | 7         | 489 7179-18   | 7         | 489 7186-01   | 37        | 489 7196-02   | 17        |
| 489 7166-12   | 23        | 489 7179-18   | 15        | 489 7186-02   | 17        | 489 7196-02   | 37        |
| 489 7166-12   | 41        | 489 7179-18   | 23        | 489 7186-02   | 37        | 489 7197-02   | 11        |
| 489 7166-14   | 9         | 489 7179-18   | 35        | 489 7186-06   | 7         | 489 7197-04   | 31        |
| 489 7166-14   | 23        | 489 7179-18   | 41        | 489 7186-06   | 37        | 489 7198-02   | 17        |
| 489 7166-14   | 41        | 489 7179-19   | 11        | 489 7186-08   | 7         | 489 7198-02   | 37        |
| 489 7166-18   | 9         | 489 7179-19   | 31        | 489 7186-08   | 17        | 489 7203-02   | 17        |
| 489 7166-18   | 23        | 489 7179-23   | 7         | 489 7186-08   | 37        | 489 7203-04   | 37        |
| 489 7166-18   | 33        | 489 7179-23   | 15        | 489 7187-01   | 11        | 489 7204-02   | 11        |
| 489 7166-18   | 41        | 489 7179-23   | 23        | 489 7187-02   | 11        | 489 7204-04   | 31        |
| 489 7166-20   | 7         | 489 7179-23   | 35        | 489 7187-06   | 15        | 489 7208-01   | 7         |
| 489 7166-20   | 23        | 489 7179-23   | 41        | 489 7187-06   | 17        | 489 7215-02   | 29        |
| 489 7166-20   | 41        | 489 7179-24   | 7         | 489 7187-07   | 15        | 489 7215-04   | 37        |
| 489 7166-21   | 9         | 489 7179-24   | 15        | 489 7187-08   | 15        | 489 7215-05   | 29        |
| 489 7166-21   | 23        | 489 7179-24   | 35        | 489 7187-08   | 17        | 489 7215-08   | 29        |
| 489 7166-21   | 41        | 489 7179-25   | 17        | 489 7188-61   | 11        | 489 7215-61   | 29        |
| 489 7166-23   | 15        | 489 7179-25   | 37        | 489 7189-03   | 9         | 489 7216-05   | 29        |
| 489 7166-24   | 13        | 489 7179-26   | 23        | 489 7189-03   | 15        | 489 7216-06   | 29        |
| 489 7166-24   | 23        | 489 7179-26   | 35        | 489 7189-03   | 17        | 489 7216-08   | 29        |
| 489 7166-24   | 41        | 489 7179-26   | 41        | 489 7189-03   | 37        | 489 7216-62   | 29        |
| 489 7166-25   | 23        | 489 7182-02   | 11        | 489 7189-05   | 9         | 489 7216-63   | 31        |
| 489 7166-25   | 41        | 489 7182-03   | 7         | 489 7189-05   | 13        | 489 7217-02   | 11        |
| 489 7166-26   | 15        | 489 7182-03   | 15        | 489 7189-05   | 37        | 489 7217-02   | 29        |
| 489 7166-26   | 35        | 489 7182-03   | 17        | 489 7189-06   | 9         | 489 7217-06   | 11        |
| 489 7166-29   | 9         | 489 7182-03   | 35        | 489 7189-06   | 13        | 489 7217-06   | 29        |
| 489 7169-00   | 25        | 489 7182-04   | 7         | 489 7189-06   | 17        | 489 7217-08   | 11        |
| 489 7169-00   | 45        | 489 7182-04   | 15        | 489 7189-06   | 37        | 489 7217-08   | 29        |
| 489 7174-00   | 25        | 489 7182-04   | 17        | 489 7189-07   | 9         | 489 7217-10   | 29        |
| 489 7174-00   | 45        | 489 7182-04   | 35        | 489 7189-07   | 13        | 489 7217-61   | 29        |
| 489 7179-02   | 15        | 489 7182-07   | 7         | 489 7189-07   | 37        | 489 7218-01   | 29        |
| 489 7179-02   | 17        | 489 7182-07   | 15        | 489 7189-08   | 15        | 489 7219-02   | 29        |
| 489 7179-02   | 35        | 489 7182-07   | 17        | 489 7191-05   | 13        | 489 7219-08   | 29        |
| 489 7179-02   | 37        | 489 7182-07   | 35        | 489 7191-05   | 19        | 489 7219-61   | 29        |
| 489 7179-04   | 15        | 489 7182-07   | 37        | 489 7191-05   | 33        | 489 7220-02   | 29        |
| 489 7179-04   | 17        | 489 7182-08   | 11        | 489 7191-05   | 39        | 489 7220-08   | 29        |
| 489 7179-04   | 35        | 489 7183-05   | 11        | 489 7191-06   | 13        | 489 7220-61   | 29        |
| 489 7179-04   | 39        | 489 7183-06   | 11        | 489 7191-06   | 19        | 489 7221-02   | 31        |
| 489 7179-06   | 7         | 489 7183-08   | 11        | 489 7191-06   | 33        | 489 7221-08   | 31        |
| 489 7179-06   | 15        | 489 7183-62   | 11        | 489 7191-06   | 39        | 489 7221-61   | 31        |
| 489 7179-06   | 23        | 489 7183-63   | 11        | 489 7191-08   | 13        | 489 7222-05   | 13        |
| 489 7179-06   | 35        | 489 7184-01   | 17        | 489 7191-08   | 19        | 489 7222-05   | 19        |
| 489 7179-06   | 41        | 489 7184-02   | 19        | 489 7191-08   | 33        | 489 7222-05   | 33        |
| 489 7179-08   | 15        | 489 7184-03   | 17        | 489 7191-08   | 39        | 489 7222-06   | 13        |
| 489 7179-08   | 23        | 489 7184-10   | 7         | 489 7191-62   | 13        | 489 7222-06   | 19        |
| 489 7179-08   | 35        | 489 7184-10   | 15        | 489 7191-62   | 19        | 489 7222-06   | 33        |
| 489 7179-08   | 41        | 489 7184-10   | 35        | 489 7191-62   | 33        | 489 7222-08   | 13        |
| 489 7179-12   | 7         | 489 7184-11   | 19        | 489 7191-62   | 39        | 489 7222-08   | 19        |
| 489 7179-12   | 17        | 489 7184-12   | 19        | 489 7191-63   | 13        | 489 7222-08   | 33        |
| 489 7179-13   | 7         | 489 7184-14   | 37        | 489 7191-63   | 19        | 489 7222-62   | 13        |
| 489 7179-13   | 23        | 489 7184-15   | 37        | 489 7191-63   | 33        | 489 7222-62   | 19        |
| 489 7179-14   | 15        | 489 7184-22   | 7         | 489 7191-63   | 39        | 489 7222-62   | 33        |
| 489 7179-15   | 7         | 489 7185-01   | 21        | 489 7192-05   | 13        | 489 7222-63   | 13        |
| 489 7179-15   | 15        | 489 7185-01   | 43        | 489 7192-05   | 33        | 489 7222-63   | 19        |
| 489 7179-15   | 23        | 489 7185-02   | 7         | 489 7192-06   | 13        | 489 7222-63   | 33        |
| 489 7179-15   | 35        | 489 7185-03   | 21        | 489 7192-06   | 33        | 489 7223-05   | 19        |
| 489 7179-15   | 41        | 489 7185-03   | 43        | 489 7192-08   | 13        | 489 7223-05   | 39        |
| 489 7179-16   | 7         | 489 7185-04   | 21        | 489 7192-08   | 33        | 489 7223-06   | 19        |
| 489 7179-16   | 15        | 489 7185-04   | 43        | 489 7192-62   | 13        | 489 7223-06   | 39        |
| 489 7179-16   | 23        | 489 7185-05   | 21        | 489 7192-62   | 33        | 489 7223-08   | 19        |
| 489 7179-16   | 35        | 489 7185-05   | 43        | 489 7192-63   | 13        | 489 7223-08   | 39        |

Numerical index/Nummerregister

| Art.No/Art.nr | Page/Sida | Art.No/Art.nr | Page/Sida | Art.No/Art.nr | Page/Sida | Art.No/Art.nr | Page/Sida |
|---------------|-----------|---------------|-----------|---------------|-----------|---------------|-----------|
| 489 7223-62   | 19        | 736 1804-01   | 17        |               |           |               |           |
| 489 7223-62   | 39        | 736 1804-01   | 37        |               |           |               |           |
| 489 7223-63   | 19        | 736 2843-51   | 7         |               |           |               |           |
| 489 7223-63   | 39        | 738 2108-04   | 7         |               |           |               |           |
| 489 7224-05   | 13        | 738 2108-04   | 9         |               |           |               |           |
| 489 7224-05   | 33        | 738 2108-04   | 15        |               |           |               |           |
| 489 7224-06   | 13        | 738 2108-04   | 17        |               |           |               |           |
| 489 7224-06   | 33        | 738 2108-04   | 35        |               |           |               |           |
| 489 7224-08   | 13        | 738 2108-04   | 37        |               |           |               |           |
| 489 7224-08   | 33        | 738 3103-80   | 15        |               |           |               |           |
| 489 7224-62   | 13        | 762 8801-22   | 7         |               |           |               |           |
| 489 7224-62   | 33        | 762 8801-22   | 17        |               |           |               |           |
| 489 7224-63   | 13        | 762 8801-22   | 37        |               |           |               |           |
| 489 7224-63   | 33        | 763 1001-01   | 7         |               |           |               |           |
| 489 7228-02   | 11        | 763 1001-01   | 17        |               |           |               |           |
| 489 7228-02   | 31        | 763 1001-01   | 37        |               |           |               |           |
| 489 7228-08   | 11        | 763 1802-01   | 17        |               |           |               |           |
| 489 7228-08   | 31        | 763 1802-01   | 37        |               |           |               |           |
| 489 7228-61   | 11        | 763 1804-01   | 7         |               |           |               |           |
| 489 7228-61   | 31        | 763 2843-51   | 17        |               |           |               |           |
| 489 7229-02   | 37        | 763 2843-51   | 37        |               |           |               |           |
| 489 7238-14   | 9         | 767 5101-92   | 21        |               |           |               |           |
| 489 7238-14   | 13        | 767 5101-92   | 43        |               |           |               |           |
| 489 7238-14   | 23        | 767 5102-09   | 9         |               |           |               |           |
| 489 7238-14   | 33        | 767 5102-09   | 43        |               |           |               |           |
| 489 7238-14   | 41        | 767 5112-09   | 21        |               |           |               |           |
| 489 7253-21   | 9         | 767 5112-09   | 43        |               |           |               |           |
| 489 7253-21   | 13        |               |           |               |           |               |           |
| 489 7253-21   | 33        |               |           |               |           |               |           |
| 489 7253-21   | 37        |               |           |               |           |               |           |
| 489 7253-31   | 9         |               |           |               |           |               |           |
| 489 7253-31   | 13        |               |           |               |           |               |           |
| 489 7253-31   | 33        |               |           |               |           |               |           |
| 489 7253-31   | 39        |               |           |               |           |               |           |
| 489 7264-02   | 29        |               |           |               |           |               |           |
| 489 7264-08   | 29        |               |           |               |           |               |           |
| 489 7264-61   | 29        |               |           |               |           |               |           |
| 489 7268-02   | 29        |               |           |               |           |               |           |
| 489 7268-08   | 29        |               |           |               |           |               |           |
| 489 7268-61   | 29        |               |           |               |           |               |           |
| 489 7268-63   | 29        |               |           |               |           |               |           |
| 489 7270-01   | 23        |               |           |               |           |               |           |
| 489 7270-03   | 23        |               |           |               |           |               |           |
| 489 7270-03   | 35        |               |           |               |           |               |           |
| 489 7270-03   | 41        |               |           |               |           |               |           |
| 489 7270-04   | 35        |               |           |               |           |               |           |
| 489 7270-04   | 41        |               |           |               |           |               |           |
| 721 4385-00   | 7         |               |           |               |           |               |           |
| 721 4385-00   | 15        |               |           |               |           |               |           |
| 721 4385-00   | 23        |               |           |               |           |               |           |
| 721 4385-00   | 35        |               |           |               |           |               |           |
| 721 4385-00   | 41        |               |           |               |           |               |           |
| 721 4421-00   | 35        |               |           |               |           |               |           |
| 721 4423-00   | 15        |               |           |               |           |               |           |
| 721 4423-00   | 23        |               |           |               |           |               |           |
| 721 4423-00   | 41        |               |           |               |           |               |           |
| 721 6142-01   | 9         |               |           |               |           |               |           |
| 735 3114-00   | 15        |               |           |               |           |               |           |
| 735 3114-00   | 23        |               |           |               |           |               |           |
| 735 3114-00   | 35        |               |           |               |           |               |           |
| 735 3114-00   | 41        |               |           |               |           |               |           |
| 735 3151-10   | 9         |               |           |               |           |               |           |
| 735 3151-10   | 15        |               |           |               |           |               |           |
| 735 3151-10   | 17        |               |           |               |           |               |           |
| 735 3151-10   | 35        |               |           |               |           |               |           |
| 735 3151-10   | 37        |               |           |               |           |               |           |







**ELECTROLUX LAUNDRY SYSTEMS**

ELECTROLUX LAUNDRY SYSTEMS DENMARK A/S  
DK-5690 Tommerup, Denmark. Telephone +45 63 76 20 00. Telefax +45 63 76 22 00  
Internet: [www.electrolux-wascator.com](http://www.electrolux-wascator.com) E-mail: [els.info@electrolux.dk](mailto:els.info@electrolux.dk)