

**LAVASTOVIGLIE A CAPPOTTINA
HOOD TYPE DISHWASHER****LS 9**

Code	Type	Ref.	Pagina/ Page
PRESSIONE			
505022	LS9P	a	2 3 5 6
505033	LS6P/DD	b	2 3 5 6
505035	LS9P/60	c	2 3 5 6
505043	LS9PAUS	i	2 3 5 6
698008	H2500	h	2 3 5 6
698022	HT900P	d	2 3 5 6
698023	LV900P	g	2 3 5 6
698024	LD900	l	2 3 5 6

ATMOSFERICA

505034	LS9A/G	e	2 3 4 6
505041	LS9A/G1	f	2 3 4 6

Pagina/ Page**Indice/ index**

2	Vista generale / Main view
3	Componenti idraulici / Hydraulic components
4	Circuito idraulico atmosferico / Atmospheric plumbing circuit
5	Circuito idraulico a pressione / Pressurized plumbing circuit
6	Componenti elettrici / Electrical components
7 - 12	Lista ricambi / Spare parts list

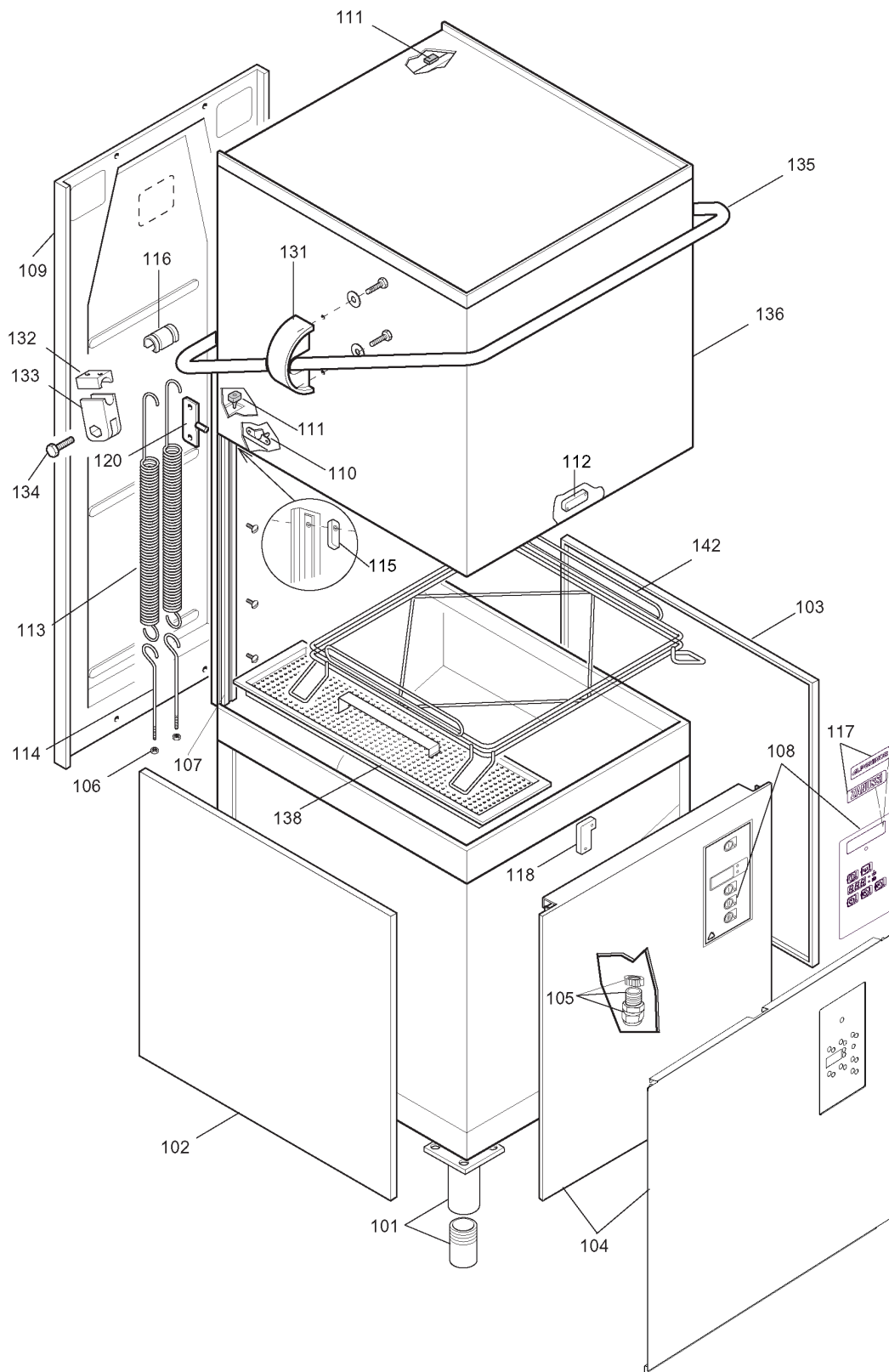
Marchio/ Brand: Z - A
Paese/ Country: Tutti/ All

Da Ser.Nr./From Ser.nr.: /0242

Page: 1

Ed.2008-05

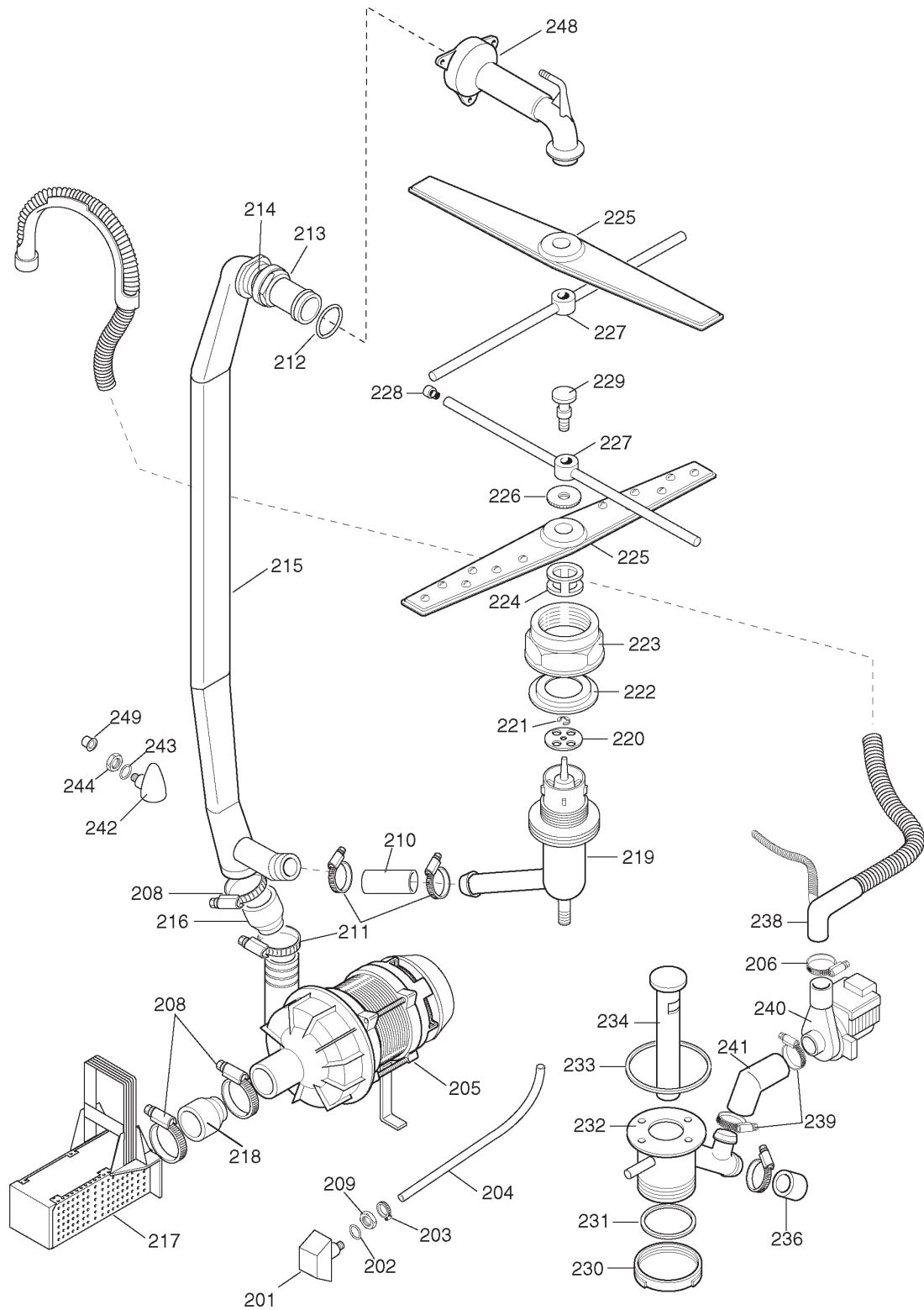
Doc. Nr.: 6-31 002



iii. 631002p2
Vista generale / Main view

Da Ser.Nr./From Ser.nr.: /0242	Page: 2	Ed.2008-02	Doc. Nr.: 6-31 002

??????	505022								
??????	6-31002		???????? 2				Main view		
.		Alias		S			.		(Euro)
0101	048579			S				COMPLETE FOOT; H=153MM	16,66
0102	0L0062							RIGHT SIDE PANEL	107,60
0103	0L0063							LEFT SIDE PANEL	107,60
0104	0L0064							FRONT PANEL	a,b,c,i - Up to Ser. Nr.: 813 129,90
0104	0L1700							FRONT PANEL; ASSY; LS9	a,b,c,i - From Ser. Nr.: 814 100,50
0105	048932							FIXING CABLE	6,76
0106	049761							BUSH	1,91
0107	0L0084			S				RUNNER	16,77
0108	0L0065							MEMBRANE	a,b,c,i - Up to Ser. Nr.: 813 221,30
0108	0L1680							ADHESIVE MEMBRANE; LS9	a,b,c,i - From Ser. Nr.: 814 110,60
0109	0L0066							REAR PANEL	Up to ser. nr. : 305 76,33
0109	0L0066							REAR PANEL	a,b,c,d,h,i,l - From ser. nr.: 306 76,33
0110	049527							DRIP SLIDE	3,50
0111	0L0090			S	A			ABSORBER	3,97
0112	049627							MAGNET	9,82
0113	0L0057			S				SPRING	32,38
0114	049583							SPRING STRETCHER	10,18
0115	0L0099			S				SLIDING SHOE	2,65
0116	049594							SPRING SUPPORT	2,46
0117	0L1664				D			ADHESIVE NAME PLATE; LS5/ LS6	a,b,c,i - From Ser. Nr.: 814
0117	0L1665							ADHESIVE; LS5/LS6	a,b,c,i - From Ser. Nr.: 814
0118	0L1871			S	A	Kit		REED SWITCHT; KIT	20,40
0120	0L0059							BRACKET WITH BOLT	14,33
0131	0L0058			S				RUNNER	7,85
0132	0L0055							SUPPORT; UPPER	6,68
0133	0L0056							SUPPORT; LOWER	6,68
0134	0L0091							SCREW	4,67
0135	0L0054							HANDLE	116,70
0136	0L0053			S				COVERING; LS9	a,b,c,d,e,f,g,i,l 441,50
0138	0L0069			S				FILTER	67,60
0142	000000								

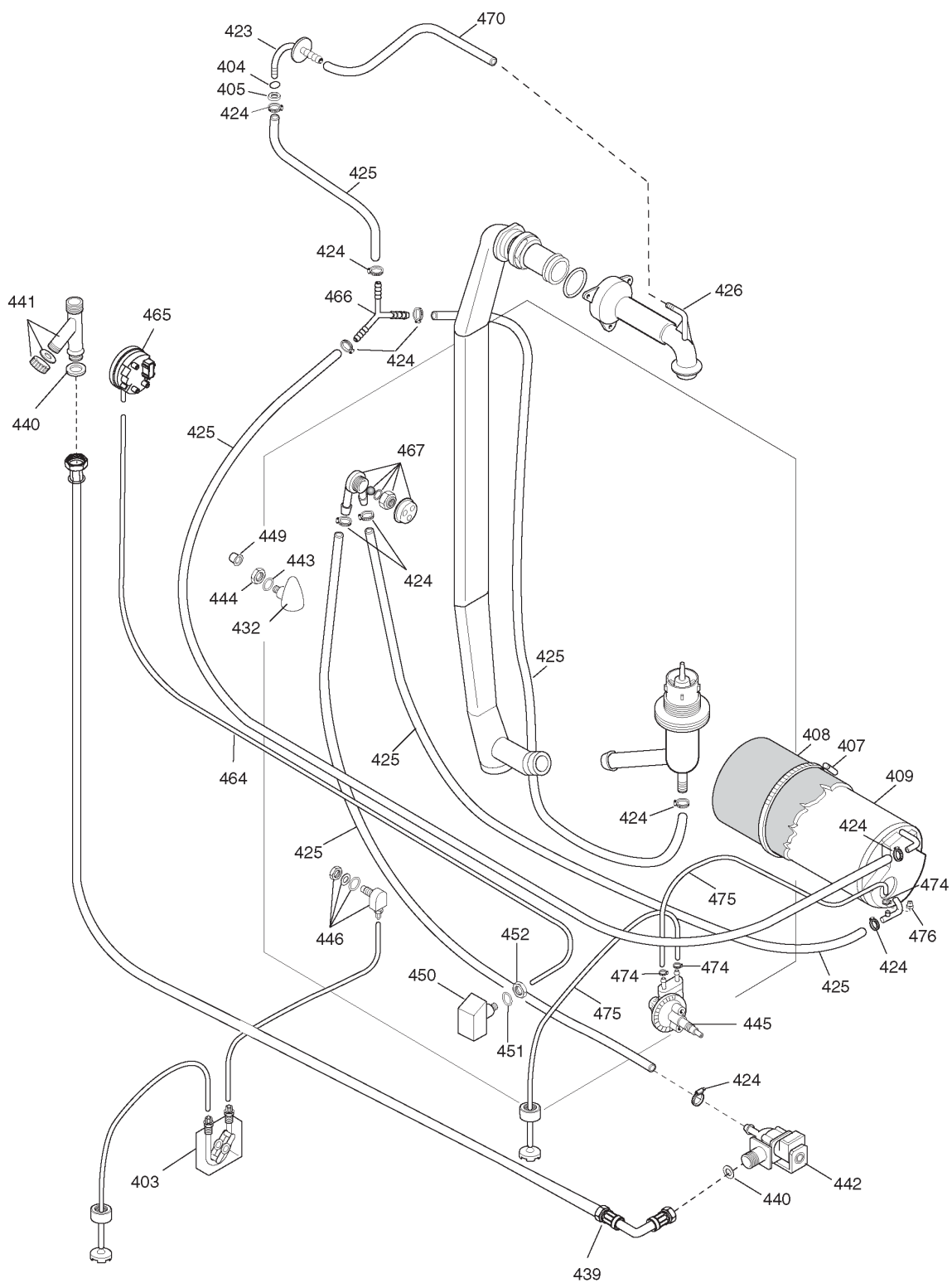


ill. 631002p3
Componenti idraulici / Hydraulic components

Da Ser.Nr./From Ser.nr.: /0242	Page: 3	Ed.2002-10	Doc. Nr.: 6-31 002
--------------------------------	---------	------------	---------------------------

??????	505022									
??????	6-31002		???????? 3				Hydraulic components			
.		Alias		S			.			(Euro)
0201	048308						AIR TRAP; FOR PRESSURE GAUGE			4,44
0202	068642						O-RING; ØI=15,54X2,62			1,02
0203	046946						CLAMP; 8-12/7,5			2,22
0204	048883						RUBBER HOSE; 5X12; 1PZ=2300MM			12,31
0205	0L0060		0L0564				WASH PUMP; 230/400V 3P 50HZ	a,b,d,e,h,i,l - Up to ser. nr.: 429 - 50Hz		
0205	0L0092			S	A		WASH PUMP; ZF522VSX; 230V 1P 50HZ	f,a,b,d,h,i,l - 50 Hz - From S. N.710		246,60
0205	0L0564			S	A		PUMP; ZF523V SX; 230/400V 3PH; 50HZ	a,b,d,e,h,i,l - From S.N.:430 - Up to S. N.709 - 50Hz		271,00
0206	047578						CLAMP; 26-38			1,80
0208	046853						HOSE CLAMP; 60-80/9			2,53
0209	049268						HEX NUT; M14X1,5			1,80
0210	0L0558		0L0612				TUBE; D.42*51 L . 0,105 MT	Up to ser. nr.: 443		
0210	0L0612			S			SLEEVE	From ser. nr.: 444		6,97
0211	046855						HOSE CLAMP; 50-70/9	Up to Ser. nr.:313		2,00
0211	0L0193			S			CLMAP; 40-60/9	From Ser. nr.:314		2,01
0212	0L0185		068799				OR; 164 3,53X60,33			
0213	049596					CGX200 5-18	RING NUT	Up to Ser. nr.:425		6,68
0213	0L0557			S			RING NUT; Ø MAX=96MM; H=25MM	From Ser. nr.:426		4,03
0214	049593						O-RING; ØI=72,39X5,34 MM			1,91
0215	049595		0L0556			CGX200 5-18	PIPE	Up to Ser. nr.:425		
0215	0L0556			S			PIPE; FOR WASHING ARMS SUPPORTS	From Ser. nr.:426		49,43
0216	0L0068			S			JUNCTION			16,05
0217	049810						FILTER FOR PUMP			33,09
0218	0L0067			S			JUNCTION			14,15
0219	048235						SUPPORT F. LOWER JETS			40,90
0220	048820						SHUTTER			4,65
0221	048979						SNAP RING			1,42
0222	048236						GASKET			3,69
0223	048237						RING NUT; LOWER JETS SUPPORT			5,29
0224	048401					06001	HUB; FOR WASH ARM			21,32
0225	0L0598			S	A	CGX200 4-10	WASHING ARM ASSEMBLY			50,95
0226	048632						LOCK WASHER			9,50
0227	048716		0L2095				RINSE JET			
0228	048714					CGX200 2-09	PLUG; FOR RINSE ARM			1,02
0229	048290						PIN; L=43MM; FOR RINSE ARMS			16,79
0230	048231						PLUG; FOR DRAIN SUPPORT			5,29
0231	048230						GASKET			5,89

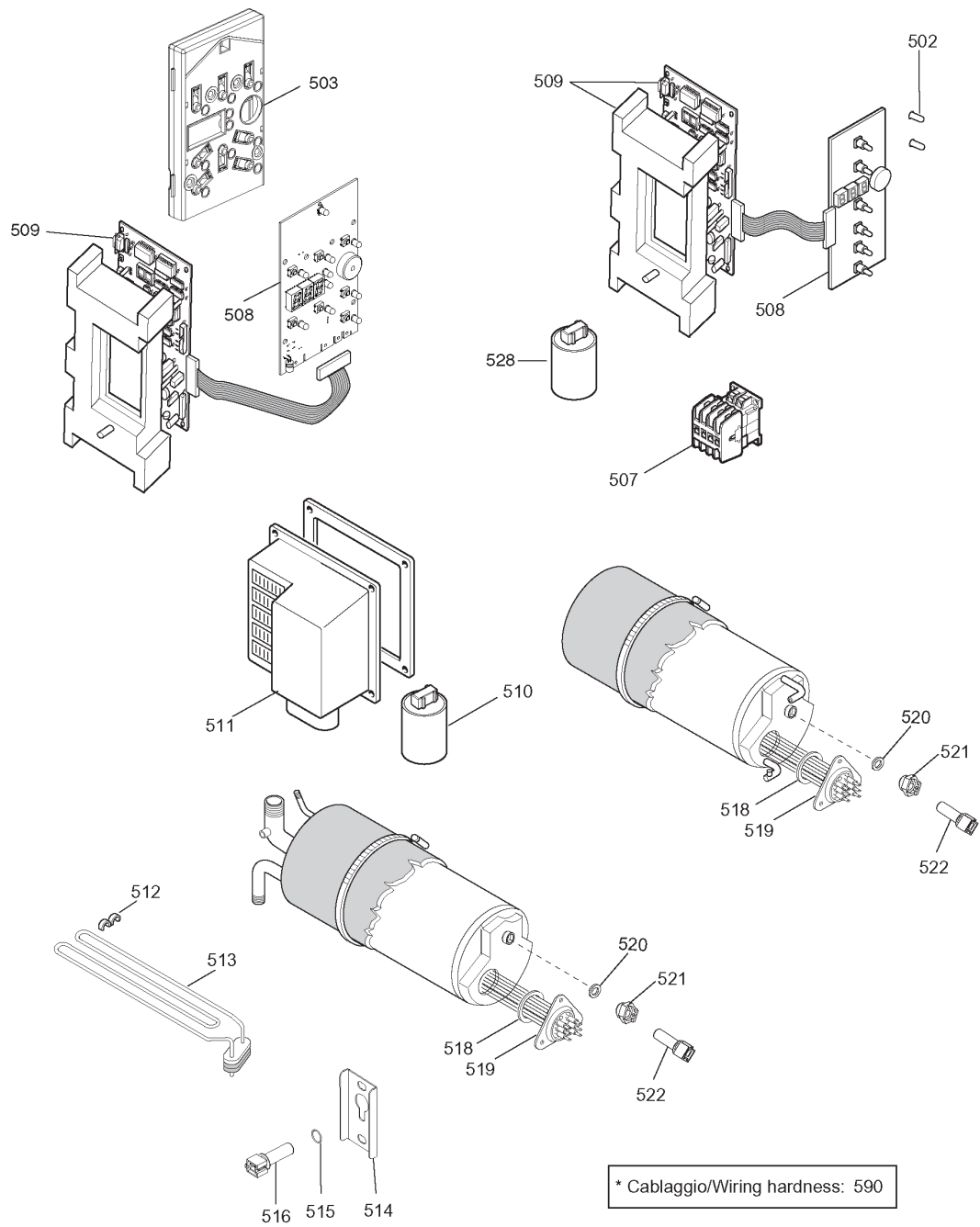
??????	505022								
??????	6-31002		???????? 3				Hydraulic components		
.		Alias		S			.		(Euro)
0232	0L0081						DRAIN MANIFOLD		10,18
0233	048229						GASKET; ØI=46,04X3,53 MM		1,02
0234	048250						OWERFLOW PIPE	a,b,c,d,h,i,l	12,51
0242	048853						AIR CHAMBER		4,01
0243	068642						O-RING; ØI=15,54X2,62		1,02
0244	049268						HEX NUT; M14X1,5		1,80
0248	0L0051			S			SUPPORT; UPPER JET		28,72
0249	049849			S			STOPPER		1,02



iii. 631002p5
 Circuito idraulico a pressione / Pressurized plumbing circuit

Da Ser.Nr./From Ser.nr.: /0242	Doc. Nr.: 6-31 002
Page: 5	Ed.2004-07

??????	505022								
??????	6-31002		???????? 5				Pressurized plumbing circuit		
.		Alias		S			.		(Euro)
0404	046799						O-RING; FOR OVERFLOW PIPE		1,02
0405	049436						NUT; M20X1,5		3,87
0407	048222						HOSE STRAP		7,60
0408	048447			S			BOILER INSULATION; 670X330X13MM		16,57
0409	0L0023				D	CGX200 3-06	BOILER	a,b,c,d,h,l - Up to ser.: 317	
0409	0L0284			S	A		BOILER; AISI 304	a,b,c,d,h,l - From ser.: 318	195,90
0423	0L0052						CONNECTION		24,26
0424	048126						CLIP; 13-20		1,58
0425	048531						RUBBER HOSE; ØI=12MM;ØE=19,5MM;BY METER		9,55
0426	0L0051			S			SUPPORT; UPPER JET		28,72
0432	048853						AIR CHAMBER		4,01
0439	048816		0L1887				HOSE	a,b,c,h,d,g,l,e,f	
0440	046925		049201			CGX200 2-08	GASKET; ØI=13MM; ØE=24MM; H=3MM		
0441	048746						WATER FILTER; 3/4" M-F	Up to ser. nr.: 429	15,17
0441	048834						STRAINER	From ser. nr.: 430	13,63
0442	048817		0L3440				SOLENOID VALVE; 220-240V 50HZ; 319P5	Up to ser. nr.: 429	
0442	0L0566		0L3445		A		SOLENOID VALVE; TYPE 329P5; 20 L/MIN	From ser. nr.: 430	
0443	068642						O-RING; ØI=15,54X2,62		1,02
0444	049268						HEX NUT; M14X1,5		1,80
0445	0L0094		0L4295				RINSE AID DISPENSER	a,b,c,h,d,g,l,e,f	
0449	049849			S			STOPPER		1,02
0450	048308						AIR TRAP; FOR PRESSURE GAUGE		4,44
0451	068642						O-RING; ØI=15,54X2,62		1,02
0452	049268						HEX NUT; M14X1,5		1,80
0464	048883						RUBBER HOSE; 5X12; 1PZ=2300MM		12,31
0465	049620						PRESSURE SWITCH; CALIB.= 250/130-390		20,00
0466	048195						3-WAY FITTING; 2XØ=12MM E 1XØ=8,6MM		6,58
0467	049332		0L1892				VALVOLA NON RITORNO; DVGW		
0470	049379		0L3641				HOSE; WRC, 1PC=1130MM		22,23
0474	046946						CLAMP; 8-12/7,5	a,b,c,h,d,g,l,e,f	2,22
0475	048883						RUBBER HOSE; 5X12; 1PZ=2300MM	a,b,c,h,d,g,l,e,f	12,31



iii. 631002p6
Componenti elettrici / Electrical components

Da Ser.Nr./From Ser.nr.: /0242

Page: 6

Ed.2008-02

Doc. Nr.: 6-31 002

??????	505022									
??????	6-31002		???????? 6				Electrical components			
.		Alias		S			.			(Euro)
0502	002670						EXTENSION; L=6,95MM	a,b,c,g,i - Up to Ser. Nr.: 813		1,02
0503	0L1568		0L3876		D		USER COVERING; LS14	a,b,c,g,i - From ser. nr.: 814		
0507	048825		0L0285				CONTACTOR; K2-09A01-230	a,b,d,e,f,i,l - Up to ser. nr.: 317		
0507	0L0285			S	A		CONTACTOR; 220-240V 50HZ/240-264V 60HZ	a,b,d,e,f,h,i,l - From ser. nr.: 318		28,84
0508	0L0061		0L1235		D		PCB	Up to ser. nr.: 421		
0508	0L0550		0L1235				USER INTERFACE BOARD	From ser. nr.: 422 - Up to ser. nr.: 523		
0508	0L0710		0L1235				USER INTERFACE BOARD; LS 9	From ser. nr.: 524 - Up to ser. nr.: 622		
0508	0L1235			S	A		USER INTERFACE BOARD; LS9	a,b,c,i - From ser. nr.: 623 - Up to Ser. Nr.: 813		100,80
0508	0L1566		0L3876		D		USER INTERFACE BOARD; HT ACTIVE	a,b,c,i - From ser. nr.: 814		
0509	0L0045		0L2583			CGX200 3-15	PCB	Up to ser. nr.: 421		
0509	0L0541		0L2583		D	Kit	PCB; ASSY	From ser. nr.: 422 - Up to ser. nr.: 523		
0509	0L0705		0L2583		D		PCB	From ser. nr.: 524 - Up to Ser. Nr.: 709		
0509	0L1412		0L2583		D		PCB; DIWAP10	From Ser. Nr.: 710 - Up to Ser. Nr.: 820		
0509	0L1811		0L2583				MOTHERBOARD; DIWAP10	From Ser. Nr.: 821		
0510	049303						RADIO INTERFERENCE FILTER; 250V 50/60HZ			23,55
0511	049618		0L0111				TERMINAL BOARD	Up to Ser. Nr.: 244		
0511	0L0111			S			JUNCTION BOX	From Ser. Nr.: 245		40,30
0512	048429						BRACKET			2,01
0513	048491		0L1870				TANK HEATING ELEMENT; 3000W 230V	Up to Ser. Nr.: 823		
0513	0L1870			S	A		HEATING ELEMENT; 230V-3000W	From Ser. Nr.: 824		30,45
0514	049580						SUPPORT	Up to ser. nr.: 327		14,65
0514	0L0366			S			SUPPORT	From ser. nr.: 328		3,44
0515	046376		0Q0002				O-RING			
0516	049643						TEMPERATURE PROBE			9,76
0518	0E5037					CGX200 0-46	HEATING ELEMENT GASKET; DIA.56.52XSP.5.33			1,43
0519	049992		0L2653		A		HEATING ELEMENT; 230V 9000W	a,b,c,i,h,d,g,l,e - Up to Ser. Nr.: 820		
0519	0L1630		0L2653		A		HEATING ELEMENT; 230V-9000W	a,b,c,i,h,d,g,l,e - From Ser. Nr.: 821		
0520	046376		0Q0002				O-RING	a,b,c,d,g,h,i,l - From ser. nr.: 318		
0520	067898						O-RING; Øl= MM.6,07X1,78	a,b,c,d,g,i,l - Up to ser. nr.: 317		1,02
0521	067899						STUFFING BOX	a,b,c,d,g,i,l - Up to ser. nr.: 317		4,75
0521	0L0280			S	A		STUFFING BOX	a,b,c,d,g,h,i,l - From ser. nr.: 318		11,51
0522	049643						TEMPERATURE PROBE	a,b,c,d,g,h,i,l - From ser. nr.: 318		9,76
0522	049884						TEMPERATURE PROBE	a,b,c,d,g,h,i,l - Up to ser. nr.: 317		48,92
0528	049901						INDUCTIVE-CAPACITIVE FILTER;SINGLE PHASE	a,b,c,d,f,h,i,l,c - From S.N. 710		16,36
0590	0L0466			S			WIRING HARNESS	Up to Ser. Nr. 709		110,60

??????	505022								
??????	6-31002	???????? 6	Electrical components						
.		Alias		S			.		
0590	0L1414			S				WIRING HARNESS	From Ser. Nr. 710
									(Euro) 163,40