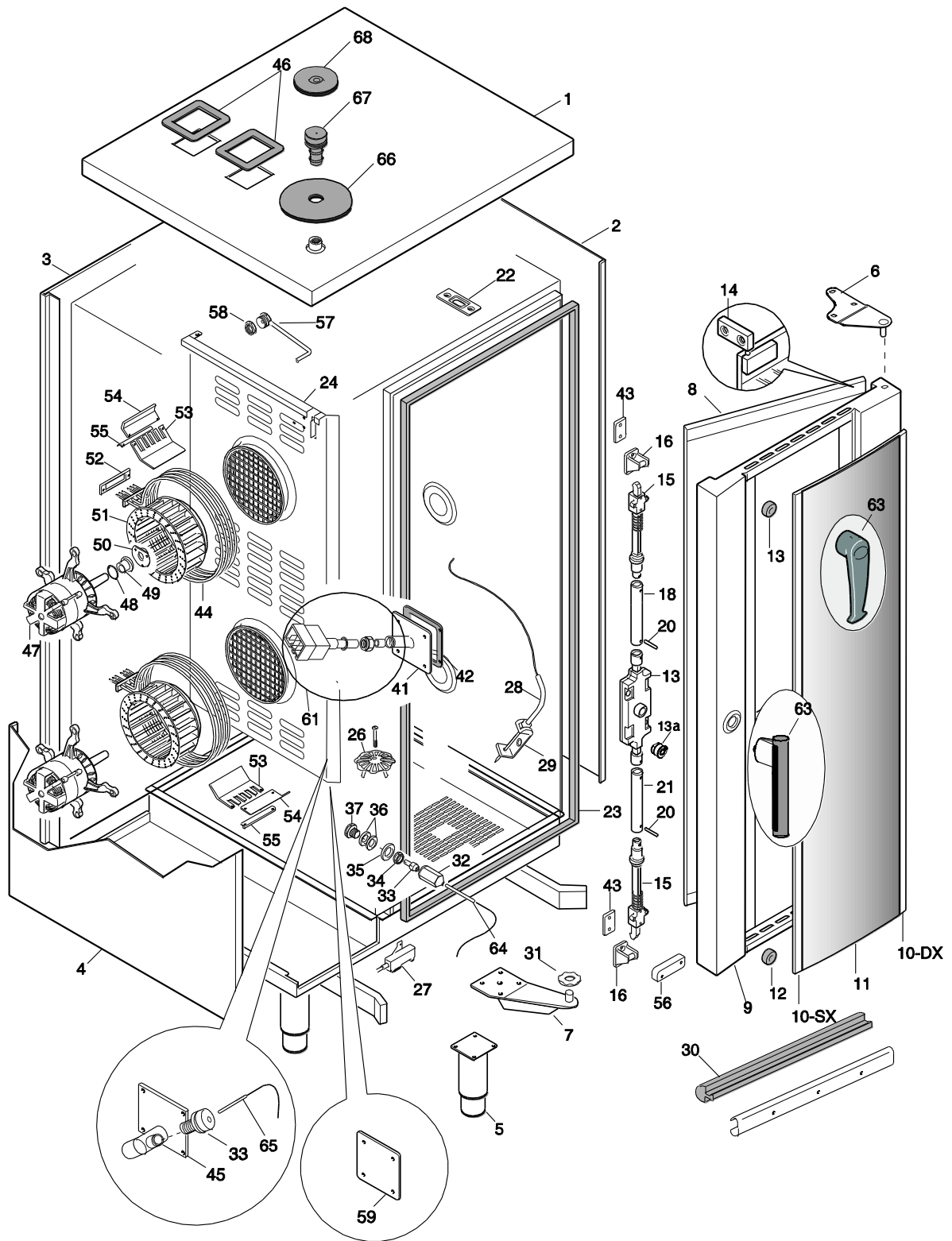


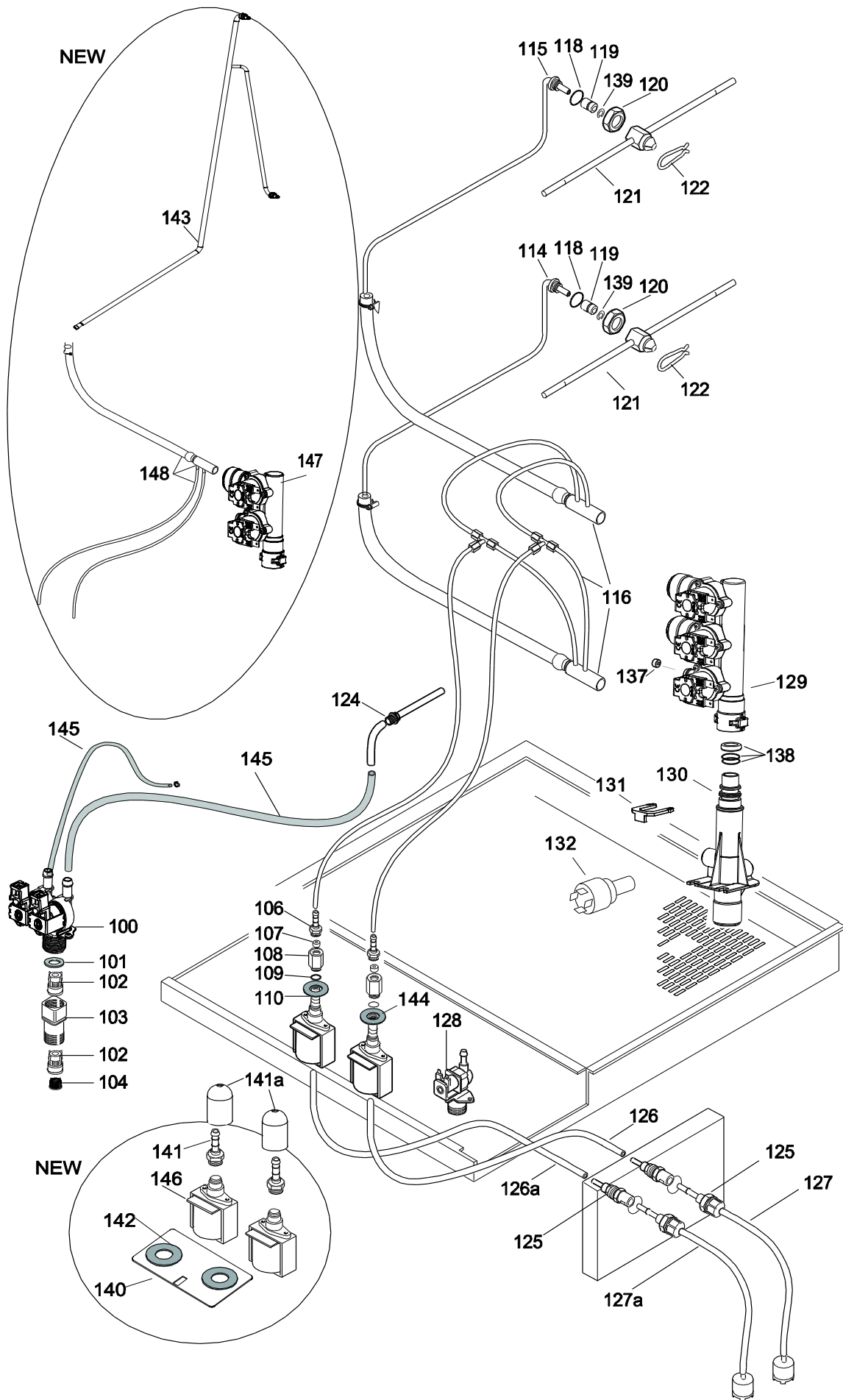
20 GN 2/1 ELECTRIC CONVECTION / STEAM OVEN
FORNO CONVEZIONE / VAPORE ELETTRICO 20 GN 2/1

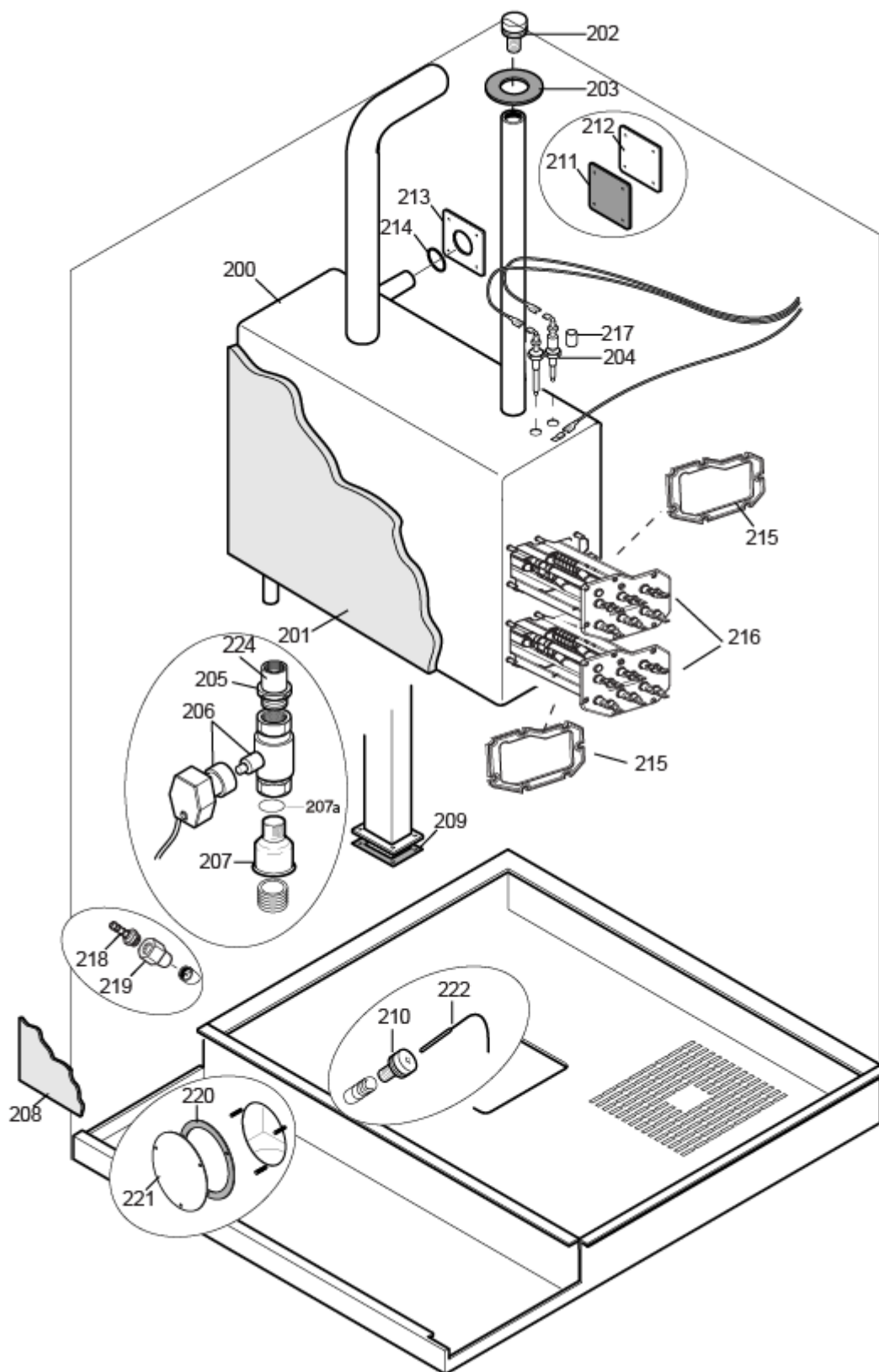
PNC	Model	Ref	Group	Level	Page	Notes
190026	AOS202EBA2	e1	AOS	Level B	2...11	230V 3N 50/60 HZ
190511	AOS202ECF2	t	AOS	Level C	2...11	400V 3 - 50 HZ Marine
190524	AOS202ECE2	u	AOS	Level C	2...11	440V 3 - 50/60 HZ Marine
236205	FCZ202EKA	q	FCZ	Level K	2...11	STD (400V - 3N)
237205	FCZ202ETA	i	FCZ	Touch	2...11	STD (400V - 3N)
238205	FCZ202EBA2	l	FCZ	Level B	2...11	STD (400V - 3N)
239205	FCZ202ECA2	m	FCZ	Level C	2...11	STD (400V - 3N)
266205	AOS202EKA1	p	AOS	Level K	2...11	STD (400V - 3N)
266225	AOS202EKN1	f1	AOS	Level K	2...11	230V 3N 50/60 HZ
266355	AOS202EKR1	a1	AOS	Level K	2...11	400V 3N 50/60 HZ AUS
267205	AOS202ETA1	a	AOS	Touch	2...11	STD (400V - 3N)
267225	AOS202ETN1	g1	AOS	Touch	2...11	230V 3N 50/60 HZ
267235	AOS202ETC1	e	AOS	Touch	2...11	200V 3N 50/60 HZ JAPAN
267245	AOS202ETE1	h1	AOS	Touch	2...11	440V 3 - 60 HZ Marine
267255	AOS202ETF1	i1	AOS	Touch	2...11	400V 3 - 50 HZ Marine
267285	AOS202ETM1	b	AOS	Touch	2...11	America (208V - 3)
267305	AOS202ETK1	d	AOS	Touch	2...11	UK (400V - 3N)
267325	AOS202ETV1	n	AOS	Touch	2...11	USA (480V - 3)
267355	AOS202ETR1	b1	AOS	Touch	2...11	400V 3N 50/60 HZ AUS
268205	AOS202EBA2	f	AOS	Level B	2...11	STD (400V - 3N)
268225	AOS202EBN2	l1	AOS	Level B	2...11	230V 3N 50/60 HZ
268235	AOS202EBC2	r	AOS	Level B	2...11	200V 3N 50/60 HZ JAPAN
268245	AOS202EBE2	s	AOS	Level B	2...11	440V 3 - 60 HZ Marine
268255	AOS202EBF2	m1	AOS	Level B	2...11	400V 3 - 50 HZ Marine
268305	AOS202EBH2	g	AOS	Level B	2...11	UK (400V - 3N)
268355	AOS202EBR2	c1	AOS	Level B	2...11	400V 3N 50/60 HZ AUS
269205	AOS202ECA2	h	AOS	Level C	2...11	STD (400V - 3N)
269225	AOS202ECN2	n1	AOS	Level C	2...11	230V 3N 50/60 HZ
269305	AOS202ECK2	o	AOS	Level C	2...11	UK (400V - 3N)
269355	AOS202ECR2	d1	AOS	Level C	2...11	400V 3N 50/60 HZ AUS

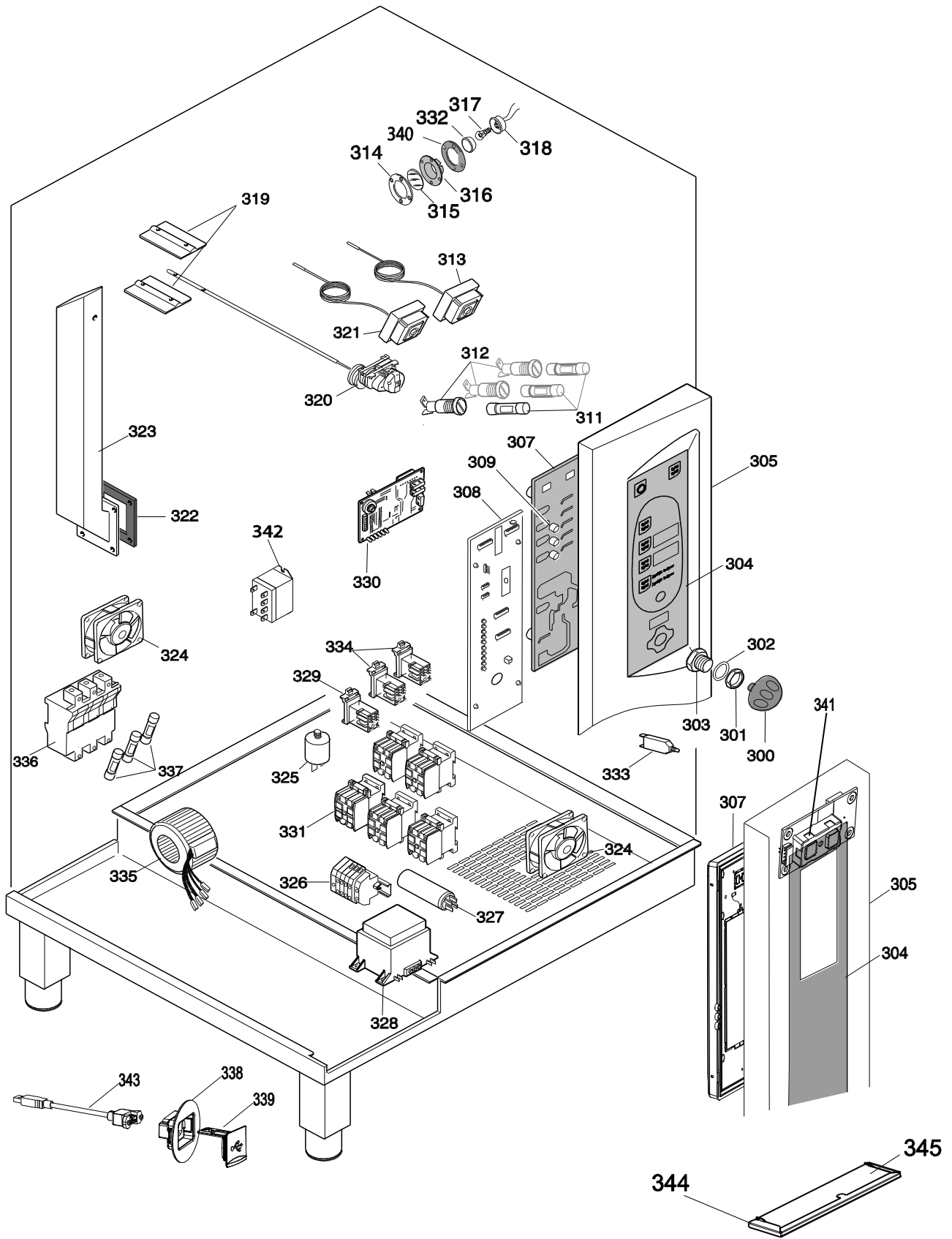
Pag	Index	Indice	Note
2	Oven cabinet and door.	Cella forno e porta	
3	Water system	Impianto idraulico	
4	Boiler	Boiler	
5	Electrical components	Componenti elettrici	
6	Accessories	Accessori	
7...12	Spare parts list	Lista ricambi	

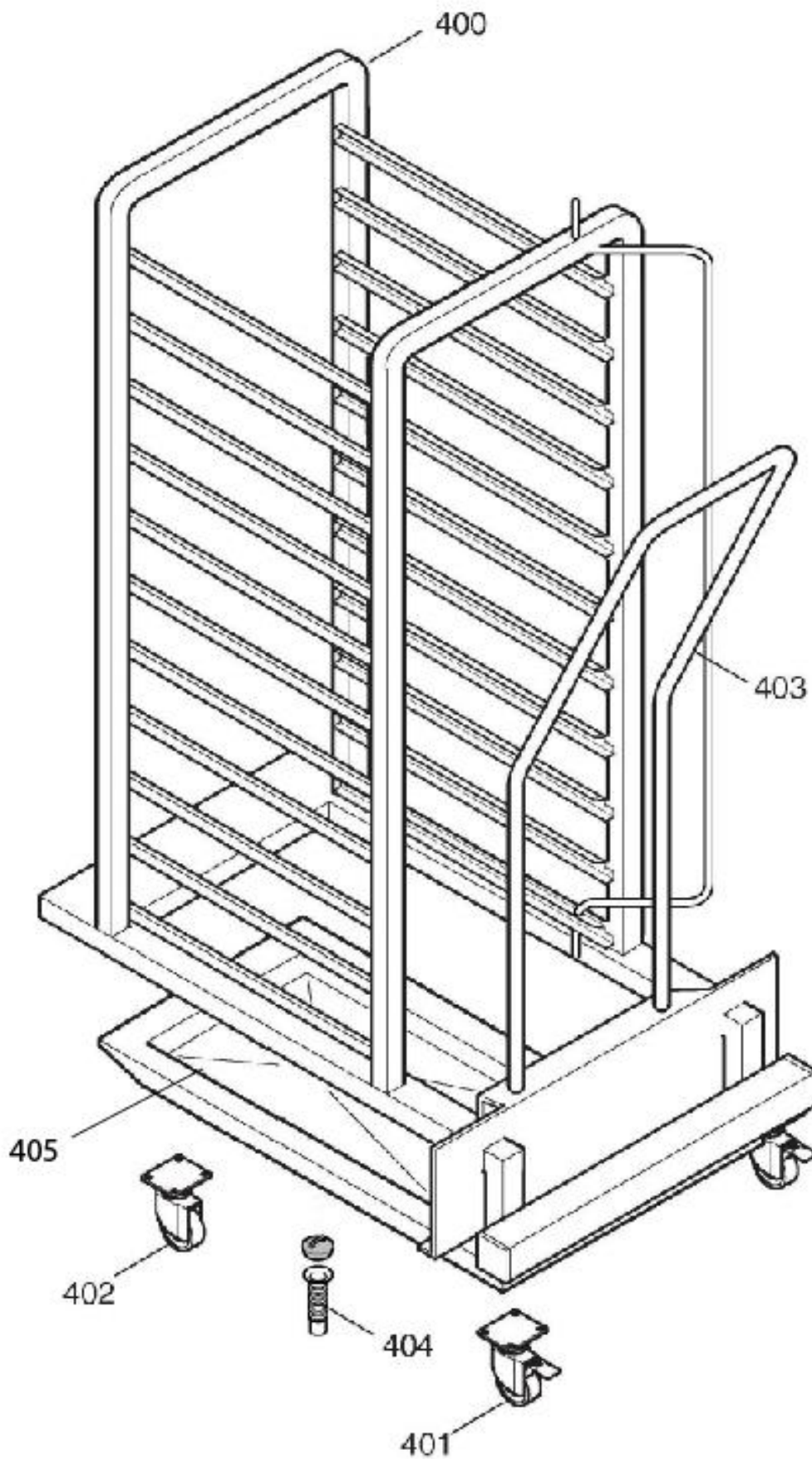
Brand/Marchio: All
Factory code: 9PDD











20 GN 2/1 ELECTRIC CONVECTION / STEAMER OVEN
FORNO CONVEZIONE / VAPORE ELETTRICO 20 GN 1/1

<i>Pos</i>	<i>Factory Code</i>	<i>6DGT Code</i>	<i>Descrizione</i>	<i>Description</i>	<i>Ref./Note</i>
			Pagina 2	Page 2	
1	0530892000	0C6184	COPERCHIO	COVER	
1	0873871302	0C4305	COPERCHIO	COVER	For Lev. C,K
2	0538832100	0C6206	FIANCO DX	RIGHT SIDE PANEL	
3	0538834101	0C6208	SCHIENALE	BACK PANEL	
3	050040W00	-	SCHIENALE	BACK PANEL	Marine
4	0538834600	0C6210	FIANCO SX	LEFT SIDE PANEL	
5	0806871700	0C4824	PIEDE	FOOT	
5	0806871800	0C4825	PIEDE FLANGIATO	FLANGED FOOT	Marine
6	0512816003	007086	CERNIERA SUPERIORE	UPPER HINGE	
7	0806843301	0C2483	CERNIERA INFERIORE	LOWER HIGE	
8	0873870202	0C4870	VETRO INTERNO	INNER GLASS	
9	0879400903	0C6604	PORTA COMPLETA	COMPLETE DOOR	
9	0879402700	*	PORTA COMPLETA	COMPLETE DOOR	For s,h1,i1,m1
10	0530873600	0C4970	PROFILO FERMAVETRO DX	RIGHT TRIM	
10	0530873700	0C4971	PROFILO FERMAVETRO SX	LEFT TRIM	
11	0574400600	0C6562	VETRO ESTERNO	EXTERNAL GLASS	For AOS
11	0574818801	0C4946	VETRO ESTERNO	EXTERNAL GLASS	For FCZ
12	0543828001	006976	AMMORIZZATORE	DAMPER	
*	0856808701	0C4119	ASSIEME CHIUSURA	ASS LOCK MECHANISM	
13	0853821500	003824	CORPO CHIUSURA	CORE DOOR LOCK MECHANISM	
13a	0806873501	0C8627	BOCCOLA	BUSH	
14	0806822000	007007	CERNIERA VETRO INTERNO	HINGE, INNER GLASS	
15	0853821600	003822	MECCANISMO DI ESTREMITA'	HOOK	
16	0538804900	0C3802	NASELLO CHIUSURA PORTA	CATCH DOOR CLOSING	
18	0513800501	0C4309	ASTA SUPERIORE	SUP. LEVER DOOR LOCK MEC.	
20	0214593100	0H6043	SPINA ELASTICA	ELASTIC PIN	
21	0513801100	0C4310	ASTA INFERIORE	INF. LEVER DOOR LOCK MEC.	
22	0543839700	0C4088	GUARNIZIONE FLANGIA SPILLONE	GASKET	
23	0543835100	0C1889	GUARNIZIONE CELLA	CAVITY GASKET	
24	0831847304	0C4622	PARETE DI ASPIRAZIONE	SUCTION WALL	
26	0518808700	0C2769	FILTRO FONDO	FILTER	
27	0654600000	049621	INTERRUTTORE MAGNETICO	MAGNETIC SWITCH	
28	0830400A01	0C6573	SONDA SPILLONE SINGOLO	MEAT PROBE (SINGLE POINT)	For Level B, C,K from 015 up to 7391
28	0830408101	0CB215	SONDA SPILLONE SINGOLO	MEAT PROBE (SINGLE POINT)	For Level B, C,K from 7401
28	0830400B01	0C6574	SONDA SPILLONE SINGOLO	MEAT PROBE (SINGLE POINT)	For Level A, Touch from 015 up to 7391
28	0830408201	0CB216	SONDA SPILLONE SINGOLO	MEAT PROBE (SINGLE POINT)	For Level B, C,K from 7401
29	0527865201	0C1505	SUPPORTO SPILLONE	MEAT PROBE SUPPORT	Up to 7391
29	0506404T00	0CB144	SUPPORTO SPILLONE	MEAT PROBE SUPPORT	From 7401
30	0543838001	0C4131	GUARNIZIONE	GASKET	
31	0510815700	002653	POSIZIONATORE	POSITIONER	
32	0516855300	006991	DADO SONDA CELLA	NUT, CAVITY PROBE	
33	0543842600	0C4872	TAPPO PER SENSORE	STOPPER FOR SENSOR	
34	0214105101	020997	CONTRODADO	LOCK NUT	
35	0508838701	002700	RONDELLA	WASHER	
36	0516809301	002701	TENUTA	GASKET	
37	0516809400	002623	RACCORDO SONDA CELLA	CONNECTION, CAVITY PROBE	
41	0806857201	0C4244	CONDOTTO SONDA LAMBDA	DUCT, LAMBDA PROBE	For Level Touch
42	0543838300	0C4093	GUARNIZIONE	GASKET	
43	0538807400	0C4122	DISTANZIALE 20/10	SPACER 20/10	
44	0617828000	0C1173	RESISTENZA (8 kW/400V)	HEATING ELEMENT (8 kW/400V)	For 400V Version
44	0617829300	0C2241	RESISTENZA (8 kW/208V USA)	HEAT. ELEMENT (8 kW/208V USA)	For 208V Version
44	0617829900	0C2242	RESISTENZA (8 kW/240 V USA)	HEAT. ELEMENT (8 kW/240V USA)	For 240V Version
44	0617400C00	0C9858	RESISTENZA CELLA(8kw/200V)	HEAT. ELEMENT(8 kW/200V)	For Japan Version

From sr. Nr/ Da Ser. Nr.: ***

From status level / Da scatto: 07

Page: 7

Ed. 2017 12

Doc. Nr.: **875400Y00**

20 GN 2/1 ELECTRIC CONVECTION / STEAMER OVEN
FORNO CONVEZIONE / VAPORE ELETTRICO 20 GN 1/1

<i>Pos</i>	<i>Factory Code</i>	<i>6DGT Code</i>	<i>Descrizione</i>	<i>Description</i>	<i>Ref./Note</i>
123					
124	0H22982800	007075	TUBO UMIDIFICATORE 57X2/5	PIPING	for Level A,B
124	0856828700	0C4978	TUBO UMIDIFICATORE	PIPING	for Level C,K
125	0831811702	0C1127	GRUPPO COLLEGAMENTO EXT.	EXTERNAL PIPING	
126	-	0C9799	TUBO FLESS. 6x8mm rosso	FLEX PIPE 6x8mm red	
126a	-	0C9800	TUBO FLESS. 6x8mm blu	FLEX PIPE 6x8mm blue	
127	-	0C9797	TUBO FLESS.4x6mm rosso	FLEX PIPE 4x6mm red	
127a	-	0C9798	TUBO FLESS. 4x6mm blu	FLEX PIPE 4x6mm blue	
128	0696808200	0C5515	ELETTROVALVOLA	WATER VALVE	for Level C,K
128	0696808801	0C6170	ELETTROVALVOLA	WATER VALVE	for Level B
129	0696400400	0C6407	GRUPPO VALVOLE CLEANYNG	VALVE GROUP C.S.	for Level C,K
129	0696400200	0C6371	GRUPPO VALVOLE CLEANYNG	VALVE GROUP C.S.	For 60Hz
129	0696808700	0C6372	GRUPPO VALVOLE CLEANYNG	VALVE GROUP C.S.	For level TOUCH,B
130	0831857200	0C6370	ASSIEME COLLETTORE LAVAGGIO	CONNECTION,C.S.	
131	0546825100	0C6222	FORCELLA SICUREZZA	CLIP	
132	0646817200	0C6217	PRESSOSTATO ATTACCO RAPID	CONNECTION FOR WASH	
136	-	0C6467	KIT SUPPORTO SERBATOIO (0C6199 MOLLA+0C6201 GANCIO+0C6466 VITE)	KIT TANK SUPPORT (0C6199 SPRING+0C6201 HOOK+0C6466 SCREW)	
137	-	0C6375	KIT RIDUTTORI	FLOW REDUCER KIT	
138	-	061303	KIT O-RING +BUSSOLA	O-RING +BUSH KIT	
139	0219035015	0C6421	ANELLO ELASTICO	ELASTIC RING	
140	0505401R00	0C7924	PIASTRINA FISSAGGIO POMPE	FIXING PLAQUE	
141	0544400C01	0C8348	VITE TTL	TTL SCREW	Up to 5151...
141	0544400C02	0CA348	VITE TTL	TTL SCREW	From 5161...
141a	0546400J00	0C9538	CAPPUCCIO DI PROT.	PROTECTION CAP	
142	0543400R00	0C7925	PASSACAPO	WIRING BUSH	
143	0805402400	0C8328	TUBO EXT	EXT. PIPE	
144	0246530100	005382	GOMMINO	GASKET	
145	0544819400	0C5829	TUBO EPDM BLU	EPDM PIPE	
146	0686400100	0C8347	POMPA DEFOND PHOENIX	PHOENIX DEFOND PUMP	Up to 4441...
146	0686400201	0CA112	POMPA CEME	CEME PUMP	From 4451...
147	0835400L00	0C8683	GRUPPO ENTRATA ACQUA	GROUP WATER INLET	
147	0835400M00	0C8684	GRUPPO ENTRATA ACQUA	GROUP WATER INLET	For level C,K
148	0805400A02	0C8185	ASS. COLLETTORE + TUBI	COLLECTOR+PIPING	
			Pagina 4	Page 4	
200	0878401600	0C9665	KIT ASSIEME BOILER	BOILER ASS.Y KIT	
201	0569807100	0C5838	KITISOLAMENTO BOILER EL.	KIT ISOLATION	
202	0543816601	002692	TAPPO	STOPPER	
203	0543817500	0C7016	GOMMINO CHIUSURA	GASKET	
203	0543843200	0C4965	GOMMINO INGRESSO DISINCR.	GASKET	For Lev. C,K
204	0831858600	0C7128	SONDA DI LIVELLO	LEVEL PROBE	
205	0516809501	007117	RACCORDO PER VALVOLA	CONNECTION	
206	0689400000	0CB250	VALVOLA DI SCARICO 230V	DRAIN VALVE 230V	for Level TOUCH e B
206	0689400500	0CB251	VALVOLA DI SCARICO 240V	DRAIN VALVE 240V	for Level TOUCH USA
207	0511817600	007040	MANICOTTO RIDOTTO	CONNECTION	
207a	0543816800	002874	O-RING	SEALING RING	For Touch, Level B version
208	0560845602	0C4141	KIT ISOLAMENTO AIR BREAK	KIT ISOLATION	
209	0543832400	0C4133	GUARNIZIONE AIR BREAK	AIR BREAK GASKET	
210	0543842600	0C4872	TAPPO PER SENSORE	STOPPER FOR SENSOR	
211	0527899100	0C4858	FLANGIA CHIUSURA FORO BOILER	FLANGE	For Lev. C,K
212	0543843100	0C4964	GUARN. CHIUSURA FORO BOILER	GASKET	For Lev. C,K
213	0538806601	0C4142	FLANGIA TENUTA BOILER	FLANGE, BOILER	
214	0543832500	0C3128	ORTENUTA BOILER	OR BOILER	
215	054384480	0C5834	GUARNIZIONE	GASKET	
216	0617836500	0C5841	RESISTENZA BOILER (24 kW/400V)	HEAT. ELEM. BOILER (24 kW/400V)	For 400V Version
216	0617837200	0C5822	RESIST. BOILER (24 kW/208V USA)	HEATING ELEM. BOIL. 24 kW/208V	For 208V Version

20 GN 2/1 ELECTRIC CONVECTION / STEAMER OVEN
FORNO CONVEZIONE / VAPORE ELETTRICO 20 GN 1/1

<i>Pos</i>	<i>Factory Code</i>	<i>6DGT Code</i>	<i>Descrizione</i>	<i>Description</i>	<i>Ref./Note</i>	
216	0617837800	0C5825	RESIST. BOILER (24 kW/240V USA)	HEATING ELEM. BOIL. 24 kW/240V	For 240V Version For Japan Version For 230V level B and Touch For 440V MARINE	
216	0617839502	0C6027	RESIST. BOILER (20kw/200V)	HEATING ELEM. BOIL.(20kw/200V)		
216	0617837502	0C5844	RESIST. BOILER (20kw/230V)	HEATING ELEM. BOIL.(20kw/230V)		
216	0617838402	0C5847	RESIST. BOILER (24kw/440V)	HEATING ELEM. BOIL.(24kw/440V)		
217	0515857001	055347	DISTANZIALE	SPACER	for level TOUCH	
218	0510828000	0C5564	RESCA D12 FILETT 1/4' GAS	PIPE CONNECTION		
219	0516889400	0C3797	UGELLO 'ELPIS'1/4'FD3.5-3/8'M	NOZZLE		
220	0543400000	0C7033	GUARNIZIONE PORTELLO	GASKET		
221	0J89061403	0C3443	PORTELLO ISPEZIONE	INSPECTION COVER		
222	0830899101	0C6539	SONDA BYPASS 1100 BIANCO	BYPASS PROBE 1100mm WHITE		for Level TOUCH e B
224	0544820201	0C5006	TUBO FLESSIBILE BOILER	BOILER HOSE		
			Pagina 5	Page 5		
300	0806874001	0C5600	MANOPOLA	HANDLE	AOS Ver. FCZ Ver. for Level B AOS Ver. for Level B FCZ Ver. for Level C AOS Ver. for Level C FCZ Ver. For level touch "K" AOS ver. for TOUCH AOS group for TOUCH FCZ Group for Level B AOS Ver. for Level B FCZ Ver. for Level C AOS Ver. for Level C FCZ Ver. For level Touch "K" AOS vers. for Level TOUCH,K up to 2441... for Level TOUCH,K from 2451... up to 4481... for Level TOUCH,K from4491... for Level B for Level C For level c(start sn120...) for Level TOUCH,K for Level B for Level C	
301	0214114900	051263	CONTRODADO	LOCK NUT		
302	0508836400	002727	RONDELLA	DISK		
303	0516807301	002662	BOCCOLA	BUSH		
304	0548400600	0C6550	MEMBRANA LIV.TOUCH	LAYER LEV. TOUCH		
304	0548400B00	0C6551	MEMBRANA LIV.TOUCH	LAYER LEV. TOUCH		
304	0548400G00	0C6554	MEMBRANA LIV.B	LAYER LEV. B		
304	0675855001	0C4948	MEMBRANA LIV.B	LAYER LEV. B		
304	0548400K00	0C6557	MEMBRANA LIV.C	LAYER LEV. C		
304	0675855102	0C4949	MEMBRANA LIV.C	LAYER LEV. C		
304	0548401H00	0C8707	MEMBRANA LIV.TOUCH "K"	LAYER LEV, TOUCH "K"		
305	0875401B01	0C7032	CRUSC. + MEMBRANA TOUCH	CONTROL PANEL+LAYERTOUCH		
305	0870400Q00	0C6598	CRUSCOTTO TOUCH (NO MEMBRANA)	CONTROL PANEL TOUCH (NO LAYER)		
305	0870400C00	0C6589	CRUSCOTTO LIV. B (NO MEMBR.)	CONT.PANEL LEV. B (NO LAYER)		
305	0873896902	0C4911	CRUSCOTTO LIV. B (NO MEMBR.)	CONT.PANEL LEV. B (NO LAYER)		
305	0870400R00	0C6599	CRUSCOTTO LIV. C (NO MEMBR.)	CONT.PANEL LEV. C (NO LAYER)		
305	0873897002	0C4912	CRUSCOTTO LIV. C (NO MEMBR.)	CONT.PANEL LEV. C (NO LAYER)		
305	0875401R00	0C8708	CRUSCOTTO LIV. TOUCH "K" CON MEMBRANA	CONT.PANEL TOUCH "k" WITH LAYER		
307	675400A00	0C6571	SCHEDA USER INTERFACE LIV.TOUCH	USER INTERF. BOARD, LEV. TOUCH		
307	675400P01	0C8805	SCHEDA USER INTERFACE LIV.TOUCH	USER INTERF. BOARD, LEV. TOUCH		
307	675400P06	0CA070	SCHEDA USER INTERFACE LIV.TOUCH	USER INTERF. BOARD, LEV. TOUCH		
307	0675838802	0C0041	SCHEDA USER INTERFACE LIV. B	USER INTERF. BOARD, LEV. B		
307	0675854600	0C4891	SCHEDA USER INTERFACE LIV. C	USER INTERF. BOARD, LEV. C		
307	0675854602	0C7350	SCHEDA USER INT.BOARD LEV.C(1/2SPEED)	USER INT.BOARD LEV.C(1/2 SPEED)		
308	0675400801	0C6570	SCHEDA POWER	MAIN POWER		
308	0675400200	0C0042	SCHEDA POWER	MAIN POWER		
308	0675854501	0C4890	SCHEDA POWER	MAIN POWER		
311	0652802200	005136	FUSIBILE 16 A	FUSE 16 A		
311	0652803900	0C2301	FUSIBILE 800 mA	FUSE T 630 mA		
311	0652803300	0C1480	FUSIBILE 5X20 6,3A T	FUSE 5X20 6.3A T		
311	0652805100	0C2230	FUSIBILE 6,3X32 6,3A F	FUSE 6.3X32 6.3A F		
311	0652400700	0CA598	FUSIBILE 6,3X32 1,6A T	FUSE 6.3X32 1.6A T		
312	0652802100	0F0031	PORTAFUSIBILE	FUSE HOLDER		
312	0652400D00	0CB127	PORTAFUSIBILE	FUSE HOLDER	For 400V-440V and Marine For 208V and 480V For 400V-440V Marine For 400V-440V Marine	
312	0805408Q00	0CB128	PORTAFUSIBILE 5x20	FUSE HOLDER 5x20		
312	0805408R00	0CB130	PORTAFUSIBILE 6.3x32	FUSE HOLDER 6.3x32		
312	0652400F00	*	PORTAFUSIBILE	FUSE HOLDER		
313	0646812200	007042	LIMITATORE, CELLA	LIMITER, CAVITY		

From sr. Nr/ Da Ser. Nr.: ***

From status level / Da scatto: 07

Page: 10

Ed. 2017 12

Doc. Nr.: **875400Y00**

20 GN 2/1 ELECTRIC CONVECTION / STEAMER OVEN
FORNO CONVEZIONE / VAPORE ELETTRICO 20 GN 1/1

<i>Pos</i>	<i>Factory Code</i>	<i>6DGT Code</i>	<i>Descrizione</i>	<i>Description</i>	<i>Ref./Note</i>
313	0646810802	006314	LIMITATORE, CELLA	LIMITER, CAVITY	For 208V
314	0508840801	002628	FLANGIA	FLANGE	
315	0574804900	002627	VETRO	GLASS	
316	0543817202	002626	GUARNIZIONE	GASKET	
317	0660808300	0C4396	LAMPADA ALOGENA	HALOGEN LAMP	Up to 4361...
317	0660400100	0C9877	LAMPADA ALOGENA	HALOGEN LAMP	From 4371...
318	0660806800	007105	PORTALAMPADA	LAMP HOLDER	
319	0538804000	0C1169	FARFALLA CAMINO CELLA LW	CLOSER	
320	0680802300	0C5501	MOTORIDUTTORE FIBER	MOTOREDUCER	
320	0680802400	0C5502	MOTORIDUTTORE FIBER	MOTOREDUCER	For 60Hz
321	0646814900	0C2983	LIMITATORE, BOILER	LIMITER, BOILER	
322	0543832200	0C1168	GUARNIZIONE	GASKET	
323	0831806402	0C1219	CONDOTTO ARIA	DUCT, AIR	
324	0624811000	0C4106	VENTILATORE	FAN	
325	0694605400	049303	FILTRO	FILTER	
326	0639805401	058707	MORSETTIERA	TERMINAL BOARD	
326	0639811600	0C2673	MORSETTIERA	TERMINAL BOARD	For 208V
326	0639810900	0C2243	MORSETTIERA	TERMINAL BOARD	For 240V
326	0639400900	0C9704	MORSETTIERA	TERMINAL BOARD	For Japan Version
326	0639812401	0C4820	MORSETTIERA	TERMINAL BOARD	For 400V, 440V Marine
327	0694802700	0C1187	CONDENSATORE 15 Mf	CAPACITOR	
327	0694800700	0C1186	CONDENSATORE 31,5 MF	CAPACITOR	
328	0624400100	0C6400	TRASFORMATORE 230V-12/24V	TRANSFORMER 230V-12/24V	Up to 329100..
328	0624400900	0C9557	TRASFORMATORE 230/10-24V	TRANSFORMER 230/10-24V	From to 330100..
328	0624400B00	0C9857	TRASFORMATORE	TRANSFORMER	For Japan Version
328	0624807901	0C0886	TRASFORMATORE	TRANSFORMER	For 208V Version
329	0648803001	058857	RELE	RELE	
329	0648802601	056466	RELE	RELE	For 208V-240V,i1,m1
329	0648722900	088267	RELE	RELE	For 208V-240V
330	0624807002	007047	ALIMENTATORE SWITCHING	SWITCHING FEEDER	
331	0648807300	088477	CONTATTORE K3-10A	CONTACTOR K3-10A	For Lev A,B Japan version For 400V MARINE
331	0648807800	007104	CONTATTORE K3-40A	CONTACTOR K3-40A	For Lev A,B For 230V level K/C
331	0648807700	007080	CONTATTORE K3-32A	CONTACTOR K3-32A	For 208V, Japan version For 230V level B and Touch
331	0648807400	006879	CONTATTORE K3-18A	CONTACTOR K3-18A	For 208V, Japan version For 230V level B and Touch
331	0648613200	0L0355	CONTATTORE K3-24A	CONTACTOR K3-24A	
331	0648808400	0C2244	CONTATTORE K3-50A	CONTACTOR K3-50A	For 208V, Japan version
331	0648809100	0L0430	CONTATTORE K3-18A10	CONTACTOR K3-18A10	For e1
331	0648809200	0C5051	CONTATTORE K3-32A00	CONTACTOR K3-32A00	For e1
331	0648809300	0C5052	CONTATTORE K3-40A00	CONTACTOR K3-40A00	For e1
331	0648400000	088557	CONTATTORE B&J K1-09D10	CONTACTOR B&J K1-09D10	For 400V, 440V Marine
335	0624400000	0C6945	TRASFORMATORE	TRANSFORMER	For 208V,240V
335	0624807700	0C0949	TRASFORMATORE	TRANSFORMER	For 400V, 440V Marine
337	0652803500	0C1488	FUSIB.OMEGA 22X58 80A	FUSEOMEGA 22X58 80A	For 208V,240V
338	0546400200	0C6547	VASCHETTA USB	USB PLUG	for TOUCH level
339	0541400A00	0C6546	COPERTURA USB	USB COVER	for TOUCH level
340	0543843500	0C5451	GUARNIZIONE	GASKET	
341	0675858601	0C8033	TASTO ON-OFF (INTER.PRINCIPALE)	ON-OFF (MAIN SWITCH)	For TOUCH level
342	0648722900	088267	RELE' SICUREZZA	SECURITY RELE	
343	0638400Y00	0C6566	PROLUNGA USB	USB CABLE	For Touch level
344	0831851301	0C4937	ASSIEME FILTRO CRUSCOTTO	ASS. FILTER CONTROL PANEL	
345	0549400K00	0C9992	FILTRO CRUSCOTTO	FILTER CONTROL PANEL	
			Pagina 6	Page 6	
400	0853861303	0C1197	CARRELLO PORTA TEGLIE (P63)	TROLLEY (P63)	
401	0835865000	0C1631	RUOTA CON FRENO	WHEEL WITH BRAKE	

20 GN 2/1 ELECTRIC CONVECTION / STEAMER OVEN FORNO CONVEZIONE / VAPORE ELETTRICO 20 GN 1/1					
<i>Pos</i>	<i>Factory Code</i>	<i>6DGT Code</i>	<i>Descrizione</i>	<i>Description</i>	<i>Ref./Note</i>
402	0835865800	0C2216	RUOTA	WHEEL	for Level TOUCH e B for Level TOUCH e B
403	0517878001	0C4682	MANIGLIA	HANDLE	
404	0H21503300	006309	PILETTA DI SCARICO	DRAIN	
405	0522854002	0CB288	BACINELLA CARRELLO	DRIP TRAY	
			SONDE DI TEMPERATURA	TEMPERATURE PROBES	
	0830400N00	0C7028	SONDA CELLA 500mm ROSSA	CAVITY PROBE 500mm RED	
	0830899001	0C0325	SONDA BOILER 800mm AZZURRA	BOILER PROBE 800mm BLUE	
	0830899101	0C6539	SONDA BYPASS 1100 BIANCO	BYPASS PROBE 1100mm WHITE	