

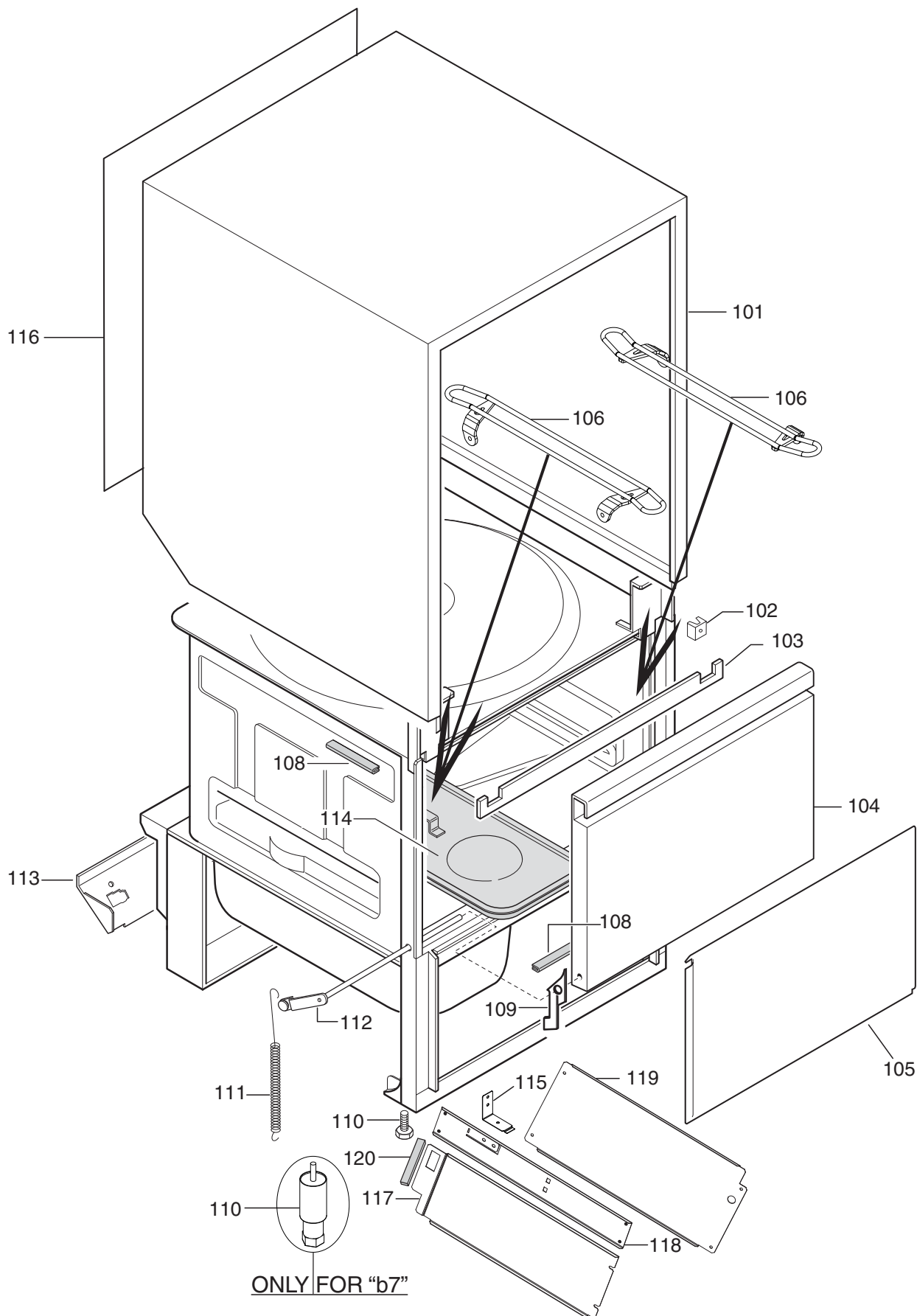
**LAVATAZZINE
GLASSWASHERS****LB1 / LB2 / GW1 / GW2 / WT1 / WT2 / NGW**

Code	Type	Ref.	Code	Type	Ref.
402000	LB1	o	402061	WT2	d
402001	LB1WS	p	402062	LB2DPDI	v
402002	LB1WSDP	q	402063	LB2WSDPDI	z
402010	WT1WSDP	a	402064	LB2WSDPD	x
402015	WT2TOP60	n	402065	LB2TOP	y
402016	WT2DPDI	b1	402066	LB2/3DP	j
402017	WT2WSDPDI	b2	402067	WT2/3DPD	k
402018	LB1TOP	r	402068	NGWGMS	b7
402019	WT2TOPDI	b3	402069	NGWDPDDG	b6
402020	LB2WS	s	402070	NGW	a7
402021	LB2	t	402071	NGWDPDD	a8
402022	LB2WSDP	u	402072	NGWDPRBP60	b8
402030	WT2WSDP	b	402073	NGWDD	b9
402032	WT2WSDPD	m	402074	NGWDPDDTF	c3
402035	WT2WS	c	698200	GW1	a1
402041	WT1	e	698201	GW1WS	a2
402042	WT1WS	g	698206	GW2DPG	b4
402043	WT1TOP	h	698207	GW2WSDPG	b5
402044	WT2TOP	f	698208	GW2G	a3
402046	WT1/3DP	i	698209	GW2WSG	a4
402047	WT2/3DP	l	698210	GW2WS	a5
402048	NWG2DPG	c1	698211	GW2	a6
402049	NWG2WSDPG	c2			
402059	NGWP	a9			
402060	NGWDPDDP	a10			

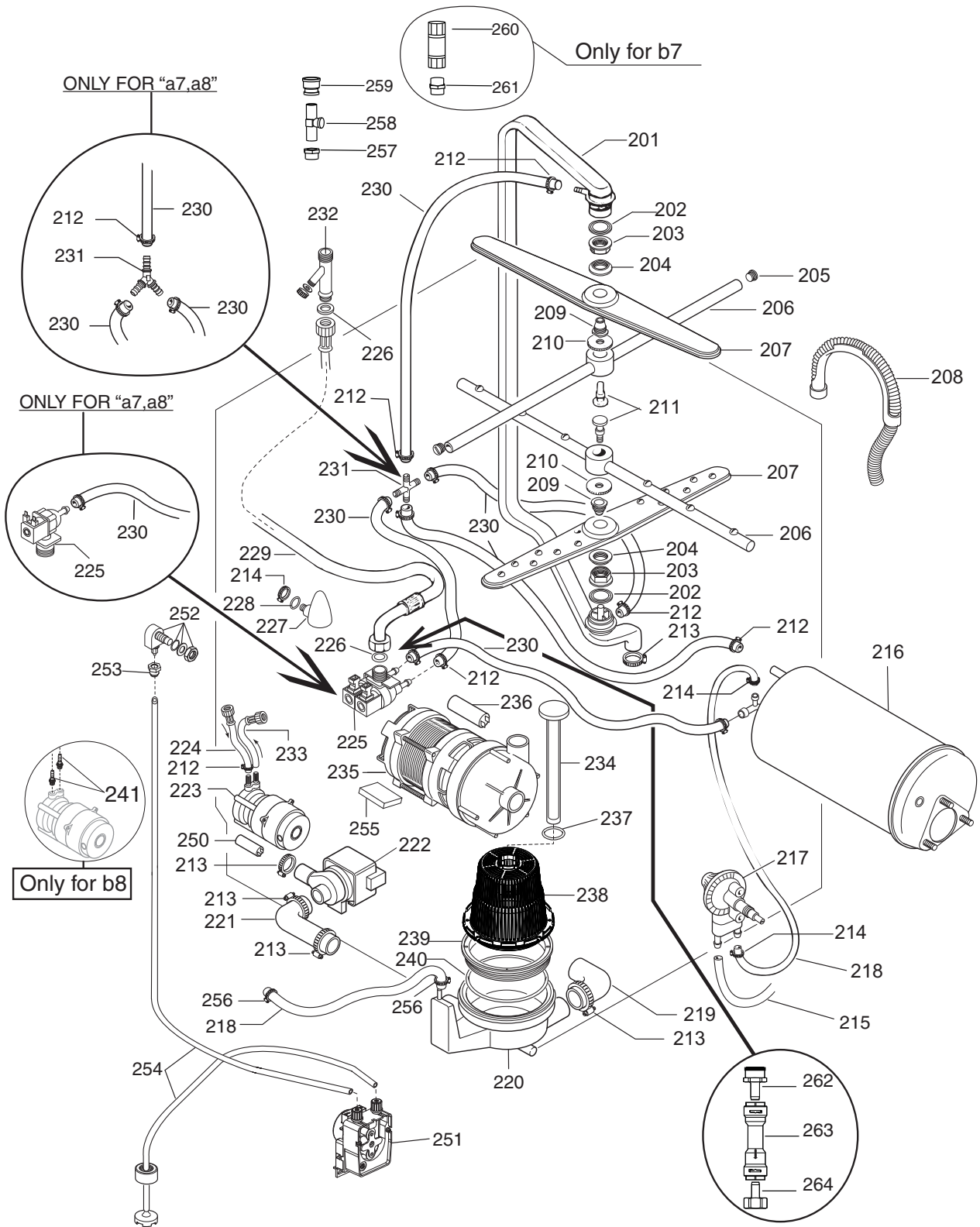
Pagina/ Page**Indice/ index**

2	Vista generale / Main view
3	Componenti idraulici / Hydraulic components
4	Componenti idraulici / Hydraulic components
5	Componenti elettrici / Electrical components
6 - 11	Lista ricambi / Spare parts list

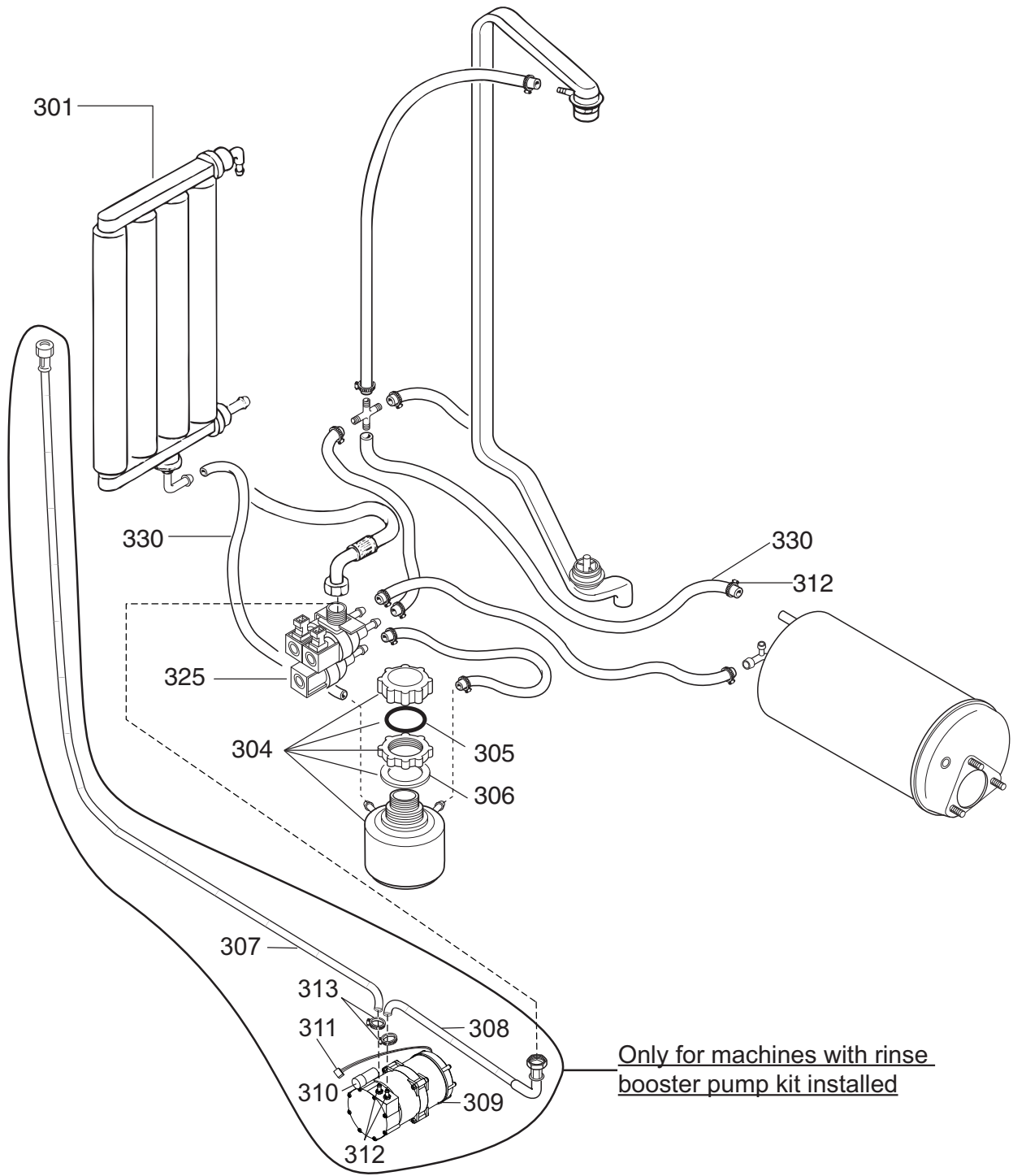
Marchio/ Brand: E
Paese/ Country: Tutti/ All



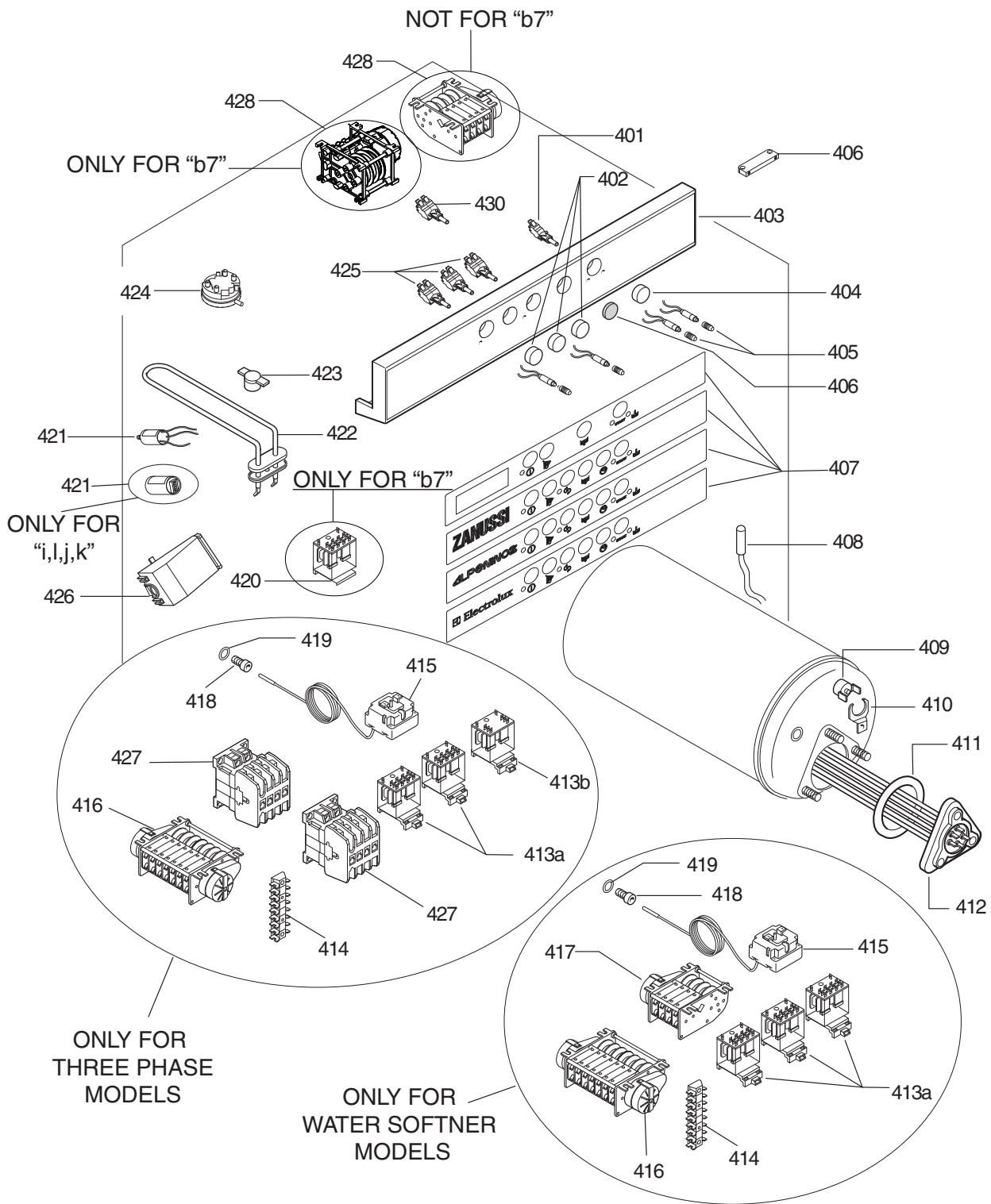
ill. 601801p1
Vista generale / Main view



ill. 601801p2
Componenti idraulici / Hydraulic components



ill. 601801p3
 Componenti idraulici / Hydraulic components



iii. 601801p4
Componenti elettrici / Electrical components

Da Ser.Nr./From Ser.nr.: /908

LAVATAZZINE LB1 / LB2 / GW1 / GW2 / WT1 / WT2 / NGW GLASSWASHERS LB1 / LB2 / GW1 / GW2 / WT1 / WT2 / NGW				Grassetto = variazioni Bold Print = changes
Pos.	Cod.ric. Part No.	Descrizione	Description	Note / Notes
		Pagina 2: Vista generale	Page 2: Main view	ill. 601801p1
101	049205	Copertura	Covering	a,e,g,h,i,o,p,q,r,a1,a2 - Up to Ser. Nr.: 303
101	0L2946	Copertura	Covering	a,e,g,h,i,o,p,q,r,a1,a2 - From Ser. Nr.: 304
101	0L2079	Copertura	Covering	a7,a8,a9,a10,b6,b7,b8,b9,c3
101	049207	Copertura	Covering	b,c,d,f,j,k,l,m,n,s,t,u,v,x,y,z,a3,a4,a5,a6,b1,b2,b3, b4,b5 - Up to Ser. Nr.: 303
101	0L2079	Copertura	Covering	b,c,d,f,j,k,l,m,n,s,t,u,v,x,y,z,a3,a4,a5,a6,b1,b2,b3, b4,b5,c1,c2 - From Ser. Nr.: 304
102	049247	Madrevite in plastica	screw plug	
103	049017	Guarnizione	Gasket	
104	049089	Porta	Door	b,c,d,f,j,k,l,m,n,s,t,u,v,x,y,z,a3,a4,a5,a6,b1,b2,b3, b4,b5,c1,c2
104	049093	Porta	Door	a,e,g,h,i,o,p,q,r,a1,a2
104	0L2086	Porta	Door	a7,a8,a9,a10,b6,b7,b8,b9,c3
105	0L1997	Pannello frontale	Frontal panel	n,v,z
105	0L1997	Pannello frontale	Frontal panel	Not for "n,v,z" - Up to Ser. Nr.: 303
105	0L2949	Pannello frontale	Frontal panel	Not for "n,v,z" - From Ser. Nr.: 304
106	0L2754	Guida cesto	Basket rail	b7
108	049016	Guarnizione	Gasket	
109	049246	Scivolo raccogliocce	Drip slide	
110	049393	Piedino	Foot	
110	0L2755	Piedino	Foot	b7
111	049200	Molla	Spring	a,e,g,h,i,o,p,q,r,a1,a2
111	049086	Molla	Spring	b,c,d,f,j,k,l,m,n,s,t,u,v,x,y,z,a3,a4,a5,a6,a7,a8,a9, a10,b1,b2,b3,b4,b5,b6,b7,b8,b9,c1,c2,c3
112	049802	Leva albero porta	Lever	
113	049101	Pannello posteriore	Rear panel	i,j,k,l - Up to Ser. Nr.: 009
113	0L2241	Pannello posteriore	Rear panel	i,j,k,l - From Ser. Nr.: 010
113	0L2080	Pannello posteriore	Rear panel	a,b,c,d,e,f,g,h,m,n,o,p,q,r,s,t,u,v,x,y,z,a1,a2,a3,a 4,a5,a6,a7,a8,a9,a10,b1,b2,b3,b4,b5,b6,b7,b8, b9,c1,c2,c3
114	049051	Filtro	Filter	Up to Ser. Nr.: 303
114	049051	Filtro	Filter	c3
115	0L2756	Squadretta	Spacer	b7
116	049209	Schienale	Back	b,c,d,f,j,k,l,m,n,s,t,u,v,x,y,z,a3,a4,a5,a6,a7,a8,a9, a10,b1,b2,b3,b4,b5,b6,b7,b8,b9,c1,c2,c3
116	049210	Schienale	Back	a,e,g,h,i,o,p,q,r,a1,a2
117	0L2420	Fondo mobile	Removable bottom panel	From Ser. Nr.: 042
118	0L2418	Traversa fondo	Bottom panel crossbar	a7, a8,a9,a10,b6,b7,b8,b9,c3
118	0L2419	Traversa fondo	Bottom panel crossbar	Not for "a7,a8,a9,a10,b6,b7,b8,b9,c3"
119	0L2421	Fondo fisso	Fixed bottom panel	From Ser. Nr.: 042
120	0L0689	Guarnizione	Gasket	30 cm - From Ser. Nr.: 042

LAVATAZZINE LB1 / LB2 / GW1 / GW2 / WT1 / WT2 / NGW GLASSWASHERS LB1 / LB2 / GW1 / GW2 / WT1 / WT2 / NGW				Grassetto = variazioni Bold Print = changes
Pos.	Cod.ric. Part No.	Descrizione	Description	Note / Notes
		Pagina 3: Componenti idraulici	Page 3: Hydraulic components	ill. 601801p2
201	049946	Gruppo lavaggio	Wash group	b,c,d,f,j,k,l,m,n,s,t,u,v,x,y,z,a3,a4,a5,a6,a7,a8,a9,a10,b1,b2,b3,b4,b5,b6,b7,b8,b9,c1,c2,c3
201	049945	Gruppo lavaggio	Wash group	a,e,g,h,i,o,p,q,r,a1,a2
202	049038	Guarnizione	Gasket	
203	049039	Ghiera	Ring nut	
204	049043	Ghiera	Ring nut	
205	048714	Tappo	Stopper	Up to Ser. Nr.: 938
206	049049	Braccio risciacquo	Rinse arms	Up to Ser. Nr.: 938
206	0L2096	Braccio risciacquo	Rinse arms	From Ser. Nr.: 939
207	049044	Braccio lavaggio	Wash arms	
208	0L1998	Tubo di scarico; per pompa	Drain pipe; for drain pump	a,b,f,j,k,h,i,l,m,n,q,r,u,v,x,y,z,a8,a10,b1,b2,b3,b4,b5,b6,b8,c1,c2,c3
208	048845	Tubo di scarico; per pompa	Drain pipe; for drain pump	b7
208	049748	Tubo di scarico	Drain pipe	c,d,e,g,o,p,s,t,a1,a2,a3,a4,a5,a6,a7,a9,b9
209	049042	Boccola	Bush	
210	049047	Rondella	Washer	
211	049046	Perno	Pin	
212	048126	Fascetta 13-20	Hose clamp 13-20	
213	047578	Fascetta 26-38	Hose clamp 26-38	
214	046946	Fascetta 8-12	Hose clamp 8-12	
215	0L0481	Tubo; 4x6	Hose; 4x6	
216	0L2081	Boiler	Boiler	Only for "a7,a8,a9,a10,b6,b7,b8,b9,c3"
216	0L1953	Boiler	Boiler	Not for "a7,a8,a9,a10,b6,b7,b8,b9,c3" - Up to Ser. Nr.: 009
216	0L2081	Boiler	Boiler	Not for "a7,a8,a9,a10,b6,b7,b8,b9,c3" - From Ser. Nr.: 010
217	0L0094	Dosatore idraulico	Dispenser; Rinse aid	Up to Ser. nr. 347
217	0L3182	Dosatore idraulico	Dispenser; Rinse aid	From to Ser. nr. 348
218	048883	Tubo; 5x12	Hose; 5x12	Not for "a7,a8,a9,a10,b6,b7,b8,b9,c3"
218	072393	Tubo; 4x7,4	Hose; 4x7,4	Only for "a7,a8,a9,a10,b6,b7,b8,b9,c3"
219	0L0405	Raccordo	Connection	
220	049035	Collettore	Manifold	
221	049080	Manicotto	Hose	a,b,f,h,i,j,k,l,m,n,q,r,u,v,x,y,z,a8,a10,b1,b2,b3,b4,b5,b6,b7,b8,c1,c2,c3
222	0L0994	Pompa di scarico 50hz	Drain pump 50hz	a,b,f,h,i,j,k,l,m,q,r,u,v,x,y,z,a8,a10,b1,b2,b3,b4,b5,b6,b7,c3 - Up to Ser. Nr.: 144
222	0L2133	Pompa di scarico 50hz	Drain pump 50hz	a,b,f,h,i,j,k,l,m,q,r,u,v,x,y,z,a8,a10,b1,b2,b3,b4,b5,b6,b8,c1,c2,c3 - From Ser. Nr.: 145
222	0L1131	Pompa di scarico 60hz	Drain pump 60hz	n - Up to Ser. Nr.: 144
222	0L2133	Pompa di scarico 60hz	Drain pump 60hz	n - From Ser. Nr.: 145
223	048910	Elettropompa	Electric pump	f,h,y,n,r,b3,b8
224	048909	Tubo alimentazione	Feed hose	f,h,y,n,r,b3

LAVATAZZINE LB1 / LB2 / GW1 / GW2 / WT1 / WT2 / NGW GLASSWASHERS LB1 / LB2 / GW1 / GW2 / WT1 / WT2 / NGW				Grassetto = variazioni Bold Print = changes
Pos.	Cod.ric. Part No.	Descrizione	Description	Note / Notes
224	0L3048	Tubo alimentazione	Feed hose	Only for b8
225	049056	Elettrovalvola	Electric valve	UP to Ser. Nr: 4501 d,e,i,j,k,l,o,t,v,a1,a3,a6,b1,b4,b7,c1
225	0L3441	Elettrovalvola	Electric valve	From Ser. Nr: 4511 d,e,i,j,k,l,o,t,v,a1,a3,a6,b1,b4,b7,c1
225	0L2065	Elettrovalvola	Electric valve	a7,a8,a9,a10,b6,b9,c3
226	0L1945	Guarnizione; diam 3/4	Gasket; diam 3/4	
227	048853	Nasello di sfiato	Spigot; air relief	a,b,f,h,i,j,k,l,m,n,q,r,u,v,x,y,z,a8,a10,b1,b2,b3,b4, b5,b6,b7,b9,c1,c2,c3
228	068642	O Ring	O Ring	a,b,f,h,i,j,k,l,m,n,q,r,u,v,x,y,z,a8,a10,b1,b2,b3,b4, b5,b6,b7,b9,c1,c2,c3
229	0L1887	Tubo alimentazione	Feed hose	a,b,c,d,e,g,i,j,k,l,m,o,p,q,s,t,u,v,x,z,a1,a2,a3,a4,a 5,a6,b1,b4,b5,b7,c1,c2
229	048816	Tubo alimentazione	Feed hose	a7,a8,a9,a10,b6,b9,c3
230	048531	Tubo gomma	Hose	
231	0L0353	Raccordo a 4 vie	4 ways connection	Not For "a7,a8,a9,a10,b6,b9,c3"
231	048195	Raccordo a 3 vie	3 ways connection	Only for "a7,a8,a9,a10,b6,b9,c3"
232	048834	Filtro	Filter	Not for "a7,a8,a9,a10,b6,b9,c3"
233	049231	Tubo	Pipe	f,h,y,n,r,b3
233	0L3049	Tubo	Pipe	Only for b8
234	049195	Tubo troppo pieno	Overflow connector	a,b,f,h,i,j,k,l,m,n,q,r,u,v,x,y,z,a8,a10,b1,b2,b3,b4, b5,b6,b7,b8,c1,c2,c3
234	049194	Tubo troppo pieno	Overflow connector	c,d,e,g,o,p,s,t,a1,a2,a3,a4,a5,a6,a7,a9,b9
235	0L0571	Pompa	Pump	Not for "n"
235	0L0572	Pompa	Pump	n,b8
236	049260	Condensatore	Condensator	
237	049036	Anello	Ring	
238	0L2757	Filtro	Filter	
239	049034	Ghiera	Ring nut	
240	049033	Anello	Ring	
241	0L0477	Portagomma in ottone	Brass fitting	b8
250	049126	Condensatore	Condensator	f,h,y,n,r,b3,b8
251	049469	Pompa perist. Detergente	Pump; Detergent	k,m,v,x,z,a8,a10,b1,b2,b3,b6,b7,b9,c3
251	0S1710	Pompa perist. Detergente	Pump; Detergent	k,m,v,x,z,a8,a10,b1,b2,b3,b6,b7,b9,c3
252	049801	Iniettore detergente	Detergent injector	k,m,v,x,z,b1,b2,b3,b9
253	0L0349	Assieme tappo	Plug assembly	k,m,v,x,z,b1,b2,b3
254	049905	Tubo detergente	Detergent pipe	k,m,v,x,z,b1,b2,b3
255	0L0480	Coibentante adesivo	Adhesive insulated panel	
256	046946	Fascetta 8 -12	Hose clamp 8 -12	Not for "a7,a8,a9,a10,b6,b7,b9,c3"
257	0L0262	Riduzione M.3/4" - F.1/2"	Adapter M.3/4" - F.1/2"	From Ser. Nr.: 042, Not for "b8"
258	0L0264	Valvola di non ritorno	No back-flow valve	From Ser. Nr.: 042 Not for "b8"
259	0L0263	Manicotto F.3/4"- F.1/2"	Coupling F.3/4"- F.1/2"	From Ser. Nr.: 042 Not for "b8"
260	0L2980	Doppia valvola di non ritorno	Double no back-flow valve	Only for b7 - From Ser. Nr. 316
261	072457	Giunto M.3/4" - M.3/4"	Coupling M.3/4"- M.3/4"	Only for b7 - From Ser. Nr. 316

LAVATAZZINE LB1 / LB2 / GW1 / GW2 / WT1 / WT2 / NGW GLASSWASHERS LB1 / LB2 / GW1 / GW2 / WT1 / WT2 / NGW				Grassetto = variazioni Bold Print = changes
Pos.	Cod.ric. Part No.	Descrizione	Description	Note / Notes
262	544688 G00	Giunto M.3/4"	Coupling M.3/4"	Only for b8
263	549647 800	Doppia valvola di non ritorno	Double no back-flow valve	Only for b8
264	544688 H00	Giunto F.3/4"	Coupling F.3/4"	Only for b8
		Pagina 4: Componenti idraulici	Page 4: Hydraulic components	ill. 601801p3
301	049074	Decalcificatore	Water softner	a,b,c,f,g,h,m,n,p,q,r,s,u,x,y,z,a2,a4,a5,b2,b3,b5,c2
304	049075	Boccia sale compl. OR + Tappo e ghiera	Salt container	a,b,c,f,g,h,m,n,p,q,r,s,u,x,y,z,a2,a4,a5,b2,b3,b5,c2
305	049245	Guarnizione	Gasket	a,b,c,g,f,h,m,n,p,q,r,s,u,x,y,z,a2,a4,a5,b2,b3,b5,c2
306	049244	Guarnizione ghiera	Gasket	a,b,c,g,f,h,m,n,p,q,r,s,u,x,y,z,a2,a4,a5,b2,b3,b5,c2
307	0L2394	Tubo ingresso acqua	Water inlet pipe	<u>Rinse booster pump kit</u>
308	0L2389	Tubo uscita pompa	Pump outlet pipe	<u>Rinse booster pump kit</u>
309	0L2391	Pompa + condensatore	Pump + capacitor	<u>Rinse booster pump kit</u>
310	049126	Condensatore	Capacitor	8 µF - <u>Rinse booster pump kit</u>
311	0L2392	Cavetto di terra	Ground cable	<u>Rinse booster pump kit</u>
312	0L2393 0L2390	Portagomma G 3/8" M (Pompa + condensatore) + cavetto di terra + portagomma	Fitting G 3/8" M (Pump + capacitor) + ground cable + fitting	<u>Rinse booster pump kit</u> (pos. 309 + pos. 311 + pos. 312) <u>Rinse booster pump kit</u>
313	048126	Fascetta 13-20	Hose clamp 13-20	<u>Rinse booster pump kit</u>
325	049077	Elettrovalvola	Electric valve	a,b,c,f,g,h,m,n,p,q,r,s,u,x,y,z,a2,a4,a5,b2,b3,b5,c2
330	048531	Tubo gomma	Hose	
		Pagina 5: Componenti elettrici	Page 5: Electrical components	ill. 601801p4
401	049068	Pulsante	Push button	
402	049062	Pulsante	Push button	
403	0L1999	Cruscotto	Control panel	
404	049091	Pulsante	Push button	
405	049064	Lampada verde	Green pilot lamp	
406	0L1001	Magnete	Magnete	a7,a8,a9,a10,b6,b7,b8,b9,c3
407	0L2000	Policarbonato adesivo	Plate	a,b,f,h,m,n,b2,b3
407	0L2001	Policarbonato adesivo	Plate	d,e
407	0L2002	Policarbonato adesivo	Plate	i,k,l,b1
407	0L2003	Policarbonato adesivo	Plate	o,t
407	0L2004	Policarbonato adesivo	Plate	p,s
407	0L2125	Policarbonato adesivo	Plate	c,g

LAVATAZZINE LB1 / LB2 / GW1 / GW2 / WT1 / WT2 / NGW				Grassetto = variazioni
GLASSWASHERS LB1 / LB2 / GW1 / GW2 / WT1 / WT2 / NGW				Bold Print = changes
Pos.	Cod.ric. Part No.	Descrizione	Description	Note / Notes
407	0L2005	Policarbonato adesivo	Plate	q,r,u,x,y,z
407	0L2006	Policarbonato adesivo	Plate	a1,a3,a6
407	0L2404	Policarbonato adesivo	Plate	b4
407	0L2007	Policarbonato adesivo	Plate	a2,a4,a5
407	0L2403	Policarbonato adesivo	Plate	b5
407	0L2008	Policarbonato adesivo	Plate	v,j
407	0L2082	Policarbonato adesivo	Plate	a7,a9,b9
407	0L2083	Policarbonato adesivo	Plate	a8,a10,b6,c3
407	0L2753	Policarbonato adesivo	Plate	b7
407	0L3183	Policarbonato adesivo	Plate	c1
407	0L3184	Policarbonato adesivo	Plate	c2
408	048486	Sensore magnetico; cilindrico	Magnetic switch; round	Not for "a7,a8,a9,a10,b6,b7,b9,c3"
408	049621	Sensore magnetico; cilindrico	Magnetic switch; round	a7,a8,a9,a10,b6,b7,b8,b9,c3
409	048887	Termostato sicurezza	Thermostat; safety	
410	048987	Squadretta	Bracket	
411	067620	O Ring	O Ring	
412	048927	Resistenza; 230V, 3KW, 165mm	Heating element; 230V, 3KW, 165mm	a,b,c,d,e,f,g,h,m,n,o,p,q,r,s,t,u,v,x,y,z,a1,a2,a3, a4,a5,a6,a7,a8,a9,a10,b1,b2,b3,b4,b5,b6,b7,b9, c1,c2,c3
412	048928	Resistenza;230V, 4,5KW, 230mm	Heating element; 230V, 4,5KW, 230mm	i,j,k,l
413a	048611	Rele'; 230V, 4 contatti	Relay; 4 contacts	a,b,f,h,i,j,k,l,m,n,q,r,u,v,x,y,z,a5,b1,b2, b3,b4,b5,c1,c2
413b	048438	Rele'; 230V, 2 contatti	Relay; 2 contacts	c,d,e,g,o,p,s,t,a1,a2,a3,a4,a5,a6,a7,a8,a9,a10, b6,b7,b8,b9,c3
414	045794	Morsettiera	Junction block	Not for "a7,a8,a9,a10,b6,b7,b9,c3"
415	049255	Termostato boiler	Thermostat; boiler	Up to Ser. Nr.: 009
415	0L2122	Termostato boiler	Thermostat; boiler	From Ser. Nr.: 010
416	049256	Timer	Timer	Not for "n,a7,a8,a9,a10,b6,b7,b9,c3"
416	049405	Timer	Timer	n
417	049251	Timer	Timer	a,b,f,h,m,q,r,u,x,y,z,b2,b3,b5,c2
417	0L2009	Timer	Timer	n
417	049076	Timer	Timer	c,g,p,s,a2,a4,a5
417	0L3050	Timer	Timer	b8
418	067899	Premistoppa	Stuffing box	
419	067898	O Ring	O Ring	
420	056466	Rele'; 230V, 4 contatti	Relay; 4 contacts	b7,b8
421	048726	Filtro RFI; con cavetti	RFI filter; with cables	Up to Ser. Nr.: 205
421	048726	Filtro RFI; con cavetti	RFI filter; with cables	i, l, j, k - Up to Ser. Nr.: 315
421	0L2982	Filtro RFI	RFI filter	i, l, j, k - From Ser. Nr.: 316
422	049059	Resistenza	Heating element	
423	048804	Termostato vasca	Thermostat; tank	
424	049081	Pressostato	Pressure switch	a,b,f,h,i,j,k,l,m,n,q,r,u,v,x,y,z,a10,b1,b2,b3,b4,b5, b6,b7,b8,c1,c2,c3

LAVATAZZINE LB1 / LB2 / GW1 / GW2 / WT1 / WT2 / NGW GLASSWASHERS LB1 / LB2 / GW1 / GW2 / WT1 / WT2 / NGW				Grassetto = variazioni Bold Print = changes
Pos.	Cod.ric. Part No.	Descrizione	Description	Note / Notes
424	049058	Pressostato	Pressure switch	c,d,e,g,o,p,s,t,a1,a2,a3,a4,a5,a6,a7,a8,a9,b9
425	049063	Interruttore	Switch	
426	049257	Morsettiera	Connector	i,j,k,l - Up to Ser. Nr.: 009
426	0L2237	Morsettiera	Connector	i,j,k,l - From Ser. Nr.: 010
426	049370	Morsettiera	Connector	a,b,c,d,e,f,g,h,m,n,o,p,q,r,s,t,u,v,x,y,z,a1,a2,a3, a4,a5,a6,a7,a8,a9,a10,b1,b2,b3,b4,b5,b6,b7,b8, b9,c1,c2,c3
427	0L0285	Contattore; 230V, 50 HZ, 25A	Contactore; 230V, 50 Hz, 25A	i,j,k,l
428	0L2084	Timer da 1 ciclo (120 sec.)	One cycle timer (120 sec.)	a7,a8,a9,a10,b6,b9,c3
428	0L2760	Timer da 1 ciclo (60 sec.)	One cycle timer (60 sec.)	b7
428	646619	Timer da 1 ciclo (60 sec. - H00	One cycle timer (60 sec. - 60Hz)	b8
430	0L2654	Pulsante bipolare	Bipolar button	a8,a10,b6,b7,c3