

**LAVASTOVIGLIE A CAPPOTTINA
HOOD TYPE DISHWASHER****ZHT / OHT / KHT / NHT / EHT**

Code	Type	Ref.	Pagina/ Page	Code	Type	Ref.	Pagina/ Page
PRESSIONE				ATMOSFERICA			
505046	EHT	a	2 3 5 6	505036	EHTAO	q	2 3 4 6
505047	EHT60	b	2 3 5 6	505048	EHTG	d	2 3 4 6
505049	EHTM	e	2 3 5 6	505054	EHTAROW	m	2 3 4 6
505050	EHTM60	f	2 3 5 6	505055	EHTAROW60	n	2 3 4 6
505051	NHT	h	2 3 5 6	505056	ZHTAROW	o	2 3 4 6
505052	NHTD	i	2 3 5 6	505057	ZHTAROW60	p	2 3 4 6
505053	NHT60	l	2 3 5 6	505058	EHTAJ	z	2 3 4 6
505063	KHT	c	2 3 5 6	505059	EHTAJ60	k	2 3 4 6
505064	NHTM	x	2 3 5 6	505060	EHTAO60	r	2 3 4 6
505065	NHTM60	y	2 3 5 6	505061	ZHTAO	s	2 3 4 6
505082	NHTP	a1	2 3 5 6	505062	ZHTAO60	t	2 3 4 6
				698047	OHTAROW	u	2 3 4 6
				698048	OHTAROW60	v	2 3 4 6
				698058	NHTDPDDG	a2	2 3 4 6
				698110	NHTG	g	2 3 4 6

Pagina/ Page**Indice/ index**

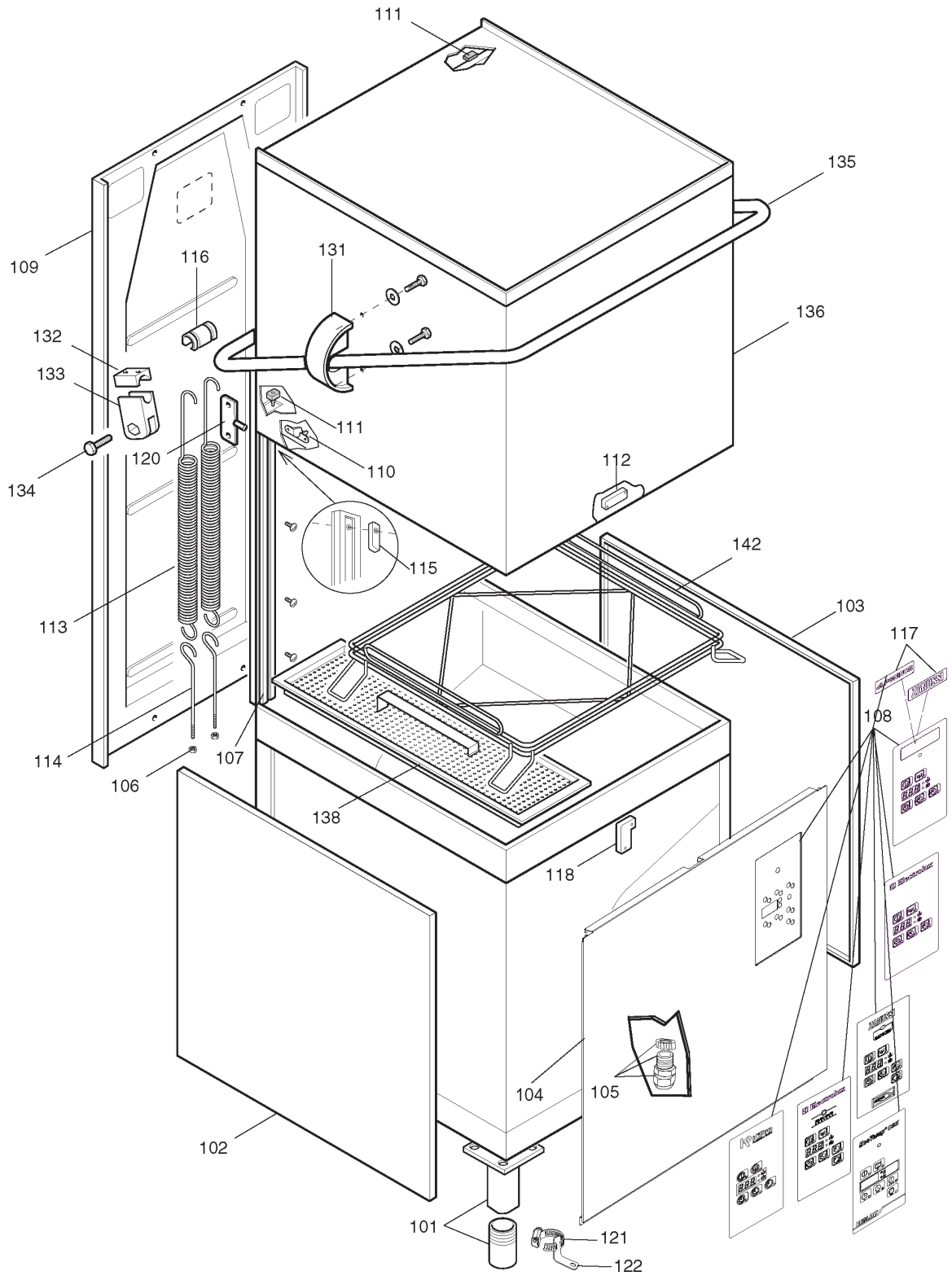
2	Vista generale / Main view
3	Componenti idraulici / Hydraulic components
4	Circuito idraulico atmosferico / Atmospheric plumbing circuit
5	Circuito idraulico a pressione / Pressurized plumbing circuit
6	Componenti elettrici / Electrical components
7 - 14	Lista ricambi / Spare parts list

Marchio/ Brand: E**Paese/ Country: Tutti/ All**

Da Ser.Nr./From Ser.nr.: /839....

Page: 1 Ed.2013-11

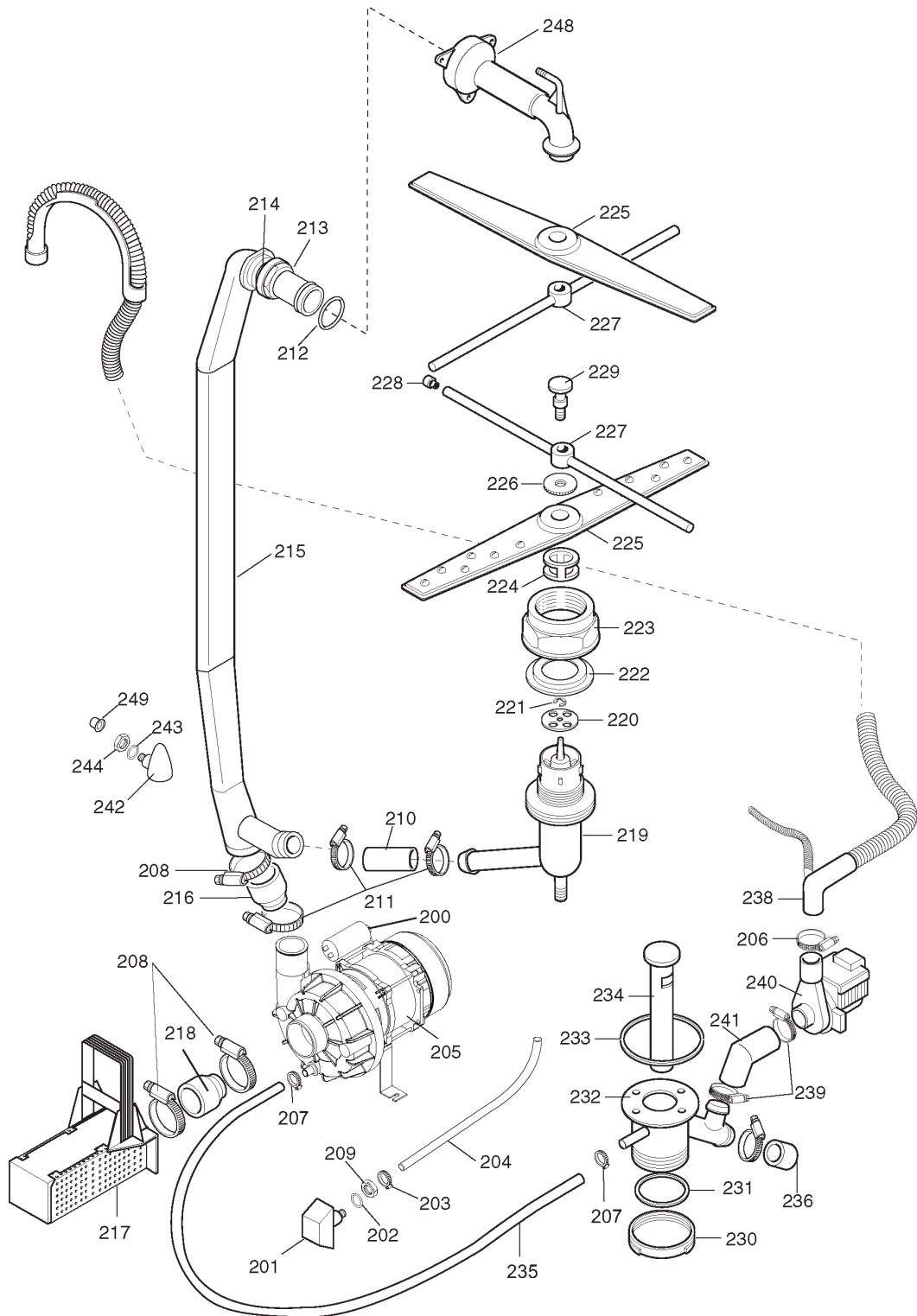
Doc. Nr.: 595665P00



iii. 595665P00_p2
 Vista generale / Main view

Da Ser.Nr./From Ser.nr.: /839....	Page: 2 Ed.2010-12	Doc. Nr.: 595665P00
-----------------------------------	--------------------	---------------------

??????	505052									
??????	595665P00	???????? 2	Main view							
.		Alias		S			.			(Euro)
0101	048579			S				COMPLETE FOOT; H=153MM	a,b,h,i,l,c,a1,q,d,m,n,o,p,z,k,r, s,t,u,v,a2,g	16,66
0102	0L0062							RIGHT SIDE PANEL		107,60
0103	0L0063							LEFT SIDE PANEL		107,60
0104	0L1700							FRONT PANEL; ASSY; LS9		100,50
0105	048932							FIXING CABLE		6,76
0106	049761							BUSH		1,91
0107	0L0084			S				RUNNER		16,77
0108	0L1680							ADHESIVE MEMBRANE; LS9	g,h,l,i,x,y,a1,a2	110,60
0109	0L0066							REAR PANEL	a,b,c,e,f,h,l,i,x,y,a1	76,33
0110	049527							DRIP SLIDE		3,50
0111	0L0090			S	A			ABSORBER		3,97
0112	049627							MAGNET		9,82
0113	0L0057			S				SPRING		32,38
0114	049583							SPRING STRETCHER		10,18
0115	0L0099			S				SLIDING SHOE		2,65
0116	049594							SPRING SUPPORT		2,46
0117	0L1664				D			ADHESIVE NAME PLATE; LS5/ LS6	g,h,l,i,a1,a2	
0117	0L1665							ADHESIVE; LS5/LS6	g,h,l,i,a1,a2	
0118	0L1871			S	A	Kit		REED SWITCHT; KIT		20,40
0120	0L0059							BRACKET WITH BOLT		14,33
0121	0L2463							CLAMP; DIA.50-70; INOX	From Ser. Nr.: 103	5,60
0122	0L2464							BRACKET	From Ser. Nr.: 103	6,22
0131	0L0058			S				RUNNER		7,85
0132	0L0055							SUPPORT; UPPER		6,68
0133	0L0056							SUPPORT; LOWER		6,68
0134	0L0091							SCREW		4,67
0135	0L0054							HANDLE		116,70
0136	0L0053			S				COVERING; LS9		441,50
0138	0L0069			S				FILTER		67,60
0142	049629			S				RUNNER FOR BASKET		106,60



ill. 595665P00_p3
Componenti idraulici / Hydraulic components

Da Ser.Nr./From Ser.nr.: /839....

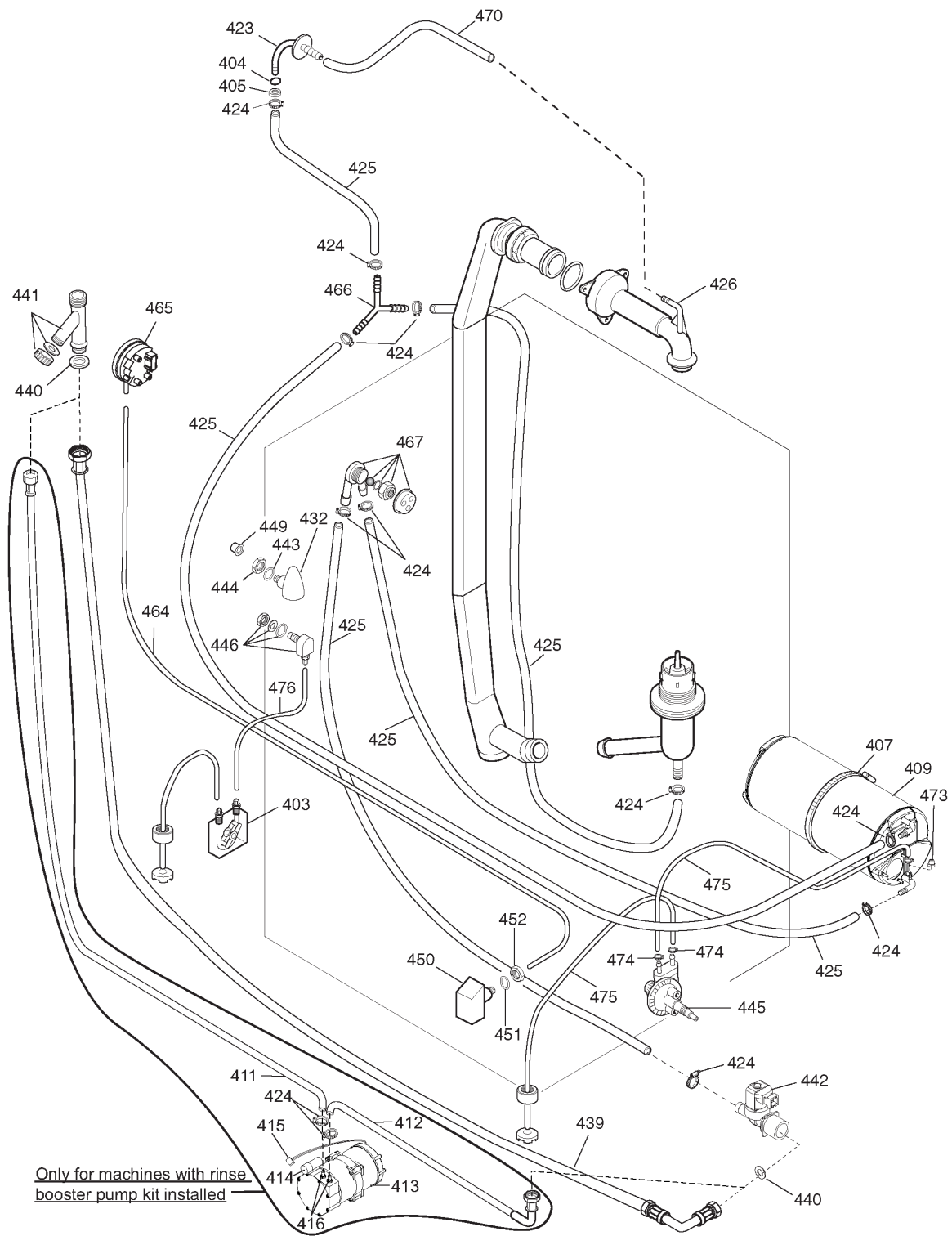
Page: 3 Ed.2008-09

Doc. Nr.: 595665P00

??????	505052									
??????	595665P00	???????? 3					Hydraulic components			
.		Alias		S			.			(Euro)
0200	0A2914						CAPACITOR; 16MF 500V	16 µF		17,40
0201	048308						AIR TRAP; FOR PRESSURE GAUGE			4,44
0202	068642						O-RING; ØI=15,54X2,62	Up to Ser. nr.: 006		1,02
0203	046946						CLAMP; 8-12/7,5			2,22
0204	048883						RUBBER HOSE; 5X12; 1PZ=2300MM			12,31
0204	049904			S		CGX200 8-16	PRESSURE SWITCH HOSE; L=60CM	From Ser. nr.: 007		5,17
0205	0L1914			S	A		PUMP; ZF522VSX; 230V 1PH; 50HZ	a,c,d,g,h,i,m,o,q,s,u,a1,a2 - 50 Hz		234,50
0206	047578						CLAMP; 26-38			1,80
0207	048126						CLIP; 13-20	a,b,h,i,l,c,a1,q,d,m,n,o,p,z,k,r, s,t,u,v,a2,g		1,58
0208	046853						HOSE CLAMP; 60-80/9			2,53
0209	049268						HEX NUT; M14X1,5			1,80
0210	0L0612			S			SLEEVE			6,97
0211	0L0193			S			CLMAP; 40-60/9			2,01
0212	0L0185		068799				OR; 164 3,53X60,33			
0213	0L0557			S			RING NUT; Ø MAX=96MM; H=25MM			4,03
0214	049593						O-RING; ØI=72,39X5,34 MM			1,91
0215	0L0556			S			PIPE; FOR WASHING ARMS SUPPORTS			49,43
0216	0L0068			S			JUNCTION			16,05
0217	049810						FILTER FOR PUMP			33,09
0218	0L0067			S			JUNCTION			14,15
0219	048235						SUPPORT F. LOWER JETS			40,90
0220	048820						SHUTTER			4,65
0221	048979						SNAP RING			1,42
0222	048236						GASKET			3,69
0223	048237						RING NUT; LOWER JETS SUPPORT			5,29
0224	048401					06001	HUB; FOR WASH ARM			21,32
0225	0L0598			S	A	CGX200 4-10	WASHING ARM ASSEMBLY			50,95
0226	048632						LOCK WASHER			9,50
0227	048716		0L2095				RINSE JET	a,b,c,d,e,f,g,h,i,l,x,y,a1,a2 - Up to Ser. Nr.: 936		
0227	0L2095			S			RINSE ARMS	a,b,c,d,e,f,g,h,i,l,x,y,a1,a2 - From Ser. Nr.: 937		61,92
0228	048714					CGX200 2-09	PLUG; FOR RINSE ARM	a,b,c,d,e,f,g,h,i,l,x,y,a1,a2 - Up to Ser. Nr.: 936		1,02
0229	000000									
0230	000000									
0231	000000									
0232	000000									
0233	000000									

?????? 505052
 ?????? 595665P00 ???????? 3 Hydraulic components

.		Alias		S		.			(Euro)
0234	000000								
0235	000000								
0236	000000								
0238	000000								
0239	000000								
0240	000000								
0241	000000								
0242	000000								
0243	000000								
0244	000000								
0248	000000								
0249	000000								



iii. 595665P00_p5
Circuito idraulico a pressione / Pressurized plumbing circuit

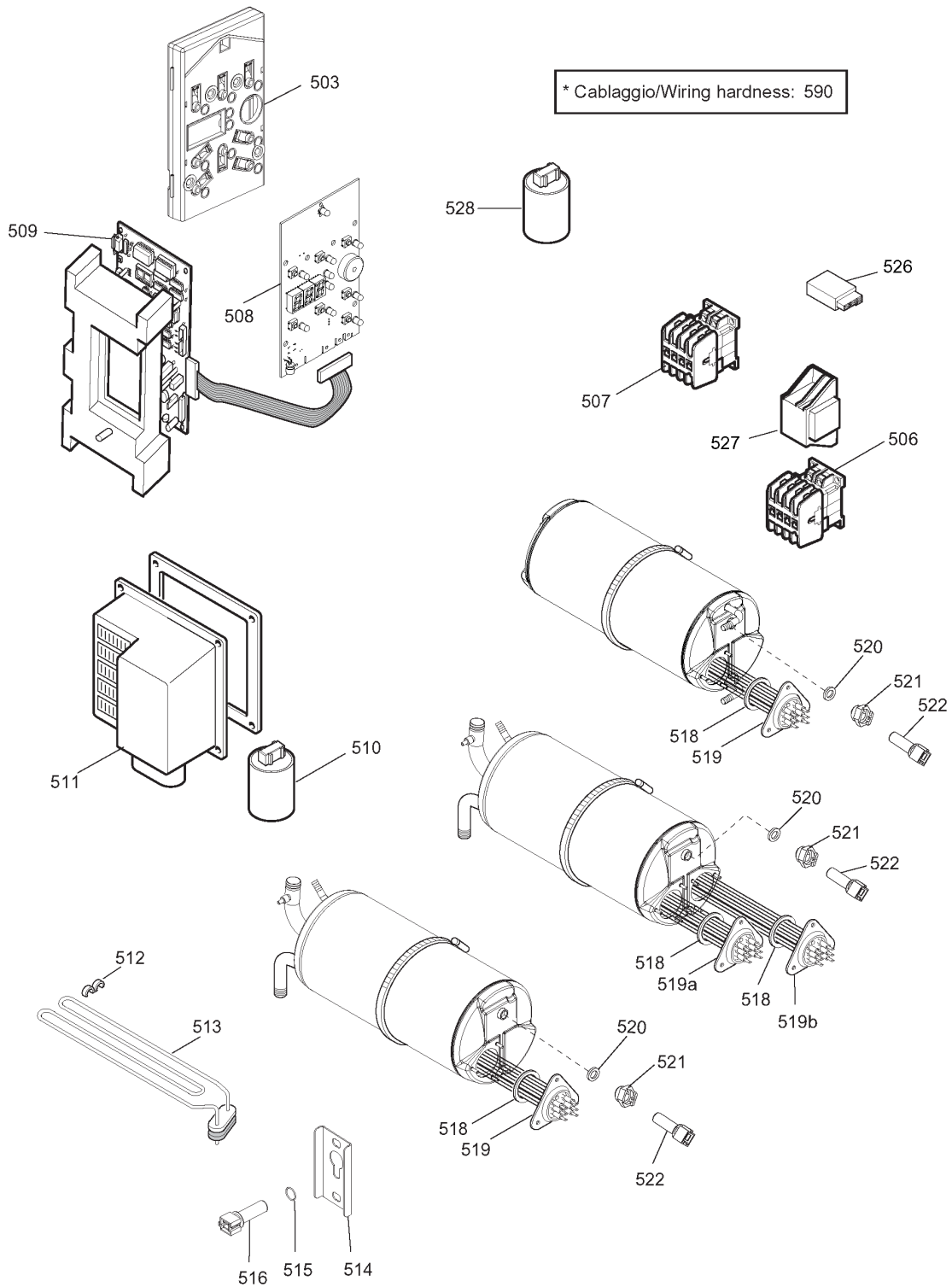
Da Ser.Nr./From Ser.nr.: /839....

Page: 5 Ed.2010-10

Doc. Nr.: **595665P00**

??????	505052								
??????	595665P00	???????? 5				Pressurized plumbing circuit			
.		Alias		S		.			(Euro)
0403	0L0696		0S1711		D		PUMP; F/DETERGENT	i	
0404	046799						O-RING; FOR OVERFLOW PIPE		1,02
0405	049436						NUT; M20X1,5		3,87
0407	0TH122			S			CLAMP; 200-220		7,60
0409	0L0284			S	A		BOILER; AISI 304	From Ser. nr.: 018	195,90
0409	0L1908		0L0284				BOILER; ASSY; LS9/LS6	Up to Ser. nr.: 017	
0411	0L2394						FEEDER HOSE	Rinse booster pump kit	26,29
0412	0L2389						FEEDER HOSE	Rinse booster pump kit	27,81
0413	0L2391			S	A		RINSE PUMP; PS45	Rinse booster pump kit	223,30
0414	049126			S	A		CAPACITOR; 8MF	8 µF - Rinse booster pump kit	16,03
0415	0L2392				D		EL. CABLE; FOR GROUND	Rinse booster pump kit	3,38
0416	0L2390						RINSE PUMP; ASSY	Rinse booster pump kit - (pos. 413 + pos. 415 + pos. 416)	239,50
0416	0L2393						RUBBER HOLDER; 3/8"; MALE	Rinse booster pump kit	17,11
0423	0L0052						CONNECTION		24,26
0424	048126						CLIP; 13-20		1,58
0425	048531						RUBBER HOSE; ØI=12MM;ØE=19,5MM;BY METER		9,55
0426	0L0051			S			SUPPORT; UPPER JET		28,72
0432	048853						AIR CHAMBER		4,01
0439	0L1887			S			FEEDING HOSE; 2000MM		14,49
0440	0L1945					Kit	GASKET; SET 50PCS; DIA.26,5MM		16,55
0441	048834						STRAINER		13,63
0442	0L0566		0L3445		A		SOLENOID VALVE; TYPE 329P5; 20 L/MIN		
0443	068642						O-RING; ØI=15,54X2,62		1,02
0444	049268						HEX NUT; M14X1,5		1,80
0445	0L0094		0L4295				RINSE AID DISPENSER		
0446	049801					CGX200 0-22	DETERGENT INJECTOR	i	23,35
0449	049849			S			STOPPER		1,02
0450	048308						AIR TRAP; FOR PRESSURE GAUGE		4,44
0451	068642						O-RING; ØI=15,54X2,62	Up to Ser. nr.: 006	1,02
0452	049268						HEX NUT; M14X1,5		1,80
0464	048883						RUBBER HOSE; 5X12; 1PZ=2300MM		12,31
0464	049904			S		CGX200 8-16	PRESSURE SWITCH HOSE; L=60CM	From Ser. nr.: 007	5,17
0465	049620						PRESSURE SWITCH; CALIB.= 250/130-390		20,00
0466	048195						3-WAY FITTING; 2XØ=12MM E 1XØ=8,6MM		6,58
0467	0L1892			S			NONRETURN VALVE; HIGH TEMPERATURE		18,09

??????	505052								
??????	595665P00	???????? 5					Pressurized plumbing circuit		
.		Alias		S			.		(Euro)
0470	049379		0L3641					HOSE; WRC, 1PC=1130MM	22,23
0473	0L0349			S				PLUG	2,22
0474	046946							CLAMP; 8-12/7,5	2,22
0475	0L0481			S				TUBE; L=2660 MM; ØE=6 MM; BLU	10,67
0476	049905		0L1163		D			HOSE; 1PC=2,66 MT	



iii. 595665P00_p6
Componenti elettrici / Electrical components

Da Ser.Nr./From Ser.nr.: /839....

Page: 6 Ed.2009-12

Doc. Nr.: **595665P00**

??????	505052								
??????	595665P00	???????? 6	Electrical components						
.	Alias	S	(Euro)
0503	0L1568	0L3876	D					USER COVERING; LS14	
0508	0L1566	0L3876	D					USER INTERFACE BOARD; HT ACTIVE	a,b,e,f,h,i,l,c,x,y,a1,d,a2,g - Up to Ser. Nr.: 022
0508	0L1973	0L3876						USER INTERFACE BOARD; ASIA	a,b,e,f,h,i,l,c,x,y,a1,d,a2,g - From Ser. Nr.: 023
0509	0L2582		S	A				PCB; DIWAP10; 50/60HZ	a,b,c,e,f,h,i,l,x,y,a1
0510	049303							RADIO INTERFERENCE FILTER; 250V 50/60HZ	a,b,e,h,i,l,c,a1,q,m,n,o,p,r,s,t,u,v,a2,g - Up to Ser. Nr.: 213
0511	0L0111		S					JUNCTION BOX	
0512	048429							BRACKET	
0513	048924	0L2340						TANK HEATING ELEMENT; 2200W 230V	a,b,h,i,l,c,a1,d,v,a2,g - Up to Ser. Nr.: 022
0513	0L2340		S	A				HEATING ELEMENT; 230V-2200W	a,b,h,i,l,c,a1,d,v,a2,g - From Ser. Nr.: 023
0514	0L0366		S					SUPPORT	
0515	0L2303		S					O-RING; DIA.9,25X1,78	
0516	049643							TEMPERATURE PROBE	
0518	0E5037					CGX200 0-46		HEATING ELEMENT GASKET;DIA.56,52XSP.5,33	a,b,c,e,h,l,i,d,g,x,a1,a2
0519	0L2653		S	A				HEATING ELEMENT; 230V 9000W	
0520	0L2303		S					O-RING; DIA.9,25X1,78	a,b,c,h,l,i,d,g,k,z,a1,a2
0521	0L0280		S	A				STUFFING BOX	a,b,c,h,l,i,d,g,k,z,a1,a2
0522	049643							TEMPERATURE PROBE	a,b,c,h,l,i,d,g,k,z,a1,a2
0528	049901							INDUCTIVE-CAPACITIVE FILTER;SINGLE PHASE	a,c,d,e,b,f,g,h,l,i,k,z,x,y,a1,a2
0590	0L2487		S					WIRING HARNESS	a,b,h,i,l,c,a1,d,a2,g
519a	000000								
519b	000000								