

**LAVASTOVIGLIE SOTTOTAVOLO
 UNDERCOUNTER DISHWASHER**
NUC/EUC/KUC/VUC/NUCA/ZUCA/FUCA/EUCA/VUCA

Code	Type	Ref.	Pagina/ Page	Code	Type	Ref.	Pagina/ Page
400035	EUC1/2	c2	3 4 5 7	400080	ZUC1GMS	d9	3 4 5 7
400036	EUC1DP/2	c3	3 4 5 7	400081	VUC1	e1	3 4 5 7
400040	EUC3/2	c4	3 4 5 7	400082	VUC3	e2	3 4 5 7
400041	NUC3DD	o	3 4 5 7	400083	VUC3G	e3	3 4 5 7
400045	EUC3DP/2	c5	3 4 5 7	400085	VUCA3G	e5	3 4 6 7
400046	EUC3DD/2	c6	3 4 5 7	400086	VUC1G	e4	3 4 5 7
400049	ZUC1	d3	3 4 5 7	400087	EUC1O	e7	3 4 5 7
400050	ZUC1DP	d4	3 4 5 7	400088	ZUC3D	f2	3 4 5 7
400053	ZUC3	d5	3 4 5 7	400095	EUCAGROWM	e8	3 4 6 7
400055	EUC1	a	3 4 5 7	400096	EUCAGROW6M	e9	3 4 6 7
400056	EUC1DP	c	3 4 5 7	400097	EUC3DDMCD	e6	3 4 5 7
400059	EUC3	b	3 4 5 7	400098	EUCA3DDMCD	a3	3 4 6 7
400061	EUC3DP	d	3 4 5 7	400116	FUCA3DD	v	3 4 6 7
400063	EUC1G	w	3 4 5 7	400120	NUC1DPP	a8	3 4 5 7
400064	EUC1DP60	i	3 4 5 7	400121	EUC1DDM60	b9	3 4 5 7
400065	EUC3DD	e	3 4 5 7	400122	NUC1DUK	b4	3 4 5 7
400066	ZUCADDROW	a1	3 4 6 7	400123	NUC1DDUK	b5	3 4 5 7
400067	ZUCADDROW60	a2	3 4 6 7	400127	KUC3	m	3 4 5 7
400068	EUCADD60	b1	3 4 6 7	400128	KUC3DP	n	3 4 5 7
400069	ZUC3DP	d6	3 4 5 7	400130	NUC1DDRUKP	b6	3 4 5 7
400070	ZUC3DD	d7	3 4 5 7	400131	NUCA1GRUK	b7	3 4 6 7
400073	EUC1G/2	c7	3 4 5 7	400132	NUC3DPP	c1	3 4 5 7
400074	EUCA1DDG	c8	3 4 6 7	400133	NUC1D	b2	3 4 5 7
400075	EUC1DP60	d1	3 4 5 7	400134	NUC1DD	b3	3 4 5 7
400076	ZUC1DP60	d2	3 4 5 7	400137	EUCA1DP	a5	3 4 6 7
400077	EUC1GMS	c9	3 4 5 7	400138	NUC1GMS	a6	3 4 5 7
400078	ZUC1G	d8	3 4 5 7	400139	EUC3DPCAG	a7	3 4 5 7
400079	ZUCA1DDG	f1	3 4 5 7	400140	NUC1	f	3 4 5 7

Pag./Page

3

4

5

6

7

8-16

Marchio/Brand:
Paese/Country:
Indice

Vista generale

Componenti idraulici

Circuito idraulico a pressione

Circuito idraulico atmosferico

Componenti elettrici

Lista ricambi

Z - A - E

Tutti/All

Index

Main view

Hydraulic components

Pressurized plumbing circuit

Atmospheric plumbing circuit

Electrical components

Spare parts list



LAVASTOVIGLIE SOTTOTAVOLO UNDERCOUNTER DISHWASHER

NUC/EUC/KUC/VUC/NUCA/ZUCA/FUCA/EUCA/VUCA

Code	Type	Ref.	Pagina/ Page
400141	NUC1DP	g	3 4 5 7
400144	NUC3	h	3 4 5 7
400146	NUC3DP	k	3 4 5 7
400149	NUC1DP60	q	3 4 5 7
400150	NUC1DPA	r	3 4 5 7
400151	ZUCA1	s	3 4 6 7
400152	ZUCA3	t	3 4 6 7
400153	EUCADDROW	a3	3 4 6 7
400154	EUCADDROW60	a4	3 4 6 7
400155	NUC1DPDD	b8	3 4 5 7
690028	NUC1G	x	3 4 5 7
698005	NUCA1DDG	z	3 4 6 7
698049	NUCA1DPDDG	a9	3 4 6 7

Pag./Page

3

4

5

6

7

8-16

Marchio/Brand:**Paese/Country:****Indice**

Vista generale

Componenti idraulici

Circuito idraulico a pressione

Circuito idraulico atmosferico

Componenti elettrici

Lista ricambi

Z - A - E

Tutti/All

Index

Main view

Hydraulic components

Pressurized plumbing circuit

Atmospheric plumbing circuit

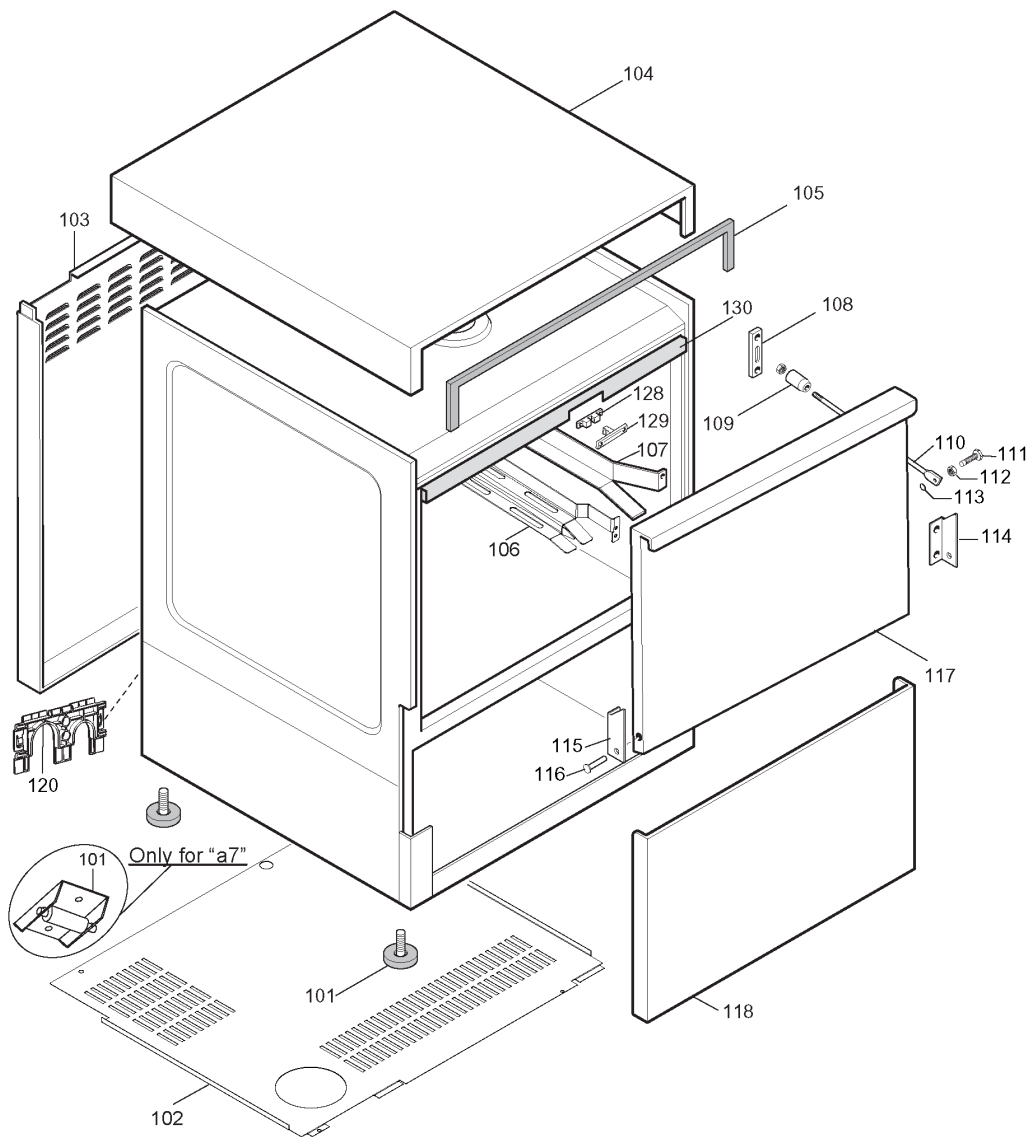
Electrical components

Spare parts list

Da Ser. Nr./ From Ser.nr.: 839...

Ed. 2019 - 09

Doc. Nr.: **595665K00**

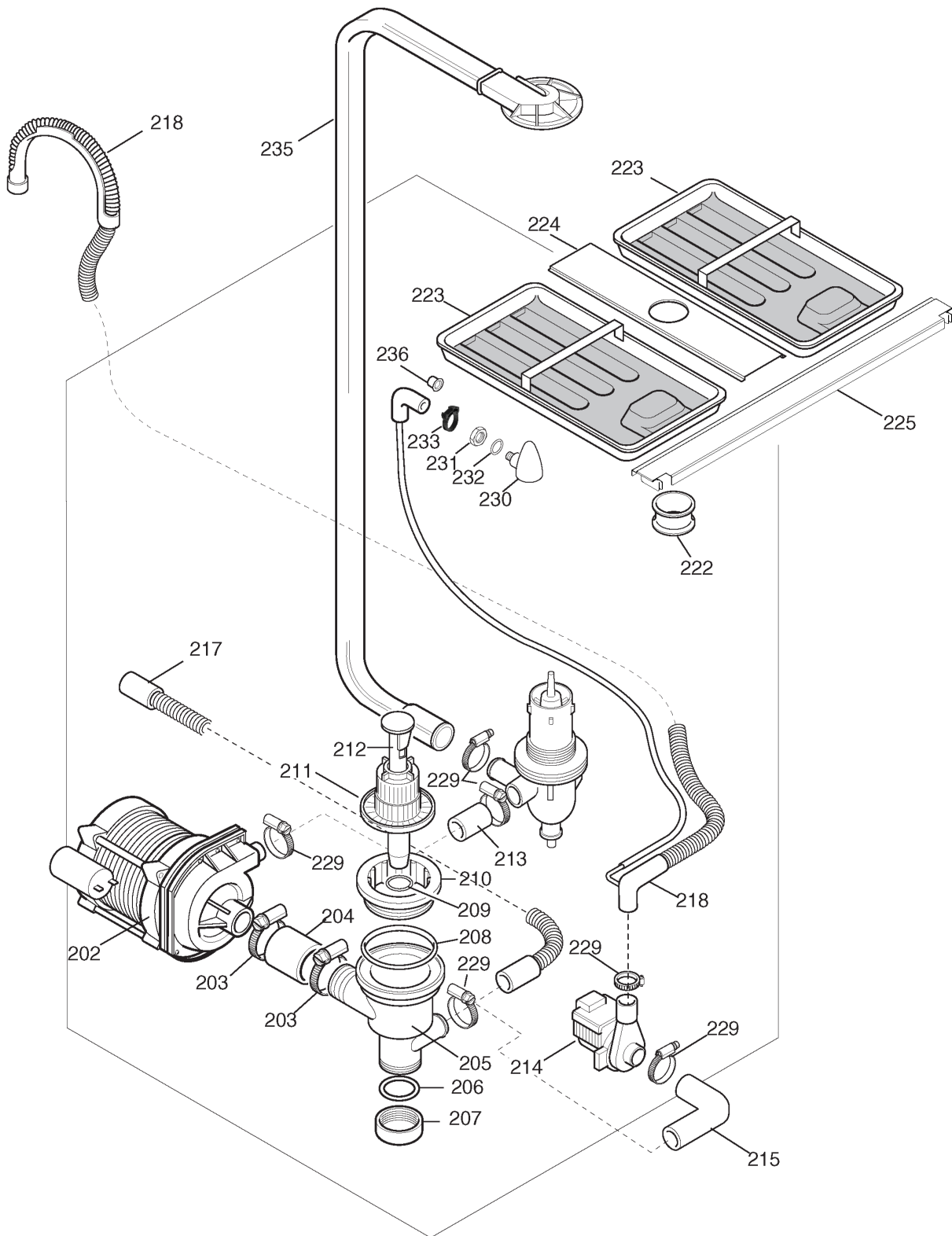


Vista generale / Main View

Da Ser. Nr./ From Ser.nr.: 839...	Page: 3	Ed. 2011 - 07	Doc. Nr.: 595665K00
-----------------------------------	---------	---------------	---------------------

??????	400141									
??????	595665K00	???????? 3	Main view							
.		Alias		S			.		(Rub)	
0101	049393			S				LEVELLING FOOT; Ø=30MM; H=31MM	128,70	
0102	0L2434							BOTTOM	Up to Ser. Nr.: 048 4 392,00	
0102	0TT903				D			BOTTOM; LS5	Up to Ser. Nr.: 047	
0103	0L1888							BACK PANEL; LS5 STANDARD	c2,c3,c4,o,c5,c6,d3,d4,d5,a,c, b,d,w,i,e,d6,d7,c7,c8,d1,d2,c9 ,d8,f1,d9,e1,e2,e3,e5,e4,e7,f2 ,e8,e9,e6,a3,a8,b9,b4,b5,m,n, b6,c1,b2,b3,a6,a7,f,g,h,k,q,r,b 8.x - Up to Ser. Nr.: 012	7 899,30
0103	0L1889		0L2567					BACK PANEL; LS5	c2,c3,c4,o,c5,c6,d3,d4,d5,a,c, b,d,w,i,e,a1,a2,b1,d6,d7,c7,c8 ,d1,d2,c9,d8,f1,d9,e1,e2,e3,e 5,e4,e7,f2,e8,e9,e6,a3,v,a8,b 9,b4,b5,m,n,b6,c1,b2,b3,a5,a 6,a7,f,g,h,k,q,r,s,t,a3,a4,b8,x - From Ser. Nr.: 013 Up to Ser. Nr.: 029	
0103	0L2567							BACK PANEL	c2,c3,c4,o,c5,c6,d3,d4,d5,a,c, b,d,w,i,e,a1,a2,b1,d6,d7,c7,c8 ,d1,d2,c9,d8,f1,d9,e1,e2,e3,e 5,e4,e7,f2,e8,e9,e6,a3,v,a8,b 9,b4,b5,m,n,b6,c1,b2,b3,a5,a 6,a7,f,g,h,k,q,r,s,t,a3,a4,b8,x - From Ser. Nr.: 030	9 351,90
0104	0L0122							COVER; ASSY	Up to Ser. Nr.: 012	16 581,6 0
0104	0L0257							COVER	From Ser. Nr.: 013	14 886,0 0
0105	046583			S		Kit		GASKET; 1PZ=5MT		879,30
0107	049272							SUPPORT	c2,c3,c4,o,c5,c6,d3,d4,d5,a,c, b,d,w,i,e,a1,a2,b1,d6,d7,c7,c8 ,d1,d2,d8,f1,e1,e2,e3,e5,e4,e 7,f2,e8,e9,e6,a3,v,a8,b9,b4,b 5,m,n,b6,b7,c1,b2,b3,a5,a7,f, g,h,k,q,s,t,a4,b8,x,z,a9 - Up to Ser. Nr.: 012	5 875,20
0107	049273							SUPPORT	c2,c3,c4,o,c5,c6,d3,d4,d5,a,c, b,d,w,i,e,a1,a2,b1,d6,d7,c7,c8 ,d1,d2,d8,f1,e1,e2,e3,e5,e4,e 7,f2,e8,e9,e6,a3,v,a8,b9,b4,b 5,m,n,b6,b7,c1,b2,b3,a5,a7,f, g,h,k,q,s,t,a4,b8,x,z,a9 - Up to Ser. Nr.: 012	3 069,90
0107	0L2252							BASKET SUPPORT; LEFT	c2,c3,c4,o,c5,c6,d3,d4,d5,a,c, b,d,w,i,e,a1,a2,b1,d6,d7,c7,c8 ,d1,d2,d8,f1,e1,e2,e3,e5,e4,e 7,f2,e8,e9,e6,a3,v,a8,b9,b4,b 5,m,n,b6,b7,c1,b2,b3,a5,a7,f, g,h,k,q,s,t,a4,b8,x,z,a9 - From Ser. Nr.: 013	1 925,10
0107	0L2254							BASKET SUPPORT; RIGHT	c2,c3,c4,o,c5,c6,d3,d4,d5,a,c, b,d,w,i,e,a1,a2,b1,d6,d7,c7,c8 ,d1,d2,d8,f1,e1,e2,e3,e5,e4,e 7,f2,e8,e9,e6,a3,v,a8,b9,b4,b 5,m,n,b6,b7,c1,b2,b3,a5,a7,f, g,h,k,q,s,t,a4,b8,x,z,a9 - From Ser. Nr.: 013	1 925,10
0108	049285			S				PLAQUE		195,30
0109	049286			S				SHOCK ABSORBER		171,00
0110	049282			S				TIE ROD		1 672,20
0111	049283			S				PIN; FOR DOOR TIE ROD		652,50
0112	049372			S				NUT		102,60
0113	049284			S		+		RING		102,60

??????	400141									
??????	595665K00		???????? 3				Main view			
.		Alias		S			.			(Rub)
0114	049279			S				HINGE	Up to Ser. Nr.: 012	2 084,40
0114	0L2253			S				RIGHT HINGE	From Ser. Nr.: 013	697,50
0115	049280			S				HINGE	Up to Ser. Nr.: 012	1 957,50
0115	0L2251			S				LEFT HINGE	From Ser. Nr.: 013	697,50
0116	049281			S				PIN	Up to Ser. Nr.: 012	1 784,70
0116	0L2255			S				HINGE PIN	From Ser. Nr.: 013	412,20
0117	049951		0L2068		D			DOOR	Up to Ser. Nr.: 920	
0117	0L2068			S				DOOR; ASSY	From Ser. Nr.: 921	22 167,90
0118	0L1649	0L1649	0L2568					FRONT PANEL; LS5	Up to Ser. Nr.: 029	
0118	0L2568	0L2568		S				FRONT PANEL	From Ser. Nr.: 030	5 798,70
0120	0L0112							COVERING		412,20
0128	049271			S				LATCH		5 508,90
0129	049536			S				CATCH		2 516,40
0130	0L0021			S				GASKET; L=592MM		502,20



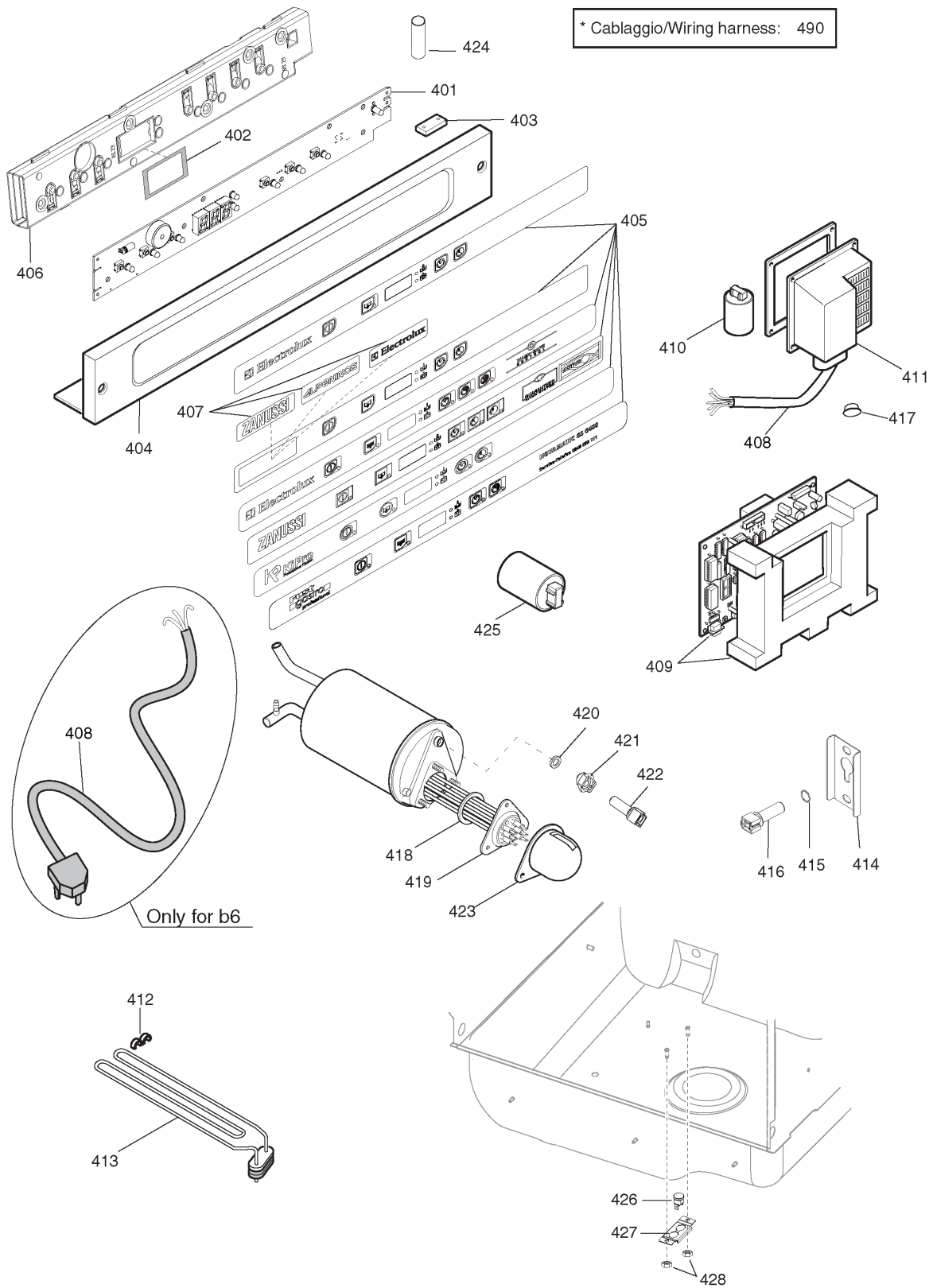
Componenti idraulici / Hydraulic components

Doc. Nr.: 595665K00	Ed. 2014 - 12	Page: 4	Da Ser. Nr./ From Ser.nr.: 839...
----------------------------	---------------	---------	-----------------------------------

??????	400141									
??????	595665K00	???????? 4	Hydraulic components							
.	Alias		S		.					(Rub)
0202	0L0126		S	A			WASH PUMP; ZF340SX; 230V 1PH; 50HZ	c2,c3,c4,o,c5,c6,d3,d4,d5,a,c,b,d,w,e,a1,d6,d7,c7,c8,d1,d2,c9,d8,f1,d9,e1,e2,e3,e5,e4,e7,f2,e8,e9,e6,a3,v,a8,b9,b4,b5,m,n,b6,b7,c1,b2,b3,a5,a6,a7,f,g,h,k,r,s,t,a3,b8,x,z,a9 - 50Hz	21 838,50	
0203	0L0193		S				CLMAP; 40-60/9			198,90
0204	0L1374		S				PUMP SUCTION PIPE; LS5 LS6			792,90
0205	048325	0L1629				+	DRAIN MANIFOLD			
0206	049828		S			+	O-RING; ØI=50MM; ØE=59,5MM			163,80
0207	046596		S			+	PLUG; FOR MANIFOLD			279,90
0208	049894		S			+	O-RING; ØI=110X4 MM			202,50
0209	046799		S			+	O-RING; FOR OVERFLOW PIPE			102,60
0210	048326		S			+	RING NUT; FOR MANIFOLD			620,10
0211	048324		S			+	PUMP SUCTION FILTER			1 087,20
0212	048842		S			+	OVERFLOW PIPE	c,d,e,g,n,o,k,r,i,q,w,x,v,z,a1,a2,a3,a4,a5,a6,a7,a8,a9,b1,b3,b5,b6,b7,b8,c1,c3,c5,c6,c7,c8,c9,d1,d2,d4,d6,d7,d8,d9,e1,e3,e4,e5,e6,e8,e9	840,60	
0213	0L0259		S				JUNCTION			433,80
0214	0L0994	0L0692		A		+	CGX201 2-02 DRAIN PUMP; 220V 50 HZ; ASKOLL TIPO SC	c,d,e,g,n,o,k,r,w,x,v,z,a1,a3,a5,a6,a7,a8,a9,b3,b5,b6,b7,b8 - Up to Ser. Nr.: 144 - 50hz		
0214	0L2133	0L2657		A		+	CGX201 2-02 DRAIN PUMP; TYPE DPO25 200/240V 50/60HZ	c,d,e,g,n,o,k,r,w,x,v,z,a1,a3,a5,a6,a7,a8,a9,b3,b5,b6,b7,b8,c1,c3,c5,c6,c7,c8,c9,d4,d6,d7,d8,d9,e3,e4,e5,e6,e8 - From Ser. Nr.: 145 - 50hz		
0215	049877		S				SLEEVE	c,d,e,f,g,k,i,n,o,q,r,w,v,x,z,a1,a2,a3,a4,a5,a6,a7,a8,a9,b1,b2,b3,b4,b5,b6,b7,b8,c1,c2,c3,c5,c6,c7,c8,c9,d1,d2,d3,d4,d6,d7,d8,d9,e1,e3,e4,e5,e6,e7,e8,e9	1 197,90	
0218	049878		S				HOSE	c,d,e,g,n,o,k,i,q,r,w,x,v,z,a1,a2,a3,a4,a5,a6,a7,a8,a9,b1,b3,b5,b6,b7,b8,c1,c3,c5,c6,c7,c8,c9,d1,d2,d4,d6,d7,d8,d9,e3,e4,e5,e6,e8,e9	1 845,00	
0229	046878		S			+	HOSE CLAMP; 35-50/9			193,50
0230	048853		S			+	AIR CHAMBER			409,50
0231	049268		S			+	HEX NUT; M14X1,5			181,80
0232	068642		S			+	O-RING; ØI=15,54X2,62			102,60
0233	046946		S			+	CLAMP; 8-12/7,5	Up to Ser: 2014-49		224,10
0233	0L3522						PLASTIC CLAMP WITH RATCHET	Up to Ser: 2014-50		242,10
0235	0L0125		S				SUPPORTING TUBE FOR UPPER JETS			3 527,10
0236	049849		S				STOPPER			102,60

??????	400141								
??????	595665K00	???????? 5	Pressurized plumbing circuit						
.		Alias		S		.			(Rub)
0301	048834			S				STRAINER	1 393,20
0302	0L1945			S		Kit		GASKET; SET 50PCS; DIA.26,5MM	1 656,90
0304	0L1887			S				FEEDING HOSE; 2000MM	1 382,40
0305	048817		0L3440					SOLENOID VALVE; 220-240V 50HZ; 319P5	
0306	048126			S		+		CLIP; 13-20	160,20
0307	048531			S		+		RUBBER HOSE; ØI=12MM;ØE=19,5MM;BY METER	928,80
0309	0L1892			S		+		NONRETURN VALVE; HIGH TEMPERATURE	1 761,30
0310	0L0352			S	A			BOILER	From Ser. Nr.: 921 18 576,90
0310	0L1890		0L0352					BOILER; LS5	Up to Ser. Nr.: 920
0312	048195			S				3-WAY FITTING; 2XØ=12MM E 1XØ=8,6MM	653,40
0313	049290			S				SUPPORT	5 403,60
0314	048236			S		+		GASKET	372,60
0315	048330			S		+		RING NUT	534,60
0316	048820			S		+		SHUTTER	474,30
0317	048979			S		+		SNAP RING	143,10
0318	046878			S		+		HOSE CLAMP; 35-50/9	193,50
0319	0L0125			S				SUPPORTING TUBE FOR UPPER JETS	3 527,10
0320	0L0110			S				GASKET; ØI=88MM; ØE=120MM; H=1MM	855,90
0321	048824			S				RING NUT	351,90
0322	047473			S		+		O-RING; ØI=14MM; ØE= 17,56MM	102,60
0323	049292			S				PIN	2 064,60
0324	049293			S		+		HUB; FOR WASH ARMS	2 061,00
0325	047282			S		+		WASHER	822,60
0326	049294			S		+		WASHER PROTECTION	366,30
0327	049295			S		+		WASHING JET	1 381,50
0328	049296			S	A	+		CAP; FOR WASH ARM	248,40
0329	049297			S		+		RINSE JET	1 219,50
0330	049298			S		+		RINSE JET	1 219,50
0331	049299			S		+		CAP; RINSE ARM	409,50
0336	048883							RUBBER HOSE; 5X12; 1PZ=2300MM	1 232,10
0337	046946			S		+		CLAMP; 8-12/7,5	224,10
0339	049881					CGX200 4-07		PRESSURE SWITCH;TYPE 760;CALIB.=60/20-11	1 903,50
0340	048308			S		+		AIR TRAP; FOR PRESSURE GAUGE	452,70
0341	049904					CGX200 8-16		PRESSURE SWITCH HOSE; L=60CM	528,30
0342	068642			S		+		O-RING; ØI=15,54X2,62	102,60

??????	400141									
??????	595665K00	???????? 5					Pressurized plumbing circuit			
.		Alias		S			.		(Rub)	
0343	049268			S		+		HEX NUT; M14X1,5	181,80	
0344	0L3182		0L4295					RINSE AID DISPENSER	f,g,h,k,m,n,o,q,x,a6,a7,a8,b2,b4,b5,b6,c1,c2,c3,c4,c5,c6,c7,c9,d1,d2,d3,d4,d5,d6,d7,d8,d9, e6,e7,f2 - From Ser. nr. 348 up to 7401	
0344	0L4295			S				RINSE AID DISPENSER	f,g,h,k,m,n,o,q,x,a7,a8,b6,b8,b9,c1,c2,c3,c4,c5,c6,c7,c9,d1,d2,d3,d4,d5,d6, d7,d8,d9,e1,e2,e3,e4,e6,e7,f2 - From Ser. nr. 7411	6 741,90
0345	0L2394							FEEDER HOSE	Rinse booster pump kit	2 632,50
0346	0L2389							FEEDER HOSE	Rinse booster pump kit	2 785,50
0347	0L2391			S	A			RINSE PUMP; PS45	Rinse booster pump kit	21 726,90
0348	049126				A			CAPACITOR; 8MF	8 µF - Rinse booster pump kit	1 575,00
0349	0L2392				D			EL. CABLE; FOR GROUND	Rinse booster pump kit	334,80
0350	0L2390							RINSE PUMP; ASSY	(pos. 347 + pos. 349 + pos. 350) Rinse booster pump kit	23 754,60
0350	0L2393							RUBBER HOLDER; 3/8"; MALE	Rinse booster pump kit	1 696,50
0357	047986		0Q0014			+		GASKET		



Componenti elettrici / Electrical components

Da Ser. Nr./ From Ser.nr.: 839...	Page: 7	Ed. 2017 - 07	Doc. Nr.: 595665K00
-----------------------------------	---------	---------------	---------------------

??????	400141									
??????	595665K00	???????? 7					Electrical components			
.		Alias		S			.			(Rub)
0401	0L3875		0L4473	S	A			USER INTERFACE BOARD	Up to Ser. Nr.: 2019/10	10 696,50
0401	0L4473			S				USER INTERFACE BOARD; UC/FL/GW-ELT	From Ser. Nr. : 2019/11	11 700,00
0402	0L1943			S				GASKET		100,80
0403	0L1871			S	A	Kit		REED SWITCHCT; KIT		2 003,40
0404	0L1667							CONTROL PANEL	c2,c3,c4,o,c5,c6,d3,d4,d5,a,c,b,d,w,i,e,d6,d7,c7,c8,d1,d2,c9,d8,f1,d9,e1,e2,e3,e5,e4,e7,f2,e6,a3,v,a8,b9,b4,b5,m,n,b6,b7,c1,b2,b3,a6,a7,f,g,h,k,q,r,b8,x,z,a9	4 577,40
0405	0L1663			S				ADHESIVE MEMBRANE; LS5	f,g,h,o,k,q,r,x,z,a6,a8,a9,b2,b3, b4,b5,b7,c1b6,b7,b8 - up to 7431	1 741,50
0406	0L1567				D			COVERING; LS5-6		1 221,30
0407	000000	54864AK00								
0407	0L1664				D			ADHESIVE NAME PLATE; LS5/LS6		
0407	0L1665							ADHESIVE; LS5/LS6		
0408	0L2055				D			SUPPLY CABLE; 3X2.5 L=1600	a,c,f,g,i,q,w,x,a6,a8,b2,b3,b4,b5,b6,b8, c2,c3,c7,c9,d1,d2,d3,d4,d8,e1,e4,e7	2 144,70
0409	0L2582			S	A			PCB; DIWAP10; 50/60HZ	f,g,h,k,m,n,o,q,x,a6,a7,a8,b2,b3,b4,b5,b6,b8,b9,c1,c2,c3,c4,c5,c6,c7,c9,d1,d2,d3,d4,d5,d6,d7,d8,d9,e1,e2,e3,e4,e6,e7,f2	20 529,00
0410	049977		092257					FILTER	a,c,f,g,i,q,s,w,x,a5,a6,a8,b2,b3,b4,b5,b6,b8,c2,c3,d3,d4 - Up to Ser. Nr.: 235	
0411	0L0127			S				JUNCTION BOX	a,c,f,g,i,q,r,w,x,s,a5,a6,a8,b2,b3,b4,b5, b6,b8,c2,c3,c7,c9,d1,d2,d3,d4,d8,e1,e4,e7	3 222,00
0412	048429			S				BRACKET		205,20
0413	049954		0L2109					TANK HEATING ELEMENT	Up to Ser. Nr.: 946	
0413	0L2109			S	A			TANK HEATING ELEMENT; 230V-2000W	c2,c3,c4,o,c5,c6,d3,d4,d5,a,c,b,d,w,i,e,d6,d7,c7,c8,d1,d2,c9,d8,f1,d9,e1,e2,e3,e5,e4,e7,f2,e6,a3,v,a8,b9,b4,b5,m,n,b6,b7,c1,b2,b3,a5,a6,a7,f,g,h,k,q,r,s,t,b8,x,z,a9 - From Ser. Nr.: 947	3 239,10
0414	0L0366			S				SUPPORT		344,70
0415	0L2303			S		+		O-RING; DIA.9,25X1,78		100,80
0416	049643			S		+		TEMPERATURE PROBE		968,40
0418	0L2765			S		+		O-RING; 5,34X47,00MM; SILICON		190,80
0419	049980			S	A			HEATING ELEMENT; 230V 2800W	a,c,f,g,i,q,r,s,a5,a8,b2,b3,b5,b6,b8,c2,c3d1,d2,d3,d4,d9,e1,e7	4 812,30
0420	0L2303			S		+		O-RING; DIA.9,25X1,78		100,80
0421	0L0280			S	A	+		STUFFING BOX		1 152,00
0422	049643			S		+		TEMPERATURE PROBE		968,40
0423	065560			S		+		CAP; FOR BOILER HEATING ELEMENT		177,30
0424	000000									

??????	400141								
??????	595665K00	???????? 7	Electrical components						
.		Alias		S			.		(Rub)
0426	0L2895			S				SAFETY THERMOSTAT; 105°C	800,10
0427	0L2894							BRACKET	538,20
0428	0C8219			S		+		NUT	100,80
0490	0L2485			S				WIRING HARNESS	15 452,10
								a,c,f,g,i,q,r,w,x,s,a5,a6,a8,b2,b3,b4,b5, b6,b8,c2,c3,c7,c9,d1,d2,d3,d4,d8,e1,e4,e7	