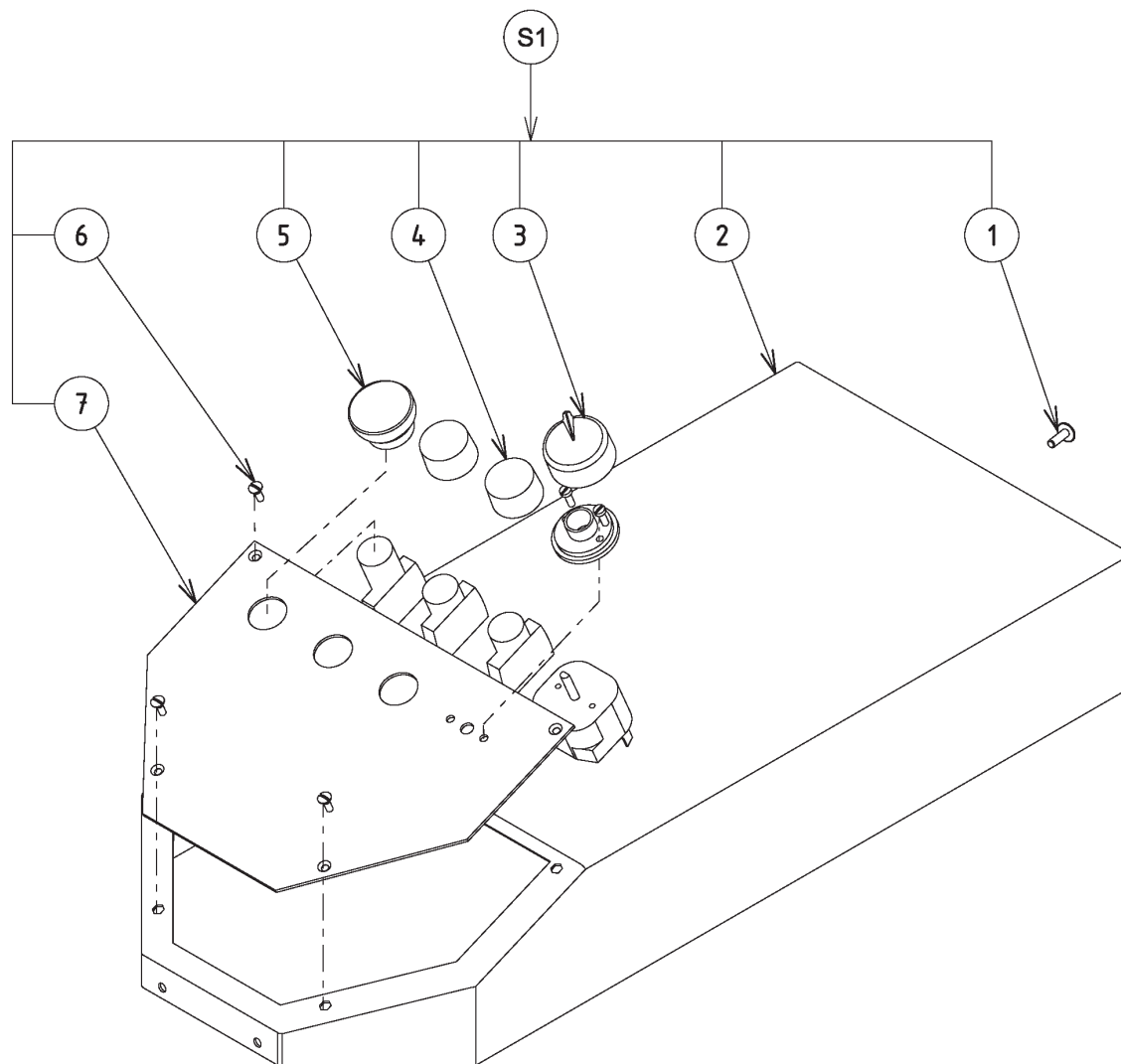
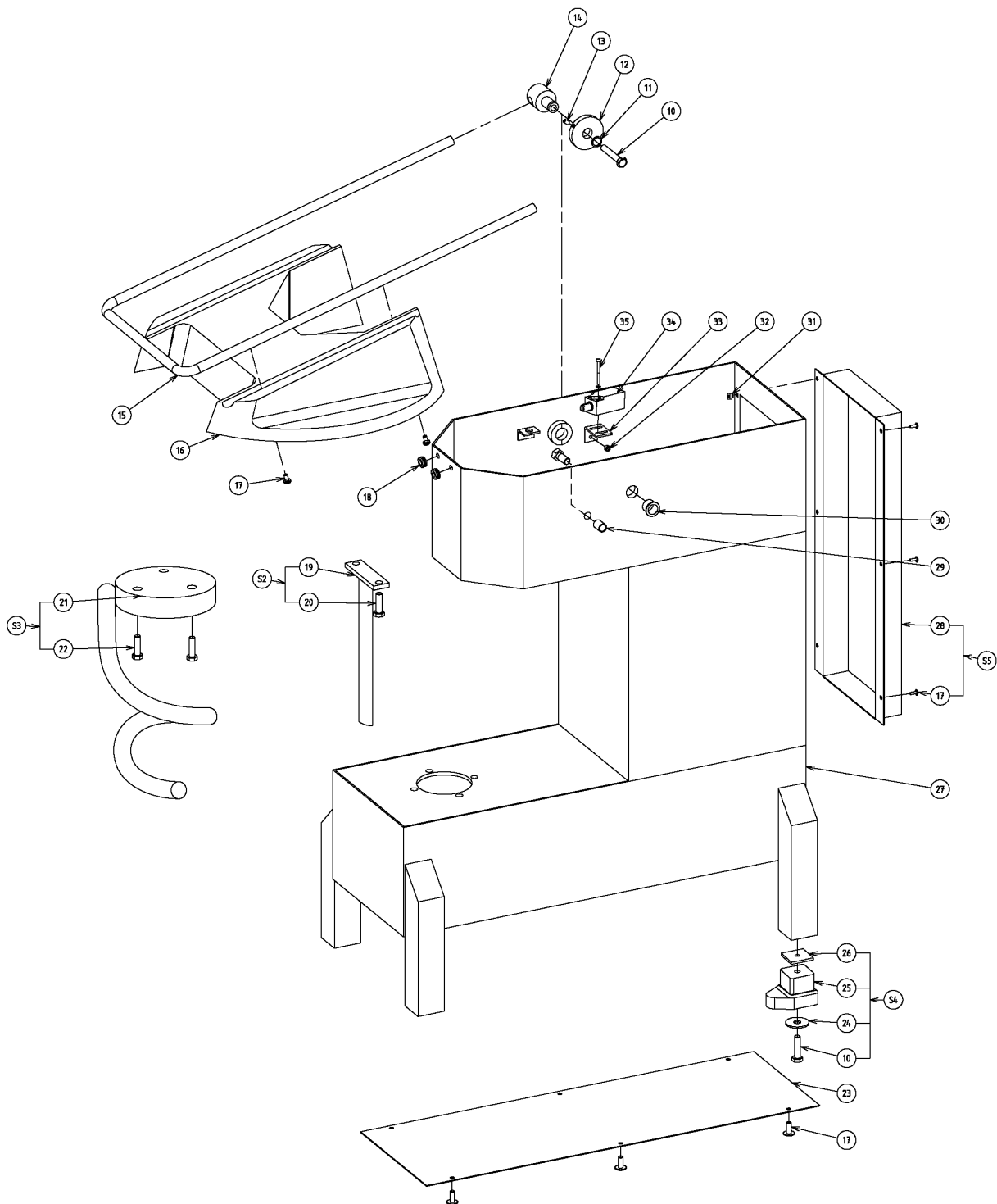


**Vue éclatée capot / Exploded view - Cover /
Explosionszeichnung - Abdeckung / Esploso - Coperchio /
Despiece - Cubierta**



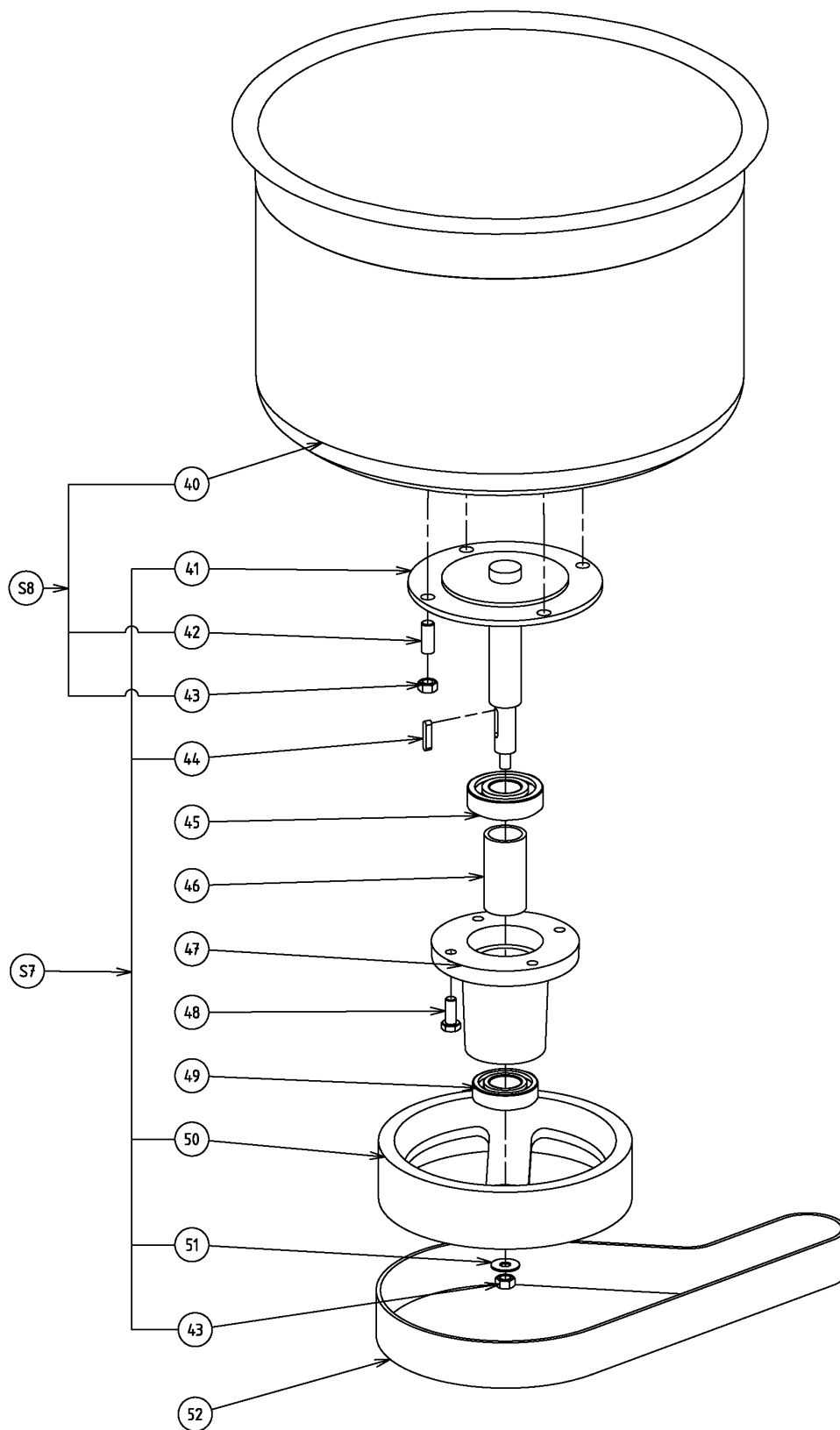
??????	601256								
??????	SPPSF50	???????? 2					Exploded view - Cover		
.		Alias		S			.		(Euro)
0001	0D0607							SCREW; 10 PCS	19,54
0002	000000							See S1	
0003	0D0610							K35 SCREW TC 4X8	18,58
0003	0D1611			S				KNOB; POTENTIOMETER	3,59
0003	0D3298			S				BUTTON CLADDING UNIVERSEL	5,04
0003	0KQ310							TIMER	58,97
0003	0KQ677			S				TIMER GASKET	1,68
0004	0D0363		0KQ647					K25 PULSE PUSH BUTTON	
0005	0D0364							K25 OFF PUSH BUTTON	23,45
0006	0D0497			S				SCREW; 10 PCS	18,58
0007	0D6403				D			SUPPORT; TABLEAU BORD PSF50	90,34
0007	0D6404				D			PLAQUE; TABLEAU BORD PSF50	174,60
0007	0D6405				D			PLAQUE; TABLEAU BORD PSF10	
00S1	0D1096				D			CAPOT NU PSF50	
00S1	0D3070				D			WIRING KIT 3 400 CONTROL 24V PSF50	1 352,00

Vue éclatée Bati-Ecran-Outil / Exploded view - Frame - Screen-Tool / Explosionszeichnung - Gestell - Kranz - Werkzeug



??????	601256								
??????	SPPSF50	???????? 4				Exploded view - Frame - Screen- Tool			
.		Alias		S		.			(Euro)
0010	0D0598				D		SCREW; 10 PCS		21,62
0011	0D2244						CIRCLIPS 18E SET X10		21,42
0012	0D6406				D		CAM; EQ PSF50		79,37
0013	0D3495				D		SCREW SHC PTU M6X12 STLESS STL (SET X10)		21,92
0014	0D6407				D		AXIS; ECRAN PSF50		52,58
0015	0D6408				D		ARM; ECRAN BILLE PSF50		322,80
0016	0D6409						ECRAN EMBALLE; PSF50		173,60
0017	0D0601						SCREW; 10 PCS		22,43
0018	0D3410						GROMMET 7X10X1.4 XBE5 SET X4		35,63
0019	000000							See S2	
0020	0D0596						SCREW H10X35		22,43
0021	000000							See S3	
0022	0D5722				D		SCREW; H M10X55 INOX (JEU X10)		35,53
0023	0D6410				D		BOTTOM; PSF50		48,72
0024	0KQ506						WASHER; 10 PCS		20,27
0025	0U0566						RUBBER FOOT(2") 1&5/8"FITTING		12,04
0026	0D0541						NUT; 10 PCS		59,07
0027	0D6411				D		BASEMENT; NU EMBALLE PSF50		1 838,00
0028	000000							See S5	
0029	0D0069				D		PSR50 PLASTIC STOP		23,85
0029	0D0600				D		SCREW H 12X20; 5 PCS		24,06
0030	0HD005						BUSHING		6,86
0031	0D0640				D		NUT; 10 PCS		22,43
0032	0D0500				D		M5 NUT		19,22
0032	0D0625						WASHER; 10 PCS		18,90
0033	0D6413				D		SUPPORT; RUPTEUR PSF50		18,90
0034	0KQ206						SWITCH		62,22
0035	0D0631				S		WASHER; SET 10PCS		5,38
0035	0D3399						SCREW CHC M4X40 STLESS STL SET X10		22,03
0035	0KL159						NUT; 10 PCS		18,37
00S2	0D6355						BAR; PETRISSAGE EQ PSF50		154,30
00S3	0D0837				D		PSF50 TOOL		1 406,00
00S4	0KQ431				S		FOOT ASSEMBLY BM20		38,37
00S5	0D6412				D		BOTTOM PLATE; EQ PSF50		144,10

**Vue éclatée Cuve-Palier de cuve / Exploded view - Bowl -
Bowl Bearing / Explosionszeichnung - Kessel - Kessellager
/ Esploso - Vaschetta - Arresto Vaschetta / Despiece - Cuba
- Cojinete de cuba**

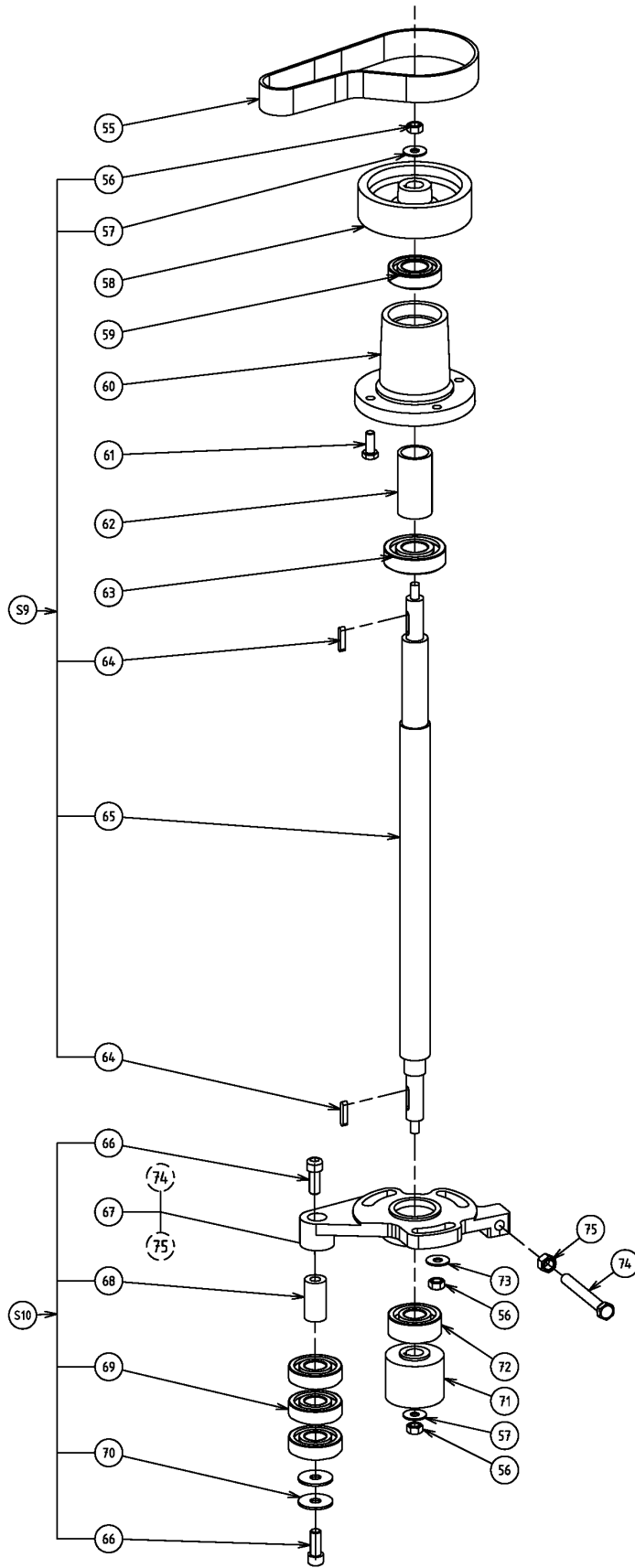


H

PSF60 FR 02 08

??????	601256								
??????	SPPSF50	???????? 8	Exploded view - Bowl - Bowl Bearing						
.		Alias		S			.		(Euro)
0040	000000							See S8	
0041	000000							See S7	
0042	000000							See S8	
0043	0U0651						SELF-LOCK NUT; M10, 10 PCS		19,54
0044	0D0644				D		SCREW; 10 PCS		20,27
0044	0D2336				D		COTTERPIN A8X7X40 PSR50 SET X5		23,55
0045	0KQ358						BEARING		13,45
0046	0D5838						SPACER; PSF50		23,95
0047	0D0848						PSF50 BUSH		201,00
0048	0D6064				D				25,78
0049	0D0006			S			BEARING		9,98
0050	0D5145				D		PULLEY		240,60
0051	0D6070								78,36
0052	0D1438						COURROIE POLY V 1168 J18		37,25
00S7	0D0888						PSF50 SHAFT BOWL + PULLEY		526,00
00S8	0D0838						PSF50 BOWL		1 058,00

Vue éclatée Transmission / Exploded view - Transmission / Explosionszeichnung - Getriebe / Esploso - Trasmissione / Despiece - Transmision



J

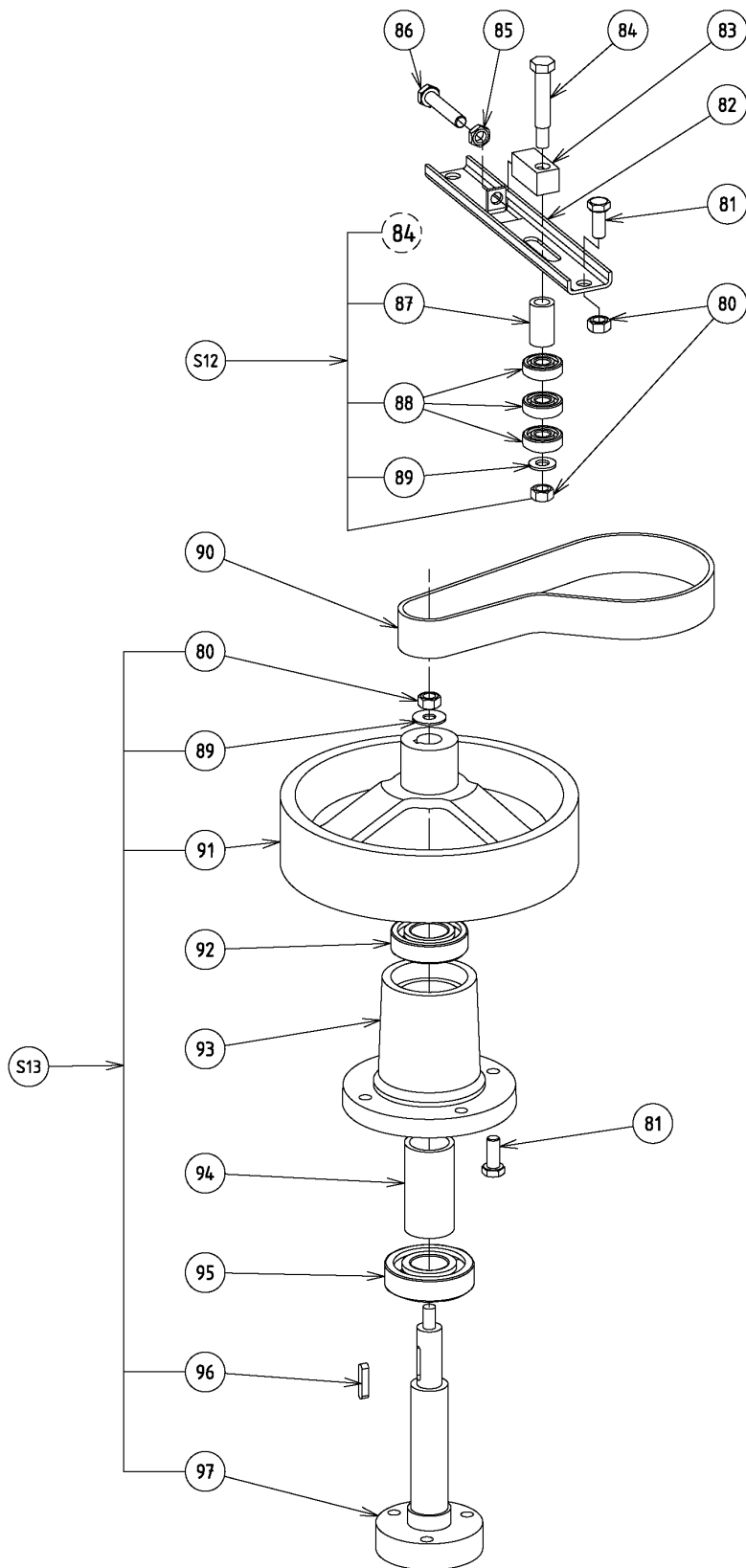
PSF50 FR 02 08

?????? 601256

?????? SPPSF50 ???????? 10 Exploded view - Transmission

.		Alias		S		.		(Euro)
0055	0D0811						COURROIE POLY V 660 J14	21,52
0056	0U0651						SELF-LOCK NUT; M10, 10 PCS	19,54
0057	0D6070							78,36
0058	0D1678			D			PULLEY	143,10
0059	0D0006			S			BEARING	9,98
0060	0D0848						PSF50 BUSH	201,00
0061	0D6064			D				25,78
0062	0D5838						SPACER; PSF50	23,95
0063	0KQ358						BEARING	13,45
0064	0KQ486			D			KEY; 10 PCS, 6X6X30 MM	27,20
0065	000000						See S9	
0066	0D0518			D			SCREW; 10 PCS	25,88
0067	0D6414			D			THRUST BEARING; TENDEUR EQ PSF50	242,60
0068	000000						See S10	
0069	0KJ748			S			BALL BEARING; 6305 2RS	10,85
0070	0D5484						WASHER; LL 12 ACZN (JEU X10)	22,43
0071	0D2499			D			PULLEY D68 PSF50	132,00
0072	0D1679						BEARING	60,90
0073	0KQ506						WASHER; 10 PCS	20,27
0074	0D6415			D			SCREW; H M12X100 ACZN (JEU X10)	40,19
0075	0KQ554			D			NUT; 10 PCS	21,01
00S9	0D6199			D				136,00
0S10	0D3477			D			BOWL TENSIONER ROLLER ASSY PSF50	109,60

Vue éclatée Palier outil-Tendeur / Exploded view - Tool Bearing-Tensioner / Explosionszeichnung - Lager Werkzeug-Spanner / Esploso - Arresto Utensile - Tenditore / Despiece - Cojinete Accesorio - Tensor

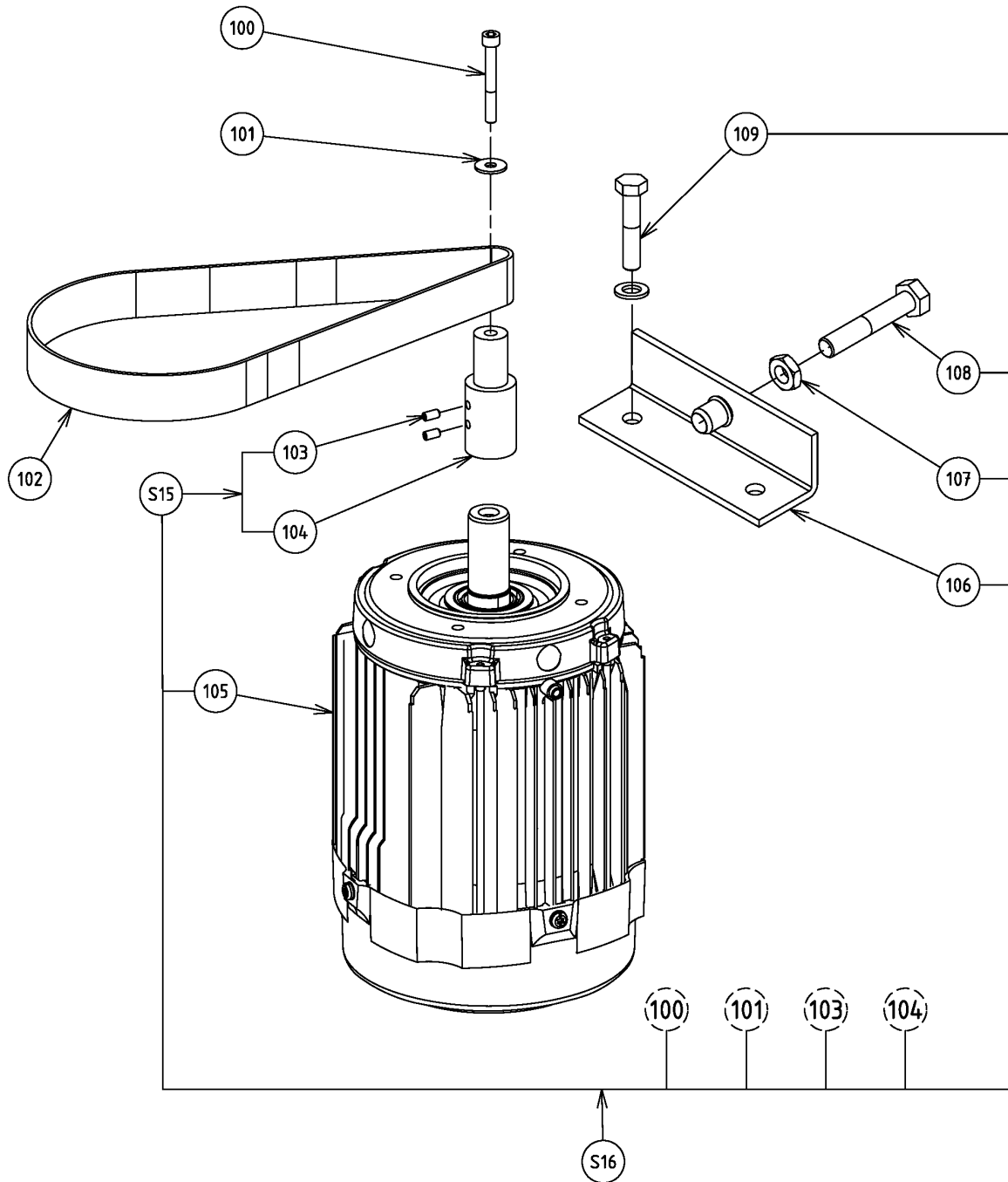


L

PSF60 FR 02 08

??????	601256								
??????	SPPSF50	???????? 12	Exploded view - Tool Bearing-Tensioner						
.		Alias		S			.		(Euro)
0080	0U0651							SELF-LOCK NUT; M10, 10 PCS	19,54
0081	0D6064				D				25,78
0082	0D6416				D			CROSSBAR; PSF50	42,12
0083	0D6417				D			SUPPORT; GALET PSF50	70,54
0084	000000							See S12	
0085	0D0581							NUT; 10 PCS	20,27
0086	0D7408							SCREW; SET 10PZ; M10X70	15,40
0087	000000							See S12	
0088	0KQ350							BEARING 6005 EE	7,06
0089	0D6070								78,36
0090	0D0811							COURROIE POLY V 660 J14	21,52
0091	0D3420				D			STAGED PULLEY ASSY PSF50	201,00
0092	0D0006			S				BEARING	9,98
0093	0D0848							PSF50 BUSH	201,00
0094	0D5838							SPACER; PSF50	23,95
0095	0KQ358							BEARING	13,45
0096	0D2336				D			COTTERPIN A8X7X40 PSR50 SET X5	23,55
0097	000000							See S13	
0S12	0D3476				D			HEAD TENSIONER ROLLER ASSY PSF50	203,00
0S13	0D2603							TOOL SHAFT +PULLEY KIT PSF50	440,50

**Vue éclatée Moteur / Exploded view - Motor / Explosions-
zeichnung - Motor / Esploso - Motore / Despiece - Motor**



N

PSF50 FR 02 08

??????	601256								
??????	SPPSF50	???????? 14	Exploded view - Motor						
.		Alias		S			.		(Euro)
0100	0D2728							SCREW CHC M10X80 STL80 KZN (SET X10)	28,83
0101	0KQ506							WASHER; 10 PCS	20,27
0102	0D1438							COURROIE POLY V 1168 J18	37,25
0103	0KQ493							GRUB SCREW FOR DRIVE EXT T15; 10 PCS	21,01
0104	000000							See S15	
0105	000000							See S16	
0106	000000							See S16	
0107	0D0581							NUT; 10 PCS	20,27
0108	0D5722			D				SCREW; H M10X55 INOX (JEU X10)	35,53
0109	0D2329			D				SCREW H M8X30 SET X10	23,24
0109	0D3538			D				WASHER CS L8 GALVA STL8B (SET X10)	20,40
0S15	0D3419			D				DRIVE PULLEY ASSY PSF50	84,45
0S16	0D0882			D				MOTOR EQUIPPED PSF50	599,00
0S16	0D7642							MOTOR; 230V 50HZ; PSF50	1 862,00