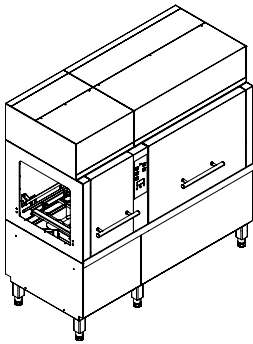
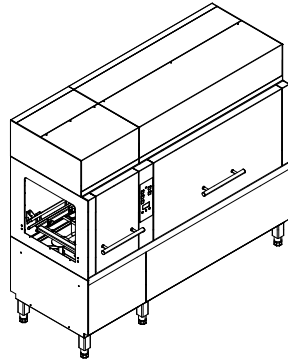
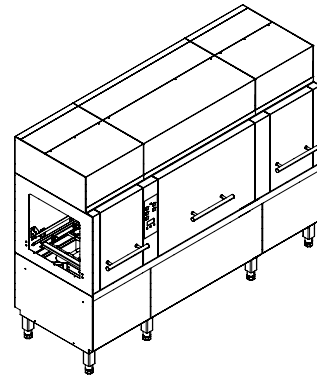
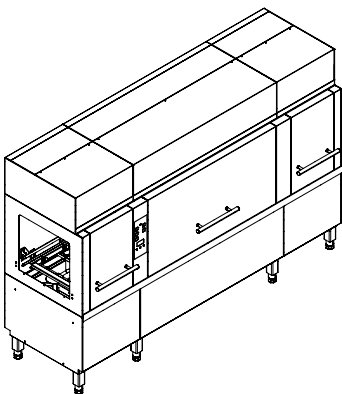
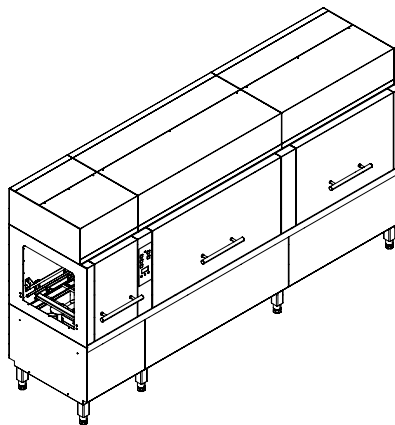
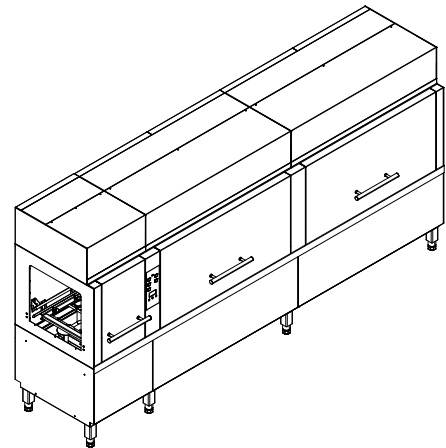


Lavastoviglie a cesto trascinato modulari Modular Rack Type dishwasher

**RTM140/WTM140****RTM165/WTM165****RTM180/WTM180****RTM200/WTM200****WTM250****WTM300**

Marchio/Brand: **E**
Paese/Country: **Tutti/All**

Da Ser.Nr./From Ser.nr.: 544

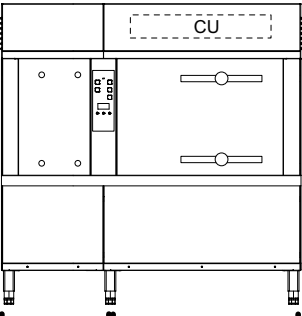
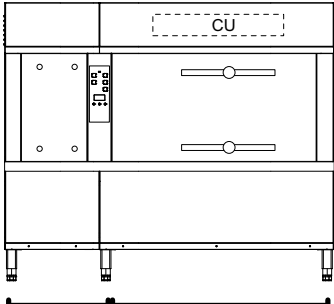
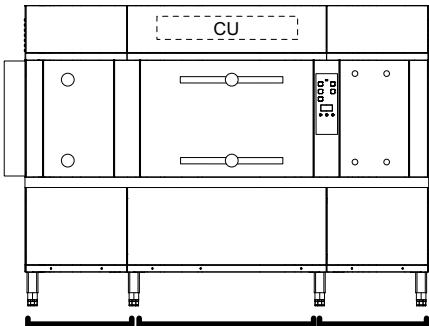
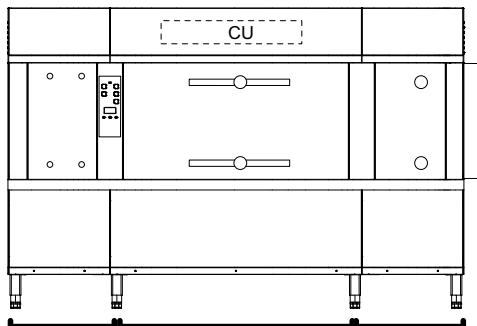
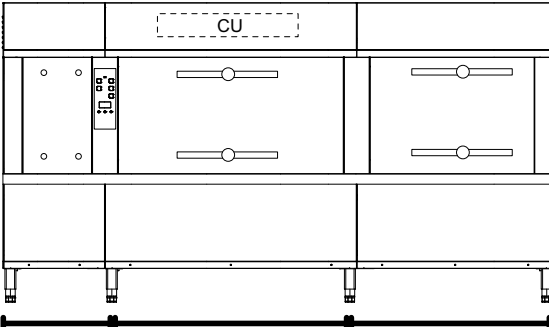
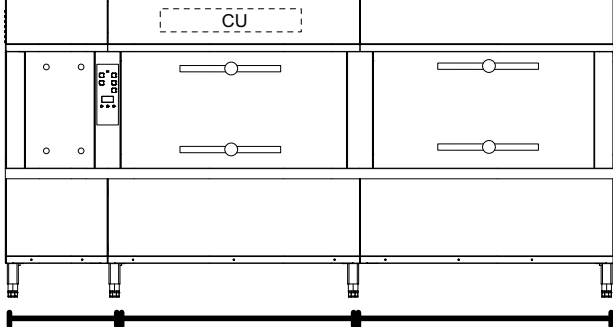
Page: 1 Ed. 2016-02

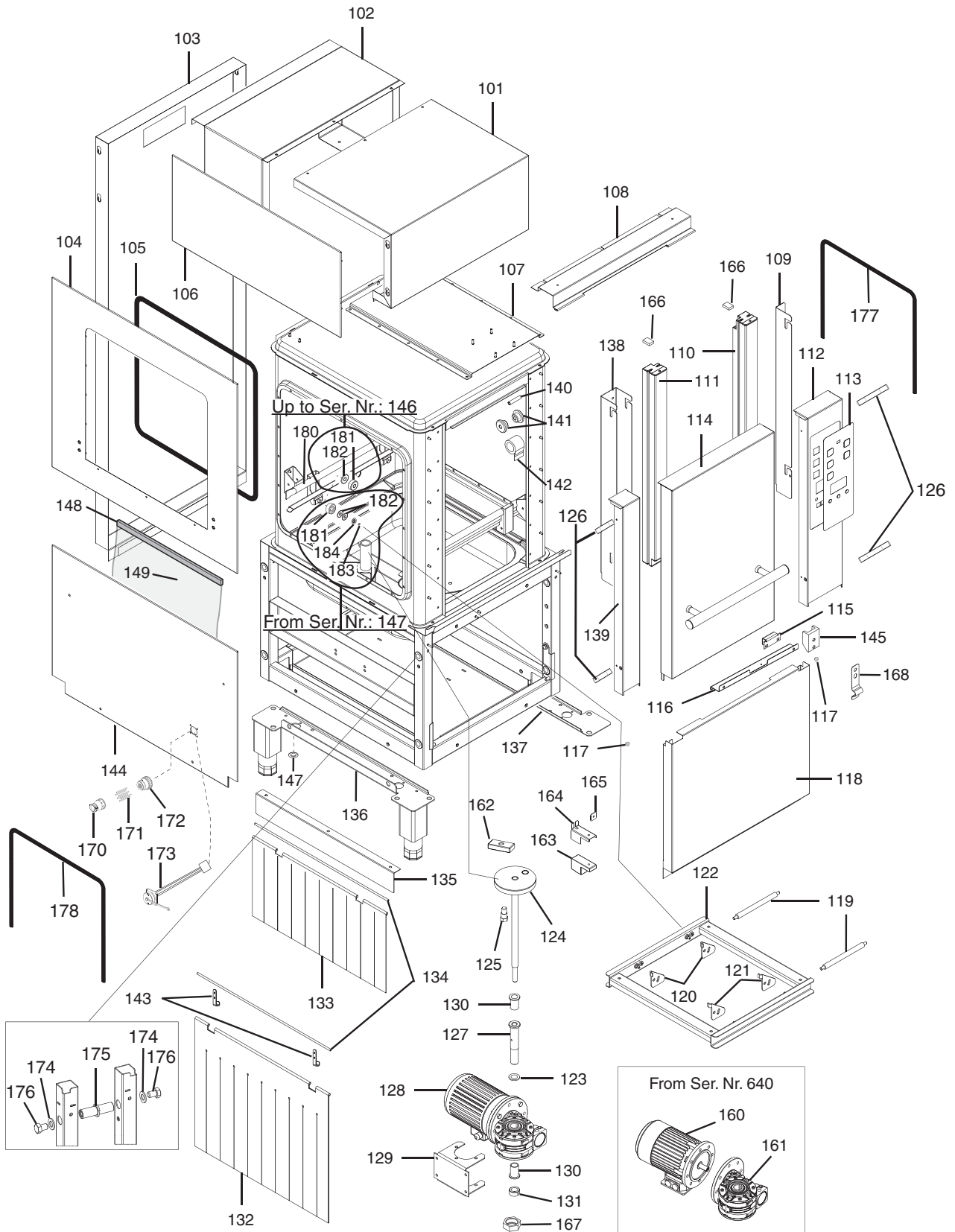
Doc. Nr.: **6-52 001**

INDICE / INDEX

Disegno/ Drawing	Descrizione / Description	Pagina/ Page
ill. 652001p1B	Risciacquo da 600, vista generale / Rinse from 600, Main view	4
	Lista ricambi / Spare parts list	5
ill. 652001p2A	Lavaggio da 1165, vista generale / Wash from 1165, Main view	8
	Lista ricambi / Spare parts list	9
ill. 652001p3A	Lavaggio da 1490, vista generale / Wash from 1490, Main view	11
	Lista ricambi / Spare parts list	12
ill. 652001p4A	Prelavaggio da 600, vista generale / Prewash from 600, Main view	14
	Lista ricambi / Spare parts list	15
ill. 652001p5A	Prelavaggio da 1165, vista generale / Prewash from 1165, Main view	17
	Lista ricambi / Spare parts list	18
ill. 652001p6A	Prelavaggio da 1490, vista generale / Prewash from 1490, Main view	20
	Lista ricambi / Spare parts list	21
ill. 652001p7	Risciacquo da 600, Circuito Idraulico / Rinse from 600, Hydraulic circuit	23
	Lista ricambi / Spare parts list	24
ill. 652001p8A	Lavaggio da 1165, Circuito Idraulico / Wash from 1165, Hydraulic circuit	27
	Lista ricambi / Spare parts list	28
ill. 652001p9	Lavaggio da 1490, Circuito Idraulico / Wash from 1490, Hydraulic circuit	31
	Lista ricambi / Spare parts list	32
ill. 652001p10A	Prelavaggio da 600, Circuito Idraulico / Prewash from 600, Hydraulic circuit	35
	Lista ricambi / Spare parts list	36
ill. 652001p11A	Prelavaggio da 1165, Circuito Idraulico / Prewash from 1165, Hydraulic circuit	38
	Lista ricambi / Spare parts list	39
ill. 652001p12	Prelavaggio da 1490, Circuito Idraulico / Prewash from 1490, Hydraulic circuit	41
	Lista ricambi / Spare parts list	42
ill. 652001p13	Risciacquo da 600, Componenti elettrici / Rinse from 600, Electrical components	45
	Lista ricambi / Spare parts list	46
ill. 652001p14A	Lavaggio da 1165, Componenti elettrici / Wash from 1165, Electrical components	49
	Lista ricambi / Spare parts list	50
ill. 652001p15A	Lavaggio da 1490, Componenti elettrici / Wash from 1490, Electrical components	52
	Lista ricambi / Spare parts list	53
ill. 652001p16A	Prelavaggio da 600, Componenti elettrici / Prewash from 600, Electrical components	55
	Lista ricambi / Spare parts list	57
ill. 652001p17A	Prelavaggio da 1165, Componenti elettrici / Prewash from 1165, Electrical components	58
	Lista ricambi / Spare parts list	60
ill. 652001p18A	Prelavaggio da 1490, Componenti elettrici / Prewash from 1490, Electrical components	61
	Lista ricambi / Spare parts list	63

PROSPETTO COMPOSIZIONE MODULI / VIEW OF MODULE COMPOSITION

RTM140/WTM140	RTM165/WTM165
 <p style="text-align: center;">Risciacquo / Lavaggio / Wash (1165) Rinse (600)</p>	 <p style="text-align: center;">Risciacquo / Lavaggio / Wash (1490) Rinse (600)</p>
<p>ill. 652001p1B pag. 4 ill. 652001p2A pag. 8 ill. 652001p7 pag. 23 ill. 652001p8A pag. 27 ill. 652001p13 pag. 45 ill. 652001p14A pag. 49</p>	<p>ill. 652001p1B pag. 4 ill. 652001p3A pag. 11 ill. 652001p7 pag. 23 ill. 652001p9 pag. 31 ill. 652001p13 pag. 45 ill. 652001p15A pag. 52</p>
RTM180/WTM180	RTM200/WTM200
 <p style="text-align: center;">Prelavaggio / Prewash (600) Lavaggio / Wash (1165) Risciacquo / Rinse (600)</p>	 <p style="text-align: center;">Risciacquo / Rinse (600) Lavaggio / Wash (1490) Prelavaggio / Prewash (600)</p>
<p>ill. 652001p1B pg.4 ill. 652001p2A pg. 8 ill. 652001p4A pg.14 ill. 652001p7pg23 ill. 652001p8A pg27 ill. 652001p10A pg35 ill. 652001p13pg 45 ill. 652001p14Appg 49 ill. 652001p16Appg55</p>	<p>ill. 652001p1B pg.4 ill. 652001p3A pag. 11 ill. 652001p4A pg.14 ill. 652001p7pg23 ill. 652001p9 pag. 31 ill. 652001p10A pg35 ill. 652001p13pg 45 ill. 652001p15A pag. 52 ill. 652001p16Appg55</p>
WTM250	WTM300
 <p style="text-align: center;">Risciacquo / Rinse (600) Lavaggio / Wash (1490) Prelavaggio / Prewash (1165)</p>	 <p style="text-align: center;">Risciacquo / Rinse (600) Lavaggio / Wash (1490) Prelavaggio / Prewash (1490)</p>
<p>ill. 652001p1B pg 4 ill. 652001p3A pg.11 ill. 652001p5A pg. 17 ill. 652001p7 pg. 23 ill. 652001p9 pg. 31 ill. 652001p11A pg. 38 ill. 652001p13 pg45 ill. 652001p15A pg52 ill. 652001p17A pg58</p>	<p>ill. 652001p1B pg 4 ill. 652001p3A pg.11 ill. 652001p5A pg. 17 ill. 652001p7 pg. 23 ill. 652001p9 pg. 31 ill. 652001p11A pg. 38 ill. 652001p13 pg45 ill. 652001p15A pg52 ill. 652001p17A pg58</p>



ill. 652001p1B

Risciacquo da 600, vista generale / Rinse from 600, Main view

Da Ser.Nr./From Ser.nr.: 544

Page: 4 Ed. 2013-03

Doc. Nr.: 6-52 001

Risciacquo da 600, vista generale Rinse from 600, Main view				ill. 652001p1B		Grassetto = variazioni Bold Print = changes
Pos.	Q.tà Q.ty	Cod.ric. Part No.	Cod. Fab. Fac. code	Descrizione	Description	Note Notes
101	1	0L0823	830652101	Copertura mobile CU	CU mobile cover	
102	1	0L0824	830651600	Copertura fissa CU	CU fixed cover	
103	1	0L0825	830652800	Schienale	Back panel	
104	1	0L0826	830638203	Pannello sinistro	Left panel	
105	1	0L0827	543630300	Guarnizione	Gasket	
106	1	0L0828	805662501	Fianco copertura CU	CU cover flank	Up to Ser. Nr. 724
106	1	0L1584	830651401	Fianco copertura CU	CU cover flank	From Ser. Nr. 725
107	1	0L0829	830640500	Supporto air gap	Air gap support	Up to Ser. Nr. 706
107	1	0L1442	830640502	Supporto air gap	Air gap support	From Ser. Nr. 713
107	1	0L1442	830640502	Supporto air gap	Air gap support	Up to Ser. Nr. 4501
107	1		830655Y00	Supporto air gap	Air gap support	From Ser. Nr. 4511
108	1	0L0830	503604200	Carter	Carter	Up to Ser. Nr. 616
108	1	0L1176	503604203	Carter	Carter	From Ser. Nr. 617
109	1	0L0831	502697802	Supporto destro pannello	Panel right support	Up to Ser. Nr. 724
109	1	0L1472	502697803	Supporto destro pannello	Panel right support	From Ser. Nr. 725
						Up to Ser. Nr. 810
109	1	0L1047	830643101	Supporto destro pannello	Panel right support	From Ser. Nr. 811
110	1	0L0832	830637101	Guida porta destra	Right door rail	
111	1	0L0833	830637201	Guida porta sinistra	Left door rail	
112	1	0L0834	830639503	Pannello interfaccia utente	User interface panel	Up to Ser. Nr. 810
112	1	0L1752	830654J01	Pannello interfaccia utente	User interface panel	From Ser. Nr. 811
113	1	0L0878	548643100	Membrana adesiva destra	Right control panel	Up to Ser. Nr. 810
113	1	0L1740	548648N00	Membrana adesiva destra	Right control panel	Electrolux
						From Ser. Nr. 811
113	1	0L0836	548642101	Membrana adesiva sinistra	Left control panel	Up to Ser. Nr. 810
113	1	0L1741	548648O00	Membrana adesiva sinistra	Left control panel	Electrolux
						From Ser. Nr. 811
113	1	0L1742	548648P00	Membrana adesiva destra	Right control panel	Zanussi
						From Ser. Nr. 811
113	1	0L1743	548648Q00	Membrana adesiva sinistra	Left control panel	Zanussi
						From Ser. Nr. 811
114	1	0L0837	835620302	Porta	Door	
115	1	0E2898	W00143601	Supporto molla	Spring support	
116	1	0L1168	504696703	Paraspruzzi	Splashguard	
117	4	0L0839	549644800	Perno aggancio	Locking stud	
118	1	0L0840	503601302	Pannello inferiore	Lower panel	
119	2	0L0841	514695200	Asse collegamento traino	Drawing connection shaft	
120	2	0L0842	504696100	Dente traino destro	Right rack tooth	Up to Ser. Nr. 638
120	2	0L1314	5046A3800	Dente traino destro	Right rack tooth	From Ser. Nr. 639
121	2	0L0843	504696200	Dente traino sinistro	Left rack tooth	Up to Ser. Nr. 638
121	2	0L1315	5046A3900	Dente traino sinistro	Left rack tooth	From Ser. Nr. 639
122	1	0L0844	830632200	Slitta	Slide	Up to Ser. Nr. 638
122	1	0L1306	830632203	Slitta	Slide	From Ser. Nr. 639
123	4	0L0152	RT0020700	Molla a tazza	Spring washer	
124	1	0L1309	835620202	Asse trascinamento	Conveyor shaft	
125	1	0L0846	514695101	Perno	Pin	Up to Ser. Nr. 638
125	1	0L1278	514695102	Perno	Pin	From Ser. Nr. 639
127	1	0L0847	514695001	Asse motoriduttore	Gear motor rod	
126	1	0L2968	140600700	Tubo 8X6	Hose 8X6	
128	1	0L0848	611630700	Motoriduttore	Gear motor	Up to Ser. Nr. 639

Da Ser.Nr./From Ser.nr.: 544

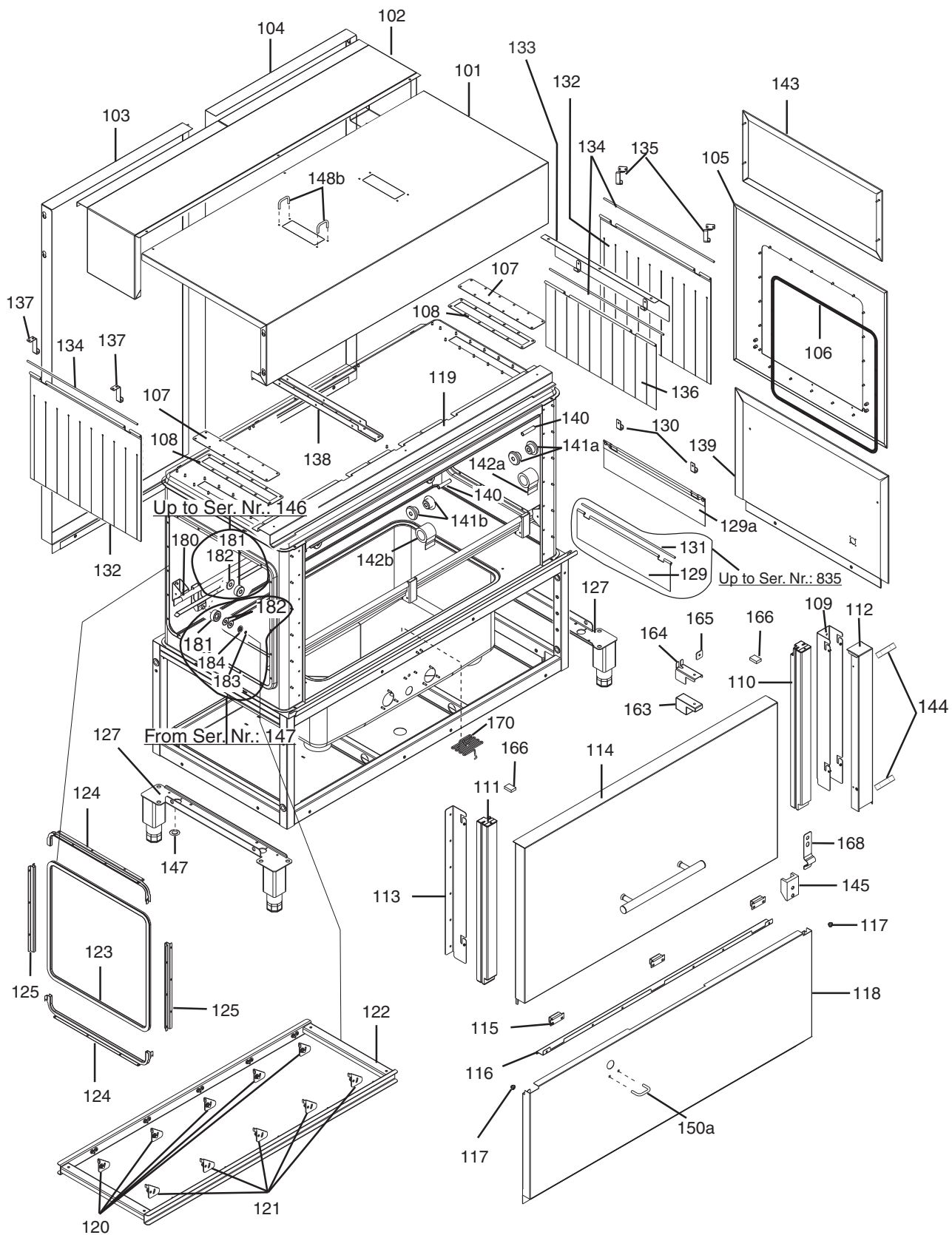
Risciacquo da 600, vista generale Rinse from 600, Main view				ill. 652001p1B	Grassetto = variazioni Bold Print = changes	
Pos.	Q.tà Q.ty	Cod.ric. Part No.	Cod. Fab. Fac. code	Descrizione	Description	Note Notes
129	1	0L0849	830640401	Supporto motoriduttore	Gear motor support	Up to Ser. Nr.: 928
129	1	0L2091	504696302	Supporto motoriduttore	Gear motor support	From Ser. Nr.: 929 Up to Ser. Nr.: 019
129	1	0L2317	504696303	Supporto motoriduttore	Gear motor support	From Ser. Nr.: 020
130	2	0E5043	W00115100	Boccola	Bush	
131	1	0E5187	W00111300	Anello di arresto	Blocking ring	
132	1	0L0850	541612302	Tendina doppia lunga	Double long curtain	Up to Ser. Nr.: 928
132	1	0L1732	541617000	Tendina doppia lunga	Double long curtain	From Ser. Nr.: 929
133	1	0L0851	541612402	Tendina singola corta	Single short curtain	Up to Ser. Nr.: 928
133	1	0L1733	541617100	Tendina singola corta	Single short curtain	From Ser. Nr.: 929
134	2	0E5826	RT0003700	Asse tendina	Curtain rod	
135	1	0L0852	800667800	Sostegno tendina singola corta	Single short curtain support	
136	1	0L0853	503603601	Piedi telaio	Frame feet	Not for steam ver- sion
136	1	0L1514	503615701	Piedi telaio	Frame feet	For steam version
137	1	0L0854	502696002	Supporto piede	Feet support	Not for steam ver- sion
137	1	0L1552	5026A7000	Supporto piede	Feet support	For steam version
138	1	0L1169	830643200	Supporto pannello	Panel support	Up to Ser. Nr.: 724
138	1	0L1473	502697703	Supporto pannello	Panel support	From Ser. Nr.: 725 Up to Ser. Nr.: 810
138	1	0L1169	830643202	Supporto pannello	Panel support	From Ser. Nr.: 811
139	1	0L0856	830641103	Pannello stretto	Slim panel	
140	1	0L0857	515659300	Camicia molla	Coil sleeve	
141	2	0L0858	546631000	Boccola molla	Spring bush	Up to Ser. Nr.: 616
141	2	0L1170	546631100	Boccola molla	Spring bush	From Ser. Nr.: 617
142	1	0E5158	W00093200	Molla	Spring	Up to Ser. Nr.: 616
142	1	0E5167	W00093300	Molla	Spring	From Ser. Nr.: 617
143	2	0L0997	RT0021201	Sostegno tendina	Curtain support	Up to Ser. Nr.: 616
143	2	0L1171	503610500	Gancio tendina	Curtain hook	From Ser. Nr.: 617
144	1	0L0860	502690806	Fianco inferiore sinistro	Left lower flank	
145	2	0L0861	541612801	Fermo porta	Door stop	
147	3	0L0993	541612500	Tappo	Plug	
148	1	049931	590603500	Velcro (H=20 cm, L=63 cm)	Velcro (H=20 cm, L=63 cm)	From Ser. Nr.: 147
149	1	0L2554	569608F00	Foglio protezione inverter	Inverter protection panel	From Ser. Nr.: 147
160	1	0L1280	611634100	Motore	Motor	From Ser. Nr.: 640
161	1	0L1281	835621300	Riduttore	Gearmotor	From Ser. Nr.: 640
162	1	0L1275	547604600	Pattino	Slider	
163	2	0L1471	543631300	Guarnizione	Gasket	
164	2	0L1470	502697402	Squadretta guarnizione	Gasket cover	
165	2	0L1469	503609200	Rondella quadrata	Square washer	
166	2	0L1597	565615200	Guarnizione guida porta	Door guide gasket	
167	1	0L0151	RT0020500	Dado autobloccante	Self-locking nut	
168	2	0L1528	507690700	Scrocco	Spring latch	
170	1	0L1644	699604800	Calotta bloccaggio cavi	Cable clamp body	
171	12	0L1645	639628000	Terminale maschio	Male connector	
172	1	0L1646	699604900	Presca volante	Plug housing	

Pos.	Q.tà Q.ty	Cod.ric. Part No.	Cod. Fab. Fac. code	Descrizione	Description	Note Notes
173	1	0L1763	638687B00	Prolunga connessione tavoli ingresso	Inlet handling system connection	
173	1	0L1764	638687C00	Prolunga connessione tavoli uscita	Outlet handling system connection	
174	8	0L2329	206008195	Rondella 15X28	Washer 15X28	From Ser. Nr.: 020
175	4	0L2324	5146A2401	Distanziale	Spacer	From Ser. Nr.: 020
176	8	0L2328	217018205	Vite M14X20	Screw M14X20	From Ser. Nr.: 020
177	1	0L2167	543633J00	Guarnizione	Gasket	From Ser. Nr.: 020
178	1	0L2311	543633H00	Guarnizione	Gasket	From Ser. Nr.: 020
180	2	0L1324	830631801	Guida cesto	Rack rail	Up to Ser. Nr.: 146
180	2	0L2594	835621Y00	Kit guida cesto	Rack rail kit	From Ser. Nr.: 147
181	4	0L2443	W00017300	Boccola aggancio slitta	Trail lock device	Up to Ser. Nr.: 146
181	4	0L2520	547604800	Boccola aggancio slitta	Trail lock device	From Ser. Nr.: 147
182	8	0L2174	549646100	Distanziale	Roller spacer	From Ser. Nr.: 147
183	4	0L2522	219614400	Anello di tenuta	Retainer ring	From Ser. Nr.: 147
184	4	0L2521	5066A0R00	Dischetto contenimento rulli	Flanged washer	From Ser. Nr.: 147

Lavaggio da 1165, vista generale Wash from 1165, Main view				ill. 652001p2A	Grassetto = variazioni Bold Print = changes	
Pos.	Q.tà Q.ty	Cod.ric. Part No.	Cod. Fab. Fac. code	Descrizione	Description	Note Notes
101	1	0L0869	830652302	Copertura mobile CU	CU mobile cover	Up to Ser. Nr.: 5141
101	1	0LXXXX	83065GA00	Copertura mobile CU	CU mobile cover	From Ser. Nr.: 5151
102	1	0L0865	830651700	Copertura fissa CU	CU fixed cover	
103	1	0L0864	830653002	Schienale	Back panel	
104	1	0L0880	830638303	Pannello destro	Right panel	
105	1	0L0875	543629700	Guarnizione	Gasket	
106	2	0L0828	805662501	Fianco copertura CU	CU cover flank	Up to Ser. Nr.: 724
106	2	0L1584	830651401	Fianco copertura CU	CU cover flank	From Ser. Nr.: 725
107	2	0L0877	800667301	Tappo CU	CU plug	
108	2	0L0876	543631001	Guarnizione tappo CU	CU plug gasket	
109	1	0L1169	830643200	Supporto pannello	Panel support	Up to Ser. Nr.: 724
109	1	0L1473	502697703	Supporto pannello	Panel support	From Ser. Nr.: 725 Up to Ser. Nr.: 810
109	1	0L1169	830643202	Supporto pannello	Panel support	From Ser. Nr.: 811
110	1	0L0832	830637101	Guida porta destra	Right door rail	
111	1	0L0833	830637201	Guida porta sinistra	Left door rail	
112	1	0L0856	830641103	Pannello stretto	Slim panel	
113	1	0L0862	502697901	Supporto pannello	Panel support	Up to Ser. Nr.: 724
113	1	0L1474	502697902	Supporto pannello	Panel support	From Ser. Nr.: 725 Up to Ser. Nr.: 810
113	1	0L1049	830643001	Supporto pannello	Panel support	From Ser. Nr.: 811
114	1	0L0881	835620502	Porta	Door	
115	2	0E2898	W00143601	Supporto molla	Spring support	
116	1	0L0868	504696602	Paraspruzzi	Splashguard	
117	4	0L0839	549644800	Perno aggancio	Locking stud	
118	1	0L1182	503601103	Pannello inferiore	Lower panel	Up to Ser. Nr.: 616
118	1	0L1266	503615601	Pannello inferiore	Lower panel	From Ser. Nr.: 617 Up to Ser. Nr.: 146
118	1	0L2635	503615602	Pannello inferiore	Lower panel	From Ser. Nr.: 147
119	1	0L0866	503604401	Carter	Carter	Up to Ser. Nr.: 616
119	1	0L1178	503610902	Carter	Carter	From Ser. Nr.: 617
119	1	0L1178	503610902	Carter	Carter	Up Ser. Nr: 5141
119	1	0LXXXX	50361CX00	Carter	Carter	From Ser. Nr. 5151
120	4	0L0842	504696100	Dente traino destro	Right rack tooth	Up to Ser. Nr.: 638
120	4	0L1314	5046A3800	Dente traino destro	Right rack tooth	From Ser. Nr.: 639
121	4	0L0843	504696200	Dente traino sinistro	Left rack tooth	Up to Ser. Nr.: 638
121	4	0L1315	5046A3900	Dente traino sinistro	Left rack tooth	From Ser. Nr.: 639
122	1	0L0879	830632400	Slitta	Slide	Up to Ser. Nr.: 638
122	1	0L1303	830632403	Slitta	Slide	From Ser. Nr.: 639
123	1	0L0827	543630300	Guarnizione	Gasket	
124	2	0L0992	502697601	Copertura orizzontale guarnizione	Gasket horizontal cover	
125	2	0L0991	502697501	Copertura verticale guarnizione	Gasket hertical cover	
126	1	0L2968	140600700	Tubo 8X6	Hose 8X6	
127	2	0L0853	503603601	Piedi telaio	Frame feet	Not for steam version
127	2	0L1514	503615701	Piedi telaio	Frame feet	For steam version
129	1	0L0874	541613001	Tendina traino	Drawing cultrain	Up to Ser. Nr.: 835
129a	1	0L1946	830654Q00	Tendina traino	Drawing cultrain	From Ser. Nr.: 836
130	2	0L0955	805662800	Sostegno tendina	Curtain support	
131	1	0L0873	514699200	Asse tendina	Curtain rod	Up to Ser. Nr.: 835

Da Ser.Nr./From Ser.nr.: 544

Lavaggio da 1165, vista generale Wash from 1165, Main view				ill. 652001p2A	Grassetto = variazioni Bold Print = changes	
Pos.	Q.tà Q.ty	Cod.ric. Part No.	Cod. Fab. Fac. code	Descrizione	Description	Note Notes
132	1	0L0850	541612302	Tendina doppia lunga	Double long curtain	Up to Ser. Nr.: 928
132	1	0L1732	541617000	Tendina doppia lunga	Double long curtain	From Ser. Nr.: 929
133	1	0L0852	800667800	Sostegno tendina singola corta	Single short curtain support	
134	3	0E5826	RT0003700	Asse tendina	Curtain rod	
135	2	0L0870	505600000	Gancio tendina	Curtain hook	Up to Ser. Nr.: 616
135	2	0L1172	505600001	Gancio tendina	Curtain hook	From Ser. Nr.: 617
136	1	0L0851	541612402	Tendina singola corta	Single short curtain	Up to Ser. Nr.: 928
136	1	0L1733	541617100	Tendina singola corta	Single short curtain	From Ser. Nr.: 929
137	2	0L0871	507687300	Gancio tendina	Curtain hook	
138	1	0L0867	503607302	Rinforzo CU	CU reinforcement	
139	1	0L0859	502696105	Fianco inferiore destro	Right lower flank	
140	2	0L0857	515659300	Camicia molla	Coil sleeve	
141	6	0L0858	546631000	Boccola molla	Spring bush	Up to Ser. Nr.: 616
141	4	0L1170	546631100	Boccola molla	Spring bush	From Ser. Nr.: 617
142	3	0E5158	W00093200	Molla	Spring	Up to Ser. Nr.: 616
142	2	0E5167	W00093300	Molla	Spring	From Ser. Nr.: 617
145	2	0L0861	541612801	Fermo porta	Door stop	
147	3	0L0993	541612500	Tappo	Plug	
148a	1	0L1181	5146A0500	Protezione sezionatore	Main switch protection	From Ser. Nr.: 617 Up to Ser. Nr.: 146
148a	1	0L2514	5146A4F00	Protezione sezionatore	Main switch protection	From Ser. Nr.: 147
148b	2	0L2514	5146A4F00	Protezione CU	CU protection	Only for machine with CU From Ser. Nr.: 147
163	2	0L1471	543631300	Guarnizione	Gasket	
164	2	0L1470	502697402	Squadretta guarnizione	Gasket cover	
165	2	0L1469	503609200	Rondella quadrata	Square washer	
166	2	0L1597	565615200	Guarnizione guida porta	Door guide gasket	
168	2	0L1528	507690700	Scrocco	Spring latch	
170	1	0L2515	5146A4100	Protezione scarico	Drain screen	From Ser. Nr.: 147
180	2	0L1704	830632001	Guida cesto	Rack rail	Up to Ser. Nr.: 146
180	2	0L2593	835621X00	Kit guida cesto	Rack rail kit	From Ser. Nr.: 147
181	6	0L2443	W00017300	Boccola aggancio slitta	Trail lock device	Up to Ser. Nr.: 146
181	6	0L2520	547604800	Boccola aggancio slitta	Trail lock device	From Ser. Nr.: 147
182	12	0L2174	549646100	Distanziale	Roller spacer	From Ser. Nr.: 147
183	6	0L2522	219614400	Anello di tenuta	Retainer ring	From Ser. Nr.: 147
184	6	0L2521	5066A0R00	Dischetto contenimento rulli	Flanged washer	From Ser. Nr.: 147



ill. 652001p3A

Lavaggio da 1490, vista generale / Wash from 1490, Main view

Da Ser.Nr./From Ser.nr.: 544

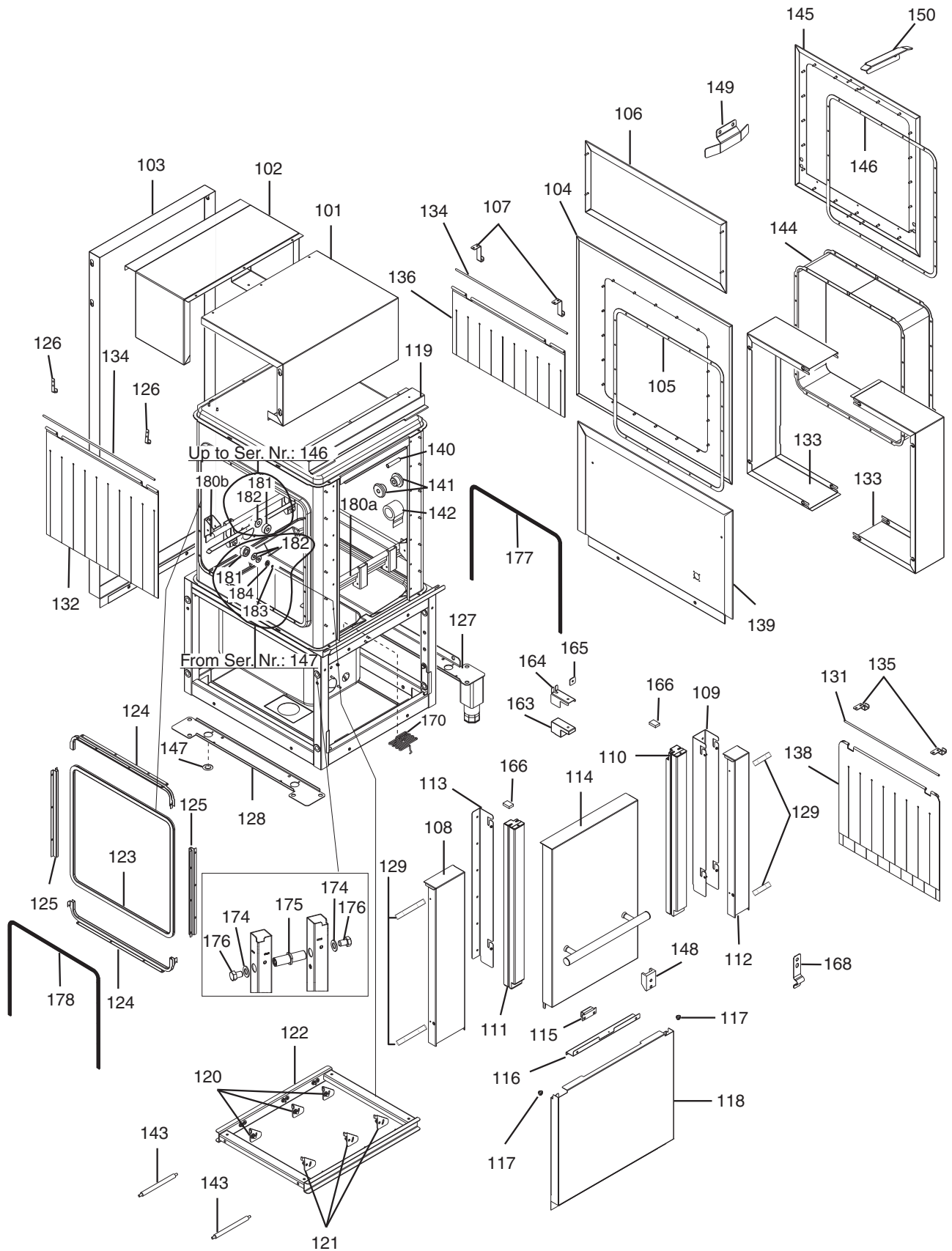
Page: 11 Ed. 2013-03

Doc. Nr.: 6-52 001

Lavaggio da 1490, vista generale Wash from 1490, Main view				ill. 652001p3A		Grassetto = variazioni Bold Print = changes
Pos.	Q.tà Q.ty	Cod.ric. Part No.	Cod. Fab. Fac. code	Descrizione	Description	Note Notes
101	1	0L0897	830652402	Copertura mobile CU	CU mobile cover	
102	1	0L0885	830651800	Copertura fissa CU	CU fixed cover	
103	1	0L0889	830653202	Schienale sinistro	Left back panel	
104	1	0L0884	830653102	Schienale destro	Right back panel	
105	1	0L0880	830638303	Pannello destro	Right panel	
106	1	0L0875	543629700	Guarnizione	Gasket	
107	2	0L0877	800667301	Tappo CU	CU plug	
108	2	0L0876	543631001	Guarnizione tappo CU	CU plug gasket	
109	1	0L1169	830643200	Supporto pannello	Panel support	Up to Ser. Nr.: 724
109	1	0L1473	502697703	Supporto pannello	Panel support	From Ser. Nr.: 725 Up to Ser. Nr.: 810
109	1	0L1169	830643202	Supporto pannello	Panel support	From Ser. Nr.: 811
110	1	0L0832	830637101	Guida porta destra	Right door rail	
111	1	0L0833	830637201	Guida porta sinistra	Left door rail	
112	1	0L0856	830641103	Pannello stretto	Slim panel	
113	1	0L0862	502697901	Supporto sinistro pannello	Panel left support	Up to Ser. Nr.: 724
113	1	0L1474	502697902	Supporto pannello	Panel support	From Ser. Nr.: 725 Up to Ser. Nr.: 810
113	1	0L1049	830643001	Supporto pannello	Panel support	From Ser. Nr.: 811
114	1	0L0989	835620601	Porta	Door	
115	3	0E2898	W00143601	Supporto molla	Spring support	
116	1	0L0896	504696502	Paraspruzzi	Splashguard	
117	4	0L0839	549644800	Perno aggancio	Locking stud	
118	1	0L0883	503601001	Pannello inferiore	Lower panel	Up to Ser. Nr.: 616
118	1	0L1183	503601004	Pannello inferiore	Lower panel	From Ser. Nr.: 617 Up to Ser.Nr.: 146
118	1	0L2634	503601005	Pannello inferiore	Lower panel	From Ser. Nr.: 147
119	1	0L0886	503604501	Carter	Carter	Up to Ser. Nr.: 616
119	1	0L1177	503614102	Carter	Carter	From Ser. Nr.: 617
119	1	0L1177	503614102	Carter	Carter	Up to Ser. Nr.: 5141
119	1	0LXXXX	50361CY00	Carter	Carter	From Ser. Nr.: 5151
120	5	0L0842	504696100	Dente traino destro	Right rack tooth	Up to Ser. Nr.: 638
120	5	0L1314	5046A3800	Dente traino destro	Right rack tooth	From Ser. Nr.: 639
121	5	0L0843	504696200	Dente traino sinistro	Left rack tooth	Up to Ser. Nr.: 638
121	5	0L1315	5046A3900	Dente traino sinistro	Left rack tooth	From Ser. Nr.: 639
122	1	0L0956	830632500	Slitta	Slide	Up to Ser. Nr.: 638
122	1	0L1304	830632503	Slitta	Slide	From Ser. Nr.: 639
123	1	0L0827	543630300	Guarnizione	Gasket	
124	2	0L0992	502697601	Copertura orizzontale guarnizione	Gasket horizontal cover	
125	2	0L0991	502697501	Copertura verticale guarnizione	Gasket hertical cover	
126	4	0L0872	514698000	Boccola	Bush	
127	2	0L0853	503603601	Piedi telaio	Frame feet	Not for steam version
127	2	0L1514	503615701	Piedi telaio	Frame feet	For steam version
129	1	0L0874	541613001	Tendina traino	Drawing cultrain	Up to Ser. Nr.: 835
129a	1	0L1946	830654Q00	Tendina traino	Drawing cultrain	From Ser. Nr.: 836
130	2	0L0997	805662800	Sostegno tendina	Curtain support	
131	1	0L0873	514699200	Asse tendina	Curtain rod	Up to Ser. Nr.: 835
132	1	0L0850	541612302	Tendina doppia lunga	Double long curtain	Up to Ser. Nr.: 928
132	1	0L1732	541617000	Tendina doppia lunga	Double long curtain	From Ser. Nr.: 929

Da Ser.Nr./From Ser.nr.: 544

Lavaggio da 1490, vista generale Wash from 1490, Main view				ill. 652001p3A	Grassetto = variazioni Bold Print = changes	
Pos.	Q.tà Q.ty	Cod.ric. Part No.	Cod. Fab. Fac. code	Descrizione	Description	Note Notes
133	1	0L0852	800667800	Sostegno tendina	Curtain support	
134	3	0E5826	RT0003700	Asse tendina	Curtain rod	
135	2	0L0870	505600000	Gancio tendina	Curtain hook	Up to Ser. Nr.: 616
135	2	0L1172	505600001	Gancio tendina	Curtain hook	From Ser. Nr.: 617
136	1	0L0851	541612402	Tendina singola corta	Single short curtain	Up to Ser. Nr.: 928
136	1	0L1733	541617100	Tendina singola corta	Single short curtain	From Ser. Nr.: 929
137	2	0L0871	507687300	Gancio tendina	Curtain hook	
138	1	0L0867	503607302	Rinforzo CU	CU reinforcement	
139	1	0L0859	502696106	Fianco inferiore destro	Right lower flank	
140	3	0L0857	515659300	Camicia molla	Coil sleeve	
141a	4	0L0858	546631000	Boccola molla	Spring bush	
141b	2	0L1170	546631100	Boccola molla	Spring bush	
142a	2	0E5158	W00093200	Molla	Spring	
142b	1	0E5167	W00093300	Molla	Spring	
143	1	0L0828	805662501	Fianco copertura CU	CU cover flank	Up to Ser. Nr.: 724
143	1	0L1584	830651401	Fianco copertura CU	CU cover flank	From Ser. Nr.: 725
144	1	0L2968	140600700	Tube 8X6	Hose 8X6	
145	2	0L0861	541612801	Fermo porta	Door stop	
147	3	0L0993	541612500	Tappo	Plug	
150a	1	0L1181	5146A0500	Protezione sezionatore	Main switch protection	From Ser. Nr.: 617 Up to Ser. Nr.: 146
150a	1	0L2514	5146A4F00	Protezione sezionatore	Main switch protection	From Ser. Nr.: 147
150b	2	0L2514	5146A4F00	Protezione CU	CU protection	Only for machine with CU From Ser. Nr.: 147
163	2	0L1471	543631300	Guarnizione	Gasket	
164	2	0L1470	502697402	Squadretta guarnizione	Gasket cover	
165	2	0L1469	503609200	Rondella quadrata	Square washer	
166	2	0L1597	565615200	Guarnizione guida porta	Door guide gasket	
168	2	0L1528	507690700	Scrocco	Spring latch	
170	1	0L2515	5146A4100	Protezione scarico	Drain screen	From Ser. Nr.: 147
180	2	0L1642	830632101	Guida cesto	Rack rail	Up to Ser. Nr.: 146
180	2	0L2595	835621Z00	Kit guida cesto	Rack rail kit	From Ser. Nr.: 147
181	6	0L2443	W00017300	Boccola aggancio slitta	Trail lock device	Up to Ser. Nr.: 146
181	6	0L2520	547604800	Boccola aggancio slitta	Trail lock device	From Ser. Nr.: 147
182	12	0L2174	549646100	Distanziale	Roller spacer	From Ser. Nr.: 147
183	6	0L2522	219614400	Anello di tenuta	Retainer ring	From Ser. Nr.: 147
184	6	0L2521	5066A0R00	Dischetto contenimento rulli	Flanged washer	From Ser. Nr.: 147



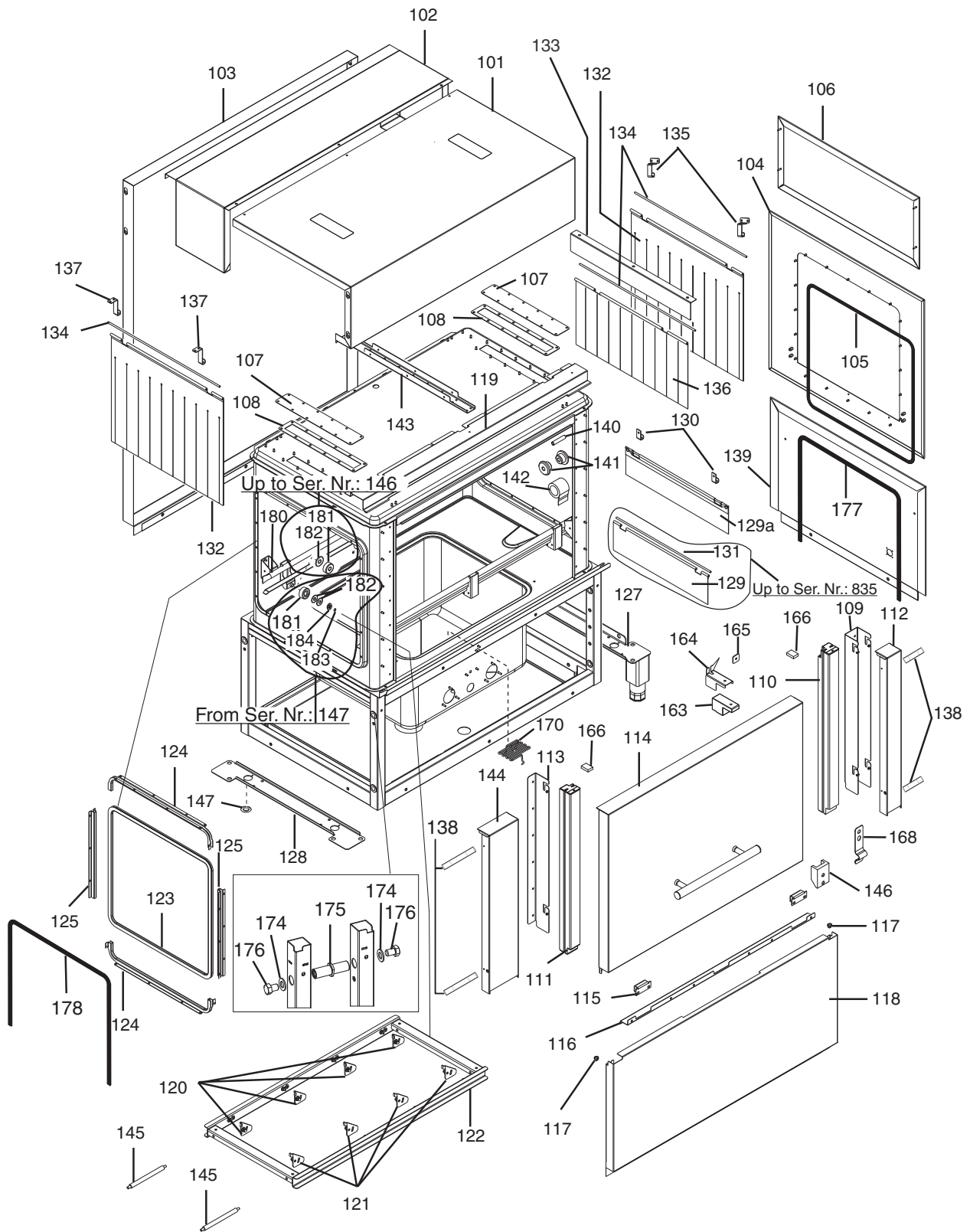
iii. 652001p4A

Prelavaggio da 600, vista generale / Prewash from 600, Main view

Da Ser.Nr./From Ser.nr.: 544

Pos.	Q.tà Q.ty	Cod.ric. Part No.	Cod. Fab. Fac. code	Descrizione	Description	Note Notes
101	1	0L0823	830652101	Copertura mobile CU	CU mobile cover	
102	1	0L0824	830651600	Copertura fissa CU	CU fixed cover	
103	1	0L0825	830652802	Schienale	Back panel	
104	1	0L0976	830636803	Pannello destro interno	Internal right panel	Right machine
104	1	0L1179	830636603	Pannello sinistro interno	Internal left panel	Left machine
105	1	0L0875	543629700	Guarnizione	Gasket	
106	1	0L0828	805662501	Fianco copertura CU	CU cover flank	Up to Ser. Nr.: 724
106	1	0L1584	830651401	Fianco copertura CU	CU cover flank	From Ser. Nr.: 725
107	2	0L0871	507687300	Gancio tendina	Curtain hook	
108	2	0L0984	830641003	Pannello	Panel	
109	1	0L1169	830643200	Supporto pannello	Panel support	Up to Ser. Nr.: 724
109	1	0L1473	502697703	Supporto pannello	Panel support	From Ser. Nr.: 725 Up to Ser. Nr.: 810
109	1	0L1169	830643202	Supporto pannello	Panel support	From Ser. Nr.: 811
110	1	0L0832	830637101	Guida porta destra	Right door rail	
111	1	0L0833	830637201	Guida porta sinistra	Left door rail	
112	1	0L0856	830641103	Pannello stretto	Slim panel	
113	1	0L0862	502697901	Supporto pannello	Panel support	Up to Ser. Nr.: 724
113	1	0L1474	502697902	Supporto pannello	Panel support	From Ser. Nr.: 725 Up to Ser. Nr.: 810
113	1	0L1049	830643001	Supporto pannello	Panel support	From Ser. Nr.: 811
114	1	0L0837	835620302	Porta	Door	
115	1	0E2898	W00143601	Supporto molla	Spring support	
116	1	0L1168	504696703	Paraspruzzi	Splashguard	
117	4	0L0839	549644800	Perno aggancio	Locking stud	
118	1	0L0840	503601302	Pannello inferiore	Lower panel	
119	1	0L0830	503604200	Carter	Carter	Up to Ser. Nr.: 616
119	1	0L1176	503604203	Carter	Carter	From Ser. Nr.: 617
120	3	0L0842	504696100	Dente traino destro	Right rack tooth	Up to Ser. Nr.: 638
120	3	0L1314	5046A3800	Dente traino destro	Right rack tooth	From Ser. Nr.: 639
121	3	0L0843	504696200	Dente traino sinistro	Left rack tooth	Up to Ser. Nr.: 638
121	3	0L1315	5046A3900	Dente traino sinistro	Left rack tooth	From Ser. Nr.: 639
122	1	0L0977	830636902	Slitta	Slide	Up to Ser. Nr.: 638
122	1	0L1305	830636905	Slitta	Slide	From Ser. Nr.: 639
123	1	0L0827	543630300	Guarnizione	Gasket	
124	2	0L0992	502697601	Copertura orizzontale guarnizione	Gasket horizontal cover	
125	2	0L0991	502697501	Copertura verticale guarnizione	Gasket hertical cover	
126	2	0L1171	503610500	Gancio tendina	Curtain hook	
127	2	0L0853	503603601	Piedi telaio	Frame feet	
128	1	0L0854	502696002	Supporto piede	Feet support	
129	1	0L2968	140600700	Tube 8X6	Hose 8X6	
130	2	0L0955	805662800	Sostegno tendina traino	Drawing curtain support	
131	1	0L0873	514699200	Asse tendina	Curtain rod	
132	1	0L0850	541612302	Tendina doppia lunga	Double long curtain	Up to Ser. Nr.: 928
132	1	0L1732	541617000	Tendina doppia lunga	Double long curtain	From Ser. Nr.: 929
133	2	0L0887	503605801	Fascia laterale bocca	Inlet lateral cover	
134	2	0E5826	RT0003700	Asse tendina	Curtain rod	
135	2	0L0898	506600400	Gancio tendina	Curtain hook	

Prelavaggio da 600, vista generale Prewash from 600, Main view				ill. 652001p4A		Grassetto = variazioni Bold Print = changes
Pos.	Q.tà Q.ty	Cod.ric. Part No.	Cod. Fab. Fac. code	Descrizione	Description	Note Notes
136	1	0L0916	541612202	Tendina doppia corta	Double short curtain	Up to Ser. Nr.: 928
136	1	0L1767	541616900	Tendina doppia corta	Double short curtain	From Ser. Nr.: 929
138	1	0L0917	541612902	Tendina smussata	Rounded curtain	Up to Ser. Nr.: 928
138	1	0L1765	541617200	Tendina smussata	Rounded curtain	From Ser. Nr.: 929
139	1	0L0859	5026961055 02696105	Fianco inferiore destro	Right lower flank	
140	1	0L0857	515659300	Camicia molla	Coil sleeve	
141	2	0L0858	546631000	Boccola molla	Spring bush	Up to Ser. Nr.: 616
141	2	0L1170	546631100	Boccola molla	Spring bush	From Ser. Nr.: 617
142	1	0E5158	W00093200	Molla	Spring	Up to Ser. Nr.: 616
142	1	0E5167	W00093300	Molla	Spring	From Ser. Nr.: 617
143	2	0L0841	514695200	Asse collegamento traino	Drawing connection shaft	
144	1	0L0888	503606400	Tunnel bocca	Inlet tunnel	
145	1	0L0975	830636701	Pannello destro	Right panel	
146	1	0L0920	543631100	Guarnizione	Gasket	
147	3	0L0993	541612500	Tappo	Plug	
148	2	0L0861	541612801	Fermo porta	Door stop	
149	2	0L1173	502698400	Guida cesto laterale	Lateral rack rail	
150	2	0L1200	502698301	Supporto cesto inferiore	Lower rack support	
151	2	0L0997	RT0021201	Sostegno tendina	Curtain support	Up to Ser. Nr.: 616
151	2	0L1171	503610500	Sostegno tendina	Curtain support	From Ser. Nr.: 617
163	2	0L1471	543631300	Guarnizione	Gasket	
164	2	0L1470	502697402	Squadretta guarnizione	Gasket cover	
165	2	0L1469	503609200	Rondella quadrata	Square washer	
166	2	0L1597	565615200	Guarnizione guida porta	Door guide gasket	
168	2	0L1528	507690700	Scrocco	Spring latch	
170	1	0L2515	5146A4100	Protezione scarico	Drain screen	From Ser. Nr.: 147
174	8	0L2329	206008195	Rondella 15X28	Washer 15X28	From Ser. Nr.: 020
175	4	0L2324	5146A2401	Distanziale	Spacer	From Ser. Nr.: 020
176	8	0L2328	217018205	Vite M14X20	Screw M14X20	From Ser. Nr.: 020
177	1	0L2167	543633J00	Guarnizione	Gasket	From Ser. Nr.: 020
178	1	0L2311	543633H00	Guarnizione	Gasket	From Ser. Nr.: 020
180a	1	0L1705	830637501	Guida cesto frontale	Frontal rack rail	Up to Ser. Nr.: 146
180a	1	0L2592	835621W00	Kit guida cesto frontale	Frontal rack rail kit	From Ser. Nr.: 147
180b	1	0L1324	830631801	Guida cesto posteriore	Back rack rail	Up to Ser. Nr.: 146
180b	1	0L2594	8306621Y00	Guida cesto posteriore	Back rack rail	From Ser. Nr.: 147
181	4	0L2443	W00017300	Boccola aggancio slitta	Trail lock device	Up to Ser. Nr.: 146
181	4	0L2520	547604800	Boccola aggancio slitta	Trail lock device	From Ser. Nr.: 147
182	8	0L2174	549646100	Distanziale	Roller spacer	From Ser. Nr.: 147
183	4	0L2522	219614400	Anello di tenuta	Retainer ring	From Ser. Nr.: 147
184	4	0L2521	5066A0R00	Dischetto contenimento rulli	Flanged washer	From Ser. Nr.: 147



III. 652001p5A

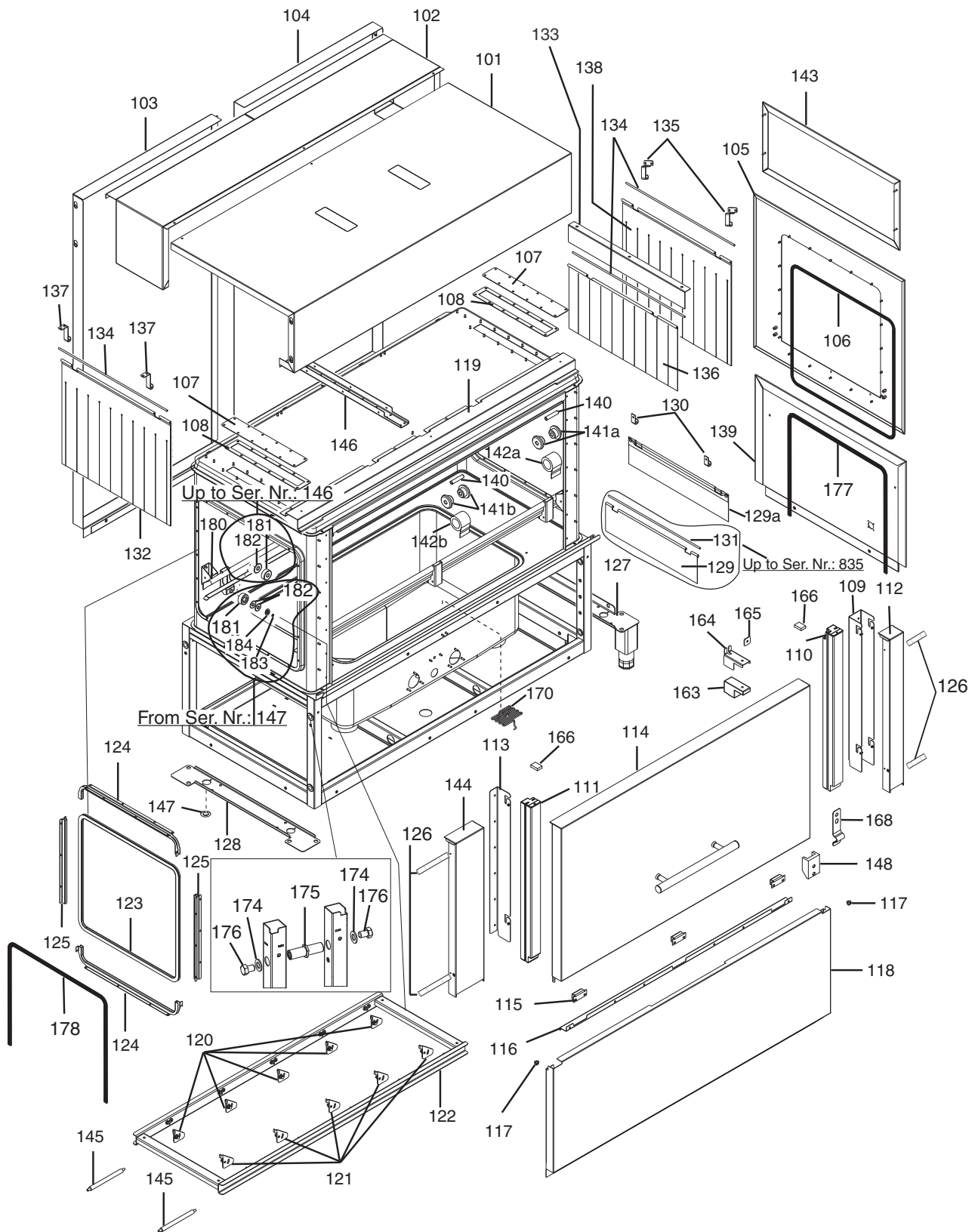
Prelavaggio da 1165, vista generale/ Prewash from 1165, Main view

Da Ser.Nr./From Ser.nr.: 544

Prelavaggio da 1165, vista generale Prewash from 1165, Main view				ill. 652001p5A	Grassetto = variazioni Bold Print = changes	
Pos.	Q.tà Q.ty	Cod.ric. Part No.	Cod. Fab. Fac. code	Descrizione	Description	Note Notes
101	1	0L0869	830652302	Copertura mobile CU	CU mobile cover	Up to Ser. Nr.: 5141
101	1	0LXXXX	83065GA00	Copertura mobile CU	CU mobile cover	From Ser. Nr.: 5151
102	1	0L0865	830651700	Copertura fissa CU	CU fixed cover	
103	1	0L0864	830653002	Schienale	Back panel	
104	1	0L0880	830638303	Pannello destro	Right panel	
105	1	0L0875	543629700	Guarnizione	Gasket	
106	1	0L0828	805662501	Fianco copertura CU	CU cover flank	Up to Ser. Nr.: 724
106	1	0L1584	830651401	Fianco copertura CU	CU cover flank	From Ser. Nr.: 725
107	2	0L0877	800667301	Tappo CU	CU plug	
108	2	0L0876	543631001	Guarnizione tappo CU	CU plug gasket	
109	1	0L1169	830643200	Supporto pannello	Panel support	Up to Ser. Nr.: 724
109	1	0L1473	502697703	Supporto pannello	Panel support	From Ser. Nr.: 725 Up to Ser. Nr.: 810
109	1	0L1169	830643202	Supporto pannello	Panel support	From Ser. Nr.: 811
110	1	0L0832	830637101	Guida porta destra	Right door rail	
111	1	0L0833	830637201	Guida porta sinistra	Left door rail	
112	1	0L0856	830641103	Pannello stretto	Slim panel	
113	1	0L0862	502697901	Supporto pannello	Panel support	Up to Ser. Nr.: 724
113	1	0L1474	502697902	Supporto pannello	Panel support	From Ser. Nr.: 725 Up to Ser. Nr.: 810
113	1	0L1049	830643001	Supporto pannello	Panel support	From Ser. Nr.: 811
114	1	0L0881	835620502	Porta	Door	
115	2	0E2898	W00143601	Supporto molla	Spring support	
116	1	0L0868	504696602	Paraspruzzi	Splashguard	
117	4	0L0839	549644800	Perno aggancio	Locking stud	
118	1	0L0890	503609901	Pannello inferiore	Lower panel	
119	1	0L0866	503604401	Carter	Carter	Up to Ser. Nr.: 616
119	1	0L1178	503610902	Carter	Carter	From Ser. Nr.: 617
119	1	0L1178	503610902	Carter	Carter	Up Ser. Nr: 5141
119	1	0LXXXX	50361CX00	Carter	Carter	From Ser. Nr. 5151
120	3	0L0842	504696100	Dente traino destro	Right rack tooth	
120	3	0L1314	5046A3800	Dente traino destro	Right rack tooth	
121	3	0L0843	504696200	Dente traino sinistro	Left rack tooth	
121	3	0L1315	5046A3900	Dente traino sinistro	Left rack tooth	
122	1	0L0879	830632400	Slitta	Slide	Up to Ser. Nr.: 638
122	1	0L1303	830632403	Slitta	Slide	From Ser. Nr.: 639
123	1	0L0827	543630300	Guarnizione	Gasket	
124	2	0L0992	502697601	Copertura orizzontale guarnizione	Gasket horizontal cover	
125	2	0L0991	502697501	Copertura verticale guarnizione	Gasket hertical cover	
126	4	0L0872	514698000	Boccola	Bush	
127	2	0L0853	503603601	Piedi telaio	Frame feet	
128	1	0L0854	502696002	Supporto piede	Feet support	
129	1	0L0874	541613001	Tendina traino	Drawing cultrain	Up to Ser. Nr.: 835
129a	1	0L1946	830654Q00	Tendina traino	Drawing cultrain	From Ser. Nr.: 836
130	2	0L0955	805662800	Sostegno tendina	Curtain support	
131	1	0L0873	514699200	Asse tendina	Curtain rod	Up to Ser. Nr.: 835
132	1	0L0850	541612302	Tendina doppia lunga	Double long curtain	Up to Ser. Nr.: 928
132	1	0L1732	541617000	Tendina doppia lunga	Double long curtain	From Ser. Nr.: 929

Da Ser.Nr./From Ser.nr.: 544

Prelavaggio da 1165, vista generale Prewash from 1165, Main view				ill. 652001p5A	Grassetto = variazioni Bold Print = changes	
Pos.	Q.tà Q.ty	Cod.ric. Part No.	Cod. Fab. Fac. code	Descrizione	Description	Note Notes
133	2	0L0852	800667800	Sostegno tendina singola corta	Single short curtain support	
134	2	0E5826	RT0003700	Asse tendina	Curtain rod	
135	2	0L0870	505600000	Gancio tendina	Curtain hook	Up to Ser. Nr.: 616
135	2	0L1172	505600001	Gancio tendina	Curtain hook	From Ser. Nr.: 617
136	1	0L0851	541612402	Tendina singola corta	Single short curtain	Up to Ser. Nr.: 928
136	1	0L1733	541617100	Tendina singola corta	Single short curtain	From Ser. Nr.: 929
137	2	0L0871	507687300	Gancio tendina	Curtain hook	
138	1	0L2968	140600700	Tube 8X6	Hose 8X6	
139	1	0L0859		Fianco inferiore destro	Right lower flank	
140	2	0L0857	515659300	Camicia molla	Coil sleeve	
141	6	0L0858	546631000	Boccola molla	Spring bush	Up to Ser. Nr.: 616
141	4	0L1170	546631100	Boccola molla	Spring bush	From Ser. Nr.: 617
142	3	0E5158	W00093200	Molla	Spring	Up to Ser. Nr.: 616
142	2	0E5167	W00093300	Molla	Spring	From Ser. Nr.: 617
143	1	0L0867	503607302	Rinforzo CU	CU reinforcement	
144	1	0L0984	830641003	Pannello	Panel	
145	2	0L0841	514695200	Asse collegamento traino	Drawing connection shaft	
146	2	0L0861	541612801	Fermo porta	Door stop	
147	3	0L0993	541612500	Tappo	Plug	
163	2	0L1471	543631300	Guarnizione	Gasket	
164	2	0L1470	502697402	Squadretta guarnizione	Gasket cover	
165	2	0L1469	503609200	Rondella quadrata	Square washer	
166	2	0L1597	565615200	Guarnizione guida porta	Door guide gasket	
168	2	0L1528	507690700	Scrocco	Spring latch	
170	1	0L2515	5146A4100	Protezione scarico	Drain screen	From Ser. Nr.: 147
174	8	0L2329	206008195	Rondella 15X28	Washer 15X28	From Ser. Nr.: 020
175	4	0L2324	5146A2401	Distanziale	Spacer	From Ser. Nr.: 020
176	8	0L2328	217018205	Vite M14X20	Screw M14X20	From Ser. Nr.: 020
177	1	0L2167	543633J00	Guarnizione	Gasket	From Ser. Nr.: 020
178	1	0L2311	543633H00	Guarnizione	Gasket	From Ser. Nr.: 020
177	1	0L2167	543633J00	Guarnizione	Gasket	From Ser. Nr.: 020
178	1	0L2311	543633H00	Guarnizione	Gasket	From Ser. Nr.: 020
180	2	0L1704	830632001	Guida cesto	Rack rail	Up to Ser. Nr.: 146
180	2	0L2593	835621X00	Kit guida cesto	Rack rail kit	From Ser. Nr.: 147
181	6	0L2443	W00017300	Boccola aggancio slitta	Trail lock device	Up to Ser. Nr.: 146
181	6	0L2520	547604800	Boccola aggancio slitta	Trail lock device	From Ser. Nr.: 147
182	12	0L2174	549646100	Distanziale	Roller spacer	From Ser. Nr.: 147
183	6	0L2522	219614400	Anello di tenuta	Retainer ring	From Ser. Nr.: 147
184	6	0L2521	5066A0R00	Dischetto contenimento rulli	Flanged washer	From Ser. Nr.: 147



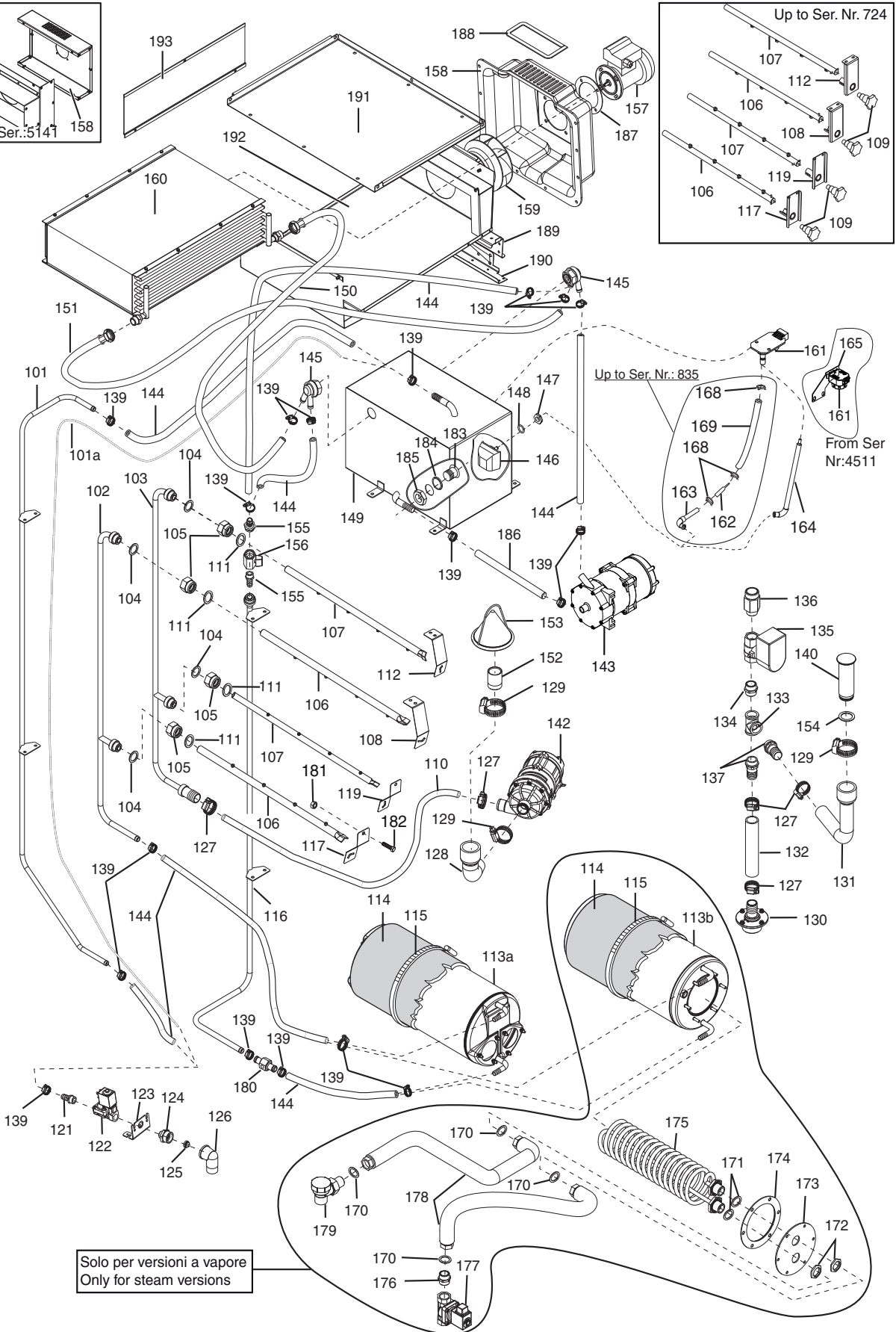
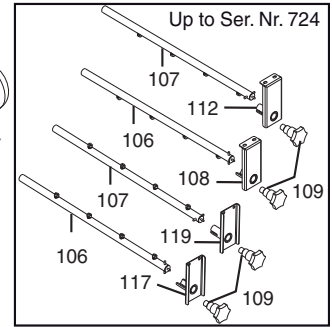
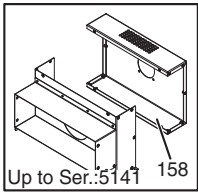
III. 652001p6A

Prelavaggio da 1490, vista generale/ Prewash from 1490, Main view

Da Ser.Nr./From Ser.nr.: 544

Pos.	Q.tà Q.ty	Cod.ric. Part No.	Cod. Fab. Fac. code	Descrizione	Description	Note Notes
101	1	0L0897	830652402	Copertura mobile CU	CU mobile cover	Up to Ser. Nr.: 5141
101	1	0LXXXX	83065GB00	Copertura mobile CU	CU mobile cover	From Ser. Nr.: 5151
102	1	0L0885	830651800	Copertura fissa CU	CU fixed cover	
103	1	0L0889	830653200	Schienale sinistro	Left back panel	
104	1	0L0884	830653102	Schienale destro	Right back panel	
105	1	0L0880	830638303	Pannello destro	Right panel	
106	1	0L0875	543629700	Guarnizione	Gasket	
107	2	0L0877	800667301	Tappo CU	CU plug	
108	2	0L0876	543631001	Guarnizione tappo CU	CU plug gasket	
109	1	0L1169	830643200	Supporto pannello	Panel support	Up to Ser. Nr.: 724
109	1	0L1473	502697703	Supporto pannello	Panel support	From Ser. Nr.: 725 Up to Ser. Nr.: 810
109	1	0L1169	830643202	Supporto pannello	Panel support	From Ser. Nr.: 811
110	1	0L0833	830637201	Guida porta destra	Right door rail	
111	1	0L0832	830637101	Guida porta sinistra	Left door rail	
112	1	0L0856	830641103	Pannello stretto	Slim panel	
113	1	0L0862	502697901	Supporto pannello	Panel support	Up to Ser. Nr.: 724
113	1	0L1474	502697902	Supporto pannello	Panel support	From Ser. Nr.: 725 Up to Ser. Nr.: 810
113	1	0L1049	830643001	Supporto pannello	Panel support	From Ser. Nr.: 811
114	1	0L0989	835620602	Porta	Door	
115	3	0E2898	W00143601	Supporto molla	Spring support	
116	1	0L0896	504696502	Paraspruzzi	Splashguard	
117	4	0L0839	549644800	Perno aggancio	Locking stud	
118	1	0L0891	503610001	Pannello inferiore	Lower panel	
119	1	0L0886	503604501	Carter	Carter	Up to Ser. Nr.: 616
119	1	0L1177	503614102	Carter	Carter	From Ser. Nr.: 617
119	1	0L1177	503614102	Carter	Carter	Up to Ser. Nr.: 5141
119	1	0LXXXX	50361CY00	Carter	Carter	From Ser. Nr.: 5151
120	5	0L0842	504696100	Dente traino destro	Right rack tooth	Up to Ser. Nr.: 638
120	5	0L1314	5046A3800	Dente traino destro	Right rack tooth	From Ser. Nr.: 639
121	5	0L0843	504696200	Dente traino sinistro	Left rack tooth	Up to Ser. Nr.: 638
121	5	0L1315	5046A3900	Dente traino sinistro	Left rack tooth	From Ser. Nr.: 639
122	1	0L0956	830632500	Slitta	Slide	Up to Ser. Nr.: 638
122	1	0L1304	830632503	Slitta	Slide	From Ser. Nr.: 639
123	1	0L0827	543630300	Guarnizione	Gasket	
124	2	0L0992	502697601	Copertura orizzontale guarnizione	Gasket horizontal cover	
125	2	0L0991	502697501	Copertura verticale guarnizione	Gasket hertical cover	
126	1	0L2968	149600700	Tubo 8X6	Hose 8X6	
127	2	0L0853	503603601	Piedi telaio	Frame feet	
128	1	0L0854	502696002	Supporto piede	Feet support	
129	1	0L0874	541613001	Tendina traino	Drawing cultrain	Up to Ser. Nr.: 835
129a	1	0L1946	830654Q00	Tendina traino	Drawing cultrain	From Ser. Nr.: 836
130	2	0L0955	805662800	Sostegno tendina	Curtain support	
131	1	0L0873	514699200	Asse tendina	Curtain rod	Up to Ser. Nr.: 835
132	1	0L0850	541612302	Tendina doppia lunga	Double long curtain	Up to Ser. Nr.: 928
132	1	0L1732	541617000	Tendina doppia lunga	Double long curtain	From Ser. Nr.: 929

Prelavaggio da 1490, vista generale Prewash from 1490, Main view				ill. 652001p6A	Grassetto = variazioni Bold Print = changes	
Pos.	Q.tà Q.ty	Cod.ric. Part No.	Cod. Fab. Fac. code	Descrizione	Description	Note Notes
133	2	0L0852	800667800	Sostegno tendina singola corta	Single short curtain support	
134	2	0E5826	RT0003700	Asse tendina	Curtain rod	
135	2	0L0870	505600000	Gancio tendina	Curtain hook	Up to Ser. Nr.: 616
135	2	0L1172	505600001	Gancio tendina	Curtain hook	From Ser. Nr.: 617
136	1	0L0851	541612402	Tendina singola corta	Single short curtain	Up to Ser. Nr.: 928
136	1	0L1733	541617100	Tendina singola corta	Single short curtain	From Ser. Nr.: 929
137	2	0L0871	507687300	Gancio tendina	Curtain hook	
139	1	0L0859	502696105	Fianco inferiore destro	Right lower flank	
140	3	0L0857	515659300	Camicia molla	Coil sleeve	
141a	4	0L0858	546631000	Boccola molla	Spring bush	
141b	2	0L1170	546631100	Boccola molla	Spring bush	
142a	2	0E5158	W00093200	Molla	Spring	
142b	1	0E5167	W00093300	Molla	Spring	
143	2	0L0828	805662501	Fianco copertura CU	CU cover flank	From Ser. Nr.: 724
143	2	0L1584	830651401	Fianco copertura CU	CU cover flank	From Ser. Nr.: 725
144	1	0L0984	830641003	Pannello	Panel	
145	2	0L0841	514695200	Asse collegamento traino	Drawing connection shaft	
146	1	0L0867	503607302	Rinforzo CU	CU reinforcement	
147	3	0L0993	541612500	Tappo	Plug	
148	2	0L0861	541612801	Fermo porta	Door stop	
163	2	0L1471	543631300	Guarnizione	Gasket	
164	2	0L1470	502697402	Squadretta guarnizione	Gasket cover	
165	2	0L1469	503609200	Rondella quadrata	Square washer	
166	2	0L1597	565615200	Guarnizione guida porta	Door guide gasket	
168	2	0L1528	507690700	Scrocco	Spring latch	
170	1	0L2515	5146A4100	Protezione scarico	Drain screen	From Ser. Nr.: 147
174	8	0L2329	206008195	Rondella 15X28	Washer 15X28	From Ser. Nr.: 020
175	4	0L2324	5146A2401	Distanziale	Spacer	From Ser. Nr.: 020
176	8	0L2328	217018205	Vite M14X20	Screw M14X20	From Ser. Nr.: 020
177	1	0L2167	543633J00	Guarnizione	Gasket	From Ser. Nr.: 020
178	1	0L2311	543633H00	Guarnizione	Gasket	From Ser. Nr.: 020
180	2	0L1642	830632101	Guida cesto	Rack rail	Up to Ser. Nr.: 146
180	2	0L2595	835621Z00	Kit guida cesto	Rack rail kit	From Ser. Nr.: 147
181	6	0L2443	W00017300	Boccola aggancio slitta	Trail lock device	Up to Ser. Nr.: 146
181	6	0L2520	547604800	Boccola aggancio slitta	Trail lock device	From Ser. Nr.: 147
182	12	0L2174	549646100	Distanziale	Roller spacer	From Ser. Nr.: 147
183	6	0L2522	219614400	Anello di tenuta	Retainer ring	From Ser. Nr.: 147
184	6	0L2521	5066A0R00	Dischetto contenimento rulli	Flanged washer	From Ser. Nr.: 147



Solo per versioni a vapore
Only for steam versions

ill. 652001p7

Risciacquo da 600, Circuito Idraulico/ Rinse from 600, Hydraulic circuit

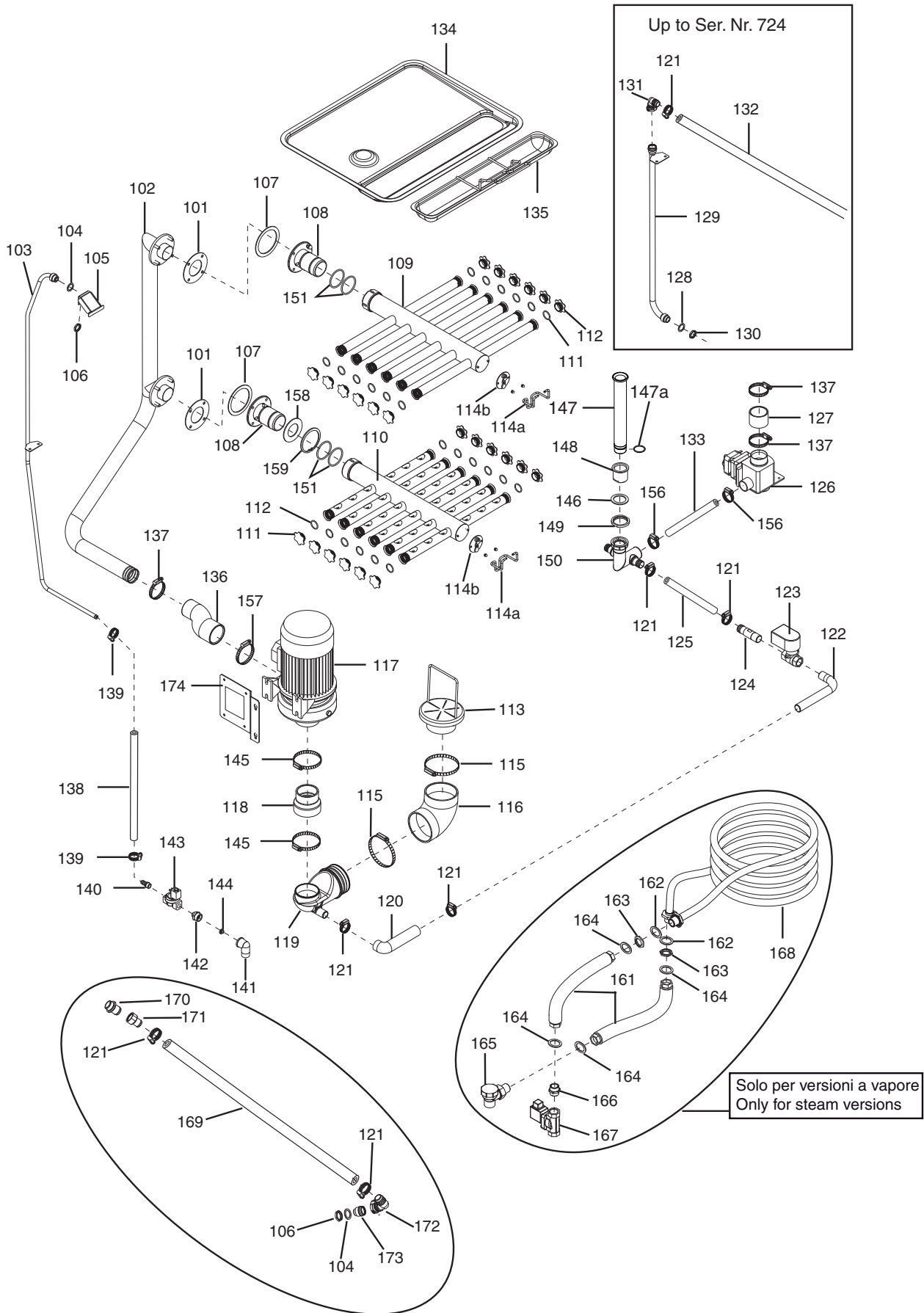
Da Ser.Nr./From Ser.nr.: 544

Risciacquo da 600, Circuito Idraulico				ill. 652001p7		Grassetto = variazioni
Rinse from 600, Hydraulic circuit						Bold Print = changes
Pos.	Q.tà Q.ty	Cod.ric. Part No.	Cod. Fab. Fac. code	Descrizione	Description	Note Notes
101	1	0L0982	830639101	Tubo caricamento air gap	Air gap feeding pipe	Up to Ser. Nr.: 928
101a	4m	048531	140066039	Tubo caricamento air gap	Air gap feeding pipe	From Ser. Nr.: 929 Up to Ser. Nr.: 045
101a	2m	049379	140066047	Tubo caricamento air gap	Air gap feeding pipe	From Ser. Nr.: 046
102	1	0L0979	830637601	Tubo risciacquo	Rinse pipe	Up to Ser. Nr.: 928
102	1	0L1287	830648900	Tubo risciacquo	Rinse pipe	From Ser. Nr.: 929
103	1	0L0980	830637701	Tubo Duo	Duo Pipe	
104	4	0E5122	W00500800	Guarnizione	Gasket	Up to Ser.Nr.: 045
104	4	0L2402	569608800	Guarnizione	Gasket	From Ser.Nr.: 046
105	4	0L0907	514698201	Dado bracci risciacquo/Duo	Rinse/Duo arms nut	
106	2	0L0966	830634001	Braccio risciacquo	Rinse arm	Up to Ser. Nr.: 724
106	2	0L1467	830650900	Braccio risciacquo (rinse flow 5 lt/ min)	Rinse arm (rinse flow 5 lt/ min)	Not for WTM140 From Ser. Nr.: 725 Up to Ser. Nr.: 146
106	2	0L2631	830657N00	Braccio risciacquo (rinse flow 5 lt/ min)	Rinse arm (rinse flow 5 lt/ min)	Not for WTM140 From Ser. Nr.:147
106	2	0L1468	830651100	Braccio risciacquo (rinse flow 4 lt/ min)	Rinse arm (rinse flow 4 lt/ min)	For WTM140 From Ser. Nr.: 725 Up to Ser. Nr.: 146
106	2	0L2529	830657M00	Braccio risciacquo (rinse flow 4 lt/ min)	Rinse arm (rinse flow 4 lt/ min)	For WTM140 From Ser. Nr.: 147
107	2	0L0967	830634201	Braccio Duo	Duo arm	Up to Ser. Nr.: 724
107	2	0L1466	830651000	Braccio Duo	Duo arm	From Ser. Nr.: 725 Up to Ser. Nr.: 146
107	2	0L2633	830657P00	Braccio Duo	Duo arm	From Ser. Nr.: 147
108	1	0L0970	830634500	Supporto braccio super. risciacquo	Rinse upper arm support	Up to Ser. Nr.: 724
108	1	0L1462	5056A0700	Molla superiore risciacquo	Rinse upper spring	From Ser. Nr.: 725 Up to Ser. Nr.: 146
108	1	0L2517	5056A1H00	Molla superiore risciacquo	Rinse upper spring	From Ser. Nr.: 147
109	4	0L0929	544635300	Manopola	Knob	Up to Ser. Nr.: 724
110	1	049773	140066100	Tubo 25.5X36	Hose 25.5X36	
111	4	0E5118	W00524500	O-ring 17.3 X 2.4	O-ring 17.3 X 2.4	
112	1	0L0971	830634600	Supporto braccio superiore Duo	Duo upper arm support	Up to Ser. Nr.: 724
112	1	0L1464	5056A0900	Supporto braccio infer. risciacquo	Rinse lower arm support	From Ser. Nr.: 725 Up to Ser. Nr.: 146
112	1	0L2636	5056A1K00	Supporto braccio infer. risciacquo	Rinse lower arm support	From Ser. Nr.: 147
113a	1	0L0990	850656900	Boiler elettrico	Electrical boiler	Up to Ser. Nr.: : 851
113a	1	0L1955	850663700	Boiler elettrico	Electrical boiler	From Ser. Nr.: 852 Up to Ser. Nr.: 021
113a	1	0L0990	850656901	Boiler elettrico	Electrical boiler	From Ser. Nr.: 022
113b	1	0L1562	830649500	Boiler vapore	Steam boiler	Up to Ser. Nr.: : 851
113b	1	0L1960	850663600	Boiler vapore	Steam boiler	From Ser. Nr.: 852 Up to Ser. Nr.: 021
113b	1	0L1562	830649501	Boiler vapore	Steam boiler	From Ser. Nr.: 022
114	1	049863	569606600	Isolante boiler	Boiler insulation	
115	2	0L2551	518684F00	Fascetta 200-220/12 (INOX)	Clamp 200-220/12 (SS)	
116	1	0L0983	830639201	Tubo caricamento boiler	Boiler feeding pipe	Up to Ser. Nr.: 928
116	4m	048531	140066039	Tubo caricamento boiler	Boiler feeding pipe	From Ser. Nr.: 929

Risciacquo da 600, Circuito Idraulico				ill. 652001p7		Grassetto = variazioni
Rinse from 600, Hydraulic circuit						Bold Print = changes
Pos.	Q.tà Q.ty	Cod.ric. Part No.	Cod. Fab. Fac. code	Descrizione	Description	Note Notes
117	1	0L0968	830634300	Supporto braccio infer. risciacquo	Rinse lower arm support	Up to Ser. Nr.: 724
117	1	0L1463	5056A0800	Molla inferiore risciacquo	Rinse lower spring	From Ser. Nr.: 725 Up to Ser. Nr.: 146
117	1	0L2518	5056A1J00	Molla inferiore risciacquo	Rinse lower spring	From Ser. Nr.: 147
119	1	0L0969	830634400	Supporto braccio inferiore Duo	Duo lower arm support	Up to Ser. Nr.: 724
119	1	0L1465	5056A1000	Molla inferiore Duo	Duo lower spring	From Ser. Nr.: 725 Up to Ser. Nr.: 146
119	1	0L2637	5056A1L00	Molla inferiore Duo	Duo lower spring	From Ser. Nr.: 147
121	1	0L0477	514694300	Portagomma 3/8" G	Hose holder 3/8" G	
122	1	0L2516	696618500	Elettrovalvola	Solenoid valve	
123	1	0L0899	507690601	Supporto elettrovalvola	Solenoid valve support	
124	1	0L0479	515655400	Nipplo 3/4-3/8"	Nipple 3/4-3/8"	
125	1	0L0178	549642800	Parzializzatore 20 l/min	Shutter 20 l/min	
126	1	049679	544628400	Raccordo a gomito 3/4"	Elbow fitting 3/4"	
127	5	047578	518604001	Fascetta 25-40/9	Clamp 25-40/9	
128	1	0L0937	544681500	Tube aspirazione pompa Duo	Duo rinse suction pipe	
129	3	046878	518602701	Fascetta 35-50/9	Clamp 35-50/9	
130	1	0L0938	544681600	Raccordo di scarico 1 1/2	Drain fitting 1 1/2	
131	1	0L0931	544635800	Tube troppopieno	Overflow hose	
132		049287	140066043	Tube 25.5x32	Hose 25.5x32	
133	1	0E5522	W00528200	Raccordo a T	T fitting	
134	1	072457	W00526300	Nipplo 3/4"-3/4"	Nipple 3/4"-3/4"	
135	1	0L0949	696616600	Elettrovalvola	Solenoid valve	
136	1	0L0906	514697701	Nipplo 1"-3/4"	Nipple 1"-3/4"	
137	2	0E2594	W00502900	Portagomma 3/4" x 25	Hose holder 3/4" x 25	
138	2	049888	518613100	Fascetta 12-22/9 (INOX)	Clamp 12-22/9 (Stainless steel)	From Ser. Nr.: 147
139	12	048126	518609801	Fascetta 12-22/9	Clamp 12-22/9	
140	1	0L0904	514696201	Troppopieno	Overflow	
142	1	0L0947	611630600	Pompa Duo	Duo pump	
143	1	0L1384	611634600	Pompa risciacquo	Rinse pump	
144		048531	140066039	Tube 12X19.5 mm	Hose 12X19.5 mm	
145	2	049332	544625400	Valvola DVGW	DVGW valve	Up to Ser. Nr.: 835
145	2	0L1892	544685800	Valvola DVGW	DVGW valve	From Ser. Nr.: 836
146	1	048308	542604901	Trappola d'aria	Air trap	
147	1	049268	544623800	Dado M14x1.5	Nut M14x1.5	
148	1	068642	246035800	O-ring 2.62x15.54	O-ring 2.62x15.54	
149	1	0L0900	509610601	Air gap	Air gap	Up to Ser. Nr.: 616
149	1	0L1174	509610602	Air gap	Air gap	From Ser. Nr.: 617
149	1	0L1174	509610602	Air gap	Air gap	Up to Ser Nr: 4501
149	1		83065F900	Air gap	Air gap	From Ser. Nr: 4511
150	1	0L0988	830642900	Tube scarico CU	CU drain hose	
151	1	0L0987	830642800	Tube alimentazione CU	CU feeding hose	
152	1	0E5518	W00103300	Mozzo per filtro	Filter hub	
153	1	0E5186	W00108901	Filtro	Filter	
154	1	0L1277	543633300	O-ring 26.58X3.53	O-ring 26.58X3.53	
155	1	0L0040	514692200	Portagomma 1/2"	Hose holder 1/2"	
156	1	0L1351	514600200	Rubinetto	Gate valve	

Da Ser.Nr./From Ser.nr.: 544

Risciacquo da 600, Circuito Idraulico				ill. 652001p7		Grassetto = variazioni
Rinse from 600, Hydraulic circuit						Bold Print = changes
Pos.	Q.tà Q.ty	Cod.ric. Part No.	Cod. Fab. Fac. code	Descrizione	Description	Note Notes
157	1	0L0946	611630400	Motore ventola CU	CU fan motor	
158	1	0L0952	800668201	Supporto motore	Motor support	Up to Ser. Nr: 5141
158	1	0L3569	541618H00	Supporto motore	Motor support	From Ser Nr: 5151
159	1	0L0941	549644900	Ventola CU	CU fan	
160	1	0L0902	511620000	Scambiatore aria-acqua	Water-air heat exchanger	Up to Ser. Nr: 5141
160	1	0L3573	511621200	Scambiatore aria-acqua	Water-air heat exchanger	From Ser Nr: 5151
161	1	0L1132	673608302	Scheda sensore pressione	Air break pressure sensor	Up to Ser. Nr: 4501
161	1	0L2845	673611M00	Scheda sensore pressione	Air break pressure sensor	From Ser Nr: 4511
162	1	0L1530	544681701	Riduzione tubo	Mec pressure sensor plug	Up to Ser. Nr.: 835
163	1	049904	544633000	Tubo pressostato	Pressure sensor hose	Up to Ser. Nr.: 835
164	1	0L1909	544685A00	Tubo trappola d'aria	Air trap hose	Up to Ser. Nr: 4501
164	1	0L3088	544688D00	Tubo trappola d'aria	Air trap hose	From Ser. Nr: 4511
165	1	0L3302	5056A2M01	Supporto sensore di pressione	Air sensor support	From Ser Nr: 4511
168	3	0L0082	518613000	Fascetta 7.3-7.8	Clamp 7.3-7.8	Up to Ser. Nr.: 835
168	2	0L0083	518613800	Fascetta 9.9-9.3	Clamp 7.3-7.8	From Ser. Nr.:4511
169	0.15m	0L1577	544630001	Tubo	Hose	Up to Ser. Nr.: 835
170	4	0L1560	543633500	Guarnizione	Gasket	Up to Ser. Nr.: 019
170	4	0L2236	543633L00	Guarnizione	Gasket	From Ser. Nr.: 020
171	2	0L1561	543633600	O-ring 29.82X2.62	O-ring 29.82X2.62	
172	2	0E5056	W00525500	Dado 3/4"	Nut 3/4"	
173	1	0L1599	5046A4100	Flangia	Flange	
174	1	0L1559	543633401	Guarnizione	Gasket	
175	1	0L1554	515663800	Serpentina vapore	Steam coil	
176	1	072457	W00526300	Nipplo	Nipple	
177	1	0L1481	696617600	Elettrovalvola vapore	Steam solenoid valve	
178	2	0L1558	515664500	Tubo	Hose	
179	1	0E0153	W00513200	Scaricatore di condensa	Steam drain	
180	1	0E3080	W00502600	Raccordo	Fitting	
181	1	0TH077	218574005	Dado M6	Nut M6	From Ser. Nr.: 147
182	1	0L2413	217014145	Vite M6X16mm	Bolt M6X16mm	From Ser. Nr.: 147
183	1	0L3493	5146A8100	Tappo a calotta	Plug	From Ser Nr:4511
184	1	0L2305	543633X00	OR 3062 3.62x15.54	OR 3062 3.62x15.54	From Ser Nr:4511
185	1	0H2610	W00525300	Dado esagonale 1/4"	Hex nut 1/4"	From Ser Nr:4511
186	1	0L2045	544685B00	Tubo aspirazione pompa risciacquo	Hose suction rinse pump	From Ser Nr:4511
187	1	0L3570	543635S00	Guarnizione motore CU	CU motor gasket	From Ser Nr: 5151
188	1	0L0689	140036014	Guarnizione supporto motore CU	Gasket for CU motor sup- port	From Ser Nr: 5151
189	1	0L3567	83065D800	Base supporto CU	Bracket for CU support	From Ser Nr: 5151
190	1	0L3568	83065D901	Sostegno per supporto CU	Bracket for CU support	From Ser Nr: 5151
191	1	0L3560	5046AB901	Coperchio CU	Top CU cover	From Ser Nr: 5151
192	1	0L3566	83065D600	Supporto CU	CU support	From Ser Nr: 5151
193	1	0L3561	83065DD01	Copertura posteriore CU	Back CU cover	From Ser Nr: 5151



iii. 652001p8A

Lavaggio da 1165, Circuito Idraulico/ Wash from 1165, Hydraulic circuit

Da Ser.Nr./From Ser.nr.: 544

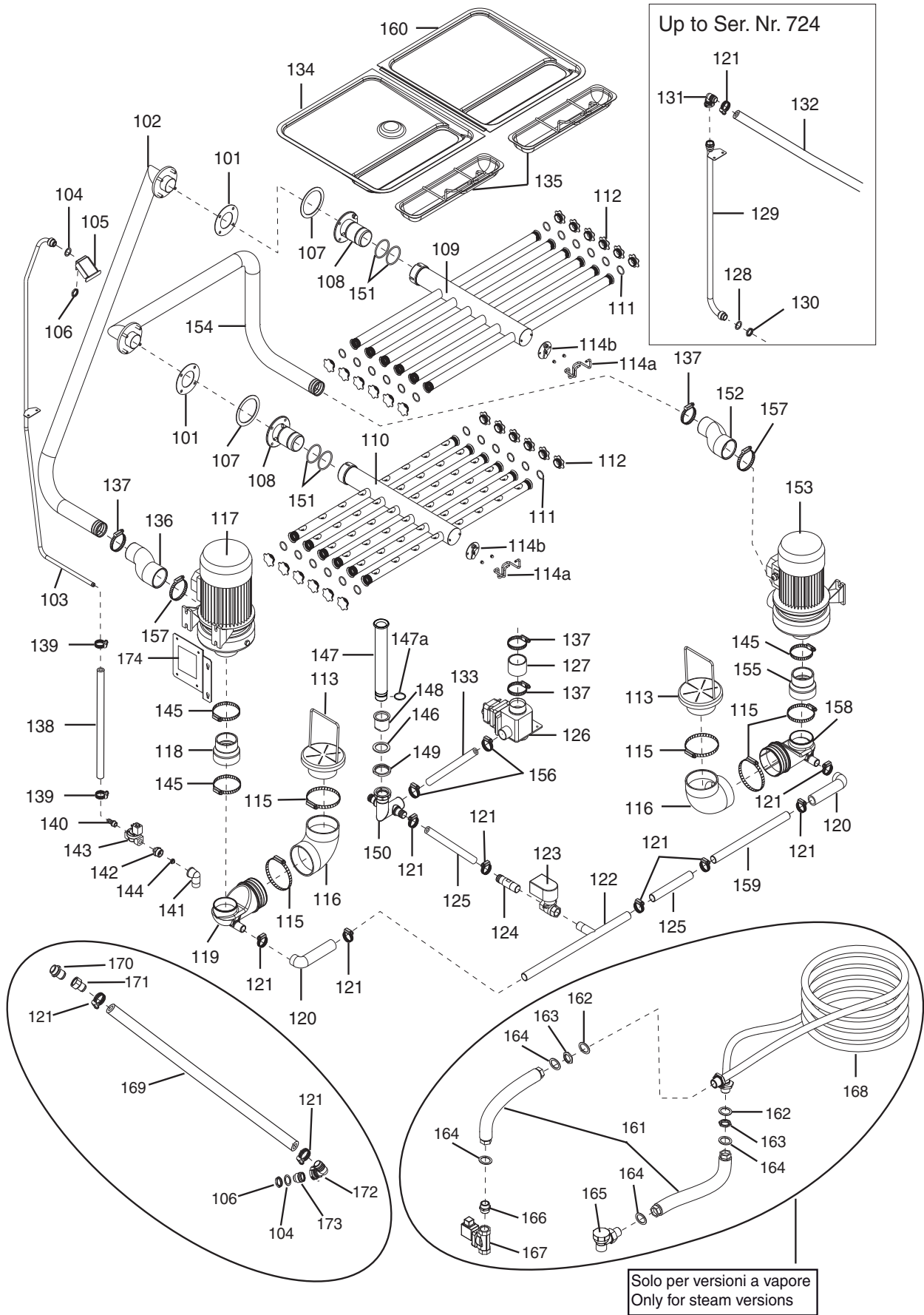
Lavaggio da 1165, Circuito Idraulico Wash from 1165; Hydraulic circuit				ill. 652001p8A	Grassetto = variazioni Bold Print = changes	
Pos.	Q.tà Q.ty	Cod.ric. Part No.	Cod. Fab. Fac. code	Descrizione	Description	Note Notes
101	2	0L0919	543629400	Guarnizione	Gasket	
102	1	0L0957	830632601	Tubo lavaggio	Wash pipe	Up to Ser. Nr.: 616
102	1	0L1187	830632603	Tubo lavaggio	Wash pipe	From Ser. Nr.: 617
103	1	0L0981	830637801	Tubo caricamento vasca	Tank feeding pipe	Up to Ser. Nr.: 928
103	1	0L1508	830649701	Tubo caricamento vasca	Tank feeding pipe	From Ser. Nr.: 929
104	1	0E5122	W00500800	Guarnizione	Gasket	Up to Ser.Nr.: 045
104	1	0L2402	569608800	Guarnizione	Gasket	From Ser.Nr.: 046
105	1	0E5848	RT0011900	Paraspruzzi ingresso	Inlet splashguard	
106	2	0E5424	W00525400	Dado 1/2" G	Nut 1/2" G	
107	2	0L0923	543632400	O-ring 65.09x3.53	O-ring 65.09x3.53	
108	2	0L0961	830633100	Innesto bracci lavaggio	Wash arms fitting	Up to Ser. Nr.: 616
108	2	0L1188	830633101	Innesto bracci lavaggio	Wash arms fitting	From Ser. Nr.: 617
109	1	0L0965	830633502	Braccio lavaggio	Washing arm	Right machine Up to Ser. Nr.: 810
109	1	0L1751	830654500	Braccio lavaggio	Washing arm	Right machine From Ser. Nr.: 811
109	1	0L1751	830654500	Braccio lavaggio	Washing arm	Right machine Up to Ser. Nr.: 5051
109	1	0L3475	83065FY00	Braccio lavaggio	Washing arm	Right machine From Ser. Nr.: 5061
109	1	0L0965	830633402	Braccio lavaggio	Washing arm	Left machine Up to Ser. Nr.: 810
109	1	0L1751	830654500	Braccio lavaggio	Washing arm	Left machine From Ser. Nr.: 811
109	1	0L1751	830654500	Braccio lavaggio	Washing arm	Left machine Up to Ser. Nr.: 5051
109	1	0L3475	83065FY00	Braccio lavaggio	Washing arm	Left machine From Ser. Nr.: 5061
110	1	0L0964	830633402	Braccio lavaggio	Washing arm	Right machine Up to Ser. Nr.: 810
110	1	0L1750	830654400	Braccio lavaggio	Washing arm	Right machine From Ser. Nr.: 811
110	1	0L1750	830654400	Braccio lavaggio	Washing arm	Right machine Up to Ser. Nr.: 5051
110	1	0L3476	83065FZ00	Braccio lavaggio	Washing arm	Right machine From Ser. Nr.: 5061
110	1	0L0964	830633502	Braccio lavaggio	Washing arm	Left machine Up to Ser. Nr.: 810
110	1	0L1750	830654400	Braccio lavaggio	Washing arm	Left machine From Ser. Nr.: 811
110	1	0L1750	830654400	Braccio lavaggio	Washing arm	Left machine Up to Ser. Nr.: 5051
110	1	0L3476	83065FZ00	Braccio lavaggio	Washing arm	Left machine From Ser. Nr.: 5061
111	24	0L0922	543632300	O-ring 26,65x2,62	O-ring 26,65x2,62	
112	24	0L0978	830637000	Tappo	Plug	Up to Ser. Nr.: 810
112	24	0L1711	541617400	Tappo	Plug	From Ser. Nr.: 811
113	1	0L0951	800666601	Filtro aspirazione	Suction filter	
114a	2	0L0905	514697101	Aggancio bracci	Arms lock	Up to Ser. Nr.: 928
114a	2	0L2087	5146A2I00	Aggancio bracci	Arms lock	From Ser. Nr.: 929
114b	2	0L1370	800669401	Coperchio aggancio bracci	Arms coupling cover	

Da Ser.Nr./From Ser.nr.: 544

Lavaggio da 1165, Circuito Idraulico Wash from 1165; Hydraulic circuit				ill. 652001p8A	Grassetto = variazioni Bold Print = changes	
Pos.	Q.tà Q.ty	Cod.ric. Part No.	Cod. Fab. Fac. code	Descrizione	Description	Note Notes
115	2	0L0915	518682700	Fascetta 100-120	Clamp 100-120	
116	1	0L0930	544635700	Manicotto aspirazione pompa	Pump suction hose	
117	1	0L0942	611629800	Pompa	Pump	Up to Ser. Nr.: 3241
117	1	0L3037	611637R00	Pompa	Pump	From Ser. Nr.: 3251
118	1	0L0932	544639500	Manicotto aspirazione	Suction hose	Up to Ser. Nr.: 3241
118	1	0L0924	544629200	Manicotto aspirazione	Suction hose	From Ser. Nr.: 3251
119	1	0L0928	544635200	Collettore aspirazione	Suction manifold	
120	1	049880	544631300	Manicotto aspirazione	Suction hose	
121	6	047578	518604001	Fascetta 25-40	Clamp 25-40	
122	1	0L0910	515660200	Tubo a gomito	Elbow pipe	
123	1	0L0949	696616600	Elettrovalvola	Solenoid valve	
124	1	0L0912	515660400	Tubo 26.9X2	Pipe 26.9X2	
125		049287	140066043	Tubo 25.5X3.75	Pipe 25.5X3.75	
126	1	0L2506	696618600	Elettrovalvola di scarico	Drain solenoid valve	
127	1	0L0934	544639900	Manicotto scarico vasca	Tank drain hose	
128	1	0E5122	W00500800	Guarnizione	Gasket	Up to Ser. Nr.: 724
129	1	0L0986	830641700	Tubo ingresso detergente	Detergent inlet pipe	Up to Ser. Nr.: 724
130	1	0E5424	W00525400	Dado 1/2"	Nut 1/2"	Up to Ser. Nr.: 724
131	1	0L0918	541613400	Raccordo innesto	Plug fitting	Up to Ser. Nr.: 724
132	1	0L0940	544683200	Tubo 20x3	Hose 20x3	Up to Ser. Nr.: 724
133	1	0L0939	544683100	Tubo 40x5	Hose 40x5	
134	1	0L0892	504694300	Filtro vasca	Tank filter	
135	1	0L0973	830634900	Filtro a cestello	Basket filter	
136	1	0L0936	544640100	Manicotto mandata	Delivery hose	Up to Ser. Nr.: 1324
136	1	0L1267	544683300	Manicotto mandata	Delivery hose	From Ser. Nr.: 1325
137	2	046855	518602801	Fascetta 50-70	Clamp 50-70	
138		048531	140066039	Tubo 11.5x19.5	Hose 11.5x19.5	Up to Ser. Nr.: 045
138	1m	049379	140066047	Tubo 11.5x19.5	Hose 11.5x19.5	From Ser. Nr.: 046
139	2	048126	518609801	Fascetta 12-22	Clamp 12-22	
140	1	0L0477	514694300	Portagomma 3/8" G	Hose holder 3/8" G	
141	1	049679	544628400	Raccordo a gomito 3/4"	Elbow fitting 3/4"	
142	1	0L0479	515655400	Nipplo 3/4"-3/8" G	Nipple 3/4"-3/8" G	
143	1	0L2516	696618500	Elettrovalvola	Solenoid valve	
144	1	0L0178	549642800	Parzializzatore 20 l/min	Shutter 20 l/min	
145	2	0L0914	518682600	Fascetta 80-100	Clamp 80-100	
146	1	065506	246037900	O-ring 42.86x3.53	O-ring 42.86x3.53	
147	1	0L0908	515657800	Troppopieno	Overflow	Up to Ser. Nr.: 712
147	1	0L1430	515657801	Troppopieno	Overflow	From S. Nr. 713 Up to S. Nr. 019
147	1	0L2295	830657300	Troppopieno + o-ring	Overflow + o-ring	From Ser. Nr.: 020
147a	1	0L2359	543634100	O-ring per troppopieno	O-ring for overflow	
148	1	075624	511607200	Piletta di scarico	Drain	
149	1	066079	215190400	Dado 1 1/2"	Nut 1 1/2"	
150	1	0L0953	805659801	Collettore scarico lavaggio	Wash drain manifold	
151	4	0L1276	543633200	O-ring 0500-30 50X3	O-ring 0500-30 50X3	
156	2	0L0193	518614400	Fascetta 40-60	Clamp 40-60	
157	1	046853	518602901	Fascetta 60-80	Clamp 60-80	
158	1	0L1185	5026A3000	Parzializzatore M1165	Shutter M1165	From Ser. Nr.: 617
159	1	0L1189	219065212	Anello 52 UNI 7437	Ring 52 UNI 7437	From Ser. Nr.: 617

Da Ser.Nr./From Ser.nr.: 544

Lavaggio da 1165, Circuito Idraulico Wash from 1165; Hydraulic circuit				ill. 652001p8A		Grassetto = variazioni Bold Print = changes
Pos.	Q.tà Q.ty	Cod.ric. Part No.	Cod. Fab. Fac. code	Descrizione	Description	Note Notes
161	2	0L1557	515664100	Tubo	Hose	
162	2	0L1561	543633600	O-ring 29.82X2.62	O-ring 29.82X2.62	
163	2	0E5056	W00525500	Dado 3/4"	Nut 3/4"	
164	4	0L1560	543633500	Guarnizione	Gasket	Up to Ser. Nr.: 019
164	4	0L2236	543633L00	Guarnizione	Gasket	From Ser. Nr.: 020
165	1	0E0153	W00513200	Scaricatore di condensa	Steam drain	
166	1	072457	W00526300	Nipplo	Nipple	
167	1	0L1481	696617600	Elettrovalvola vapore	Steam solenoid valve	
168	1	0L1571	515662800	Serpentina vapore	Steam coil	
169	0.8 mt	0L2426	140600300	Tubo 20x3	Hose 20x3	Only for 140 From Ser. Nr.: 046
169	1.4 mt	0L2426	140600300	Tubo 20x3	Hose 20x3	Only for 180 From Ser. Nr.: 046
169	2.1 mt	0L2426	140600300	Tubo 20x3	Hose 20x3	Only for 250 From Ser. Nr.: 046
170	1	0L2423	5146A3B00	Portagomma G 1/2" M	Hose holder G 1/2" M	From Ser. Nr.: 046
171	1	0L2424	5146A3C00	Portagomma G 1/2" F	Hose holder G 1/2" F	From Ser. Nr.: 046
172	1	0L0918	541613400	Raccordo a gomito	Elbow fitting	From Ser. Nr.: 046
173	1	0L2425	5146A0100	Raccordo	Fitting	From Ser. Nr.: 046
174	1	0L3456	5046A8U00	Pomp bracket	Supporto pompa	From Ser. Nr.: 3125



ill. 652001p9

Lavaggio da 1490, Circuito Idraulico/ Wash from 1490, Hydraulic circuit

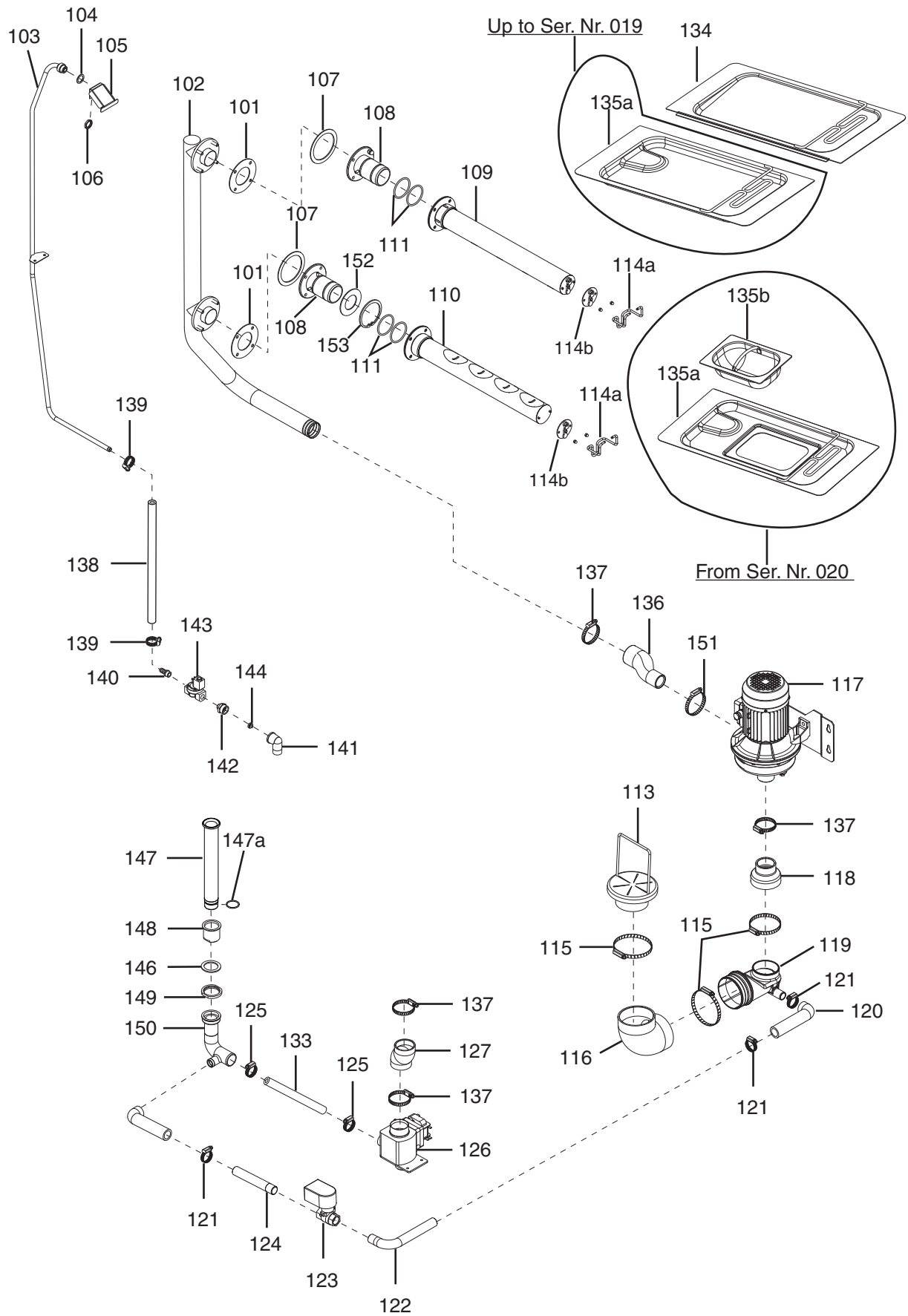
Da Ser.Nr./From Ser.nr.: 544

Lavaggio da 1490, Circuito Idraulico Wash from 1490; Hydraulic circuit				ill. 652001p9	Grassetto = variazioni Bold Print = changes	
Pos.	Q.tà Q.ty	Cod.ric. Part No.	Cod. Fab. Fac. code	Descrizione	Description	Note Notes
101	2	0L0919	543629400	Guarnizione	Gasket	
102	1	0L0960	830632902	Tubo lavaggio superiore	Upper wash pipe	
103	1	0L0981	830637801	Tubo caricamento vasca	Tank feeding pipe	Up to Ser. Nr.: 928
103	1	0L1508	830649701	Tubo caricamento vasca	Tank feeding pipe	From Ser. Nr.: 929
104	1	0E5122	W00500800	Guarnizione	Gasket	Up to Ser.Nr.: 045
104	1	0L2402	569608800	Guarnizione	Gasket	From Ser.Nr.: 046
105	1	0E5848	RT0011900	Paraspruzzi ingresso	Inlet splashguard	
106	2	0E5424	W00525400	Dado 1/2" G	Nut 1/2" G	
107	2	0L0923	543632400	O-ring 65.09x3.53	O-ring 65.09x3.53	
108	2	0L0961	830633100	Innesto bracci lavaggio	Wash arms fitting	Up to Ser. Nr.: 616
108	2	0L1188	830633101	Innesto bracci lavaggio	Wash arms fitting	From Ser. Nr.: 617
109	1	0L0963	830633302	Braccio lavaggio	Washing arm	Right machine Up to Ser. Nr.: 810
109	1	0L1749	830654300	Braccio lavaggio	Washing arm	Right machine From Ser. Nr.: 811
109	1	0L1749	830654300	Braccio lavaggio	Washing arm	Right machine Up to Ser. Nr.: 5051
109	1	0L3477	83065G000	Braccio lavaggio	Washing arm	Right machine From Ser. Nr.: 5061
109	1	0L0963	830633202	Braccio lavaggio	Washing arm	Left machine Up to Ser. Nr.: 810
109	1	0L1749	830654200	Braccio lavaggio	Washing arm	Left machine From Ser. Nr.: 811
109	1	0L1749	830654300	Braccio lavaggio	Washing arm	Left machine Up to Ser. Nr.: 5051
109	1	0L3477	83065G000	Braccio lavaggio	Washing arm	Left machine From Ser. Nr.: 5061
110	1	0L0962	830633202	Braccio lavaggio	Washing arm	Right machine Up to Ser. Nr.: 810
110	1	0L1748	830654200	Braccio lavaggio	Washing arm	Right machine From Ser. Nr.: 811
110	1	0L1748	830654200	Braccio lavaggio	Washing arm	Right machine Up to Ser. Nr.: 5051
110	1	0L3478	83065G100	Braccio lavaggio	Washing arm	Right machine From Ser. Nr.: 5061
110	1	0L0962	830633302	Braccio lavaggio	Washing arm	Left machine Up to Ser. Nr.: 810
110	1	0L1748	830654300	Braccio lavaggio	Washing arm	Left machine From Ser. Nr.: 811
110	1	0L1748	830654200	Braccio lavaggio	Washing arm	Left machine Up to Ser. Nr.: 5051
110	1	0L3478	83065G100	Braccio lavaggio	Washing arm	Left machine From Ser. Nr.: 5061
111	24	0L0922	543632300	O-ring 26,65x2,62	O-ring 26,65x2,62	
112	24	0L0978	830637000	Tappo	Plug	Up to Ser. Nr.: 810
112	24	0L1711	541617400	Tappo	Plug	From Ser. Nr.: 811
113	1	0L0951	800666601	Filtro aspirazione	Suction filter	

Lavaggio da 1490, Circuito Idraulico Wash from 1490; Hydraulic circuit				ill. 652001p9	Grassetto = variazioni Bold Print = changes	
Pos.	Q.tà Q.ty	Cod.ric. Part No.	Cod. Fab. Fac. code	Descrizione	Description	Note Notes
114a	2	0L0905	514697101	Aggancio bracci	Arms lock	Up to Ser. Nr.: 928
114a	2	0L2087	5146A2100	Aggancio bracci	Arms lock	From Ser. Nr.: 929
114b	2	0L1370	800669401	Coperchio aggancio bracci	Arms coupling cover	
115	2	0L0915	518682700	Fascetta 100-120	Clamp 100-120	
116	2	0L0930	544635700	Manicotto aspirazione pompa	Pump suction hose	
117	1	0L0942	611629800	Pompa	Pump	Up to Ser. Nr.: 3241
117	1	0L3037	611637R00	Pompa	Pump	From Ser. Nr.: 3251
118	1	0L0932	544639500	Manicotto aspirazione	Suction hose	Up to Ser. Nr.: 3241
118	1	0L0924	544629200	Manicotto aspirazione	Suction hose	From Ser. Nr.: 3251
119	1	0L0928	544635200	Collettore aspirazione sinistro	Left suction manifold	
120	1	049880	544631300	Manicotto aspirazione	Suction hose	
121	10	047578	518604001	Fascetta 25-40	Clamp 25-40	
122	1	0L0913	515660600	Tubo a T	T pipe	
123	1	0L0949	696616600	Elettrovalvola	Solenoid valve	
124	1	0L0912	515660400	Tubo 26.9X2	Pipe 26.9X2	
125		049287	140066043	Tubo 25.5X3.75	Pipe 25.5X3.75	
126	1	0L2506	696618600	Elettrovalvola di scarico	Drain solenoid valve	
127	1	0L0934	544639900	Manicotto scarico vasca	Tank drain hose	
128	1	0E5122	W00500800	Guarnizione	Gasket	Up to Ser. Nr.: 724
129	1	0L0986	830641700	Tubo ingresso detergente	Detergent inlet pipe	Up to Ser. Nr.: 724
130	1	0E5424	W00525400	Dado 1/2"	Nut 1/2"	Up to Ser. Nr.: 724
131	1	0L0918	541613400	Raccordo innesto	Plug fitting	Up to Ser. Nr.: 724
132	1	0L0940	544683200	Tubo 20x3	Hose 20x3	Up to Ser. Nr.: 724
133	1	0L0939	544683100	Tubo 40x5	Hose 40x5	
134	1	0L0894	504694600	Filtro vasca sinistro	Left tank filter	
135	2	0L0972	830634800	Filtro a cestello	Basket filter	
136	1	0L0936	544640100	Manicotto mandata	Delivery hose	Up to Ser. Nr.: 1324
136	1	0L1267	544683300	Manicotto mandata	Delivery hose	From Ser. Nr.: 1325
137	2	046855	518602801	Fascetta 50-70	Clamp 50-70	
138		048531	140066039	Tubo 11.5x19.5	Hose 11.5x19.5	Up to Ser. Nr.: 045
138	1m	049379	140066047	Tubo 11.5x19.5	Hose 11.5x19.5	From Ser. Nr.: 046
139	2	048126	518609801	Fascetta 12-22	Clamp 12-22	
140	1	0L0477	514694300	Portagomma 3/8" G	Hose holder 3/8" G	
141	1	049679	544628400	Raccordo a gomito 3/4"	Elbow fitting 3/4"	
142	1	0L0479	515655400	Nipplo 3/4"-3/8" G	Nipple 3/4"-3/8" G	
143	1	0L2516	696618500	Elettrovalvola	Solenoid valve	
144	1	0L0178	549642800	Parzializzatore 20 l/min	Shutter 20 l/min	
145	2	0L0914	518682600	Fascetta 80-100	Clamp 80-100	
146	1	065506	246037900	O-ring 42.86x3.53	O-ring 42.86x3.53	
147	1	0L0908	515657800	Troppopieno	Overflow	Up to Ser. Nr.: 712
147	1	0L1430	515657801	Troppopieno	Overflow	From S. Nr. 713 Up to S. Nr. 019
147	1	0L2295	830657300	Troppopieno + o-ring	Overflow + o-ring	From Ser. Nr.: 020
147a	1	0L2359	543634100	O-ring per troppopieno	O-ring for overflow	
148	1	075624	511607200	Piletta di scarico	Drain	
149	1	066079	215190400	Dado 1 1/2"	Nut 1 1/2"	
150	1	0L0953	805659801	Collettore scarico lavaggio	Wash drain manifold	
151	4	0L1276	543633200	O-ring 0500-30 50X3	O-ring 0500-30 50X3	

Da Ser.Nr./From Ser.nr.: 544

Lavaggio da 1490, Circuito Idraulico Wash from 1490; Hydraulic circuit				ill. 652001p9	Grassetto = variazioni Bold Print = changes	
Pos.	Q.tà Q.ty	Cod.ric. Part No.	Cod. Fab. Fac. code	Descrizione	Description	Note Notes
152	1	0L0936	544640100	Manicotto mandata	Delivery hose	
153	1	0L0943	611629902	Pompa	Pump	
154	1	0L0959	830632802	Tubo lavaggio inferiore	Lower wash pipe	
155	1	0L0924	544629200	Manicotto aspirazione	Suction hose	
156	2	0L0193	518614400	Fascetta 40-60	Clamp 40-60	
157	1	046853	518602901	Fascetta 60-80	Clamp 60-80	
158	1	0L0927	544635100	Collettore aspirazione destro	Right suction manifold	
159	1	0L0912	515660400	Tubo 26.9x2	Pipe 26.9x2	
160	1	0L0893	504694500	Filtro vasca destro	Right tank filter	
161	2	0L1557	515664100	Tubo	Hose	
162	2	0L1561	543633600	O-ring 29.82X2.62	O-ring 29.82X2.62	
163	2	0E5056	W00525500	Dado 3/4"	Nut 3/4"	
164	4	0L1560	543633500	Guarnizione	Gasket	Up to Ser. Nr.: 019
164	4	0L2236	543633L00	Guarnizione	Gasket	From Ser. Nr.: 020
165	1	0E0153	W00513200	Scaricatore di condensa	Steam drain	
166	1	072457	W00526300	Nipplo	Nipple	
167	1	0L1481	696617600	Elettrovalvola vapore	Steam solenoid valve	
169	0.9 mt	0L2426	140600300	Tubo 20x3	Hose 20x3	Only for 165 From Ser. Nr.: 046
169	1.5 mt	0L2426	140600300	Tubo 20x3	Hose 20x3	Only for 200 From Ser. Nr.: 046
169	2.4 mt	0L2426	140600300	Tubo 20x3	Hose 20x3	Only for 300 From Ser. Nr.: 046
170	1	0L2423	5146A3B00	Portagomma G 1/2" M	Hose holder G 1/2" M	From Ser. Nr.: 046
171	1	0L2424	5146A3C00	Portagomma G 1/2" F	Hose holder G 1/2" F	From Ser. Nr.: 046
172	1	0L0918	541613400	Raccordo a gomito	Elbow fitting	From Ser. Nr.: 046
173	1	0L2425	5146A0100	Raccordo	Fitting	From Ser. Nr.: 046
174	1	0L3456	5046A8U00	Pomp bracket	Supporto pompa	From Ser. Nr.: 3125



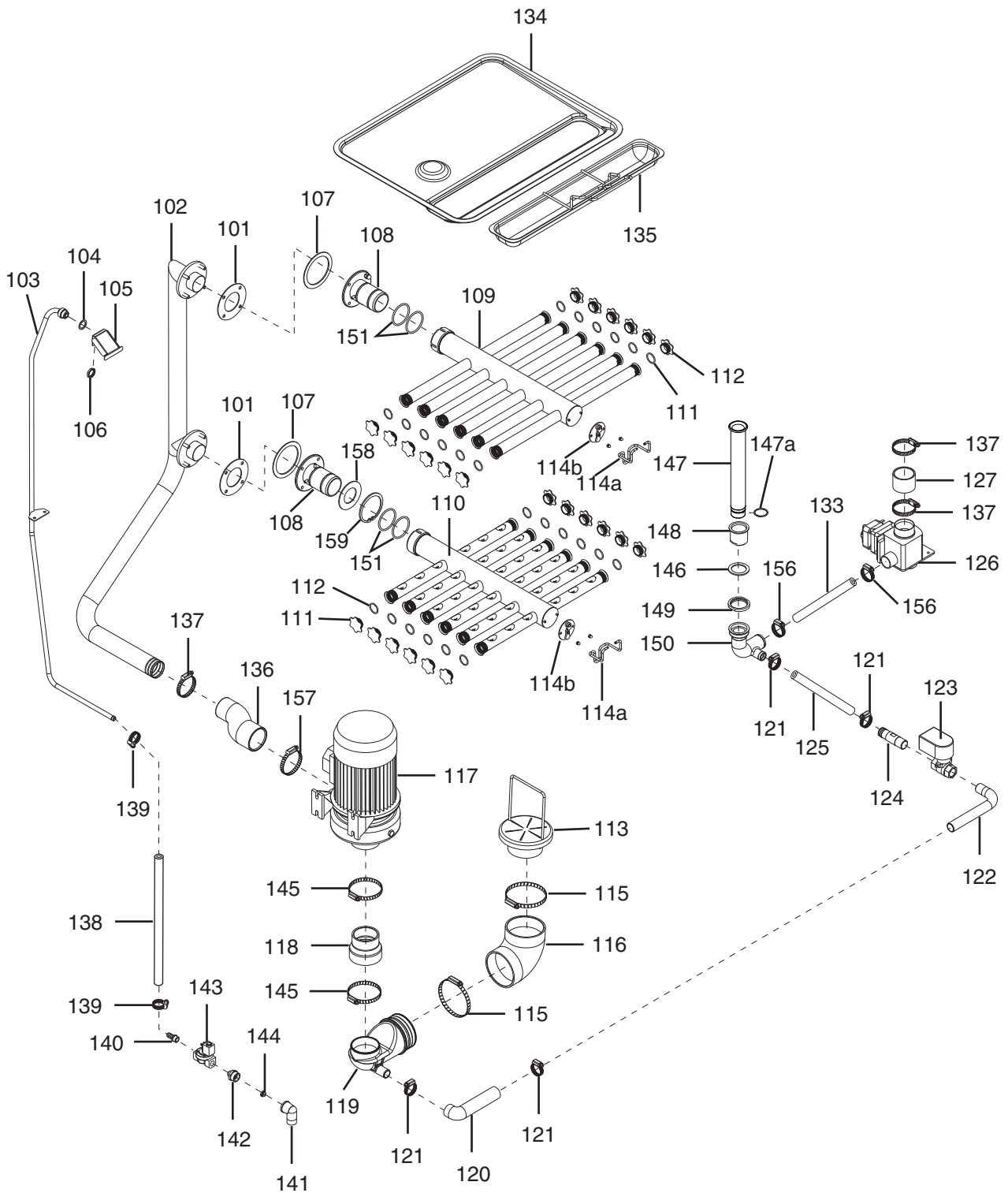
iii. 652001p10A

Prelavaggio da 600, Circuito Idraulico/ Prewash from 600, Hydraulic circuit

Da Ser.Nr./From Ser.nr.: 544

Prelavaggio da 600, Circuito Idraulico				ill. 652001p10A		Grassetto = variazioni
Prewash from 600, Hydraulic circuit						Bold Print = changes
Pos.	Q.tà Q.ty	Cod.ric. Part No.	Cod. Fab. Fac. code	Descrizione	Description	Note Notes
101	2	0L0919	543629400	Guarnizione	Gasket	
102	1	0L0958	830632701	Tubo prelavaggio	Upper prewash pipe	Up to Ser. Nr.: 616
102	1	0L1186	830632703	Tubo lavaggio	Wash pipe	From Ser. Nr.: 617
103	1	0L0981	830637801	Tubo caricamento vasca	Tank feeding pipe	Up to Ser. Nr.: 928
103	1	0L1508	830649701	Tubo caricamento vasca	Tank feeding pipe	From Ser. Nr.: 929
104	1	0E5122	W00500800	Guarnizione	Gasket	Up to Ser.Nr.: 045
104	1	0L2402	569608800	Guarnizione	Gasket	From Ser.Nr.: 046
105	1	0E5848	RT0011900	Paraspruzzi ingresso	Inlet splashguard	
106	1	0E5424	W00525400	Dado 1/2" G	Nut 1/2" G	
107	2	0L0923	543632400	O-ring 65.09x3.53	O-ring 65.09x3.53	
108	2	0L0961	830633100	Innesto bracci prelavaggio	Prewash arms fitting	Up to Ser. Nr.: 616
108	2	0L1188	830633101	Innesto bracci prelavaggio	Prewash arms fitting	From Ser. Nr.: 617
109	1	0L0974	830635702	Braccio prelavaggio superiore	Upper prewashing arm	Up to Ser Nr: 5051
109	1	0L3471	83065FS00	Braccio prelavaggio superiore	Upper prewashing arm	From Ser Nr: 5061
110	1	0L0985	830641302	Braccio prelavaggio inferiore	Lower prewashing arm	Up to Ser Nr: 5051
110	1	0L3472	83065FV00	Braccio prelavaggio inferiore	Lower prewashing arm	From Ser Nr: 5061
111	4	0L1276	543633200	O-ring 0500-30 50X3	O-ring 0500-30 50X3	
113	1	0L0951	800666601	Filtro aspirazione	Suction filter	
114a	2	0L0905	514697101	Aggancio bracci	Arms lock	Up to Ser. Nr.: 928
114a	2	0L2087	5146A2100	Aggancio bracci	Arms lock	From Ser. Nr.: 929
114b	2	0L1370	800669401	Coperchio aggancio bracci	Arms coupling cover	
115	2	0L0915	518682700	Fascetta 100-120	Clamp 100-120	
116	1	0L0930	544635700	Manicotto aspirazione pompa	Pump suction hose	
117	1	0L0944	611630001	Pompa	Pump	
118	1	0L0933	544639600	Manicotto aspirazione	Suction hose	
119	1	0L0927	544635100	Collettore aspirazione	Suction manifold	
120	2	049880	544631300	Manicotto aspirazione	Suction hose	
121	2	047578	518604001	Fascetta 25-40	Clamp 25-40	
122	1	0L0910	515660200	Tubo a gomito	Elbow pipe	
123	1	0L0949	696616600	Elettrovalvola	Solenoid valve	
124	1	0L0911	515660300	Tubo 26.9X2	Pipe 26.9X2	
125	2	0L0193	518614400	Fascetta 40-60	Clamp 40-60	
126	1	0L2506	696618600	Elettrovalvola di scarico	Drain solenoid valve	
127	1	0L0935	544640000	Manicotto scarico vasca	Tank drain hose	
133	1	0L0939	544683100	Tubo 40x5	Hose 40x5	
134	1	0L1167	830643401	Filtro inclinato vasca	Tank inclined filter	
135a	1	0L1166	830643300	Filtro piano vasca	Tank flat filter	Up to Ser. Nr.: 019
135a	1	0L2290	830656100	Filtro piano vasca	Tank flat filter	From Ser. Nr.: 020
135b	1	048252	830617602	Filtro cestello	Basket filter	From Ser. Nr.: 020
136	1	0L0926	544635000	Manicotto mandata	Delivery hose	
137	4	046855	518602801	Fascetta 50-70	Clamp 50-70	
138		048531	140066039	Tubo 11.5x19.5	Hose 11.5x19.5	Up to Ser. Nr.: 045
138	1m	049379	140066047	Tubo 11.5x19.5	Hose 11.5x19.5	From Ser. Nr.: 046
139	2	048126	518609801	Fascetta 12-22	Clamp 12-22	
140	1	0L0477	514694300	Portagomma 3/8" G	Hose holder 3/8" G	
141	1	049679	544628400	Raccordo a gomito 3/4"	Elbow fitting 3/4"	
142	1	0L0479	515655400	Nipplo 3/4"-3/8" G	Nipple 3/4"-3/8" G	
143	1	0L2516	696618500	Elettrovalvola	Solenoid valve	
144	1	0L0178	549642800	Parzializzatore 20 l/min	Shutter 20 l/min	

Prelavaggio da 600, Circuito Idraulico Prewash from 600, Hydraulic circuit				ill. 652001p10A	Grassetto = variazioni Bold Print = changes	
Pos.	Q.tà Q.ty	Cod.ric. Part No.	Cod. Fab. Fac. code	Descrizione	Description	Note Notes
146	1	065506	246037900	O-ring 42.86x3.53	O-ring 42.86x3.53	
147	1	0L0909	515657900	Troppopieno	Overflow	Up to S. Nr. 712
147	1	0L1431	515657902	Troppopieno	Overflow	From S. Nr. 713 Up to S. Nr. 019
147	1	0L2296	830657400	Troppopieno	Overflow	From S. Nr. 020
147a	1	0L2359	543634100	O-ring per troppopieno	O-ring for overflow	
148	1	075624	511607200	Piletta di scarico	Drain	
149	1	066079	215190400	Dado 1 1/2"	Nut 1 1/2"	
150	1	0L0954	805659902	Collettore scarico prelavaggio	Prewash drain manifold	
151	1	046878	518602701	Fascetta 35-50	Clamp 35-50	
152	1	0L1184	5026A3100	Parzializzatore M600	Shutter M600	From Ser. Nr.: 617
153	1	0L1189	219065212	Anello 52 UNI 7437	Ring 52 UNI 7437	From Ser. Nr.: 617



ill. 652001p11A

Prelavaggio da 1165, Circuito Idraulico/ Prewash from 1165, Hydraulic circuit

Da Ser.Nr./From Ser.nr.: 544

Page: 38 Ed. 2013-09

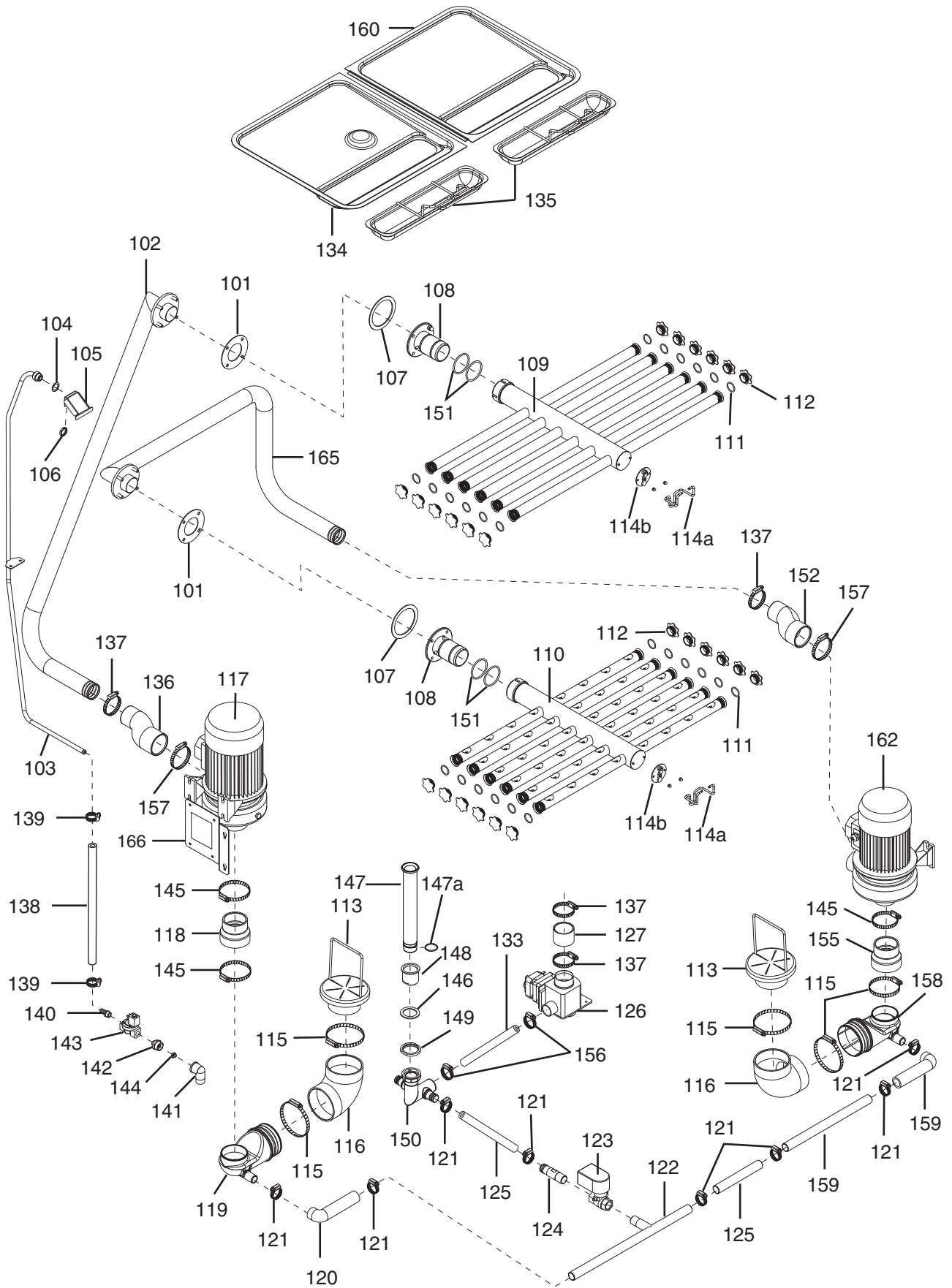
Doc. Nr.: 6-52 001

Prewash from 1165, Hydraulic circuit

Bold Print = changes

Pos.	Q.tà Q.ty	Cod.ric. Part No.	Cod. Fab. Fac. code	Descrizione	Description	Note Notes
101	2	0L0919	543629400	Guarnizione	Gasket	
102	1	0L0957	830632601	Tubo prelavaggio	Preash pipe	Up to Ser. Nr.: 616
102	1	0L1187	830632603	Tubo prelavaggio	Prewash pipe	From Ser. Nr.: 617
103	1	0L0981	830637801	Tubo caricamento vasca	Tank feeding pipe	Up to Ser. Nr.: 928
103	1	0L1508	830649701	Tubo caricamento vasca	Tank feeding pipe	From Ser. Nr.: 929
104	1	0E5122	W00500800	Guarnizione	Gasket	Up to Ser.Nr.: 045
104	1	0L2402	569608800	Guarnizione	Gasket	From Ser.Nr.: 046
105	1	0E5848	RT0011900	Paraspruzzi ingresso	Inlet splashguard	
106	1	0E5424	W00525400	Dado 1/2" G	Nut 1/2" G	
107	2	0L0923	543632400	O-ring 65.09x3.53	O-ring 65.09x3.53	
108	2	0L0961	830633100	Innesto bracci prelavaggio	Prewash arms fitting	Up to Ser. Nr.: 616
108	2	0L1188	830633101	Innesto bracci prelavaggio	Prewash arms fitting	From Ser. Nr.: 617
109	1	0L0965	830633502	Braccio lavaggio	Washing arm	Right machine Up to Ser. Nr.: 810
109	1	0L1751	830654500	Braccio lavaggio	Washing arm	Right machine From Ser. Nr.: 811
109	1	0L1751	830654500	Braccio lavaggio	Washing arm	Right machine Up to Ser. Nr.: 5051
109	1	0L3475	83065FY00	Braccio lavaggio	Washing arm	Right machine From Ser. Nr.: 5061
109	1	0L0965	830633402	Braccio lavaggio	Washing arm	Left machine Up to Ser. Nr.: 810
109	1	0L1751	830654500	Braccio lavaggio	Washing arm	Left machine From Ser. Nr.: 811
109	1	0L1751	830654500	Braccio lavaggio	Washing arm	Left machine Up to Ser. Nr.: 5051
109	1	0L3475	83065FY00	Braccio lavaggio	Washing arm	Left machine From Ser. Nr.: 5061
110	1	0L0964	830633402	Braccio lavaggio	Washing arm	Right machine Up to Ser. Nr.: 810
110	1	0L1750	830654400	Braccio lavaggio	Washing arm	Right machine From Ser. Nr.: 811
110	1	0L1750	830654400	Braccio lavaggio	Washing arm	Right machine Up to Ser. Nr.: 5051
110	1	0L3476	83065FZ00	Braccio lavaggio	Washing arm	Right machine From Ser. Nr.: 5061
110	1	0L0964	830633502	Braccio lavaggio	Washing arm	Left machine Up to Ser. Nr.: 810
110	1	0L1750	830654500	Braccio lavaggio	Washing arm	Left machine From Ser. Nr.: 811
110	1	0L1750	830654400	Braccio lavaggio	Washing arm	Left machine Up to Ser. Nr.: 5051
110	1	0L3476	83065FZ00	Braccio lavaggio	Washing arm	Left machine From Ser. Nr.: 5061
111	24	0L0922	543632300	O-ring 26,65x2,62	O-ring 26,65x2,62	
112	24	0L0978	830637000	Tappo	Plug	Up to Ser. Nr.: 810
112	24	0L1711	541617400	Tappo	Plug	From Ser. Nr.: 811
113	1	0L0951	800666601	Filtro aspirazione	Suction filter	
114a	2	0L0905	514697101	Aggancio bracci	Arms lock	Up to Ser. Nr.: 928
114a	2	0L2087	5146A2I00	Aggancio bracci	Arms lock	From Ser. Nr.: 929

Prelavaggio da 1165, Circuito Idrraulico Prewash from 1165, Hydraulic circuit				iii. 652001p11A	Grassetto = variazioni Bold Print = changes	
Pos.	Q.tà Q.ty	Cod.ric. Part No.	Cod. Fab. Fac. code	Descrizione	Description	Note Notes
114b	2	0L1370	800669401	Coperchio aggancio bracci	Arms coupling cover	
115	2	0L0915	518682700	Fascetta 100-120	Clamp 100-120	
116	1	0L0930	544635700	Manicotto aspirazione pompa	Pump suction hose	
117	1	0L0942	611629800	Pompa	Pump	Up to Ser. Nr.: 3241
117	1	0L3037	611637R00	Pompa	Pump	From Ser. Nr.: 3251
118	1	0L0932	544639500	Manicotto aspirazione	Suction hose	Up to Ser. Nr.: 3241
118	1	0L0924	544629200	Manicotto aspirazione	Suction hose	From Ser. Nr.: 3251
118	1	0L0932	544639500	Manicotto aspirazione	Suction hose	
119	1	0L0928	544635200	Collettore aspirazione	Suction manifold	
120	1	049880	544631300	Manicotto aspirazione	Suction hose	
121	4	047578	518604001	Fascetta 25-40	Clamp 25-40	
122	1	0L0910	515660200	Tubo a gomito	Elbow pipe	
123	1	0L0949	696616600	Elettrovalvola	Solenoid valve	
124	1	0L0912	515660400	Tubo 26.9X2	Pipe 26.9X2	
125		049287	140066043	Tubo 25.5X3.75	Pipe 25.5X3.75	
126	1	0L2506	696618600	Elettrovalvola di scarico	Drain solenoid valve	
127	1	0L0934	544639900	Manicotto scarico vasca	Tank drain hose	
133	1	0L0939	544683100	Tubo 40x5	Hose 40x5	
134	1	0L0892	504694300	Filtro vasca	Tank filter	
135	1	0L0973	830634900	Filtro a cestello	Basket filter	
136	1	0L0936	544640100	Manicotto mandata	Delivery hose	Up to Ser. Nr.: 1324
136	1	0L1267	544683300	Manicotto mandata	Delivery hose	From Ser. Nr.: 1325
137	2	046855	518602801	Fascetta 50-70	Clamp 50-70	
138		048531	140066039	Tubo 11.5x19.5	Hose 11.5x19.5	Up to Ser. Nr.: 045
138	1m	049379	140066047	Tubo 11.5x19.5	Hose 11.5x19.5	From Ser. Nr.: 046
139	2	048126	518609801	Fascetta 12-22	Clamp 12-22	
140	1	0L0477	514694300	Portagomma 3/8" G	Hose holder 3/8" G	
141	1	049679	544628400	Raccordo a gomito 3/4"	Elbow fitting 3/4"	
142	1	0L0479	515655400	Nipplo 3/4"-3/8" G	Nipple 3/4"-3/8" G	
143	1	0L2516	696618500	Elettrovalvola	Solenoid valve	
144	1	0L0178	549642800	Parzializzatore 20 l/min	Shutter 20 l/min	
145	2	0L0914	518682600	Fascetta 80-100	Clamp 80-100	
146	1	065506	246037900	O-ring 42.86x3.53	O-ring 42.86x3.53	
147	1	0L0908	515657800	Troppopieno	Overflow	Up to Ser. Nr.: 712
147	1	0L1430	515657801	Troppopieno	Overflow	From Ser. Nr.: 713
147	1	0L2295	830657300	Troppopieno + o-ring	Overflow + o-ring	Up to Ser. Nr.: 019
147a	1	0L2359	543634100	O-ring per troppopieno	O-ring for overflow	From Ser. Nr.: 020
148	1	075624	511607200	Piletta di scarico	Drain	
149	1	066079	215190400	Dado 1 1/2"	Nut 1 1/2"	
150	1	0L0953	805659801	Collettore scarco lavaggio	Wash drain manifold	
151	4	0L1276	543633200	O-ring 0500-30 50X3	O-ring 0500-30 50X3	
156	2	0L0193	518614400	Fascetta 40-60	Clamp 40-60	
157	1	046853	518602901	Fascetta 60-80	Clamp 60-80	
158	1	0L1185	5026A3000	Parzializzatore M1165	Shutter M1165	From Ser. Nr.: 617
159	1	0L1189	219065212	Anello 52 UNI 7437	Ring 52 UNI 7437	From Ser. Nr.: 617



III. 652001p12

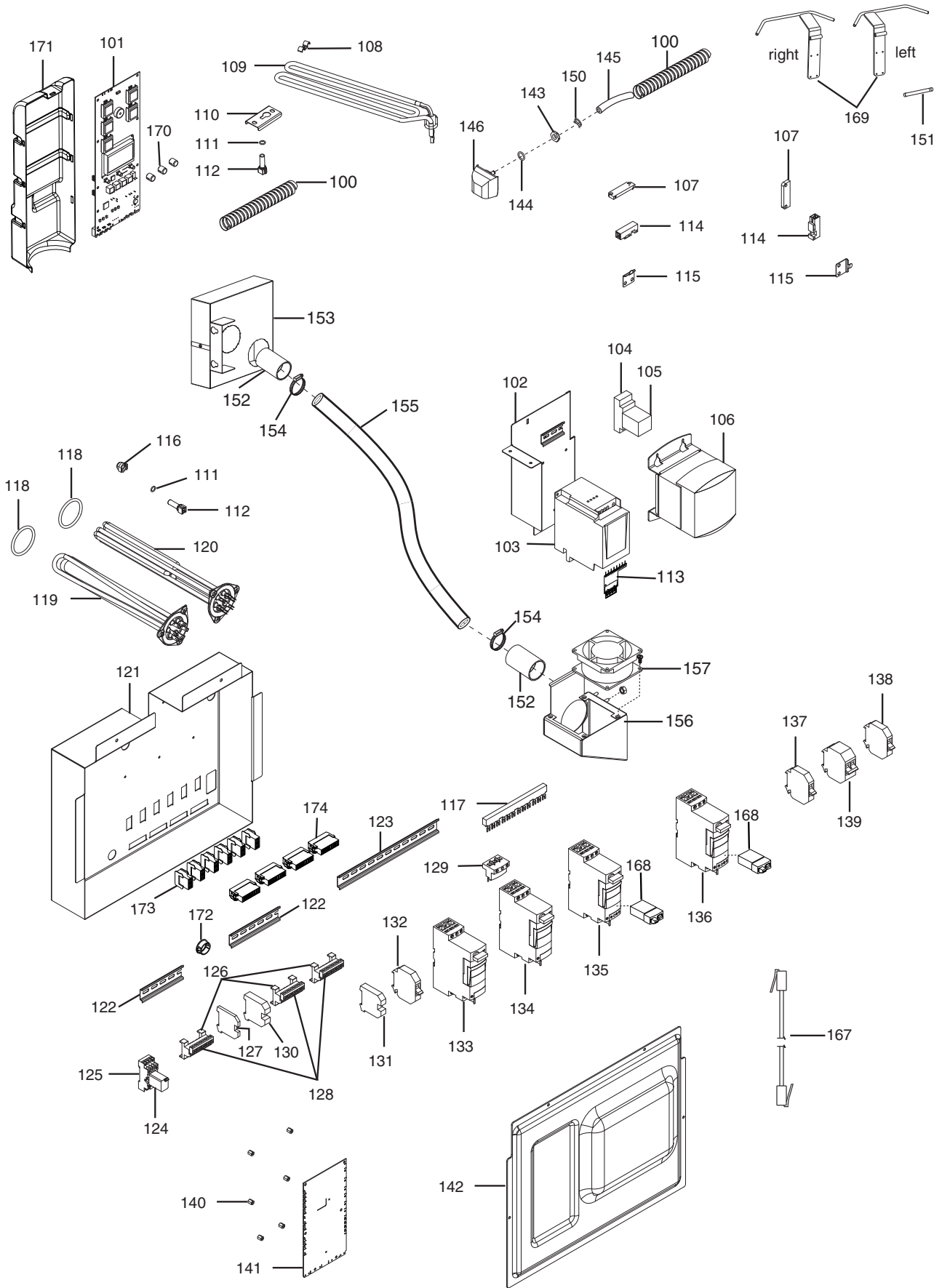
Prelavaggio da 1490, Circuito Idraulico/ Prewash from 1490, Hydraulic circuit

Da Ser.Nr./From Ser.nr.: 544

Prelavaggio da 1490, Circuito Idraulico Prewash from 1490, Hydraulic circuit				ill. 652001p12	Grassetto = variazioni Bold Print = changes	
Pos.	Q.tà Q.ty	Cod.ric. Part No.	Cod. Fab. Fac. code	Descrizione	Description	Note Notes
101	2	0L0919	543629400	Guarnizione	Gasket	
102	1	0L0960	830632902	Tubo prelavaggio superiore	Upper prewash pipe	
103	1	0L0981	830637801	Tubo caricamento vasca	Tank feeding pipe	Up to Ser. Nr.: 928
103	1	0L1508	830649701	Tubo caricamento vasca	Tank feeding pipe	From Ser. Nr.: 929
104	1	0E5122	W00500800	Guarnizione	Gasket	Up to Ser.Nr.: 045
104	1	0L2402	569608800	Guarnizione	Gasket	From Ser.Nr.: 046
105	1	0E5848	RT0011900	Paraspruzzi ingresso	Inlet splashguard	
106	1	0E5424	W00525400	Dado 1/2" G	Nut 1/2" G	
107	2	0L0923	543632400	O-ring 65.09x3.53	O-ring 65.09x3.53	
108	2	0L0961	830633100	Innesto bracci prelavaggio	Prewash arms fitting	Up to Ser. Nr.: 616
108	2	0L1188	830633101	Innesto bracci prelavaggio	Prewash arms fitting	From Ser. Nr.: 617
109	1	0L0963	830633302	Braccio lavaggio	Washing arm	Right machine Up to Ser. Nr.: 810
109	1	0L1749	830654300	Braccio lavaggio	Washing arm	Right machine From Ser. Nr.: 811
109	1	0L1749	830654300	Braccio lavaggio	Washing arm	Right machine Up to Ser. Nr.: 5051
109	1	0L3477	83065G000	Braccio lavaggio	Washing arm	Right machine From Ser. Nr.: 5061
109	1	0L0963	830633202	Braccio lavaggio	Washing arm	Left machine Up to Ser. Nr.: 810
109	1	0L1749	830654200	Braccio lavaggio	Washing arm	Left machine From Ser. Nr.: 811
109	1	0L1749	830654300	Braccio lavaggio	Washing arm	Left machine Up to Ser. Nr.: 5051
109	1	0L3477	83065G000	Braccio lavaggio	Washing arm	Left machine From Ser. Nr.: 5061
110	1	0L0962	830633202	Braccio lavaggio	Washing arm	Right machine Up to Ser. Nr.: 810
110	1	0L1748	830654200	Braccio lavaggio	Washing arm	Right machine From Ser. Nr.: 811
110	1	0L1748	830654200	Braccio lavaggio	Washing arm	Right machine Up to Ser. Nr.: 5051
110	1	0L3478	83065G100	Braccio lavaggio	Washing arm	Right machine From Ser. Nr.: 5061
110	1	0L0962	830633302	Braccio lavaggio	Washing arm	Left machine Up to Ser. Nr.: 810
110	1	0L1748	830654300	Braccio lavaggio	Washing arm	Left machine From Ser. Nr.: 811
110	1	0L1748	830654200	Braccio lavaggio	Washing arm	Left machine Up to Ser. Nr.: 5051
110	1	0L3478	83065G100	Braccio lavaggio	Washing arm	Left machine From Ser. Nr.: 5061
111	24	0L0922	543632300	O-ring 26,65x2,62	O-ring 26,65x2,62	
112	24	0L0978	830637000	Tappo	Plug	Up to Ser. Nr.: 810
112	24	0L1711	541617400	Tappo	Plug	From Ser. Nr.: 811
113	1	0L0951	800666601	Filtro aspirazione	Suction filter	

Prelavaggio da 1490, Circuito Idrraulico				iii. 652001p12		Grassetto = variazioni
Prewash from 1490, Hydraulic circuit						Bold Print = changes
Pos.	Q.tà Q.ty	Cod.ric. Part No.	Cod. Fab. Fac. code	Descrizione	Description	Note Notes
114a	2	0L0905	514697101	Aggancio bracci	Arms lock	Up to Ser. Nr.: 928
114a	2	0L2087	5146A2I00	Aggancio bracci	Arms lock	From Ser. Nr.: 929
114b	2	0L1370	800669401	Coperchio aggancio bracci	Arms coupling cover	
115	2	0L0915	518682700	Fascetta 100-120	Clamp 100-120	
116	1	0L0930	544635700	Manicotto aspirazione pompa	Pump suction hose	
117	1	0L0942	611629800	Pompa	Pump	Up to Ser. Nr.: 3241
117	1	0L3037	611637R00	Pompa	Pump	From Ser. Nr.: 3251
118	1	0L0932	544639500	Manicotto aspirazione	Suction hose	Up to Ser. Nr.: 3241
118	1	0L0924	544629200	Manicotto aspirazione	Suction hose	From Ser. Nr.: 3251
118	1	0L0932	544639500	Manicotto aspirazione	Suction hose	
119	1	0L0928	544635200	Collettore aspirazione sinistro	Left suction manifold	
120	1	049880	544631300	Manicotto aspirazione	Suction hose	
121	8	047578	518604001	Fascetta 25-40	Clamp 25-40	
122	1	0L0913	515660600	Tubo a T	T pipe	
123	1	0L0949	696616600	Elettrovalvola	Solenoid valve	
124	1	0L0912	515660400	Tubo 26.9X2	Pipe 26.9X2	
125		049287	140066043	Tubo 25.5X3.75	Pipe 25.5X3.75	
126	1	0L2506	696618600	Elettrovalvola di scarico	Drain solenoid valve	
127	1	0L0934	544639900	Manicotto scarico vasca	Tank drain hose	
133	1	0L0939	544683100	Tubo 40x5	Hose 40x5	
134	1	0L0894	504694600	Filtro vasca sinistro	Left tank filter	
135	2	0L0972	830634802	Filtro a cestello	Basket filter	
136	1	0L0936	544640100	Manicotto mandata	Delivery hose	Up to Ser. Nr.: 1324
136	1	0L1267	544683300	Manicotto mandata	Delivery hose	From Ser. Nr.: 1325
137	2	046855	518602801	Fascetta 50-70	Clamp 50-70	
138		048531	140066039	Tubo 11.5x19.5	Hose 11.5x19.5	Up to Ser. Nr.: 045
138	1m	049379	140066047	Tubo 11.5x19.5	Hose 11.5x19.5	From Ser. Nr.: 046
139	2	048126	518609801	Fascetta 12-22	Clamp 12-22	
140	1	0L0477	514694300	Portagomma 3/8" G	Hose holder 3/8" G	
141	1	049679	544628400	Raccordo a gomito 3/4"	Elbow fitting 3/4"	
142	1	0L0479	515655400	Nipplo 3/4"-3/8" G	Nipple 3/4"-3/8" G	
143	1	0L2516	696618500	Elettrovalvola	Solenoid valve	
144	1	0L0178	549642800	Parzializzatore 20 l/min	Shutter 20 l/min	
145	2	0L0914	518682600	Fascetta 80-100	Clamp 80-100	
146	1	065506	246037900	O-ring 42.86x3.53	O-ring 42.86x3.53	
147	1	0L0908	515657800	Troppopieno	Overflow	Up to S. Nr. 712
147	1	0L1430	515657801	Troppopieno	Overflow	From S. Nr. 713
147	1	0L2295	830657300	Troppopieno + o-ring	Overflow + o-ring	Up to S. Nr. 019
147a	1	0L2359	543634100	O-ring per troppopieno	O-ring for overflow	From Ser. Nr.: 020
148	1	075624	511607200	Piletta di scarico	Drain	
149	1	066079	215190400	Dado 1 1/2"	Nut 1 1/2"	
150	1	0L0953	805659801	Collettore scarco prelavaggio	Prewash drain manifold	
151	4	0L1276	543633200	O-ring 0500-30 50X3	O-ring 0500-30 50X3	
152	1	0L0936	544640100	Manicotto mandata	Delivery hose	
155	1	0L0924	544629200	Manicotto aspirazione	Suction hose	
156	2	0L0193	518614400	Fascetta 40-60	Clamp 40-60	
157	1	046853	518602901	Fascetta 60-80	Clamp 60-80	
158	1	0L0927	544635100	Collettore aspirazione destro	Right suction manifold	

Prelavaggio da 1490, Circuito Idraulico Prewash from 1490, Hydraulic circuit				ill. 652001p12	Grassetto = variazioni Bold Print = changes	
Pos.	Q.tà Q.ty	Cod.ric. Part No.	Cod. Fab. Fac. code	Descrizione	Description	Note Notes
159	1	0L0912	515660400	Tubo 26.9x2	Pipe 26.9x2	
160	1	0L0893	504694500	Filtro vasca destro	Right tank filter	
162	1	0L0943	611629902	Pompa	Pump	
165	1	0L0959	830632802	Tubo prelavaggio inferiore	Lower prewash pipe	
166	1	0L3456	5046A8U00	Pomp bracket	Supporto pompa	From Ser. Nr.: 3125



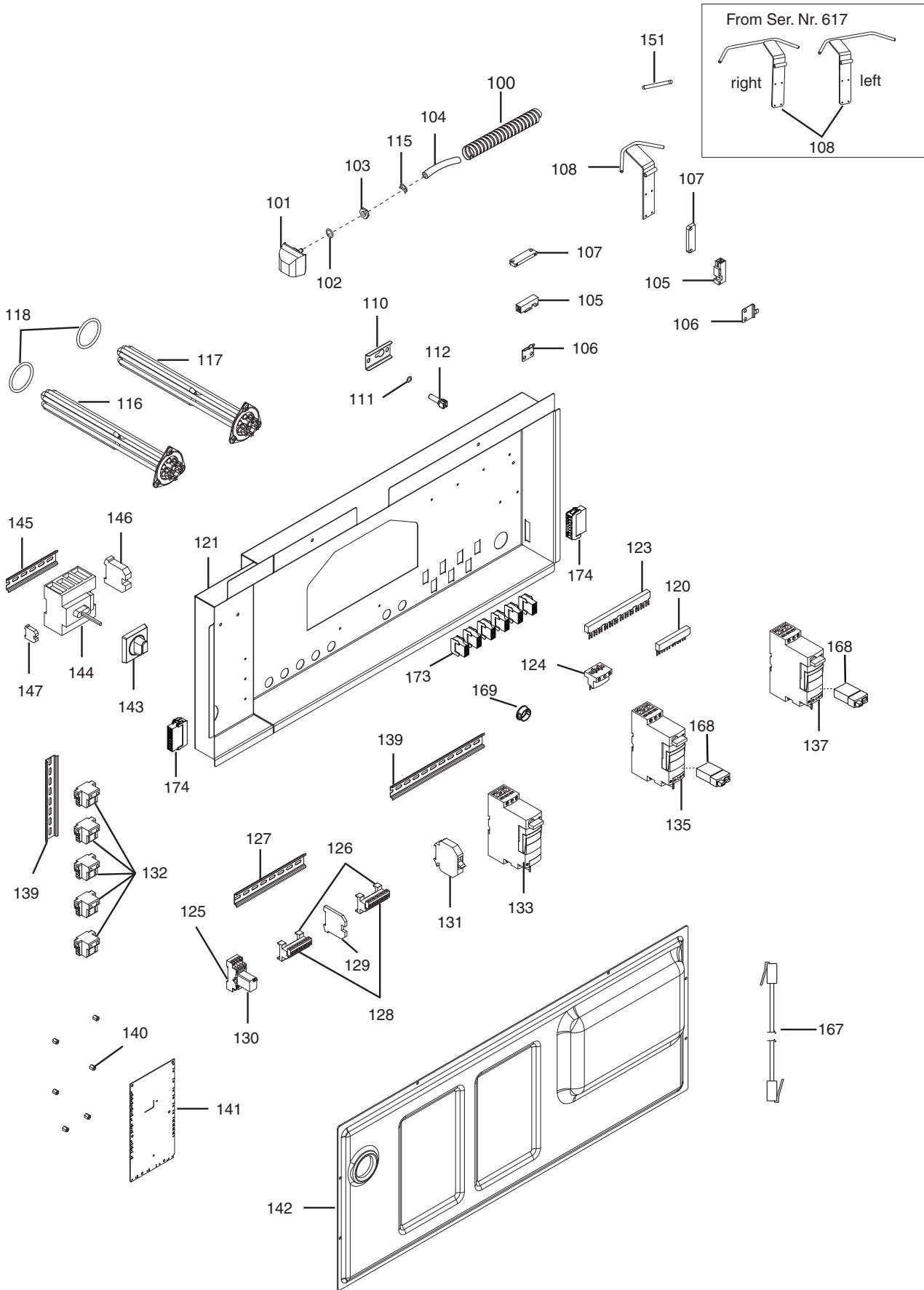
III. 652001p13

Risciacquo da 600, Componenti elettrici/ Rinse from 600, Electrical components

Risciacquo da 600, Componenti elettrici				ill. 652001p13		Grassetto = variazioni
Rinse from 600, Electrical components						Bold Print = changes
Pos.	Q.tà Q.ty	Cod.ric. Part No.	Cod. Fab. Fac. code	Descrizione	Description	Note Notes
100	1	0L1948	W00050701	Guaina a spirale	Protection cable	
101	1	0L0998	673607500	Interfaccia utente	User interface	Up to Ser. Nr.: 628
101	1	0L0998	673607501	Interfaccia utente	User interface	From Ser. Nr.: 629 Up to Ser. Nr.: 639
101	1	0L1285	673610006	Interfaccia utente	User interface	From Ser. Nr.: 640
101	1	0L1285	673610006	Interfaccia utente	User interface	Up to Ser. Nr.: 4501
101	1	0L3462	673612B00	Interfaccia utente	User interface	From Ser. Nr.: 4511
102	1	0L1253	830640204	Supporto trasformatore	Stand transformer	Up to Ser. Nr.: 146
102	1	0L2579	830640205	Supporto trasformatore	Stand transformer	From Ser. Nr.: 147
103	1	0L1000	624605000	Inverter	Inverter	Up to Ser. Nr.: 639
103	1	0L1282	624605700	Inverter	Inverter	From Ser. Nr.: 640 Up to Ser. Nr.: 835
103	1	0L1913	624606100	Inverter	Inverter	From Ser. Nr.: 836 Up to Ser. Nr.: 146
103	1	0L2511	830658900	Inverter (programmato)	Inverter (programmed)	From Ser. Nr.: 147 Up to Ser. Nr.: 4501
103	1	0L3457	83065DV00	Inverter (programmato)	Inverter (programmed)	From Ser. Nr.: 4511
104	1	0E5171	W00501700	Zoccolo relé	Relay socket	
105	1	0E5170	W00501800	Relé	Relay	
106	1	0L1158	624605600	Trasformatore	Transformer	
107	2	0L2534	699605900	Magnete	Magnet	
108	1	048429	506675402	Ancoraggio resistenza	Heating element locker	
109	1	0L1002	617623300	Resistenza vasca DUO	DUO tank heating element	
110	1	0L0366	507683800	Supporto sensore temperatura	Temperature probe support	
111	2	0L2303	543633Z00	O-ring	O-ring	
112	2	049643	124294000	Sonda di temperatura	Temperature probe	
113	1	0L2510	673611S00	Scheda per ATV12	ATV12 control board	From Ser. Nr.: 147
113	1	0L2510	673611S00	Scheda per ATV12	ATV12 control board	Up to Ser. Nr.: 4501
114	2	049621	654600000	Sensore reed	Reed sensor	
115	2	0L3164	502698502	Supporto sensore reed	Reed sensor support	
116	1	0L0280	514693100	Premistoppa	Probe nut	
117	1	0L1004	639626900	Barra di collegamento	Connection bar	
118	2	0L2304	543633Y00	O-ring	O-ring	
119	1	0L1005	617623100	Resistenza sinistra 6kW 230V	Left heating element 6kW 230V	
120	1	0L1006	617623000	Resistenza destra 6kW 230V	Right heating element 6kW 230V	WTM140
120	1	0L1035	617623200	Resistenza destra 10500W 230V	Right heating element 10500W 230V	Not for WTM140 Up to Ser. Nr.: 040
120	1	0L2759	617632101	Resistenza destra 10500W 230V	Right heating element 10500W 230V	Not for WTM140 From Ser. Nr.: 041
121	1	0L1007	502694501	Supporto componenti	Components support	Up to Ser. Nr.: 928
121	1	0L2090	850663N01	Supporto componenti	Components support	From Ser. Nr.: 929
122	2	0E3032	W00010100	Barra DIN L=142 mm	DIN bar L=142 mm	
123	1	0L1008	506608100	Barra DIN L=290 mm	DIN bar L=290 mm	
124	1	0L1009	648614400	Relé	Relay	
125	1	0L0415	648613700	Zoccolo relé	Relay socket	
126	3	0L1010	639627000	Multiconnettore (presa)	Multiconnector (socket)	
127	1	0L1609	639627700	Morsetto	Terminal block	
128	3	0L1012	639627100	Multiconnettore (spina)	Multiconnector (plug)	
129	1	0L1013	639626600	Morsettiera	Junction box	Up to Ser Nr: 4501

Risciacquo da 600, Componenti elettrici				ill. 652001p13		Grassetto = variazioni
Rinse from 600, Electrical components						Bold Print = changes
Pos.	Q.tà Q.ty	Cod.ric. Part No.	Cod. Fab. Fac. code	Descrizione	Description	Note Notes
130	1	0L1054	W00508900	Morsetto	Terminal block	
131	1	0E5850	W00508400	Morsetto	Terminal block	
132	1	0E6015	652606000	Interruttore automatico	Automatic fuse	
133	1	0L1016	648614301	Partenza motore resist. boiler	Boiler heating elements starter contr	8A÷32A
134	1	0L1017	648614201	Partenza motore resist vasca DUO	DUO heating elem starter controller	3A÷12A
135	1	0L1018	648614101	Partenza motore pompa DUO	DUO pump starter controller	1.25A÷5A Up to Ser. Nr.: 620
135	1	0L1222	648614102	Partenza motore pompa DUO	DUO pump starter controller	1.25A÷5A From Ser. Nr.: 621
136	1	0L1018	648614101	Partenza motore pompa risciac	Rinse pump starter controller	1.25A÷5A Up to Ser. Nr.: 620
136	1	0L1222	648614102	Partenza motore pompa risciacquo	Rinse pump starter controller	1.25A÷5A From Ser. Nr.: 621 Up to Ser. Nr.: 706
136	1	0L1297	648613901	Partenza motore pompa risciacquo	Rinse pump starter controller	0.35A÷1.4A From Ser. Nr.: 707
137	1	0L1019	652607100	Interruttore automatico	Automatic fuse	
138	1	0L1021	652607300	Interruttore automatico	Automatic fuse	
139	1	0L1020	652607400	Interruttore automatico	Automatic fuse	
140	6	088653	516807900	Distanziale	Spacer	
141	1	0L1022	673607702	Scheda elettronica	Electronic board	Up to Ser. Nr.: 628
141	1	0L1246	673609500	Scheda elettronica	Electronic board	From Ser. Nr.: 629 Up to Ser. Nr.: 639
141	1	0L1284	673610103	Scheda elettronica	Electronic board	From Ser. Nr.: 640
141	1	0L1284	673610103	Scheda elettronica	Electronic board	Up to Ser. Nr.: 4501
141	1	0L3465	673612D00	Scheda elettronica	Electronic board	From Ser. Nr.: 4511
142	1	0L1023	541613700	Copertura	Cover	
143	1	049268	544623800	Dado	Nut	
144	1	068642	246035800	O-ring	O-ring	
145	1	072393	W00537200	Tubo pressostato	Pressure sensor pipe	
146	1	048308	542604901	Trappola d'aria	Air trap	
150	1	0L0082	518613000	Fascetta 7.3-7.8	Clamp 7.3-7.8	
151	1	0L1449	514699000	Asse autostart	Autostart pin	
152	2	0L2552	544687900	Manicotto	Manifold	From Ser. Nr.: 147
153	1	0L2558	800674400	Convogliatore aria	Cooling fan air intake	From Ser. Nr.: 147
154	2	0L0193	518614400	Fascetta	Hose clamp	From Ser. Nr.: 147
155	1	0L2505	140600400	Tubo (71 cm)	Hose (71 cm)	From Ser. Nr.: 147
155	1	0L2505	140600400	Tubo (71 cm)	Hose (71 cm)	Up to Ser. Nr.: 4501
155	1		140600601	Tubo (I.D.=51 mm)	Hose (I.D.=51 mm)	From Ser. Nr.: 4511
156	1	0L2559	830658700	Convolgiatore aria	Fan discharge bracket	From Ser. Nr.: 147
157	1	0L2175	549646500	Ventola di raffreddamento	Cooling fan motor	From Ser. Nr.: 147
167	1	0L1396	639629000	Cavo di comunicazione	Communication cable	Up to Ser. Nr: 019
167	1	0L1432	639629200	Cavo di comunicazione	Communication cable	From Ser. Nr.: 020
167	1	0L1432	639629200	Cavo di comunicazione	Communication cable	Up to Ser. Nr.: 4501
167	1	0L3458	63868CG00	Cavo di comunicazione	Communication cable	From Ser. Nr.: 4511
168	2	0L1441	648615200	Contatto ausiliario	Auxiliary contact	
169	1	0L1164	830645801	Leva autostart dx	Autostart lever right	Right machines From Ser. Nr.: 718

Risciacquo da 600, Componenti elettrici				ill. 652001p13		Grassetto = variazioni
Rinse from 600, Electrical components						Bold Print = changes
Pos.	Q.tà Q.ty	Cod.ric. Part No.	Cod. Fab. Fac. code	Descrizione	Description	Note Notes
169	1	0L1165	830645901	Leva autostart sx	Autostart lever left	Left machines From Ser. Nr.: 718
170	1	002670	548836902	Prolunga pulsante	Switches cover	
171	1	0L1484	541615500	Copertura scheda user	User interface cover	
172	1	0L2325	543613800	Boccola a scatto	Open bushing	From Ser. Nr.: 020
173	6	0L2386	699605700	Connettore 4 vie	4 ways connector	From Ser. Nr.: 037
174	4	0L2387	699605800	Connettore 8 vie	8 ways connector	From Ser. Nr.: 037



iii. 652001p14A

Lavaggio da 1165, Componenti elettrici/ Wash from 1165, Electrical components

Da Ser.Nr./From Ser.nr.: 544

Page: 49 Ed. 2010-09

Doc. Nr.: **6-52 001**

Lavaggio da 1165, Componenti elettrici				ill. 652001p14A		Grassetto = variazioni
Wash from 1165, Electrical components						Bold Print = changes
Pos.	Q.tà Q.ty	Cod.ric. Part No.	Cod. Fab. Fac. code	Descrizione	Description	Note Notes
100	1	0L1948	W00050701	Guaina a spirale	Protection cable	
101	1	048308	542604901	Trappola d'aria	Air trap	
102	1	068642	246035800	O-ring	O-ring	
103	1	049268	544623800	Dado	Nut	
104	1	072393	W00537200	Tube pressostato	Pressure sensor pipe	
105	2	049621	654600000	Sensore reed	Reed sensor	
106	2	0L3164	502698502	Supporto sensore reed	Reed sensor support	
107	2	0L2534	699605900	Magnete	Magnet	
108	1	0L1024	830635201	Leva autostart	Autostart lever	Up to Ser. Nr.: 616
108	1	0L1164	830645801	Leva autostart dx	Right autostart lever	Right machines From Ser. Nr.: 617
108	1	0L1165	830645901	Leva autostart sx	Left autostart lever	Left machines From Ser. Nr.: 617
110	1	0L0366	507683800	Supporto sensore temper.	Temperature probe support	
111	1	0L2303	543633Z00	O-ring	O-ring	
112	1	049643	124294000	Sonda di temperatura	Temperature probe	
115	1	0L0082	518613000	Fascetta 7.3-7.8	Clamp 7.3-7.8	
116	1	0L1005	617623100	Resistenza sinistra 6kW 230V	Left heating element 6kW 230V	
117	1	0L1006	617623000	Resistenza destra 6kW 230V	Right heating element 6kW 230V	
118	2	0L2304	543633Y00	O-ring	O-ring	
120	1	0L1025	639626700	Barra di collegamento	Connection bar	for 2 start controller
121	1	0L1026	502693203	Supporto componenti	Components support	
123	1	0L1226	639626800	Barra di collegamento	Connection bar	for 3 start controller
124	1	0L1013	639626600	Morsettiera	Junction box	
125	1	0L0415	648613700	Zoccolo relé	Relay socket	
126	2	0L1010	639627000	Multiconnettore (presa)	Multiconnector (socket)	
127	1	0L1027	507621700	Barra DIN L=265 mm	DIN bar L=265 mm	
128	2	0L1012	639627100	Multiconnettore (spina)	Multiconnector (plug)	
129	1	0L1609	639627700	Morsetto	Terminal block	
130	1	0L1009	648614400	Relé	Relay	
131	1	0E6015	652606000	Interruttore automatico	Automatic fuse	
132	5	0L1028	639627300	Morsettiera	Junction box	
133	1	0L1016	648614301	Partenza motore resist vasca	Tank heating elem. starter contr.	8A÷32A
135	1	0L1036	648615300	Partenza motore pompa lav sx	Left wash pump starter controller	3A÷12A
137	1	0L1297	648613901	Partenza motore motore CU	CU motor starter controller	0.35A÷1.4A
139	2	0L1033	506606900	Barra DIN L=200 mm	DIN bar L=200 mm	
140	6	088653	516807900	Distanziale	Spacer	
141**	1	0L1022	673607702	Scheda elettronica	Electronic board	Up to Ser. Nr.: 628
141**	1	0L1246	673609500	Scheda elettronica	Electronic board	From Ser. Nr.: 629 Up to Ser. Nr.: 639
141**	1	0L1284	673610103	Scheda elettronica	Electronic board	From Ser. Nr.: 640
141**	1	0L1284	673610103	Scheda elettronica	Electronic board	Up to Ser. Nr.: 4501
141**	1	0L3465	673612D00	Scheda elettronica	Electronic board	From Ser. Nr.: 4511
142	1	0L1034	541613800	Copertura	Cover	
143	1	0L0698	640612700	Manopola	Knob	
144	1	0L0363	640612500	Sezionatore generale	Main switch	Up to Ser. Nr.: 019
144	1	0L2066	640613300	Sezionatore generale	Main switch	From Ser. Nr.: 020

**** Schede vecchie e schede nuove non possono coesistere sulla stessa macchina**
You cannot have old and new electronic boards both installed in the same machine

Lavaggio da 1165, Componenti elettrici Wash from 1165, Electrical components				ill. 652001p14A	Grassetto = variazioni Bold Print = changes	
Pos.	Q.tà Q.ty	Cod.ric. Part No.	Cod. Fab. Fac. code	Descrizione	Description	Note Notes
145	1	0E3032	W00010100	Barra DIN L=142 mm	DIN bar L=142 mm	
146	1	0L1011	639627600	Morsetto	Terminal block	
147	1	0L2447	639629S00	Morsetto	Terminal block	
151	1	0L1449	514699000	Asse autostart	Autostart pin	
167	1	0L1396	639629000	Cavo di comunicazione	Communication cable	Up to Ser. Nr.: 019
167	1	0L1432	639629200	Cavo di comunicazione	Communication cable	From Ser. Nr.: 020
167	1	0L1432	639629200	Cavo di comunicazione	Communication cable	Up to Ser. Nr.: 4501
167	1	0L3458	63868CG00	Cavo di comunicazione	Communication cable	From Ser. Nr.: 4511
168	2	0L1441	648615200	Contatto ausiliario	Auxiliary contact	
169	2	0L2325	543613800	Boccola a scatto	Open bushing	From Ser. Nr.: 020
173	6	0L2386	699605700	Connettore 4 vie	4 ways connector	From Ser. Nr.: 037
174	2	0L2387	699605800	Connettore 8 vie	8 ways connector	From Ser. Nr.: 037

**** Schede vecchie e schede nuove non possono coesistere sulla stessa macchina
You cannot have old and new electronic boards both installed in the same machine**

Lavaggio da 1490, Componenti elettrici Wash from 1490, Electrical components				ill. 652001p15A	Grassetto = variazioni Bold Print = changes	
Pos.	Q.tà Q.ty	Cod.ric. Part No.	Cod. Fab. Fac. code	Descrizione	Description	Note Notes
100	1	0L1948	W00050701	Guaina a spirale	Protection cable	
101	1	048308	542604901	Trappola d'aria	Air trap	
102	1	068642	246035800	O-ring	O-ring	
103	1	049268	544623800	Dado	Nut	
104	1	072393	W00537200	Tubo pressostato	Pressure sensor pipe	
105	2	049621	654600000	Sensore reed	Reed sensor	
106	2	0L3164	502698502	Supporto sensore reed	Reed sensor support	
107	2	0L2534	699605900	Magnete	Magnet	
108	1	0L1024	830635201	Leva autostart	Autostart lever	Up to Ser. Nr.: 616
108	1	0L1164	830645801	Leva autostart dx	Right autostart lever	Right machines From Ser. Nr.: 617
108	1	0L1165	830645901	Leva autostart sx	Left autostart lever	Left machines From Ser. Nr.: 617
110	1	0L0366	507683800	Supporto sensore temperatura	Temperature probe support	
111	1	0L2303	543633Z00	O-ring	O-ring	
112	1	049643	124294000	Sonda di temperatura	Temperature probe	
115	1	0L0082	518613000	Fascetta 7.3-7.8	Clamp 7.3-7.8	
116	1	0L1039	617623500	Resistenza sinistra 10.5 kW	Left heating element 10.5 kW	230 V Up to Ser. Nr.: 040
116	1	0L2736	617632201	Resistenza sinistra 10.5 kW	Left heating element 10.5 kW	230 V From Ser. Nr.: 041
117	1	0L1035	617623200	Resistenza destra 10.5 kW	Right heating element 10.5 kW	230 V Up to Ser. Nr.: 040
117	1	0L2759	617632101	Resistenza destra 10.5 kW	Right heating element 10.5 kW	230 V From Ser. Nr.: 041
118	2	0L2304	543633Y00	O-ring	O-ring	
120	1	0L1025	639626700	Barra di collegamento	Connection bar	for 2 start controller
121	1	0L1026	502693201	Supporto componenti	Components support	
123	1	0L1004	639626900	Barra di collegamento	Connection bar	for 4 start controller
124	1	0L1013	639626600	Morsettiera	Junction box	
125	1	0L0415	648613700	Zoccolo relé	Relay socket	
126	2	0L1010	639627000	Multiconnettore (presa)	Multiconnector (socket)	
127	1	0L1027	507621700	Barra DIN L=265 mm	DIN bar L=265 mm	
128	2	0L1012	639627100	Multiconnettore (spina)	Multiconnector (plug)	
129	1	0L1609	639627700	Morsetto	Terminal block	
130	1	0L1009	648614400	Relé	Relay	
131	1	0E6015	652606000	Interruttore automatico	Automatic fuse	
132	5	0L1028	639627300	Morsettiera	Junction box	
133	1	0L1016	648614301	Partenza motore resistenza vasca	Tank heating element starter controller	8A÷32A only for WTM140 WTM250 WTM300
133	1	0L1029	648614001	Partenza motore resistenza vasca	Tank heating element starter controller	4.5A÷18A only for WTM165 WTM200
134	1	0L1029	648614001	Partenza motore resistenza vasca	Tank heating element starter controller	4.5A÷18A only for WTM165 WTM200
134	1	0L1016	648614301	Partenza motore resistenza vasca	Tank heating element starter controller	8A÷32A only for WTM250 WTM300

**** Schede vecchie e schede nuove non possono coesistere sulla stessa macchina
You cannot have old and new electronic boards both installed in the same machine**

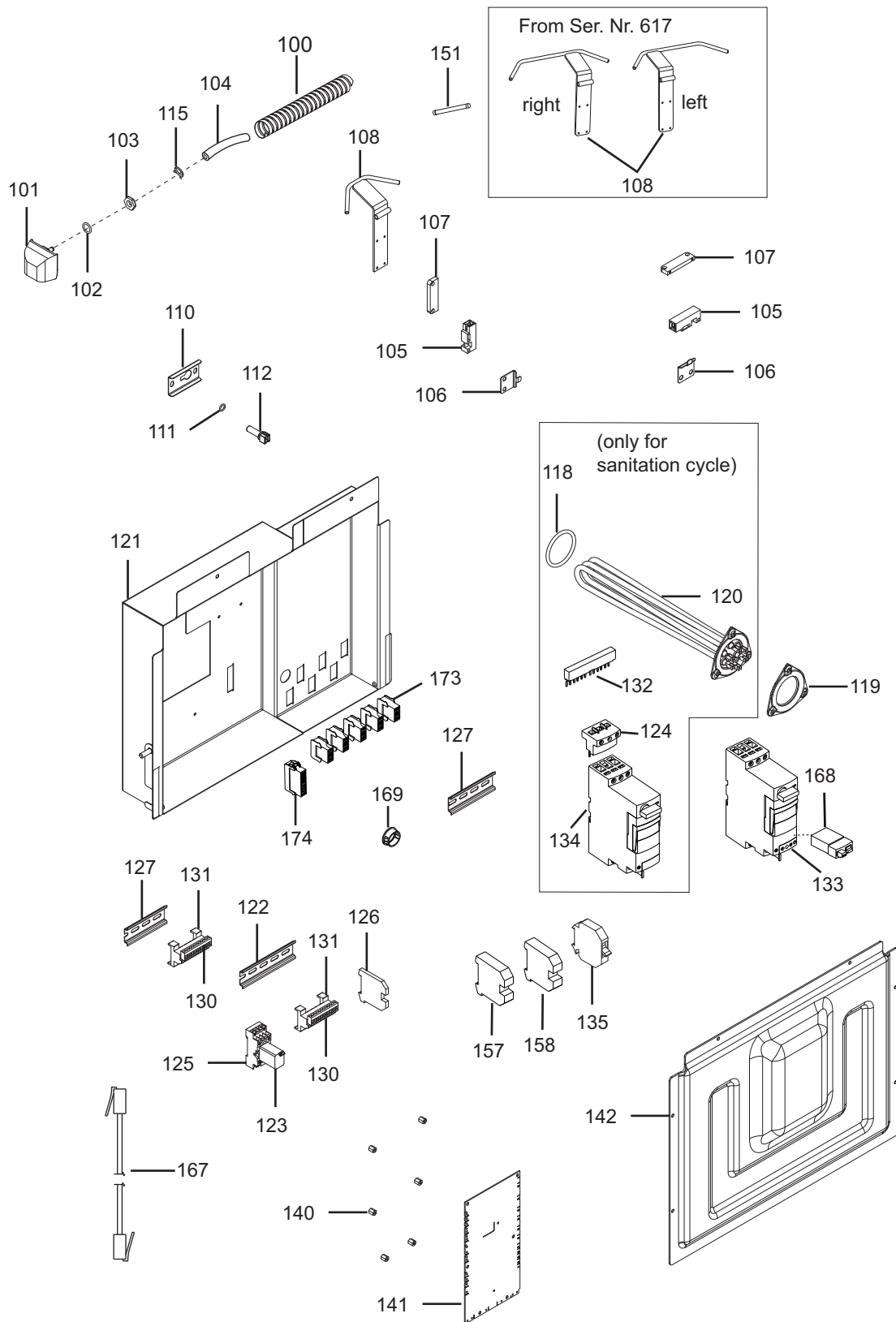
Da Ser.Nr./From Ser.nr.: 544

Page: 53 Ed. 2014-09

Doc. Nr.: **6-52 001**

Lavaggio da 1490, Componenti elettrici Wash from 1490, Electrical components				ill. 652001p15A	Grassetto = variazioni Bold Print = changes	
Pos.	Q.tà Q.ty	Cod.ric. Part No.	Cod. Fab. Fac. code	Descrizione	Description	Note Notes
135	1	0L1036	648615300	Partenza motore pompa lavaggio sx	Left wash pump starter controller	
136	1	0L1018	648614101	Partenza motore pompa lav dx	Right wash pump starter controller	Up to S.N.620
136	1	0L1222	648614102	Partenza motore pompa lav dx	Right wash pump starter controller	From S.N.621
137	1	0L1297	648613901	Partenza motore motore CU	CU motor starter controller	
139	2	0L1033	506606900	Barra DIN L=200 mm	DIN bar L=200 mm	
140	6	088653	516807900	Distanziale	Spacer	
141**	1	0L1022	673607702	Scheda elettronica	Electronic board	Up to S.N.628
141**	1	0L1246	673609500	Scheda elettronica	Electronic board	From S.N.629
141**	1	0L1246	673609500	Scheda elettronica	Electronic board	Up S.N.639
141**	1	0L1284	673610102	Scheda elettronica	Electronic board	From S.N.640
141**	1	0L1284	673610102	Scheda elettronica	Electronic board	Up S.N.4501
141**	1	0L3465	673612D00	Scheda elettronica	Electronic board	From S.N.4511
142	1	0L1034	541613800	Copertura	Cover	
143	1	0L0968	640612700	Manopola	Knob	Up S.N.0201
143	1	0L2067	640613400	Manopola	Knob	From S.N.0201
144	1	0L0363	640612500	Sezionatore generale	Main switch	Up S.N.0201
144	1	0L2066	640613300	Sezionatore generale	Main switch	From S.N.0201
145	1	0E3032	W00010100	Barra DIN L=142 mm	DIN bar L=142 mm	
146	1	0L1011	639627600	Morsetto	Terminal block	
147	1	0L2447	639629S00	Morsetto	Terminal block	
151	1	0L1449	514699000	Asse autostart	Autostart pin	
154		0L1226	639626800	Barra di collegamento	Connection bar	for 3 start con- troller
167	1	0L1396	639629000	Cavo di comunicazione	Communication cable	Up to Ser. Nr.: 019
167	1	0L1432	639629200	Cavo di comunicazione	Communication cable	From Ser. Nr.: 020
167	1	0L1432	639629200	Cavo di comunicazione	Communication cable	Up to Ser. Nr.: 4501
167	1	0L3458	63868CG00	Cavo di comunicazione	Communication cable	From Ser. Nr.: 4511
168	2	0L1441	648615200	Contatto ausiliario	Auxiliary contact	
169	2	0L2325	543613800	Boccola a scatto	Open bushing	From Ser. Nr.: 020
173	6	0L2386	699605700	Connettore 4 vie	4 ways connector	From Ser. Nr.: 037
174	2	0L2387	699605800	Connettore 8 vie	8 ways connector	From Ser. Nr.: 037

**** Schede vecchie e schede nuove non possono coesistere sulla stessa macchina
You cannot have old and new electronic boards both installed in the same machine**



iii. 652001p16A

Prelavaggio da 600, Componenti elettrici / Prewash from 600, Electrical components

Da Ser.Nr./From Ser.nr.: 544

Page: 55 Ed. 2008-09

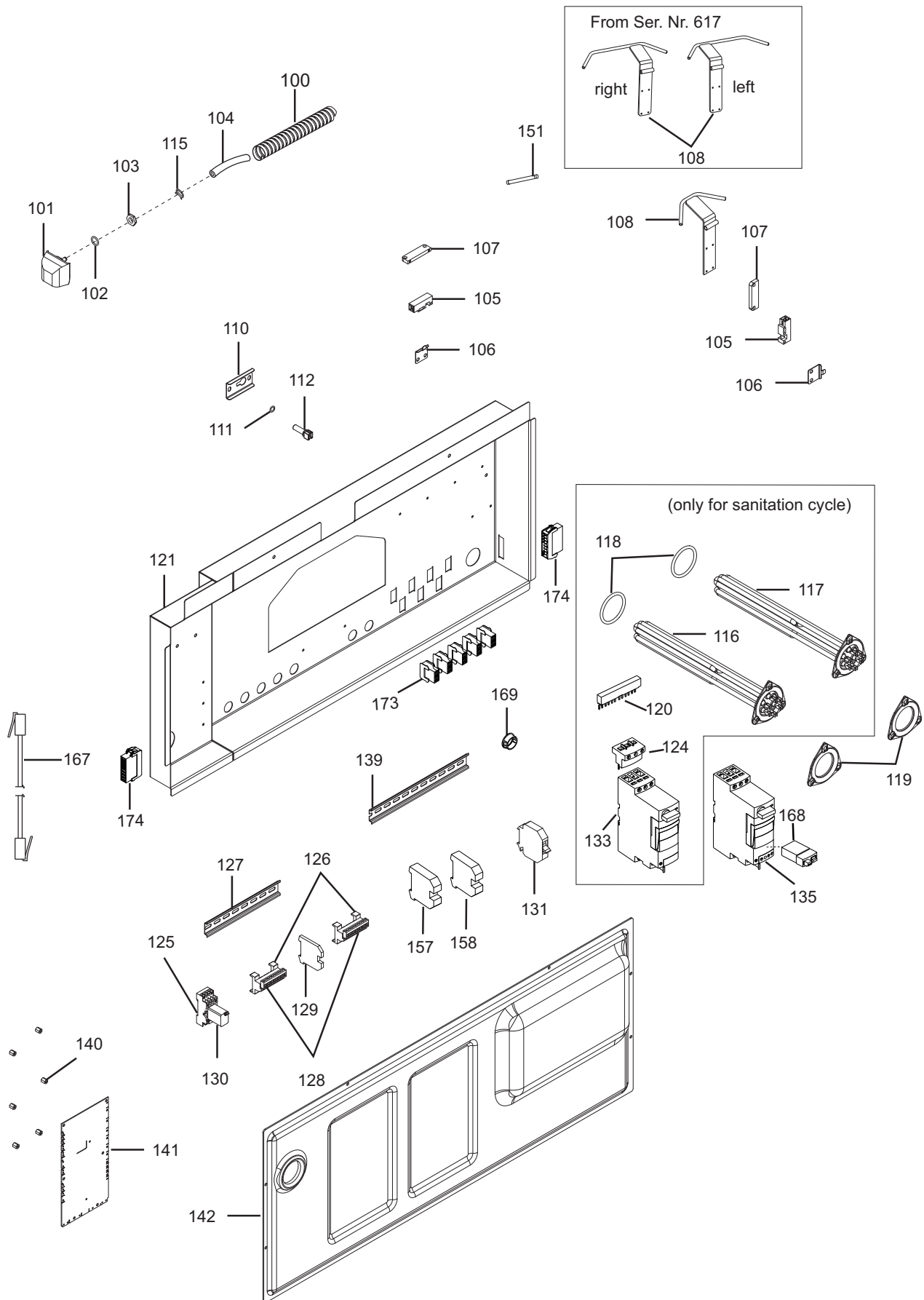
Doc. Nr.: 6-52 001

Pos.	Q.tà Q.ty	Cod.ric. Part No.	Cod. Fab. Fac. code	Descrizione	Description	Note Notes
100	1	0L1948	W00050701	Guaina a spirale	Protection cable	
101	1	048308	542604901	Trappola d'aria	Air trap	
102	1	068642	246035800	O-ring	O-ring	
103	1	049268	544623800	Dado	Nut	
104	1	072393	W00537200	Tubo pressostato	Pressure sensor pipe	
105	2	049621	654600000	Sensore reed	Reed sensor	
106	2	0L3164	502698502	Supporto sensore reed	Reed sensor support	
107	2	0L2534	699605900	Magnete	Magnet	
108	1	0L1024	830635201	Leva autostart	Autostart lever	Up to Ser. Nr.: 616
108	1	0L1164	830645801	Leva autostart dx	Right autostart lever	Right machines From Ser. Nr.: 617
108	1	0L1165	830645901	Leva autostart sx	Left autostart lever	Left machines From Ser. Nr.: 617
110	1	0L0366	507683800	Supporto sensore temperatura	Temperature probe support	
111	1	0L2303	543633Z00	O-ring	O-ring	
112	1	049643	124294000	Sonda di temperatura	Temperature probe	
115	1	0L0082	518613000	Fascetta 7.3-7.8	Clamp 7.3-7.8	
118	1	0L2304	543633Y00	O-ring	O-ring	Only for sanitization cycle
119	1	049928	507682600	Flangia cieca	Blind flange	Up to Ser. Nr.: 146
119	1	0L2629	511620B00	Flangia cieca	Blind flange	From Ser. Nr.: 147
120	1	0L1035	617623200	Resistenza 10.5kW 230V	Heating element 10.5kW 230V	Only for sanitization cycle Up to Ser. Nr.: 040
120	1	0L2759	617632101	Resistenza 10.5kW 230V	Heating element 10.5kW 230V	Only for sanitization cycle From Ser. Nr.: 041
121	1	0L1610	502693401	Supporto componenti	Components support	
122	1	0E3032	W00010100	Barra DIN L=142 mm	DIN bar L=142 mm	
123	1	0L1009	648614400	Relé	Relay	
124	1	0L1013	639626600	Morsettiera	Junction box	Only for sanitization cycle
125	1	0L0415	648613700	Zoccolo relé	Relay socket	
126	1	0L1609	639627700	Morsetto	Terminal block	
127	2	0L1037	507689200	Barra DIN L=100 mm	DIN bar L=100 mm	
130	2	0L1012	639627100	Multiconnettore (spina)	Multiconnector (plug)	
131	2	0L1010	639627000	Multiconnettore (presa)	Multiconnector (socket)	
132	1	0L1025	639626700	Barra di collegamento	Connection bar	Only for sanitization cycle
133	1	0L1222	648614102	Partenza motore pompa	Pump starter controller	1.25A÷5A
134	1	0L1016	648614301	Partenza motore resistenza	Heating element starter controller	8A÷32A Only for sanitization cycle
135	1	0E6015	652606000	Interruttore automatico	Automatic fuse	
140	6	088653	516807900	Distanziale	Spacer	
141**	1	0L1022	673607702	Scheda elettronica	Electronic board	Up to Ser. Nr.: 628
141**	1	0L1246	673609500	Scheda elettronica	Electronic board	From Ser. Nr.: 629 Up to Ser. Nr.: 639
141**	1	0L1284	673610103	Scheda elettronica	Electronic board	From Ser. Nr.: 640
141**	1	0L1284	673610103	Scheda elettronica	Electronic board	Up to Ser. Nr.: 4501
141**	1	0L3465	673612D00	Scheda elettronica	Electronic board	From Ser. Nr.: 4511
142	1	0L1038	541613600	Copertura	Cover	

**** Schede vecchie e schede nuove non possono coesistere sulla stessa macchina**
You cannot have old and new electronic boards both installed in the same machine

Pos.	Q.tà Q.ty	Cod.ric. Part No.	Cod. Fab. Fac. code	Descrizione	Description	Note Notes
151	1	0L1449	514699000	Asse autostart	Autostart pin	
157	1	0L1054	W00508900	Morsetto	Terminal block	
158	1	0E5850	W00508400	Morsetto	Terminal block	
167	1	0L1396	639629000	Cavo di comunicazione	Communication cable	Up to Ser. Nr.: 019
167	1	0L1432	639629200	Cavo di comunicazione	Communication cable	From Ser. Nr.: 020
167	1	0L1432	639629200	Cavo di comunicazione	Communication cable	Up to Ser. Nr.: 4501
167	1	0L3458	63868CG00	Cavo di comunicazione	Communication cable	From Ser. Nr.: 4511
168	1	0L1441	648615200	Contatto ausiliario	Auxiliary contact	
169	1	0L2325	543613800	Boccola a scatto	Open bushing	From Ser. Nr.: 020
173	5	0L2386	699605700	Connettore 4 vie	4 ways connector	From Ser. Nr.: 037
174	1	0L2387	699605800	Connettore 8 vie	8 ways connector	From Ser. Nr.: 037

**** Schede vecchie e schede nuove non possono coesistere sulla stessa macchina**
You cannot have old and new electronic boards both installed in the same machine



iii. 652001p17A

Prelavaggio da 1165, Componenti elettrici / Prewash from 1165, Electrical components

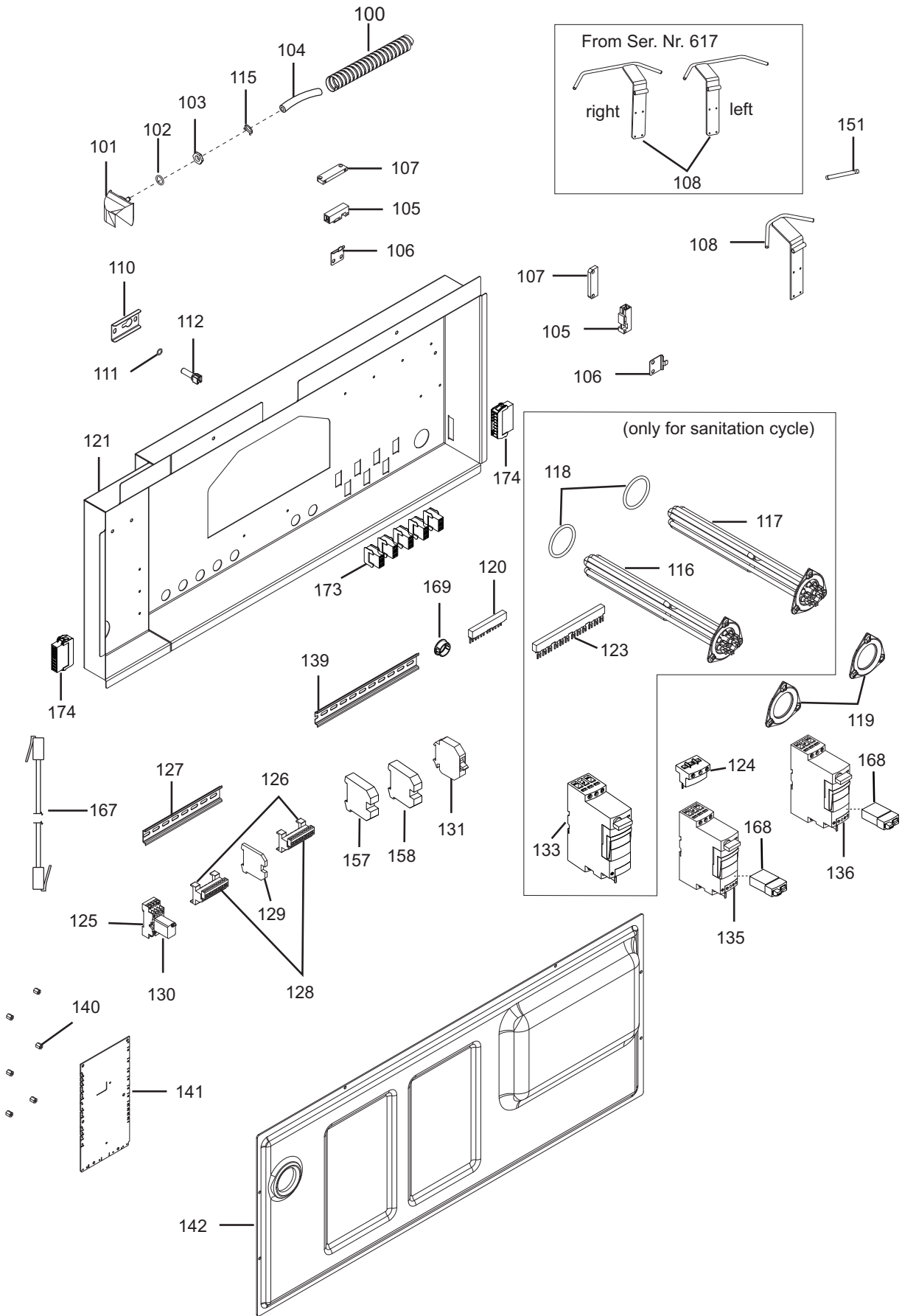
Da Ser.Nr./From Ser.nr.: 544

Prelavaggio da 1165, Componenti elettrici				ill. 652001p17A		Grassetto = variazioni
Prewash from 1165, Electrical components						Bold Print = changes
Pos.	Q.tà Q.ty	Cod.ric. Part No.	Cod. Fab. Fac. code	Descrizione	Description	Note Notes
100	1	0L1948	W00050701	Guaina a spirale	Protection cable	
101	1	048308	542604901	Trappola d'aria	Air trap	
102	1	068642	246035800	O-ring	O-ring	
103	1	049268	544623800	Dado	Nut	
104	1	072393	W00537200	Tube pressostato	Pressure sensor pipe	
105	2	049621	654600000	Sensore reed	Reed sensor	
106	2	0L3164	502698502	Supporto sensore reed	Reed sensor support	
107	2	0L2534	699605900	Magnete	Magnet	
108	1	0L1024	830635201	Leva autostart	Autostart lever	Up to Ser. Nr.: 616
108	1	0L1164	830645801	Leva autostart dx	Right autostart lever	Right machines From Ser. Nr.: 617
108	1	0L1165	830645901	Leva autostart sx	Left autostart lever	Left machines From Ser. Nr.: 617
110	1	0L0366	507683800	Supporto sensore temperat.	Temperature probe support	
111	1	0L2303	543633Z00	O-ring	O-ring	
112	1	049643	124294000	Sonda di temperatura	Temperature probe	
115	1	0L0082	518613000	Fascetta 7.3-7.8	Clamp 7.3-7.8	
116	1	0L1039	617623500	Resistenza sinistra 10.5kW 230V	Left heating element 10.5kW 230V	Only for sanitization cycle Up to Ser. Nr.: 040
116	1	0L2736	617632201	Resistenza sinistra 10.5kW 230V	Left heating element 10.5kW 230V	Only for sanitization cycle From Ser. Nr.: 041
117	1	0L1006	617623000	Resistenza destra 6kW 230V	Right heating element 6kW 230V	Only for sanitiza- tion cycle
118	2	0L2304	543633Y00	O-ring	O-ring	Only for sanitiza- tion cycle
119	2	049928	507682600	Flangia cieca	Blind flange	Up to Ser. Nr.: 146
119	2	0L2629	511620B00	Flangia cieca	Blind flange	From Ser. Nr.: 147
120	1	0L1025	639626700	Barra di collegamento	Connection bar	Only for sanitiza- tion cycle
121	1	0L1026	502693201	Supporto componenti	Components support	
124	1	0L1013	639626600	Morsettiera	Junction box	Only for sanitiza- tion cycle
125	1	0L0415	648613700	Zoccolo relé	Relay socket	
126	2	0L1010	639627000	Multiconnettore (presa)	Multiconnector (socket)	
127	1	0L1027	507621700	Barra DIN L=265 mm	DIN bar L=265 mm	
128	2	0L1012	639627100	Multiconnettore (spina)	Multiconnector (plug)	
129	1	0L1609	639627700	Morsetto	Terminal block	
130	1	0L1009	648614400	Relé	Relay	
131	1	0E6015	652606000	Interruttore automatico	Automatic fuse	
133	1	0L1016	648614301	Partenza motore resistenza vasca	Tank heating element starter controller	8A÷32A - Only for sanitization cycle
135	1	0L1036	648615300	Partenza motore pompa lav.	Wash pump starter controller	3A÷12A
139	1	0L1033	506606900	Barra DIN L=200 mm	DIN bar L=200 mm	
140	6	088653	516807900	Distanziale	Spacer	
141**	1	0L1022	673607702	Scheda elettronica	Electronic board	Up to Ser. Nr.: 628
141**	1	0L1246	673609500	Scheda elettronica	Electronic board	From Ser. Nr.: 629 Up to Ser. Nr.: 639
141**	1	0L1284	673610103	Scheda elettronica	Electronic board	From Ser. Nr.: 640

**** Schede vecchie e schede nuove non possono coesistere sulla stessa macchina**
You cannot have old and new electronic boards both installed in the same machine

Prelavaggio da 1165, Componenti elettrici Prewash from 1165, Electrical components				ill. 652001p17A	Grassetto = variazioni Bold Print = changes	
Pos.	Q.tà Q.ty	Cod.ric. Part No.	Cod. Fab. Fac. code	Descrizione	Description	Note Notes
141**	1	0L1284	673610103	Scheda elettronica	Electronic board	Up to Ser. Nr.: 4501
141**	1	0L3465	673612D00	Scheda elettronica	Electronic board	From Ser. Nr.: 4511
142	1	0L1034	541613800	Copertura	Cover	
151	1	0L1449	514699000	Asse autostart	Autostart pin	
157	1	0L1054	W00508900	Morsetto	Terminal block	
158	1	0E5850	W00508400	Morsetto	Terminal block	
167	1	0L1432	639629200	Cavo di comunicazione	Communication cable	Up to Ser Nr: 4501
167	1	0L3458	63868CG00	Cavo di comunicazione	Communication cable	From Ser Nr: 4511
168	1	0L1441	648615200	Contatto ausiliario	Auxiliary contact	
169	1	0L2325	543613800	Boccola a scatto	Open bushing	From Ser. Nr.: 020
173	5	0L2386	699605700	Connettore 4 vie	4 ways connector	From Ser. Nr.: 037
174	2	0L2387	699605800	Connettore 8 vie	8 ways connector	From Ser. Nr.: 037

**** Schede vecchie e schede nuove non possono coesistere sulla stessa macchina
You cannot have old and new electronic boards both installed in the same machine**



iii. 652001p18A

Prelavaggio da 1490, Componenti elettrici / Prewash from 1490, Electrical components

Da Ser.Nr./From Ser.nr.: 544

Prelavaggio da 1490, Componenti elettrici Prewash from 1490, Electrical components				ill. 652001p18A	Grassetto = variazioni Bold Print = changes	
Pos.	Q.tà Q.ty	Cod.ric. Part No.	Cod. Fab. Fac. code	Descrizione	Description	Note Notes
100	1	0L1948	W00050701	Guaina a spirale	Protection cable	
101	1	048308	542604901	Trappola d'aria	Air trap	
102	1	068642	246035800	O-ring	O-ring	
103	1	049268	544623800	Dado	Nut	
104	1	072393	W00537200	Tubo pressostato	Pressure sensor pipe	
105	2	049621	654600000	Sensore reed	Reed sensor	
106	2	0L3164	502698502	Supporto sensore reed	Reed sensor support	
107	2	0L2534	699605900	Magnete	Magnet	
108	1	0L1024	830635201	Leva autostart	Autostart lever	Up to Ser. Nr.: 616
108	1	0L1164	830645801	Leva autostart dx	Right autostart lever	Right machines From Ser. Nr.: 617
108	1	0L1165	830645901	Leva autostart sx	Left autostart lever	Left machines From Ser. Nr.: 617
110	1	0L0366	507683800	Supporto sensore tempera- tura	Temperature probe sup- port	
111	1	0L2303	543633Z00	O-ring	O-ring	
112	1	049643	124294000	Sonda di temperatura	Temperature probe	
116	1	0L1039	617623500	Resistenza sinistra 10.5kW 230V	Left heating element 10.5kW 230V	Only for sanitization cycle Up to Ser. Nr.: 040
116	1	0L2736	617632201	Resistenza sinistra 10.5kW 230V	Left heating element 10.5kW 230V	Only for sanitization cycle From Ser. Nr.: 041
117	1	0L1006	617623000	Resistenza destra 6kW 230V	Right heating element 6kW 230V	Only for sanitization cycle
118	2	0L2304	543633Y00	O-ring	O-ring	Only for sanitization cycle
119	2	049928	507682600	Flangia cieca	Blind flange	Up to Ser. Nr.: 146
119	2	0L2629	511620B00	Flangia cieca	Blind flange	From Ser. Nr.: 147
120	1	0L1025	639626700	Barra di collegamento	Connection bar	for 2 start controller
121	1	0L1026	502693201	Supporto componenti	Components support	
123	1	0L1004	639626900	Barra di collegamento	Connection bar	Only for sanitization cycle
124	1	0L1013	639626600	Morsettiera	Junction box	
125	1	0L0415	648613700	Zoccolo relé	Relay socket	
126	2	0L1010	639627000	Multiconnettore (presa)	Multiconnector (socket)	
127	1	0L1027	507621700	Barra DIN L=265 mm	DIN bar L=265 mm	
128	2	0L1012	639627100	Multiconnettore (spina)	Multiconnector (plug)	
129	1	0L1609	639627700	Morsetto	Terminal block	
130	1	0L1009	648614400	Relé	Relay	
131	1	0E6015	652606000	Interruttore automatico	Automatic fuse	
133	1	0L1016	648614301	Partenza motore resistenza vasca	Tank heating element star- ter controller	8A÷32A Only for sanitization cycle
135	1	0L1036	648615300	Partenza motore pompa lav sx	Left wash pump starter controller	3A÷12A
136	1	0L1018	648614101	Partenza motore pompa lav dx	Right wash pump starter controller	1.25A÷5A Up to Ser. Nr.: 620
136	1	0L1222	648614102	Partenza motore pompa lav dx	Right wash pump starter controller	1.25A÷5A From Ser. Nr.: 621

**** Schede vecchie e schede nuove non possono coesistere sulla stessa macchina
You cannot have old and new electronic boards both installed in the same machine**

Prelavaggio da 1490, Componenti elettrici Prewash from 1490, Electrical components				ill. 652001p18A	Grassetto = variazioni Bold Print = changes	
Pos.	Q.tà Q.ty	Cod.ric. Part No.	Cod. Fab. Fac. code	Descrizione	Description	Note Notes
139	1	0L1033	506606900	Barra DIN L=200 mm	DIN bar L=200 mm	
140	6	088653	516807900	Distanziale	Spacer	
141**	1	0L1022	673607702	Scheda elettronica	Electronic board	Up to Ser. Nr.: 628
141**	1	0L1246	673609500	Scheda elettronica	Electronic board	From Ser. Nr.: 629 Up to Ser. Nr.: 639
141**	1	0L1284	673610103	Scheda elettronica	Electronic board	From Ser. Nr.: 640
141**	1	0L1284	673610103	Scheda elettronica	Electronic board	Up to Ser. Nr.: 4501
141**	1	0L3465	673612D00	Scheda elettronica	Electronic board	From Ser. Nr.: 4511
142	1	0L1034	541613800	Copertura	Cover	
151	1	0L1449	514699000	Asse autostart	Autostart pin	
157	1	0L1054	W00508900	Morsetto	Terminal block	
158	1	0E5850	W00508400	Morsetto	Terminal block	
167	1	0L1432	639629200	Cavo di comunicazione	Communication cable	Up to Ser. Nr.: 4501
167	1	0L3458	63868CG00	Cavo di comunicazione	Communication cable	From Ser. Nr.: 4511
168	1	0L1441	648615200	Contatto ausiliario	Auxiliary contact	
169	1	0L2325	543613800	Boccola a scatto	Open bushing	From Ser. Nr.: 020
173	5	0L2386	699605700	Connettore 4 vie	4 ways connector	From Ser. Nr.: 037
174	2	0L2387	699605800	Connettore 8 vie	8 ways connector	From Ser. Nr.: 037

**** Schede vecchie e schede nuove non possono coesistere sulla stessa macchina
You cannot have old and new electronic boards both installed in the same machine**