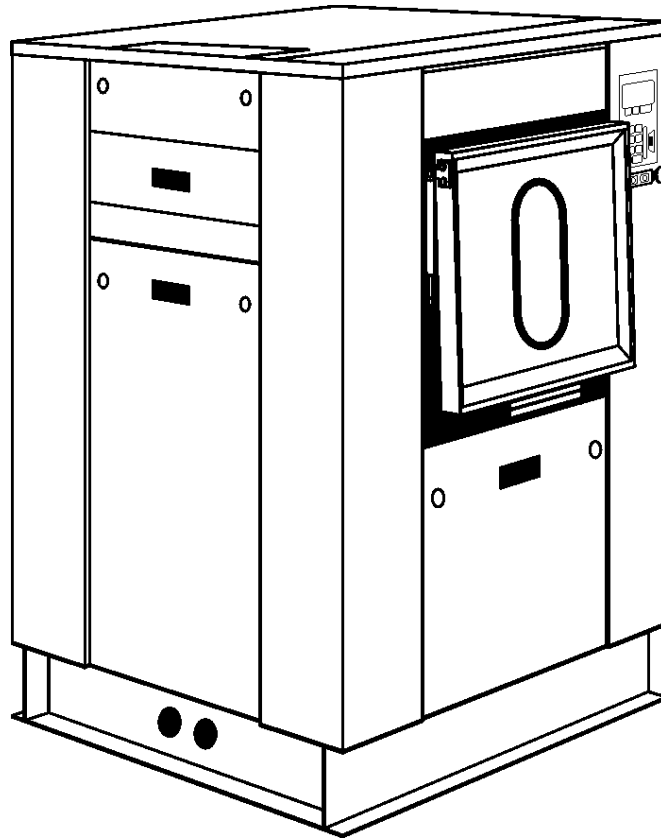


Spare Parts Catalogue  
Catalogue de pièces de rechange

---



---

WSB4 250-350-500-650 H

Barrier Washer-Extractors  
Laveuse-Essoreuse barrière

---

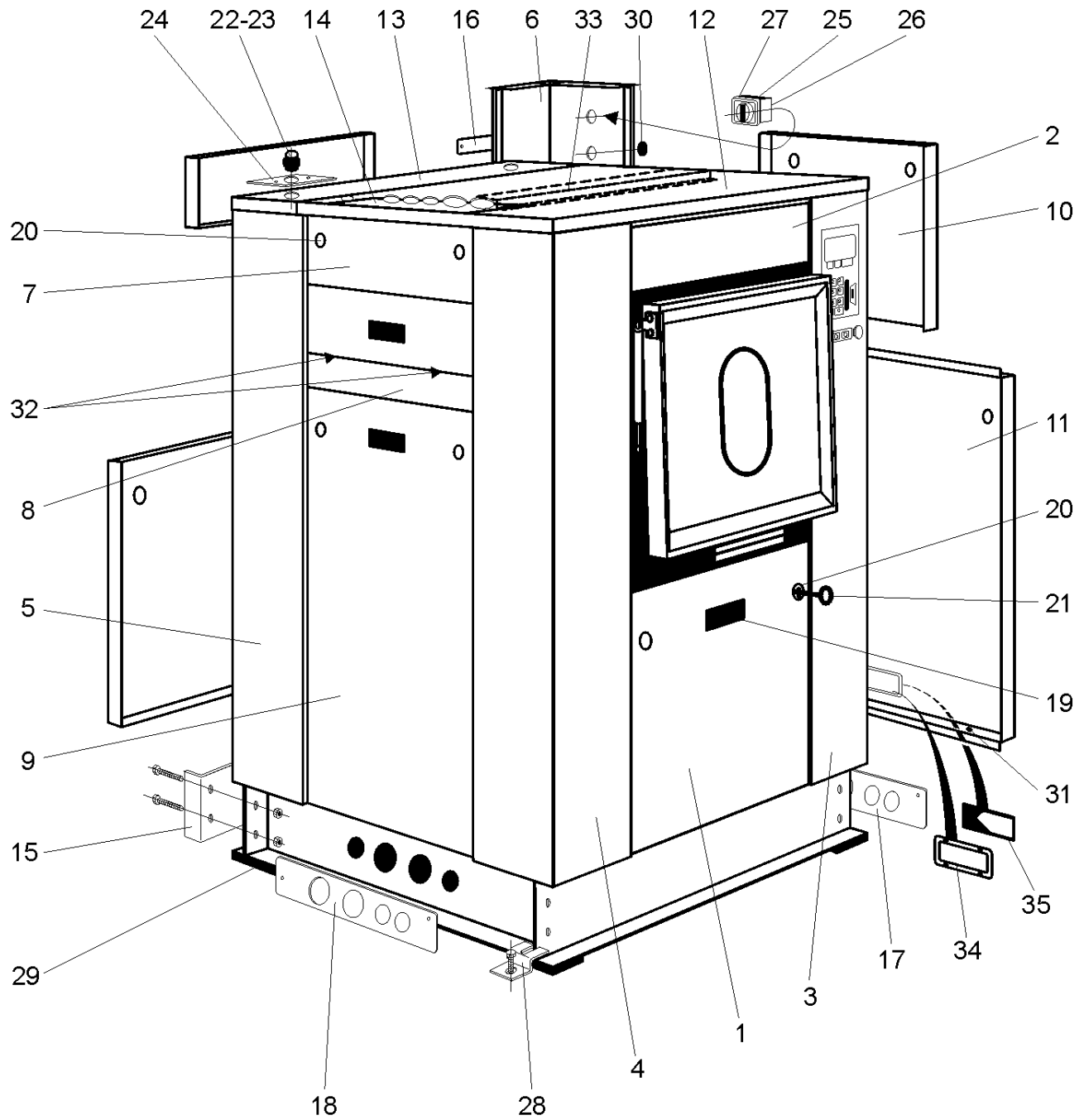
## List of issues

### **WSB4250H.,WSB4350H.,WSB4500H.,WSB4650H.**

Illustration	Page	Table of contents
610640	99	Outer drum locking device
610656	67	Gas heating
610658	101	Automatic weighing system
610714	29	Suspension
610727	63	Electrical heating
610844	97	Aseptis kit
610854	33	Outer drum door
610891	111	Sound insulation
610892	113	CMIS
611013	25	Suspension
611018	93	Ventilation kit
611026	115	Diaphragm pump kit
611042	117	Inner drum positioning with brake
611049	119	Laundry Program Manager Kit
611063	35	Drum
611064	39	Drum left bearing
611065	47	Motion
611066	41	Drum left bearing
611067	49	Drain - Overflow - Water level measuring
611068	59	Steam heating
611070	95	Out of balance switch
611071	23	Basin
611075	27	Suspension
611076	9	Casing
611077	13	Casing
611078	17	Casing
611079	21	Casing
611080	77	CLARUS Electronic programmer
611088	43	Drum right bearing
611105	61	Low pressure steam heating
611126	53	Detergents container - Air vent-Waters inlet
611131	109	HACCP option
611132	31	Suspension
611134	105	Automatic weighing system
611192	81	Switch cabinet Upper part
611193	83	Switch cabinet Lower part
611193	87	Switch cabinet Lower part
611194	37	Drum
611218	57	Detergents container - Air vent-Waters inlet
611261	91	Switch cabinet Lower part
611289	45	Drum right bearing
611304	103	Automatic weighing system
611305	107	Automatic weighing system
611462	69	Thermic fluide heating
611494	79	CLARUS Electronic programmer
611509	85	Switch cabinet Lower part
611509	89	Switch cabinet Lower part

**WSB4250H.,WSB4350H.,WSB4500H.,WSB4650H.**

Table of contents	Table des matières	Page/Page
Casing	Carrosserie	9
Casing	Carrosserie	13
Casing	Carrosserie	17
Casing	Carrosserie	21
Basin	Cuve	23
Suspension	Suspension	25
Suspension	Suspension	27
Suspension	Suspension	29
Suspension	Suspension	31
Outer drum door	Porte de cuve	33
Drum	Tambour	35
Drum	Tambour	37
Drum left bearing	Palier tambour gauche	39
Drum left bearing	Palier tambour gauche	41
Drum right bearing	Palier tambour droit	43
Drum right bearing	Palier tambour droit	45
Motion	Mouvement	47
Drain - Overflow - Water level measuring	Vidange - Trop plein - Prise de niveau	49
Detergents container - Air vent-Waters inlet	Bac à produits - Prise air - Arrivée des eaux	53
Detergents container - Air vent-Waters inlet	Bac à produits - Prise air - Arrivée des eaux	57
Steam heating	Chauffage à vapeur	59
Low pressure steam heating	Chauffage vapeur basse pression	61
Electrical heating	Chauffage électrique	63
Gas heating	Chauffage gaz	67
Thermic fluide heating	Chauffage fluide thermique	69
CLARUS Electronic programmer	Programmateur électronique CLARUS	77
CLARUS Electronic programmer	Programmateur électronique CLARUS	79
Switch cabinet Upper part	Armoire électrique supérieure	81
*Switch cabinet Lower part	Armoire électrique inférieure	83
Switch cabinet Lower part	Armoire électrique inférieure	85
*Switch cabinet Lower part	Armoire électrique inférieure	87
Switch cabinet Lower part	Armoire électrique inférieure	89
Switch cabinet Lower part	Armoire électrique inférieure	91
Ventilation kit	Kit ventilation	93
Out of balance switch	Sécurité balourd	95
Aseptic kit	Kit asepsie	97
Outer drum locking device	Système blocage cuve	99
Automatic weighing system	Système de pesage automatique	101
Automatic weighing system	Système de pesage automatique	103
Automatic weighing system	Système de pesage automatique	105
Automatic weighing system	Système de pesage automatique	107
HACCP option	Option HACCP	109
Sound insulation	Isolation phonique	111
CMIS	CMIS	113
Diaphragm pump kit	Kit pompe à membrane	115
Inner drum positioning with brake	Positionnement tambour avec frein	117
Laundry Program Manager Kit	Kit Laundry Program Manager	119



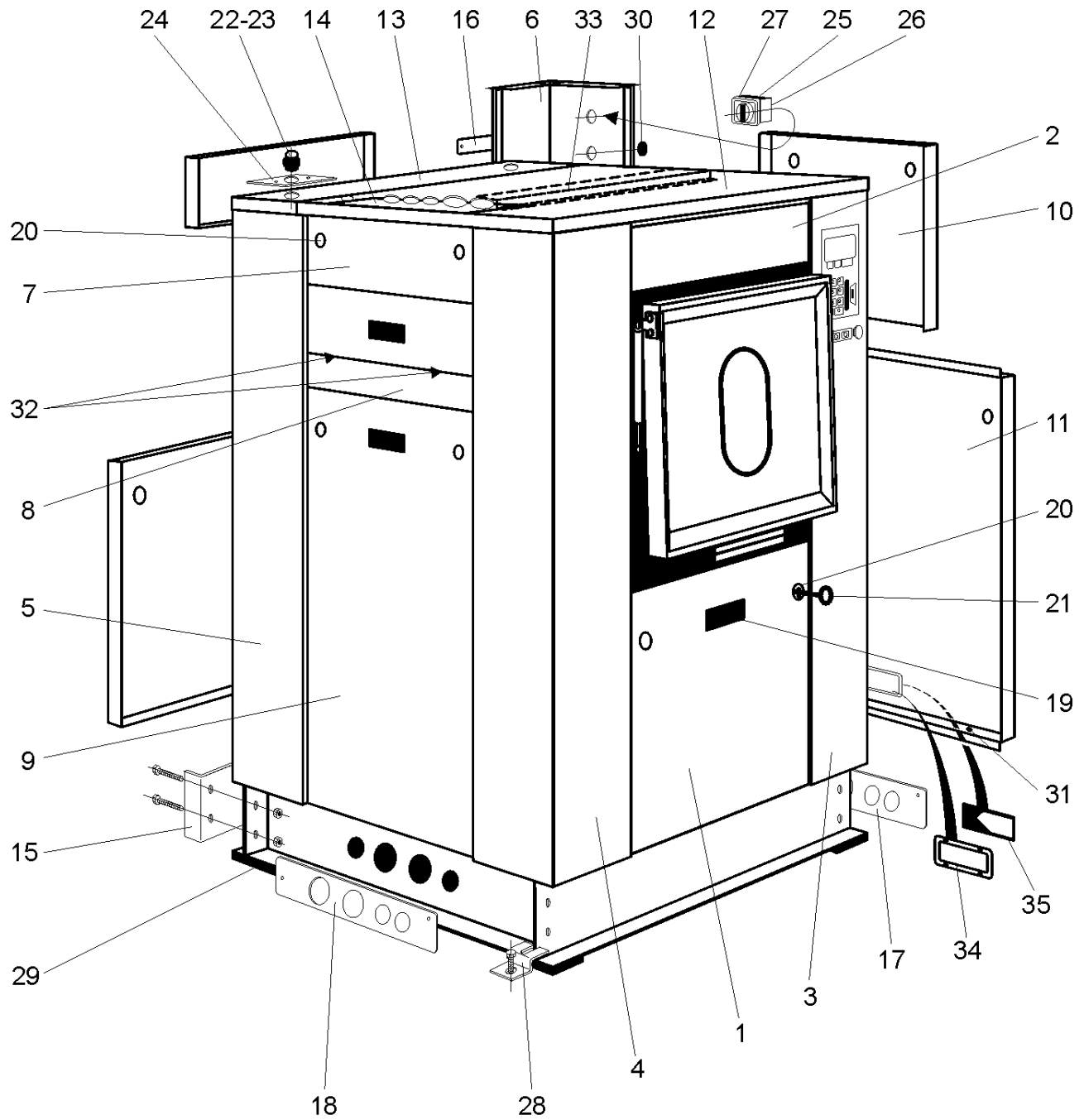
Issue	Month	Year
01	04	07

**WSB4250H.****Casing**

Illustration	Issue	Month	Year
Schéma	Issue	Month	Year
<b>611076/1</b>	<b>2</b>	<b>4</b>	<b>2007</b>

**Carrosserie**

Item Article	Qua Qua	Art.No Réf. article	Description	Description	Info Info	Notes Remarques
1	2	31100066	Front casing	Carter façade	3	Stainless steel
	2	31100230	Front casing	Carter façade	3	State Product No.
2	2	31100067	Upper side casing	Bandeau façade	3	Stainless steel
	2	31100237	Upper side casing	Bandeau façade	3	State Product No.
3	1	31101224	Pillar	Montant	3	Right front Stainless steel
	1	31101226	Pillar	Montant	3	Right front State Product No.
4	1	31100069	Pillar	Montant	3	Left front Stainless steel
	1	31100233	Pillar	Montant	3	Left front State Product No.
5	1	31100070	Pillar	Montant	3	Left back Stainless steel
	1	31100232	Pillar	Montant	3	Left back State Product No.
6	1	31101229	Pillar	Montant	3	Right back Stainless steel
	1	31101230	Pillar	Montant	3	Right back State Product No.
7	1	31100035	Splash guard	Carter de protection	3	Upper Stainless steel -93900010
	1	31105778	Splash guard	Carter de protection	3	Upper Stainless steel 93900011-
	1	31100239	Splash guard	Carter de protection	3	Upper State Product No. -93900010
	1	31105777	Splash guard	Carter de protection	3	Upper State Product No. 93900011-
8	1	31100036	Splash guard	Carter de protection	3	Lower Stainless steel -93900010
	1	31105775	Splash guard	Carter de protection	3	Lower Stainless steel 93900011-
	1	31100238	Splash guard	Carter de protection	3	Lower State Product No. -93900010
	1	31105551	Splash guard	Carter de protection	3	Lower State Product No. 93900011-
9	1	31100065	Side frame	Carter latéral	3	Stainless steel
	1	31100236	Side frame	Carter latéral	3	State Product No.
10	1	31100464	Switch cabinet door	Porte armoire électrique	3	Stainless steel
	1	31100925	Switch cabinet door	Porte armoire électrique	3	State Product No.
11	1	31104726	Side frame	Carter latéral	3	Stainless steel
	1	31104414	Side frame	Carter latéral	3	State Product No.
12	1	31100077	Hood	Capot	3	Large Stainless steel
	1	31100242	Hood	Capot	3	Large State Product No.
13	1	31100078	Hood	Capot	3	Little Stainless steel
	1	31100235	Hood	Capot	3	Little State Product No.
14	1	31100134	Hood	Capot	3	Stainless steel
	1	31100243	Hood	Capot	3	State Product No.
15	2	31101803	Sole cap	Embout semelle	3	
16	1	31101231	Protective plug	Obturateur de protection	3	Stainless steel
	1	31101232	Protective plug	Obturateur de protection	3	State Product No.
17	1	31101555	Protective plug	Obturateur de protection	3	
18	1	31101555	Protective plug	Obturateur de protection	3	
19	5	74030112	Handle	Poignée	3	
20	12	74030120	Lock	Serrure	3	L=20mm
21	3	74030141	Key	Clé	3	
22	1	71079034	Cable fitting	Presse étoupe	3	Ø16/21
23	1	71079010	Locking nut	Contre-écrou	3	Ø16
24	1	31100864	Support plate	Plaque support	3	
25	1	71054168	Main switch	Interrupteur général	1	63A Complete Electric heating
	1	71054137	Main switch	Interrupteur général	1	25A Complete Gas & steam heating
26	1	71054144	Ground terminal	Borne de terre	1	2.5mm <sup>2</sup> Electric heating
27	1	71054155	Control lever	Poignée de commande	1	Electric heating
28	2	31101361	Forked plate	Fourchette	3	
29	4	31105666	Vibrationless bolster	Patin amortisseur	1,2	
30	1	75015111	Cap	Bouchon	3	



Issue	Month	Year
01	04	07

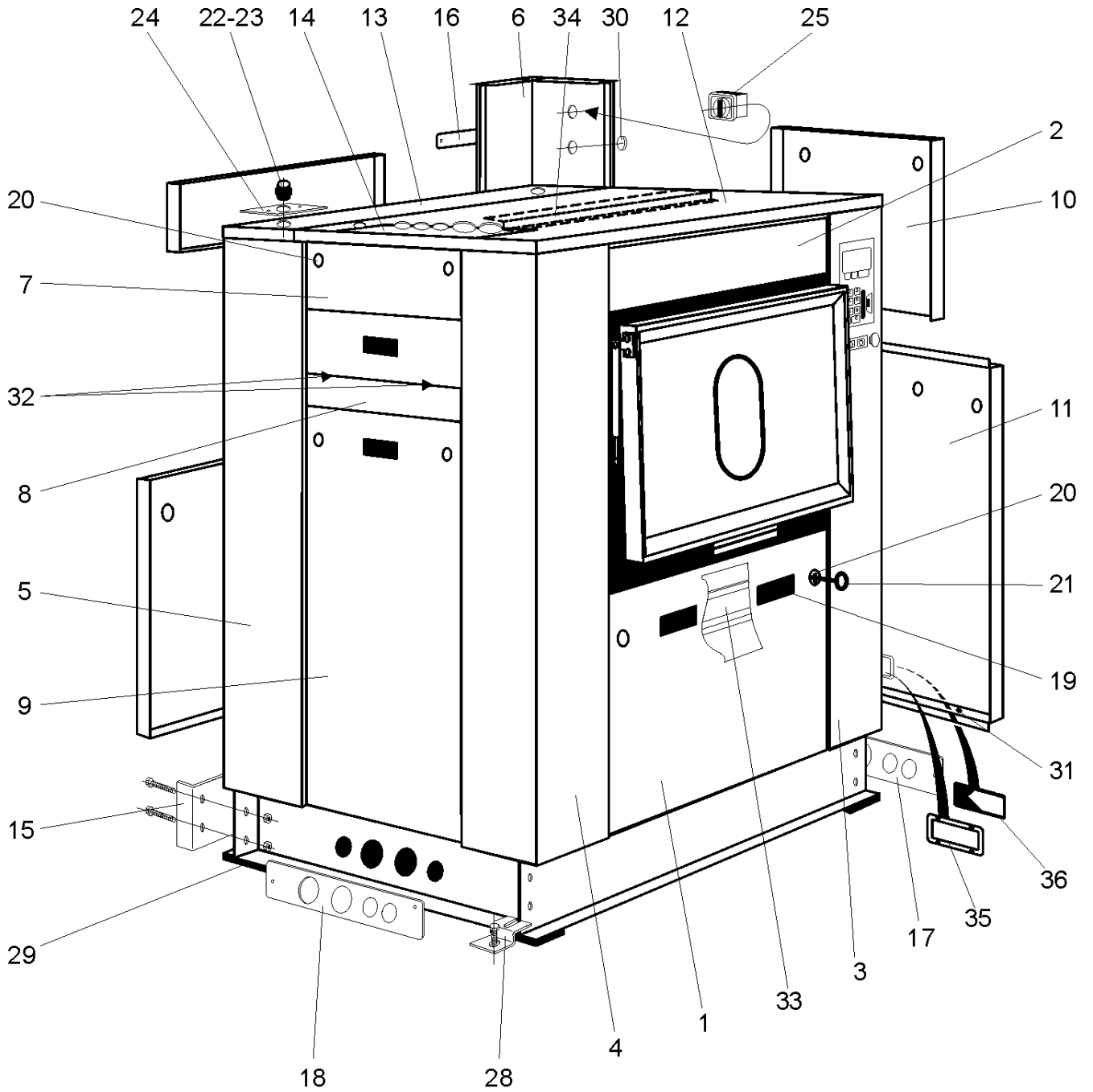
**WSB4250H.**

**Casing**

**Carrosserie**

Illustration	Issue	Month	Year
Schéma	Issue	Month	Year
<b>611076/1</b>	<b>2</b>	<b>4</b>	<b>2007</b>

Item Article	Qua Qua	Art.No Réf. article	Description	Description	Info Info	Notes Remarques
<b>31</b>	8	<b>75015105</b>	Grommet	Passe-fil	3	Ø14
<b>32</b>	2	<b>75019001</b>	Rubber stop	Butée caoutchouc	3	
<b>33</b>	1	<b>31100126</b>	Support	Renfort	3	
<b>34</b>	1	<b>31104406</b>	Filter support	Support filtre	3	
<b>35</b>	1	<b>31104412</b>	Metal filter	Filtre métallique	3	



Issue	Month	Year
01	04	07

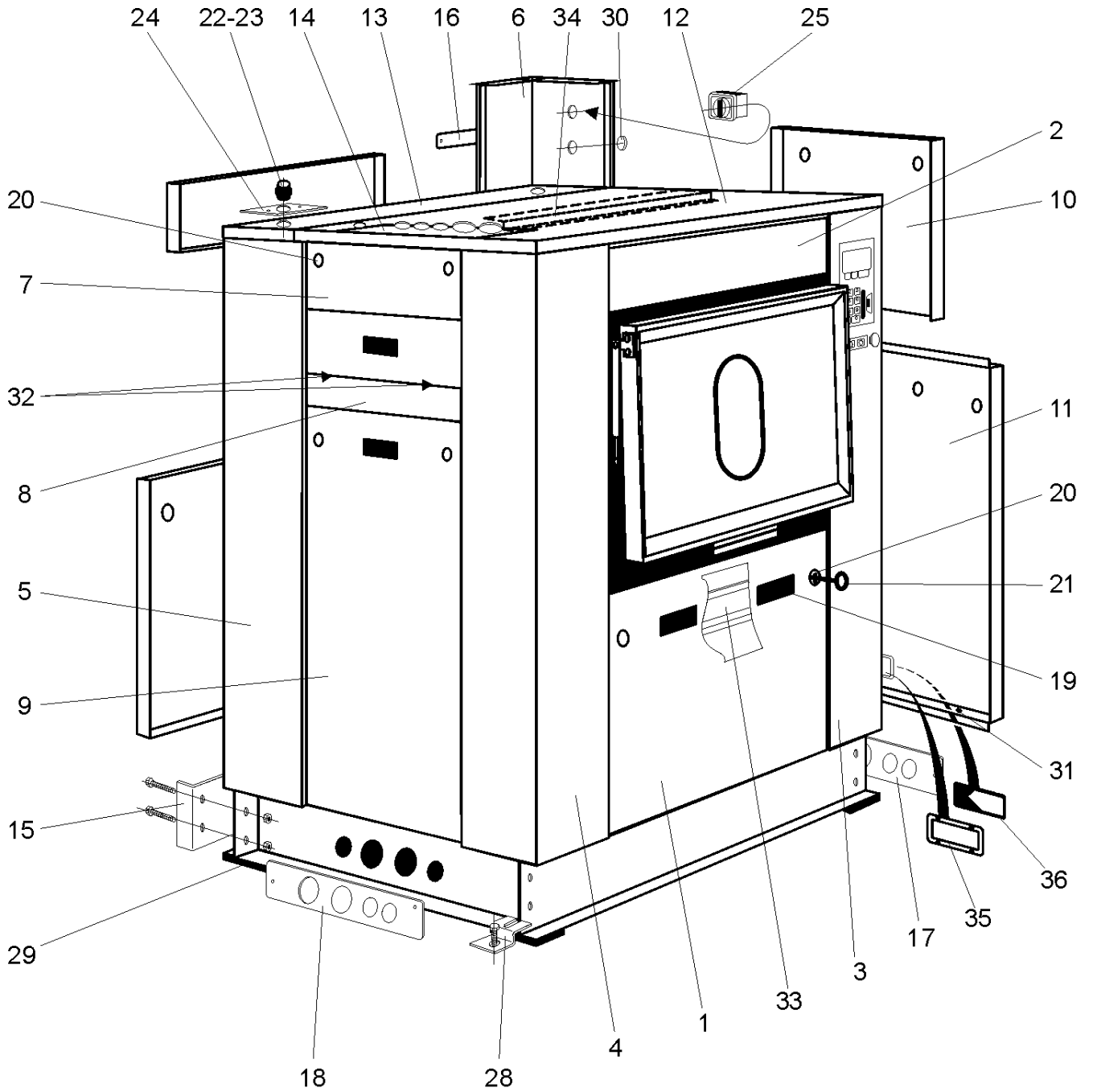


**WSB4350H.**

**Casing  
Carrosserie**

Illustration Issue Month Year  
Schéma Issue Month Year  
**611077/1 2 4 2007**

Item Article	Qua Qua	Art.No Réf. article	Description	Description	Info Info	Notes Remarques
1	2	31100682	Front casing	Carter façade	3	Stainless steel
	2	31100687	Front casing	Carter façade	3	State Product No.
2	2	31100681	Upper side casing	Bandeau façade	3	Stainless steel
	2	31100686	Upper side casing	Bandeau façade	3	State Product No.
3	1	31101224	Pillar	Montant	3	Right front Stainless steel
	1	31101226	Pillar	Montant	3	Right front State Product No.
4	1	31100069	Pillar	Montant	3	Left front Stainless steel
	1	31100233	Pillar	Montant	3	Left front State Product No.
5	1	31100070	Pillar	Montant	3	Left back Stainless steel
	1	31100232	Pillar	Montant	3	Left back State Product No.
6	1	31101229	Pillar	Montant	3	Right back Stainless steel
	1	31101230	Pillar	Montant	3	Right back State Product No.
7	1	31100035	Splash guard	Carter de protection	3	Upper Stainless steel -93900010
	1	31105778	Splash guard	Carter de protection	3	Upper Stainless steel 93900011-
	1	31100239	Splash guard	Carter de protection	3	Upper State Product No. -93900010
	1	31105777	Splash guard	Carter de protection	3	Upper State Product No. 93900011-
8	1	31100036	Splash guard	Carter de protection	3	Lower Stainless steel -93900010
	1	31105775	Splash guard	Carter de protection	3	Lower Stainless steel 93900011-
	1	31100238	Splash guard	Carter de protection	3	Lower State Product No. -93900010
	1	31105551	Splash guard	Carter de protection	3	Lower State Product No. 93900011-
9	1	31100065	Side frame	Carter latéral	3	Stainless steel
	1	31100236	Side frame	Carter latéral	3	State Product No.
10	1	31100464	Switch cabinet door	Porte armoire électrique	3	Stainless steel
	1	31100925	Switch cabinet door	Porte armoire électrique	3	State Product No.
11	1	31104726	Side frame	Carter latéral	3	Stainless steel
	1	31104414	Side frame	Carter latéral	3	State Product No.
12	1	31100679	Hood	Capot	3	Large Stainless steel
	1	31100684	Hood	Capot	3	Large State Product No.
13	1	31100680	Hood	Capot	3	Little Stainless steel
	1	31100685	Hood	Capot	3	Little State Product No.
14	1	31100134	Hood	Capot	3	Stainless steel
	1	31100243	Hood	Capot	3	State Product No.
15	2	31101803	Sole cap	Embout semelle	3	
16	1	31101231	Protective plug	Obturateur de protection	3	Stainless steel
	1	31101232	Protective plug	Obturateur de protection	3	State Product No.
17	1	31101555	Protective plug	Obturateur de protection	3	
18	1	31101555	Protective plug	Obturateur de protection	3	
19	7	74030112	Handle	Poignée	3	
20	12	74030120	Lock	Serrure	3	L=20mm
21	3	74030141	Key	Clé	3	
22	1	71079034	Cable fitting	Presse étoupe	3	Ø16/21
23	1	71079010	Locking nut	Contre-écrou	3	Ø16
24	1	31100864	Support plate	Plaque support	3	
25	1	71054168	Main switch	Interrupteur général	1	63A Complete Electric heating
	1	71054137	Main switch	Interrupteur général	1	25A Complete Gas & steam heating
26	-					Not used
27	-					Not used
28	2	31101361	Forked plate	Fourchette	3	
29	4	31105666	Vibrationless bolster	Patin amortisseur	1,2	
30	1	75015111	Cap	Bouchon	3	



Issue	Month	Year
01	04	07

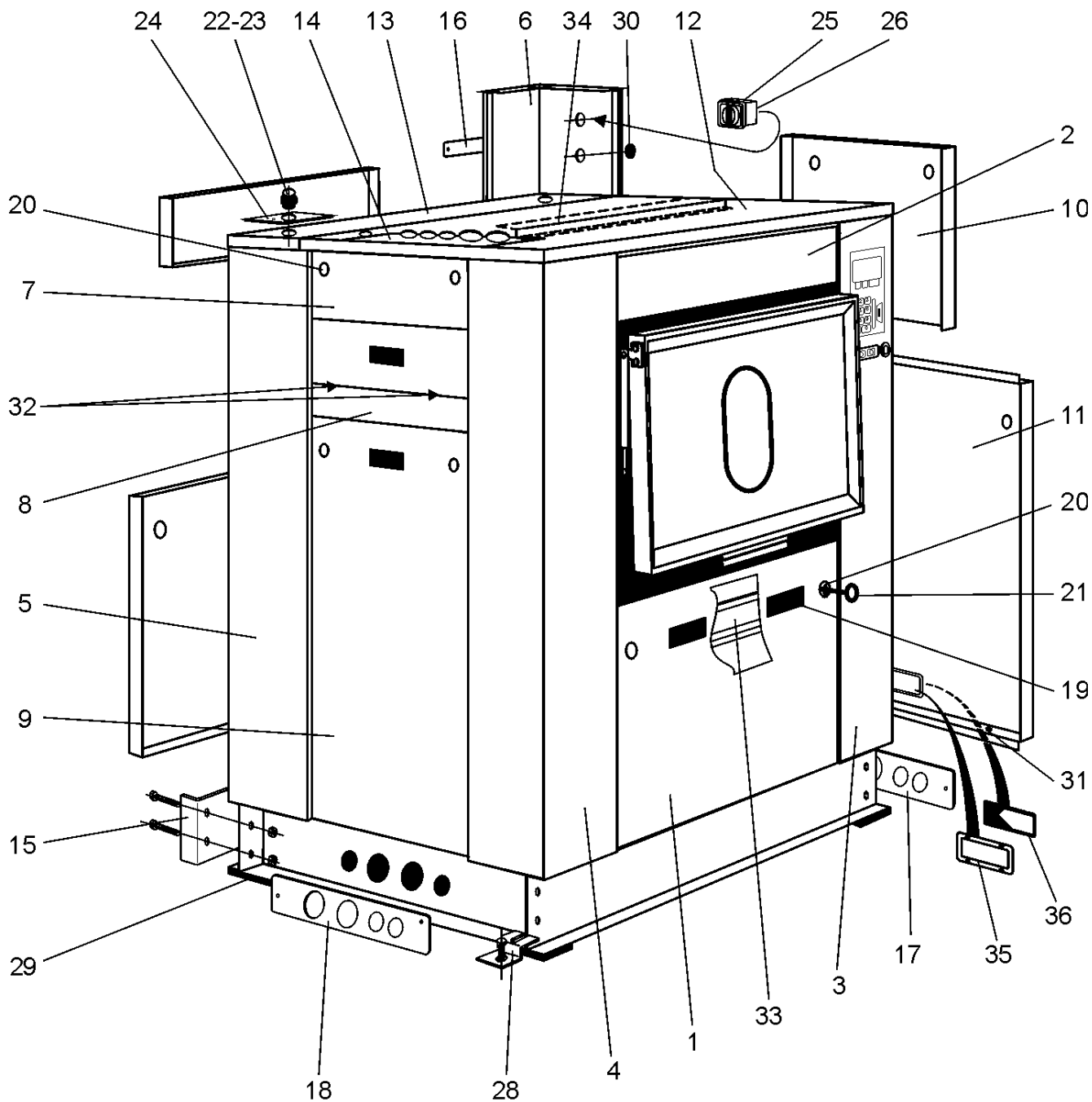
**WSB4350H.**

**Casing**

**Carrosserie**

Illustration	Issue	Month	Year
Schéma	Issue	Month	Year
<b>611077/1</b>	<b>2</b>	<b>4</b>	<b>2007</b>

Item Article	Qua Qua	Art.No Réf. article	Description	Description	Info Info	Notes Remarques
<b>31</b>	8	<b>75015105</b>	Grommet	Passe-fil	3	Ø14
<b>32</b>	2	<b>75019001</b>	Rubber stop	Butée caoutchouc	3	
<b>33</b>	2	<b>31101412</b>	Support	Renfort	3	
<b>34</b>	1	<b>31100683</b>	Support	Renfort	3	Upper
<b>35</b>	1	<b>31104406</b>	Filter support	Support filtre	3	
<b>36</b>	1	<b>31104412</b>	Metal filter	Filtre métallique	3	

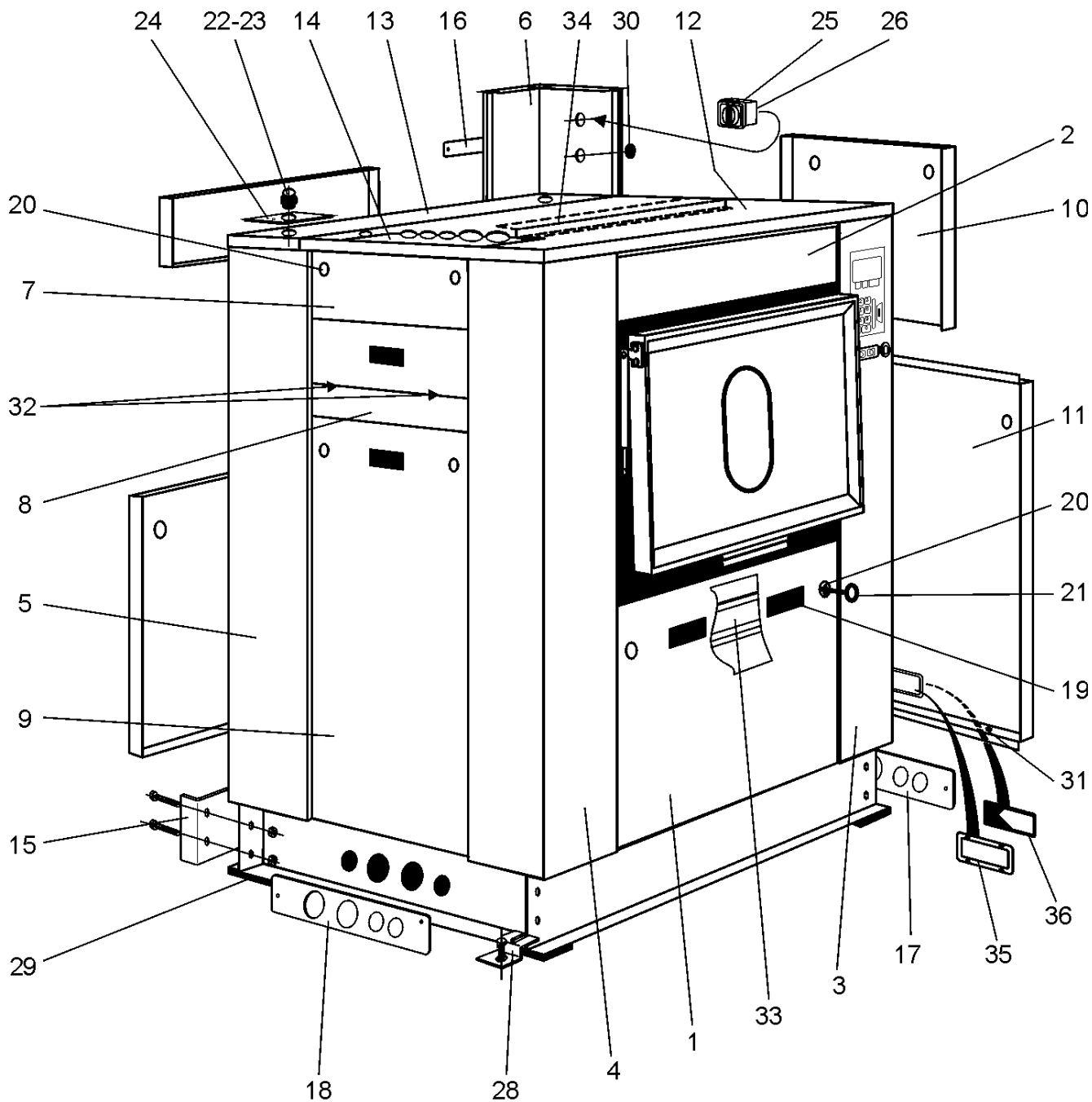


Issue	Month	Year
01	04	07

**WSB4500H.****Casing****Carrosserie**

Illustration	Issue	Month	Year
Schéma	Issue	Month	Year
<b>611078/1</b>	<b>2</b>	<b>4</b>	<b>2007</b>

Item Article	Qua Qua	Art.No Réf. article	Description	Description	Info Info	Notes Remarques
1	2	31100431	Front casing	Carter façade	3	Stainless steel
	2	31100597	Front casing	Carter façade	3	State Product No.
2	2	31100432	Upper side casing	Bandeau façade	3	Stainless steel
	2	31100598	Upper side casing	Bandeau façade	3	State Product No.
3	1	31101224	Pillar	Montant	3	Right front Stainless steel
	1	31101226	Pillar	Montant	3	Right front State Product No.
4	1	31100069	Pillar	Montant	3	Left front Stainless steel
	1	31100233	Pillar	Montant	3	Left front State Product No.
5	1	31100070	Pillar	Montant	3	Left back Stainless steel
	1	31100232	Pillar	Montant	3	Left back State Product No.
6	1	31101229	Pillar	Montant	3	Right back Stainless steel
	1	31101230	Pillar	Montant	3	Right back State Product No.
7	1	31100035	Splash guard	Carter de protection	3	Upper Stainless steel -93900010
	1	31105778	Splash guard	Carter de protection	3	Upper Stainless steel 93900011-
	1	31100239	Splash guard	Carter de protection	3	Upper State Product No. -93900010
	1	31105777	Splash guard	Carter de protection	3	Upper State Product No. 93900011-
8	1	31100036	Splash guard	Carter de protection	3	Lower Stainless steel -93900010
	1	31105775	Splash guard	Carter de protection	3	Lower Stainless steel 93900011-
	1	31100238	Splash guard	Carter de protection	3	Lower State Product No. -93900010
	1	31105551	Splash guard	Carter de protection	3	Lower State Product No. 93900011-
9	1	31100065	Side frame	Carter latéral	3	Stainless steel
	1	31100236	Side frame	Carter latéral	3	State Product No.
10	1	31100464	Switch cabinet door	Porte armoire électrique	3	Stainless steel
	1	31100925	Switch cabinet door	Porte armoire électrique	3	State Product No.
11	1	31104726	Side frame	Carter latéral	3	Stainless steel
	1	31104414	Side frame	Carter latéral	3	State Product No.
12	1	31100433	Hood	Capot	3	Large Stainless steel
	1	31100599	Hood	Capot	3	Large State Product No.
13	1	31100434	Hood	Capot	3	Little Stainless steel
	1	31100600	Hood	Capot	3	Little State Product No.
14	1	31100134	Hood	Capot	3	Stainless steel
	1	31100243	Hood	Capot	3	State Product No.
15	2	31101803	Sole cap	Embout semelle	3	
16	1	31101231	Protective plug	Obturateur de protection	3	Stainless steel
	1	31101232	Protective plug	Obturateur de protection	3	State Product No.
17	1	31101555	Protective plug	Obturateur de protection	3	
18	1	31101555	Protective plug	Obturateur de protection	3	
19	7	74030112	Handle	Poignée	3	
20	12	74030120	Lock	Serrure	3	L=20mm
21	3	74030141	Key	Clé	3	
22	1	71079034	Cable fitting	Presse étoupe	3	Ø16/21 Gas & steam heating
	1	71079035	Cable fitting	Presse étoupe	3	Ø29/36 Electric heating
23	1	71079010	Locking nut	Contre-écrou	3	Ø16 Gas & steam heating
	1	71079012	Locking nut	Contre-écrou	3	Ø29 Electric heating
24	1	31100864	Support plate	Plaque support	3	
25	1	71054135	Main switch	Interrupteur général	1	100A Electric heating
	1	71054137	Main switch	Interrupteur général	1	25A Complete Gas & steam heating
26	1	71054136	Fender waling	Capot de protection	3	Electric heating
27	-					Not used
28	2	31101361	Forked plate	Fourchette	3	



Issue	Month	Year
01	04	07

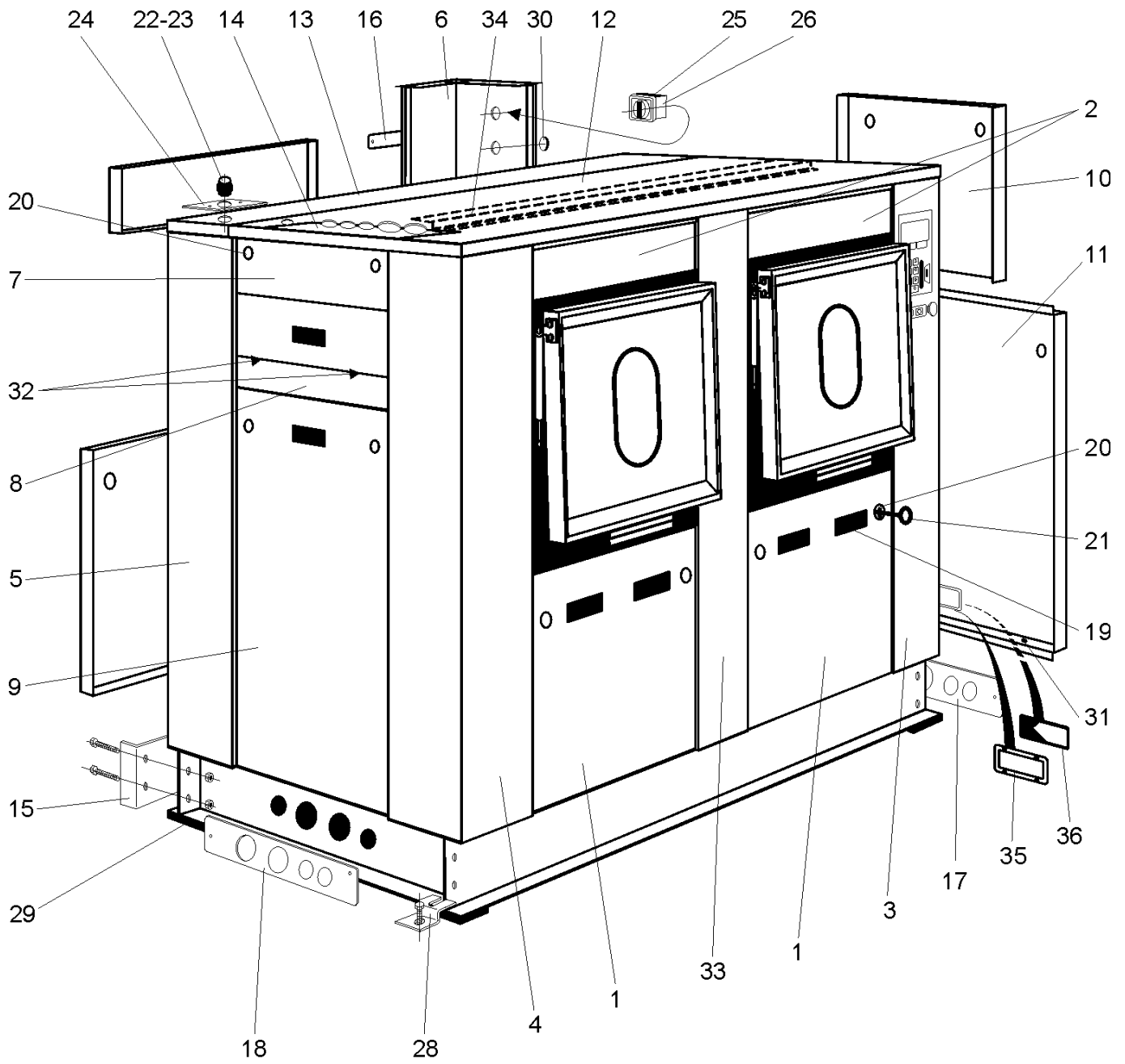
**WSB4500H.**

**Casing**

**Carrosserie**

Illustration	Issue	Month	Year
Schéma	Issue	Month	Year
<b>611078/1</b>	<b>2</b>	<b>4</b>	<b>2007</b>

Item Article	Qua Qua	Art.No Réf. article	Description	Description	Info Info	Notes Remarques
<b>29</b>	4	<b>31105666</b>	Vibrationless bolster	Patin amortisseur	1,2	
<b>30</b>	1	<b>75015111</b>	Cap	Bouchon	3	
<b>31</b>	8	<b>75015105</b>	Grommet	Passe-fil	3	Ø14
<b>32</b>	2	<b>75019001</b>	Rubber stop	Butée caoutchouc	3	
<b>33</b>	1	<b>31100569</b>	Support	Renfort	3	Horizontal
<b>34</b>	1	<b>31100486</b>	Support	Renfort	3	
<b>35</b>	1	<b>31104406</b>	Filter support	Support filtre	3	
<b>36</b>	1	<b>31104412</b>	Metal filter	Filtre métallique	3	



Issue	Month	Year
01	04	07

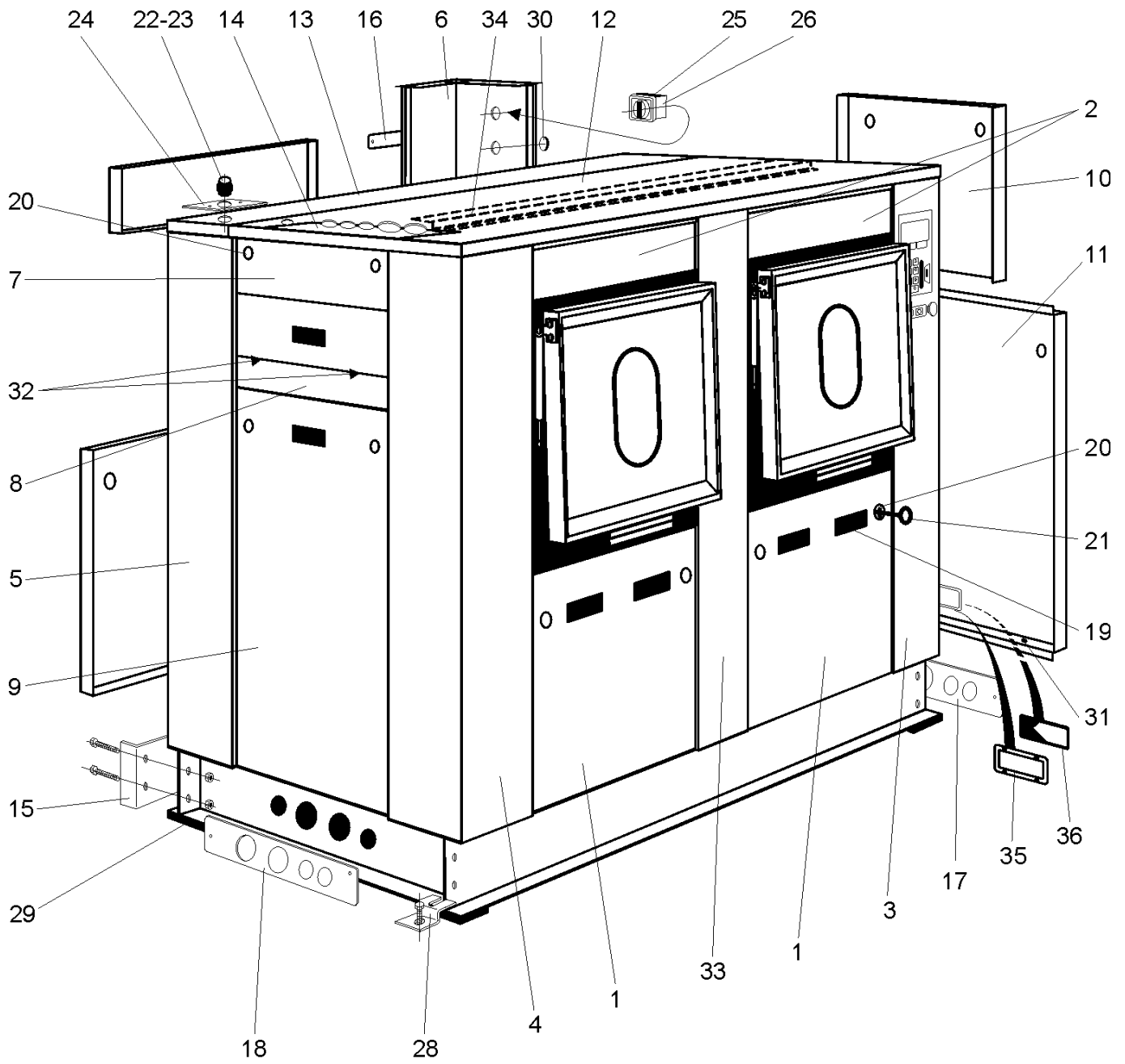


**WSB4650H.**

**Casing  
Carrosserie**

Illustration Issue Month Year  
Schéma Issue Month Year  
**611079/1 2 4 2007**

Item Article	Qua Qua	Art.No Réf. article	Description	Description	Info Info	Notes Remarques
1	4	31101347	Front casing	Carter façade	3	Stainless steel
	4	31100495	Front casing	Carter façade	3	State Product No.
2	4	31101353	Upper side casing	Bandeau façade	3	Stainless steel
	4	31100697	Upper side casing	Bandeau façade	3	State Product No.
3	1	31101224	Pillar	Montant	3	Right front Stainless steel
	1	31101226	Pillar	Montant	3	Right front State Product No.
4	1	31100069	Pillar	Montant	3	Left front Stainless steel
	1	31100233	Pillar	Montant	3	Left front State Product No.
5	1	31100070	Pillar	Montant	3	Left back Stainless steel
	1	31100232	Pillar	Montant	3	Left back State Product No.
6	1	31101229	Pillar	Montant	3	Right back Stainless steel
	1	31101230	Pillar	Montant	3	Right back State Product No.
7	1	31100035	Splash guard	Carter de protection	3	Upper Stainless steel -93900010
	1	31105778	Splash guard	Carter de protection	3	Upper Stainless steel 93900011-
	1	31100239	Splash guard	Carter de protection	3	Upper State Product No. -93900010
	1	31105577	Barrier seal holding device	Maintien bavette	3	Right State Product No. 93900011-
8	1	31100036	Splash guard	Carter de protection	3	Lower Stainless steel -93900010
	1	31105775	Splash guard	Carter de protection	3	Lower Stainless steel 93900011-
	1	31100238	Splash guard	Carter de protection	3	Lower State Product No. -93900010
	1	31105551	Splash guard	Carter de protection	3	Lower State Product No. 93900011-
9	1	31100065	Side frame	Carter latéral	3	Stainless steel
	1	31100236	Side frame	Carter latéral	3	State Product No.
10	1	31100464	Switch cabinet door	Porte armoire électrique	3	Stainless steel
	1	31100925	Switch cabinet door	Porte armoire électrique	3	State Product No.
11	1	31104726	Side frame	Carter latéral	3	Stainless steel
	1	31104414	Side frame	Carter latéral	3	State Product No.
12	1	31101348	Hood	Capot	3	Large Stainless steel
	1	31100499	Hood	Capot	3	Little State Product No.
13	1	31101349	Hood	Capot	3	Little Stainless steel
	1	31100500	Hood	Capot	3	Little State Product No.
14	1	31100134	Hood	Capot	3	Stainless steel
	1	31100243	Hood	Capot	3	State Product No.
15	2	31101803	Sole cap	Embout semelle	3	
16	1	31101231	Protective plug	Obturateur de protection	3	Stainless steel
	1	31101232	Protective plug	Obturateur de protection	3	State Product No.
17	1	31101555	Protective plug	Obturateur de protection	3	
18	1	31101555	Protective plug	Obturateur de protection	3	
19	11	74030112	Handle	Poignée	3	
20	16	74030120	Lock	Serrure	3	L=20mm
21	3	74030141	Key	Clé	3	
22	1	71079034	Cable fitting	Presse étoupe	3	Ø16/21 Gas & steam heating
	1	71079035	Cable fitting	Presse étoupe	3	Ø29/36 Electric heating
23	1	71079010	Locking nut	Contre-écrou	3	Ø16 Gas & steam heating
	1	71079012	Locking nut	Contre-écrou	3	Ø29 Electric heating
24	1	31100864	Support plate	Plaque support	3	
25	1	71054135	Main switch	Interrupteur général	3	100A Electric heating
	1	71054137	Main switch	Interrupteur général	1	25A Complete Gas & steam heating
26	1	71054136	Fender waling	Capot de protection	3	Electric heating
27	-					Not used
28	2	31101361	Forked plate	Fourchette	3	



Issue	Month	Year
01	04	07

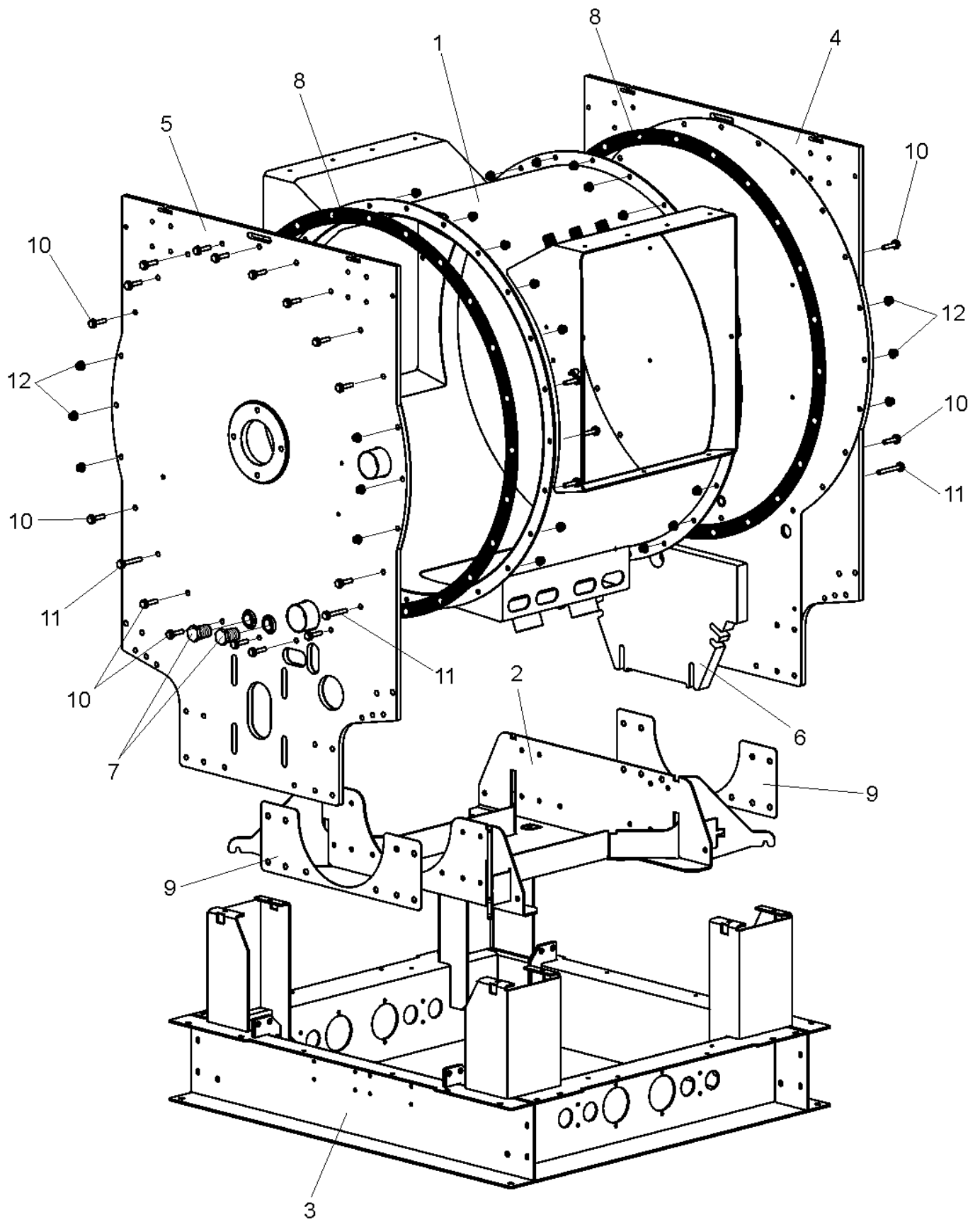
**WSB4650H.**

**Casing**

**Carrosserie**

Illustration Issue Month Year  
Schéma Issue Month Year  
**611079/1 2 4 2007**

Item Article	Qua Qua	Art.No Réf. article	Description	Description	Info Info	Notes Remarques
<b>29</b>	4	<b>31003460</b>	Gripsol bolster	Patin Gripsol	1,2	
<b>30</b>	1	<b>75015111</b>	Cap	Bouchon	3	
<b>31</b>	8	<b>75015105</b>	Grommet	Passe-fil	3	Ø14
<b>32</b>	2	<b>75019001</b>	Rubber stop	Butée caoutchouc	3	
<b>33</b>	2	<b>31101357</b>	Pillar	Montant	3	Stainless steel
	2	<b>31100430</b>	Pillar	Montant	3	State Product No.
<b>34</b>	1	<b>31100501</b>	Support	Renfort	3	Upper
<b>35</b>	1	<b>31104406</b>	Filter support	Support filtre	3	
<b>36</b>	1	<b>31104412</b>	Metal filter	Filtre métallique	3	



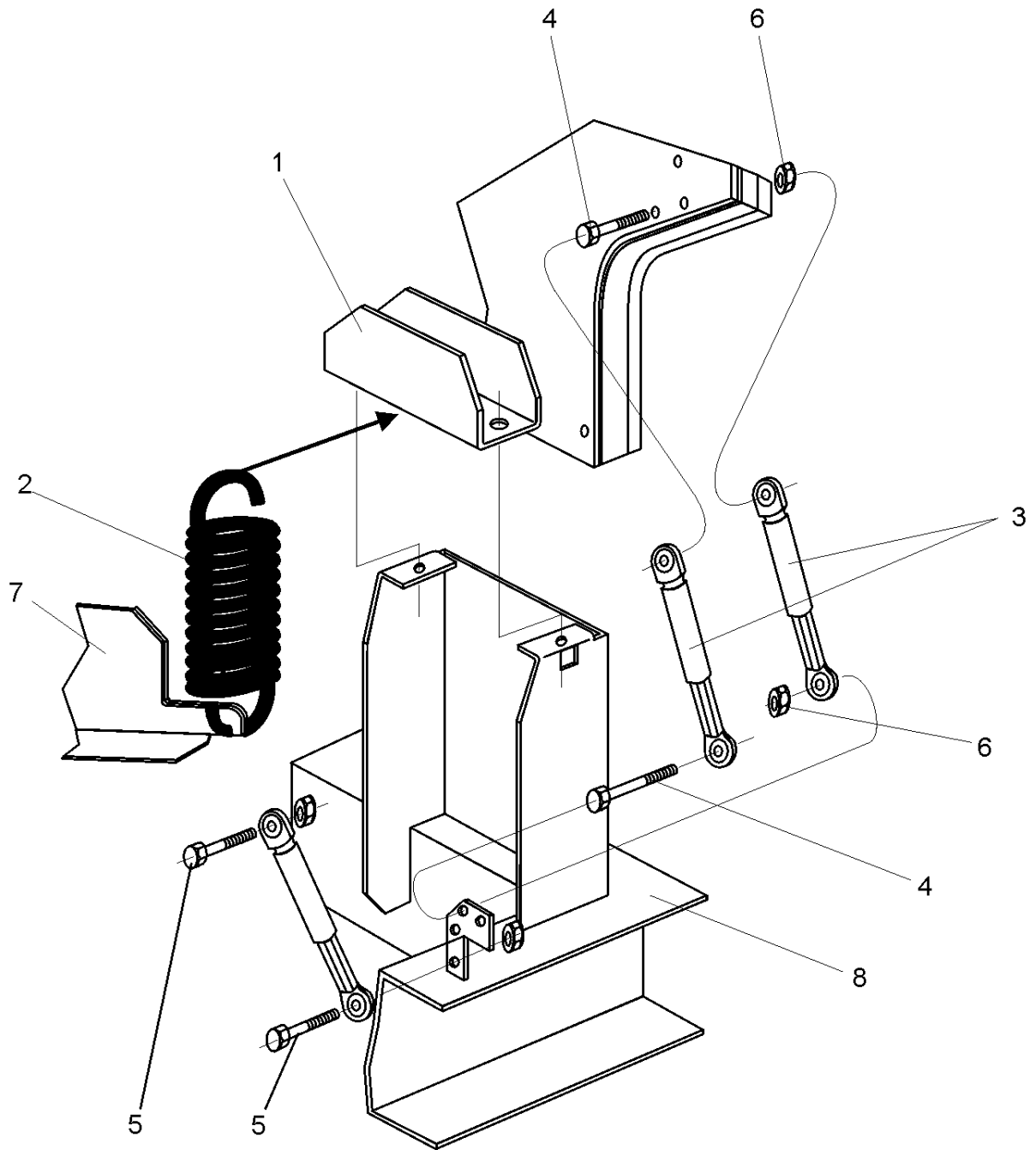
Issue	Month	Year
02	09	11

**WSB4250H.,WSB4350H.,WSB4500H.,WSB4650H.**

**Basin**  
**Cuve**

Illustration Issue Month Year  
Schéma Issue Month Year  
**611071/2 3 9 2011**

Item Article	Quantity Quantité	Art.No Réf. article	Description	Description	Info Info	Notes Remarques
			WSB4250H.			
			WSB4350H.			
			WSB4500H.			
			WSB4650H.			
1	1	31102624	Basin	Cuve	3	
	1	31102626	Basin	Cuve	3	
	1	31102628	Basin	Cuve	3	
	1	31102630	Basin	Cuve	3	
2	1	31102707	Platform	Plateforme	3	
	1	31102705	Platform	Plateforme	3	
	1	31102697	Platform	Plateforme	3	
	1	31102700	Platform	Plateforme	3	
3	1	31100090	Sole plate	Semelle	3	
	1	31100673	Sole plate	Semelle	3	
	1	31100568	Sole plate	Semelle	3	
	1	31101346	Sole plate	Semelle	3	
4	1	31102431	Plate	Plaque	3	Right +
5	1	31102432	Plate	Plaque	3	anticorrosive sheet Left + anticorrosive sheet
6	1	31101572	Balance weight	Masse équilibrage	3	
	1	31101573	Balance weight	Masse équilibrage	3	
7	1	74014037	Cap	Bouchon	3	G3/4"
8	2	31102613	Sealing gasket	Joint étanchéité	3	
9	2	31102557	Block	Cale	3	
10	44	74020280010	Screw	Vis	3	M8x35 10 units
11	4	74020283010	Screw	Vis	3	M8x50 10 units
12	48	74033254010	Locking nut	Ecrou frein	3	M8 10 units



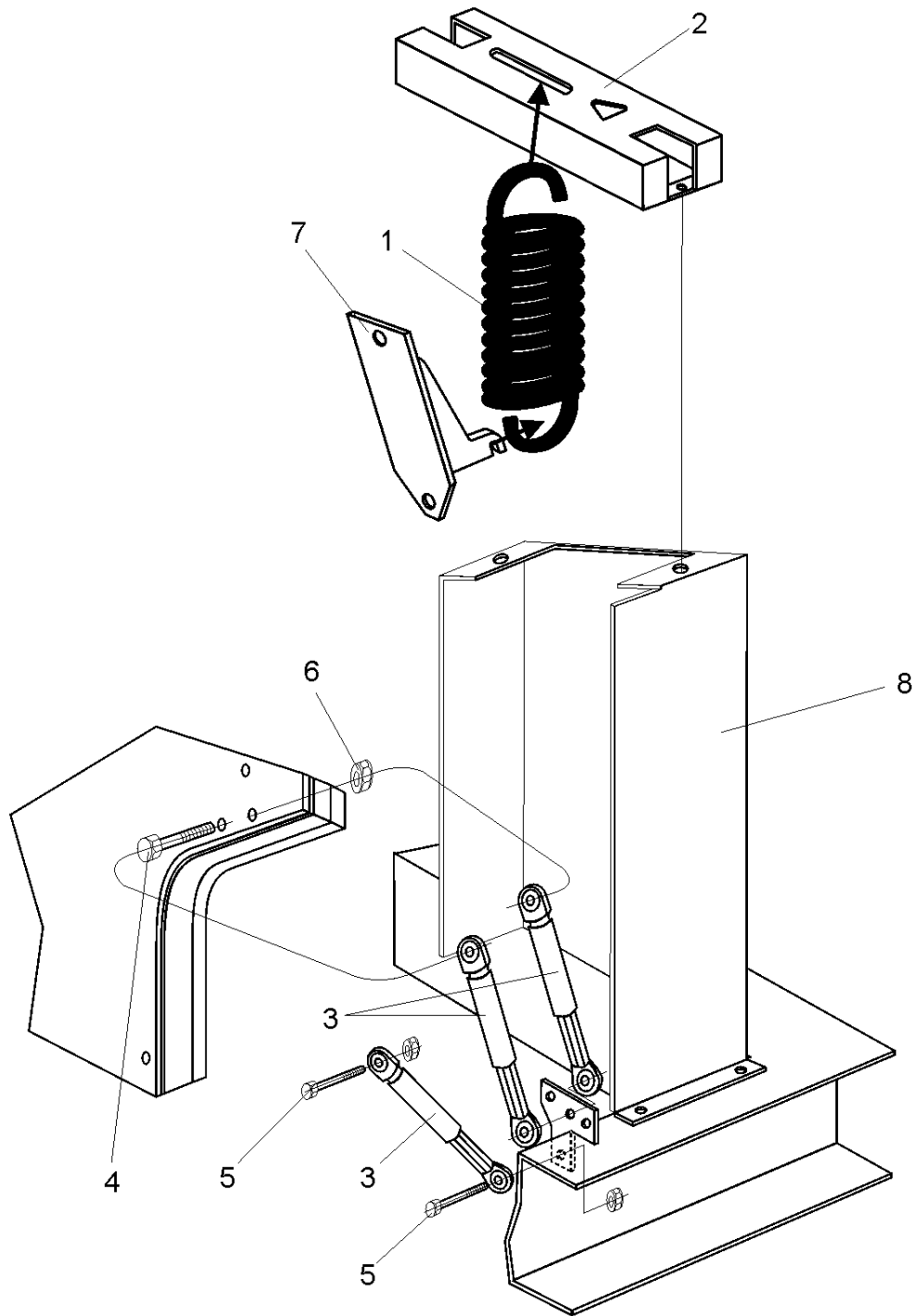
**WSB4250H.,WSB4350H.**

**Suspension**

Illustration Issue Month Year  
Schéma Issue Month Year  
**611013/1 1 7 2006**

**Suspension**

Item Article	Quantity Quantité	Art.No Réf. article	Description	Description	Info Info	Notes Remarques
			WSB4250H.			
			WSB4350H.			
1	4	4	<b>31104497</b> •Suspension fixing	•Fixation suspension	3	
2	4	4	<b>74030181</b> •Spring	•Ressort	3	
		4	<b>74030182</b> •Spring	•Ressort	3	
3	12	16	<b>72020198</b> Shock absorber	Amortisseur	1	
4	8	12	<b>74020033</b> Screw	Vis	3	M10x70
5	4	4	<b>74020063</b> Screw	Vis	3	M10x50
6	20	20	<b>74033405</b> Locking nut	Ecrou frein	3	M10
7	1	1	Platform	Plateforme		
8	1	1	Sole plate	Semelle		





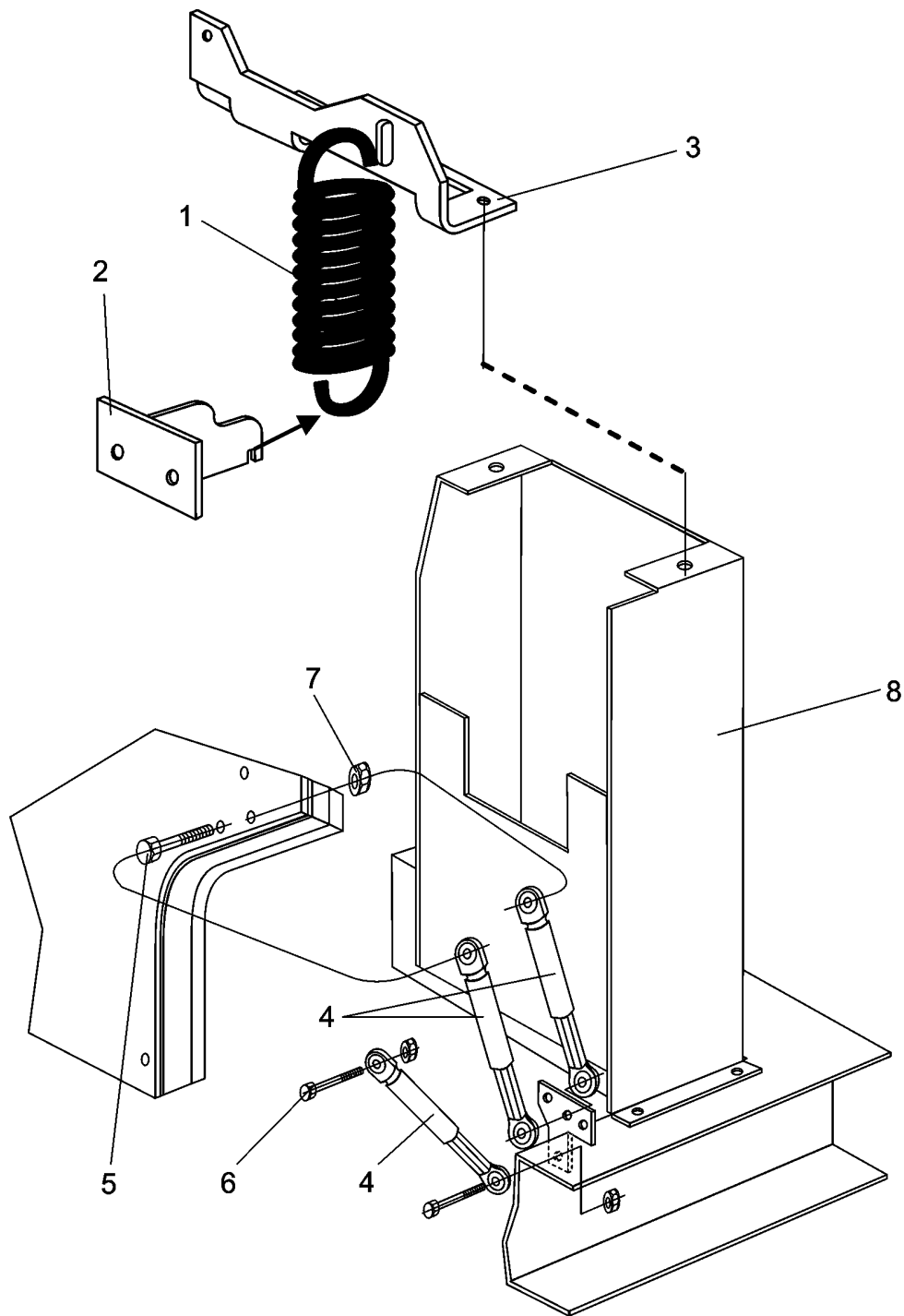
**WSB4500H.**

**Suspension**

Illustration Issue Month Year  
Schéma Issue Month Year  
**611075/1 1 4 2007**

**Suspension**

Item Article	Qua Qua	Art.No Réf. article	Description	Description	Info Info	Notes Remarques
<b>1</b>	4	<b>74030142</b>	Spring	Ressort	3	White
<b>2</b>	4	<b>31102780</b>	Suspension fixing	Fixation suspension	3	
<b>3</b>	20	<b>72020198</b>	Shock absorber	Amortisseur	1	
<b>4</b>	16	<b>74020033</b>	Screw	Vis	3	M10x70
<b>5</b>	4	<b>74020063</b>	Screw	Vis	3	M10x50
<b>6</b>	20	<b>74033405</b>	Locking nut	Ecrou frein	3	M10
<b>7</b>	4	<b>31101236</b>	Bracket	Fixation	3	
<b>8</b>	2	<b>31100742</b>	Foot	Pied	3	Front right/Back left
	2	<b>31100743</b>	Foot	Pied	3	Front left/Back right



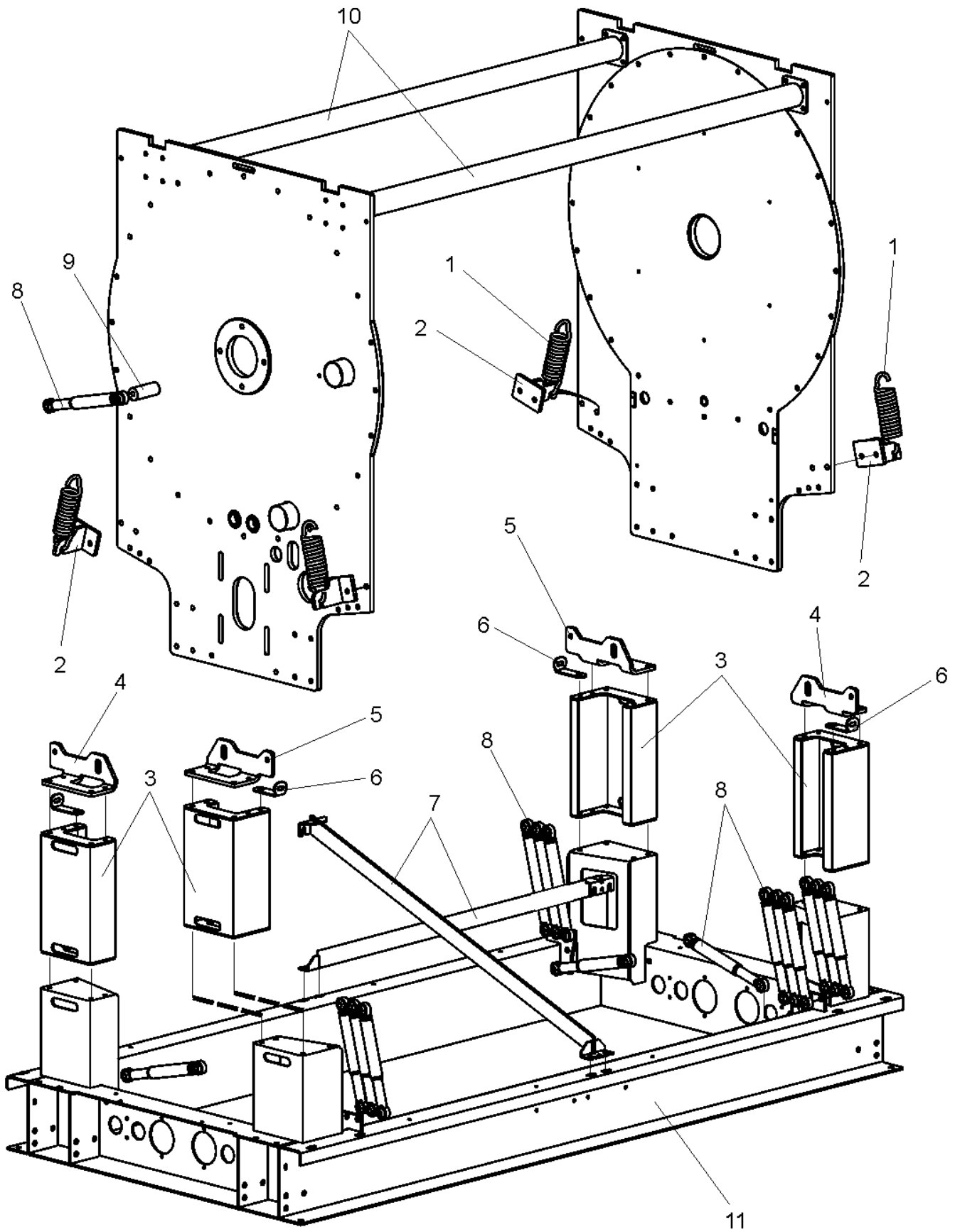
**WSB4650H. -81300010**

**Suspension**

Illustration Issue Month Year  
Schéma Issue Month Year  
**610714/1 2 10 2002**

**Suspension**

Item Article	Qua Qua	Art.No Réf. article	Description	Description	Info Info	Notes Remarques
<b>1</b>	4	<b>74030140</b>	Spring	Ressort	3	
<b>2</b>	4	<b>31101657</b>	Bracket	Fixation	3	
<b>3</b>	2	<b>31101656</b>	Bracket	Fixation	3	Front right/Back left
	2	<b>31101660</b>	Bracket	Fixation	3	Front left/Back right
<b>4</b>	30	<b>72020198</b>	Shock absorber	Amortisseur	1	
<b>5</b>	24	<b>74020259</b>	Screw	Vis	3	M10x80
<b>6</b>	4	<b>74020063</b>	Screw	Vis	3	M10x50
<b>7</b>	24	<b>74033405</b>	Locking nut	Ecrou frein	3	M10
<b>8</b>	2	<b>31101829</b>	Foot	Pied	3	Front left/Back right
	2	<b>31101830</b>	Foot	Pied	3	4.33kW 240V



Issue	Month	Year
01	07	08

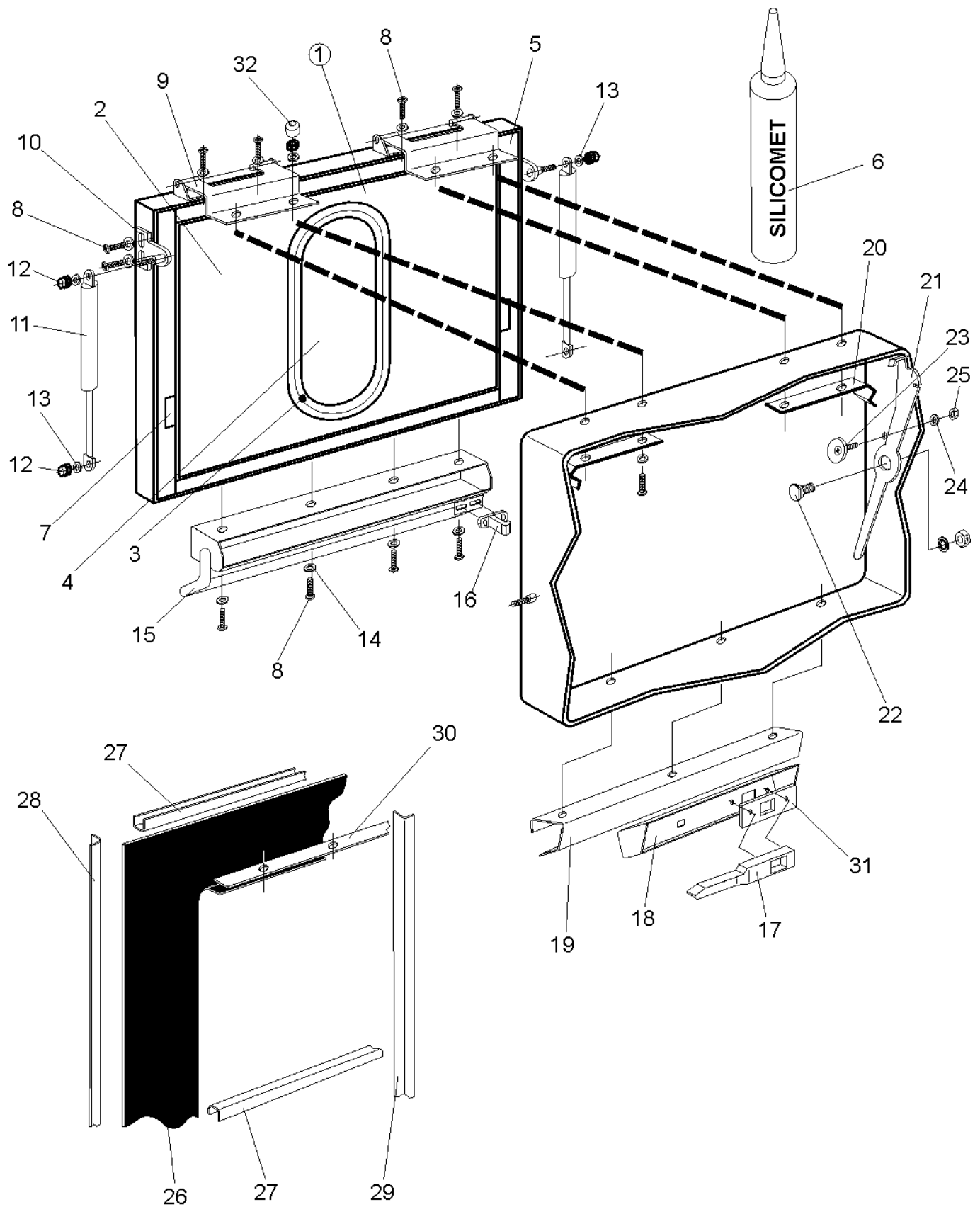
**WSB4650H. 81300011-**

**Suspension**

Illustration Issue Month Year  
Schéma Issue Month Year  
**611132/1 1 7 2008**

**Suspension**

Item Article	Qua Qua	Art.No Réf. article	Description	Description	Info Info	Notes Remarques
<b>1</b>	4	<b>74030140</b>	Spring	Ressort	3	
<b>2</b>	4	<b>31101657</b>	Bracket	Fixation	3	
<b>3</b>	4	<b>31104880</b>	Shim	Réhausse	3	
<b>4</b>	2	<b>31104886</b>	Bracket	Fixation	3	Front right/Back left
<b>5</b>	2	<b>31104887</b>	Bracket	Fixation	3	Front left/Back right
<b>6</b>	4	<b>31105396</b>	Fixation leg	Patte de fixation	3	
<b>7</b>	2	<b>31105394</b>	Support	Renfort	3	
<b>8</b>	30	<b>72020198</b>	Shock absorber	Amortisseur	1	
<b>9</b>	2	<b>31101828</b>	Spacer	Entretoise	3	
<b>10</b>	2	<b>31104910</b>	Spacer	Entretoise	3	
<b>11</b>	1	<b>31104884</b>	Sole plate	Semelle	3	



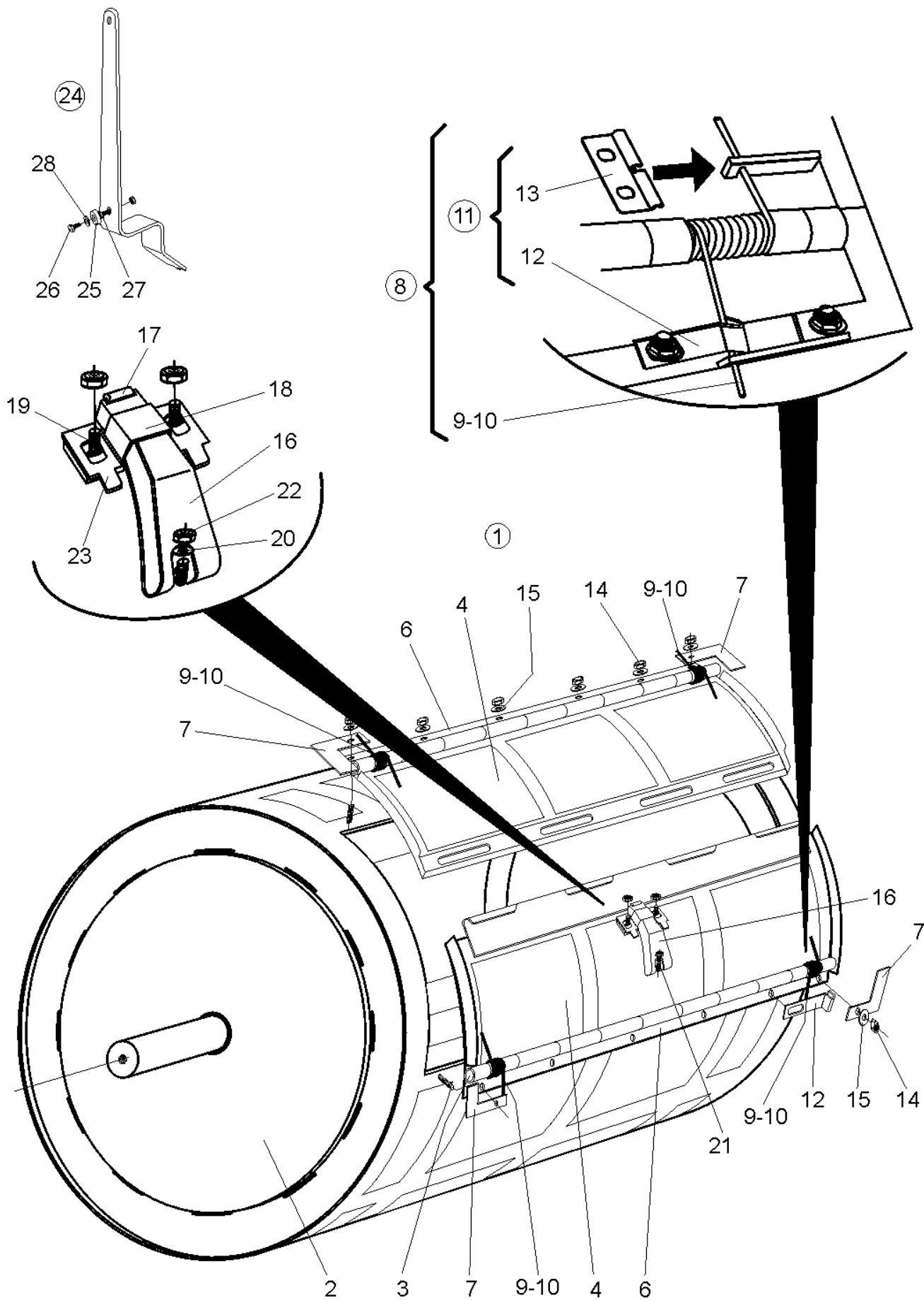
**WSB4250H.,WSB4350H.,WSB4500H.,WSB4650H.**

**Outer drum door**

Illustration Issue Month Year  
Schéma Issue Month Year  
**610854/1 5 12 2009**

**Porte de cuve**

Item Article	Quantity Quantité	Art.No Réf. article	Description	Description	Info Info	Notes Remarques
			WSB4250H.			
			WSB4350H.			
			WSB4500H.			
			WSB4650H.			
1	1	55012793	Outer drum door	Porte de cuve	3	Complete
	1	55012794	Outer drum door	Porte de cuve	3	Complete
	1	55012795	Outer drum door	Porte de cuve	3	Complete
2	1	31103327	•Outer drum door	•Porte de cuve	3	
	1	31102850	•Outer drum door	•Porte de cuve	3	
	1	31103335	•Outer drum door	•Porte de cuve	3	
3	1	56000165	•Sight glass kit	•Kit joint de hublot	1,2	
4	1	75021005	•Door glass	•Glace	1,2	
5	1	75011088300	•Door joint	•Joint de porte	1,2	25x15
	1	75011088350	•Door joint	•Joint de porte	1,2	25x15
6	1	96003000	•Silicomat cartridge	•Cartouche Silicomat	1	
7	2	31103597	•Gasket cover	•Protection du joint	3	
8	20	74033701	Screw	Vis	3	
9	2	31101400	Hinge	Charnière	3	
10	2	31100095	Door lifting bracket	Patte relevage porte	3	
11	2	72020221	Gas spring	Ressort pneumatique	1	300N
	2	72020177	Gas spring	Ressort pneumatique	1	350N
	2	72020318	Gas spring	Ressort pneumatique	1	400N
12	4	74011102	Cage nut	Ecrou	3	M5
13	4	74036004	Washer	Rondelle	3	Ø5
14	19	74036006	Washer	Rondelle	3	Ø6
15	1	31101499	Door closing	Fermeture de porte	3	
	1	31101441	Door closing	Fermeture de porte	3	
16	1	31105462	Keeper of lock	Gâche de verrou	3	
17	1	71054100	Electromagnetic closing	Fermeture électromagnétique	1	
18	1	31101439	Lock support	Support verrou	3	
19	1	31101498	Catch lever fastener	Crochet pour verrou	3	
	1	31101440	Catch lever fastener	Crochet pour verrou	3	
20	2	31101123	Spring retainer	Ressort de retenue	3	
21	1	31103483	Hook	Crochet	3	Loading side
	1	31103485	Hook	Crochet	3	Unloading side
22	1	56000191	Indexing drum shaft kit	Kit axe indexage tambour	3	
23	1	31103765	Screw	Vis	3	
24	1	72052079	Sealing ring	Bague étanchéité	3	M6
25	1	74011204	Cage nut	Ecrou	3	M6
26	1	31101557	Membrane	Bavette	3	
	1	31101558	Membrane	Bavette	3	
	1	31101559	Membrane	Bavette	3	
27	2	31101331	Barrier seal holding device	Maintien bavette	3	-81900013
	2	31105579	Barrier seal holding device	Maintien bavette	3	81900014-
	2	31100777	Barrier seal holding device	Maintien bavette	3	-81900013
	2	31105580	Barrier seal holding device	Maintien bavette	3	81900014-
	2	31100772	Barrier seal holding device	Maintien bavette	3	-81900013
	2	31105581	Barrier seal holding device	Maintien bavette	3	81900014-
	2	31101367	Barrier seal holding device	Maintien bavette	3	-81900013
	2	31105582	Barrier seal holding device	Maintien bavette	3	81900014-
28	1	31101305	Barrier seal holding device	Maintien bavette	3	Right -81900013
	1	31105577	Barrier seal holding device	Maintien bavette	3	Right 81900014-
29	1	31101198	Barrier seal holding device	Maintien bavette	3	Left -81900013
	1	31105578	Barrier seal holding device	Maintien bavette	3	Left 81900014-
30	1	31101690	Barrier seal holding device	Maintien bavette	3	
	1	31101691	Barrier seal holding device	Maintien bavette	3	
31	1	31101985	Block	Cale	3	
32	1	75015227020	Rubber cap	Capuchon caoutchouc	3	M6 20 units





**WSB4250H. -84000035,WSB4350H. -84000099,WSB4500H. -84100025,WSB4650H. -84200035**

**Drum**

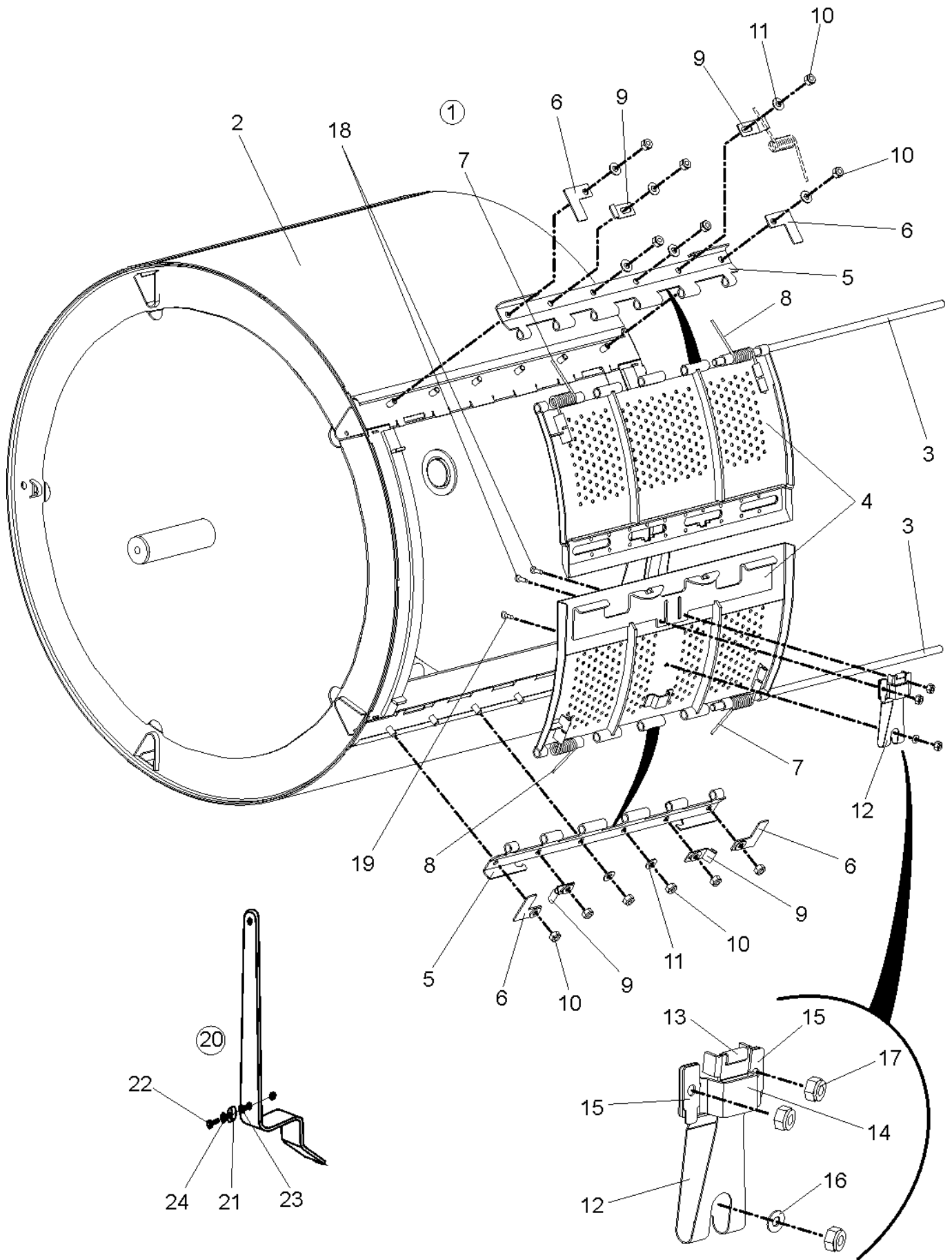
Illustration Issue Month Year

Schéma Issue Month Year

**Tambour**

**611063/1 4 4 2012**

Item Article	Quantity Quantité	Art.No Réf. article	Description	Description	Info Info	Notes Remarques
			WSB4250H.			
			WSB4350H.			
			WSB4500H.			
			WSB4650H.			
1	1	55008531	Drum	Tambour	3	Complete
	1	55009437	Drum	Tambour	3	Complete
	1	55009481	Drum	Tambour	3	Complete
	1	55009792	Drum	Tambour	3	Complete
2	1	31101215	•Drum	•Tambour	3	
	1	31100610	•Drum	•Tambour	3	
	1	31100362	•Drum	•Tambour	3	
	1	31100424	•Drum	•Tambour	3	
3	2	31100091	•Shaft	•Axe	3	
	2	31100693	•Shaft	•Axe	3	
4	1	55012420	•Inner drum doors set	•Jeu portes tambour	3	
	1	55012421	•Inner drum doors set	•Jeu portes tambour	3	
5	-	-	-	-		Not used
6	2	31101214	•Hinge	•Charnière	3	
	2	31100690	•Hinge	•Charnière	3	
7	4	31101228	•Stop	•Butée	3	
8	1	56000146	•Inner drum door springs kit	•Kit ressorts porte tambour	1,2	
9	2	74030148	•Spring	•Ressort	1,2	Right
10	2	74030149	•Spring	•Ressort	1,2	Left
11	1	55011729	•Repair kit	•Kit reconditionnement	3	Spring
12	4	31103613	••Supporting bracket	••Patte de maintien	1,2	
13	4	31102738	••Spring protection	••Protection ressort	1,2	
14	12	74011205	•Locking nut	•Ecrou frein	3	M8
15	12	74036007	•Washer	•Rondelle	3	Ø8
16	1	31101172	•Spring	•Ressort	1,2	
17	1	72046173	••Pipe	••Tube	3	2cm Polyurethane
18	1	31101173	•Connecting strap	•Pontet	3	
19	2	74033907	•Screw	•Vis	3	M5x16
20	3	74036004	•Washer	•Rondelle	3	Ø5
21	1	74033908	•Screw	•Vis	3	M5x10
22	3	74011203	•Cage nut	•Ecrou	3	M5
23	2	31102675	•Door stop	•Butée	3	
24	1	31100892kit	Opening drum lever	Levier ouverture	3	
25	1	75019002	•Rubber stop	•Butée caoutchouc	3	
26	1	74020283010	•Screw	•Vis	3	M8x50 10 units
27	2	74033254010	•Locking nut	•Ecrou frein	3	M8 10 units
28	1	74036007010	•Washer	•Rondelle	3	Ø8 10 units



Issue	Month	Year
01	03	09

**WSB4250H. 84000036-,WSB4350H. 84100001-,WSB4500H. 84100026-,WSB4650H. 84200036-**

**Drum**

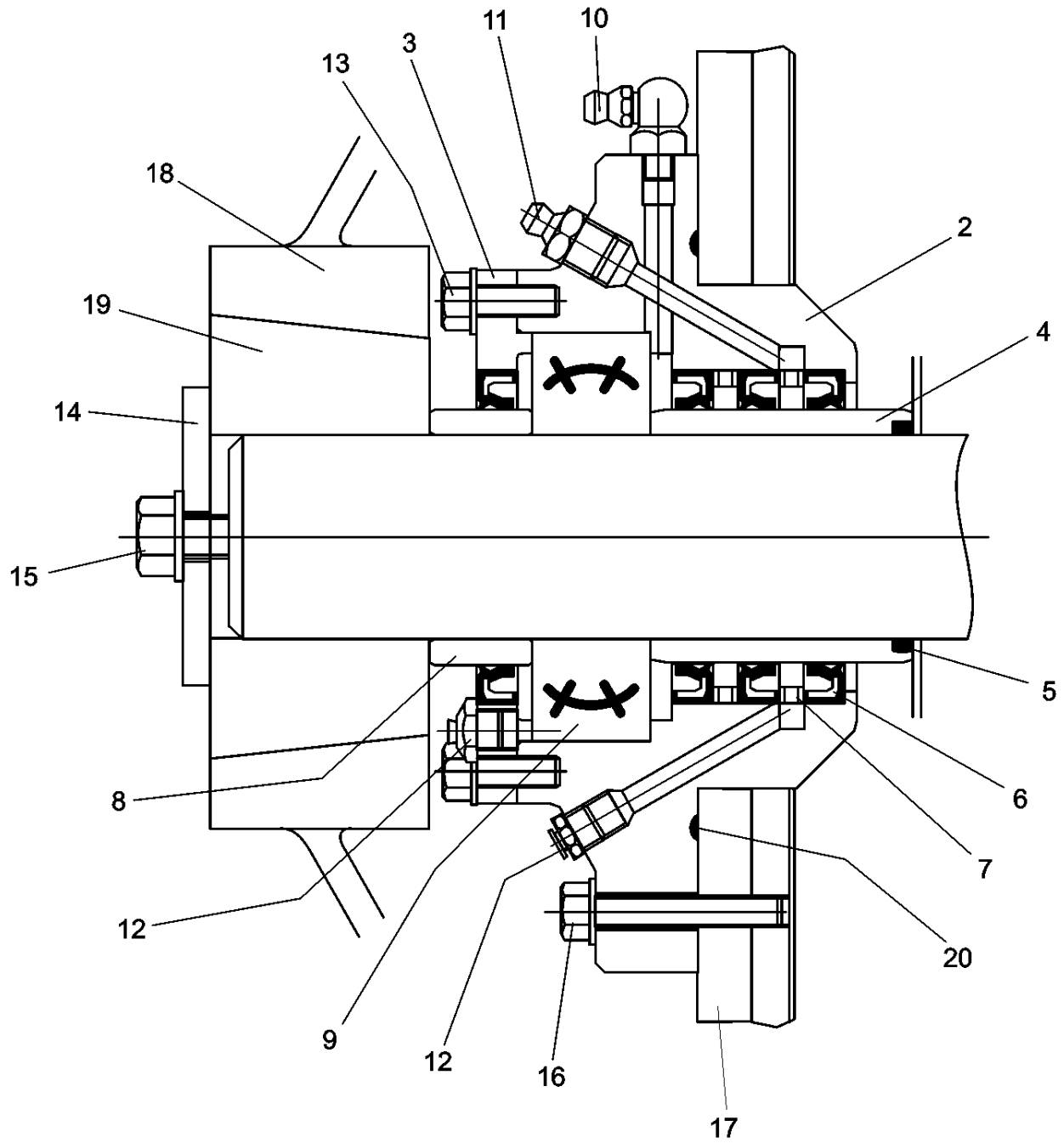
Illustration Issue Month Year  
Schéma Issue Month Year

**Tambour**

**611194/1 1 3 2009**

Item Article	Quantity Quantité	Art.No Réf. article	Description	Description	Info Info	Notes Remarques
			WSB4250H.			
			WSB4350H.			
			WSB4500H.			
			WSB4650H.			
1	1	55013773	Drum	Tambour	3	Complete
	1	55013769	Drum	Tambour	3	Complete
	1	55013780	Drum	Tambour	3	Complete
	1	55013782	Drum	Tambour	3	Complete
2	1	31105279	•Drum	•Tambour	3	
	1	31105278	•Drum	•Tambour	3	
	1	31105386	•Drum	•Tambour	3	
	1	31105388	•Drum	•Tambour	3	
3	2	31100091	•Shaft	•Axe	3	
	2	31100693	•Shaft	•Axe	3	
4	1	55013772	•Inner drum doors set	•Jeu portes tambour	3	
	1	55013768	•Inner drum doors set	•Jeu portes tambour	3	
5	2	31105307	•Hinge	•Charnière	3	
	2	31105277	•Hinge	•Charnière	3	
6	4	31101228	•Stop	•Butée	3	
7	2	74030194	•Spring	•Ressort	1,2	Right
8	2	74030195	•Spring	•Ressort	1,2	Left
9	4	31105564	•Supporting bracket	•Patte de maintien	3	
10	12	74011205010	•Locking nut	•Ecrou frein	3	M8 10 units
11	12	74036007010	•Washer	•Rondelle	3	Ø8 10 units
12	1	31101172	•Spring	•Ressort	1,2	
13	1	72046173	••Pipe	••Tube	3	2cm Polyurethane
14	1	31101173	•Connecting strap	•Pontet	3	
15	2	31102675	•Door stop	•Butée	3	
16	1	74036004020	•Washer	•Rondelle	3	Ø5 20 units
17	3	74011203020	•Cage nut	•Ecrou	3	M5 20 units
18	2	74033907020	•Screw	•Vis	3	M5x16 20 units
19	1	74033908020	•Screw	•Vis	3	M5x10 20 units
20	1	31100892kit	Opening drum lever	Levier ouverture	3	
21	1	75019002	•Rubber stop	•Butée caoutchouc	3	
22	1	74020283010	•Screw	•Vis	3	M8x50 10 units
23	2	74033254010	•Locking nut	•Ecrou frein	3	M8 10 units
24	1	74036007010	•Washer	•Rondelle	3	Ø8 10 units

①



**WSB4250H.,WSB4350H.,WSB4500H.**

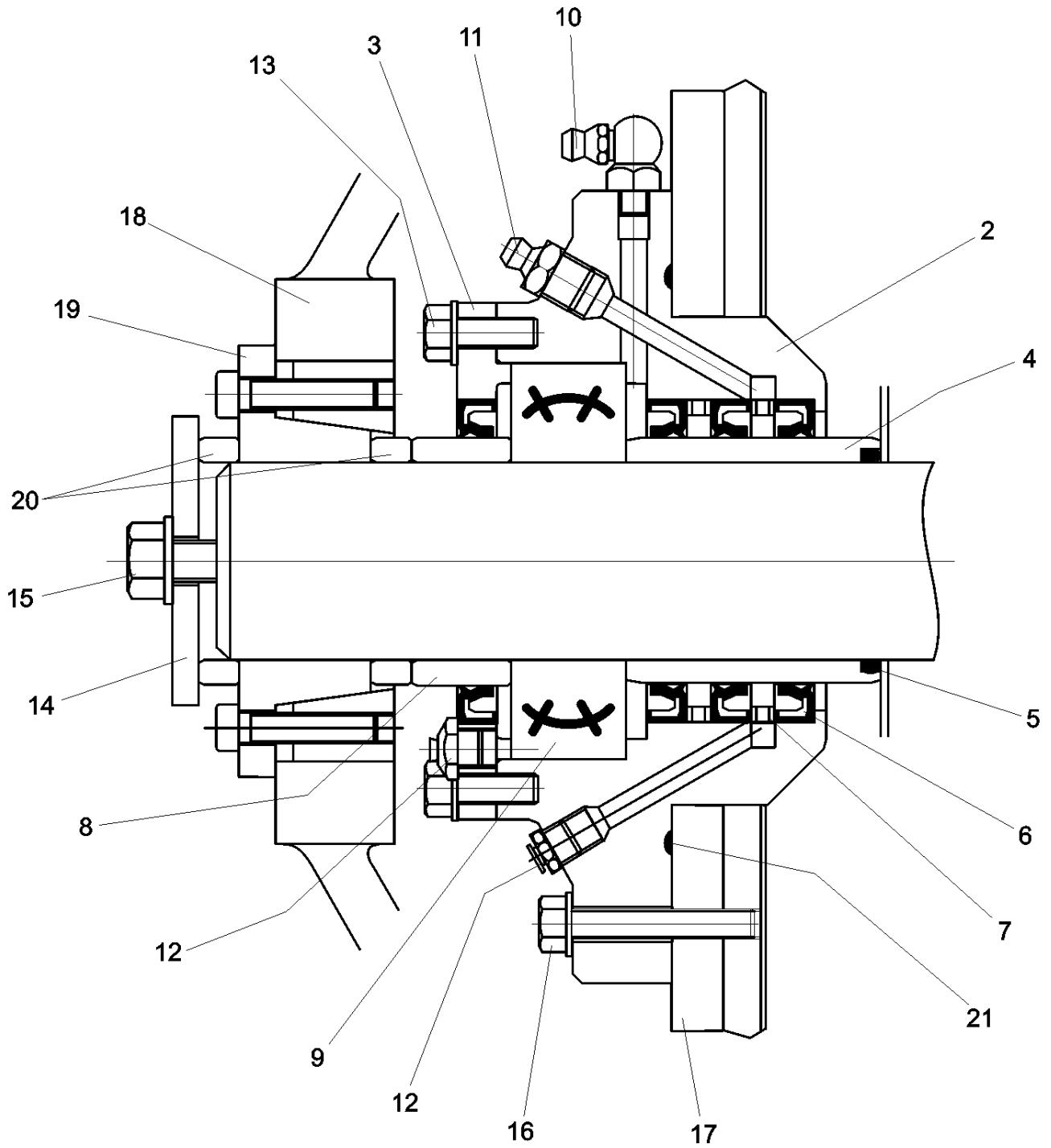
**Drum left bearing**

Illustration Issue Month Year  
Schéma Issue Month Year  
**611064/1 1 4 2007**

**Palier tambour gauche**

Item Article	Qua Qua	Art.No Réf. article	Description	Description	Info Info	Notes Remarques
1	1	55009310	Drum bearing	Palier tambour	1,2	Blocked
2	1	31006182	•Bearing box	•Palier	3	
3	1	31006183	•Bearing cover	•Chapeau de palier	3	
4	1	31100392	•Spacer	•Entretoise	3	
5	1	73016080	•O-ring	•Joint torique	3	
6	4	73016079	•Sealing ring	•Bague étanchéité	3	
7	2	31005267	•Spacer ring	•Rondelle-entretoise	3	
8	1	31006181	•Spacer	•Entretoise	3	
9	1	73011019	•Roller bearing	•Roulements à galets	3	
10	1	72061003	•Grease nipple	•Graisseur	3	Elbow
11	1	72061005	•Grease nipple	•Graisseur	3	Right
12	2	72013076	•Delivery valve	•Clapet de décharge	3	
13	4	74033002	•Screw	•Vis	3	M6x16
14	1	31000670	Bearing washer	Rondelle blocage palier	3	
15	1	74033022	Screw	Vis	3	M12x40
16	4	74033021	Screw	Vis	3	M12x30
17	1	31100101	Support plate	Plaque support	3	
18	1	73020472	Pulley	Poulie	3	
19	1	73020474	Hub	Moyeu	3	
20	1	73016183	O-ring	Joint torique	1,2	

①



Issue	Month	Year
01	04	07

**WSB4650H.**

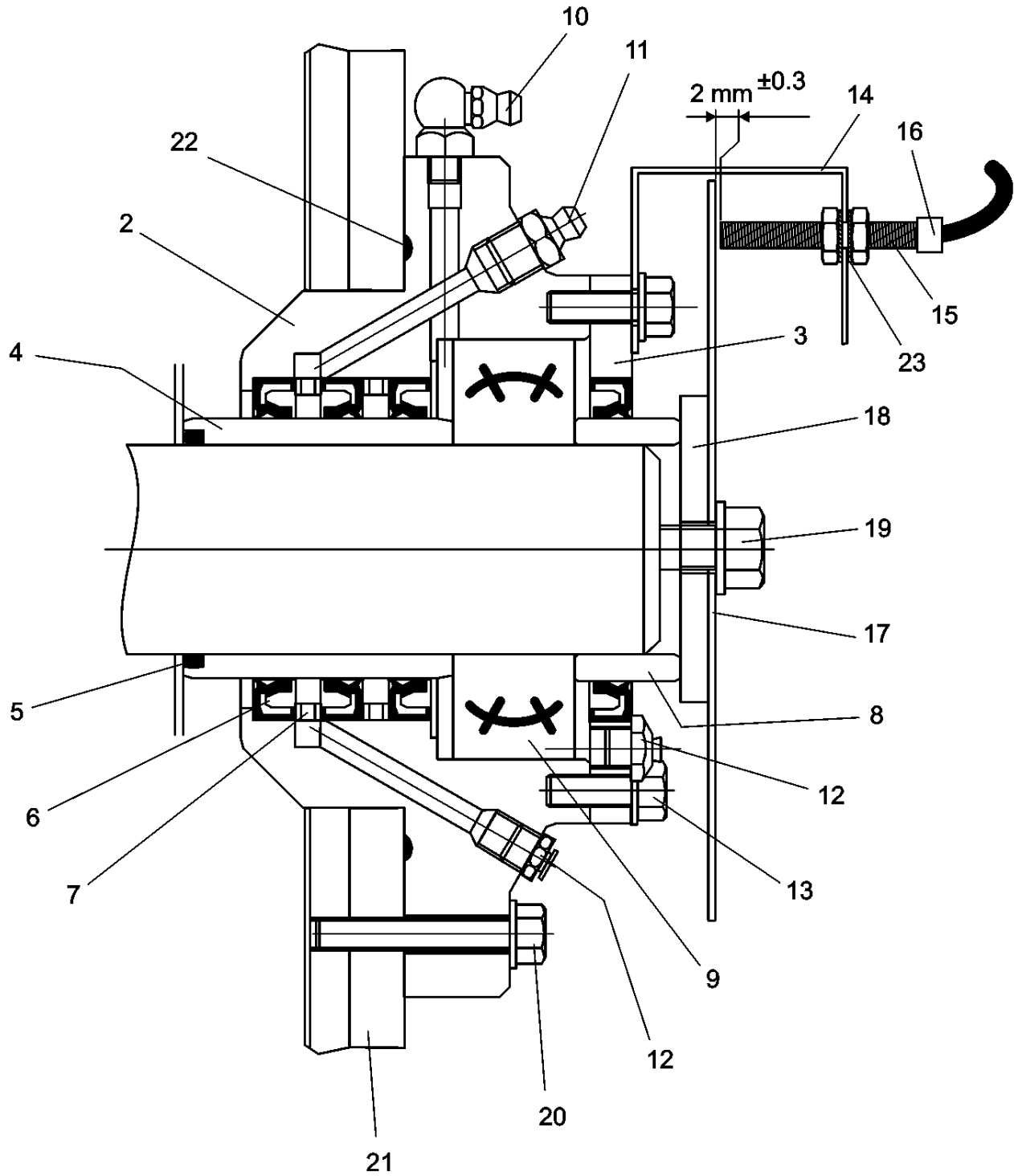
**Drum left bearing**

**Palier tambour gauche**

Illustration Issue Month Year  
Schéma Issue Month Year  
**611066/1 1 4 2007**

Item Article	Qua Qua	Art.No Réf. article	Description	Description	Info Info	Notes Remarques
1	1	55009310	Drum bearing Blocked	Palier tambour Bloqué	1,2	Blocked
2	1	31006182	•Bearing box	•Palier	3	
3	1	31006183	•Bearing cover	•Chapeau de palier	3	
4	1	31100392	•Spacer	•Entretoise	3	
5	1	73016080	•O-ring	•Joint torique	3	
6	4	73016079	•Sealing ring	•Bague étanchéité	3	
7	2	31005267	•Spacer ring	•Rondelle-entretoise	3	
8	1	31006181	•Spacer	•Entretoise	3	
9	1	73011019	•Roller bearing	•Roulements à galets	3	
10	1	72061003	•Grease nipple	•Graisseur	3	Elbow
11	1	72061005	•Grease nipple	•Graisseur	3	Right
12	2	72013076	•Delivery valve	•Clapet de décharge	3	
13	4	74033002	•Screw	•Vis	3	M6x16
14	1	31101457	Bearing washer	Rondelle blocage palier	3	
15	1	74033022	Screw	Vis	3	M12x40
16	4	74033021	Screw	Vis	3	M12x30
17	1	31100101	Support plate	Plaque support	3	
18	1	31101459	Pulley	Poulie	3	
19	1	73020516	Jointing sleeve	Manchon assemblage	1,2	
20	1	31101456	Spacer	Entretoise	3	
21	1	73016183	O-ring	Joint torique	1,2	

①





**WSB4250H. -11710013,WSB4350H. -11710013,WSB4500H. -11710013,WSB4650H. -11710013**

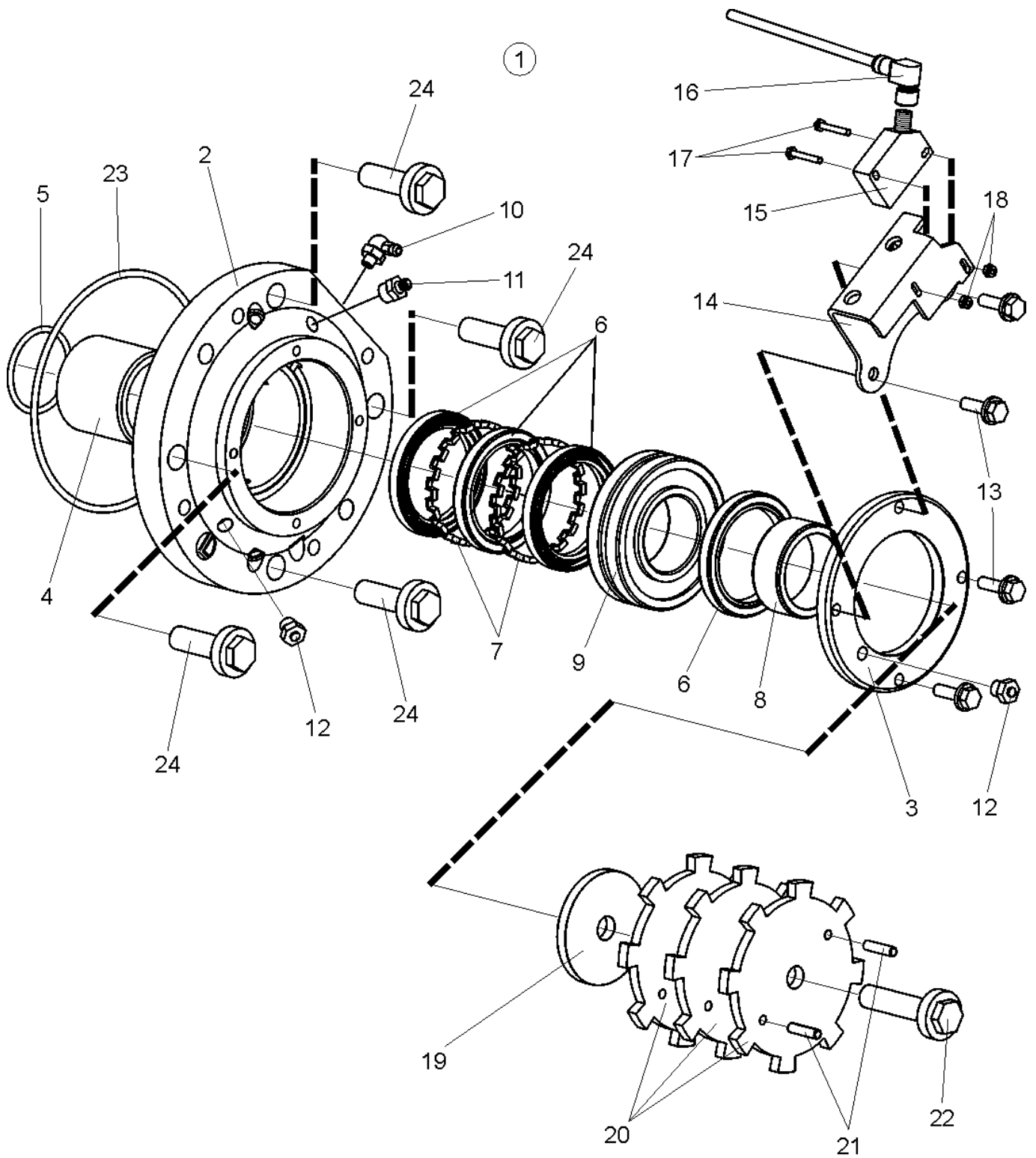
**Drum right bearing**

Illustration Issue Month Year  
Schéma Issue Month Year

**Palier tambour droit**

**611088/1 2 4 2007**

Item Article	Quantity Quantité	Art.No Réf. article	Description	Description	Info Info	Notes Remarques
			WSB4250H.			
			WSB4350H.			
			WSB4500H.			
			WSB4650H.			
1	1	55009311	Drum bearing	Palier tambour	1,2	Free
2	1	31006184	•Bearing box	•Palier	3	
3	1	31006185	•Bearing cover	•Chapeau de palier	3	
4	1	31100392	•Spacer	•Entretoise	3	
5	1	73016080	•O-ring	•Joint torique	3	
6	4	73016079	•Sealing ring	•Bague étanchéité	3	
7	2	31005267	•Spacer ring	•Rondelle-entretoise	3	
8	1	31006181	•Spacer	•Entretoise	3	
9	1	73011019	•Roller bearing	•Roulements à galets	3	
10	1	72061003	•Grease nipple	•Graisseur	3	Elbow
11	1	72061005	•Grease nipple	•Graisseur	3	Right
12	2	72013076	•Delivery valve	•Clapet de décharge	3	
13	4	74033002	•Screw	•Vis	3	M6x16
14	1	31103573	•Detector support	•Support détecteur	3	
15	1	71050247	Inductive proximity switch	Détecteur de proximité inductif	1,2	
16	1	71050200	Connector	Connecteur	1,2	L=2m 3 pole
17	1	31105460	Rotation detection disk	Disque détection rotation	3	
18	1	31000670	Bearing washer	Rondelle blocage palier	3	
		31101457	Bearing washer	Rondelle blocage palier	3	
19	1	74033022	Screw	Vis	3	M12x40
20	4	74033021	Screw	Vis	3	M12x30
21	1	31100101	Support plate	Plaque support	3	
22	1	73016183	O-ring	Joint torique	1,2	
23	2	74036405	Washer	Rondelle	3	Ø8



Issue	Month	Year
01	03	11

**WSB4250H. 11710014-,WSB4350H. 11710014-,WSB4500H. 11710014-,WSB4650H. 11710014-**

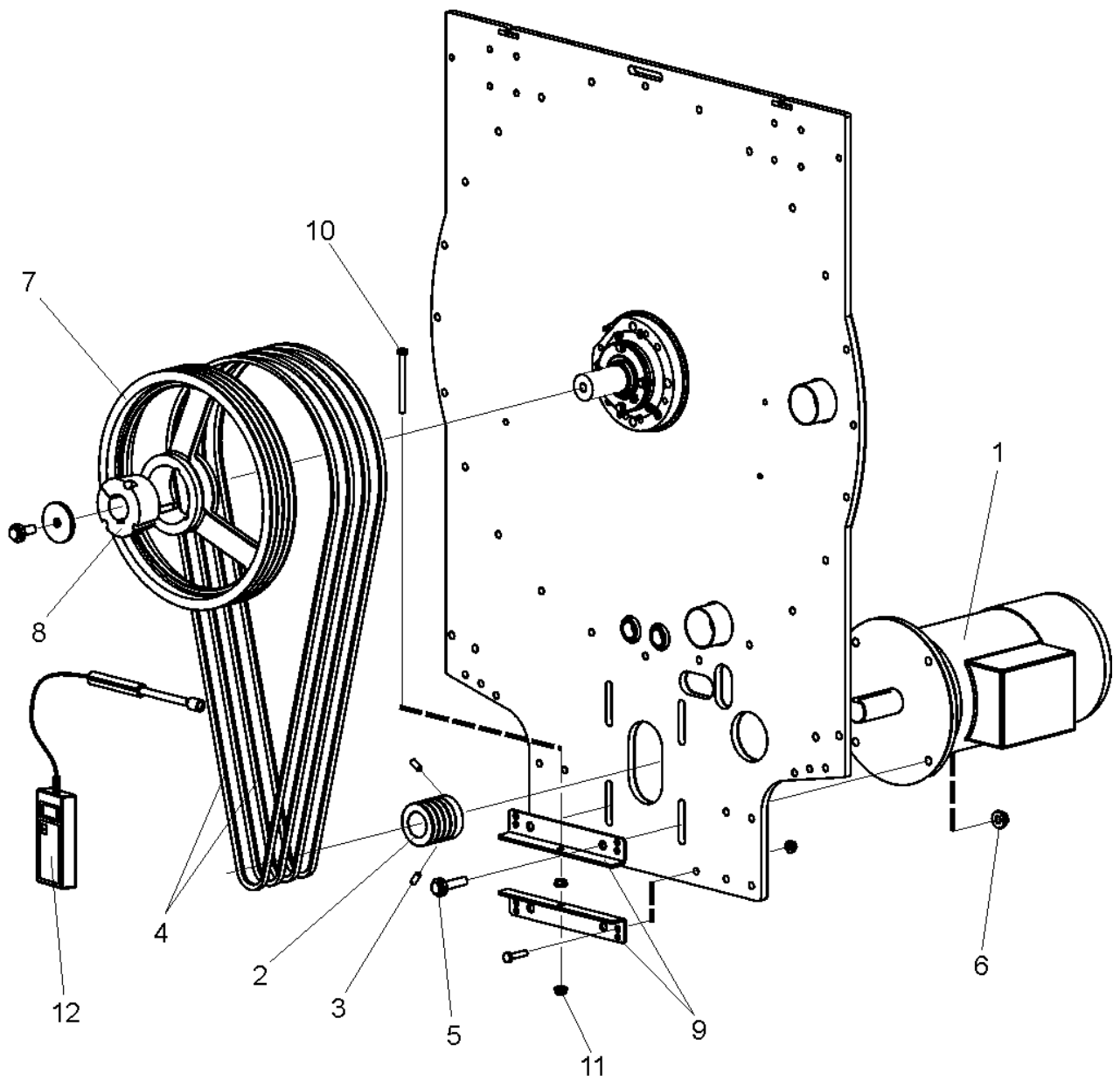
**Drum right bearing**

Illustration Issue Month Year  
Schéma Issue Month Year

**Palier tambour droit**

**611289/1 1 3 2011**

Item Article	Qua Qua	Art.No Réf. article	Description	Description	Info Info	Notes Remarques
1	1	55009311	Drum bearing	Palier tambour	1,2	Free
2	1	31006184	•Bearing box	•Palier	3	
3	1	31006185	•Bearing cover	•Chapeau de palier	3	
4	1	31100392	•Spacer	•Entretoise	3	
5	1	73016080	•O-ring	•Joint torique	3	
6	4	73016079	•Sealing ring	•Bague étanchéité	3	
7	2	31005267	•Spacer ring	•Rondelle-entretoise	3	
8	1	31006181	•Spacer	•Entretoise	3	
9	1	73011019	•Roller bearing	•Roulements à galets	3	
10	1	72061003	•Grease nipple	•Graisseur	3	Elbow
11	1	72061005	•Grease nipple	•Graisseur	3	Right
12	2	72013076	•Delivery valve	•Clapet de décharge	3	
13	4	74033003020	•Screw	•Vis	3	M6x20 20 units
14	1	31105867	•Detector support	•Support détecteur	3	
15	1	71050267	Inductive proximity switch	Détecteur de proximité inductif	1,2	
16	1	71050200	Connector	Connecteur	1,2	L=2m 3 pole
17	2	74010125	Screw	Vis	3	M3x20
18	2	74033401020	Cage nut	Ecrou	3	M3 20 units
19	1	31000670	Bearing washer	Rondelle blocage palier	3	
20	3	31105967	Rotation detection disk	Disque détection rotation	3	
21	2	74023051	Split pin	Goupille fendue	3	M5x20
22	1	74033023010	Screw	Vis	3	M12x50 10 units
23	1	73016183	O-ring	Joint torique	1,2	
24	4	74033040	Screw	Vis	3	M12x35



Issue	Month	Year
03	10	10

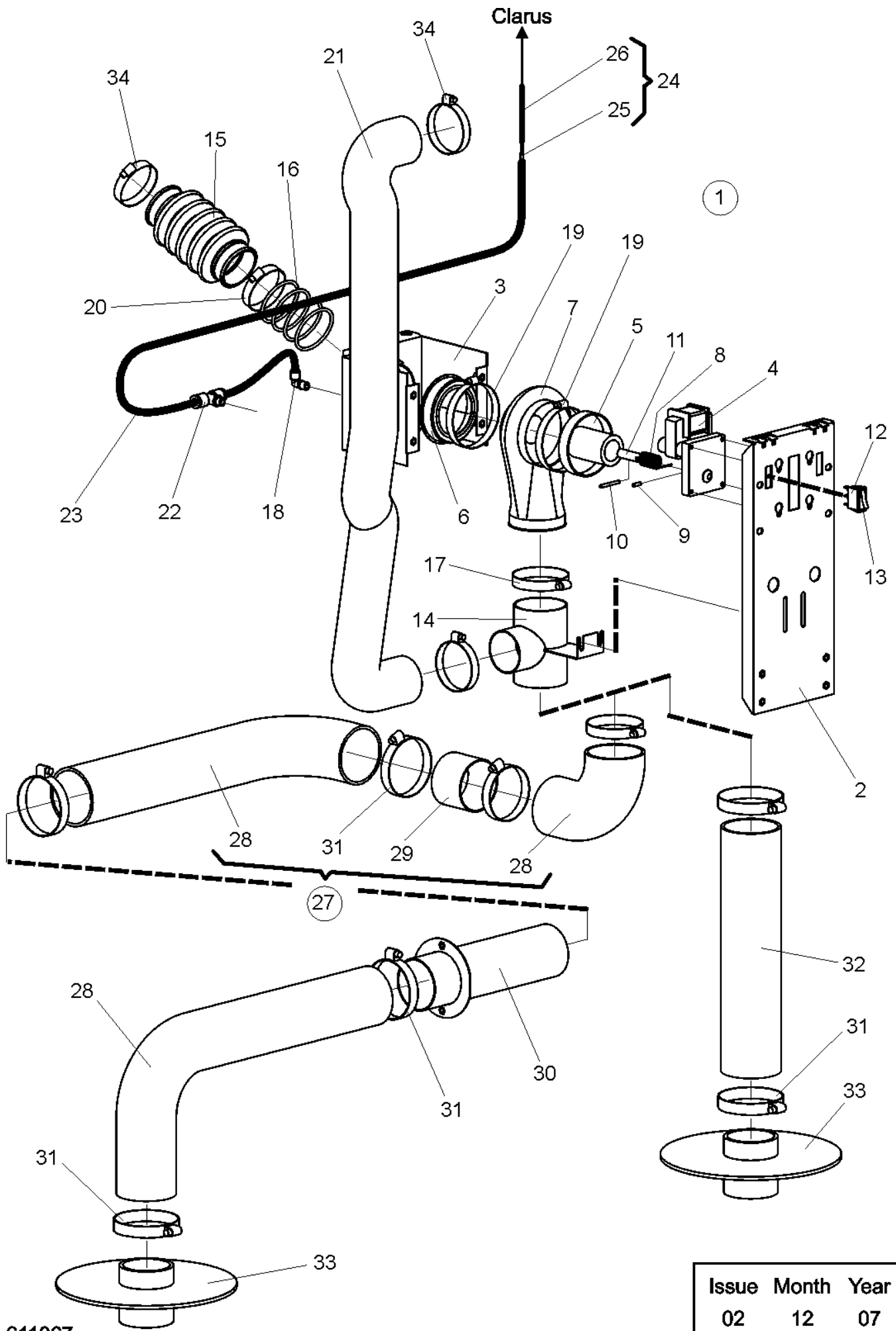
**WSB4250H.,WSB4350H.,WSB4500H.,WSB4650H.**

**Motion**

Illustration Issue Month Year  
Schéma Issue Month Year  
**611065/1 5 10 2010**

**Mouvement**

Item Article	Quantity Quantité	Art.No Réf. article	Description	Description	Info Info	Notes Remarques
			WSB4250H.			
			WSB4350H.			
			WSB4500H.			
			WSB4650H.			
<b>1</b>	1	<b>71014135</b>	Motor	Moteur	1,2	3.5kW
	1	<b>71014127</b>	Motor	Moteur	1,2	3.5kW 200V Japan
	1	<b>71014154</b>	Motor	Moteur	1,2	4.5kW
	1	<b>71014129</b>	Motor	Moteur	1,2	4.5kW 200V Japan -81900013
	1	<b>71014177</b>	Motor	Moteur	1,2	5.5kW 200V Japan 81900014-
	1	<b>71014155</b>	Motor	Moteur	1,2	5.5kW
	1	<b>71014158</b>	Motor	Moteur	1,2	7.5kW 200V Japan -22910001
	1	<b>71014176</b>	Motor	Moteur	1,2	7.5kW 180V Japan 22910002-
	1	<b>71014156</b>	Motor	Moteur	1,2	7.5kW
<b>2</b>	1	<b>31101330</b>	Drive pulley	Poulie motrice	3	3 grooves
	1	<b>31100381</b>	Drive pulley	Poulie motrice	3	4 grooves
	1	<b>31100696</b>	Drive pulley	Poulie motrice	3	6 grooves
<b>3</b>	2	<b>74020204</b>	Screw	Vis	3	M8x20
<b>4</b>	3	<b>73022303</b>	Belt	Courroie	1,2	HFX PLUS XPZ
<b>5</b>	4	<b>74033023</b>	Screw	Vis	3	M12x50
<b>6</b>	4	<b>74033205</b>	Cage nut	Ecrou	3	M12
<b>7</b>	1	<b>73020472</b>	Pulley	Poulie	3	ill. 611064
	1	<b>31101459</b>	Pulley	Poulie	3	ill. 611066
<b>8</b>	1	<b>73020474</b>	Hub	Moyeu	1,2	ill. 611064
	1	<b>73020516</b>	Jointing sleeve	Manchon assemblage	1,2	ill. 611066
<b>9</b>	2	<b>31103532</b>	Belt tensioner	Tendeur de courroie	3	
<b>10</b>	1	<b>74020282010</b>	Screw	Vis	3	M8x90 10 units
<b>11</b>	2	<b>74033203</b>	Cage nut	Ecrou	3	M8
<b>12</b>	1	<b>94081008</b>	Belt tension meter	Tensiomètre électronique	1,2	Tools



611067

Issue	Month	Year
02	12	07

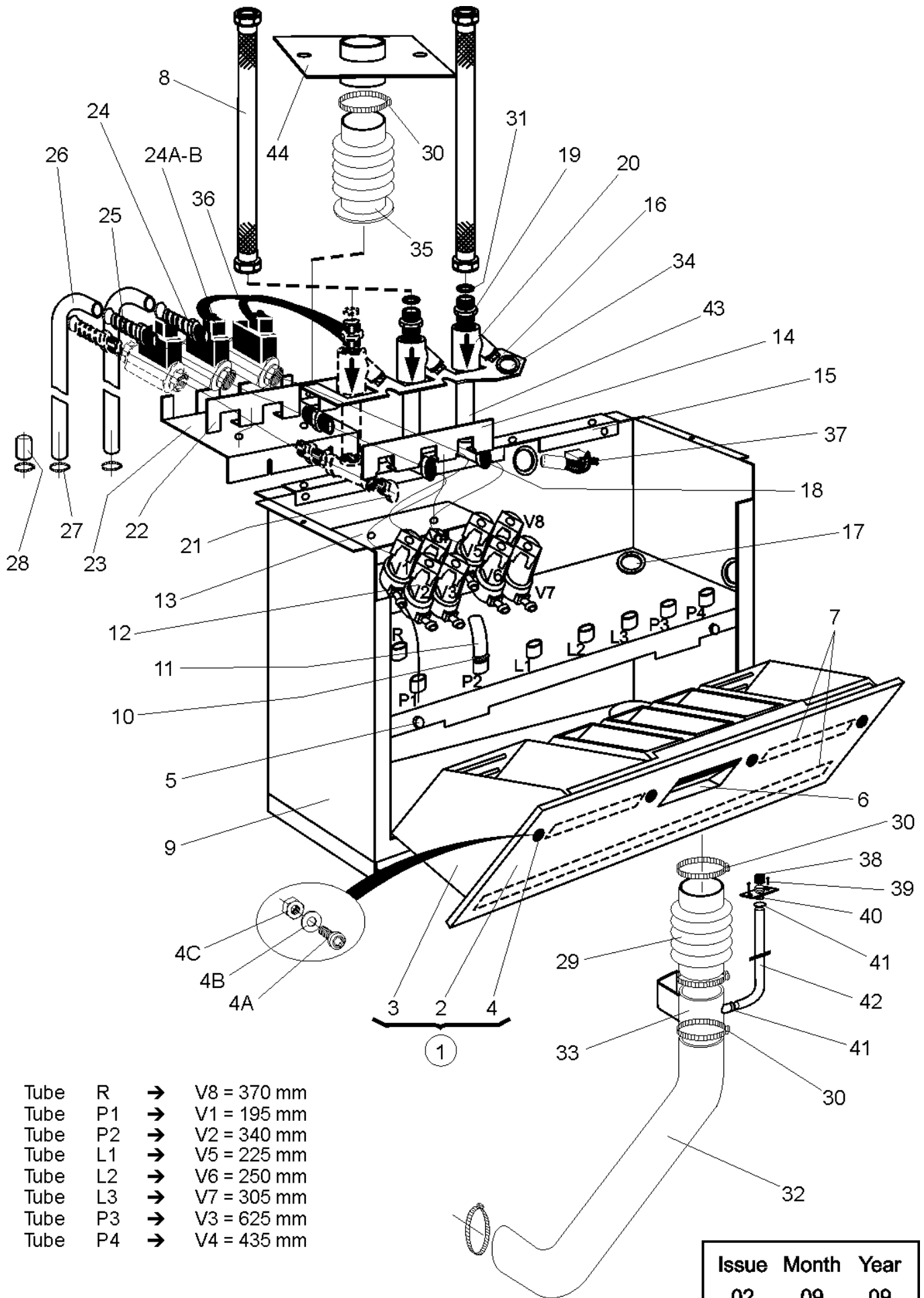
**WSB4250H.,WSB4350H.,WSB4500H.,WSB4650H.**

**Drain - Overflow - Water level measuring**

Illustration Issue Month Year  
Schéma Issue Month Year  
**611067/1 2 4 2007**

**Vidange - Trop plein - Prise de niveau**

Item Article	Quantity Quantité	Art.No Réf. article	Description	Description	Info Info	Notes Remarques
			WSB4250H.			
			WSB4350H.			
			WSB4500H.			
			WSB4650H.			
1	1	55010082	Drain	Vidange	1,2	Complete
2	1	31101647	•Drain support	•Support vidange	3	-81900013
	1	31105593	•Drain support	•Support vidange	3	81900014-
3	1	31100018	•Drain body	•Corps de vidange	3	
4	1	71014108	•Pilot-back-gear motor	•Micro-moteurédacteur	1,2	
5	1	75012032	•Piston	•Piston	1,2	
6	1	75015109	•Diaphragm profiled joint	•Joint profilé	1,2	
7	1	75015121	•Drain diaphragm	•Membrane vidange	1,2	
8	1	74030106	•Return spring	•Ressort de rappel	3	
9	1	74023098	•Cylindrical pin	•Goupille cylindrique	3	Ø4x12
10	1	31007949	•Shaft	•Axe	3	
11	1	31007951	•Guide	•Guide	3	
12	1	71054176	•Switch	•Interrupteur	1,2	
13	1	71054174	•Switch cap	•Capuchon interrupteur	1,2	
14	1	31101648	•Drain outlet T	•Equerre sortie vidange	3	
15	1	72048001	•Connection bellow	•Soufflet de raccordement	1,2	
16	4	34003805	•Hoop ring	•Anneau de cerclage	3	
17	1	72046162	•Cramp	•Collier	3	Ø70/90
18	1	72044194	•Square	•Equerre mâle	3	G1/8"
19	2	72046131	•Cramp	•Collier	3	Ø77/95
20	1	72046137	•Cramp	•Collier	3	Ø50/70
21	1	75015135	Pipe	Tuyau	1,2	Ø60mm
22	1	72044176	Tee-square	Té	3	Ø6/8 2nd drain optional
23	1	72046182	Plastic piping	Tube en plastique	1,2	Ø5/8 Length 1100mm
	1	72046182	Plastic piping	Tube en plastique	1,2	Ø5/8 Length 1200mm
	1	72046182	Plastic piping	Tube en plastique	1,2	Ø5/8 Length 1300mm
	1	72046182	Plastic piping	Tube en plastique	1,2	Ø5/8 Length 1550mm
24	1	56000127	Pressostat pipe kit	Kit tube pressostat	1,2	
25	1	72044242	•Reduction	•Réduction	3	Ø6/8-4/6
26	1	72046188550	•Rubber pipe	•Tube caoutchouc	1,2	Ø4/7 Length 550mm
27	1	55013696	Outlet side drain kit	Kit sortie vidange latérale	1,2	
	1	55013697	Outlet side drain kit	Kit sortie vidange latérale	1,2	
28	3	75015189	•Durit	•Durit	1,2	Ø75 mm
29	1	31100075	•Drain outlet pipe	•Tube sortie vidange	3	
30	1	31101651	•Outlet drain	•Sortie vidange	3	
	1	31101748	•Outlet drain	•Sortie vidange	3	
31	6	72046162	•Cramp	•Collier	1,2	Ø70/90
32	1	31105398	Durit	Durit	1,2	
33	1	31103682	Sealing plate	Plaque étanchéité	3	
34	2	72046137	Cramp	Collier	3	Ø50/70



Tube R	→	V8 = 370 mm
Tube P1	→	V1 = 195 mm
Tube P2	→	V2 = 340 mm
Tube L1	→	V5 = 225 mm
Tube L2	→	V6 = 250 mm
Tube L3	→	V7 = 305 mm
Tube P3	→	V3 = 625 mm
Tube P4	→	V4 = 435 mm



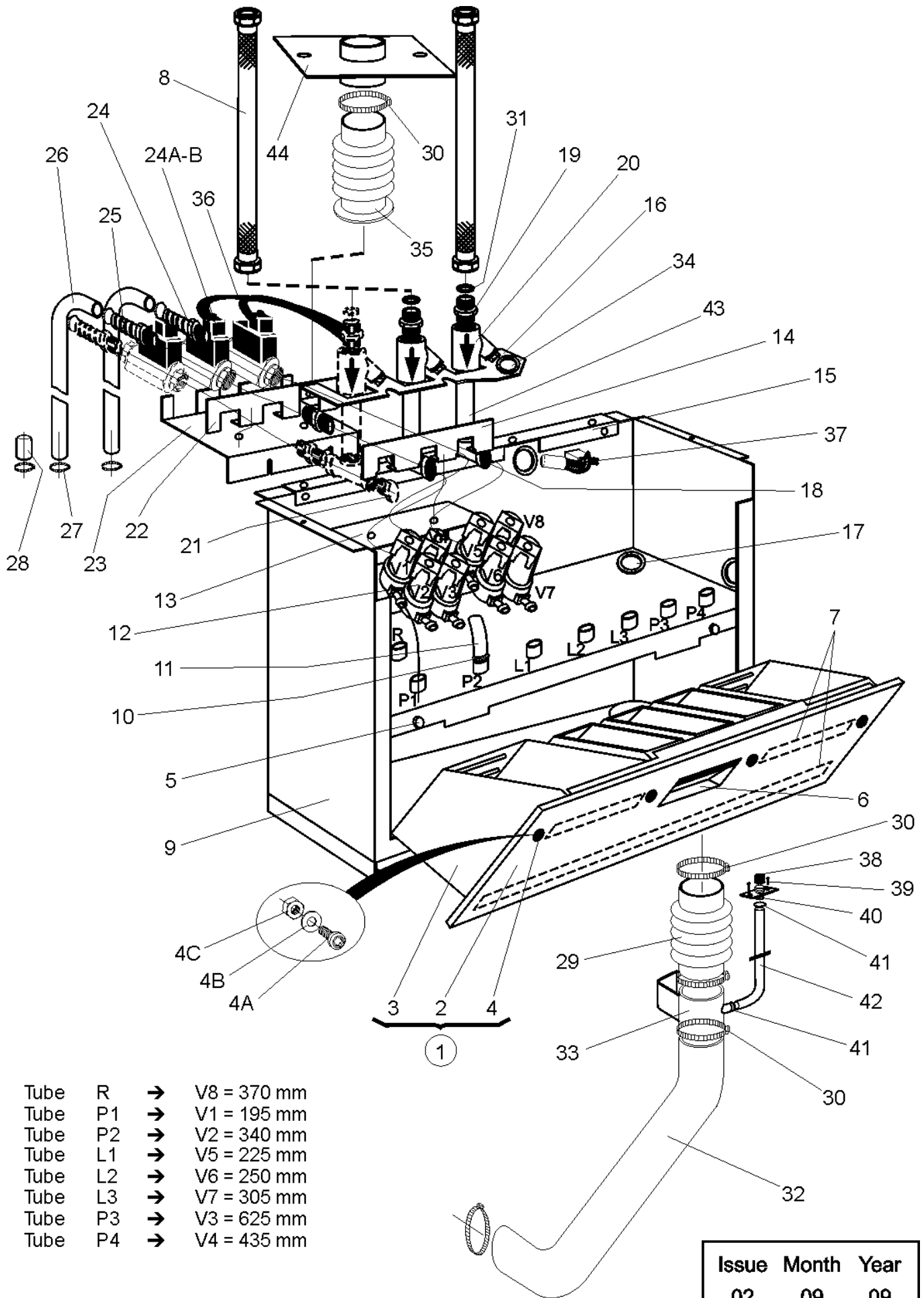
**WSB4250H. -93900010,WSB4350H. -93900010,WSB4500H. -93900010,WSB4650H. -93900010**

**Detergents container - Air vent-Waters inlet**

Illustration Issue Month Year  
Schéma Issue Month Year  
**611126/1 3 9 2009**

**Bac à produits - Prise air - Arrivée des eaux**

Item Article	Quantity Quantité				Art.No Réf. article	Description	Description	Info Info	Notes Remarques
	WSB4250H.								
	WSB4350H.								
	WSB4500H.								
	WSB4650H.								
<b>1</b>	1	1	1	1	<b>55013087</b>	Detergents box	Boîte à produits	1,2	Complete State Product No.
	1	1	1	1	<b>55013088</b>	Detergents box	Boîte à produits	1,2	Complete Stainless steel
<b>2</b>	1	1	1	1	<b>31103357</b>	•Detergents container door	•Porte bac à produits	3	State Product No.
	1	1	1	1	<b>31103358</b>	•Detergents container door	•Porte bac à produits	3	Stainless steel
<b>3</b>	1	1	1	1	<b>31104198</b>	•Detergents box	•Boîte à produits	1,2	
<b>4</b>	4	4	4	4	<b>75015210</b>	•Pop rivet	•Rivet	3	Plastic -81100007
<b>4A</b>	4	4	4	4	<b>74033908</b>	•Screw	•Vis	3	M5x10 81100008-
<b>4B</b>	4	4	4	4	<b>74036004</b>	•Washer	•Rondelle	3	Ø5 81100008-
<b>4C</b>	4	4	4	4	<b>74011001</b>	•Cage nut	•Ecrou	3	M5 81100008-
<b>5</b>	2	2	2	2	<b>75019001</b>	Rubber stop	Butée caoutchouc	1,2	
<b>6</b>	1	1	1	1	<b>74030112</b>	Handle	Poignée	3	
<b>7</b>	1m	1m	1m	1m	<b>96000026</b>	Double face scotch tape	Adhésif double face	3	
<b>8</b>	2	2	2	2	<b>31105670</b>	Hose	Tuyau flexible	3	DN20 Length 1000mm
<b>9</b>	1	1	1	1	<b>55010364</b>	Detergent container	Bac à produits	3	
<b>10</b>	16	16	16	16	<b>72046179</b>	Cramp	Collier	3	Ø10/19
<b>3m</b>	3m	3m	3m	3m	<b>75015153</b>	Hose	Tuyau souple	1,2	Ø10/18
<b>11</b>	3m	3m	3m	3m	<b>72046175</b>	Hose	Tuyau souple	1,2	Ø10/18 for DVGW
<b>12</b>	2	2	2	2	<b>72011158</b>	Solenoid valve	Electrovanne	1,2	17L/min
<b>13</b>	1	1	1	1	<b>31100791</b>	Valves support	Support vannes	3	Front
<b>14</b>	1	1	1	1	<b>31100043</b>	Flange	Bride	3	Front
<b>15</b>	1	1	1	1	<b>31100792</b>	Rail	Support	3	Upper
<b>16</b>	1	1	1	1	<b>31103397</b>	Flange	Bride	3	
<b>17</b>	3	3	3	3	<b>71075019</b>	Grommet	Passe-fil	3	Ø45
<b>18</b>	2	2	2	2	<b>72043172</b>	Tee-square	Té	3	G3/4"
<b>19</b>	6	6	6	6	<b>31100796</b>	Joint nipple	Mamelon de raccord	3	G3/4" Cancelled
<b>20</b>	2	2	2	2	<b>72012007</b>	Strainer	Filtre	3	G3/4"
<b>21</b>	1	1	1	1	<b>72040033</b>	Male plug	Bouchon mâle	3	G3/4" 3rd water optional
<b>22</b>	1	1	1	1	<b>31100041</b>	Valves support	Support vannes	3	Back
<b>23</b>	1	1	1	1	<b>31100042</b>	Flange	Bride	3	Back
<b>24</b>	2	2	2	2	<b>72011155</b>	Solenoid valve	Electrovanne	1,2	G3/4"
<b>24A</b>	1	1	1	1	<b>71053083</b>	•Coil	•Bobine	1,2	
<b>24B</b>	1	1	1	1	<b>72011169</b>	•Kit	•Kit de réparation	1,2	
<b>25</b>	2	2	2	2	<b>31005341</b>	Straight adapter	Raccord droit	3	
<b>26</b>	2	2	2	2	<b>72046138</b>	Rubber hose	Tuyau en caoutchouc	1,2	Ø25 by meter Length 1200mm
	2	2	2	2	<b>72046174</b>	Pipe	Tuyau	1,2	Ø22/31 for DVGW
<b>27</b>	4	4	4	4	<b>72046032</b>	Cramp	Collier	3	Ø20/32
<b>28</b>	1	1	1	1	<b>31005561</b>	Cap	Bouchon	3	
<b>29</b>	1	1	1	1	<b>72048001</b>	Connection bellow	Soufflet de raccordement	1,2	
<b>30</b>	5	5	5	5	<b>72046137</b>	Cramp	Collier	1,2	Ø50/70
<b>31</b>	2	2	2	2	<b>72052061</b>	Fiber joint	Joint fibre	3	G3/4" Cancelled
<b>32</b>	1	1	1	1	<b>31005228</b>	Durit	Durit	1,2	
<b>33</b>	1	1	1	1	<b>31103298</b>	Rail	Support	3	
<b>34</b>	1	1	1	1	<b>71075060</b>	Grommet	Passe-fil	3	Ø27
<b>35</b>	1	1	1	1	<b>72048022</b>	Connection bellow	Soufflet de raccordement	1,2	
<b>36</b>	1	1	1	1	<b>31101640</b>	Cable set	Toron	3	
					<b>31103325</b>	Cable set	Toron	3	
<b>37</b>	1	1	1	1	<b>31102799</b>	Connector	Connecteur	3	
<b>38</b>	1	1	1	1	<b>31005561</b>	Cap	Bouchon	3	
<b>39</b>	2	2	2	2	<b>74033102</b>	Screw	Vis	3	M8x20
<b>40</b>	1	1	1	1	<b>31103385</b>	Nipple	Raccord	3	



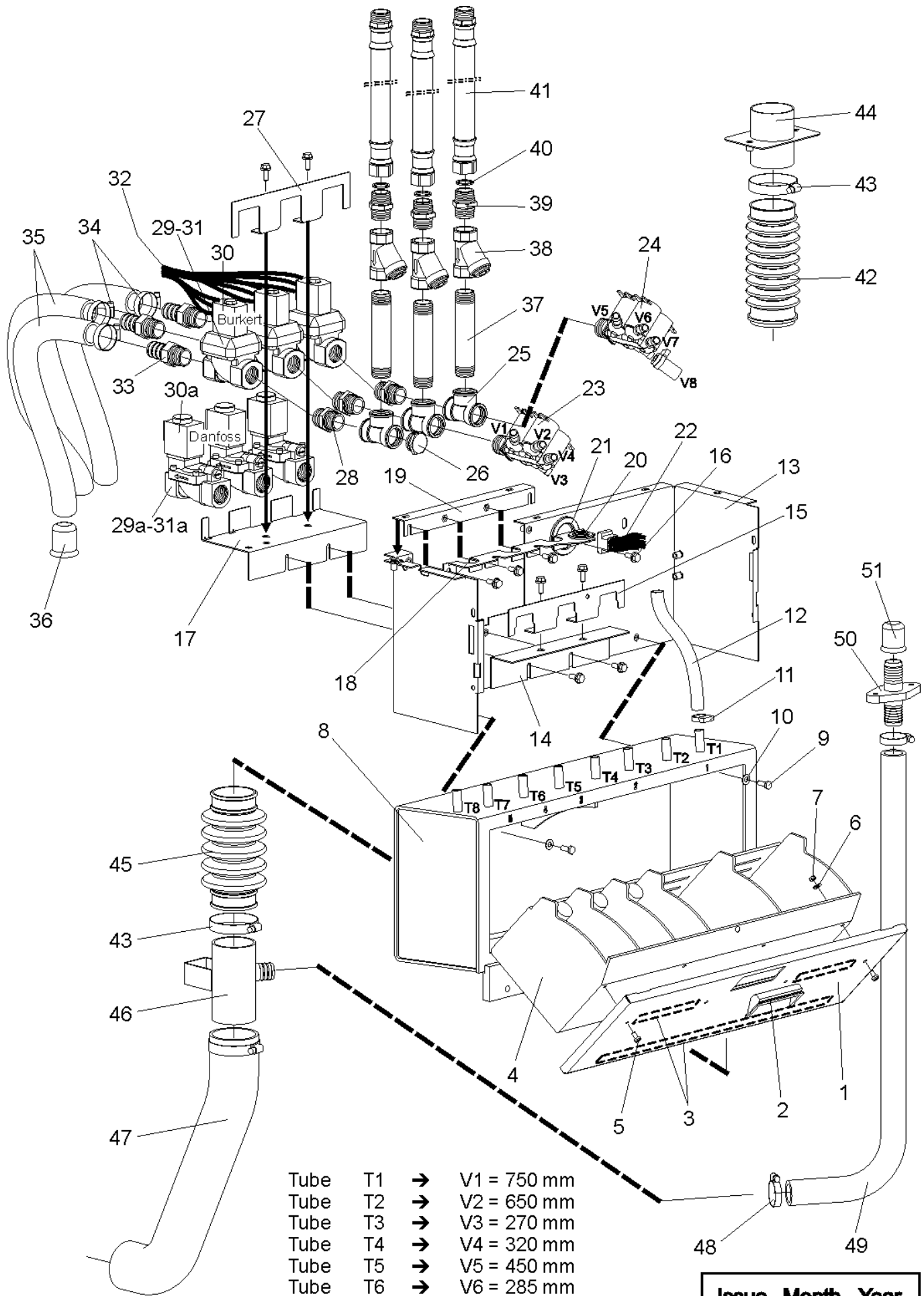
**WSB4250H. -93900010, WSB4350H. -93900010, WSB4500H. -93900010, WSB4650H. -93900010**

**Detergents container - Air vent-Waters inlet**

Illustration Issue Month Year  
Schéma Issue Month Year  
**611126/1 3 9 2009**

**Bac à produits - Prise air - Arrivée des eaux**

Item Article	Quantity Quantité				Art.No Réf. article	Description	Description	Info Info	Notes Remarques
	WSB4250H.								
	WSB4350H.								
	WSB4500H.								
	WSB4650H.								
<b>41</b>	2	2	2	2	<b>72046032</b>	Cramp	Collier	3	Ø20/32
<b>42</b>	1m	1m	1m	1m	<b>72046138</b>	Rubber hose	Tuyau en caoutchouc	3	Ø25 by meter
<b>43</b>	2	2	2	2	<b>31101593</b>	Pipe	Tuyau	3	Ø20/27 Length 120mm
<b>44</b>	1	1	1	1	<b>31102473</b>	Branch pipe	Tube de raccordement	3	



Tube	T1	→	V1 = 750 mm
Tube	T2	→	V2 = 650 mm
Tube	T3	→	V3 = 270 mm
Tube	T4	→	V4 = 320 mm
Tube	T5	→	V5 = 450 mm
Tube	T6	→	V6 = 285 mm
Tube	T7	→	V7 = 235 mm
Tube	T8	→	V8 = 330 mm

<b>Issue</b>	<b>Month</b>	<b>Year</b>
02	10	11

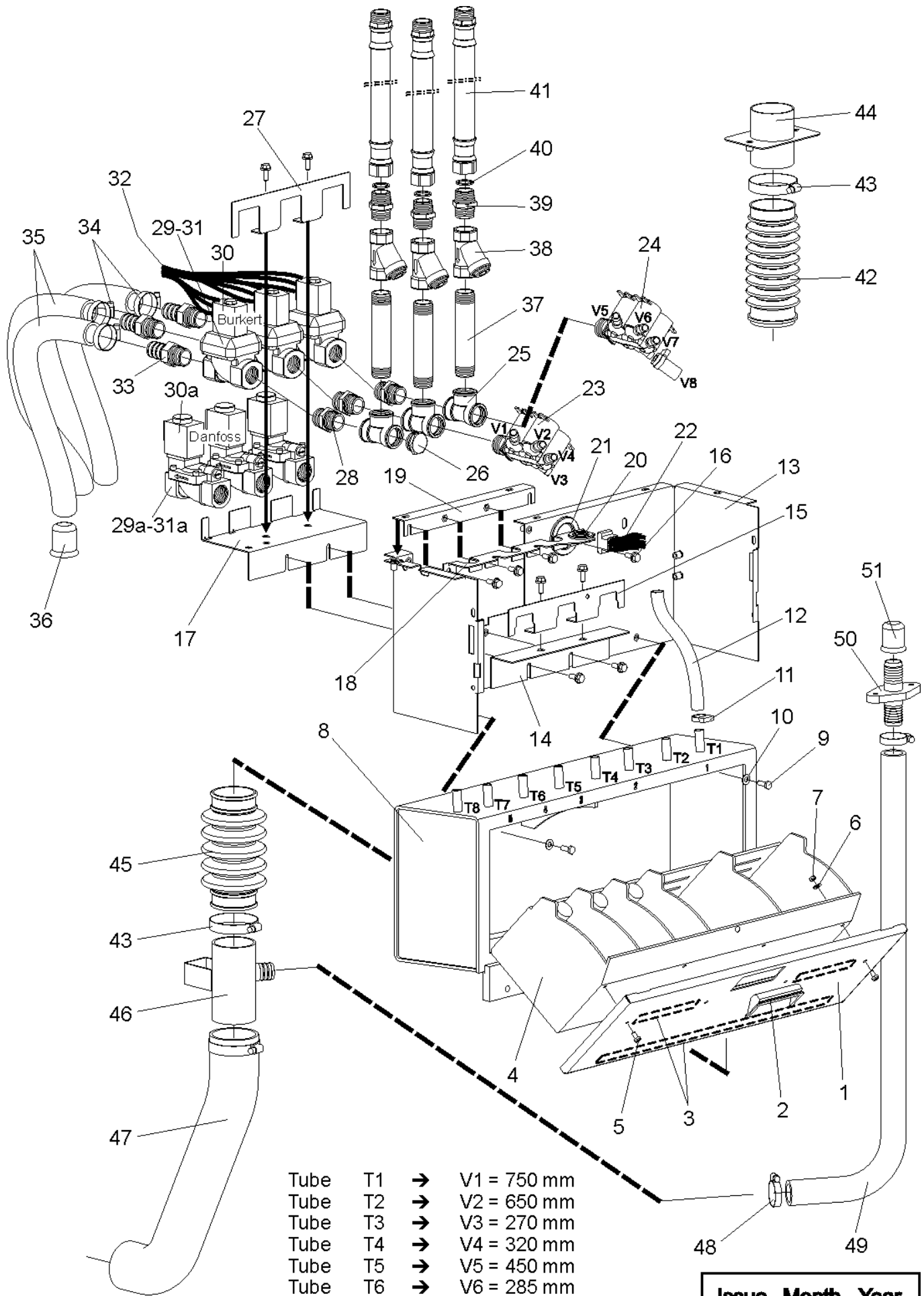
**WSB4250H. 93900011-,WSB4350H. 93900011-,WSB4500H. 93900011-,WSB4650H. 93900011-**

**Detergents container - Air vent-Waters inlet**

Illustration Issue Month Year  
Schéma Issue Month Year  
**611218/1 2 10 2011**

**Bac à produits - Prise air - Arrivée des eaux**

Item Article	Quantity Quantité				Art.No Réf. article	Description	Description	Info Info	Notes Remarques
	WSB4250H.								
	WSB4350H.								
	WSB4500H.								
	WSB4650H.								
1	1	1	1	1	31105549	Detergents container door	Porte bac à produits	1,2	State Product No.
	1	1	1	1	31105776	Detergents container door	Porte bac à produits	1,2	Stainless steel
2	1	1	1	1	74030112	Handle	Poignée	3	
3	1m	1m	1m	1m	96000026	Double face scotch tape	Adhésif double face	3	
4	1	1	1	1	31105561	Detergents box	Boîte à produits	1,2	
5	4	4	4	4	74033908020	Screw	Vis	3	M5x10 20 units
6	4	4	4	4	74036004020	Washer	Rondelle	3	Ø5 20 units
7	4	4	4	4	74011001020	Cage nut	Ecrou	3	M5 20 units
8	1	1	1	1	31105562	Detergent container	Bac à produits	3	
9	2	2	2	2	74010003020	Screw	Vis	3	M6x16 20 units
10	2	2	2	2	74036006020	Washer	Rondelle	3	Ø6 20 units
11	16	16	16	16	72046179	Cramp	Collier	3	Ø10/19
12	4m	4m	4m	4m	75015153	Hose	Tuyau souple	1,2	Ø10/18
	4m	4m	4m	4m	72046175	Hose	Tuyau souple	1,2	Ø10/18 for DVGW
13	1	1	1	1	31105542	Detergent container support	Support bac à produits	3	
14	1	1	1	1	31105544	Valves support	Support vannes	3	
15	1	1	1	1	31105543	Flange	Bride	3	
16	10	10	10	10	74033002020	Screw	Vis	3	M6x16 20 units
17	1	1	1	1	31105545	Valves support	Support vannes	3	Back
18	1	1	1	1	31105546	Flange	Bride	3	
19	1	1	1	1	31105547	Edging	Cornière	3	Upper
20	1	1	1	1	71075060	Grommet	Passe-fil	3	Ø27
21	1	1	1	1	71075019	Grommet	Passe-fil	3	Ø45
22	1	1	1	1	31105815	Cable set	Toron	3	
23	1	1	1	1	72011158	Solenoid valve	Electrovanne	1,2	17L/min
24	1	1	1	1	72011206	Solenoid valve	Electrovanne	1,2	10L/min
25	2	2	2	2	72043172	Tee-square	Té	3	G3/4"
26	1	1	1	1	72040033	Male plug	Bouchon mâle	3	G3/4" 3rd water optional
27	1	1	1	1	31105548	Clamp	Bride de fixation	3	
28	2	2	2	2	31100796	Joint nipple	Mamelon de raccord	3	G3/4"
29	2	2	2	2	72011155	Solenoid valve	Electrovanne	1,2	G3/4" Burkert -14110006
30	1	1	1	1	71053083	•Coil	•Bobine	1,2	Burkert -14110006
31	2	2	2	2	72011169	Kit	Kit de réparation	1,2	Burkert -14110006
29a	2	2	2	2	72011211	Solenoid valve	Electrovanne	1,2	G3/4" Danfoss 14110007-
30a	1	1	1	1	71053121	•Coil	•Bobine	1,2	Danfoss 14110007-
31a	1	1	1	1	72011216	Kit	Kit de réparation	1,2	Danfoss 14110007-
32	1	1	1	1	31101640	Cable set	Toron	3	
				1	31103325	Cable set	Toron	3	
33	2	2	2	2	31005341	Straight adapter	Raccord droit	3	
34	4	4	4	4	72046032	Cramp	Collier	3	Ø20/32
35	2	2	2	2	72046138	Rubber hose	Tuyau en caoutchouc	1,2	Ø25 by meter
	2	2	2	2	72046174	Pipe	Tuyau	1,2	Ø22/31 for DVGW
36	1	1	1	1	31005561	Cap	Bouchon	3	Optional
37	2	2	2	2	31101593	Pipe	Tuyau	3	Ø20/27 Length 120mm
38	2	2	2	2	72012007	Strainer	Filtre	3	G3/4"
39	2	2	2	2	31100796	Joint nipple	Mamelon de raccord	3	G3/4"
40	2	2	2	2	72052061	Fiber joint	Joint fibre	3	G3/4"
41	2	2	2	2	31105670	Hose	Tuyau flexible	3	DN20
42	1	1	1	1	72048022	Connection bellow	Soufflet de raccordement	1,2	
43	5	5	5	5	72046137	Cramp	Collier	3	Ø50/70
44	1	1	1	1	31102473	Branch pipe	Tube de raccordement	3	



Tube	T1	→	V1 = 750 mm
Tube	T2	→	V2 = 650 mm
Tube	T3	→	V3 = 270 mm
Tube	T4	→	V4 = 320 mm
Tube	T5	→	V5 = 450 mm
Tube	T6	→	V6 = 285 mm
Tube	T7	→	V7 = 235 mm
Tube	T8	→	V8 = 330 mm

<b>Issue</b>	<b>Month</b>	<b>Year</b>
02	10	11

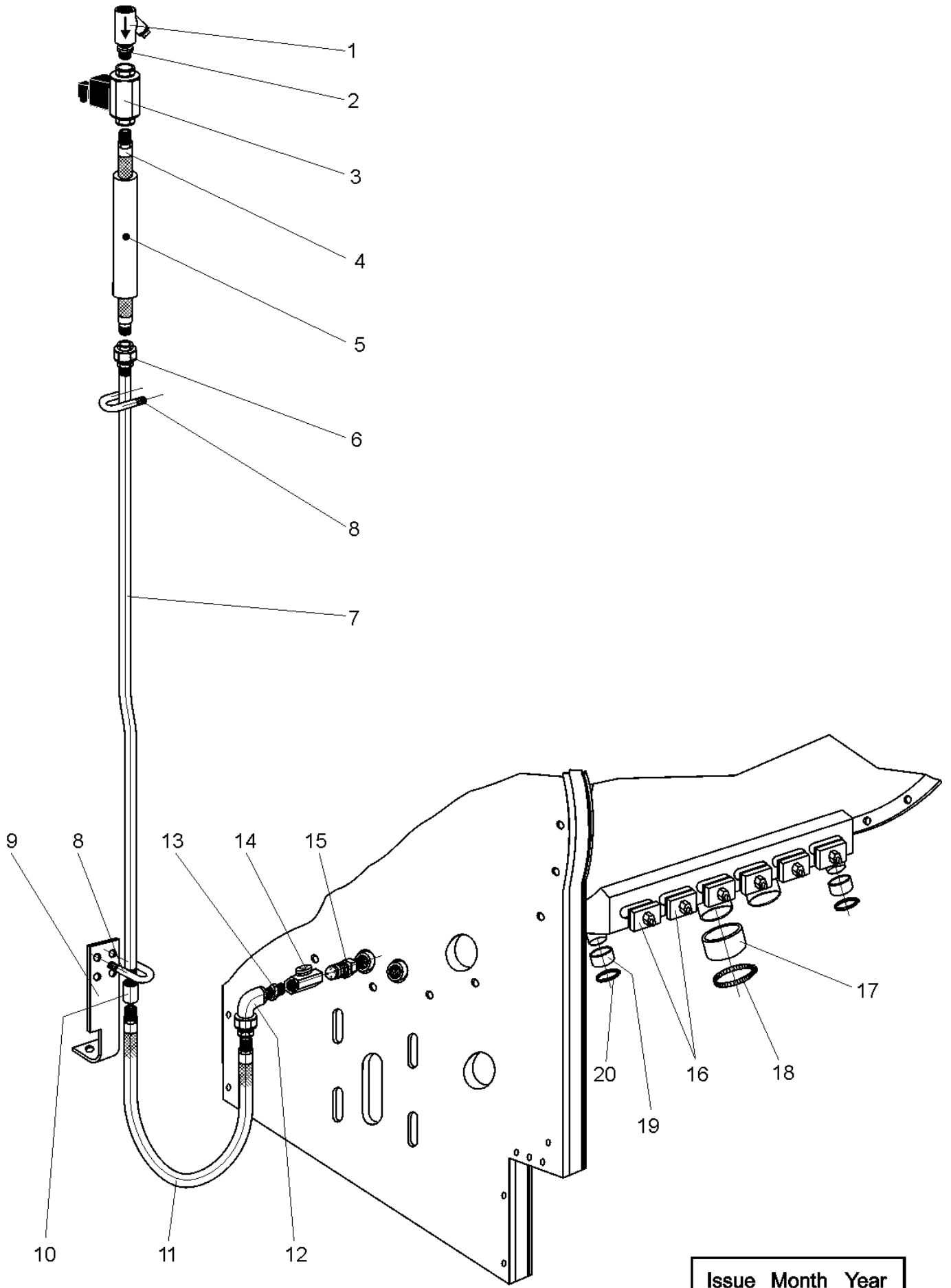
**WSB4250H. 93900011-,WSB4350H. 93900011-,WSB4500H. 93900011-,WSB4650H. 93900011-**

**Detergents container - Air vent-Waters inlet**

Illustration Issue Month Year  
Schéma Issue Month Year  
**611218/1 2 10 2011**

**Bac à produits - Prise air - Arrivée des eaux**

Item Article	Quantity Quantité				Art.No Réf. article	Description	Description	Info Info	Notes Remarques
	WSB4250H.								
	WSB4350H.								
	WSB4500H.								
	WSB4650H.								
<b>45</b>	1	1	1	1	<b>72048001</b>	Connection bellow	Soufflet de raccordement	1,2	
<b>46</b>	1	1	1	1	<b>31103298</b>	Rail	Support	3	
<b>47</b>	1	1	1	1	<b>31005228</b>	Durit	Durit	1,2	
<b>48</b>	2	2	2	2	<b>72046032</b>	Cramp	Collier	3	Ø20/32
<b>49</b>	1m	1m	1m	1m	<b>72046138</b>	Rubber hose	Tuyau en caoutchouc	3	Ø25 by meter
<b>50</b>	1	1	1	1	<b>31103385</b>	Nipple	Raccord	3	
<b>51</b>	1	1	1	1	<b>31005561</b>	Cap	Bouchon	3	



611068

Issue	Month	Year
02	10	08



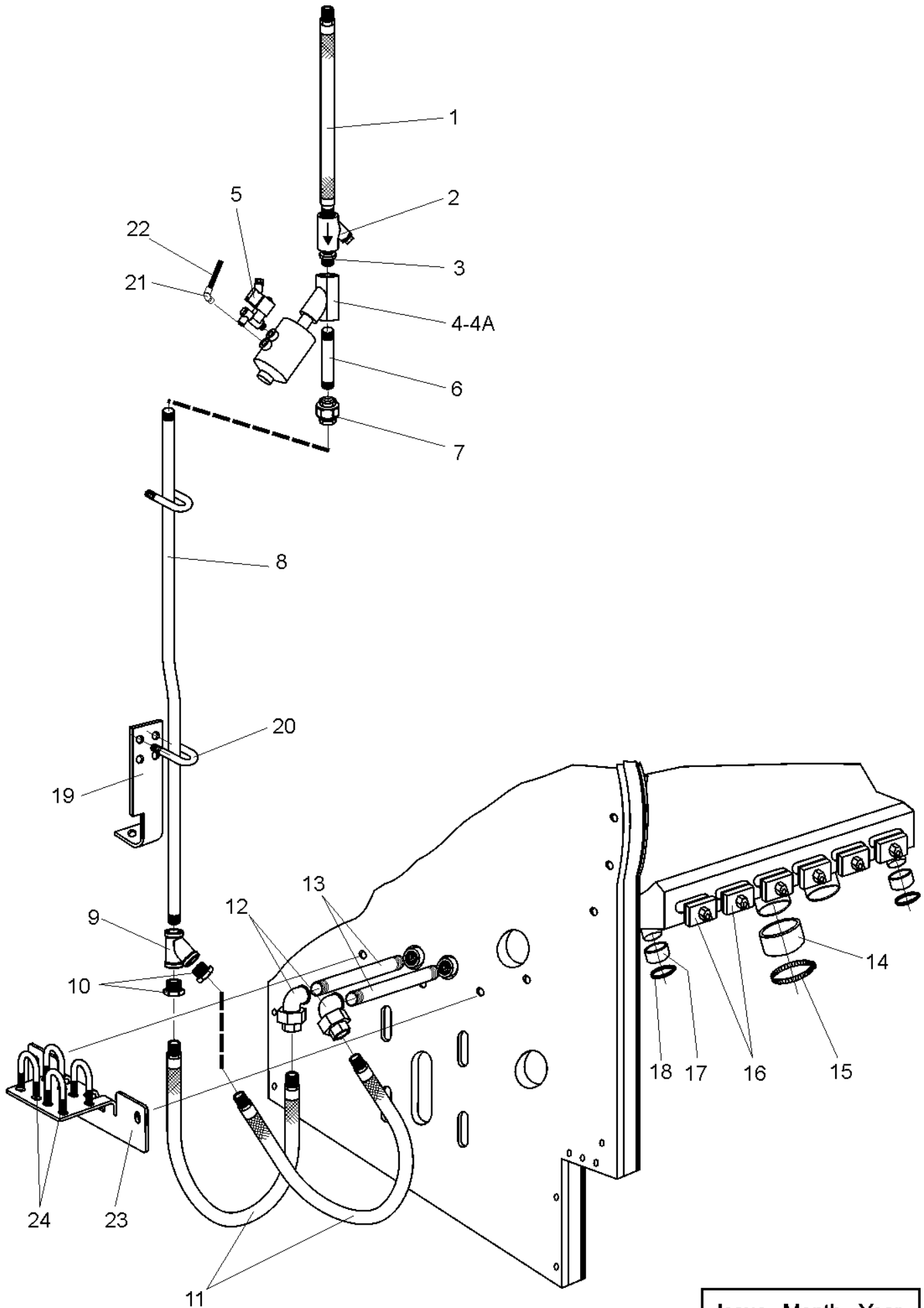
**WSB4250H.,WSB4350H.,WSB4500H.,WSB4650H.**

**Steam heating**

**Chauffage à vapeur**

Illustration Issue Month Year  
Schéma Issue Month Year  
**611068/1 3 10 2008**

Item Article	Quantity Quantité	Art.No Réf. article	Description	Description	Info Info	Notes Remarques
			WSB4250H.			
			WSB4350H.			
			WSB4500H.			
			WSB4650H.			
<b>1</b>	1	<b>72012010</b>	Steam filter	Filtre vapeur	1,2	G3/4"
<b>2</b>	1	<b>72043024</b>	Joint nipple	Mamelon de raccord	3	G3/4"
<b>3</b>	1	<b>72011205</b>	Solenoid valve	Electrovanne	1,2	G3/4"
<b>4</b>	1	<b>31005008</b>	Steam flexible pipe	Flexible vapeur	1,2	G3/4" length 650mm
<b>5</b>	1	<b>75015233</b>	Insulator	Isolant	1,2	
<b>6</b>	1	<b>72043034</b>	Union sleeve	Manchon union	3	G3/4" -85100023
	1	<b>72043079</b>	Union sleeve	Manchon union	3	G3/4" 85100024-
<b>7</b>	1	<b>31100314</b>	Steam pipe	Tube vapeur	3	
<b>8</b>	2	<b>74025040</b>	Clamping piece	Etrier de serrage	3	
<b>9</b>	1	<b>31100310</b>	Steam pipe support	Support tube vapeur	3	
		<b>31100876</b>	Steam pipe support	Support tube vapeur	3	
<b>10</b>	1	<b>72041001</b>	Hose sleeve	Manchon	3	G3/4"
<b>11</b>	1	<b>31005008</b>	Steam flexible pipe	Flexible vapeur	1,2	G3/4" length 650mm
<b>12</b>	1	<b>72042021</b>	Connection bend	Coude-union	3	G3/4"
<b>13</b>	1	<b>31100796</b>	Joint nipple	Mamelon de raccord	3	G3/4"
<b>14</b>	1	<b>72013075</b>	Nonreturn valve	Clapet anti-retour	1,2	G3/4"
<b>15</b>	1	<b>31103323</b>	Steam diffuser	Diffuseur vapeur	1,2	
		<b>31103324</b>	Steam diffuser	Diffuseur vapeur	1,2	
<b>16</b>	4	<b>71070006</b>	Quick mounting shutter	Obturateur rapide	1,2	
<b>17</b>	1	<b>31005235</b>	Cap	Bouchon	1,2	Ø60
<b>18</b>	1	<b>72046137</b>	Cramp	Collier	1,2	Ø50/70
<b>19</b>	2	<b>75015155</b>	Rubber cap	Capuchon caoutchouc	1,2	Ø40
<b>20</b>	2	<b>72046036</b>	Cramp	Collier	1,2	Ø32/52



Issue	Month	Year
02	02	14

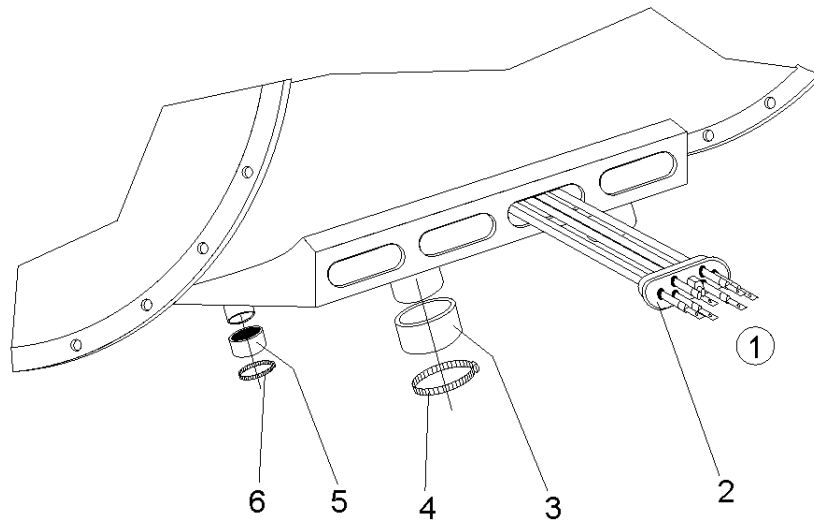
**WSB4250H.,WSB4350H.,WSB4500H.,WSB4650H.**

**Low pressure steam heating**

Illustration Issue Month Year  
Schéma Issue Month Year  
**611105/1 5 2 2014**

**Chauffage vapeur basse pression**

Item Article	Quantity Quantité	Art.No Réf. article	Description	Description	Info Info	Notes Remarques	
			WSB4250H.				
			WSB4350H.				
			WSB4500H.				
			WSB4650H.				
1	1	1	1	1	31100984	Steam flexible pipe Flexible vapeur	1,2 G1", L=700mm
2	1	1	1	1	72012011	Steam filter Filtre vapeur	1,2 G1"
3	1	1	1	1	72043025	Joint nipple Mamelon de raccord	3 G1"
4	1	1	1	1	72010095	Steam valve Vanne vapeur	1,2 G1"
4A	1	1	1	1	72010108	•Valve flap kit •Kit clapet pour vanne	1,2 G1"
5	1	1	1	1	72011165	Electrovalve + control valve Electrovanne + valve	1,2 230V
6	1	1	1	1	31105242	Steam pipe Tube vapeur	3 Length 150mm
7	1	1	1	1	72043161	Union sleeve Manchon union	3 G1"
8	1	1	1	1	31104275	Steam pipe Tube vapeur	3 Steel
	1	1	1	1	31106447	Steam pipe Tube vapeur	3 Stainless
9	1	1	1	1	72043221	Tee-square Té	3 G1"
10	2	2	2	2	72043042	Reducing nipple Mamelon réducteur	3 G1-3/4"
11	2	2	2	2	31005008	Steam flexible pipe Flexible vapeur	1,2 G3/4" length 650mm
12	2	2	2	2	72042021	Connection bend Coude-union	3 G3/4"
13	2	2	2	2	31101593	Pipe Tuyau	3 Ø20/27 Length 120mm
14	1	1	1	1	31005235	Cap Bouchon	1,2 Ø60
15	1	1	1	1	72046137	Cramp Collier	1,2 Ø50/70
16	4	6	8	12	71070006	Quick mounting shutter Obturateur rapide	1,2
17	2	2	2	2	75015155	Rubber cap Capuchon caoutchouc	1,2 Ø40
18	2	2	2	2	72046036	Cramp Collier	1,2 Ø32/52
19	1	1			31100310	Steam pipe support Support tube vapeur	3
			1	1	31100876	Steam pipe support Support tube vapeur	3
20	2	2	2	2	74025044	Clamping piece Etrier de serrage	3 Ø26/34
21	1	1	1	1	72044110	Nipple Raccord	3 G1/4" Elbow
22	5	5	5	5	72046139	Plastic piping Tube en plastique	3 Ø4x6 by meter
23	1	1	1	1	31107934	Pipe support Support tube	3
24	4	4	4	4	74025040	Clamping piece Etrier de serrage	3



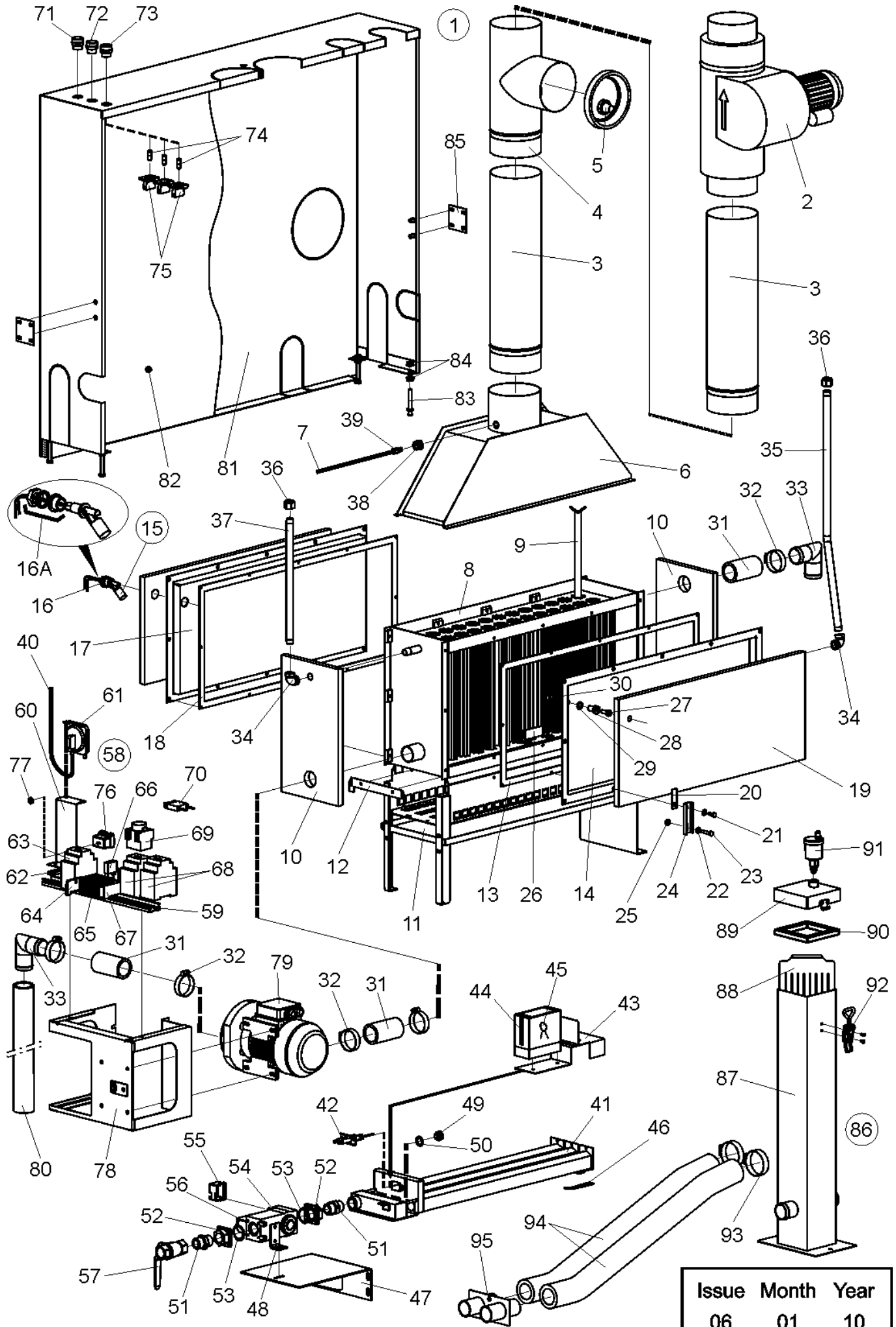
**WSB4250H.,WSB4350H.,WSB4500H.,WSB4650H.**

**Electrical heating**

Illustration Issue Month Year  
Schéma Issue Month Year  
**610727/2 3 8 2006**

**Chauffage électrique**

Item Article	Quantity Quantité	Art.No Réf. article	Description	Description	Info Info	Notes Remarques
			WSB4250H.			
			WSB4350H.			
			WSB4500H.			
			WSB4650H.			
<b>1</b>	1	<b>55011213</b>	Wired resistors	Résistances précablées	3	Complete
	1	<b>55011226</b>	Wired resistors	Résistances précablées	3	Complete
	1	<b>55011232</b>	Wired resistors	Résistances précablées	3	Complete
	1	<b>55011237</b>	Wired resistors	Résistances précablées	3	Complete
<b>2</b>	4	<b>71070008</b>	•Heating element	•Résistance chauffante	1,2	4500W, 230V
<b>3</b>	1	<b>31005235</b>	Cap	Bouchon	1,2	Ø60
<b>4</b>	1	<b>72046137</b>	Cramp	Collier	1,2	Ø50/70
<b>5</b>	2	<b>75015155</b>	Rubber cap	Capuchon caoutchouc	1,2	Ø40
<b>6</b>	2	<b>72046036</b>	Cramp	Collier	1,2	Ø32/52



Issue	Month	Year
06	01	10

**WSB4250H.,WSB4350H.,WSB4500H.,WSB4650H.**

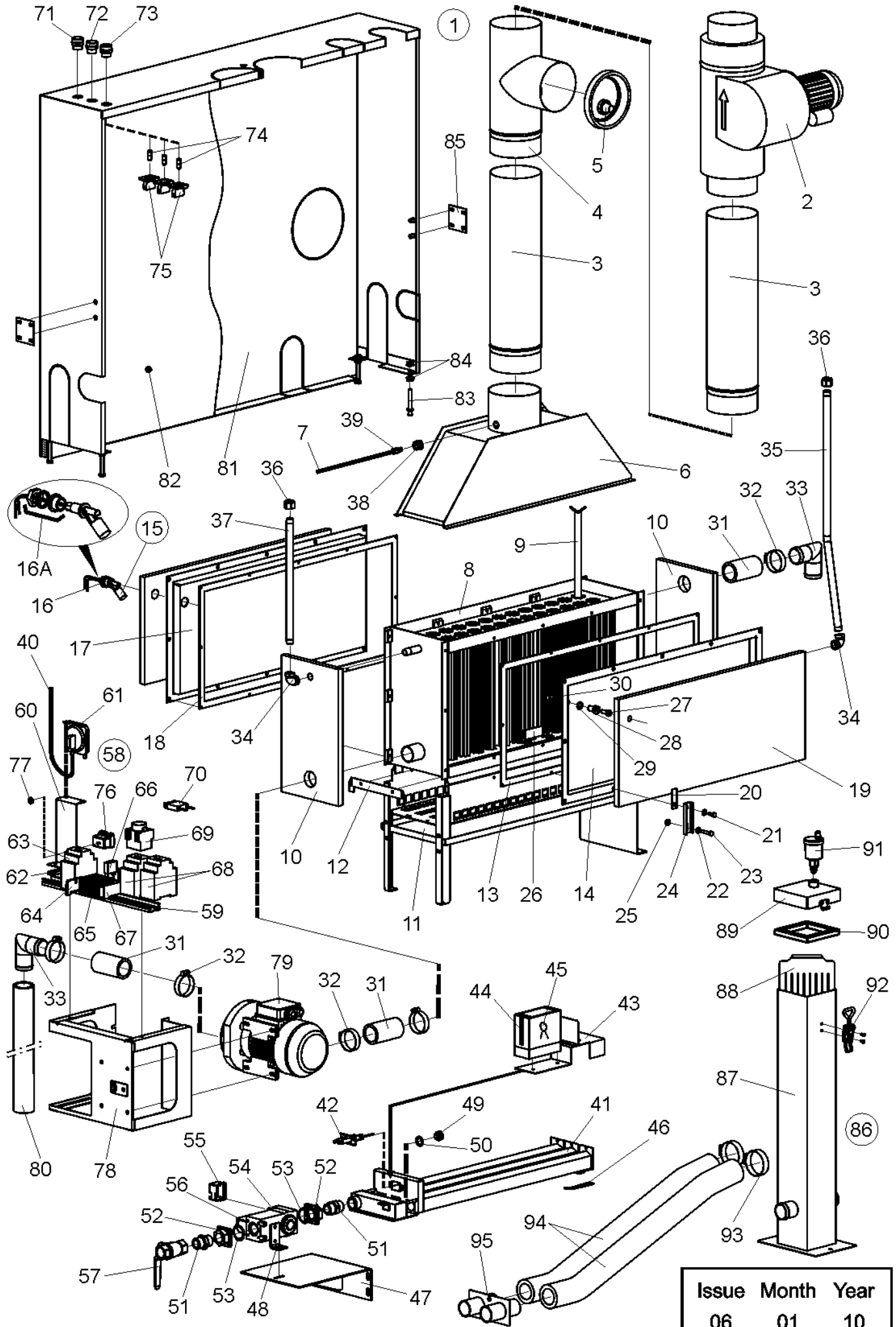
**Gas heating**

Illustration Issue Month Year  
Schéma Issue Month Year

**Chauffage gaz**

**610656/4 5 5 2010**

Item Article	Qua Qua	Art.No Réf. article	Description	Description	Info Info	Notes Remarques
1	1	55010196	Heat exchanger	Echangeur de chaleur	3	Complete
2	1	71020031	• Draught accelerator	• Accélérateur de tirage	3	
3	2	74031051	• Aluminium hose	• Tuyau aluminium	3	Ø125mm L=500mm
4	1	74031052	• Tee-square	• Té equerre	3	
5	1	74031035	• Chimney regulator	• Régulateur de cheminée	3	
6	1	31007321	• Collector pipe	• Collecteur	3	
7	1	11060001	• Copper tube	• Tube cuivre	3	Ø4x6 L=500mm
8	1	31007100	• Heat exchanger	• Échangeur de chaleur	3	
9	39	31002496	• Exchanger inner tube	• Tube intérieur échangeur	3	
10	2	31004339	• Rock wool	• Laine de roche	3	
11	1	31007267	• Heating box	• Boite de chauffe	3	
12	1	31008372	• Deflector	• Déflecteur	3	
13	1	31004482	• Door joint	• Joint de porte	1,2	
14	1	31004241	• Exchanger door	• Porte échangeur	3	-32100010
	1	31008408	• Exchanger door	• Porte échangeur	3	32100011-
15	1	56000043	• Water level detector kit	• Kit détecteur de niveau eau	1,2	
16	1	71054191	•• Level limit switch	•• Détecteur de niveau	1,2	
16A	1	71054218	••• Gaskets kit	••• Pochette joints	1,2	
17	1	31008391	•• Exchanger door	•• Porte échangeur	3	With hole
18	1	31004482	•• Door joint	•• Joint de porte	1,2	
19	2	31004341	• Rock wool	• Laine de roche	3	
20	16	31004335	• Supporting bracket	• Patte de maintien	3	
21	24	74010003020	• Screw	• Vis	3	M6x16 20 units
22	28	74036006020	• Washer	• Rondelle	3	Ø6 20 units
23	4	74010014	• Screw	• Vis	3	M6x30
24	4	31004470	• Door flange	• Bride de porte	3	
25	8	74033202020	• Cage nut	• Ecrou	3	M6 20 units
26	1	31008402	• Fixation leg	• Patte de fixation	3	32100011-
27	1	31008407	• Locking screw	• Vis de blocage	3	32100011-
28	1	31008403	• Cable fitting	• Presse étoupe	3	32100011-
29	1	72052076	• Seal	• Joint	3	32100011-
30	1	74011005	• Cage nut	• Ecrou	3	M12 32100011-
31	3	75015010	• Durit	• Durit	3	Ø38mm -30900001
	3	75015202	• Durit	• Durit	3	Ø38mm 30900002-
32	10	72046036	• Cramp	• Collier	3	Ø32/52
33	2	31007104	• Hose elbow	• Coude	3	
34	2	72043140	• Hose elbow	• Coude	3	G3/8"
35	1	31008413	• Filler pipe	• Tube de remplissage	3	
36	2	72040032	• Cap	• Bouchon	3	G3/8"
37	1	31008412	• Evacuation tube	• Tube évacuation	3	
38	1	31003509	• Opening in partition	• Traversée de cloison	3	G1/8"
39	1	32006860	• Right connection	• Piquage droit	3	
40	1	72046136	• Polyamide pipe	• Tube polyamide	3	Ø6x8 by meter L=500mm
41	1	31008354	• Gas pipe burner	• Rampe à gaz	1,2	Complete
42	1	55007910	• Electrode	• Électrode	1,2	
43	1	31008382	• Ignitor support	• Support allumeur	3	
44	1	71088018	• Igniter	• Allumeur	1,2	RV0513
45	1	71082035	• Varistor	• Varistance	1,2	
46	1	31008356	• Supporting bracket	• Patte de maintien	3	
47	1	31008381	• Rail carrier	• Fixation de rampe	3	
48	1	31007332	• Rail	• Support	3	
49	3	72051177	• Injector	• Injecteur	3	Ø1.70mm
	3	72051241	• Injector	• Injecteur	3	Ø1.85mm
	3	72051120	• Injector	• Injecteur	3	Ø2.90mm
	3	72051121	• Injector	• Injecteur	3	Ø3.20mm
50	3	72052064	• Seal	• Joint	1,2	
51	2	72043024	• Joint nipple	• Mamelon de raccord	3	G3/4"
52	2	72011144	• Right flange	• Bride droite	3	G3/4"
53	2	72011148	• O-ring	• Joint torique	1,2	



Issue	Month	Year
06	01	10



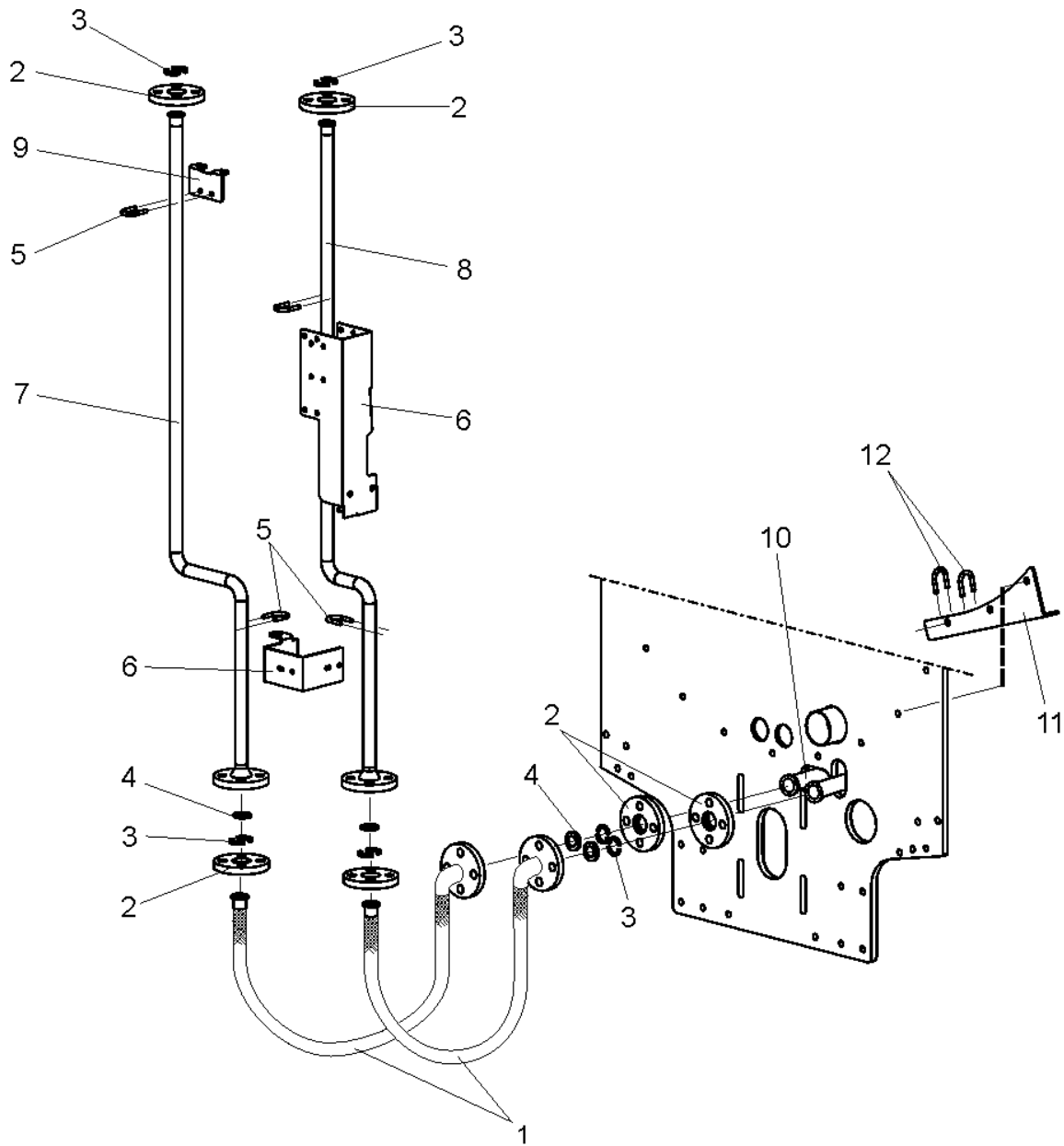
**WSB4250H.,WSB4350H.,WSB4500H.,WSB4650H.**

**Gas heating**

Illustration Issue Month Year  
Schéma Issue Month Year  
**610656/4 5 5 2010**

**Chauffage gaz**

Item Article	Qua Qua	Art.No Réf. article	Description	Description	Info Info	Notes Remarques
54	1	72011143	•Electrovalve block	•Bloc électrovanne	3	
55	1	72011150	•Fender waling	•Capot de protection	3	
56	1	72011120	•Conversion plate	•Plaque de conversion	3	Gaz Butane & Propane
57	1	72010081	•Tap	•Robinet	3	G3/4"
58	1	55011911	•Electric control plate	•Platine électrique	3	Complete
59	1	32004892	••Profile	••Profilé	3	L=350mm
60	1	31007790	••Pressure switch support	••Support pressostat	1,2	
61	1	72060067	••Pressostat	••Pressostat	1,2	
62	2	71081013	••Snap nut	••Erou encliquetable	3	
63	1	71050061	••Connector	••Contacteur	3	9A
64	2	71075058	••Ground terminal	••Borne de terre	3	2.5mm <sup>2</sup>
65	14	71075067	••Terminal block	••Borne de raccordement	3	
66	1	71052106	••Contactor	••Relais	3	10A 32100011-
67	1	71052120	••Relay support	••Support relais	3	32100011-
68	2	71050071	••Contactor	••Relais	3	230V
69	1	71052041	••Time delay contact	••Contact temporisé	3	
70	1	71082151	••Anti-interference block	••Bloc antiparasite	1,2	
71	1	71072035	••Indicator head	••Tête de voyant	3	White
72	1	71072034	••Indicator head	••Tête de voyant	3	Yellow
73	1	71072037	••Indicator head	••Tête de voyant	3	Red 32100011-
74	3	71071052	••Lamp	••Lampe	1,2	230V 32100011-
75	3	71072033	••Indicator body	••Corps de voyant	3	32100011-
76	1	71030072	••Thermostat	••Thermostat	1,2	32100011-
77	1	71030074	••Cage nut	••Erou	3	32100011-
78	1	31007105	••Pump support	••Support pompe	3	
79	1	72030033	••Centrifugal pump	••Pompe centrifuge	1,2	
80	1	75015191	••Hose	••Tuyau flexible	3	L=4m
81	2	31007262	••Exchanger casing	••Carter échangeur	3	
82	4	31007285	••Rock wool	••Laine de roche	3	
83	8	74033603010	••Screw	••Vis	3	M8x65 10 units
84	16	74033203010	••Cage nut	••Erou	3	M8 10 units
85	2	31007309	••Fixation leg	••Patte de fixation	3	
86	1	55010198	••Strainer	••Filtre	3	Complete
87	1	31101569	••Vat	••Cuve de filtre	3	
88	1	31101570	••Strainer	••Filtre	3	
89	1	31101568	••Cap	••Couvercle	3	
90	1	75011083	••Seal	••Joint	3	14x14
91	1	72013108	••Automatic drain cock	••Purgeur automatique	3	
92	2	74030066	••Catch	••Attache	3	
93	4	72046036	••Cramp	••Collier	3	Ø32/52
94	1	75015191	••Hose	••Tuyau flexible	3	L=4m
95	1	31100788	••Terminal block	••Borne de raccordement	3	



Issue	Month	Year
01	02	14

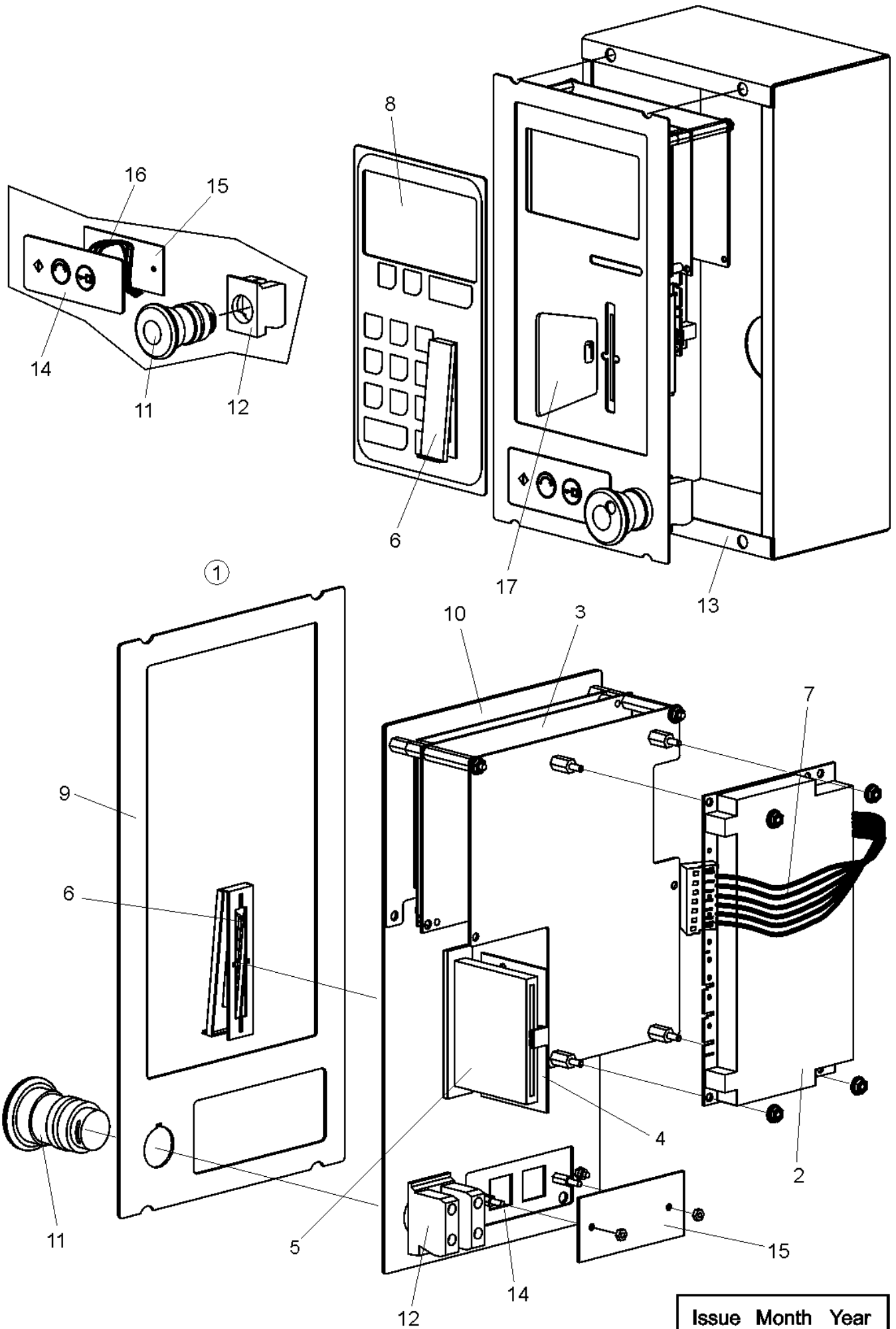
**WSB4250H.,WSB4350H.,WSB4500H.,WSB4650H.**

**Thermic fluide heating**

Illustration Issue Month Year  
Schéma Issue Month Year  
**611462/1 1 2 2014**

**Chauffage fluide thermique**

Item Article	Quantity Quantité	Art.No Réf. article	Description	Description	Info Info	Notes Remarques
			WSB4250H.			
			WSB4350H.			
			WSB4500H.			
			WSB4650H.			
1	2	2	2	2	3	DN15
2	6	6	6	6	3	DN15
3	12	12	12	12	3	
4	6	6	6	6	1,2	DN15
5	4	4	4	4	3	
6	1	1	1	1	3	Lower
			1	1	3	Lower
7	1	1	1	1	3	
			1	1	3	Inlet
8	1	1	1	1	3	
			1	1	3	Outlet
9	1	1	1	1	3	Upper
10	1	1	1	1	3	
			1	1	3	
			1	1	3	
			1	1	3	
11	1	1	1	1	3	
12	4	4	4	4	3	



Issue	Month	Year
01	04	07

**WSB4250H. -42300099,WSB4350H. -42300099,WSB4500H. -42300099,WSB4650H. -42300099**

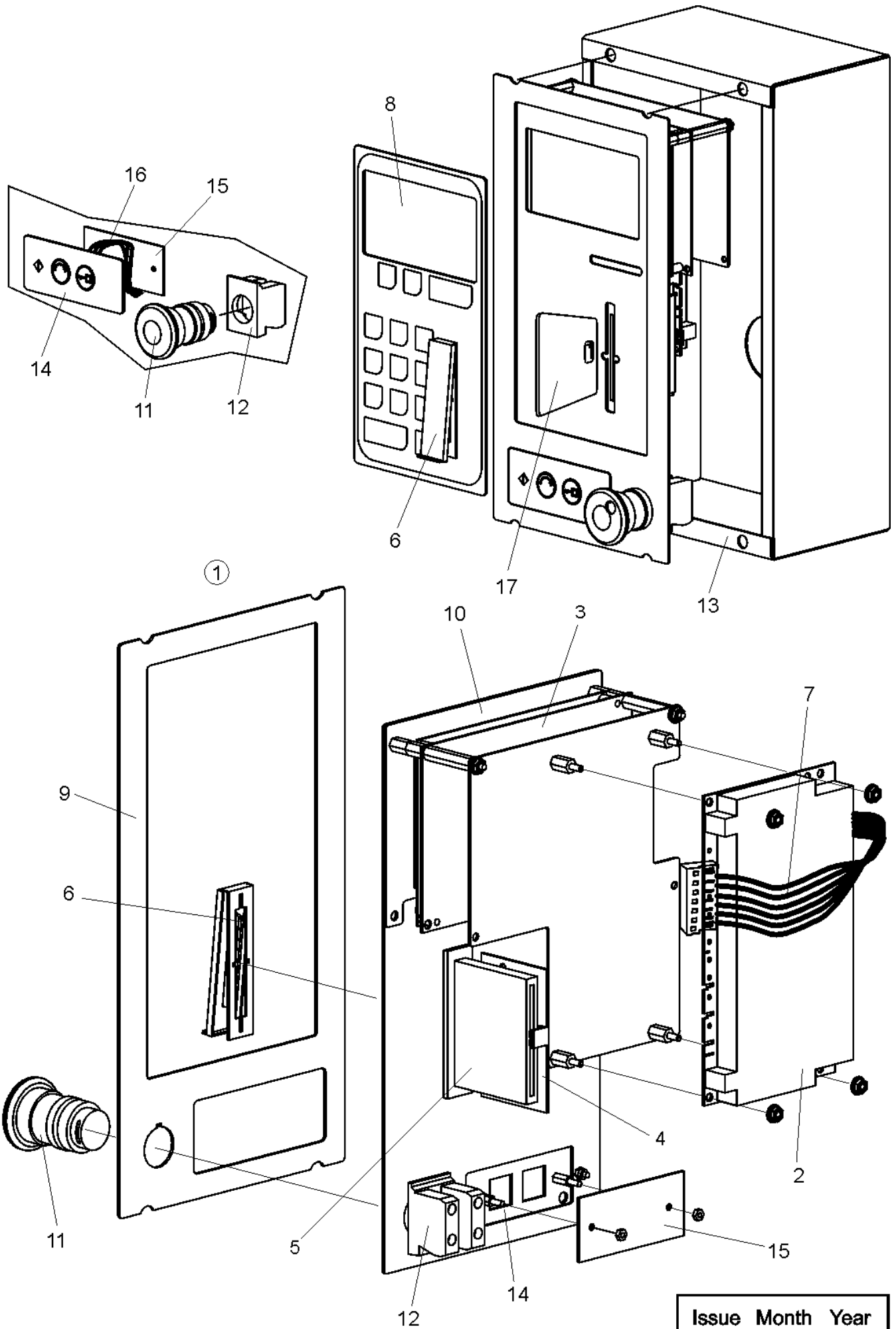
**CLARUS Electronic programmer**

Illustration Issue Month Year  
Schéma Issue Month Year

**Programmateur électronique CLARUS**

**611080/1 2 4 2007**

Item Article	Qua Qua	Art.No Réf. article	Description	Description	Info Info	Notes Remarques
1	1	55013363	CLARUS Electronic programmer	Programmateur électronique CLARUS	1,2	Complete
2	1	31104583	•CPU card Clarus	•Carte CPU Clarus	3	1 I/O-Card French Ver. 2.4 -83100014
	1	31105720	•CPU card Clarus	•Carte CPU Clarus	3	1 I/O-Card French Ver. 2.9 83100015-12310014
	1	31106307	•CPU card Clarus	•Carte CPU Clarus	3	1 I/O-Card French Ver. 3.1 12310015-
	1	31104584	•CPU card Clarus	•Carte CPU Clarus	3	2 I/O Cards French Ver. 2.4 -83100014
	1	31105721	•CPU card Clarus	•Carte CPU Clarus	3	2 I/O Cards French Ver. 2.9 83100015-12310014
	1	31106308	•CPU card Clarus	•Carte CPU Clarus	3	2 I/O Cards French Ver. 3.1 12310015-
	1	31104587	•CPU card Clarus	•Carte CPU Clarus	3	1 I/O-Card English Ver. 2.4 -83100014
	1	31105724	•CPU card Clarus	•Carte CPU Clarus	3	1 I/O-Card English Ver. 2.9 83100015-12310014
	1	31106311	•CPU card Clarus	•Carte CPU Clarus	3	1 I/O-Card English Ver. 3.1 12310015-
	1	31104588	•CPU card Clarus	•Carte CPU Clarus	3	2 I/O Cards English Ver. 2.4 -83100014
	1	31105634	•CPU card Clarus	•Carte CPU Clarus	3	2 I/O Cards English Ver. 2.9 83100015-12310014
	1	31106312	•CPU card Clarus	•Carte CPU Clarus	3	2 I/O Cards English Ver. 3.1 12310015-
	1	31104591	•CPU card Clarus	•Carte CPU Clarus	3	1 I/O-Card German Ver. 2.4 -83100014
	1	31105727	•CPU card Clarus	•Carte CPU Clarus	3	1 I/O-Card German Ver. 2.9 83100015-12310014
	1	31106315	•CPU card Clarus	•Carte CPU Clarus	3	1 I/O-Card German Ver. 3.1 12310015-
	1	31104592	•CPU card Clarus	•Carte CPU Clarus	3	2 I/O Cards German Ver. 2.4 -83100014
	1	31105728	•CPU card Clarus	•Carte CPU Clarus	3	2 I/O Cards German Ver. 2.9 83100015-12310014
	1	31106316	•CPU card Clarus	•Carte CPU Clarus	3	2 I/O Cards German Ver. 3.1 12310015-
	1	31104595	•CPU card Clarus	•Carte CPU Clarus	3	1 I/O-Card Danish Ver. 2.4 -83100014
	1	31105731	•CPU card Clarus	•Carte CPU Clarus	3	1 I/O-Card Danish Ver. 2.9 83100015-12310014
	1	31106319	•CPU card Clarus	•Carte CPU Clarus	3	1 I/O-Card Danish Ver. 3.1 12310015-
	1	31104596	•CPU card Clarus	•Carte CPU Clarus	3	2 I/O Cards Danish Ver. 2.4 -83100014
	1	31105732	•CPU card Clarus	•Carte CPU Clarus	3	2 I/O Cards Danish Ver. 2.9 83100015-12310014
	1	31106320	•CPU card Clarus	•Carte CPU Clarus	3	2 I/O Cards Danish Ver. 3.1 12310015-
	1	31104599	•CPU card Clarus	•Carte CPU Clarus	3	1 I/O-Card Swedish Ver. 2.4 -83100014
	1	31105735	•CPU card Clarus	•Carte CPU Clarus	3	1 I/O-Card Swedish Ver. 2.9 83100015-12310014
	1	31106323	•CPU card Clarus	•Carte CPU Clarus	3	1 I/O-Card Swedish Ver. 3.1 12310015-
	1	31104600	•CPU card Clarus	•Carte CPU Clarus	3	2 I/O Cards Swedish Ver. 2.4 -83100014



Issue	Month	Year
01	04	07

**WSB4250H. -42300099,WSB4350H. -42300099,WSB4500H. -42300099,WSB4650H. -42300099**

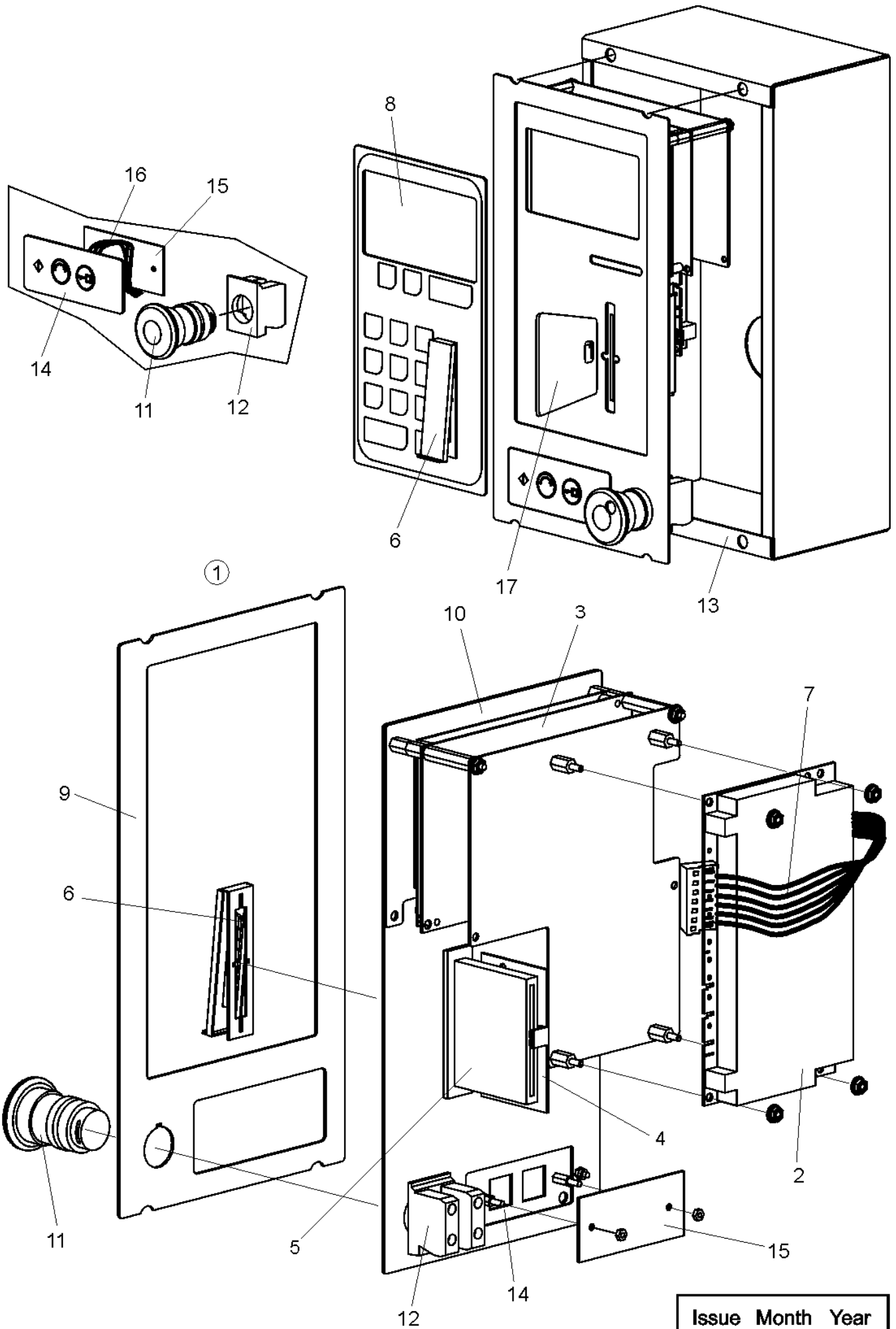
**CLARUS Electronic programmer**

Illustration Issue Month Year  
Schéma Issue Month Year

**Programmeur électronique CLARUS**

**611080/1 2 4 2007**

Item Article	Qua Qua	Art.No Réf. article	Description	Description	Info Info	Notes Remarques
	1	<b>31105736</b>	•CPU card Clarus	•Carte CPU Clarus	3	2 I/O Cards Swedish Ver. 2.9 83100015-12310014
	1	<b>31106324</b>	•CPU card Clarus	•Carte CPU Clarus	3	2 I/O Cards Swedish Ver. 3.1 12310015-
	1	<b>31104603</b>	•CPU card Clarus	•Carte CPU Clarus	3	1 I/O-Card Japanese Ver. 2.4 -83100014
	1	<b>31105739</b>	•CPU card Clarus	•Carte CPU Clarus	3	1 I/O-Card Japanese Ver. 2.9 83100015-12310014
	1	<b>31106327</b>	•CPU card Clarus	•Carte CPU Clarus	3	1 I/O-Card Japanese Ver. 3.1 12310015-
	1	<b>31104604</b>	•CPU card Clarus	•Carte CPU Clarus	3	2 I/O Cards Japanese Ver. 2.4 -83100014
	1	<b>31105740</b>	•CPU card Clarus	•Carte CPU Clarus	3	2 I/O Cards Japanese Ver. 2.9 83100015-12310014
	1	<b>31106328</b>	•CPU card Clarus	•Carte CPU Clarus	3	2 I/O Cards Japanese Ver. 3.1 12310015-
	1	<b>31104607</b>	•CPU card Clarus	•Carte CPU Clarus	3	1 I/O-Card Finnish Ver. 2.4 -83100014
	1	<b>31105743</b>	•CPU card Clarus	•Carte CPU Clarus	3	1 I/O-Card Finnish Ver. 2.9 83100015-12310014
	1	<b>31106331</b>	•CPU card Clarus	•Carte CPU Clarus	3	1 I/O-Card Finnish Ver. 3.1 12310015-
	1	<b>31104608</b>	•CPU card Clarus	•Carte CPU Clarus	3	2 I/O Cards Finnish Ver. 2.4 -83100014
	1	<b>31105744</b>	•CPU card Clarus	•Carte CPU Clarus	3	2 I/O Cards Finnish Ver. 2.9 83100015-12310014
	1	<b>31106332</b>	•CPU card Clarus	•Carte CPU Clarus	3	2 I/O Cards Finnish Ver. 3.1 12310015-
	1	<b>31104611</b>	•CPU card Clarus	•Carte CPU Clarus	3	1 I/O-Card Polish Ver. 2.4 -83100014
	1	<b>31105747</b>	•CPU card Clarus	•Carte CPU Clarus	3	1 I/O-Card Polish Ver. 2.9 83100015-12310014
	1	<b>31106335</b>	•CPU card Clarus	•Carte CPU Clarus	3	1 I/O-Card Polish Ver. 3.1 12310015-
	1	<b>31104612</b>	•CPU card Clarus	•Carte CPU Clarus	3	2 I/O Cards Polish Ver. 2.4 -83100014
	1	<b>31105748</b>	•CPU card Clarus	•Carte CPU Clarus	3	2 I/O Cards Polish Ver. 2.9 83100015-12310014
	1	<b>31106336</b>	•CPU card Clarus	•Carte CPU Clarus	3	2 I/O Cards Polish Ver. 3.1 12310015-
	1	<b>31104615</b>	•CPU card Clarus	•Carte CPU Clarus	3	1 I/O-Card Dutch Ver. 2.4 -83100014
	1	<b>31105751</b>	•CPU card Clarus	•Carte CPU Clarus	3	1 I/O-Card Dutch Ver. 2.9 83100015-12310014
	1	<b>31106339</b>	•CPU card Clarus	•Carte CPU Clarus	3	1 I/O-Card Dutch Ver. 3.1 12310015-
	1	<b>31104616</b>	•CPU card Clarus	•Carte CPU Clarus	3	2 I/O Cards Dutch Ver. 2.4 -83100014
	1	<b>31105752</b>	•CPU card Clarus	•Carte CPU Clarus	3	2 I/O Cards Dutch Ver. 2.9 83100015-12310014
	1	<b>31106340</b>	•CPU card Clarus	•Carte CPU Clarus	3	2 I/O Cards Dutch Ver. 3.1 12310015-
	1	<b>31104619</b>	•CPU card Clarus	•Carte CPU Clarus	3	1 I/O-Card Italian Ver. 2.4 -83100014
	1	<b>31105755</b>	•CPU card Clarus	•Carte CPU Clarus	3	1 I/O-Card Italian Ver. 2.9 83100015-12310014
	1	<b>31106343</b>	•CPU card Clarus	•Carte CPU Clarus	3	1 I/O-Card Italian Ver. 3.1 12310015-



Issue	Month	Year
01	04	07



**WSB4250H. -42300099,WSB4350H. -42300099,WSB4500H. -42300099,WSB4650H. -42300099**

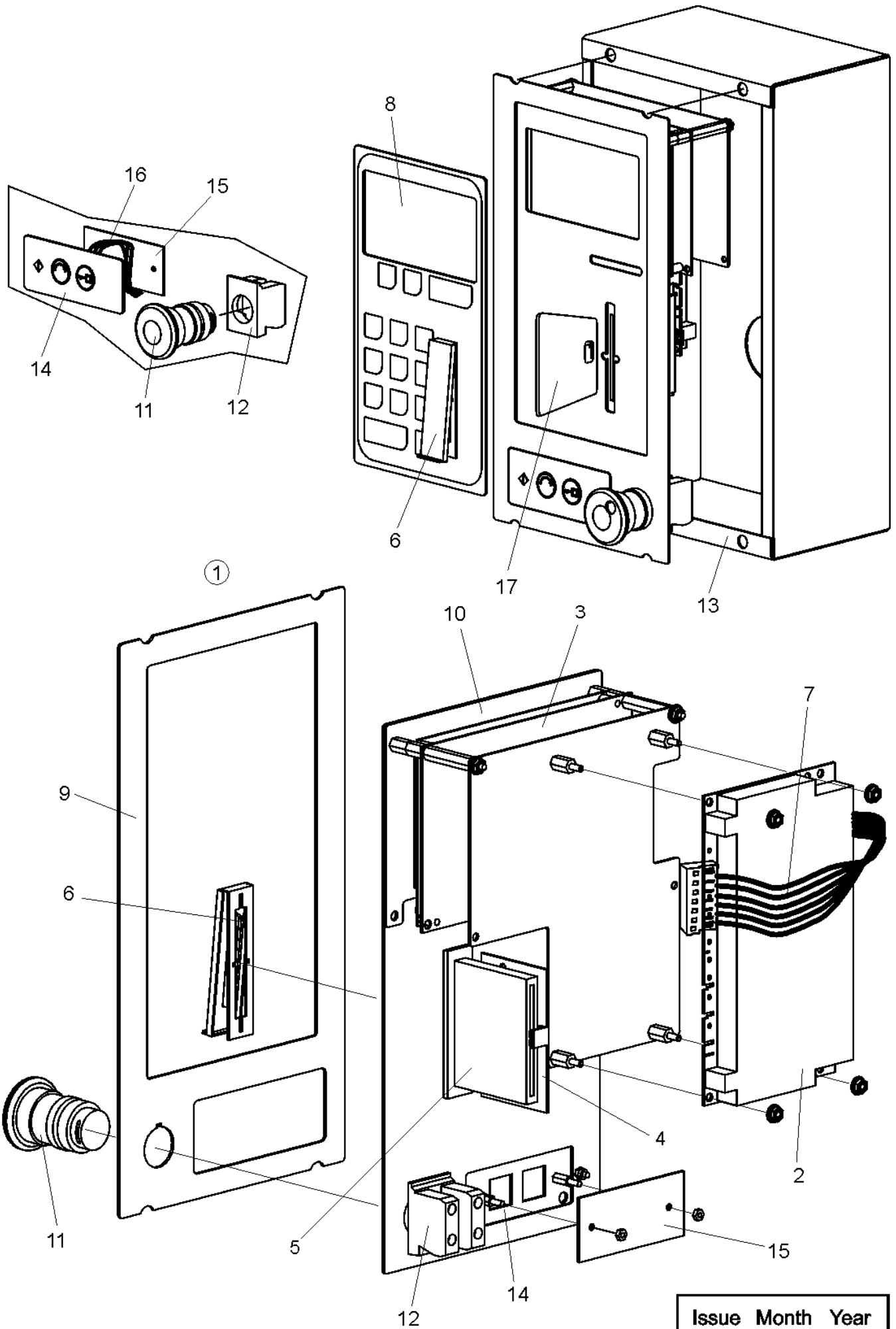
**CLARUS Electronic programmer**

Illustration Issue Month Year  
Schéma Issue Month Year

**Programmeur électronique CLARUS**

**611080/1 2 4 2007**

Item Article	Qua Qua	Art.No Réf. article	Description	Description	Info Info	Notes Remarques
	1	<b>31104620</b>	•CPU card Clarus	•Carte CPU Clarus	3	2 I/O Cards Italian Ver. 2.4 -83100014
	1	<b>31105756</b>	•CPU card Clarus	•Carte CPU Clarus	3	2 I/O Cards Italian Ver. 2.9 83100015-12310014
	1	<b>31106344</b>	•CPU card Clarus	•Carte CPU Clarus	3	2 I/O Cards Italian Ver. 3.1 12310015-
	1	<b>31104623</b>	•CPU card Clarus	•Carte CPU Clarus	3	1 I/O-Card Norwegian Ver. 2.4 -83100014
	1	<b>31105759</b>	•CPU card Clarus	•Carte CPU Clarus	3	1 I/O-Card Norwegian Ver. 2.9 83100015-12310014
	1	<b>31106347</b>	•CPU card Clarus	•Carte CPU Clarus	3	1 I/O-Card Norwegian Ver. 3.1 12310015-
	1	<b>31104624</b>	•CPU card Clarus	•Carte CPU Clarus	3	2 I/O Cards Norwegian Ver. 2.4 -83100014
	1	<b>31105760</b>	•CPU card Clarus	•Carte CPU Clarus	3	2 I/O Cards Norwegian Ver. 2.9 83100015-12310014
	1	<b>31106348</b>	•CPU card Clarus	•Carte CPU Clarus	3	2 I/O Cards Norwegian Ver. 3.1 12310015-
	1	<b>31104627</b>	•CPU card Clarus	•Carte CPU Clarus	3	1 I/O-Card Spanish Ver. 2.4 -83100014
	1	<b>31105763</b>	•CPU card Clarus	•Carte CPU Clarus	3	1 I/O-Card Spanish Ver. 2.9 83100015-12310014
	1	<b>31106351</b>	•CPU card Clarus	•Carte CPU Clarus	3	1 I/O-Card Spanish Ver. 3.1 12310015-
	1	<b>31104628</b>	•CPU card Clarus	•Carte CPU Clarus	3	2 I/O Cards Spanish Ver. 2.4 -83100014
	1	<b>31105764</b>	•CPU card Clarus	•Carte CPU Clarus	3	2 I/O Cards Spanish Ver. 2.9 83100015-12310014
	1	<b>31106352</b>	•CPU card Clarus	•Carte CPU Clarus	3	2 I/O Cards Spanish Ver. 3.1 12310015-
	1	<b>31104631</b>	•CPU card Clarus	•Carte CPU Clarus	3	1 I/O-Card Czech Ver. 2.4 -83100014
	1	<b>31105767</b>	•CPU card Clarus	•Carte CPU Clarus	3	1 I/O-Card Czech Ver. 2.9 83100015-12310014
	1	<b>31106355</b>	•CPU card Clarus	•Carte CPU Clarus	3	1 I/O-Card Czech Ver. 3.1 12310015-
	1	<b>31104632</b>	•CPU card Clarus	•Carte CPU Clarus	3	2 I/O Cards Czech Ver. 2.4 -83100014
	1	<b>31105768</b>	•CPU card Clarus	•Carte CPU Clarus	3	2 I/O Cards Czech Ver. 2.9 83100015-12310014
	1	<b>31106356</b>	•CPU card Clarus	•Carte CPU Clarus	3	2 I/O Cards Czech Ver. 3.1 12310015-
	1	<b>31105834</b>	•CPU card Clarus	•Carte CPU Clarus	3	1 I/O-Card Russian Ver. 2.9 -12310014
	1	<b>31106359</b>	•CPU card Clarus	•Carte CPU Clarus	3	1 I/O-Card Russian Ver. 3.1 12310015-
	1	<b>31105835</b>	•CPU card Clarus	•Carte CPU Clarus	3	2 I/O Cards Russian Ver. 2.9 -12310014
	1	<b>31106360</b>	•CPU card Clarus	•Carte CPU Clarus	3	2 I/O Cards Russian Ver. 3.1 12310015-
<b>3</b>	1	<b>71082555</b>	•Display card Clarus	•Carte display Clarus	3	
<b>4</b>	1	<b>71082372</b>	•Card reader for memory cards	•Lecteur carte à puce	3	
<b>5</b>	1	<b>71082378</b>	•Support	•Support	3	
<b>6</b>	1	<b>71082379</b>	•Card reader bullen nail	•Capuchon lecteur carte à puce	3	
<b>7</b>	1	<b>31100465</b>	•Cable set	•Toron	3	
<b>8</b>	1	<b>74032399</b>	•Instruction plate	•Plastron Clarus	3	
<b>9</b>	1	<b>31103437</b>	•Clarus support	•Support Clarus	3	State Product No.



Issue	Month	Year
01	04	07

**WSB4250H. -42300099,WSB4350H. -42300099,WSB4500H. -42300099,WSB4650H. -42300099**

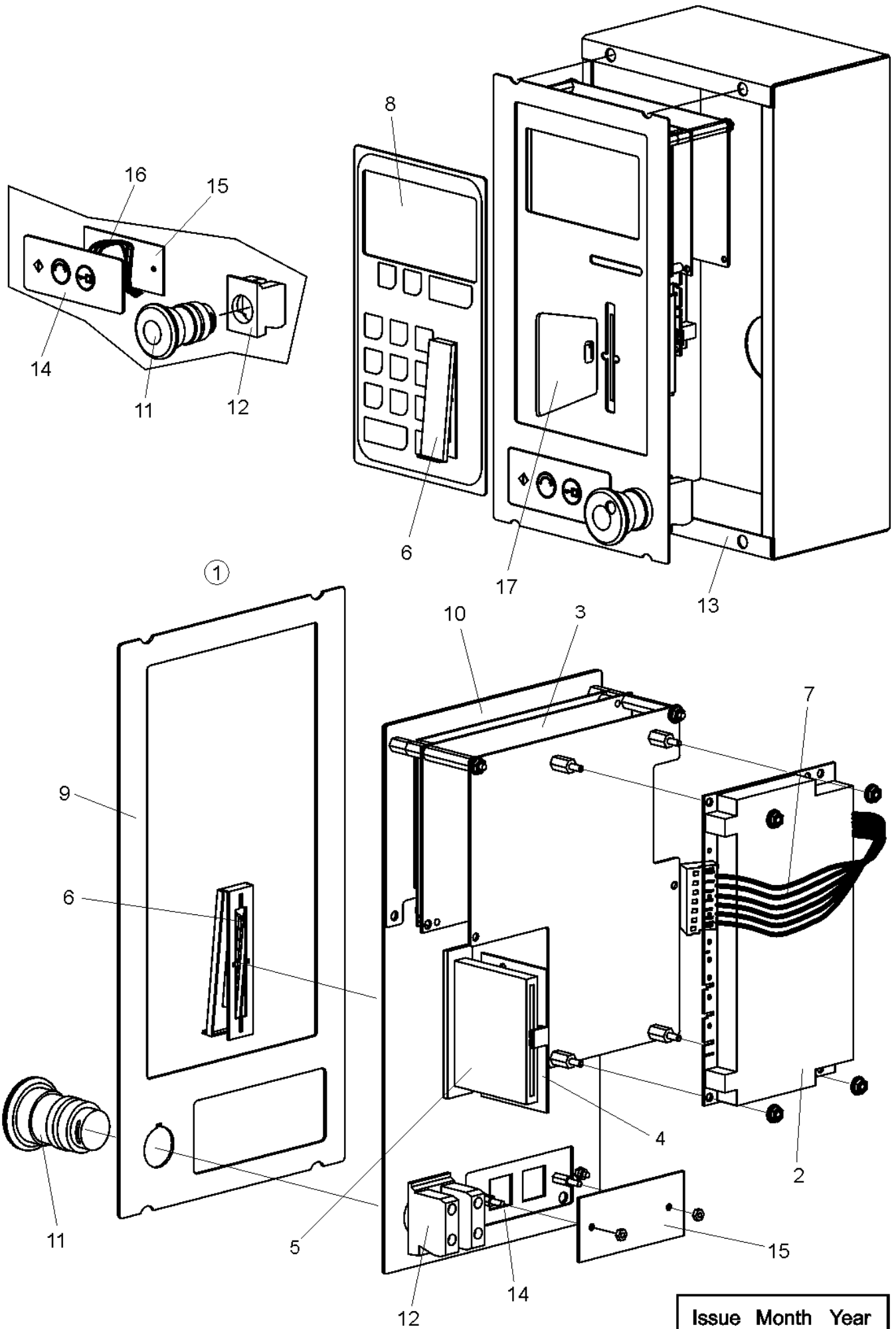
**CLARUS Electronic programmer**

Illustration Issue Month Year  
Schéma Issue Month Year

**Programmateur électronique CLARUS**

**611080/1 2 4 2007**

Item Article	Qua Qua	Art.No Réf. article	Description	Description	Info Info	Notes Remarques
	1	<b>31102427</b>	•Clarus support	•Support Clarus	3	Stainless steel -81900013
	1	<b>31105325</b>	•Clarus support	•Support Clarus	3	Stainless steel 81900014-
<b>10</b>	1	<b>31102428</b>	•Support	•Support	3	
<b>11</b>	2	<b>71054132</b>	•Stop emergency	•Arrêt urgence	1,2	Red
<b>12</b>	2	<b>71054130</b>	Contact block	Bloc contact	1,2	
<b>13</b>	1	<b>31101223</b>	Protection box	Boitier de protection	3	
<b>14</b>	2	<b>31104853</b>	Dircle circuit	Circuit Dircle	3	
<b>15</b>	1	<b>74032400</b>	•Dircle circuit	•Circuit Dircle	1,2	Lexan
<b>16</b>	1	<b>31101202</b>	Cable set	Toron	3	
<b>17</b>	1	<b>71082387</b>	Memory card	Carte à puce	1,2	



Issue	Month	Year
01	06	14

**WSB4250H. 42310001-,WSB4350H. 42310001-,WSB4500H. 42310001-,WSB4650H. 42310001-**

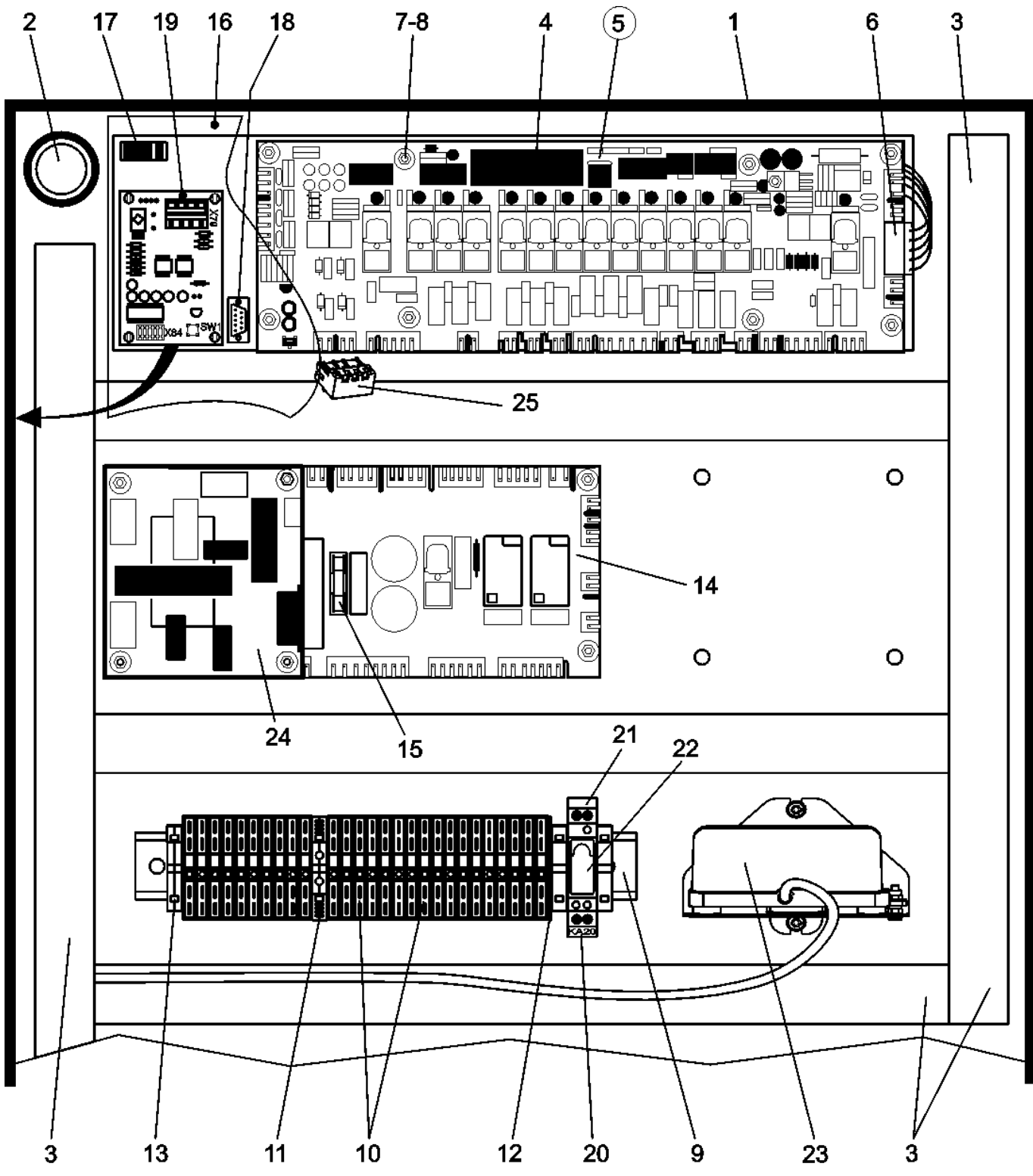
**CLARUS Electronic programmer**

Illustration Issue Month Year  
Schéma Issue Month Year

**Programmeur électronique CLARUS**

**611494/1 1 6 2014**

Item Article	Qua Qua	Art.No Réf. article	Description	Description	Info Info	Notes Remarques
1	1	55013363	CLARUS Electronic programmer	Programmeur électronique CLARUS	1,2	Complete
2	1	31108033	•CPU card Clarus	•Carte CPU Clarus	3	I/O-Card S12 French Ver. 1.3
	1	31108034	•CPU card Clarus	•Carte CPU Clarus	3	I/O-Card S12 English Ver. 1.3
	1	31108035	•CPU card Clarus	•Carte CPU Clarus	3	I/O-Card S12 German Ver. 1.3
	1	31108036	•CPU card Clarus	•Carte CPU Clarus	3	I/O-Card S12 Danish Ver. 1.3
	1	31108037	•CPU card Clarus	•Carte CPU Clarus	3	I/O-Card S12 Swedish Ver. 1.3
	1	31108038	•CPU card Clarus	•Carte CPU Clarus	3	I/O-Card S12 Japan Ver. 1.3
	1	31108039	•CPU card Clarus	•Carte CPU Clarus	3	I/O-Card S12 Finnish Ver. 1.3
	1	31108040	•CPU card Clarus	•Carte CPU Clarus	3	I/O-Card S12 Polish Ver. 1.3
	1	31108041	•CPU card Clarus	•Carte CPU Clarus	3	I/O-Card S12 Dutch Ver. 1.3
	1	31108042	•CPU card Clarus	•Carte CPU Clarus	3	I/O-Card S12 Italian Ver. 1.3
	1	31108043	•CPU card Clarus	•Carte CPU Clarus	3	I/O-Card S12 Norwegian Ver. 1.3
	1	31108044	•CPU card Clarus	•Carte CPU Clarus	3	I/O-Card S12 Spanish Ver. 1.3
	1	31108045	•CPU card Clarus	•Carte CPU Clarus	3	I/O-Card S12 Czech Ver. 1.3
	1	31108046	•CPU card Clarus	•Carte CPU Clarus	3	I/O-Card S12 Russian Ver. 1.3
3	1	71082555	•Display card Clarus	•Carte display Clarus	3	
4	1	71082372	•Card reader for memory cards	•Lecteur carte à puce	3	
5	1	71082378	•Support	•Support	3	
6	1	71082379	•Card reader bullen nail	•Capuchon lecteur carte à puce	3	
7	1	31100465	•Cable set	•Toron	3	
8	1	74032399	•Instruction plate	•Plastron Clarus	3	
9	1	31103437	•Clarus support	•Support Clarus	3	State Product No.
	1	31105325	•Clarus support	•Support Clarus	3	Stainless steel
10	1	31102428	•Support	•Support	3	
11	2	71054132	•Stop emergency	•Arrêt urgence	1,2	Red
12	2	71054130	Contact block	Bloc contact	1,2	
13	1	31101223	Protection box	Boitier de protection	3	
14	2	31104853	Dircle circuit	Circuit Dircle	3	
15	1	74032400	•Dircle circuit	•Circuit Dircle	1,2	Lexan
16	1	31101202	Cable set	Toron	3	
17	1	71082387	Memory card	Carte à puce	1,2	



Issue	Month	Year
02	10	09

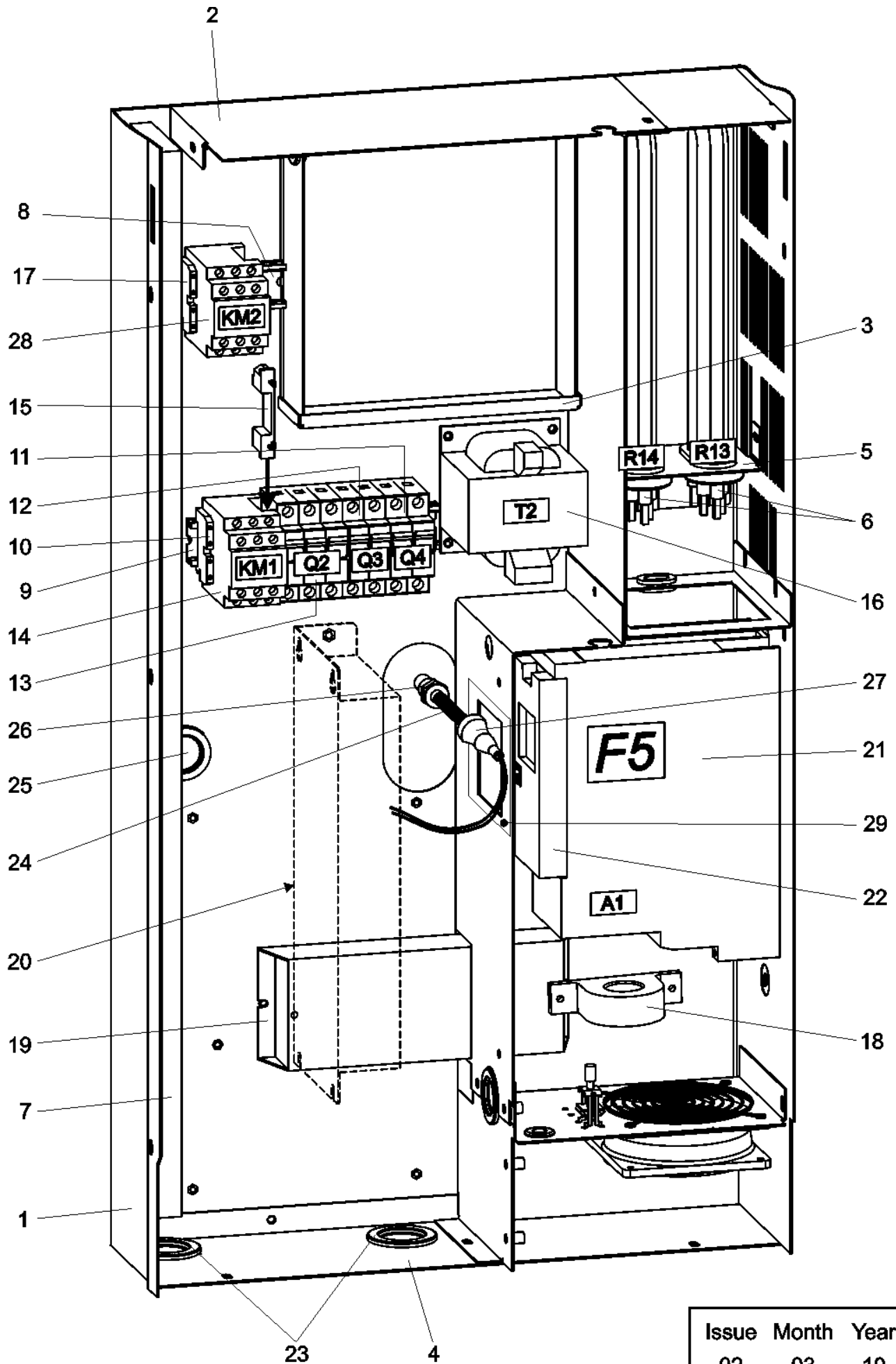
**WSB4250H.,WSB4350H.,WSB4500H.,WSB4650H.**

**Switch cabinet Upper part**

**Armoire électrique supérieure**

Illustration Issue Month Year  
Schéma Issue Month Year  
**611192/2 3 10 2009**

Item Article	Quantity Quantité	Art.No Réf. article	Description	Description	Info Info	Notes Remarques
			WSB4250H.			
			WSB4350H.			
			WSB4500H.			
			WSB4650H.			
1	1	31104391	Plate	Tôle	3	
2	7	71075019	Grommet	Passe-fil	3	Ø45
3	-	71081008	Spout	Goulotte	3	25x80 by meter
4	1	71082371	I/O card	Carte E/S	1,2	
5	1	55010958	I/O card	Carte E/S	1,2	no.2 Optional
	1	71082371	•I/O card	•Carte E/S	1,2	no.2
6	1	31101380	•Cable set	•Toron		I/O card no.2
7	13	74035006	•Spacer	•Entretoise	3	Length 35mm
8	13	74035005	•Spacer	•Entretoise	3	Length 12mm
9	1	34005603	Profile	Profilé	3	L=225
10	27	71075067	Terminal block	Borne de raccordement	3	
11	1	71075058	Ground terminal	Borne de terre	3	2.5mm <sup>2</sup>
12	1	71075068	End flange	Flasque extrémité	3	
13	2	71075037	Stop	Butée	3	
14	1	71082374	Alcopo circuit	Circuit Alcopo	1,2	
15	1	471 9004-45	•Circuit breaker	•Fusible	1,2	1.25A
16	1	71078022	Plastic film	Film plastique	3	
17	1	71054202	Switch	Interrupteur	1,2	with key -82600030
18	1	71074169	Connector	Connecteur	3	9 point -82600030
19	1	71082417	CMIS Kit	Kit CMIS	1,2	Complete
20	1	71052106	Contacteur	Relais	3	10A Clean room
21	1	71052107	Relay support	Support relais	3	Clean room
22	1	71052108	Spring retainer	Ressort de retenue	3	Clean room
23	1	55013256	Diaphragm pump kit	Kit pompe à membrane	1,2	Complete ill. 611026 64300005-
24	1	71082561	Protocol card	Carte protocol	1,2	Japan
25	1	71074156	Connector	Connecteur	3	4 point



Issue	Month	Year
02	03	10



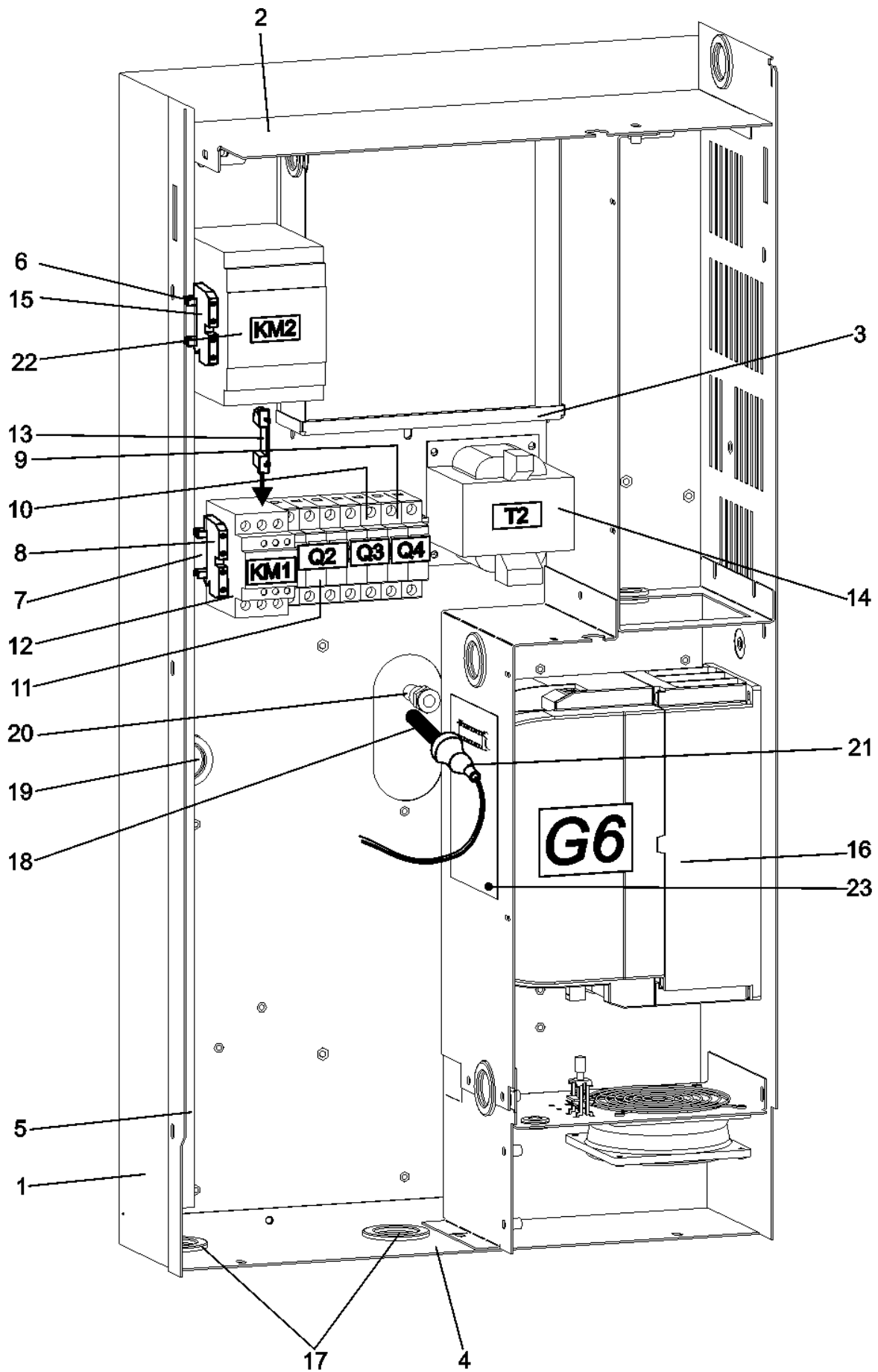
**WSB4500H. -52510015**

**Switch cabinet Lower part**

Illustration Issue Month Year  
Schéma Issue Month Year  
**611193/1 3 3 2010**

**Armoire électrique inférieure**

Item Article	Qua Qua	Art.No Réf. article	Description	Description	Info Info	Notes Remarques
1	1	31104391	Plate	Tôle	3	
2	1	31100939	Chicane	Chicane	3	
3	1	31101955	Guard	Protection	3	
4	1	31104405	Bottom	Fond	3	
5	1	31100259	Resistors support	Support résistances	3	
6	2	71070008	Heating element	Résistance chauffante	1,2	4500W, 230V
7	-	71081008	Spout	Goulotte	3	25x80 by meter
8	1	31004658	Profile	Profilé	3	L=100mm
9	1	31004659	Profile	Profilé	3	L=200
10	1	71075058	Ground terminal	Borne de terre	3	2.5mm <sup>2</sup>
11	1	71082140	Two-pole breaker	Disjoncteur bipolaire	3	2A
12	1	71082139	Two-pole breaker	Disjoncteur bipolaire	3	2A
13	1	71082637	Mains current breaker	Disjoncteur	1,2	20A
	1	71082351	Mains current breaker	Disjoncteur	1,2	40A Japan
14	1	71050126	Contacteur	Relais	1,2	18A
	1	71050068	Contacteur	Relais	1,2	40A Japan
15	1	71082305	Anti-interference block	Bloc antiparasite	1,2	-90500999
	1	71082617	Anti-interference block	Bloc antiparasite	1,2	90600001-
16	1	71021108	Transformer	Transformateur	3	200VA 400V
	1	71021137	Transformer	Transformateur	3	200VA 200V Japan
17	3	71075037	Stop	Butée	3	
18	1	71082342	Ferrite rod	Anneau ferrite	3	
19	1	71082431	Suppression filter	Filtre anti-parasite	3	5.5kW
21	1	71082423	AC speed drive	Convertisseur de fréquence	1,2	Configurated
	1	31105437	AC speed drive	Convertisseur de fréquence	1,2	Configurated Japan -81900013
	1	31106983	AC speed drive	Convertisseur de fréquence	1,2	Configurated Japan 81900014-
* 22	1	71082750	Converter operator	Opérateur convertisseur	1,2	
	1	71082428	Converter operator	Opérateur convertisseur	1,2	Japan
23	7	71075019	Grommet	Passe-fil	3	Ø45
24	1	71030051	Sensor	Sonde	1,2	NTC
25	4	71075018	Grommet	Passe-fil	3	Ø37mm
26	1	31102860	Contact finger	Doigt de gant	3	
27	1	71077050	Insulating cover	Gaine isolante	3	
28	1	71050068	Contacteur	Relais	1,2	40A Electric heating
29	1	31105849	Plastic film	Film plastique	3	



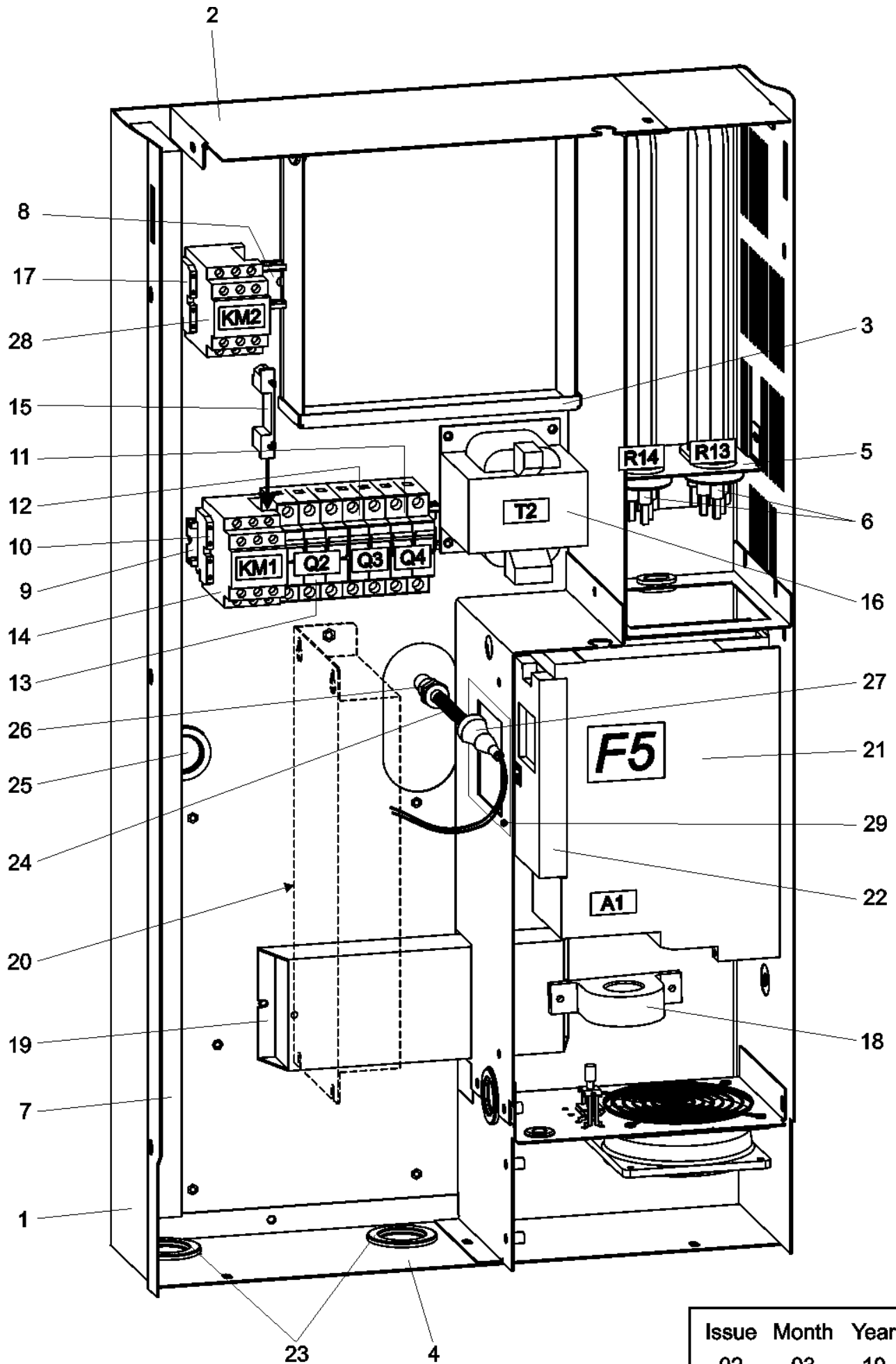
**WSB4500H. 52510016-**

**Switch cabinet Lower part**

**Armoire électrique inférieure**

Illustration Issue Month Year  
Schéma Issue Month Year  
**611509 1 6 2015**

Item Article	Qua Qua	Art.No Réf. article	Description	Description	Info Info	Notes Remarques
1	1	31104391	Plate	Tôle	3	
2	1	31100939	Chicane	Chicane	3	
3	1	31101955	Guard	Protection	3	
4	1	31104405	Bottom	Fond	3	
5	-	71081008	Spout	Goulotte	3	25x80 by meter
6	1	31004658	Profile	Profilé	3	L=100mm
7	1	31004659	Profile	Profilé	3	L=200
8	1	71075058	Ground terminal	Borne de terre	3	2.5mm <sup>2</sup>
9	1	71082140	Two-pole breaker	Disjoncteur bipolaire	3	2A
10	1	71082139	Two-pole breaker	Disjoncteur bipolaire	3	2A
11	1	71082637	Mains current breaker	Disjoncteur	1,2	20A
	1	71082351	Mains current breaker	Disjoncteur	1,2	40A Japan
12	1	71050126	Contactactor	Relais	1,2	18A
	1	71050068	Contactactor	Relais	1,2	40A Japan
13	1	71082617	Anti-interference block	Bloc antiparasite	1,2	
14	1	71021108	Transformer	Transformateur	3	200VA 400V
	1	71021137	Transformer	Transformateur	3	200VA 200V Japan
15	3	71075037	Stop	Butée	3	
16	1	71082665	AC speed drive	Convertisseur de fréquence	3	Configurated
17	7	71075019	Grommet	Passe-fil	3	Ø45
18	1	71030051	Sensor	Sonde	1,2	NTC
19	4	71075018	Grommet	Passe-fil	3	Ø37mm
20	1	31102860	Contact finger	Doigt de gant	3	
21	1	71077050	Insulating cover	Gaine isolante	3	
22	1	71050068	Contactactor	Relais	1,2	40A Electric heating
23	1	31105849	Plastic film	Film plastique	3	



Issue	Month	Year
02	03	10

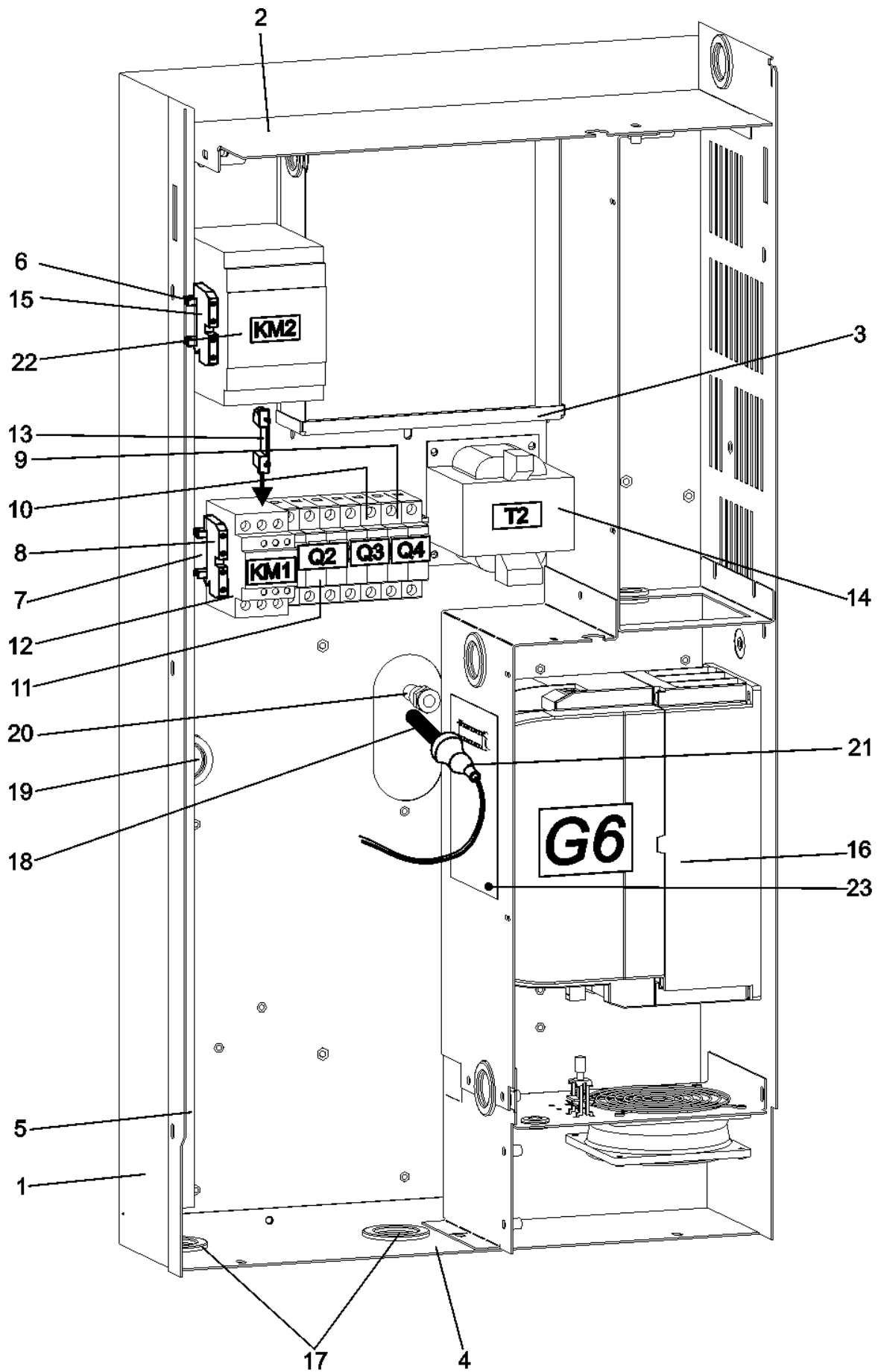
**WSB4250H. -01410007, +13010026, WSB4350H. -01310006, WSB4650H. -52510015**

**Switch cabinet Lower part**

Illustration Issue Month Year  
Schéma Issue Month Year  
**611193/1 3 3 2010**

**Armoire électrique inférieure**

Item Article	Quantity Quantité	Art.No Réf. article	Description	Description	Info Info	Notes Remarques
			WSB4250H.			
			WSB4350H.			
			WSB4650H.			
1	1	1	31104391	Plate	3	
2	1	1	31100939	Chicane	3	
3	1	1	31101955	Guard	3	
4	1	1	31104405	Bottom	3	
5	1	1	31100259	Resistors support	3	
6	1	1	71070008	Heating element	1,2	4500W, 230V
7	-	-	71081008	Spout	3	25x80 by meter
8	1	1	31004658	Profile	3	L=100mm
9	1	1	31004659	Profile	3	L=200
10	1	1	71075058	Ground terminal	3	2.5mm <sup>2</sup>
11	1	1	71082140	Two-pole breaker	3	2A
12	1	1	71082139	Two-pole breaker	3	2A
13	1	1	71082636	Mains current breaker	1,2	16A
			71082638	Mains current breaker	1,2	25A
	1		71082162	Mains current breaker	1,2	25A Japan
	1		71082351	Mains current breaker	1,2	40A Japan
14	1	1	71050126	Contacteur	1,2	18A
		1	71050067	Contacteur	1,2	25A-230V
	1		71050067	Contacteur	1,2	25A-230V Japan
		1	71050068	Contacteur	1,2	40A Japan
15	1	1	71082305	Anti-interference block	1,2	-90500999
	1	1	71082617	Anti-interference block	1,2	90600001-
16	1	1	71021108	Transformer	3	200VA 400V
	1	1	71021137	Transformer	3	200VA 200V Japan
17	3	3	71075037	Stop	3	
18	1	1	71082342	Ferrite rod	3	
19	1	1	71082430	Suppression filter	3	4kW
20		1	71082432	Suppression filter	3	7.5kW
21	1		71082421	AC speed drive	1,2	Configurated
		1	71082422	AC speed drive	1,2	Configurated
		1	31102868	AC speed drive	1,2	Configurated Japan
		1	71082424	AC speed drive	1,2	Configurated
* 22	1	1	71082560	Converter operator	1,2	
	1	1	71082428	Converter operator	1,2	Japan
23	7	7	71075019	Grommet	3	Ø45
24	1	1	71030051	Sensor	1,2	NTC
25	4	4	71075018	Grommet	3	Ø37mm
26	1	1	31102860	Contact finger	3	
27	1	1	71077050	Insulating cover	3	
28	1		71050126	Contacteur	1,2	18A Electric heating
		1	71050164	Contacteur	1,2	32A Electric heating
		1	71050010	Contacteur	1,2	80A Electric heating
29	1	1	31105849	Plastic film	3	



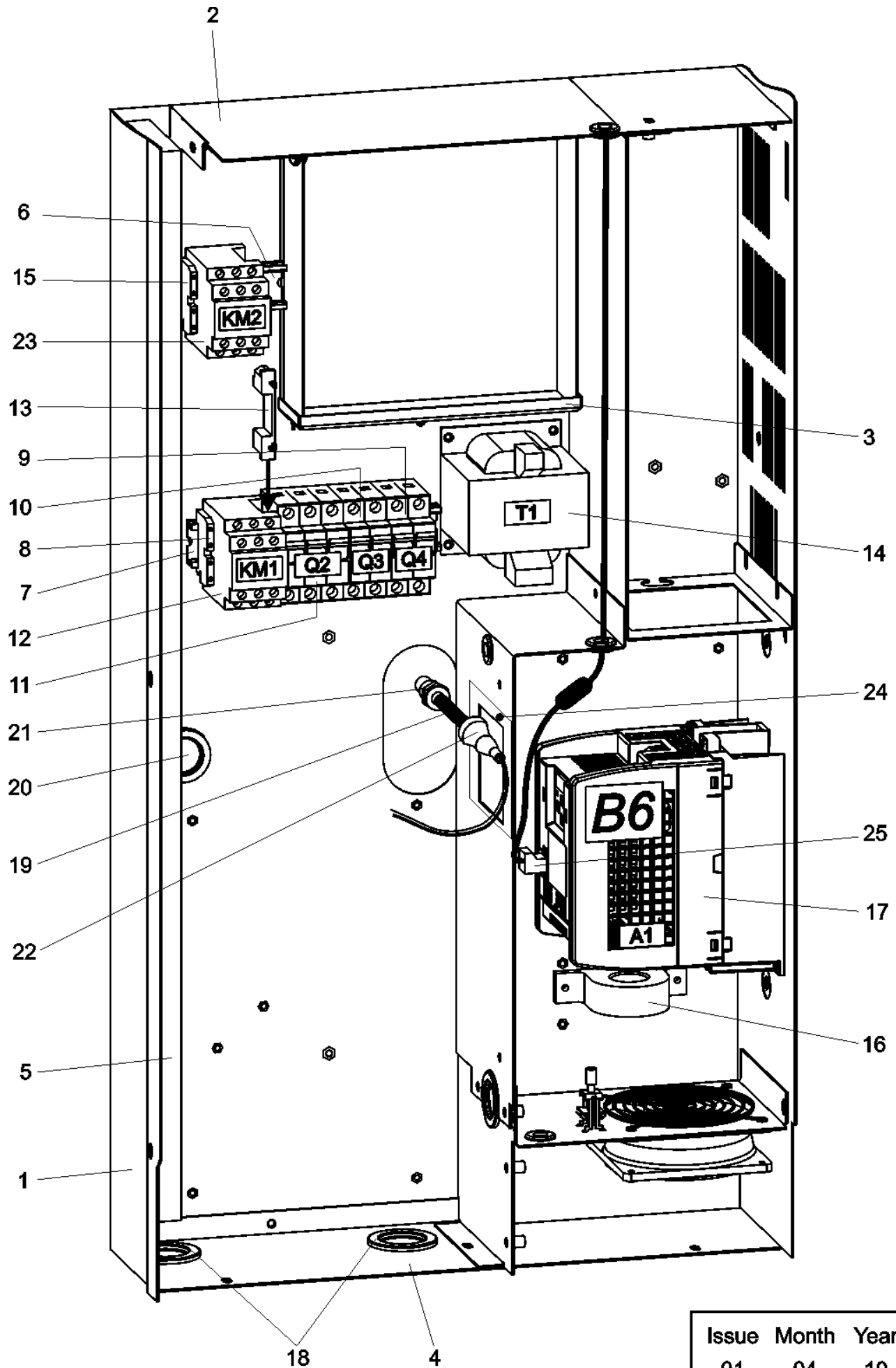
**WSB4650H. 52510016-**

**Switch cabinet Lower part**

**Armoire électrique inférieure**

Illustration	Issue	Month	Year
Schéma	Issue	Month	Year
<b>611509</b>	<b>1</b>	<b>6</b>	<b>2015</b>

Item Article	Qua Qua	Art.No Réf. article	Description	Description	Info Info	Notes Remarques
1	1	31104391	Plate	Tôle	3	
2	1	31100939	Chicane	Chicane	3	
3	1	31101955	Guard	Protection	3	
4	1	31104405	Bottom	Fond	3	
5	-	71081008	Spout	Goulotte	3	25x80 by meter
6	1	31004658	Profile	Profilé	3	L=100mm
7	1	31004659	Profile	Profilé	3	L=200
8	1	71075058	Ground terminal	Borne de terre	3	2.5mm <sup>2</sup>
9	1	71082140	Two-pole breaker	Disjoncteur bipolaire	3	2A
10	1	71082139	Two-pole breaker	Disjoncteur bipolaire	3	2A
11	1	71082638	Mains current breaker	Disjoncteur	1,2	25A
12	1	71050067	Contacteur	Relais	1,2	25A-230V
13	1	71082617	Anti-interference block	Bloc antiparasite	1,2	
14	1	71021108	Transformer	Transformateur	3	200VA 400V
	1	71021137	Transformer	Transformateur	3	200VA 200V Japan
15	3	71075037	Stop	Butée	3	
16	1	71082666	AC speed drive	Convertisseur de fréquence	3	Configurated
17	7	71075019	Grommet	Passe-fil	3	Ø45
18	1	71030051	Sensor	Sonde	1,2	NTC
19	4	71075018	Grommet	Passe-fil	3	Ø37mm
20	1	31102860	Contact finger	Doigt de gant	3	
21	1	71077050	Insulating cover	Gaine isolante	3	
22	1	71050010	Contacteur	Relais	1,2	80A Electric heating
23	1	31105849	Plastic film	Film plastique	3	



Issue	Month	Year
01	04	10



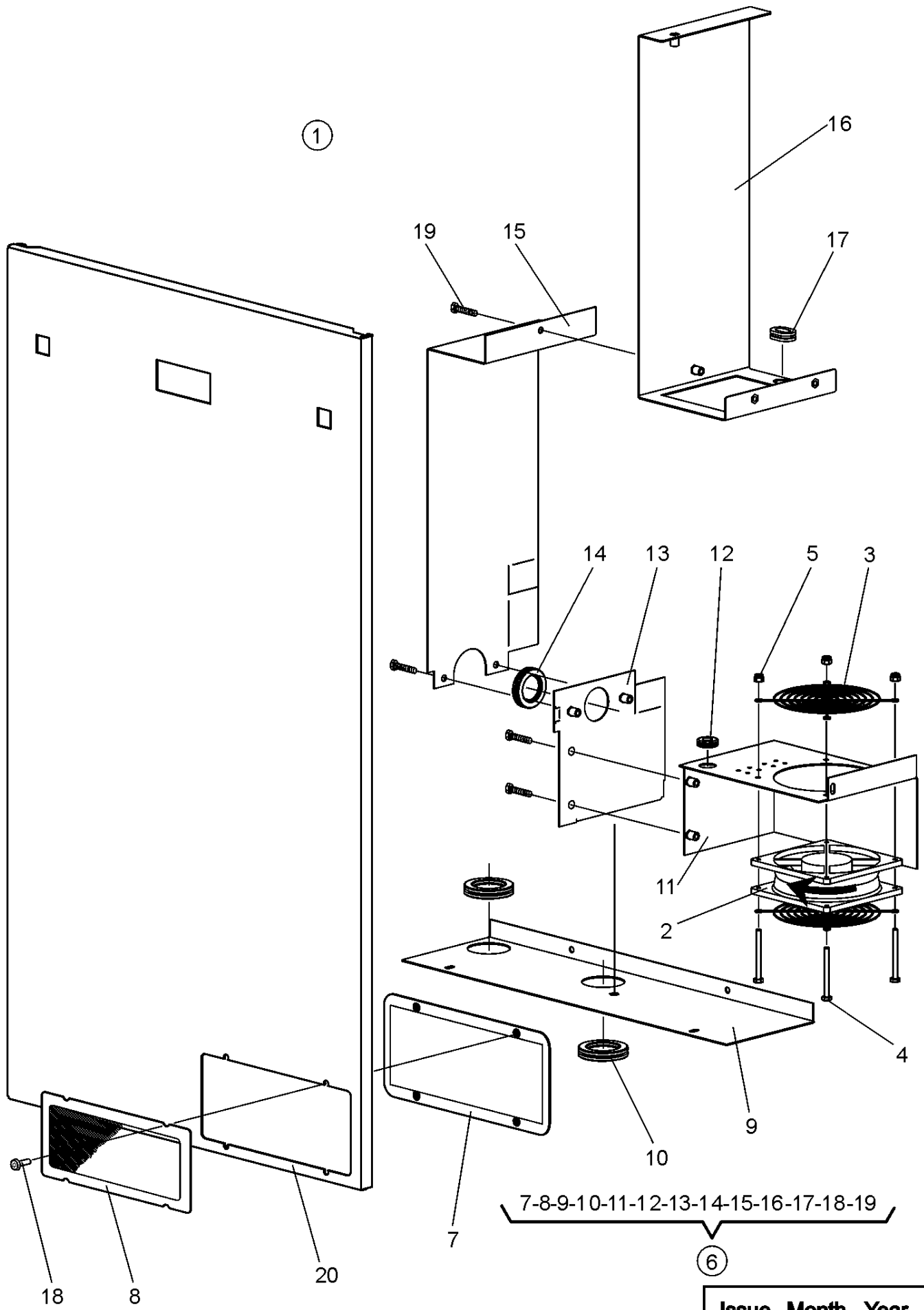
**WSB4250H. 01410008-13010025, 13010027-,WSB4350H. 01310007-**

**Switch cabinet Lower part**

Illustration Issue Month Year  
Schéma Issue Month Year  
**611261/1 1 4 2010**

**Armoire électrique inférieure**

Item Article	Quantity Quantité	Art.No Réf. article	Description	Description	Info Info	Notes Remarques
			WSB4250H.			
			WSB4350H.			
1	1	31104391	Plate	Tôle	3	
2	1	31100939	Chicane	Chicane	3	
3	1	31101955	Guard	Protection	3	
4	1	31104405	Bottom	Fond	3	
5	-	71081008	Spout	Goulotte	3	25x80 by meter
6	1	31004658	Profile	Profilé	3	L=100mm
7	1	31004659	Profile	Profilé	3	L=200
8	1	71075058	Ground terminal	Borne de terre	3	2.5mm <sup>2</sup>
9	1	71082140	Two-pole breaker	Disjoncteur bipolaire	3	2A
10	1	71082139	Two-pole breaker	Disjoncteur bipolaire	3	2A
11	1	71082636	Mains current breaker	Disjoncteur	1,2	16A
12	1	71050126	Contacteur	Relais	1,2	18A
13	1	71082617	Anti-interference block	Bloc antiparasite	1,2	
14	1	71021108	Transformer	Transformateur	3	200VA 400V
15	3	71075037	Stop	Butée	3	
16	1	71082342	Ferrite rod	Anneau ferrite	3	
17	1	31105847	AC speed drive	Convertisseur de fréquence	1,2	Configurated
		31105848	AC speed drive	Convertisseur de fréquence	1,2	Configurated
		31106982	AC speed drive	Convertisseur de fréquence	1,2	Configurated Japan
18	7	71075019	Grommet	Passe-fil	3	Ø45
19	1	71030051	Sensor	Sonde	1,2	NTC
20	4	71075018	Grommet	Passe-fil	3	Ø37mm
21	1	31102860	Contact finger	Doigt de gant	3	
22	1	71077050	Insulating cover	Gaine isolante	3	
23	1	71050126	Contacteur	Relais	1,2	18A Electric heating
		71050164	Contacteur	Relais	1,2	32A Electric heating
24	1	31105849	Plastic film	Film plastique	3	
25	1	71082616	Linking cable	Câble de liaison	3	



Issue	Month	Year
02	04	07

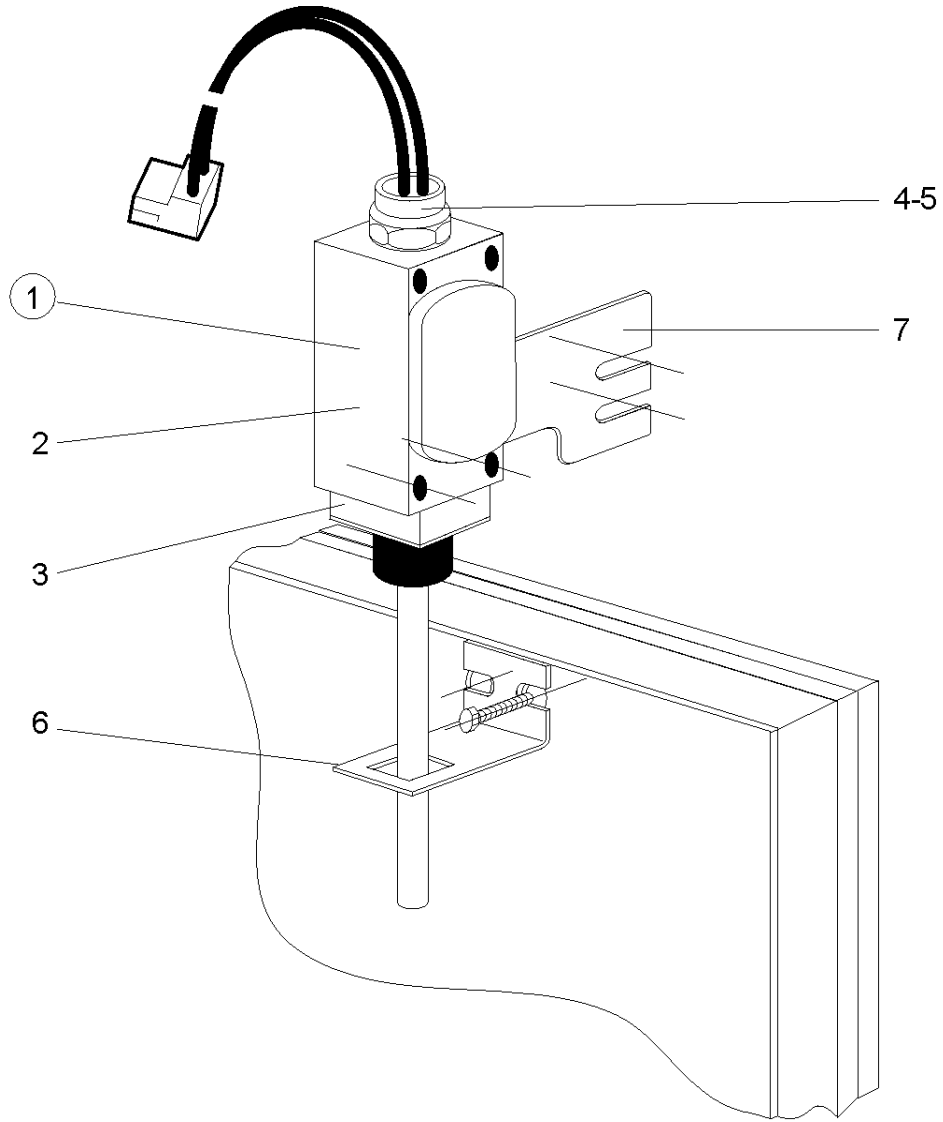
**WSB4250H.,WSB4350H.,WSB4500H.,WSB4650H.**

**Ventilation kit**

Illustration Issue Month Year  
Schéma Issue Month Year  
**611018/2 2 4 2007**

**Kit ventilation**

Item Article	Qua Qua	Art.No Réf. article	Description	Description	Info Info	Notes Remarques
1	1	55013650	Ventilation kit	Kit ventilation	1,2	Complete
2	1	71020075	•Cooler fan	•Ventilateur	1,2	
3	2	71020076	•Protective grid	•Grille de protection	1,2	
4	4	74020271	•Screw	•Vis	1,2	M4x60
5	4	74011007	•Cage nut	•Ecrou	1,2	M4
6	1	55013649	•Ventilation kit	•Kit ventilation	1,2	Without fan
7	1	31104406	••Filter support	••Support filtre	1,2	
8	1	31104412	••Metal filter	••Filtre métallique	1,2	
9	1	31104405	••Bottom	••Fond	1,2	
10	2	71075019	••Grommet	••Passe-fil	1,2	Ø45
11	1	31104404	••Fan support	••Support ventilateur	1,2	
12	1	71075066	••Grommet	••Passe-fil	1,2	
13	1	31104476	••Deflector	••Déflecteur	1,2	
14	1	71075018	••Grommet	••Passe-fil	1,2	Ø37mm
15	1	31104475	••Deflector	••Déflecteur	1,2	Vertical
16	1	31104402	••Deflector	••Déflecteur	1,2	
17	1	71075017	••Grommet	••Passe-fil	1,2	
18	4	74033101	••Screw	••Vis	1,2	M6x16
19	1	74033001010	••Screw	••Vis	1,2	M6x12 20 units
20	1	31104414	Side frame	Carter latéral	3	State Product No.
	1	31104726	Side frame	Carter latéral	3	Stainless steel



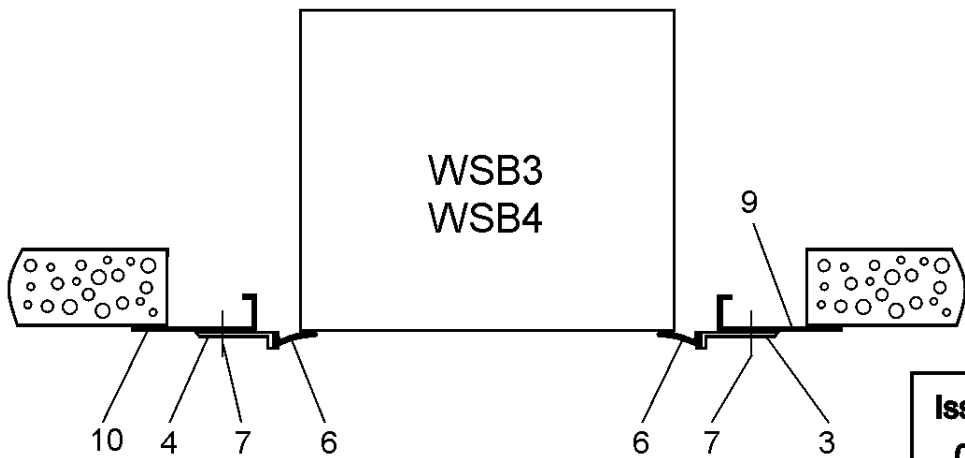
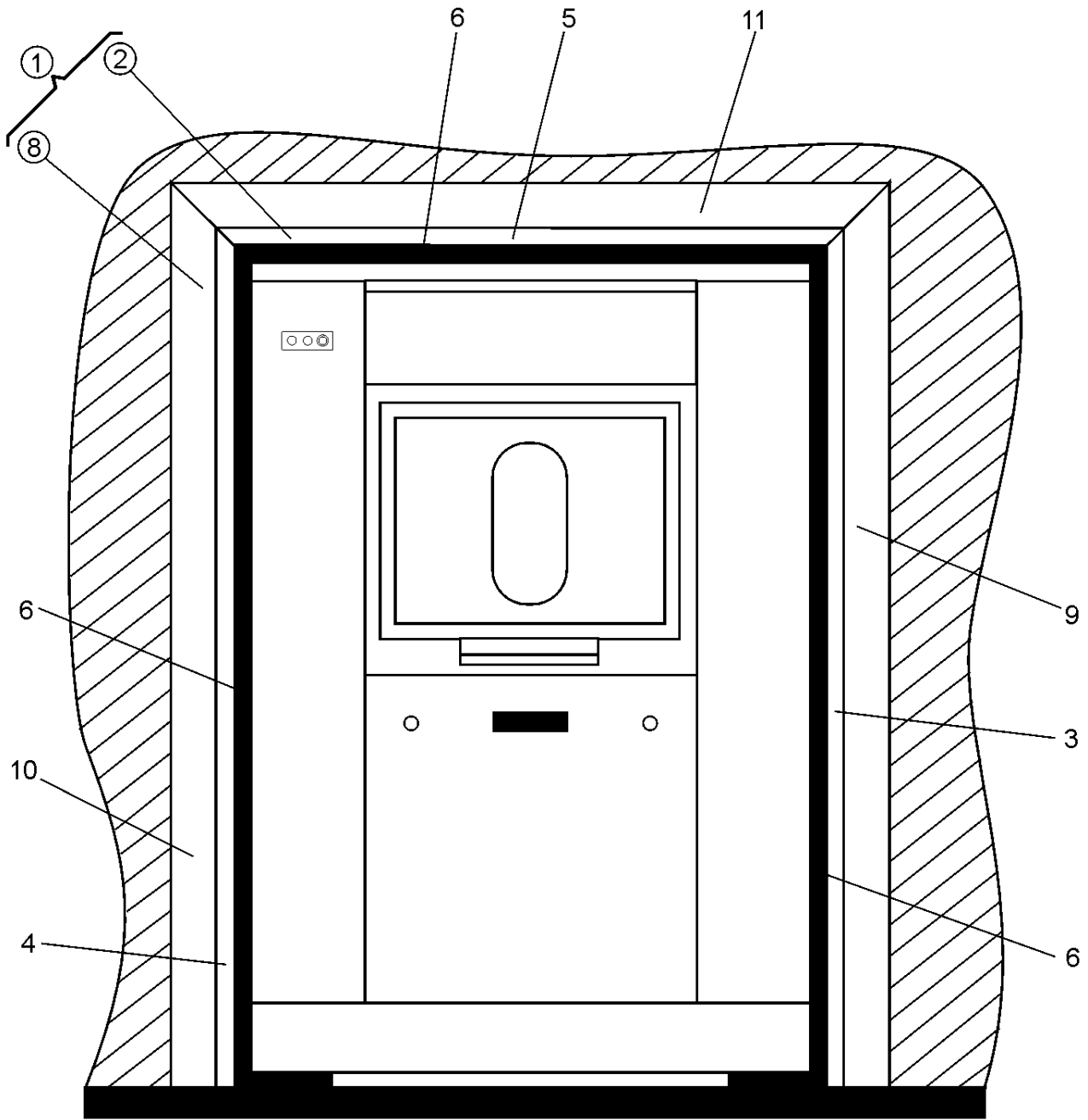
**WSB4250H.,WSB4350H.,WSB4500H.,WSB4650H.**

**Out of balance switch**

Illustration	Issue	Month	Year
Schéma	Issue	Month	Year
<b>611070/1</b>	<b>1</b>	<b>4</b>	<b>2007</b>

**Sécurité balourd**

Item Article	Quantity Quantité	Art.No Réf. article	Description	Description	Info Info	Notes Remarques
			WSB4250H.			
			WSB4350H.			
			WSB4500H.			
			WSB4650H.			
1	1	<b>31101403</b>	Out of balance switch	Sécurité balourd	3	
	1	<b>31101404</b>	Out of balance switch	Sécurité balourd	3	
	1	<b>31101405</b>	Out of balance switch	Sécurité balourd	3	
2	1	<b>71054060</b>	•Switch	•Interrupteur	3	Body
3	1	<b>71054115</b>	•Switch	•Interrupteur	3	Head
4	1	<b>71079045</b>	•Cable fitting	•Presse étoupe	3	Ø9
5	1	<b>71079049</b>	•Reduction	•Réduction	3	Ø13/9
6	1	<b>31100163</b>	Corner element	Equerre	3	
7	1	<b>31101560</b>	Corner element	Equerre	3	



Issue	Month	Year
02	03	07

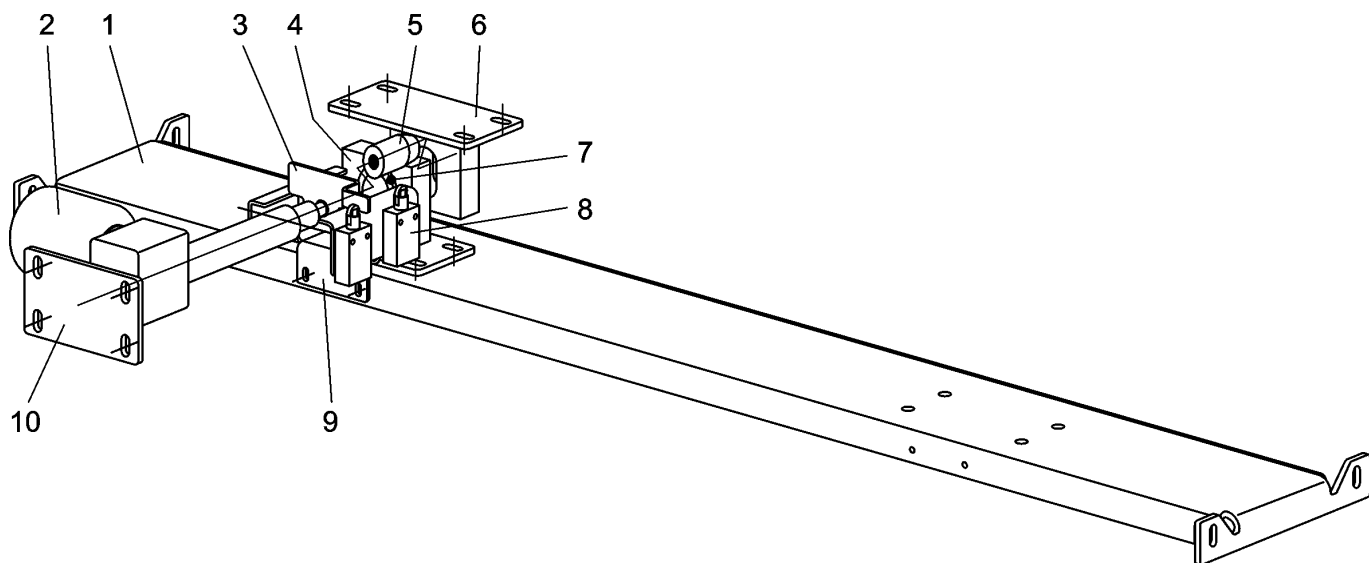
**WSB4250H.,WSB4350H.,WSB4500H.,WSB4650H.**

**Aseptis kit**

Illustration Issue Month Year  
Schéma Issue Month Year  
**610844/2 2 3 2007**

**Kit asepsie**

Item Article	Quantity Quantité	Art.No Réf. article	Description	Description	Info Info	Notes Remarques
			WSB4250H.			
			WSB4350H.			
			WSB4500H.			
			WSB4650H.			
1	1	55010181	Aseptis kit	Kit asepsie	3	Complete
	1	55010182	Aseptis kit	Kit asepsie	3	Complete
	1	55010183	Aseptis kit	Kit asepsie	3	Complete
	1	55010184	Aseptis kit	Kit asepsie	3	Complete
2	1	55012925	•Aseptis kit	•Kit asepsie	3	
	1	55012926	•Aseptis kit	•Kit asepsie	3	
	1	55012927	•Aseptis kit	•Kit asepsie	3	
	1	55012928	•Aseptis kit	•Kit asepsie	3	
3	1		•Aluminium profile	••Profil Aluminium	3	Right
4	1		•Aluminium profile	••Profil Aluminium	3	Left
5	1		•Aluminium profile	••Profil Aluminium	3	Horizontal
	1		•Aluminium profile	••Profil Aluminium	3	Horizontal
	1		•Aluminium profile	••Profil Aluminium	3	Horizontal
	1		•Aluminium profile	••Profil Aluminium	3	Horizontal
6	7m		•Rubber strip	••Joint caoutchouc	3	
7	19		•Screw	••Vis	3	M4x8
8	1	55012504	•Frame kit	•Kit cadre	3	Complete
	1	55012505	•Frame kit	•Kit cadre	3	Complete
	1	55012506	•Frame kit	•Kit cadre	3	Complete
	1	55012507	•Frame kit	•Kit cadre	3	Complete
9	1		•Plate	••Tôle	3	Right
10	1		•Plate	••Tôle	3	Left
11	1		•Plate	••Tôle	3	Horizontal
	1		•Plate	••Tôle	3	Horizontal
	1		•Plate	••Tôle	3	Horizontal
	1		•Plate	••Tôle	3	Horizontal



610640

Issue	Month	Year
01	04	00



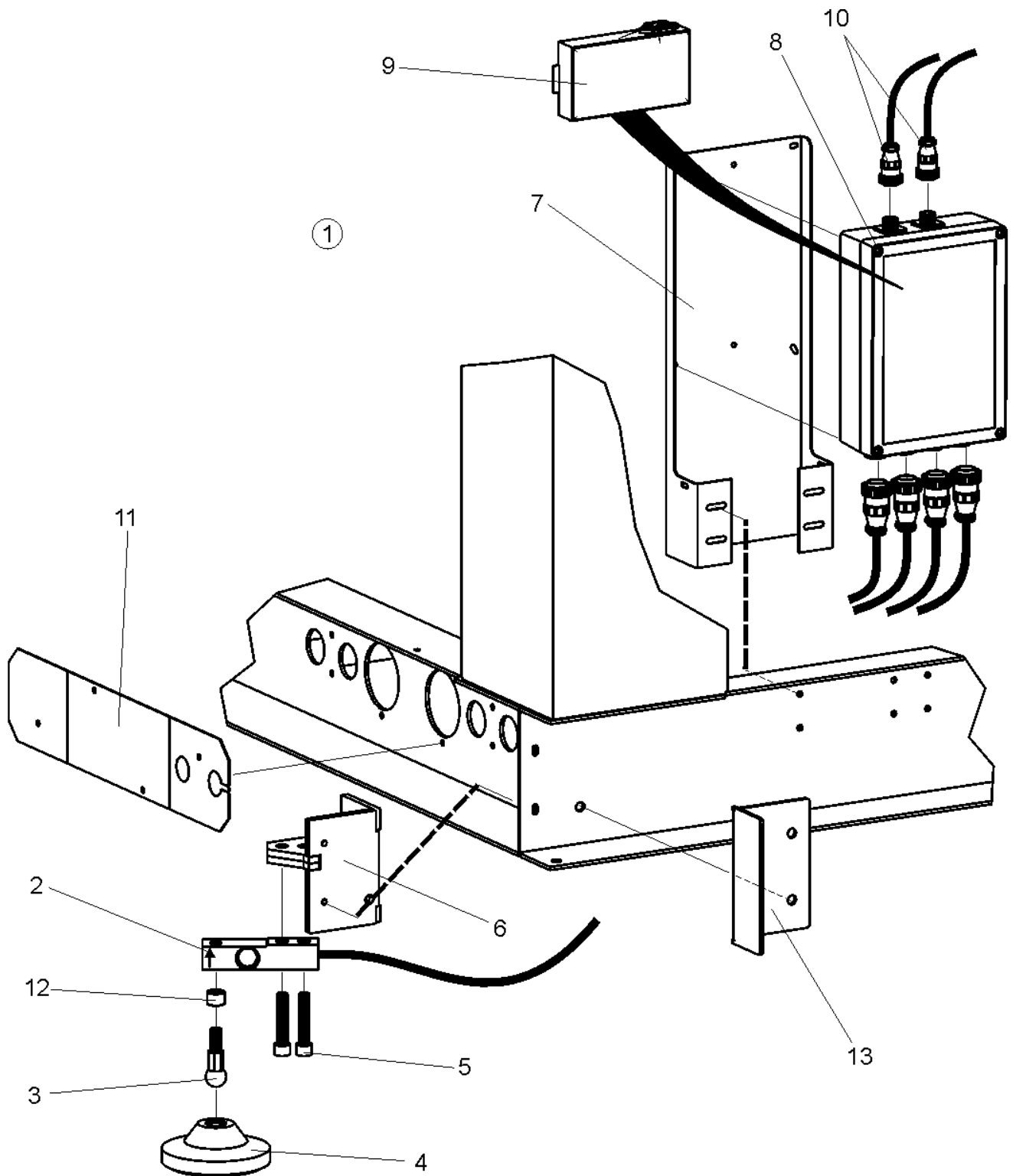
**WSB4250H.,WSB4350H.,WSB4500H.,WSB4650H.**

**Outer drum locking device**

Illustration Issue Month Year  
Schéma Issue Month Year  
**610640/1 1 1 2000**

**Système blocage cuve**

Item Article	Quantity Quantité	Art.No Réf. article	Description	Description	Info Info	Notes Remarques
			WSB4250H.			
			WSB4350H.			
			WSB4500H.			
			WSB4650H.			
<b>1</b>	1		Beam	Traverse	3	
	1		Beam	Traverse	3	
	1	<b>31101629</b>	Beam	Traverse	3	
	1		Beam	Traverse	3	
<b>2</b>	1	<b>72020138</b>	Electric jack	Vérin électrique	3	
<b>3</b>	1	<b>31101632</b>	Guide	Guide	3	
<b>4</b>	1	<b>31101627</b>	Guider plate	Platine de guidage	3	
<b>5</b>	1	<b>31101628</b>	Blocking finger	Doigt de blocage	3	
<b>6</b>	1	<b>31101626</b>	Plate guide	Platine de blocage	3	
<b>7</b>	1	<b>73012003</b>	Self lubrication ring	Bague autolubrifiante	3	
<b>8</b>	2	<b>71054057</b>	Switch	Interrupteur	3	
<b>9</b>	1	<b>31101633</b>	Support	Support	3	
<b>10</b>	1	<b>31101630</b>	Jack fork	Chape de vérin	3	



Issue	Month	Year
03	05	10

**WSB4250H. -11610021,WSB4350H. -11610021,WSB4500H. -11610021,WSB4650H. -81300010**

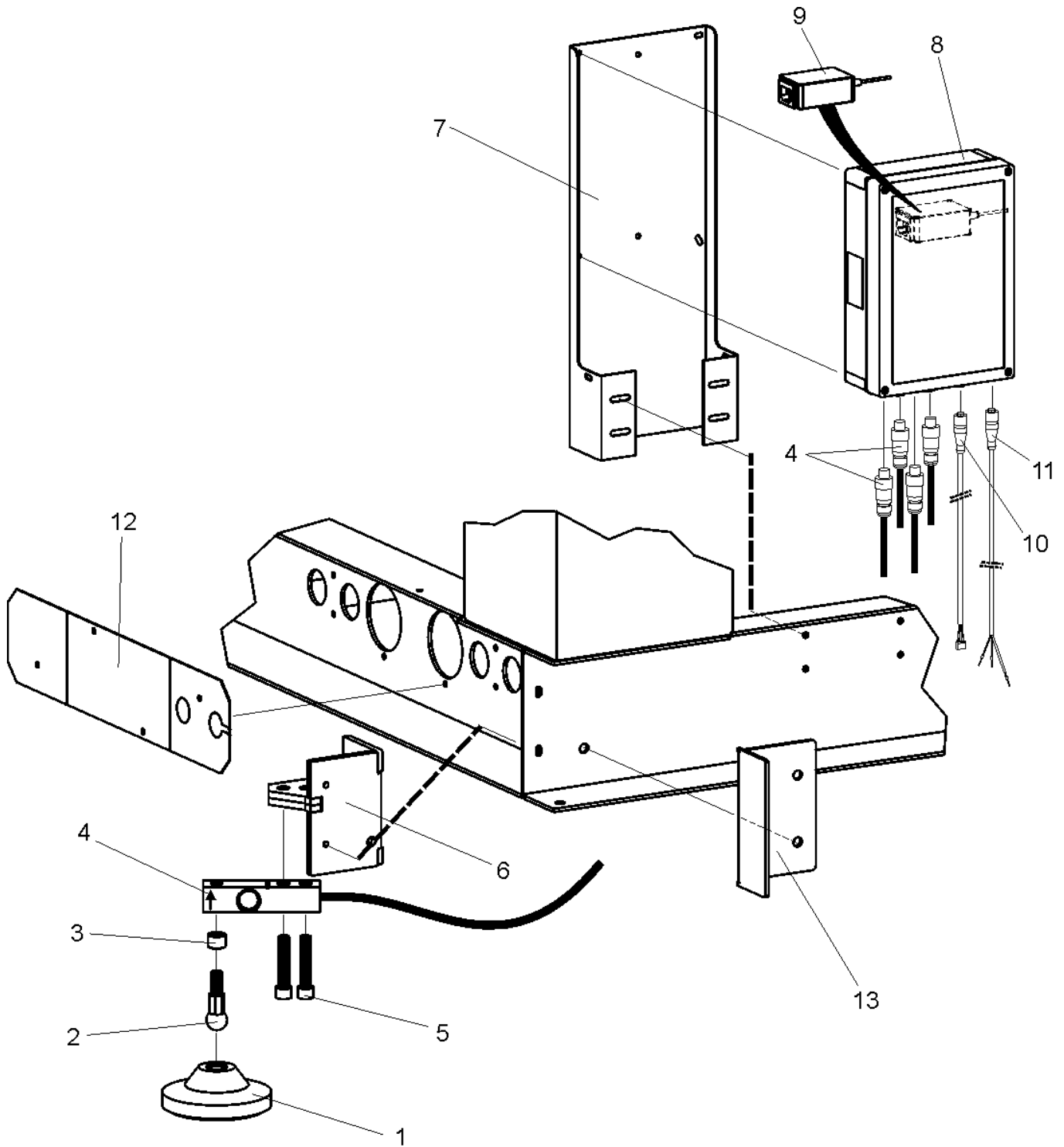
**Automatic weighing system**

Illustration Issue Month Year  
Schéma Issue Month Year

**Système de pesage automatique**

**610658/1 4 5 2010**

Item Article	Qua Qua	Art.No Réf. article	Description	Description	Info Info	Notes Remarques
1	1	56000022	Weighing set kit	Kit de pesée	3	State Product No.
	1	56000023	Weighing set kit	Kit de pesée	3	Stainless steel
2	4	71082489	•Load cell	•Capteur de poids	3	
3	4	31101676	•Extension element	•Rallonge	3	
4	4	74030139	•Rubber feet / Loads cells	•Pieds / Capteurs de poids	3	
5	8	74020257	•Screw	•Vis	3	M12x60
6	2	31101675	•Sensor support	•Support capteur	3	Right
	2	31101951	•Sensor support	•Support capteur	3	Left
7	1	31101671	•Support for scale unit	•Support boîtier de mesure	3	
8	1	71082383	•Scale unit	•Boîtier de mesure	3	
9	1	71082613	••Power unit	••Boîtier alimentation	3	
10	1	31101789	•Cable set	•Toron	3	
11	1	31101555	•Protective plug	•Obturateur de protection	3	
12	4	31103434	•Spacer	•Entretoise	1,2	With 71082489
13	2	31101804	Sole cap	Embout semelle	3	State Product No.
	2	31101805	Sole cap	Embout semelle	3	Stainless steel



Issue	Month	Year
01	05	11

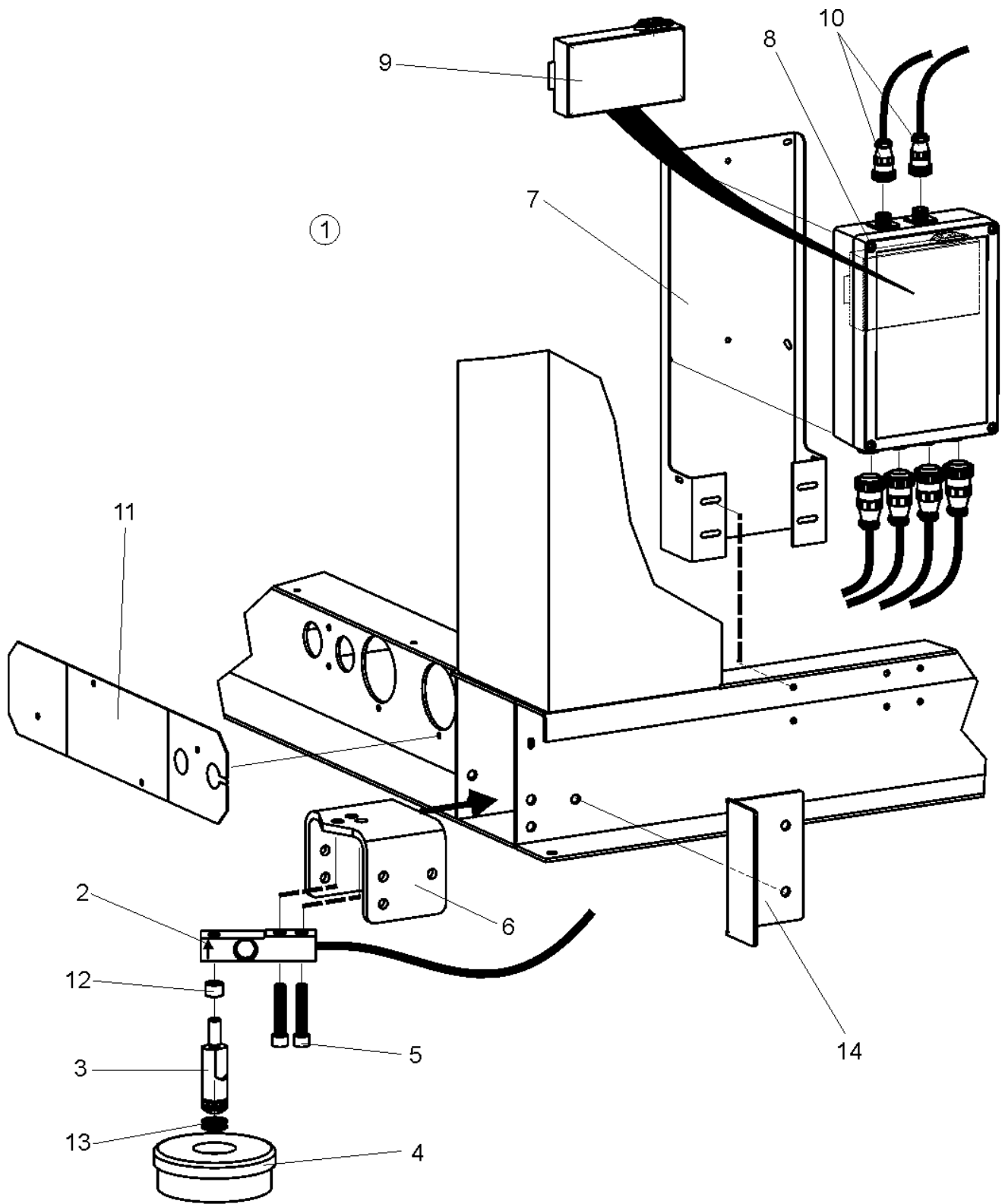
**WSB4250H. 11610022-,WSB4350H. 11610022-,WSB4500H. 11610022-**

**Automatic weighing system**

Illustration Issue Month Year  
Schéma Issue Month Year  
**611304/1 1 5 2011**

**Système de pesage automatique**

Item Article	Qua Qua	Art.No Réf. article	Description	Description	Info Info	Notes Remarques
1	4	74030139	Rubber feet / Loads cells	Pieds / Capteurs de poids	3	
2	4	31101676	Extension element	Rallonge	3	
3	4	31103434	Spacer	Entretoise	1,2	
4	4	71082670	Load cell	Capteur de poids	3	
5	8	74020257	Screw	Vis	3	M12x60
6	2	31101675	Sensor support	Support capteur	3	Right
	2	31101951	Sensor support	Support capteur	3	Left
7	1	31101671	Support for scale unit	Support boîtier de mesure	3	
8	1	71082667	Scale unit	Boîtier de mesure	3	
9	1	71082686	Power unit	Boîtier alimentation	3	
10	1	71082669	Signal cable	Câble signal	3	
11	1	71082668	Feeder cable	Câble alimentation	3	
12	1	31101555	Protective plug	Obturateur de protection	3	
13	2	31101804	Sole cap	Embout semelle	3	State Product No.
	2	31101805	Sole cap	Embout semelle	3	Stainless steel



Issue	Month	Year
02	05	10

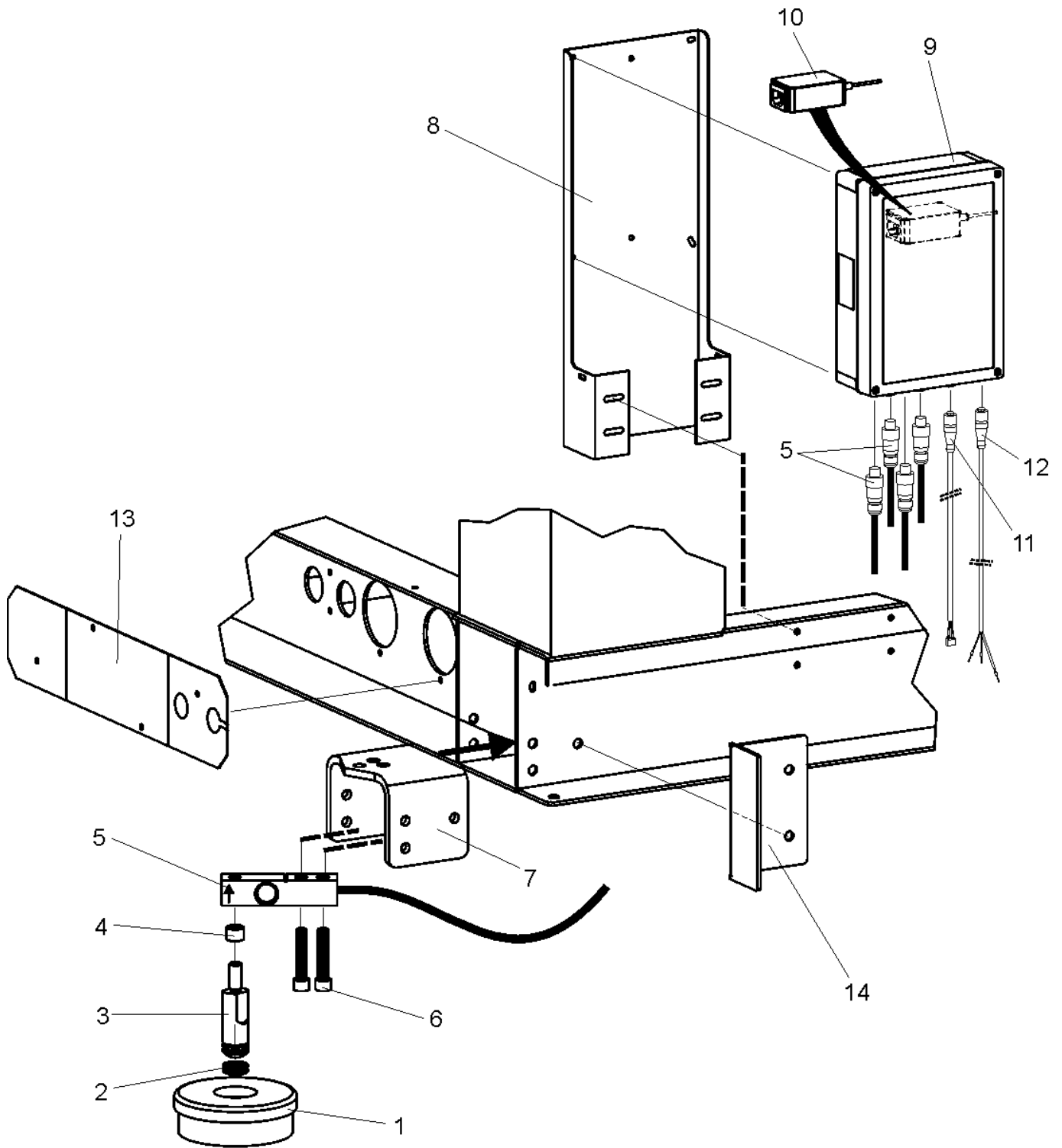
**WSB4650H. 81300011-11610021**

**Automatic weighing system**

**Système de pesage automatique**

Illustration Issue Month Year  
Schéma Issue Month Year  
**611134/1 2 5 2010**

Item Article	Qua Qua	Art.No Réf. article	Description	Description	Info Info	Notes Remarques
1	1	56000170	Weighing set kit	Kit de pesée	3	State Product No.
	1	56000171	Weighing set kit	Kit de pesée	3	Stainless steel
2	4	71082489	•Load cell	•Capteur de poids	3	
3	4	31105828	•Extension element	•Rallonge	3	
4	4	74030113	•Rubber feet / Loads cells	•Pieds / Capteurs de poids	3	
5	8	74020257	•Screw	•Vis	3	M12x60
6	4	31105395	•Sensor support	•Support capteur	3	
7	1	31101671	•Support for scale unit	•Support boîtier de mesure	3	
8	1	71082383	•Scale unit	•Boîtier de mesure	3	
9	1	71082613	••Power unit	••Boîtier alimentation	3	
10	1	31101789	•Cable set	•Toron	3	
11	1	31101555	•Protective plug	•Obturateur de protection	3	
12	4	31103434	•Spacer	•Entretoise	1,2	With 71082489
13	8	73016170	•O-ring	•Joint torique	1,2	
14	2	31101804	Sole cap	Embout semelle	3	State Product No.
	2	31101805	Sole cap	Embout semelle	3	Stainless steel





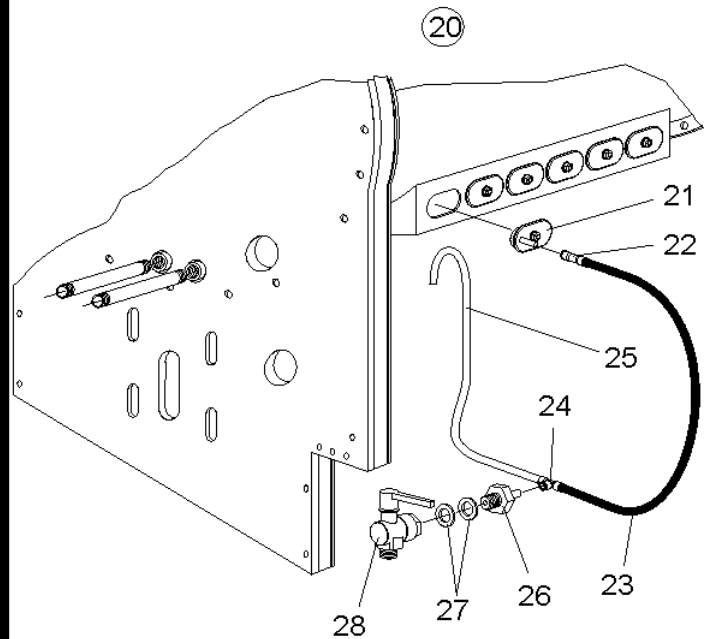
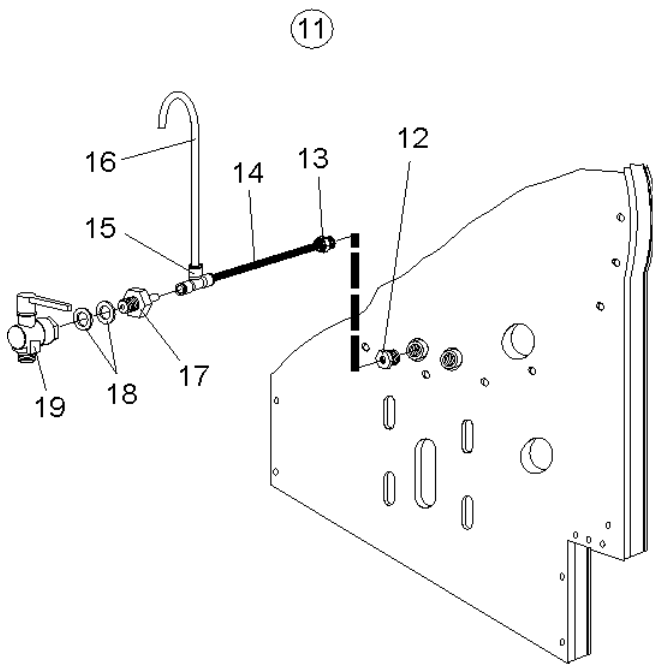
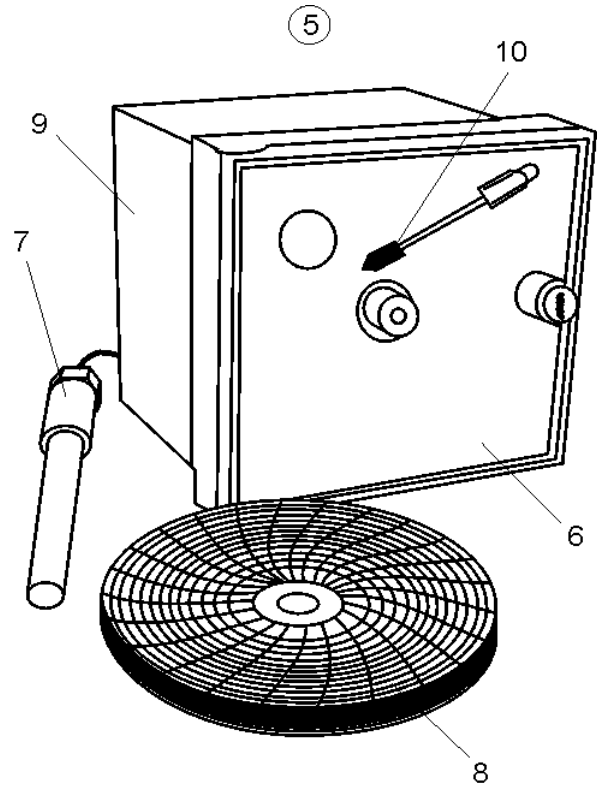
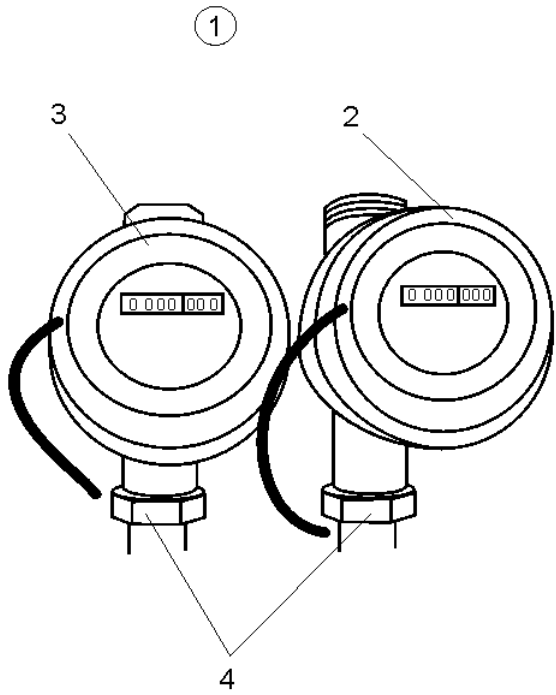
**WSB4650H. 11610022-**

**Automatic weighing system**

**Système de pesage automatique**

Illustration Issue Month Year  
Schéma Issue Month Year  
**611305/1 1 5 2011**

Item Article	Qua Qua	Art.No Réf. article	Description	Description	Info Info	Notes Remarques
1	4	74030113	Rubber feet / Loads cells	Pieds / Capteurs de poids	3	
2	8	73016170	O-ring	Joint torique	1,2	
3	4	31105828	Extension element	Rallonge	3	
4	4	31103434	Spacer	Entretoise	1,2	With 71082489
5	4	71082670	Load cell	Capteur de poids	3	
6	8	74020257	Screw	Vis	3	M12x60
7	4	31105395	Sensor support	Support capteur	3	
8	1	31101671	Support for scale unit	Support boîtier de mesure	3	
9	1	71082667	Scale unit	Boîtier de mesure	3	
10	1	71082686	•Power unit	•Boîtier alimentation	3	
11	1	71082669	Signal cable	Câble signal	3	
12	1	71082668	Feeder cable	Câble alimentation	3	
13	1	31101555	Protective plug	Obturateur de protection	3	
14	2	31101804	Sole cap	Embout semelle	3	State Product No.
	2	31101805	Sole cap	Embout semelle	3	Stainless steel



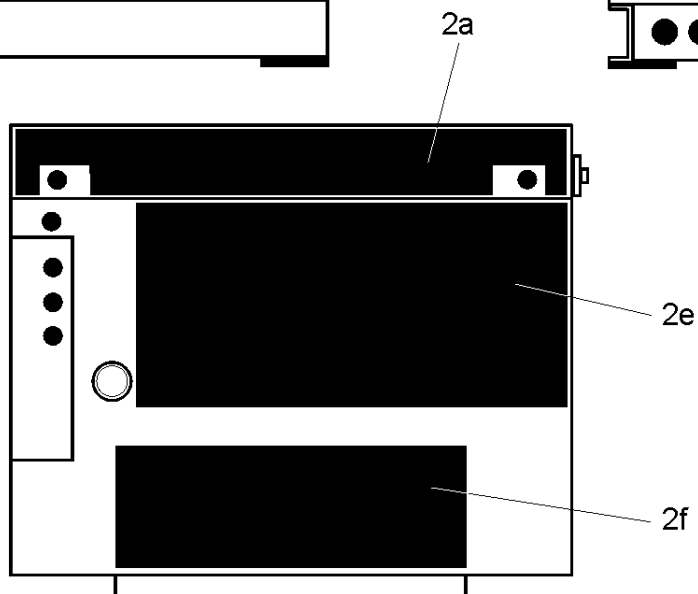
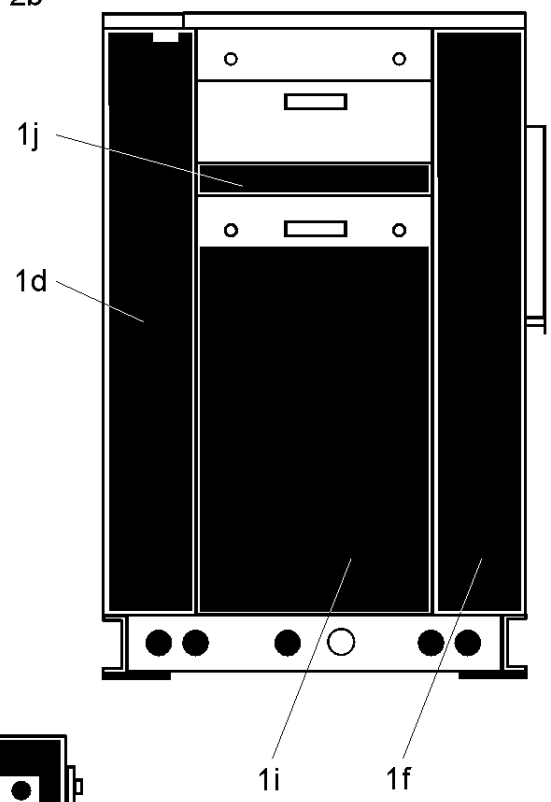
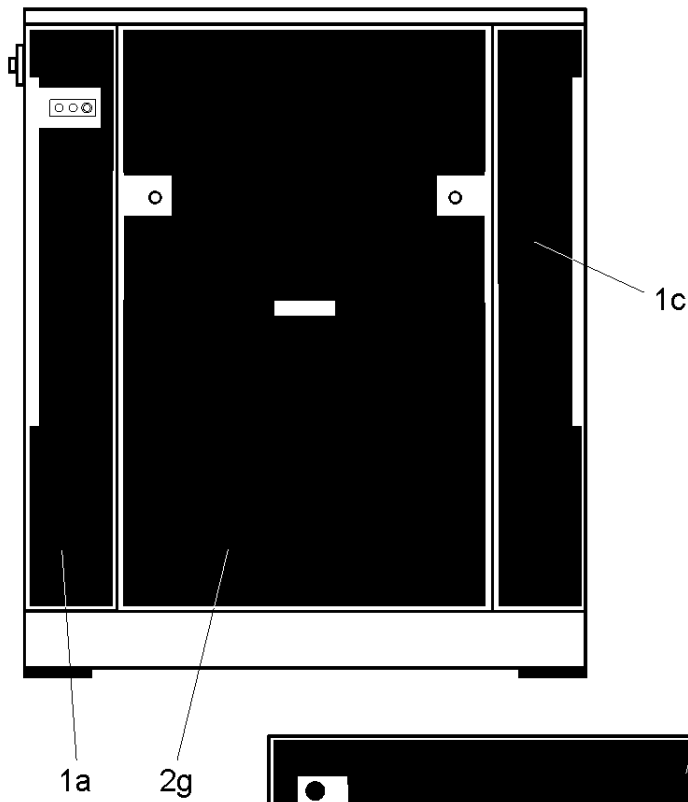
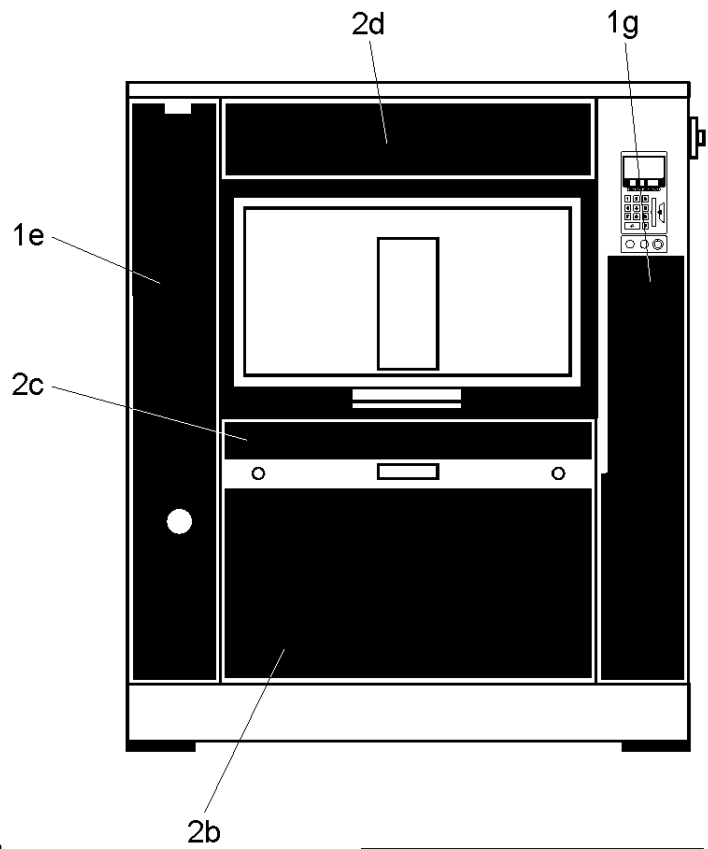
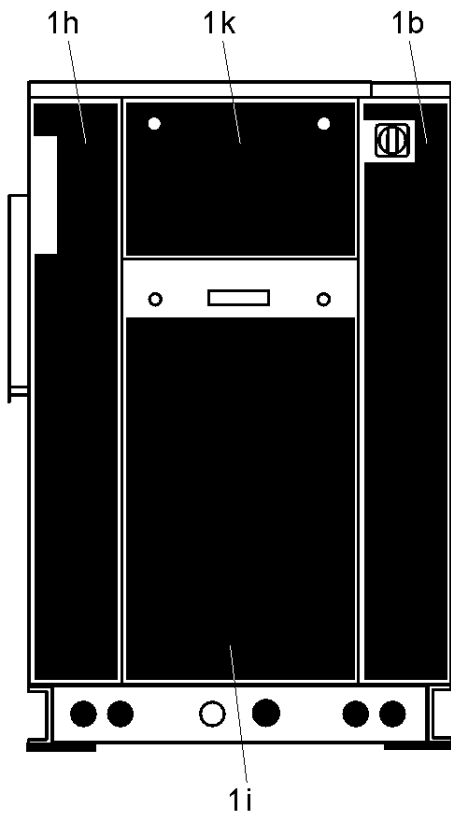
**WSB4250H.,WSB4350H.,WSB4500H.,WSB4650H.**

**HACCP option**

Illustration Issue Month Year  
Schéma Issue Month Year  
**611131/1 2 4 2008**

**Option HACCP**

Item Article	Qua Qua	Art.No Réf. article	Description	Description	Info Info	Notes Remarques
1	1	55010775	Water meter kit	Kit compteur eau	3	
2	1	72062000	•Water meter	•Compteur eau	3	DN20 Cold
3	1	72062001	•Water meter	•Compteur eau	3	DN20 Hot
4	2	72043185	•Pipe union	•Raccord union	3	G3/4-1"
5	1	55010774	Temperature recorder kit	Kit enregistreur température	3	
6	1	71031071	•Temperature recorder	•Enregistreur de température	3	
7	1	31102131	•Contact finger	•Doigt de gant	3	
8	1	71031075	•Record disk	•Disque enregistreur	3	100 disks
9	1	31101755	•Plate	•Support	3	
10	4	71031077	•Felt	•Feutre	3	
11	1	55010773	Titration valve kit	Kit prise de bain	3	
12	1	31101754	•Nipple	•Prise de bain	3	
13	1	72044192	•Straight adapter	•Raccord droit	3	G3/8"
14	1	72046136	•Polyamide pipe	•Tube polyamide	3	Ø6x8 by meter L=52cm
15	1	72044176	•Tee-square	•Té	3	Ø6/8
16	1	72046136	•Polyamide pipe	•Tube polyamide	3	Ø6x8 by meter L=148cm
17	1	31102607	•Nipple	•Prise de bain	3	
18	2	72052061	•Fiber joint	•Joint fibre	3	G3/4"
19	1	72010085	•Tap	•Robinet	3	G3/8"
20	1	55013855	Titration valve kit	Kit prise de bain	3	Low pressure steam heating
21	1	31105563	•Nipple	•Prise de bain	3	
22	1	72044243	•Double union piece	•Union double	3	Ø6/8
23	1	72046136	•Polyamide pipe	•Tube polyamide	3	Ø6x8 by meter L=60cm
24	1	72044176	•Tee-square	•Té	3	Ø6/8
25	1	72046136	•Polyamide pipe	•Tube polyamide	3	Ø6x8 by meter L=148cm
26	1	31102607	•Nipple	•Prise de bain	3	
27	1	72052061	•Fiber joint	•Joint fibre	3	G3/4"
28	1	72010085	•Tap	•Robinet	3	G3/8"



Issue	Month	Year
01	05	05

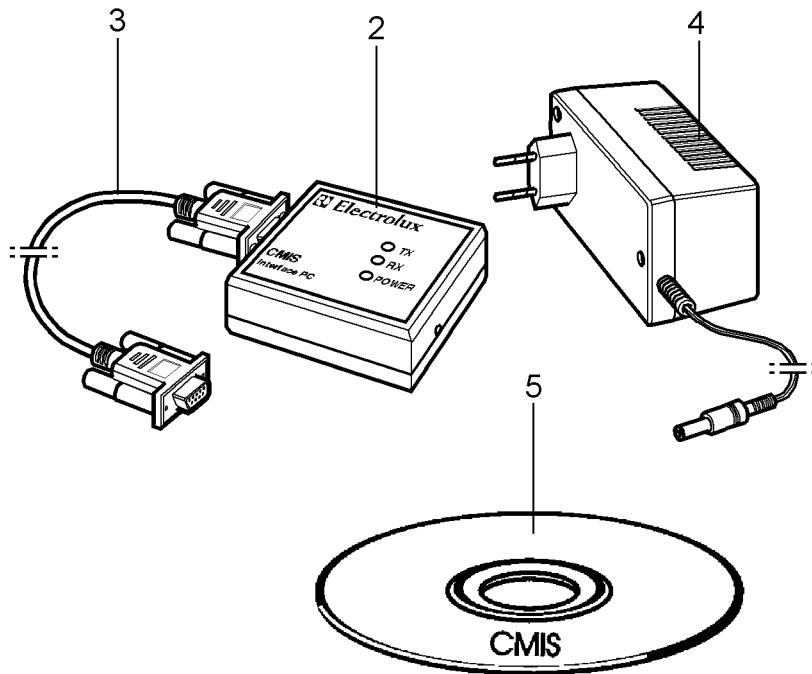
**WSB4250H.,WSB4350H.,WSB4500H.,WSB4650H.**

**Sound insulation  
Isolation phonique**

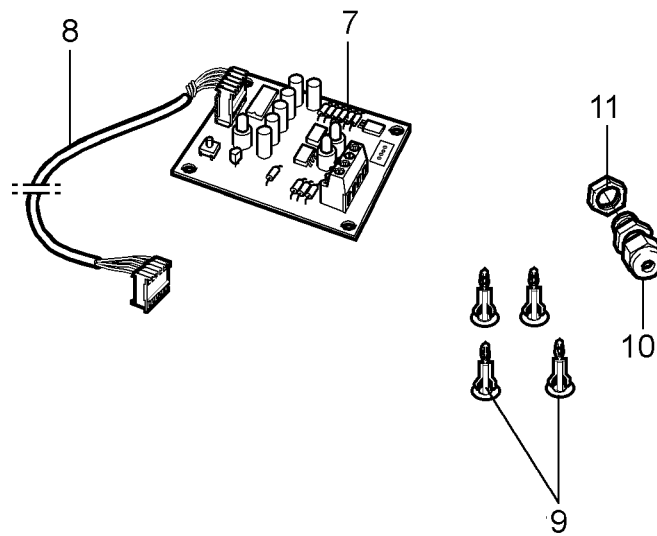
Illustration Issue Month Year  
Schéma Issue Month Year  
**610891/1 1 5 2005**

Item Article	Quantity Quantité	Art.No Réf. article	Description	Description	Info Info	Notes Remarques
			WSB4250H.			
			WSB4350H.			
			WSB4500H.			
			WSB4650H.			
<b>1</b>	1	1	<b>31102548</b>	Insulator		3 Complete
<b>1a</b>	1	1		•Insulator		3
<b>1b</b>	1	1		•Insulator		3
<b>1c</b>	1	1		•Insulator		3
<b>1d</b>	1	1		•Insulator		3
<b>1e</b>	1	1		•Insulator		3
<b>1f</b>	1	1		•Insulator		3
<b>1g</b>	1	1		•Insulator		3
<b>1h</b>	1	1		•Insulator		3
<b>1i</b>	2	2		•Insulator		3
<b>1j</b>	1	1		•Insulator		3
<b>1k</b>	1	1		•Insulator		3
<b>2</b>	1		<b>31102551</b>	Insulator		3 Complete Barrier machine
	1		<b>31102552</b>	Insulator		3 Complete Standard machine
	1		<b>31102553</b>	Insulator		3 Complete Barrier machine
	1		<b>31102554</b>	Insulator		3 Complete Standard machine
	1		<b>31102549</b>	Insulator		3 Complete Barrier machine
	1		<b>31102550</b>	Insulator		3 Complete Standard machine
	1		<b>31102555</b>	Insulator		3 Complete Barrier machine
	1		<b>31102556</b>	Insulator		3 Complete Standard machine
<b>2a</b>	1	1		•Insulator		3
<b>2b</b>	2	2		•Insulator		3
<b>2c</b>	2	2		•Insulator		3
<b>2d</b>	2	2		•Insulator		3
<b>2e</b>	1	1		•Insulator		3
<b>2f</b>	1	1		•Insulator		3
<b>2g</b>	1	1		•Insulator		3 Standard machine

①



⑥



**WSB4250H.,WSB4350H.,WSB4500H.,WSB4650H.**

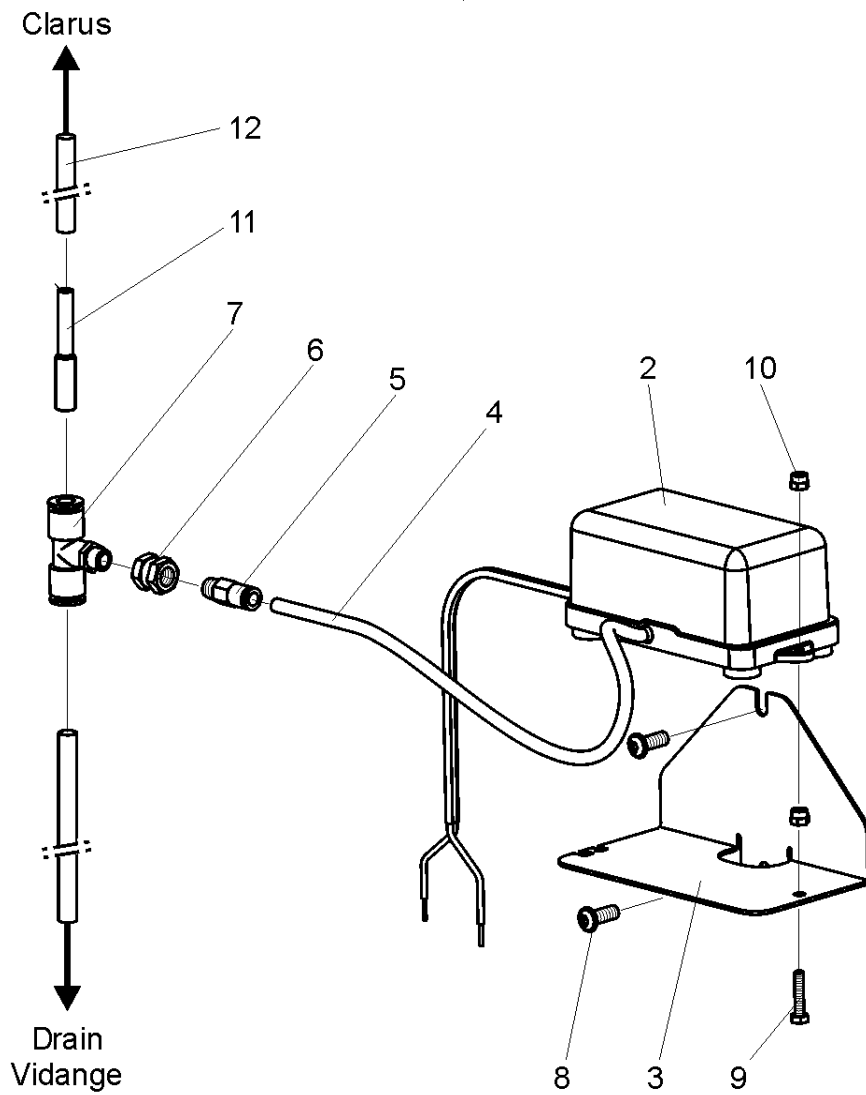
**CMIS**

Illustration Issue Month Year  
Schéma Issue Month Year  
**610892/1 3 12 2009**

**CMIS**

Item Article	Qua Qua	Art.No Réf. article	Description	Description	Info Info	Notes Remarques
<b>1</b>	1	<b>55014109</b>	CMIS Kit - Interface/PC	Kit CMIS Interface/PC	1,2	Complete
<b>2</b>	1	<b>71082628</b>	•Interface PC	•Interface PC	1	
<b>3</b>	1	<b>71082641</b>	•Linking cable	•Câble de liaison	3	
<b>4</b>	1	<b>71082657</b>	•Feed	•Alimentation	3	24VDC
<b>5</b>	1	<b>71082629</b>	•CMIS Software	•Logiciel CMIS	3	CD-Rom
<b>6</b>	1	<b>55014117</b>	CMIS Kit	Kit CMIS	1	Complete
<b>7</b>	1	<b>71082642</b>	•CMIS Interface	•Interface CMIS	1	
<b>8</b>	1	<b>71082643</b>	•Linking cable	•Câble de liaison	3	
<b>9</b>	4	<b>71076067</b>	•Spacer	•Entretoise	3	
<b>10</b>	1	<b>71079000</b>	•Cable fitting	•Presse étoupe	3	
<b>11</b>	1	<b>71079007</b>	•Locking nut	•Contre-écrou	3	

①





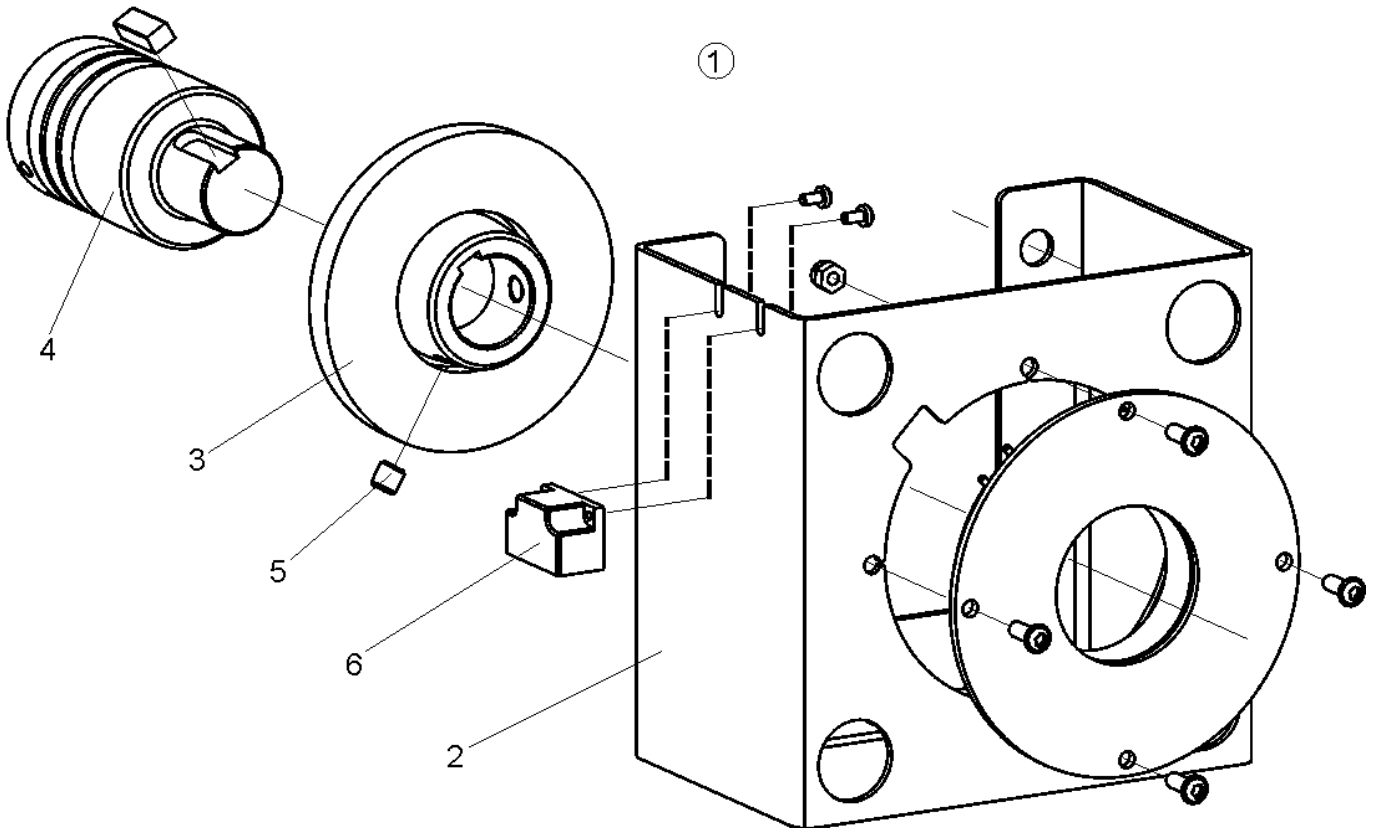
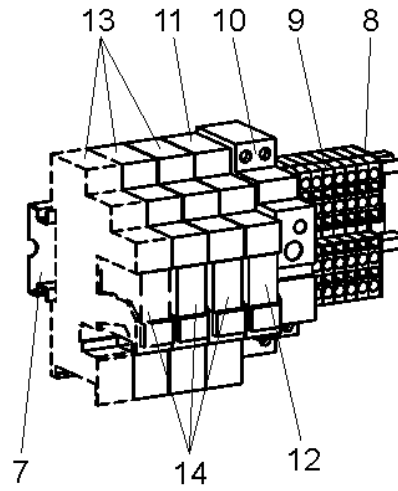
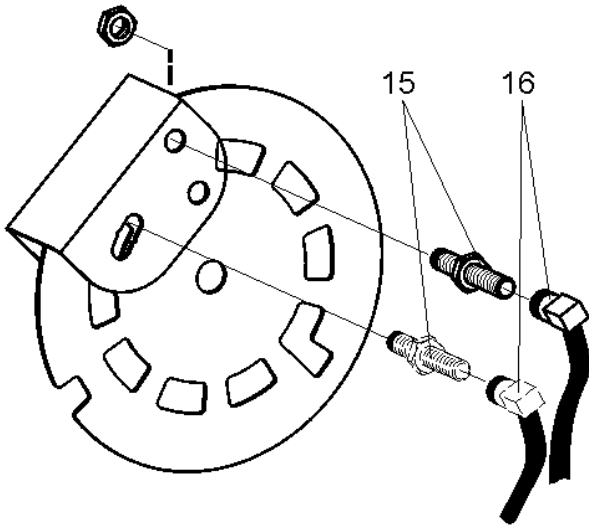
**WSB4250H.,WSB4350H.,WSB4500H.,WSB4650H.**

**Diaphragm pump kit**

Illustration Issue Month Year  
Schéma Issue Month Year  
**611026/1 3 2 2007**

**Kit pompe à membrane**

Item Article	Qua Qua	Art.No Réf. article	Description	Description	Info Info	Notes Remarques
<b>1</b>	1	<b>55013256</b>	Diaphragm pump kit	Kit pompe à membrane	1,2	Complete
<b>2</b>	1	<b>72030045</b>	•Diaphragm pump	•Pompe à membrane	1,2	
<b>3</b>	1	<b>31104691</b>	•Rail	•Support	3	
<b>4</b>	1	<b>72046190</b>	•Polyurethane pipe	•Tube polyuréthane	3	Ø4/6 by meter
<b>5</b>	1	<b>72044238</b>	•Nonreturn valve	•Clapet anti-retour	3	G1/8"
<b>6</b>	1	<b>72044237</b>	•Hose sleeve	•Manchon	3	G1/8"
<b>7</b>	1	<b>72044239</b>	•T-coupling	•Raccord en T	3	G1/8"
<b>8</b>	2	<b>74033101</b>	•Screw	•Vis	3	M6x16
<b>9</b>	1	<b>74010012</b>	•Screw	•Vis	3	M4x20
<b>10</b>	2	<b>74011202</b>	•Locking nut	•Ecrou frein	3	M4
<b>11</b>	1	<b>72044242</b>	•Reduction	•Réduction	3	Ø6/8-4/6
<b>12</b>	1	<b>72046188550</b>	•Rubber pipe	•Tube caoutchouc	3	Ø4/7 Length 550mm



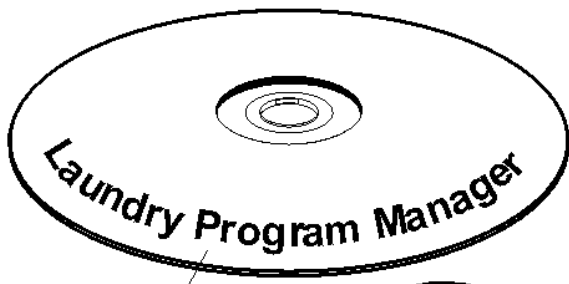
**WSB4250H.,WSB4350H.,WSB4500H.,WSB4650H.**

**Inner drum positioning with brake**

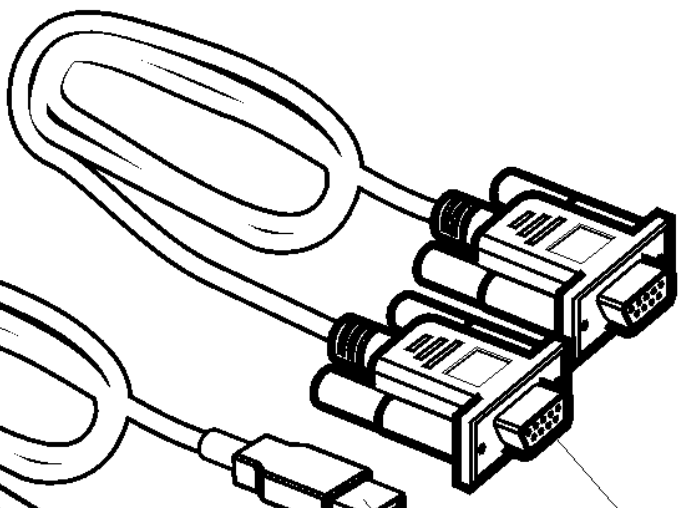
Illustration Issue Month Year  
Schéma Issue Month Year  
**611042/2 2 12 2007**

**Positionnement tambour avec frein**

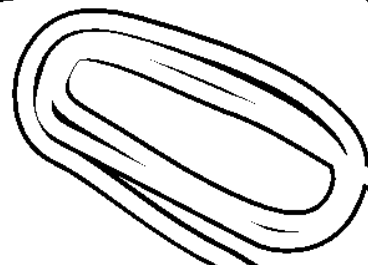
Item Article	Quantity Quantité	Art.No Réf. article	Description	Description	Info Info	Notes Remarques
			WSB4250H.			
			WSB4350H.			
			WSB4500H.			
			WSB4650H.			
1	1	1	55012427	Inner drum positioning kit	3	Complete
		1	55012429	Inner drum positioning kit	3	Complete
2	1	1	31103568	•Support	3	
3	1	1	73020540	•Brake	3	
4	1	1	31103569	•Drive pulley	3	
		1	31103570	•Drive pulley	3	
5	2	2	74020217	•Screw	3	M10x10
6	1	1	71021164	•Rectifier	3	230V
7	1	1	31004659	•Profile	3	L=200
8	1	1	71075068	•End flange	3	
9	9	9	71075067	•Terminal block	3	
10	1	1	71052127	•Time relay	1,2	250V
11	1	1	71052130	•Relay support	3	
12	1	1	71052131	•Contactor	1,2	24VDC
13	3	3	71052132	•Relay support	3	
14	3	3	71052134	•Contactor	1,2	24VDC
15	2	2	71050247	•Inductive proximity switch	1,2	
16	2	2	71050200	•Connector	3	L=2m 3 pole



①

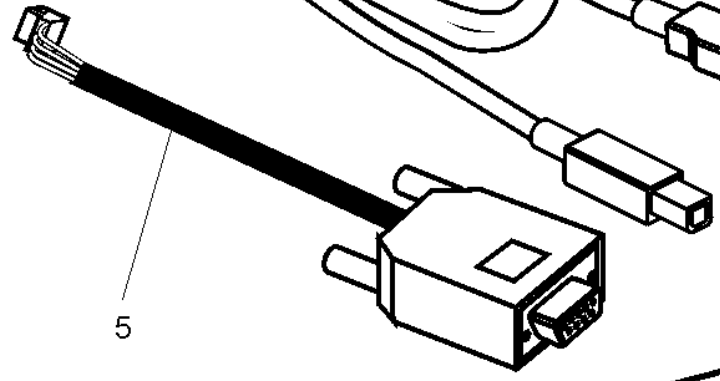


2



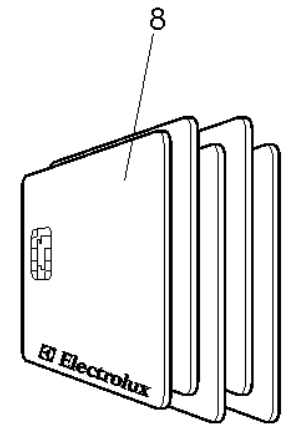
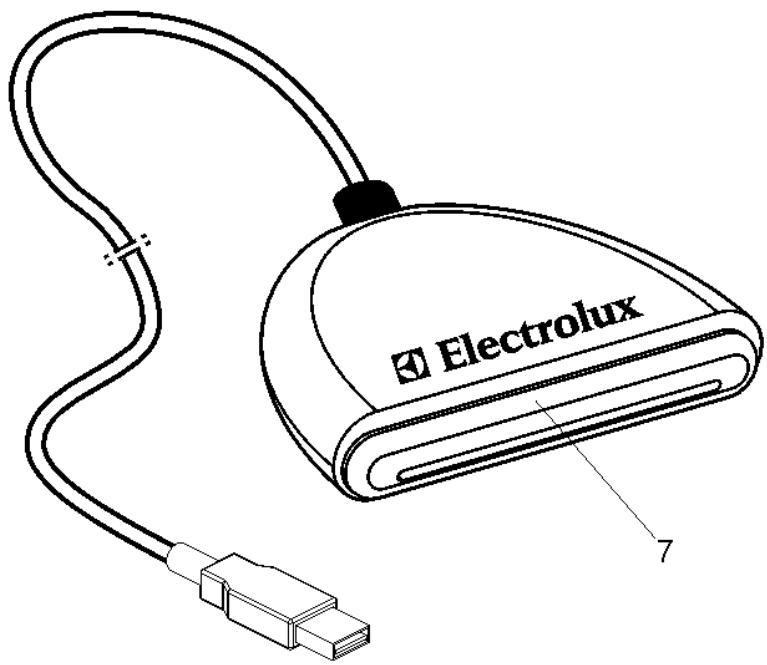
3

4



5

⑥



8

Issue	Month	Year
02	09	14

**WSB4250H.,WSB4350H.,WSB4500H.,WSB4650H.**

**Laundry Program Manager Kit**

Illustration Issue Month Year  
Schéma Issue Month Year  
**611049/2 2 9 2014**

**Kit Laundry Program Manager**

Item Article	Qua Qua	Art.No Réf. article	Description	Description	Info Info	Notes Remarques
<b>1</b>	1	<b>988 8022-69</b>	Base kit Laundry Program Manager	Kit de base Laundry Program Manager	1,2	Complete
<b>2</b>	1		•LPM Software	•Logiciel LPM	3	
<b>3</b>	1		•Linking cable	•Câble de liaison	3	RS232
<b>4</b>	1		•Linking cable	•Câble de liaison	3	USB
<b>5</b>	1		•Connection plug	•Prise de raccordement	3	RS232
<b>6</b>	1	<b>988 8022-60</b>	Clarus Control extension kit	Kit extension Clarus Control	1,2	Complete
<b>7</b>	1		•Card reader for memory cards	•Lecteur carte à puce	3	USB
<b>8</b>	5	<b>71082387</b>	•Memory card	•Carte à puce	1,2	

## Numerical index/Numerical index

Art.No/Réf. article	Page/Page	Art.No/Réf. article	Page/Page	Art.No/Réf. article	Page/Page	Art.No/Réf. article	Page/Page
1106001	65	31008372	65	31100237	7	31100772	33
31000670	39	31008381	65	31100238	7	31100777	33
31000670	43	31008382	65	31100238	11	31100788	67
31000670	45	31008391	65	31100238	15	31100791	51
31002496	65	31008402	65	31100238	19	31100792	51
31003460	21	31008403	65	31100239	7	31100796	51
31003509	65	31008407	65	31100239	11	31100796	55
31004241	65	31008408	65	31100239	15	31100796	59
31004335	65	31008412	65	31100239	19	31100864	7
31004339	65	31008413	65	31100242	7	31100864	11
31004341	65	31100018	49	31100243	7	31100864	15
31004470	65	31100035	7	31100243	11	31100864	19
31004482	65	31100035	11	31100243	15	31100876	59
31004658	83	31100035	15	31100243	19	31100876	61
31004658	85	31100035	19	31100259	83	31100892kit	35
31004658	87	31100036	7	31100259	87	31100892kit	37
31004658	89	31100036	11	31100310	59	31100925	7
31004658	91	31100036	15	31100310	61	31100925	11
31004659	83	31100036	19	31100314	59	31100925	15
31004659	85	31100041	51	31100362	35	31100925	19
31004659	87	31100042	51	31100381	47	31100939	83
31004659	89	31100043	51	31100392	39	31100939	85
31004659	91	31100065	7	31100392	41	31100939	87
31004659	117	31100065	11	31100392	43	31100939	89
31005008	59	31100065	15	31100392	45	31100939	91
31005008	61	31100065	19	31100424	35	31100984	61
31005228	51	31100066	7	31100430	21	31101123	33
31005228	57	31100067	7	31100431	15	31101128	69
31005235	59	31100069	7	31100432	15	31101150	69
31005235	61	31100069	11	31100433	15	31101151	69
31005235	63	31100069	15	31100434	15	31101153	69
31005267	39	31100069	19	31100464	7	31101157	69
31005267	41	31100070	7	31100464	11	31101158	69
31005267	43	31100070	11	31100464	15	31101159	69
31005267	45	31100070	15	31100464	19	31101172	35
31005341	51	31100070	19	31100465	75	31101172	37
31005341	55	31100075	49	31100465	79	31101173	35
31005561	51	31100077	7	31100486	17	31101173	37
31005561	55	31100078	7	31100495	19	31101198	33
31005561	57	31100090	23	31100499	19	31101202	77
31006181	39	31100091	35	31100500	19	31101202	79
31006181	41	31100091	37	31100501	21	31101214	35
31006181	43	31100095	33	31100568	23	31101215	35
31006181	45	31100101	39	31100569	17	31101223	77
31006182	39	31100101	41	31100597	15	31101223	79
31006182	41	31100101	43	31100598	15	31101224	7
31006183	39	31100126	9	31100599	15	31101224	11
31006183	41	31100134	7	31100600	15	31101224	15
31006184	43	31100134	11	31100610	35	31101224	19
31006184	45	31100134	15	31100673	23	31101226	7
31006185	43	31100134	19	31100679	11	31101226	11
31006185	45	31100163	95	31100680	11	31101226	15
31007100	65	31100230	7	31100681	11	31101226	19
31007104	65	31100232	7	31100682	11	31101228	35
31007105	67	31100232	11	31100683	13	31101228	37
31007262	67	31100232	15	31100684	11	31101229	7
31007267	65	31100232	19	31100685	11	31101229	11
31007285	67	31100233	7	31100686	11	31101229	15
31007309	67	31100233	11	31100687	11	31101229	19
31007321	65	31100233	15	31100690	35	31101230	7
31007332	65	31100233	19	31100693	35	31101230	11
31007790	67	31100235	7	31100693	37	31101230	15
31007949	49	31100236	7	31100696	47	31101230	19
31007951	49	31100236	11	31100697	19	31101231	7
31008354	65	31100236	15	31100742	27	31101231	11
31008356	65	31100236	19	31100743	27	31101231	15

## Numerical index/Numerical index

Art.No/Réf. article	Page/Page	Art.No/Réf. article	Page/Page	Art.No/Réf. article	Page/Page	Art.No/Réf. article	Page/Page
31101231	19	31101630	99	31102555	111	31104405	85
31101232	7	31101632	99	31102556	111	31104405	87
31101232	11	31101633	99	31102557	23	31104405	89
31101232	15	31101640	51	31102607	109	31104405	91
31101232	19	31101640	55	31102613	23	31104405	93
31101236	27	31101647	49	31102624	23	31104406	9
31101305	33	31101648	49	31102626	23	31104406	13
31101330	47	31101651	49	31102628	23	31104406	17
31101331	33	31101656	29	31102630	23	31104406	21
31101346	23	31101657	29	31102675	35	31104406	93
31101347	19	31101657	31	31102675	37	31104412	9
31101348	19	31101660	29	31102697	23	31104412	13
31101349	19	31101671	101	31102700	23	31104412	17
31101353	19	31101671	103	31102705	23	31104412	21
31101357	21	31101671	105	31102707	23	31104412	93
31101361	7	31101671	107	31102738	35	31104414	7
31101361	11	31101675	101	31102780	27	31104414	11
31101361	15	31101675	103	31102799	51	31104414	15
31101361	19	31101676	101	31102850	33	31104414	19
31101367	33	31101676	103	31102860	83	31104414	93
31101380	81	31101690	33	31102860	85	31104475	93
31101400	33	31101691	33	31102860	87	31104476	93
31101403	95	31101748	49	31102860	89	31104497	25
31101404	95	31101754	109	31102860	91	31104583	71
31101405	95	31101755	109	31102868	87	31104584	71
31101412	13	31101789	101	31103298	51	31104587	71
31101439	33	31101789	105	31103298	57	31104588	71
31101440	33	31101803	7	31103323	59	31104591	71
31101441	33	31101803	11	31103324	59	31104592	71
31101456	41	31101803	15	31103325	51	31104595	71
31101457	41	31101803	19	31103325	55	31104596	71
31101457	43	31101804	101	31103327	33	31104599	71
31101459	41	31101804	103	31103335	33	31104600	71
31101459	47	31101804	105	31103357	51	31104603	73
31101498	33	31101804	107	31103358	51	31104604	73
31101499	33	31101805	101	31103385	51	31104607	73
31101533	69	31101805	103	31103385	57	31104608	73
31101534	69	31101805	105	31103397	51	31104611	73
31101555	7	31101805	107	31103434	101	31104612	73
31101555	11	31101828	31	31103434	103	31104615	73
31101555	15	31101829	29	31103434	105	31104616	73
31101555	19	31101830	29	31103434	107	31104619	73
31101555	101	31101935	69	31103437	75	31104620	75
31101555	103	31101951	101	31103437	79	31104623	75
31101555	105	31101951	103	31103483	33	31104624	75
31101555	107	31101955	83	31103485	33	31104627	75
31101557	33	31101955	85	31103532	47	31104628	75
31101558	33	31101955	87	31103568	117	31104631	75
31101559	33	31101955	89	31103569	117	31104632	75
31101560	95	31101955	91	31103570	117	31104691	115
31101568	67	31101985	33	31103573	43	31104726	7
31101569	67	31102131	109	31103597	33	31104726	11
31101570	67	31102427	77	31103613	35	31104726	15
31101572	23	31102428	77	31103682	49	31104726	19
31101573	23	31102428	79	31103765	33	31104726	93
31101580	69	31102431	23	31104198	51	31104853	77
31101582	69	31102432	23	31104275	61	31104853	79
31101584	69	31102473	53	31104391	81	31104880	31
31101593	53	31102473	55	31104391	83	31104884	31
31101593	55	31102548	111	31104391	85	31104886	31
31101593	61	31102549	111	31104391	87	31104887	31
31101601	69	31102550	111	31104391	89	31104910	31
31101626	99	31102551	111	31104391	91	31105242	61
31101627	99	31102552	111	31104402	93	31105277	37
31101628	99	31102553	111	31104404	93	31105278	37
31101629	99	31102554	111	31104405	83	31105279	37

## Numerical index/Numerical index

Art.No/Réf. article	Page/Page	Art.No/Réf. article	Page/Page	Art.No/Réf. article	Page/Page	Art.No/Réf. article	Page/Page
31105307	37	31105767	75	31108038	79	55013768	37
31105325	77	31105768	75	31108039	79	55013769	37
31105325	79	31105775	7	31108040	79	55013772	37
31105386	37	31105775	11	31108041	79	55013773	37
31105388	37	31105775	15	31108042	79	55013780	37
31105394	31	31105775	19	31108043	79	55013782	37
31105395	105	31105776	55	31108044	79	55013855	109
31105395	107	31105777	7	31108045	79	55014109	113
31105396	31	31105777	11	31108046	79	55014117	113
31105398	49	31105777	15	32004892	67	56000022	101
31105437	83	31105778	7	32006860	65	56000023	101
31105460	43	31105778	11	34003805	49	56000043	65
31105462	33	31105778	15	34005603	81	56000127	49
31105542	55	31105778	19	471 9004-45	81	56000146	35
31105543	55	31105815	55	55007910	65	56000165	33
31105544	55	31105828	105	55008531	35	56000170	105
31105545	55	31105828	107	55009310	39	56000171	105
31105546	55	31105834	75	55009310	41	56000191	33
31105547	55	31105835	75	55009311	43	71014108	49
31105548	55	31105847	91	55009311	45	71014127	47
31105549	55	31105848	91	55009437	35	71014129	47
31105551	7	31105849	83	55009481	35	71014135	47
31105551	11	31105849	85	55009792	35	71014154	47
31105551	15	31105849	87	55010082	49	71014155	47
31105551	19	31105849	89	55010181	97	71014156	47
31105561	55	31105849	91	55010182	97	71014158	47
31105562	55	31105867	45	55010183	97	71014176	47
31105563	109	31105967	45	55010184	97	71014177	47
31105564	37	31106307	71	55010196	65	71020031	65
31105577	19	31106308	71	55010198	67	71020075	93
31105577	33	31106311	71	55010364	51	71020076	93
31105578	33	31106312	71	55010773	109	71021108	83
31105579	33	31106315	71	55010774	109	71021108	85
31105580	33	31106316	71	55010775	109	71021108	87
31105581	33	31106319	71	55010958	81	71021108	89
31105582	33	31106320	71	55011213	63	71021108	91
31105593	49	31106323	71	55011226	63	71021137	83
31105634	71	31106324	73	55011232	63	71021137	85
31105666	7	31106327	73	55011237	63	71021137	87
31105666	11	31106328	73	55011729	35	71021137	89
31105666	17	31106331	73	55011911	67	71021164	117
31105670	51	31106332	73	55012420	35	71030051	83
31105670	55	31106335	73	55012421	35	71030051	85
31105720	71	31106336	73	55012427	117	71030051	87
31105721	71	31106339	73	55012429	117	71030051	89
31105724	71	31106340	73	55012504	97	71030051	91
31105727	71	31106343	73	55012505	97	71030072	67
31105728	71	31106344	75	55012506	97	71030074	67
31105731	71	31106347	75	55012507	97	71031071	109
31105732	71	31106348	75	55012793	33	71031075	109
31105735	71	31106351	75	55012794	33	71031077	109
31105736	73	31106352	75	55012795	33	71050010	87
31105739	73	31106355	75	55012925	97	71050010	89
31105740	73	31106356	75	55012926	97	71050061	67
31105743	73	31106359	75	55012927	97	71050067	87
31105744	73	31106360	75	55012928	97	71050067	89
31105747	73	31106447	61	55013087	51	71050068	83
31105748	73	31106982	91	55013088	51	71050068	85
31105751	73	31106983	83	55013256	81	71050068	87
31105752	73	31107933	69	55013256	115	71050071	67
31105755	73	31107934	61	55013363	71	71050126	83
31105756	75	31108033	79	55013363	79	71050126	85
31105759	75	31108034	79	55013649	93	71050126	87
31105760	75	31108035	79	55013650	93	71050126	91
31105763	75	31108036	79	55013696	49	71050164	87
31105764	75	31108037	79	55013697	49	71050164	91



Numerical index/Numerical index

Art.No/Réf. article	Page/Page	Art.No/Réf. article	Page/Page	Art.No/Réf. article	Page/Page	Art.No/Réf. article	Page/Page
71050200	43	71075019	81	71082140	87	71082668	103
71050200	45	71075019	83	71082140	89	71082668	107
71050200	117	71075019	85	71082140	91	71082669	103
71050247	43	71075019	87	71082151	67	71082669	107
71050247	117	71075019	89	71082162	87	71082670	103
71050267	45	71075019	91	71082305	83	71082670	107
71052041	67	71075019	93	71082305	87	71082686	103
71052106	67	71075037	81	71082342	83	71082686	107
71052106	81	71075037	83	71082342	87	71082750*	83
71052107	81	71075037	85	71082342	91	71088018	65
71052108	81	71075037	87	71082351	83	72010081	67
71052120	67	71075037	89	71082351	85	72010085	109
71052127	117	71075037	91	71082351	87	72010095	61
71052130	117	71075058	67	71082371	81	72010108	61
71052131	117	71075058	81	71082372	75	72011120	67
71052132	117	71075058	83	71082372	79	72011143	67
71052134	117	71075058	85	71082374	81	72011144	65
71053083	51	71075058	87	71082378	75	72011148	65
71053083	55	71075058	89	71082378	79	72011150	67
71053121	55	71075058	91	71082379	75	72011155	51
71054057	99	71075060	51	71082379	79	72011155	55
71054060	95	71075060	55	71082383	101	72011158	51
71054100	33	71075066	93	71082383	105	72011158	55
71054115	95	71075067	67	71082387	77	72011165	61
71054130	77	71075067	81	71082387	79	72011169	51
71054130	79	71075067	117	71082387	119	72011169	55
71054132	77	71075068	81	71082417	81	72011205	59
71054132	79	71075068	117	71082421	87	72011206	55
71054135	15	71076067	113	71082422	87	72011211	55
71054135	19	71077050	83	71082423	83	72011216	55
71054136	15	71077050	85	71082424	87	72012007	51
71054136	19	71077050	87	71082428	83	72012007	55
71054137	7	71077050	89	71082428	87	72012010	59
71054137	11	71077050	91	71082430	87	72012011	61
71054137	15	71078022	81	71082431	83	72013075	59
71054137	19	71079000	113	71082432	87	72013076	39
71054144	7	71079007	113	71082489	101	72013076	41
71054155	7	71079010	7	71082489	105	72013076	43
71054168	7	71079010	11	71082555	75	72013076	45
71054168	11	71079010	15	71082555	79	72013108	67
71054174	49	71079010	19	71082560*	87	72020138	99
71054176	49	71079012	15	71082561	81	72020177	33
71054191	65	71079012	19	71082613	101	72020198	25
71054202	81	71079034	7	71082613	105	72020198	27
71054218	65	71079034	11	71082616	91	72020198	29
71070006	59	71079034	15	71082617	83	72020198	31
71070006	61	71079034	19	71082617	85	72020221	33
71070008	63	71079035	15	71082617	87	72020318	33
71070008	83	71079035	19	71082617	89	72030033	67
71070008	87	71079045	95	71082617	91	72030045	115
71071052	67	71079049	95	71082628	113	72040032	65
71072033	67	71081008	81	71082629	113	72040033	51
71072034	67	71081008	83	71082636	87	72040033	55
71072035	67	71081008	85	71082636	91	72041001	59
71072037	67	71081008	87	71082637	83	72042021	59
71074156	81	71081008	89	71082637	85	72042021	61
71074169	81	71081008	91	71082638	87	72043024	59
71075017	93	71081013	67	71082638	89	72043024	65
71075018	83	71082035	65	71082641	113	72043025	61
71075018	85	71082139	83	71082642	113	72043034	59
71075018	87	71082139	85	71082643	113	72043042	61
71075018	89	71082139	87	71082657	113	72043079	59
71075018	91	71082139	89	71082665	85	72043140	65
71075018	93	71082139	91	71082666	89	72043161	61
71075019	51	71082140	83	71082667	103	72043172	51
71075019	55	71082140	85	71082667	107	72043172	55

## Numerical index/Numerical index

Art.No/Réf. article	Page/Page	Art.No/Réf. article	Page/Page	Art.No/Réf. article	Page/Page	Art.No/Réf. article	Page/Page
72043185	109	72061003	41	74020280010	23	74033203	47
72043221	61	72061003	43	74020282010	47	74033203010	67
72044110	61	72061003	45	74020283010	23	74033205	47
72044176	49	72061005	39	74020283010	35	74033254010	23
72044176	109	72061005	41	74020283010	37	74033254010	35
72044192	109	72061005	43	74023051	45	74033254010	37
72044194	49	72061005	45	74023098	49	74033401020	45
72044237	115	72062000	109	74025040	59	74033405	25
72044238	115	72062001	109	74025040	61	74033405	27
72044239	115	73011019	39	74025043	69	74033405	29
72044242	49	73011019	41	74025044	61	74033603010	67
72044242	115	73011019	43	74030066	67	74033701	33
72044243	109	73011019	45	74030106	49	74033907	35
72046032	51	73012003	99	74030112	7	74033907020	37
72046032	53	73016079	39	74030112	11	74033908	35
72046032	55	73016079	41	74030112	15	74033908	51
72046032	57	73016079	43	74030112	19	74033908020	37
72046036	59	73016079	45	74030112	51	74033908020	55
72046036	61	73016080	39	74030112	55	74035005	81
72046036	63	73016080	41	74030113	105	74035006	81
72046036	65	73016080	43	74030113	107	74036004	33
72046036	67	73016080	45	74030120	7	74036004	35
72046131	49	73016170	105	74030120	11	74036004	51
72046136	65	73016170	107	74030120	15	74036004020	37
72046136	109	73016183	39	74030120	19	74036004020	55
72046137	49	73016183	41	74030139	101	74036006	33
72046137	51	73016183	43	74030139	103	74036006020	55
72046137	55	73016183	45	74030140	29	74036006020	65
72046137	59	73020472	39	74030140	31	74036007	35
72046137	61	73020472	47	74030141	7	74036007010	35
72046137	63	73020474	39	74030141	11	74036007010	37
72046138	51	73020474	47	74030141	15	74036405	43
72046138	53	73020516	41	74030141	19	75011083	67
72046138	55	73020516	47	74030142	27	75011088300	33
72046138	57	73020540	117	74030148	35	75011088350	33
72046139	61	73022303	47	74030149	35	75012032	49
72046162	49	74010003020	55	74030181	25	75015010	65
72046173	35	74010003020	65	74030182	25	75015105	9
72046173	37	74010012	115	74030194	37	75015105	13
72046174	51	74010014	65	74030195	37	75015105	17
72046174	55	74010125	45	74031035	65	75015105	21
72046175	51	74011001	51	74031051	65	75015109	49
72046175	55	74011001020	55	74031052	65	75015111	7
72046179	51	74011005	65	74032399	75	75015111	11
72046179	55	74011007	93	74032399	79	75015111	17
72046182	49	74011102	33	74032400	77	75015111	21
72046188550	49	74011202	115	74032400	79	75015121	49
72046188550	115	74011203	35	74033001010	93	75015135	49
72046190	115	74011203020	37	74033002	39	75015153	51
72048001	49	74011204	33	74033002	41	75015153	55
72048001	51	74011205	35	74033002	43	75015155	59
72048001	57	74011205010	37	74033002020	55	75015155	61
72048022	51	74014037	23	74033003020	45	75015155	63
72048022	55	74020033	25	74033021	39	75015189	49
72051120	65	74020033	27	74033021	41	75015191	67
72051121	65	74020063	25	74033021	43	75015202	65
72051177	65	74020063	27	74033022	39	75015210	51
72051241	65	74020063	29	74033022	41	75015227020	33
72052061	51	74020204	47	74033022	43	75015233	59
72052061	55	74020217	117	74033023	47	75019001	9
72052061	109	74020257	101	74033023010	45	75019001	13
72052064	65	74020257	103	74033040	45	75019001	17
72052076	65	74020257	105	74033101	93	75019001	21
72052079	33	74020257	107	74033101	115	75019001	51
72060067	67	74020259	29	74033102	51	75019002	35
72061003	39	74020271	93	74033202020	65	75019002	37

Numerical index/Numerical index

Art.No/Réf. article	Page/Page	Art.No/Réf. article	Page/Page	Art.No/Réf. article	Page/Page	Art.No/Réf. article	Page/Page
75021005	33						
94081008	47						
96000026	51						
96000026	55						
96003000	33						
988 8022-60	119						
988 8022-69	119						



Electrolux Laundry Systems  
Rue Pasteur  
10430 Rosieres Près Troyes Cedex FRANCE  
<http://professional.electrolux.com/>

**Share more of our thinking at [www.electrolux.com](http://www.electrolux.com)**