

Spareparts Catalogue

WE1100P



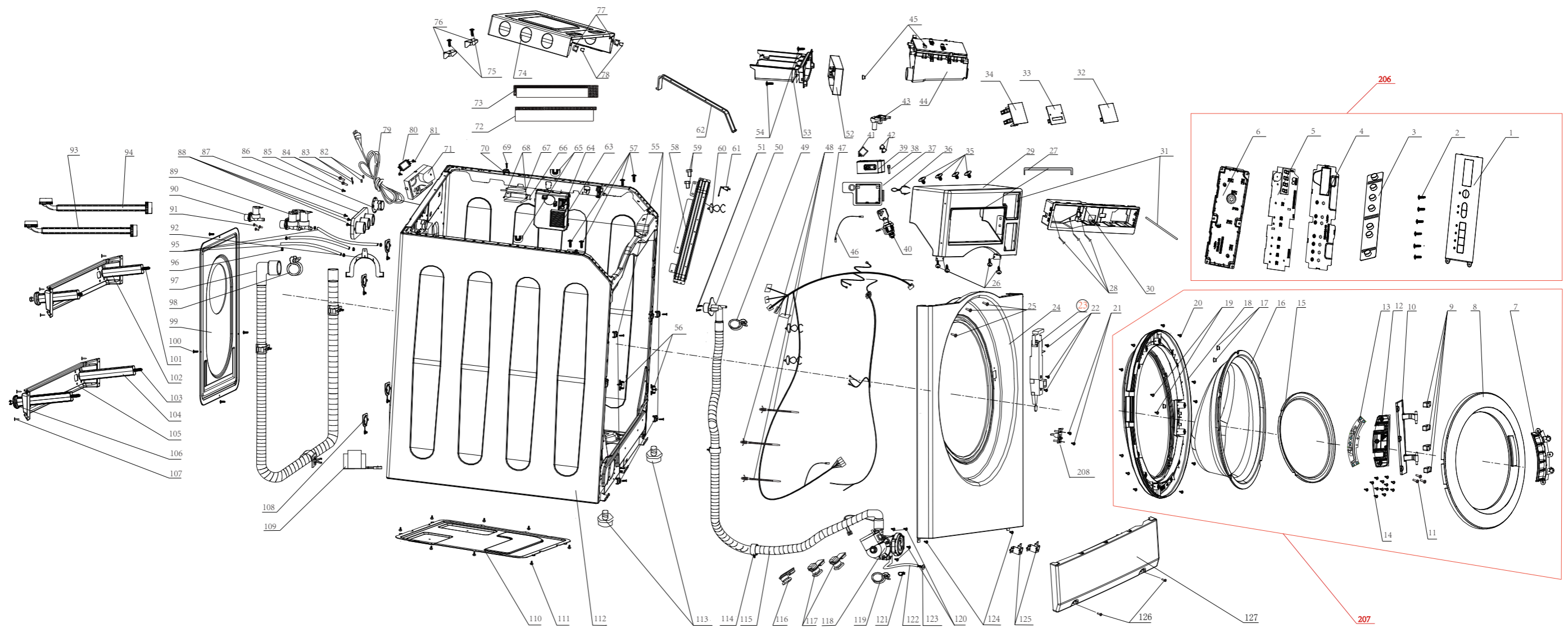
Electrolux
PROFESSIONAL

WE1100P

Installation	Page	Table of content
ELE-001	6	External assembly unit
ELE-002	10	Internal assembly unit Retrofitable kit for washer +
ELE-003	13	dryer
ELE-004	15	Coinbox with lock
ELE-005	17	Electronic coin meter
ELE-006	19	Coin meter

WE1100P

Table of content	Page
External assembly unit	7
Internal assembly unit	11
Retrofitable kit for washer + dryer	14



WE1100P

Illustration

Issue

Month

External assembly unit

ELE-001

1

06 2019

Pos	Part.no	Spare parts description in english	Qty	NOTES
1	0W7Q21	Control Panel Assemble	1	Vital
2	0W7Q22	Fastening Screw (St4.2*12)	6	
3	0W7PTR	Key Pad	1	
4	0W7PTS	Computer Board Box Cover	1	
5	0W7Q23	Display Computer Board	1	Vital
6	0W7PTU	Computer Board Box	1	
7	0W7Q24	Door Handle	1	
8	0W7Q25	Outer Door	1	
9	0W7PRZ	Hinge Bushing	4	Vital
10	0W7Q26	Hinge	1	
11	0W7Q27	Screw	3	
12	0W7Q28	Hinge Seat	1	
13	0W7Q29	Door Hinges Reinforcing Plate	1	
14	0W7PU0	Fastening Screw	13	
15	0W7Q3A	Door Screen	1	
16	0W7Q3B	Glass	1	
17	0W7Q1K	Cover,Rubber	2	
18	0W7Q3D	Inner Frame,Door	1	
19	0W7PXN	Fastening Screw,Door Frame	2	
20	0W7Q3E	Fastening Screw,Door Frame	11	
21	0W7Q3F	Fastening Screw,Door Hook	2	
22	0W7PXN	Fastening Screw,Door Lock	3	
23	0W7Q3G	Lock,Door	1	Vital
24	0W7Q3H	Front Shell	1	Vital
25	0W7Q3I	Fastening Screw,Front Shell	3	
26	0W7PU0	Fastening Screw,Back Panel Cover	4	
27	0W7Q3J	Control Panel Film	1	
28	0W7Q22	Fastening Screw	3	
29	0W7Q3L	Support,Control Panel	1	
30	0W7Q3M	Control Board	1	
31	0W7Q3N	Waterproof Sponge Bar	1	
32	0W7Q3O	Reader Bracket	1	
33	0W7Q3O	Reader Bracket	1	
34	0W7PU2	Coin Box Front Cover	1	
35	0W7Q27	Fastening Screw,Control Panel	4	
36	0W7Q1B	Clamping Piece	2	
37	0W7Q1C	Coin Drop Box	1	
38	0W7Q1D	Fastening Bolt	1	
39	0W7Q1E	Coin Vault	1	Vital
40	0W7Q1F	Lock	1	

WE1100P

Illustration

Issue

Month

External assembly unit

ELE-001

1

06 2019

Pos	Part.no	Spare parts description in english	Qty	NOTES
41	0W7Q1G	Clip	1	
42	0W7Q1G	Clip	2	
43	0W7Q1I	Siphon Cover	1	
44	0W7Q1J	Dispenser Housing	1	
45	0W7Q1K	Plug	1	
46	0W7Q1L	Adapter Cable	1	
47	0W7Q1M	Wiring Harness(Main)	1	Vital
48	0W7Q1N	Support,Wiring Harness	10	
49	0W7Q1O	Clamp(Inner Drain Hose Side)	1	
50	0W7Q1P	Joint,Drain Hose	1	
51	0W7PXN	Fastening Screw,Drain Hose Connector	2	
52	0W7Q1Q	Dispenser Handle	1	
53	0W7Q1R	Dispenser	1	
54	0W7PXN	Fastening Screw,Drain Hose Connector	2	
55	0W7Q1S	Orientation Block	4	
56	0W7Q1S	Orientation Block	2	
57	0W7Q27	Fastening Screw,Top Brace	4	
58	0W7Q1U	Brace,Top Front	1	
59	0W7Q1V	Screw, Coin Vault & Meter Housing Crossover	2	
60	0W7Q7R	Support,Wiring Harness	3	
61	0W7Q1W	Service Switch	1	Vital
62	0W7Q1X	Waterproof Membrane	1	
63	0W7Q1Y	Cover, Doorlock Delay-Unit	1	
64	0W7Q1Z	Delay-Unlock Pcb	1	Vital
65	0W7Q20	Spring Support	2	
66	0W7Q3R	Support,Water Level Sensor	1	
67	0W7Q3S	Water Level Sensor	1	
68	0W7Q3T	Fastening Screw,Water Level Sensor Support	2	
69	0W7Q3U	Fastening Screw,Orientation Block	6	
70	0W7Q1S	Orientation Block	6	
71	0W7Q3V	Driver Pcb	1	Vital
72	0W7Q3W	Film,Water Proof	1	
73	0W7Q3W	Film,Water Proof	1	
74	0W7Q3Y	Top Cover	1	
75	0W7Q27	Fastening Screw,Top Cover	2	
76	0W7Q3Z	Flip Chart	2	
77	0W7Q40	Latch	2	
78	0W7Q41	Shrapnel	2	
79	0W7Q42	Power Cord	1	
80	0W7Q43	Interference Suppressor	1	

WE1100P

Illustration

Issue

Month

External assembly unit

ELE-001

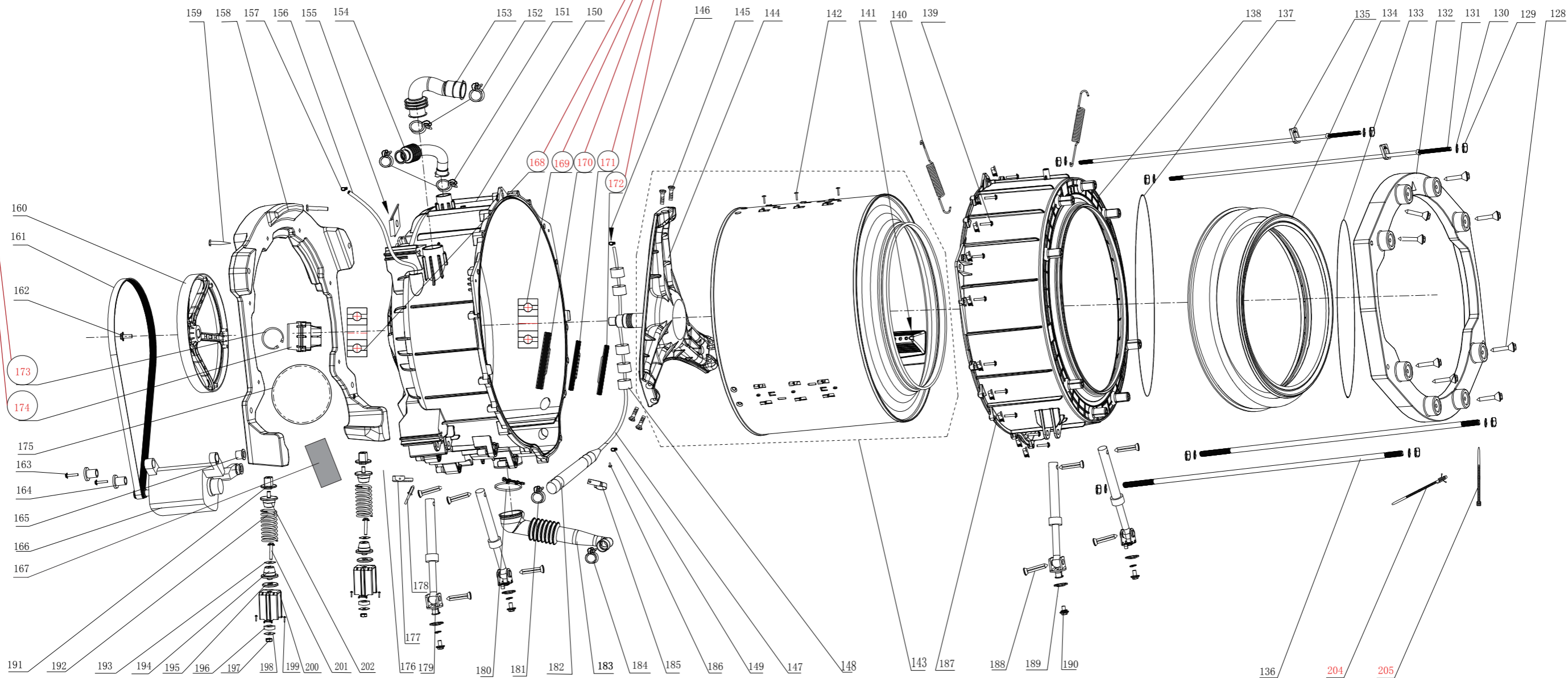
1

06

2019

Pos	Part.no	Spare parts description in english	Qty	NOTES
81	0W7Q3I	Fastening Screw	2	
82	0W7Q45	M5 Nut	2	
83	0W7Q46	Gasket	2	
84	0W7Q47	Copper Screw,Grounding	2	
85	0W7Q27	Fastening Screw,Power Cord	1	
86	0W7Q48	Grid ,Ventilation	1	
87	0W7Q3G	Auto-Supplies Connector	1	
88	0W7Q5A	Fastening Screw,Power Cord	2	
89	0W7Q5B	Inlet Valve,Cold	1	
90	0W7Q5C	Inlet Valve,Hot	1	
91	0W7Q5D	Fastening Screw,Valve	4	
92	0W7Q5E	Drain Pipe Bracket	1	
93	0W7Q5F	Inlet Hose	1	
94	0W7Q5F	Inlet Hose	1	
95	0W7Q5H	Connecting Pipe	3	
96	0W7Q5I	Clamp,Hose	6	
97	0W7Q5J	Drain Hose,Outer	1	
98	0W7Q5K	Clamp,Drain Hose	1	
99	0W7Q5L	Cover,Back Panel	1	
100	0W7PU0	Fastening Screw,Back Panel Cover	4	
101	0W7Q5M	Bolt(Upper),Transport	2	
102	0W7Q5N	Sleeve(Upper),Transport Bolt	2	
103	0W7Q5O	Bolt(Lower),Transport	2	
104	0W7Q5P	Sleeve(Lower),Transport Bolt	2	
105	0W7Q5Q	Brace,Transport	2	
106	0W7Q5R	Washer,Transport Bolt	4	
107	0W7Q27	Fastening Screw,Transport Brace	8	
108	0W7Q5S	Cover,Transport	4	
109	0W7Q5T	Inductance	1	
110	0W7Q5U	Bottom Cover	1	
111	0W7Q5A	Fastening Screw	8	
112	0W7Q5W	Cabinet Assembly	1	
113	0W7Q5X	Foot,Level	4	
114	0W7Q1N	Clip	4	
115	0W7Q5Z	Drain Hose,Inner	1	
116	0W7Q60	Damping Mat	1	
117	0W7Q60	Damping Mat	2	
118	0W7Q62	Pump	1	Vital
119	0W7Q63	Clamp,Drain Hose To Pump	1	
120	0W7PXN	Fastening Screw,Pump	2	
121	0W7Q64	Clamp,Sewage Hose	1	
122	0W7Q65	Hose,Sewage	1	
123	0W7Q66	Cover,Sewage Hose	1	
124	0W7Q67	Fastening Screw,Front Counterweight ;	2	
125	0W7Q68	Cabinet On Stentscabinet On Stents	2	
126	0W7Q67	Fastening Screw	2	
127	0W7Q69	Bottom Ornamental Plate	1	

203



WE1100P

Illustration

Issue

Month

Internal assembly unit

ELE-002

1

06 2019

Pos	Part.no	Spare parts description in english	Qty	NOTES
128	0W7Q67	Fastening Screw,Front Counterweight ;	8	
129	0W7Q7B	M12 Nut	8	
130	0W7Q7C	M12 Washer	8	
131	0W7Q7D	Upper Staff	2	
132	0W7Q7E	Front Counter Weight,	1	
133	0W7Q7F	Fastening Ring,Porthole Gasket Front	1	
134	0W7Q7G	Porthole Gasket,Door	1	Vital
135	0W7Q7H	Draw Spring Support	2	
136	0W7Q7I	Below Staff	2	
137	0W7Q7J	Fastening Ring,Porthole Gasket Rear	1	
138	0W7Q7K	Tub,Front	1	
139	0W7Q7L	Fastening Screw,Tub	18	
140	0W7Q7M	Suspension Spring,Tub	2	
141	0W7Q7N	Baffle,Drum	3	
142	0W7PTA	Fastening Screw,Baffle	9	
143	0W7Q7O	Drum assembly component	1	
144	0W7Q7P	Drum Tri-Piece Assembly	1	
145	0W7Q7Q	Fastening Bolt,Drum Tri-Piece Assembly	6	
146	0W7Q7R	Clamp,Airtrap To Tri-Connection Hose (Airtrap Side)	1	
147	0W7Q7S	Hose,Airtrap To Tri-Connection	1	
148	0W7Q7T	Protection Sponge,Pressure Switch Hose	8	
149	0W7Q7U	Hose,Airtrap To Water Sensor	1	
150	0W7Q7V	Rear Tub	1	
151	0W7Q7W	Clamp , Exhaust Hose	2	
152	0W7Q7X	Clamp,Hopper To Tub Hose	2	
153	0W7Q7Y	Hose,Hopper To Tub	1	
154	0W7Q7Z	Exhaust Hose,Tub To Cabinet	1	
155	0W7Q80	Fastening Plate,Rear Counterweight	6	
156	0W7Q81	Hose,Anti-Siphon	1	
157	0W7Q7R	Clamp , Anti-Siphon Hose	2	
158	0W7Q82	Rear Counterweight	1	
159	0W7Q83	Nut , Fastening Rear Counterweight	6	
160	0W7Q84	Pulley	1	
161	0W7Q85	Belt	1	Vital
162	0W7Q86	Fastening Bolt,Pulley	1	
163	0W7Q87	Fastening Screw,Motor	2	
164	0W7Q88	Motor Spacer,Plastic	2	
165	0W7Q89	Motor Spacer,Rubber	2	
166	0W7Q9A	Motor	1	Vital
167	0W7Q9B	Waterproof Bag	1	

WE1100P

Illustration

Issue

Month

Internal assembly unit

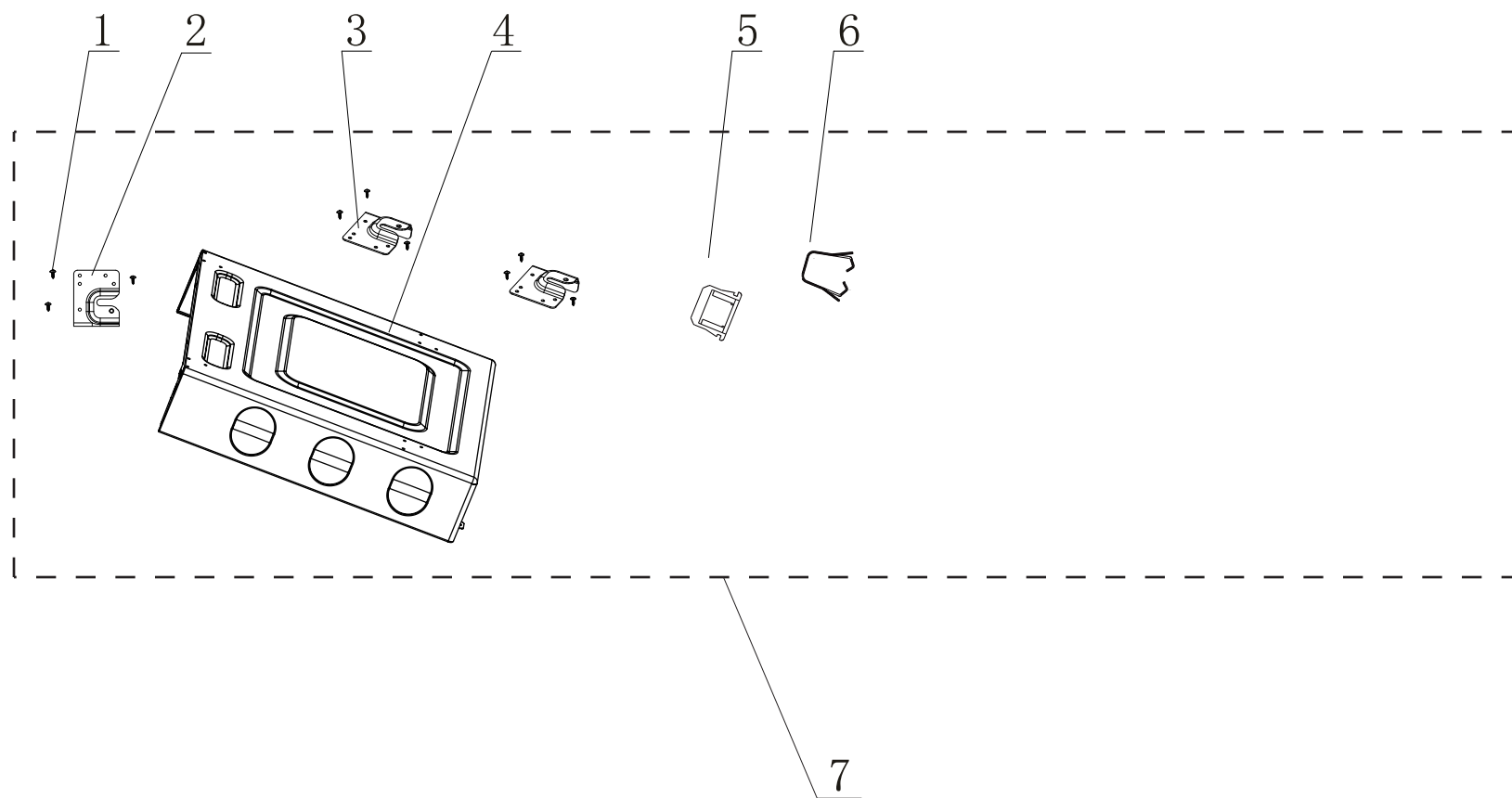
ELE-002

1

06 2019

Pos	Part.no	Spare parts description in english	Qty	NOTES
168	0W7Q9C	Bearing 6307-2Z	1	
169	0W7Q9D	Bearing 6306-2Z	1	
170	0W7Q9E	Searing 1 42 - 98 - 12	1	
171	0W7Q9F	Searing 2 42 - 90 - 8	1	
172	0W7Q9G	Searing 3 42 - 86 - 8	1	
173	0W7Q9H	Bearing Retainer-N/A--	1	
174	0W7Q9I	Bearing Support - Cast Iron	1	
175	0W7Q9J	Outer Cylinder Seal Ring-N/A	1	
176	0W7Q9K	Heating Tube	1	Vital
177	0W7Q9L	Heating Pipe Support	1	
178	0W7PVP	Rivet	1	
179	0W7Q9M	Back - Shock Absorber Assembly	4	Vital
180	0W7Q9N	Clamp,Tub To Pump Hose(Tub Side)	1	
181	0W7Q9O	Clamp,Airtrap(Tub To Pump Hose Side)	1	
182	0W7Q9P	Airtrap	1	
183	0W7Q9Q	Hose,Tub To Pump	1	
184	0W7Q9R	Clamp,Tub To Pump Hose(Pump Side)	1	
185	0W7Q9S	Fastening Clamp,Airtrap	1	
186	0W7Q5A	Fastening Screw,Airtrap Clamp	1	
187	0W7Q9T	Nut	18	
188	0W7Q9U	Plastic Pin,Shock Absorber	8	Vital
189	0W7Q9V	Washer,Shock Absorber Support	4	
190	0W7Q9W	Fastening Bolt,Shock Absorber Support	4	
191	0W7Q9X	Compress Spring Upper Gasket	2	
192	0W7Q9Y	Compress Spring	2	
193	0W7Q9Z	M8 Washer	2	
194	0W7RA0	Compress Spring Leader (Below)	2	
195	0W7RA1	Compress Spring Below Gasket (Upper)	2	
196	0W7RA2	Compress Spring Below Gasket (Below)	2	
197	0W7PXI	M8 Nut	2	
198	0W7Q9Z	M8 Washer	2	
199	0W7Q9W	Fastening Bolt , Support	6	
200	0W7RA3	Compress Spring Support	2	
201	0W7RA4	Fastening Bolt , Spring Leadert	2	
202	0W7RA5	Compress Spring Leader (Upper)	2	
203	0W7RA6	Rear Tub Assembly	1	Vital
204	0W7PU3	Support,Wiring Harness	6	
205	00221150320000	Support,Wiring Harness	3	
206	0W7RG2	Control Assemble	1	
207	0020807698H	Door Assemble	1	
208	0W7XDY	Door hook	1	

Retrofit kit for washer + dryer



WE1100P

Retrofitable kit for washer + dryer

Illustration

ELE-003

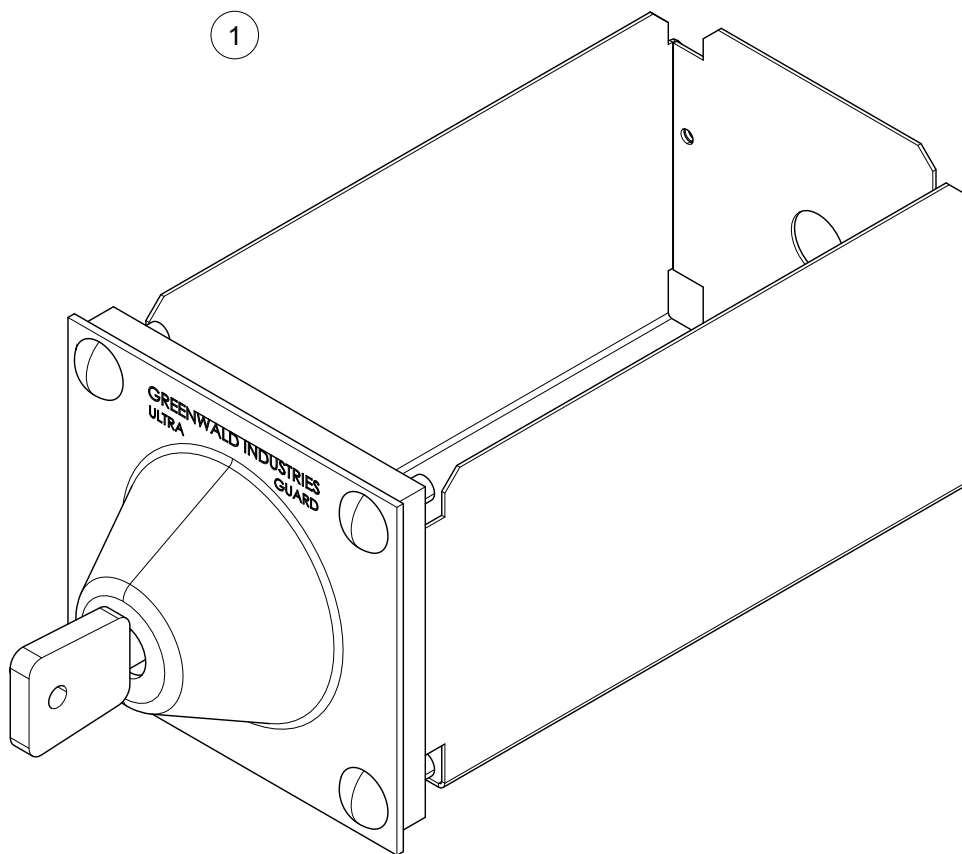
Issue

1

Month

06 2019

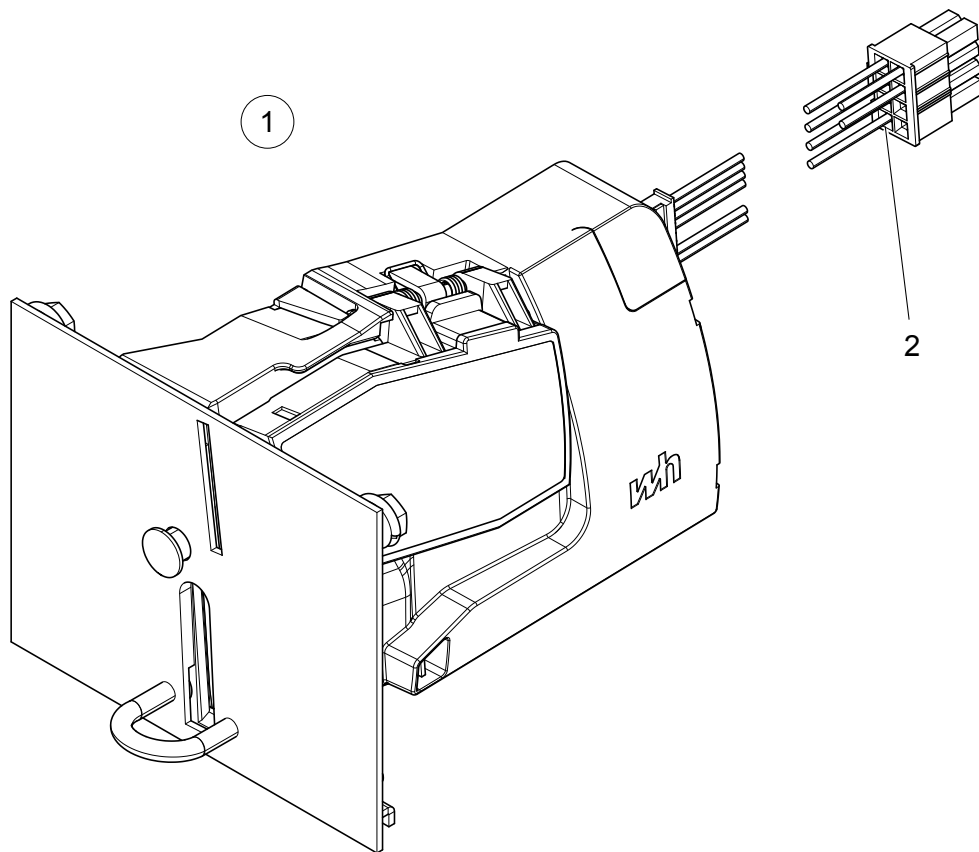
Pos	Part.no	Description	Qty	Notes
1	0W7PU0	SCREW,M3.5*12	12	
2	0W7PZH	BRACKET,STACK,RIGHT	2	
3	0W7PZI	BRACKET,STACK,LEFT	2	
4	0W7RA7	PANEL,STACKING,TOP	1	
5	0W7Q40	Latch	2	
6	0W7Q41	Shrapnel	2	
7	0W7RA9	RETROFITABLE KIT FOR DRYER + WASHER	1	the stack spare parts package



A11COINMTR
Coin box with lock
Myntlåda med lås

Illustration	Issue	Month	
Illustration	Utgåva	Månad	
500797/1	1	10	2019

Pos	Qty	Part.no	Description	Beskrivning	Notes
1	1	487169493	Casing	Höjle	

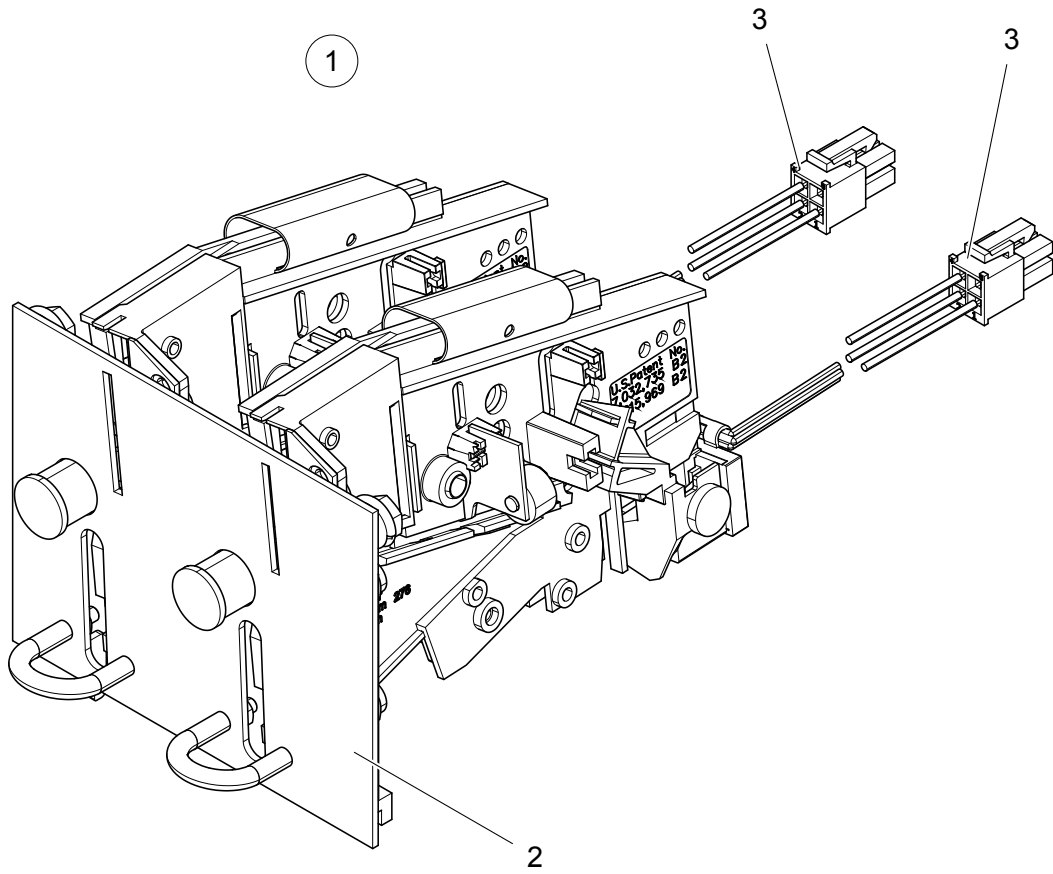


500798_01

A11COINMTR
Electronic coin meter
Elektronisk myntmätare

Illustration	Issue	Month	
Illustration	Utgåva	Månad	
500798/1	1	10	2019

Pos	Qty	Part.no	Description	Beskrivning	Notes
1	1	438894401	Electronic coin meter	Elektronisk myntmätare	Euro+GBP
1	1	438894402	Electronic coin meter	Elektronisk myntmätare	JPY+NZD+AUD
1	1	438894403	Electronic coin meter	Elektronisk myntmätare	THB+MYR+SGD
1	1	438894404	Electronic coin meter	Elektronisk myntmätare	Euro+CHF
1	1	438894405	Electronic coin meter	Elektronisk myntmätare	Scandinavia
1	1	438894406	Electronic coin meter	Elektronisk myntmätare	PLN+CRO+HUN
1	1	438894407	Electronic coin meter	Elektronisk myntmätare	CNY+HKD+TWD
2	1	413327484	Cable set	Ledningsatts	



500799_01

A11COINMTR**Coin meter****Myntmätare**

Illustration

Illustration

500799/1

Issue

Utgåva

2

Month

Månad

1

2021

Pos	Qty	Part.no	Description	Beskrivning	Notes
1	1	438894501	Coin meter	Myntmätare	1 GBP x 2
1	1	438894502	Coin meter	Myntmätare	1 Euro x 2
1	1	438894503	Coin meter	Myntmätare	Token Wa 4 x 2
1	1	438894504	Coin meter	Myntmätare	0.5 + 1 GBP
1	1	438894505	Coin meter	Myntmätare	0.5 + 1 Euro
1	1	438894507	Coin meter	Myntmätare	1 AUD x 2
2	1	471900996	Label	Etikett	
3	1	413327485	Cable set	Ledningssats	

Numerical index/Nummer register

Part.no/Part.no	Page/Sida	Part.no/Part.no	Page/Sida	Part.no/Part.no	Page/Sida	Part.no/Part.no	Page/Sida
413327484	18						
413327485	20						
438894401	18						
438894402	18						
438894403	18						
438894404	18						
438894405	18						
438894406	18						
438894407	18						
438894501	20						
438894502	20						
438894503	20						
438894504	20						
438894505	20						
471900996	20						
487169493	16						



Electrolux Professional AB
341 80 Ljungby, Sweden. Telephone +46 372 661 00. Telefax +46 372 133 90

Share more of our thinking at <https://professional.electrolux.com>