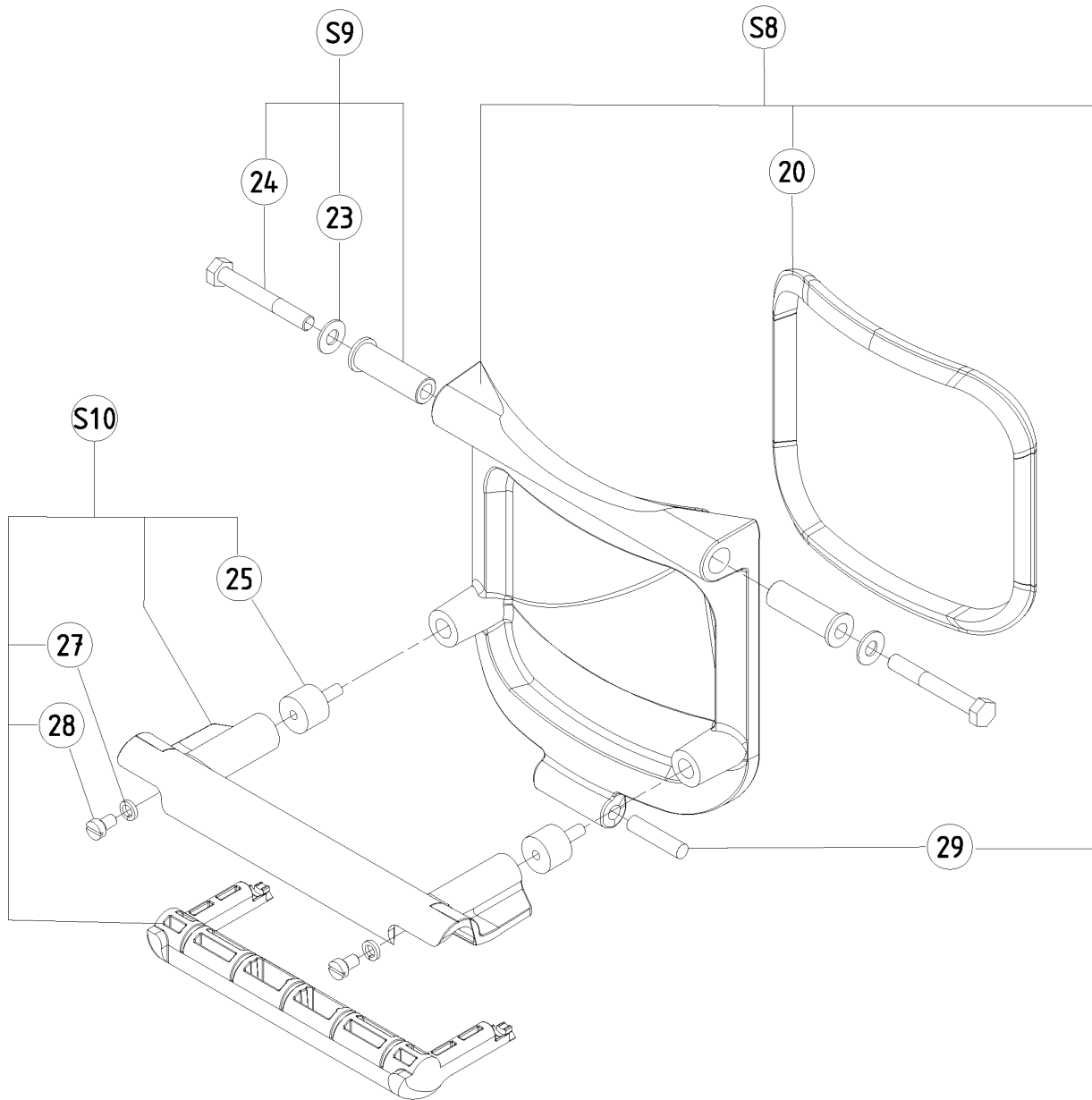


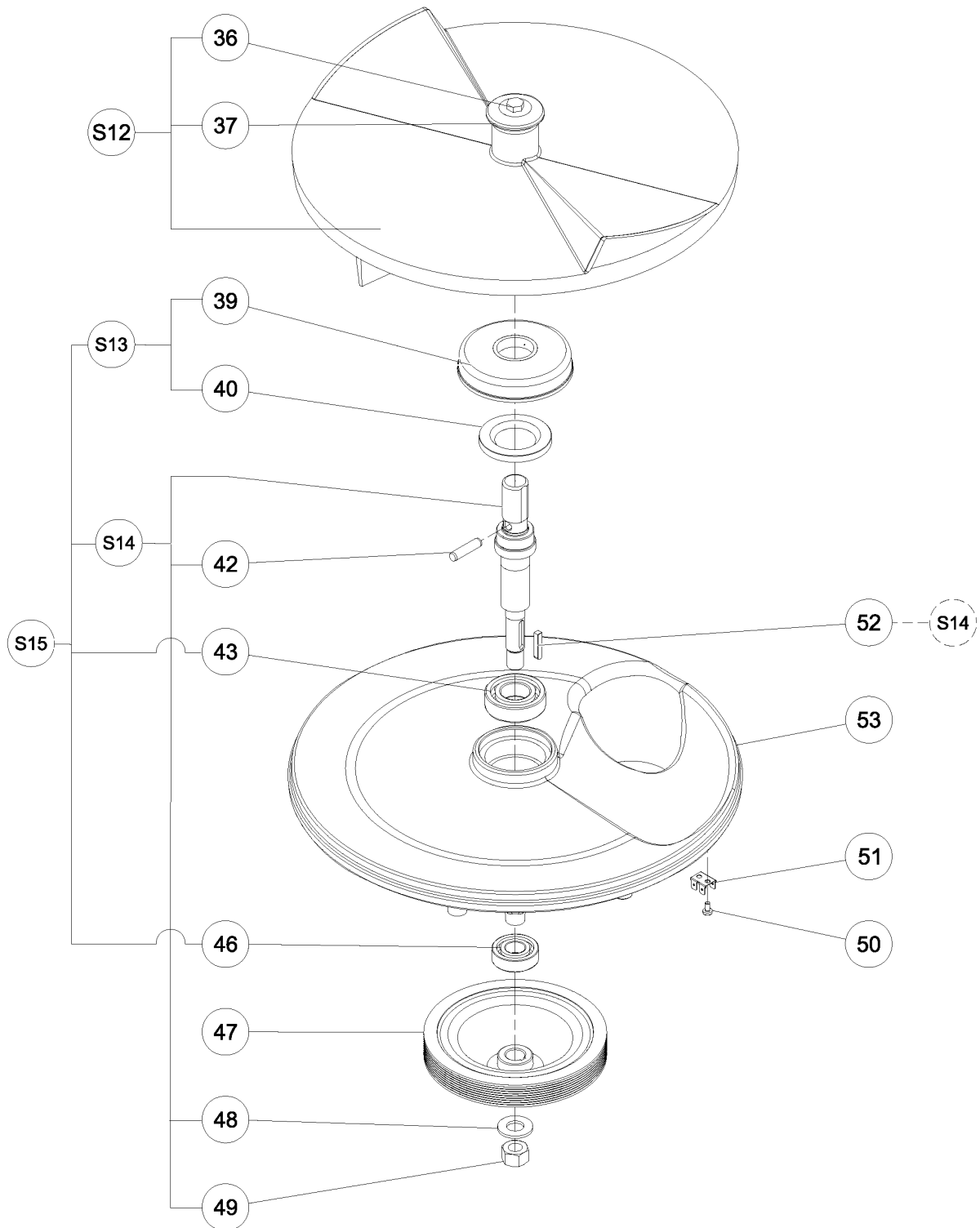
**Vue éclatée S/E Porte / Exploded view door S/A /
Explosionszeichnung ZB Tür / Esploso Porta / Despiece_____**



?????? 603342
 ?????? SPT10ET15E ???????? 2 Exploded view door S/A

.		Alias		S			.		(Euro)
0020	0D5271			S				DOOR GASKET; CPL -T10E-T15E	67,74
0023	0D0632							WASHER CS M8 (SET OF 10 PCS)	20,88
0024	0D5273							SCREW; TH 8*60; 10 PCS	38,26
0025	0D5275			S				MIXED THRUST; DIA 20*15 M6; 2 PCS	32,52
0027	0D0530							WASHER; 10 PCS	18,72
0028	0D5276							SCREW; TC M6*10 T10-15E; 10 PCS	20,88
0029	0KJ062			S	A			MAGNET; 8X35	9,90
00S8	0D5272			S				DOOR ASSEMBLY; T10 T15	269,76
00S9	0D5274			S				HINGE SHAFT; DOOR; 2 PCS	44,11
0S10	0D5277			S				DOOR HANDLE; CPL; T10-15E	48,19

Vue éclatée Mécanisme / Exploded view Mechanism / Explosionszeichnung Getriebe



D

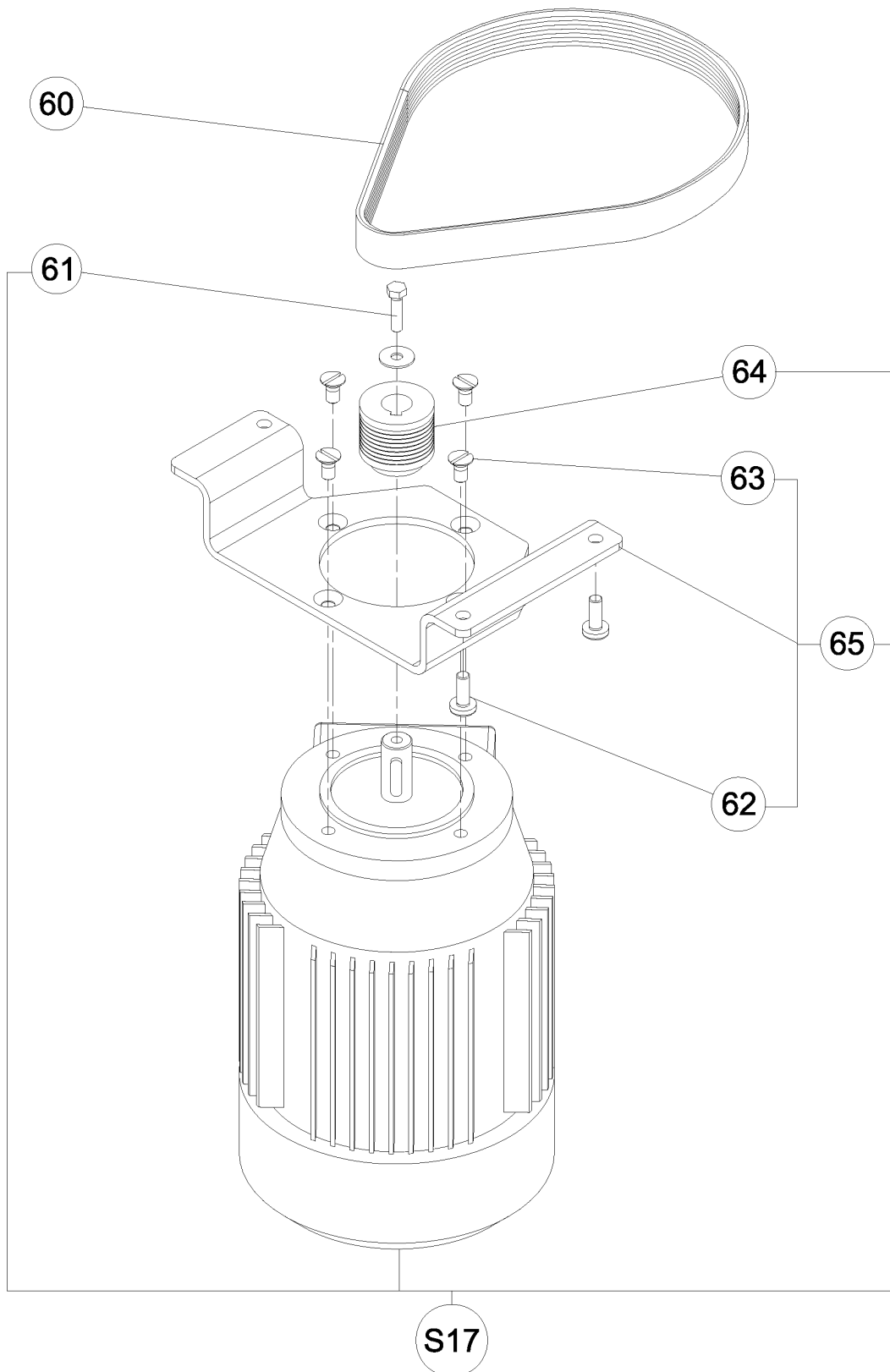
T10E/T15E FR 05 06

?????? 603342

?????? SPT10ET15E ???????? 4 Exploded view Mechanism

.		Alias		S			.		(Euro)
0036	0D0507			S				SCREW; 10 PCS	23,83
0037	0KQ664							WASHER	8,37
0039	0D5278							DEFLECTOR; T10E	6,52
0040	0D3533			S				LIPPED SEAL 35X62X7 (SET X5)	36,48
0042	0KJ011			S	A			COTTER PIN FOR DRIVE SHAFT	51,34
0043	0K0394							HEATING BAR	
0046	0KJ007			S	A			BALL BEARING; 6203 2 RS	4,41
0047	0D5280							DRIVEN PULLEY; 50HZ T10/ T15E	83,01
0047	0D5281								
0048	0D0535							WASHER; 10 PCS	21,12
0049	0D0588							NUT; 10 PCS	22,69
0050	0D5282				D			SCREW; SELF-THREADING M4*8 T10E; 10 PCS	21,64
0051	0D3567				D			BRASS EARTH TERMINAL (SET X5)	19,80
0052	0KL111							WEDGE; 10 PCS	25,51
0053	000000								
0S12	653058							WASHING PLATE FOR 10/15KG VEG.PEELER	485,20
0S12	653184							ABRASIVE PL.-SMALL ONIONS-10/15KG PEELER	512,00
0S12	653203							ABRASIVE PLATE FOR 10/15KG VEG.PEELER	412,40
0S12	653204							KNIFE PLATE FOR 10/15 VEG.PEELER	640,00
0S12	653205							ABRASIVE PL.-LARGE ONIONS-10/15KG PEELER	512,00
0S12	653208							DRYING BASKET FOR 10KG VEGETABLE PEELER	386,70
0S12	653209							DRYING BASKET FOR 15KG VEGETABLE PEELER	386,70
0S12	653620							S/S SEASHELL PLATE - 10/15KG VEG.PEELERS	646,00
0S13	0D5283							DEFLECTOR; CPL; T10-15E	37,53
0S14	0D5212				D			SHAFT; ASSY	104,55
0S15	0D5284			S				MECHANISM; CPL; T10-15E	126,48

Vue éclatée Moteur / Exploded view Motor / Explosionszeichnung motor / Esploso motore/ Despiece motor _____

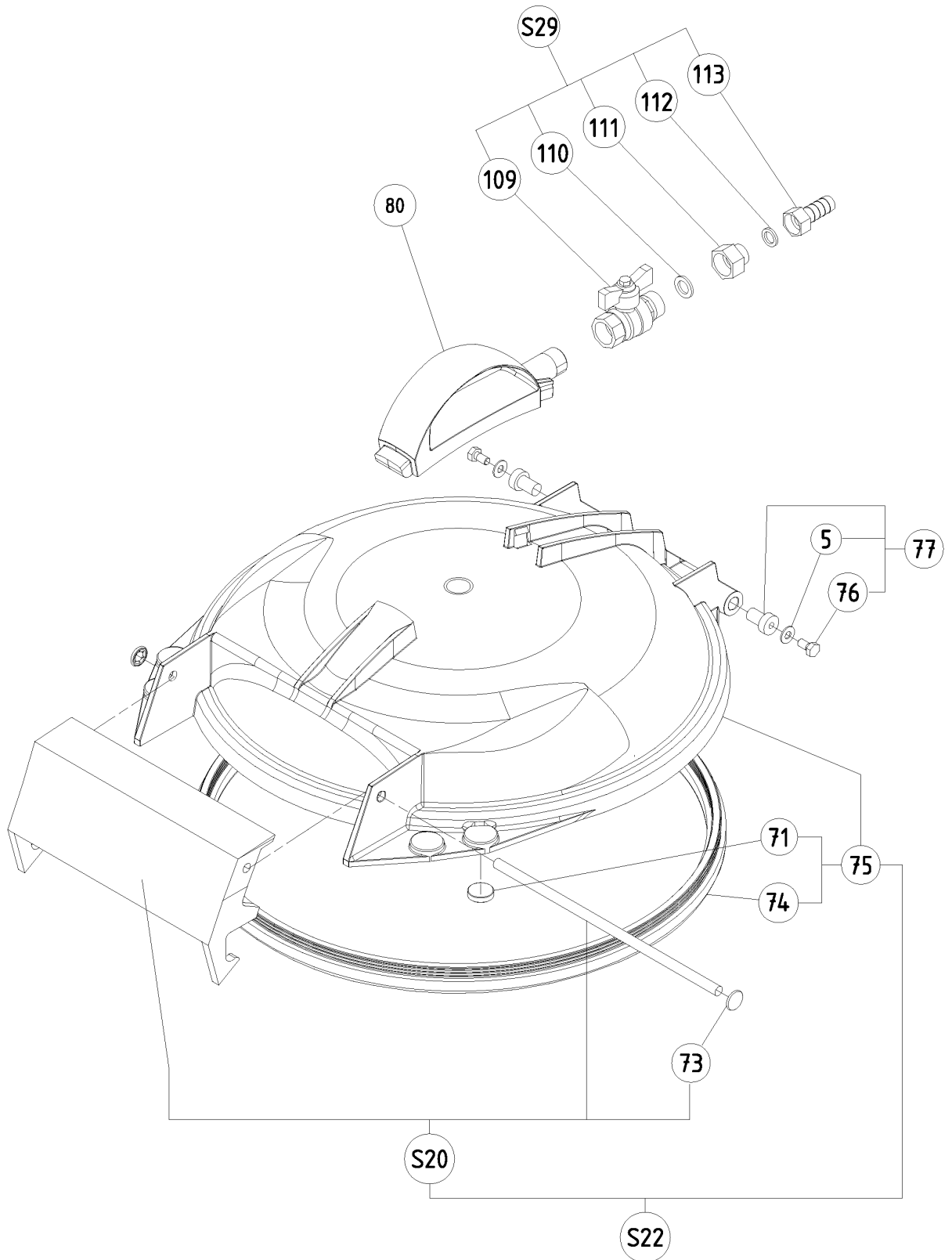


H

T10E/T15E FR 09 05

??????	603342								
??????	SPT10ET15E	???????? 8					Exploded view Motor		
.		Alias		S			.		(Euro)
0060	0D5279			S				BELT; 569 J8	19,45
0061	0D0501							WASHER; 10 PCS	20,13
0061	0KQ407							SCREW; 10 PCS	20,01
0062	0D3333							TAPTITE SCREW TORX; SET 10PCS:M6X16	23,53
0063	0U0669				D			SCREW (SOLD SINGLY)	20,88
0064	0D5285							DRIVING PULLEY; 50HZ T10/ T15E	24,15
0064	0D5286								
0065	0D5287				D			SUPPORT; MOTOR; CPL; T10-15E	59,80
0S17	0D5338							MOTOR; 220/240 50/60 EQ T10E	489,25
0S17	0D5344							MOTOR; 230/400 50/60 EQ T10E	262,44
0S17	0D5345				D			MOTOR; 115 60 EQ T10E/T15E	615,94

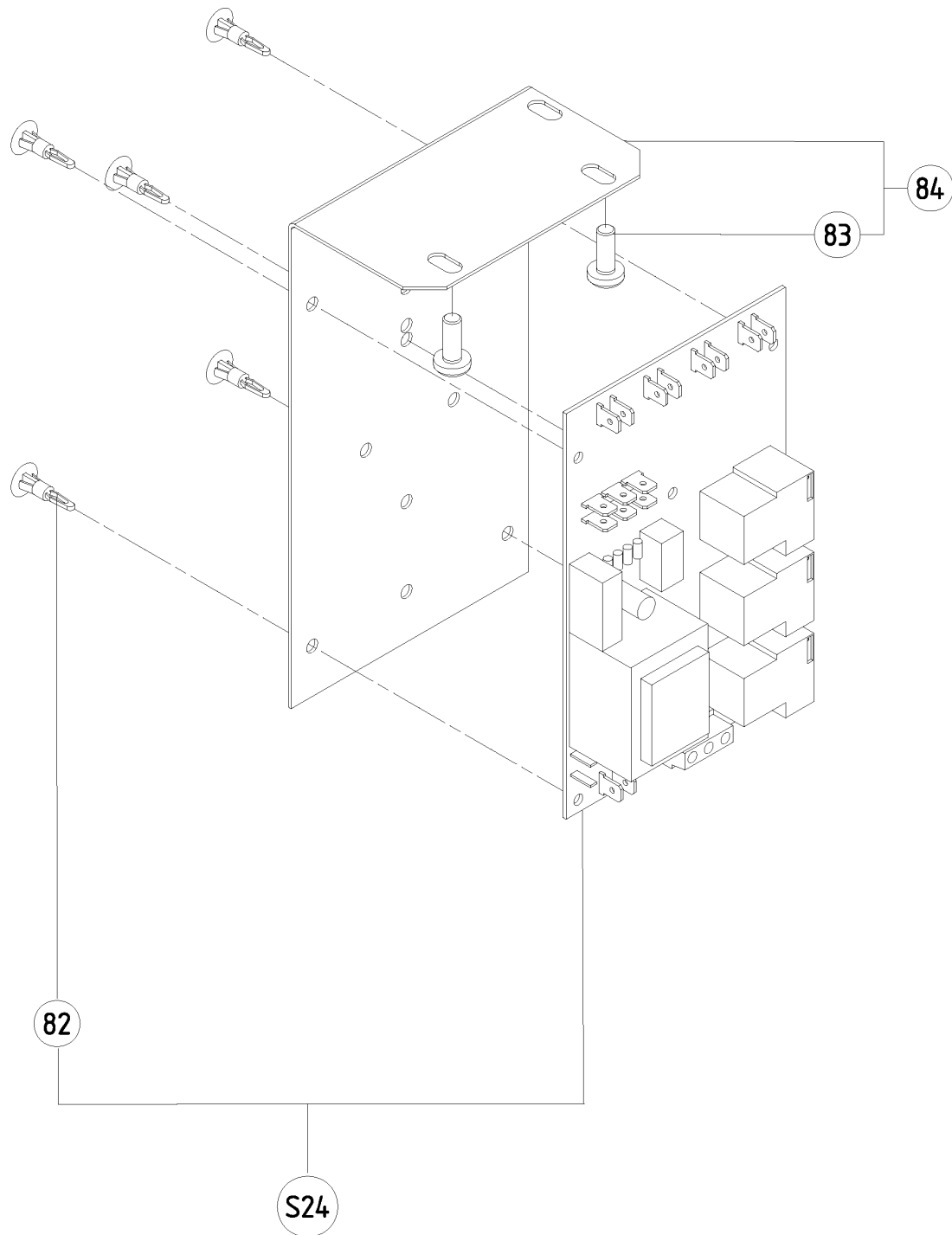
**Vue éclatée Couvercle / Exploded view Lid/
 Explosionszeichnung Deckel/ Esploso Coperchio /
 Despiece Tapa**



?????? 603342
 ?????? SPT10ET15E ????????? 10 Exploded view Lid

.		Alias		S		.		(Euro)
0005	0D0624					Kit	WASHER; SET 10PCS	4,09
0071	0D5110						MAGNET; 20*5 NEODYMIUM	25,40
0073	0D5290						CLIP; DIA. 8; 10 PCS	31,16
0074	0D5292			S			LID GASKET; T10E/T15E	60,33
0075	0D5293			S			LID; CPL; T10-15E	209,09
0076	0KQ494						SCREW; 10 PCS	20,88
0077	0D1306			S			T10/T15 COVER HINGE	23,00
0080	0D2998			S	A		WATER SUPPLY HOSE	35,34
0109	0KQ294						WATERINLET	34,51
0110	0D5294						GASKET; RUBBER 18*11*2; 10 PCS	32,83
0111	0D5613				D		REDUCER; MALE/FEMELLE MALE RED 15/12	5,45
0112	0D5614				D		GASKET; CAOUTCHOUC 10X15X2 (JEUX10)	25,93
0113	0D5615				D		RING NUT; D12	9,25
0S20	0D5291						HANDLE; LID: CPL; T10E	48,51
0S22	0D5296			S			LID; CPL; T10/15E	196,52
0S29	0D5611			S			BALL VALVE; EQ T10E	58,75

**Vue éclatée Platine/ Exploded view Power card/
Explosionszeichnung platine/ Esploso Scheda/
Despiece platina**



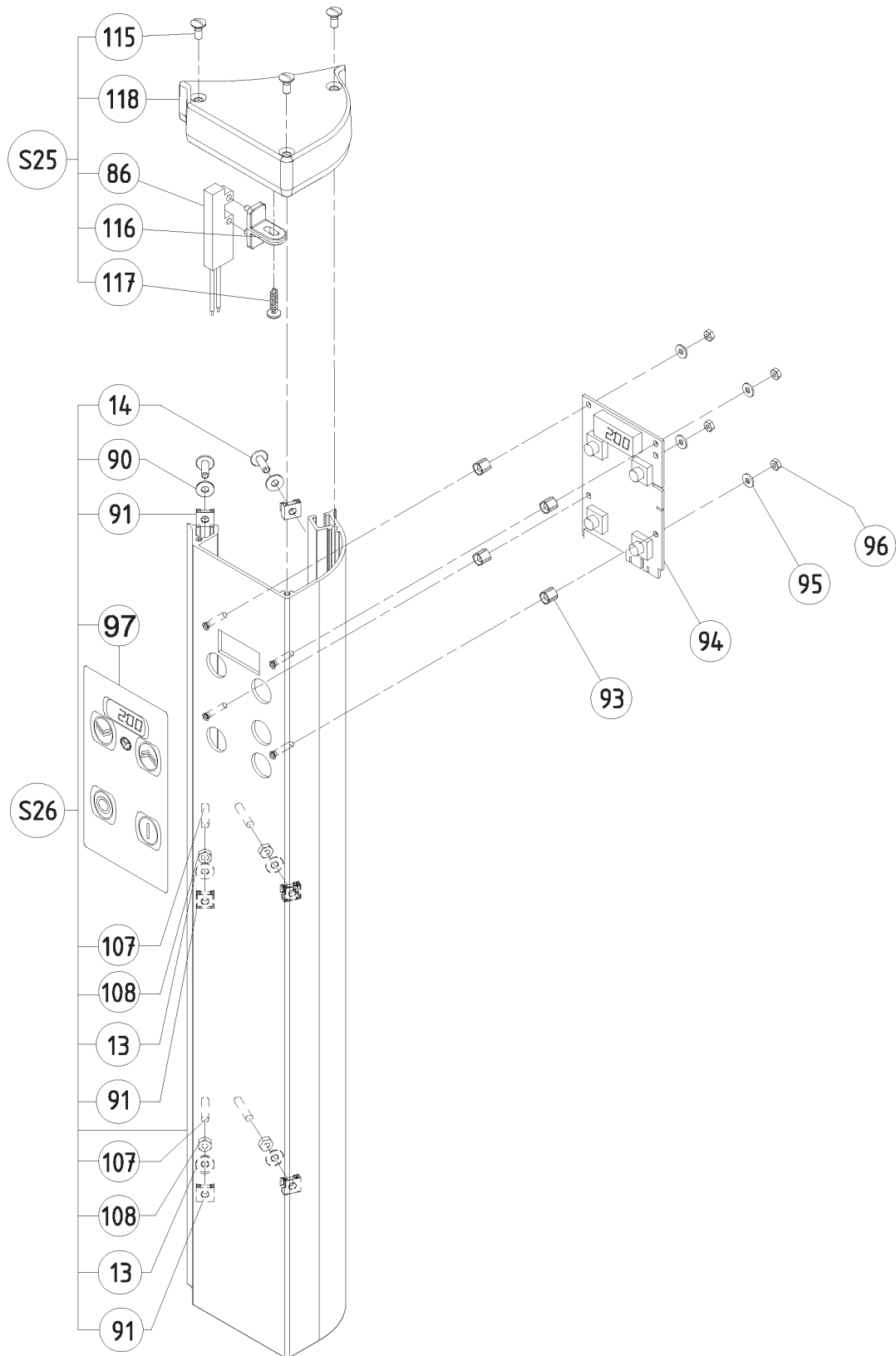
L

T10E/T15E FR 09 05

?????? 603342
 ?????? SPT10ET15E ????????? 12 Exploded view Power card

.		Alias		S			.			(Euro)
0082	0D2848								PRINTED CIRCUIT FIXING SPACER (SET X6)	22,47
0083	0D3333								TAPTITE SCREW TORX; SET 10PCS;M6X16	23,53
0084	0D5297				D				SUPPORT; CIRCUIT; CPL; T10-15E	43,70
0S24	0D3524			S					POWER CARD III ASSY PEELER	153,68
0S24	0D3525			S					POWER CARD I ASSY PEELER	175,62

**Vue éclatée Boitier commande/ Exploded view control unit/
Explosionszeichnung Steuergehäuse/ Esploso Quadro
Comandi/ Despiece Caja de Mandos**

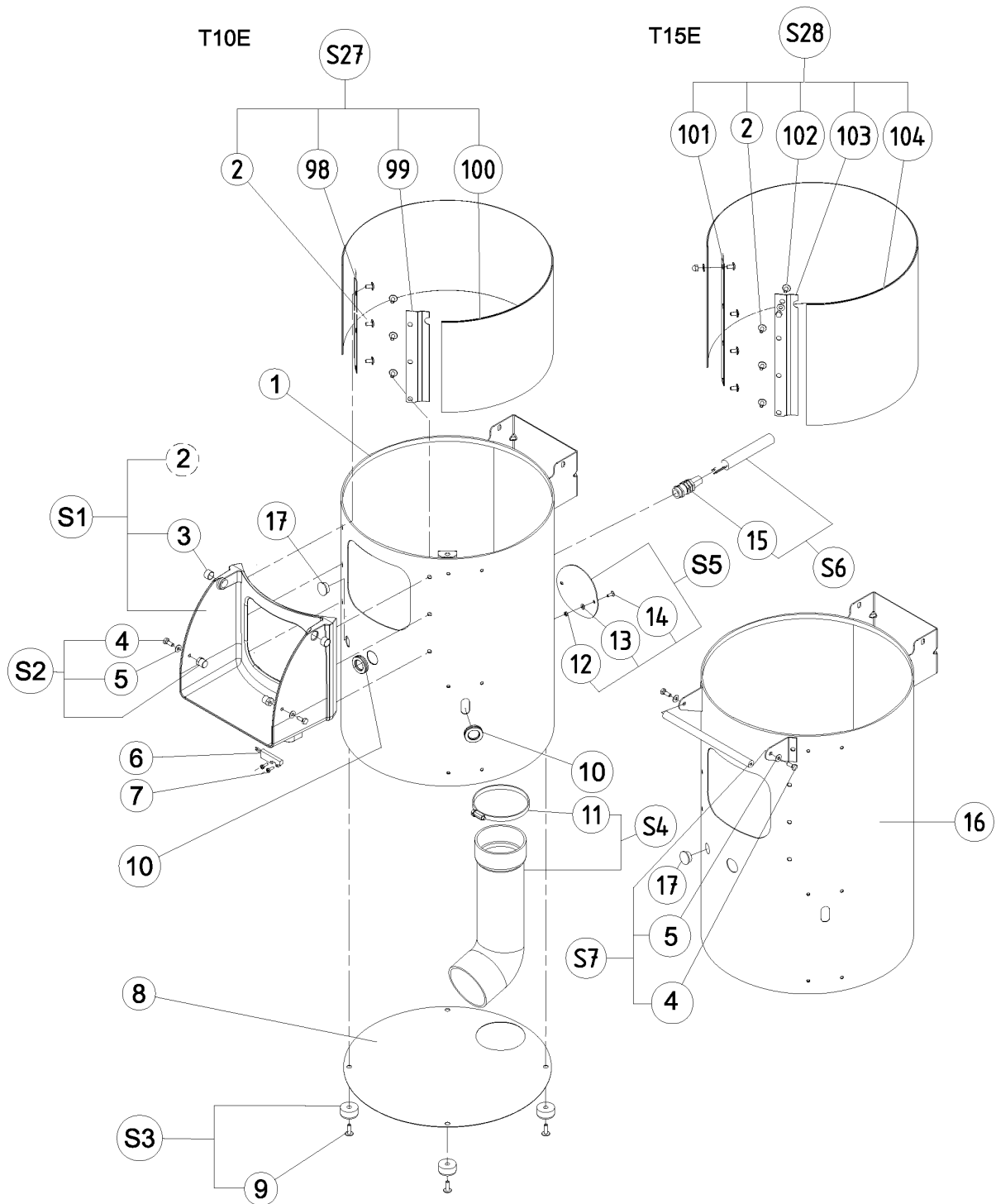


N

T10E/T15E FR 10 09

??????	603342								
??????	SPT10ET15E	???????? 14					Exploded view control unit		
.		Alias		S		.			(Euro)
0086	0D2670	24181					RELAY PLA ASSY ELX65		59,80
0090	0D5137						WASHER; PE 4.5*10*1; PCS 10		21,85
0091	0D1021				D		NUT; 10 PCS		23,83
0093	0D5190						SPACER; 10 PCS		23,83
0094	0D5299								
0095	0D5188						WASHER; PE M3; 10 PCS		22,27
0096	0D5404	33987	033987				NUT; HU M3 (JEU10)		
0097	0D5302						PLAQUE; TABLEAU BORD T10E		38,16
0097	0D5303						PLATE;TABLEAU BORD T15E		43,81
0107	0D5612				D		SCREW; SHC M4X25 (JEU X10)		22,27
0108	0KL159						NUT; 10 PCS		18,92
0115	0D3335						SCREW PT WN K40/12 XBE5 SET X10		22,47
0116	0D5517						SUPPORT; SECURITE TRK2		24,88
0117	0D1009						SCREW; 10 PCS		21,22
0118	0D5852						SUPPORT; SECURITE COUVERCLE NM		5,45
0S25	0D5300		0D7465				SUPPORT; SAFETY LID; CPL; T10E		
0S26	0D5208						GUIDE; CONTROL SUPPORT EQ		396,24
0S26	0D5301				D		GUIDE; CONTROL SUPPORT; CPL; T10E		159,96

Vue éclatée virole / Exploded view Shell / Explosionszeichnung Ring



P

T10E/T15E FR 05 06

??????	603342								
??????	SPT10ET15E	???????? 16	Exploded view Shell						
.		Alias		S		.			(Euro)
0001	0D5587				D			VIROLA; NM T10E	847,69
0002	0D1017							SCREW; 10 PCS	22,27
0003	0D1007				D			5 PCS SLEEVE 14X16X10	16,96
0004	0D0499							SCREW; SET 10PCS; M6X16 INOX	20,66
0005	0D0624					Kit		WASHER; SET 10PCS	4,09
0006	0D6061		0D5191					PLA + BOITIER 2V (GAINÉ UL)	
0007	0D2851							TAPTITE SCREW CX 4X12 ZN (SET X10)	
0008	0D5269							BOTTOM PLATE; CPL T10E T15E	59,38
0009	0U0237							SCREW; 10 PCS	23,10
0010	0D3031				D			GROMMET 21X26X2 (SET X 10)	31,67
0011	0D2891							COLLAR 80-100 T10/T15S SETX5	38,37
0012	0KL159							NUT; 10 PCS	18,92
0013	0D0631					Kit		WASHER; SET 10PCS	5,54
0014	0D0532							SCREW; 10 PCS	19,91
0015	0D2073							STUFFING BOX ASSY PL-CD4/8/13	50,60
0016	0D5609				D			VIROLA; NM T15E	900,22
0017	0D0892				D			PLUG; 4 PCS	22,69
0098	000000								See S27
0099	000000								See S27
00S1	0D5610				D			SUCTION MOUTH; NM T10E/ T15E	279,13
00S2	0D1605							PIN; KIT 2 PCS	31,99
00S3	0D5224							FOOT; 4 PCS; EQ T10S	27,49
00S4	0U0406							OUTLET PIPE ASSY FOR PEELER	52,90
00S5	0D2608				D			SHUTTER ASSY T10/T25E	41,40
00S6	0D2667							PWR SPPLY CABLE THREE PH ASSY ELX65	39,73
00S6	0D5196				D			CABLE; 1PH EQ ELX65	39,10
00S6	0D5824				D			CABLE; MONO US EQ T10E/ T15E	37,21
00S7	0D5270				D			COVER AXEL; CPL; T10-T15E	38,16
0100	000000								See S27
0101	000000								See S28
0102	0D0583							SET OF 10 PCS BLIND NUTS M6	25,93
0102	0D0601							SCREW; 10 PCS	23,10
0102	0D0624					Kit		WASHER; SET 10PCS	4,09
0103	000000								See S28
0104	000000								See S28
0S27	0D5738							ENSEMBLE ABRASIF; T10E	208,06

??????	603342								
??????	SPT10ET15E	???????? 16	Exploded view Shell						
.		Alias		S			.		
0S28	0D5739							ENSEMBLE ABRASIF; T15E	(Euro) 219,60