

WE225MP, FLE225FC

Washer extractor

Tvättmaskin

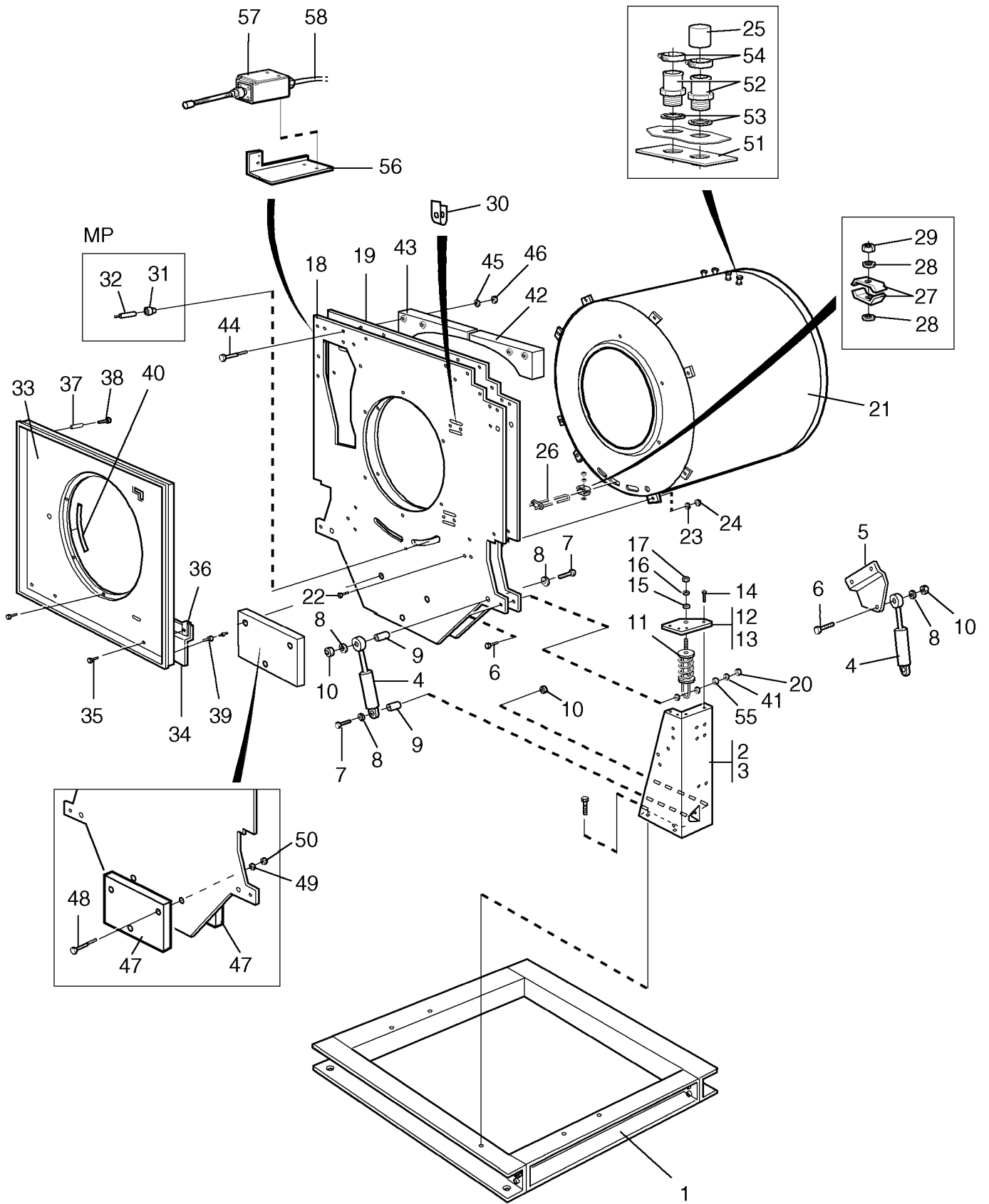
List of issues

EX50S,FLE225FC,FLE225FC, Aqua Clean,HS2220E,HS2220MP,HS2220MP Aqua Clean

Illustration	Page	Table of contents
100046	57	Inlet valve 3/4", 3-way
100568	59	Inlet valve 1/2", 3/4", 1", 1 1/4", 2"
100666	63	Electronic coin meter
101346	15	Suspension
101356	27	Coin meter components
101366	65	Detergent container
101398	53	Level tube and test tap
101624	23	Control panel
101625	33	Motor control
101626	39	Water connections
101634	29	Control unit
101635	31	Control unit
101636	43	Electric components
101637	47	Door locking device
101638	25	Control panel
101640	45	Door locking system
101641	21	Motor bracket and motors
101642	35	Drain valve and hoses
101644	9	Base and outer drum
101648	13	Lining and top panel
101649	19	Door and hinged joint
101651	41	Electric components
101652	49	Steam components
101653	51	Spray system
101657	17	Back plate with inner drum, bearing, pulley
101666	55	Weighing device
101794	37	Drain valve

EX50S,FLE225FC,FLE225FC, Aqua Clean,HS2220E,HS2220MP,HS2220MP Aqua Clean

Table of contents	Innehållsförteckning	Page/Sida
Base and outer drum	Stativ och yttertrumma	9
Lining and top panel	Klädselplåtar och topplock	13
Suspension	Fjäderelement	15
*Back plate with inner drum, bearing, pulley	Bakgavel med innertr,lagring,remskiva	17
Door and hinged joint	Lucka och gångled	19
Motor bracket and motors	Motorhylla och motorer	21
Control panel	Manöverpanel	23
Control panel	Manöverpanel	25
Coin meter components	Myntmätardetaljer	27
Control unit	Automatenhet	29
Control unit	Automatenhet	31
Motor control	Motorstyrning	33
Drain valve and hoses	Avloppsventil och slangar	35
Drain valve	Avloppsventil	37
Water connections	Vattenanslutningar	39
Electric components	Elkomponenter	41
Electric components	Elkomponenter	43
Door locking system	Lucklåssystem	45
Door locking device	Lucklås	47
Steam components	Ångdetaljer	49
Spray system	Spraysystem	51
Level tube and test tap	Nivårör och provtagningskran	53
Weighing device	Vågenhet	55
Inlet valve 3/4", 3-way	Tilloppsventil 3/4",3-vägs	57
Inlet valve 1/2", 3/4", 1", 1 1/4", 2"	Tilloppsventil 1/2",3/4",1",1 1/4",2"	59
Electronic coin meter	Elektronisk myntmätare	63
Detergent container	Tvättmedelsbehållare	65



EX50S,FLE225FC,FLE225FC, Aqua Clean,HS2220E,HS2220MP,HS2220MP Aqua Clean,WE225MP

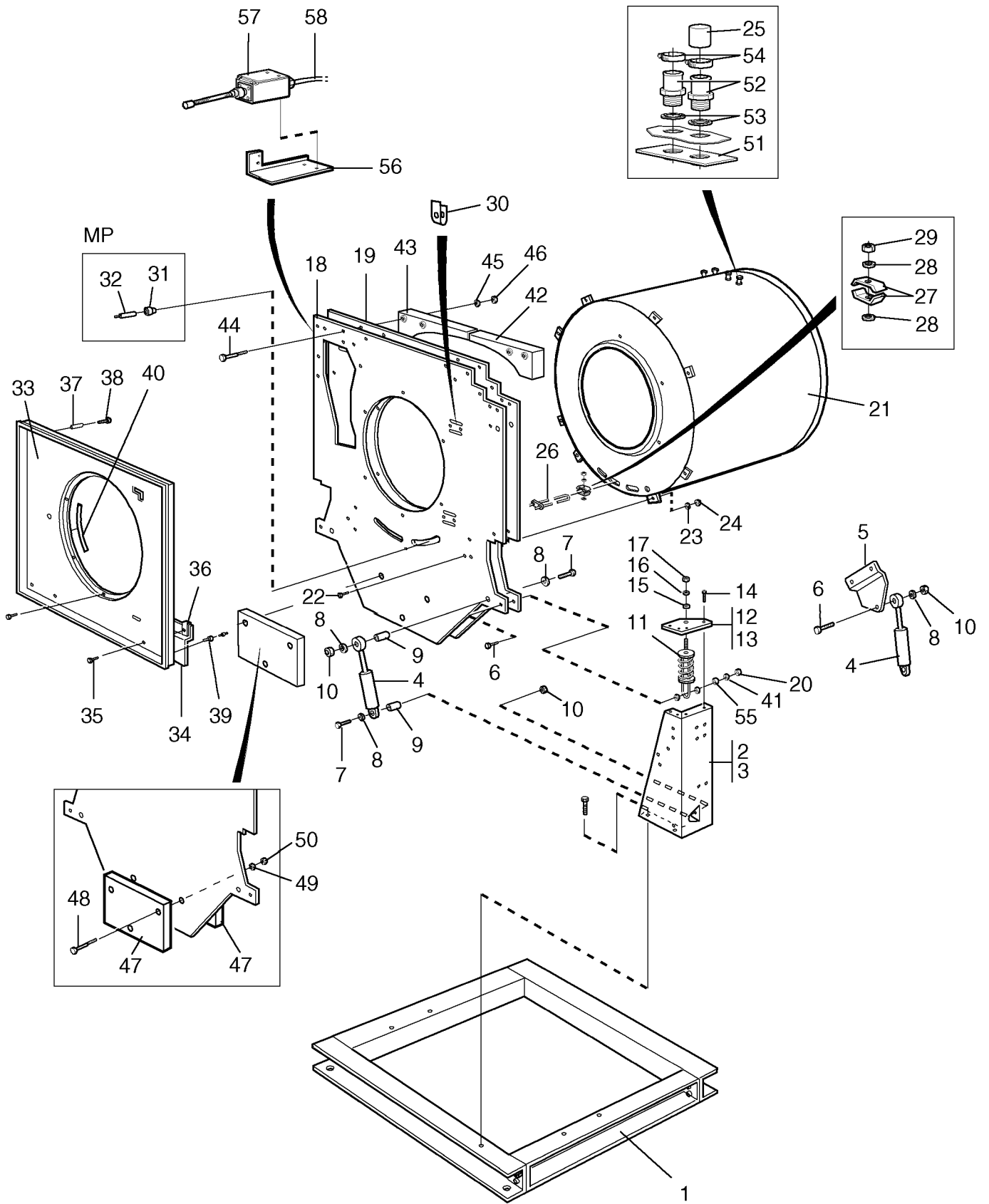
Base and outer drum

Illustration Issue Month Year
Illustration Utgåva Månad År

Stativ och yttertrumma

101644/3 6 10 2004

Item Pos.	Quantity Antal	Art.No Art.nr	Description	Benämning	Info Info	Notes Anmärkning
			EX50S,HS2220E,WE225MP			
			FLE225FC,FLE225FC, Aqua Clean,HS2220MP,HS2220MP Aqua Clean			
1	1	432 0735-01	Frame	Stativ	1,2	
2	2	472 6457-01	Support leg	Stödben	3	Left
3	2	472 6457-02	Support leg	Stödben	3	Right
4	4	471 8252-05	Shock absorber	Stötdämpare	1,2	
5	2		Bracket	Fäste		See illustr. 101657
6	4	725 2501-51	Screw	Skruv	3	M10X50
7	8	725 2505-51	Screw	Skruv	3	M10X70
8	8	734 1173-01	Washer	Bricka	3	BRB 10,5X21
9	4	472 6008-01	Spacer	Distans	3	
10	13	732 2120-01	Locking nut	Låsmutter	3	M10
11	4		Suspension unit	Fjäderenheter	1	See illustr. 101346
12	2	472 6458-01	Cover	Lock	3	Left
13	2	472 6458-02	Cover	Lock	3	Right
14	RQ	725 2366-61	Screw	Skruv	3	M6SF 6X12
15	4	472 6580-02	Bushing	Bussning	3	
16	4	734 1173-01	Washer	Bricka	3	BRB 10,5X21
17	4	732 2120-01	Locking nut	Låsmutter	3	M10
18	1	432 0730-01	End piece	Gavel	3	Front
19	1	432 0731-01	End piece	Gavel	3	Rear
20	4	732 2120-01	Locking nut	Låsmutter	3	M10
21	1	432 0716-01	Outer drum	Yttertrumma	1	EL.
	1	432 0716-03	Outer drum	Yttertrumma	3	DS Berendsen
	1	432 0716-02	Outer drum	Yttertrumma	1	DS,HW
22	8	725 2453-51	Screw	Skruv	3	M8X25
23	8	734 1164-01	Washer	Bricka	3	8,4X17
24	8	732 2118-01	Locking nut	Låsmutter	3	M8
25	RQ	471 2416-83	Hood	Huv	3	
26	3	471 9811-15	Heating element	Element	1,2	6KW 254V
	3	471 9811-12	Heating element	Element	1,2	230V 6KW
	3	471 9811-18	Heating element	Element	1,2	6KW 277V
	3	471 9811-19	Heating element	Element	1,2	254V 5KW
	3	471 9811-20	Heating element	Element	1,2	5KW 277V
27	6	472 6581-03	Clamp	Klamma	3	For element
28	6	734 1146-09	Washer	Bricka	3	BRB 5,3X10
29	3	732 2114-92	Locking nut	Låsmutter	3	M5
30	4	471 7864-01	Clip	Clips	3	M6
31	1	472 9913-22	Sensor	Givare	1	Complete
32	1	471 8192-01	•Bushing	•Bussning	1	
33	1	472 9142-11	Trim panel	Dekorplåt	3	Stainless
	1	472 9142-12	Trim panel	Dekorplåt	3	Red
	1	472 9142-13	Trim panel	Dekorplåt	3	Blue
34	1	472 6150-01	Cover	Skydd	1	
35	2	471 8343-22	Screw	Skruv	3	RTS 4,2X9,5
36	2	733 7821-41	Clip	Clips	3	
37	4	471 8619-03	Spacer	Distans	3	
38	4	471 8344-26	Screw	Skruv	3	M5X20
39	4	472 6083-00	Rubber cushion	Kuts	3	
40	1	471 8153-06	Strip	List	1	L=1415
41	8	471 7807-01	Washer	Bricka	3	28X10,2
42	1	472 6575-05	Counterweight	Motvikt	1	Left
43	1	472 6575-05	Counterweight	Motvikt	1	Right
44	4	725 2473-51	Screw	Skruv	3	M8X110
45	4	734 1164-01	Washer	Bricka	3	8,4X17
46	4	732 2118-01	Locking nut	Låsmutter	3	M8
47	2	472 6560-01	Counterweight	Motvikt	3	
48	3	725 2511-51	Screw	Skruv	3	M10X100
49	3	734 1173-01	Washer	Bricka	3	BRB 10,5X21



EX50S,FLE225FC,FLE225FC, Aqua Clean,HS2220E,HS2220MP,HS2220MP Aqua Clean,WE225MP

Base and outer drum

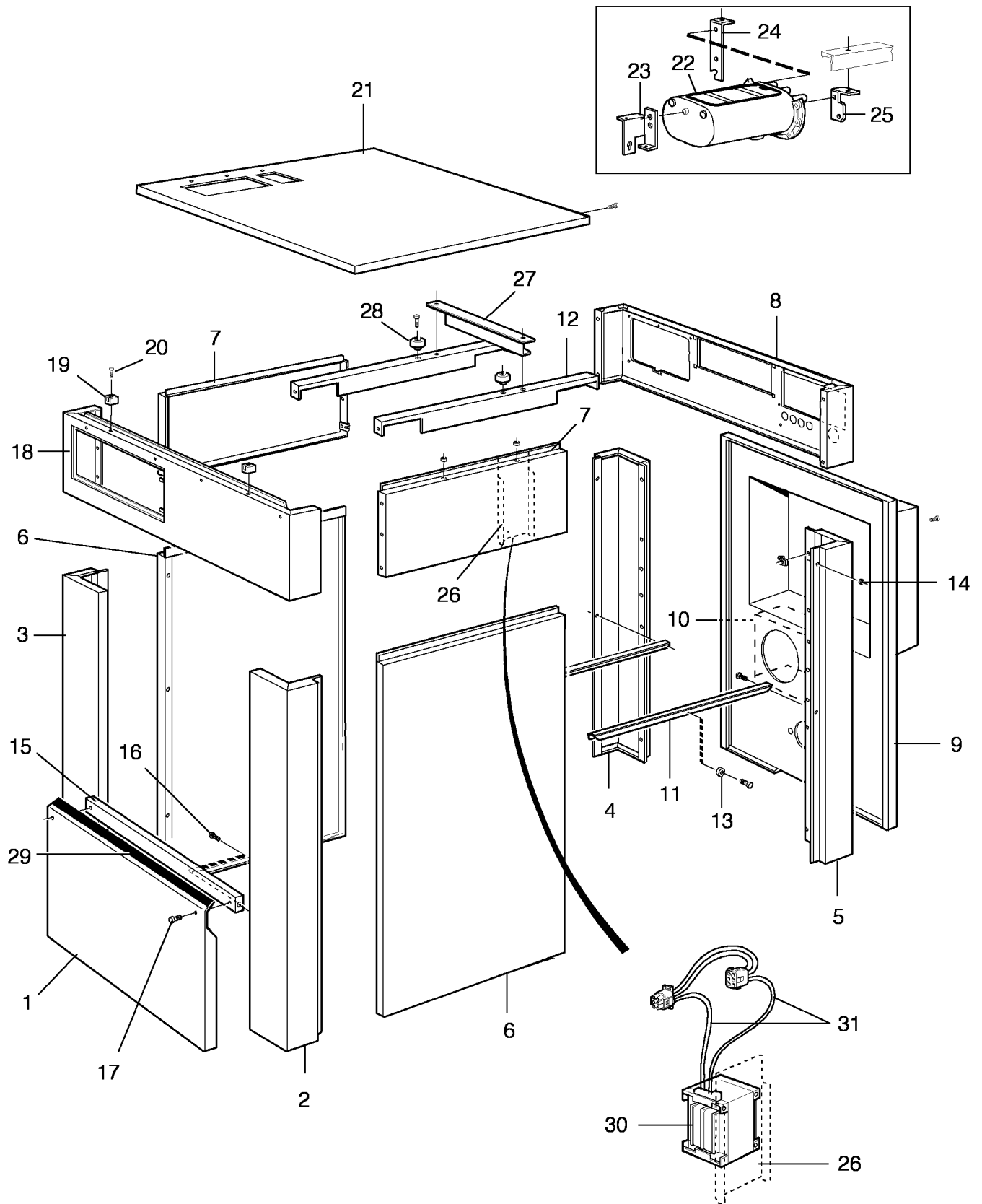
Illustration Issue Month Year

Illustration Utgåva Månad År

Stativ och yttertrumma

101644/3 6 10 2004

Item Pos.	Quantity Antal	Art.No Art.nr	Description	Benämning	Info Info	Notes Anmärkning
			EX50S,HS2220E,WE225MP			
			FLE225FC,FLE225FC, Aqua Clean,HS2220MP,HS2220MP Aqua Clean			
50	3	732 2120-01	Locking nut	Låsmutter	3	M10
51	2	472 6502-02	Mounting plate	Fästplåt	3	1/2"
52	4	471 8623-01	Connection	Koppling	3	1/2"
53	4	471 8159-06	Gasket	Packning	3	
54	4	736 2825-51	Hose clamp	Slangklämma	3	Ø32
55	4	472 6008-02	Spacer	Distans	3	
56	1	432 0522-01	Bracket	Konsol	3	
57	1	471 9608-01	Out of balance switch	Obalansbrytare	1,2	
58	1	432 0550-49	Cable set	Ledningsatts	3	



EX50S,FLE225FC,FLE225FC, Aqua Clean,HS2220E,HS2220MP,HS2220MP Aqua Clean,WE225MP

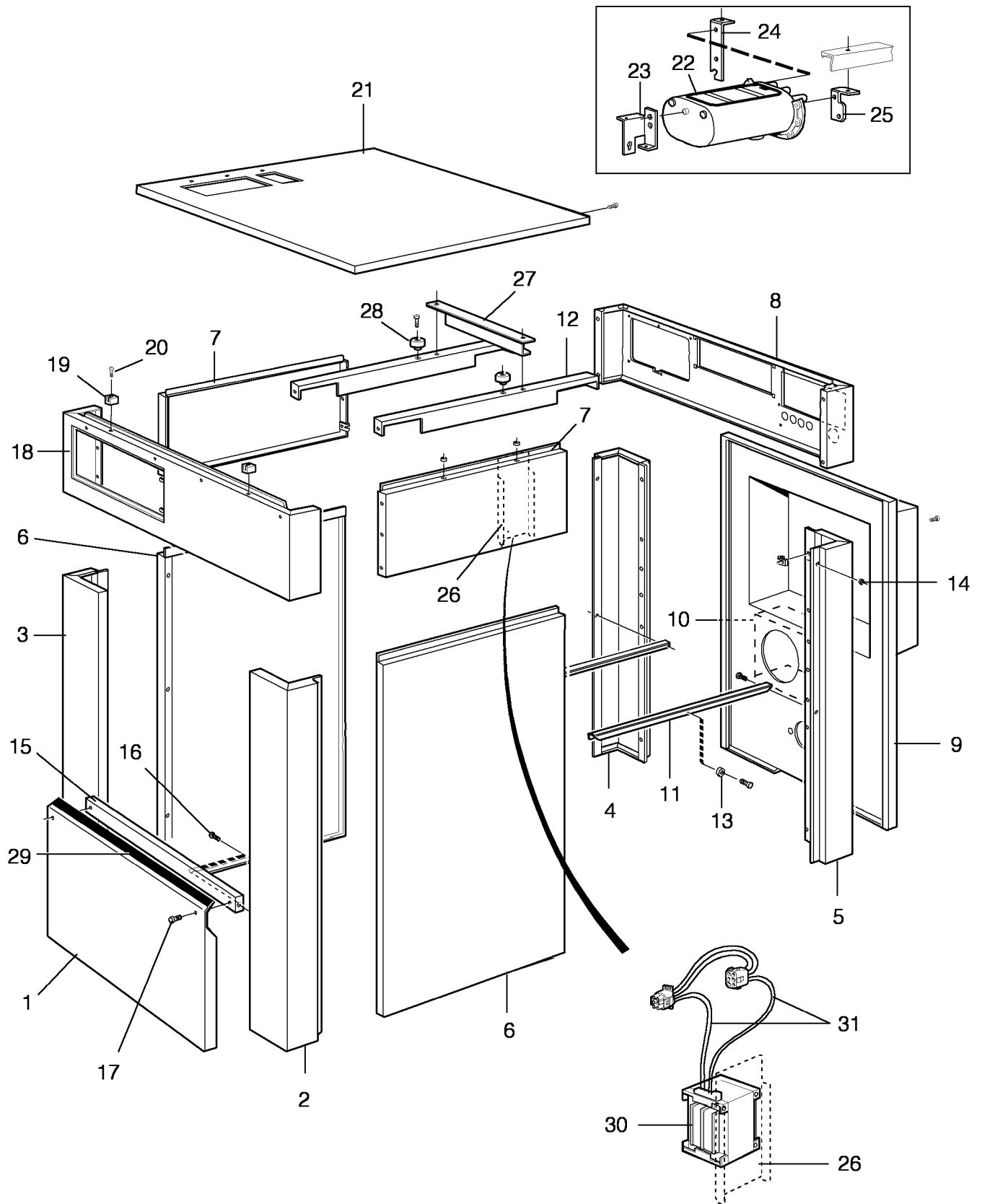
Lining and top panel

Illustration Issue Month Year
Illustration Utgåva Månad År

Klädselplåtar och topplock

101648/2 8 7 2002

Item Pos.	Quantity Antal	Art.No Art.nr	Description	Benämning	Info Info	Notes Anmärkning
EX50S,HS2220E,WE225MP						
FLE225FC,FLE225FC, Aqua Clean,HS2220MP,HS2220MP Aqua Clean						
1	1	1	472 9904-59	Front plate	Frontplåt	3 Stainless
	1	1	472 9904-60	Front plate	Frontplåt	3 Stainless Zanussi
	1	1	472 9904-61	Front plate	Frontplåt	3 Red
	1	1	472 9904-62	Front plate	Frontplåt	3 Blue
2	1	1	472 9146-03	Side post	Sidostolpe	1 Front,right,stainless
	1	1	472 9146-07	Side post	Sidostolpe	1 Front,right,red
	1	1	472 9146-11	Side post	Sidostolpe	1 Front,right,blue
3	1	1	472 9146-04	Side post	Sidostolpe	1 Front,left,stainless
	1	1	472 9146-08	Side post	Sidostolpe	1 Front,left,red
	1	1	472 9146-12	Side post	Sidostolpe	1 Front,left,blue
4	1	1	472 9148-01	Side post	Sidostolpe	1 Rear,left,white
	1	1	472 9148-03	Side post	Sidostolpe	1 Rear,left,red
	1	1	472 9148-05	Side post	Sidostolpe	1 Rear,left,beige
5	1	1	472 9148-02	Side post	Sidostolpe	1 Rear,right,white
	1	1	472 9148-04	Side post	Sidostolpe	1 Rear,right,red
	1	1	472 9148-06	Side post	Sidostolpe	1 Rear,right,beige
6	2	2	472 9159-05	Side panel	Sidoplåt	3 White
	2	2	472 9159-08	Side panel	Sidoplåt	3 Stainless
	2	2	472 9159-06	Side panel	Sidoplåt	3 Red
	2	2	472 9159-07	Side panel	Sidoplåt	3 Beige
	1	1	472 9159-15	Side panel	Sidoplåt	3 White,right,with test tap
	1	1	472 9159-16	Side panel	Sidoplåt	3 White,left,with test tap
7	2	2	432 0725-01	Brace bracket	Stagplåt	3 White
	2	2	432 0725-02	Brace bracket	Stagplåt	3 Red
	2	2	432 0725-03	Brace bracket	Stagplåt	3 Beige
	2	2	432 0725-04	Brace bracket	Stagplåt	3 Stainless
8	1	1	432 0727-01	Brace bracket	Stagplåt	3 White
	1	1	432 0727-02	Brace bracket	Stagplåt	3 Red
	1	1	432 0727-03	Brace bracket	Stagplåt	3 Beige
9	1	1	432 0726-03	Rear panel	Bakstycke	3 EL, H W COMPL
	1	1	432 0726-04	Rear panel	Bakstycke	3 DS COMPL
10	1	1	438 4368-01	Cover	Kåpa	3 DS
11	2	2	438 4123-02	Brace	Stag	3
12	2	2	432 0724-01	Brace	Stag	3
13	2	2	471 8149-01	Rubber buffer	Gummibuffert	3
14	8	8	471 8196-01	Plug	Plugg	3
15	1	1	438 4369-01	Brace	Stag	3
16	4	4	471 8341-44	Screw	Skruv	3 MRT 6X12
17	3	3	471 8344-33	Screw	Skruv	3 M6X10
18	1	1	432 0720-01	Front panel	Frontpanel	3 Black
		1	432 0720-02	Front panel	Frontpanel	3 Black
		1	432 0720-03	Front panel	Frontpanel	3 Black Emergency stop
19	2	2	438 5335-01	Guide	Styrning	3
20	2	2	471 8341-46	Screw	Skruv	3 MRT6X16
21	1	1	432 0719-01	Top panel	Topplock	1 Without coin meter
	1	1	432 0719-02	Top panel	Topplock	1 With coin meter
	1	1	432 0719-03	Top panel	Topplock	1 Liquid, without coin meter
	1	1	432 0719-04	Top panel	Topplock	1 Liquid, with coin meter
22	1	1		Detergent container	Tvättmedelsbehållare	1F-2H See group 8803
23	1	1	432 0630-01	Support	Stöd	3
24	1	1	438 0150-01	Bracket	Fäste	3 Left
25	1	1	438 0151-01	Bracket	Fäste	3 Right
26	1	1	432 0644-01	Mounting plate	Fästplåt	3
27	1	1	432 0642-01	Brace	Stag	3
28	2	2	471 8149-11	Rubber buffer	Gummibuffert	3
29	1	1	432 2164-06	Rubber strip	Gummilist	3
30	1	1	471 9550-14	Transformer	Transformator	3 200V



EX50S,FLE225FC,FLE225FC, Aqua Clean,HS2220E,HS2220MP,HS2220MP Aqua Clean,WE225MP

Lining and top panel

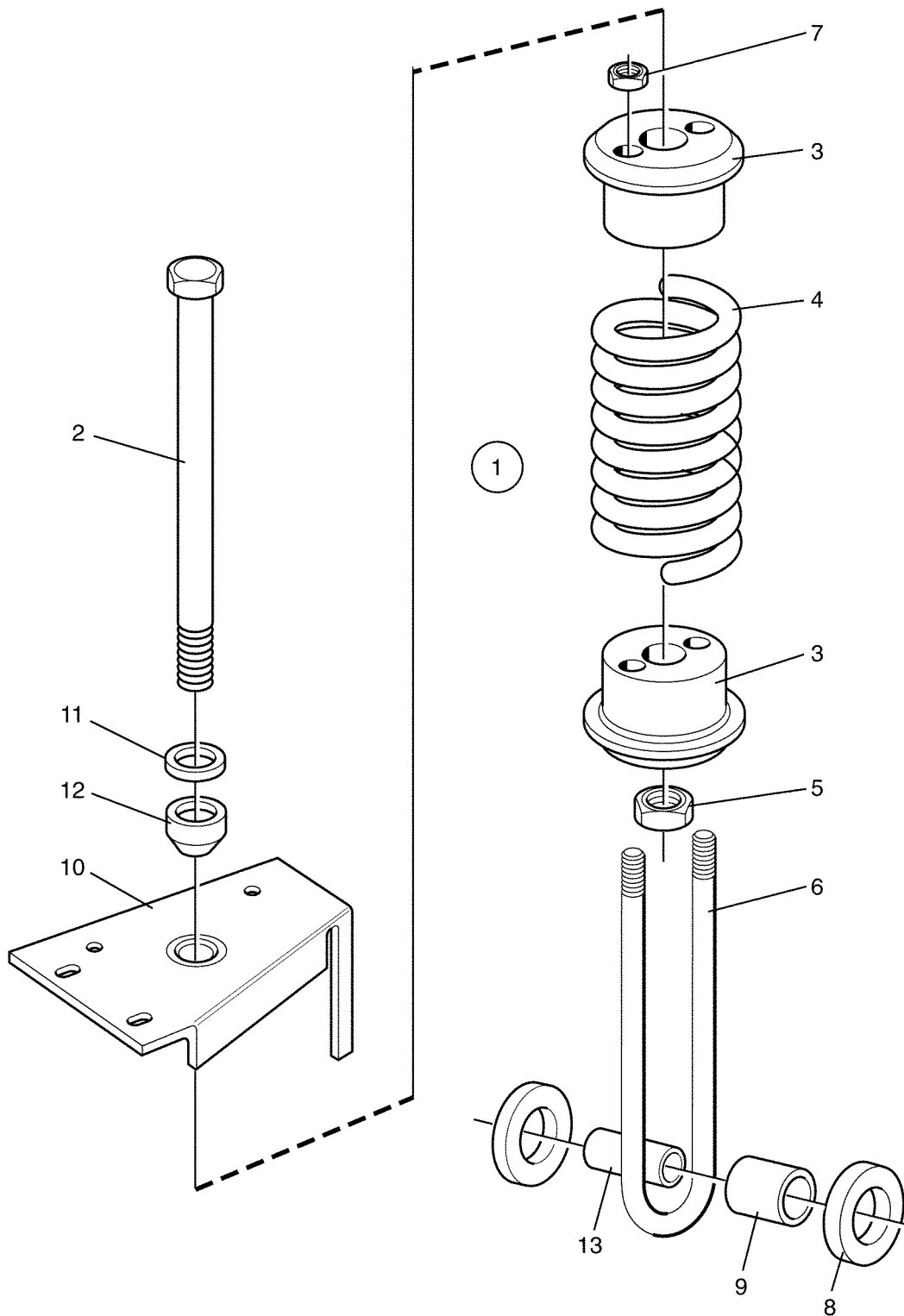
Illustration Issue Month Year

Illustration Utgåva Månad År

Klädselplåtar och topplock

101648/2 8 7 2002

Item Pos.	Quantity Antal	Art.No Art.nr	Description	Benämning	Info Info	Notes Anmärkning
31	1	1	EX50S,HS2220E,WE225MP FLE225FC,FLE225FC, Aqua Clean,HS2220MP,HS2220MP Aqua Clean	Transformator	3	346,380,440,480V
	1	1	471 9550-19 Transformer 432 0550-04 Cable set	Kabelsats	3	



EX50S,FLE225FC,FLE225FC, Aqua Clean,HS2220E,HS2220MP,HS2220MP Aqua Clean,WE225MP

Suspension

Illustration Issue Month Year

Illustration Utgåva Månad År

Fjäderelement

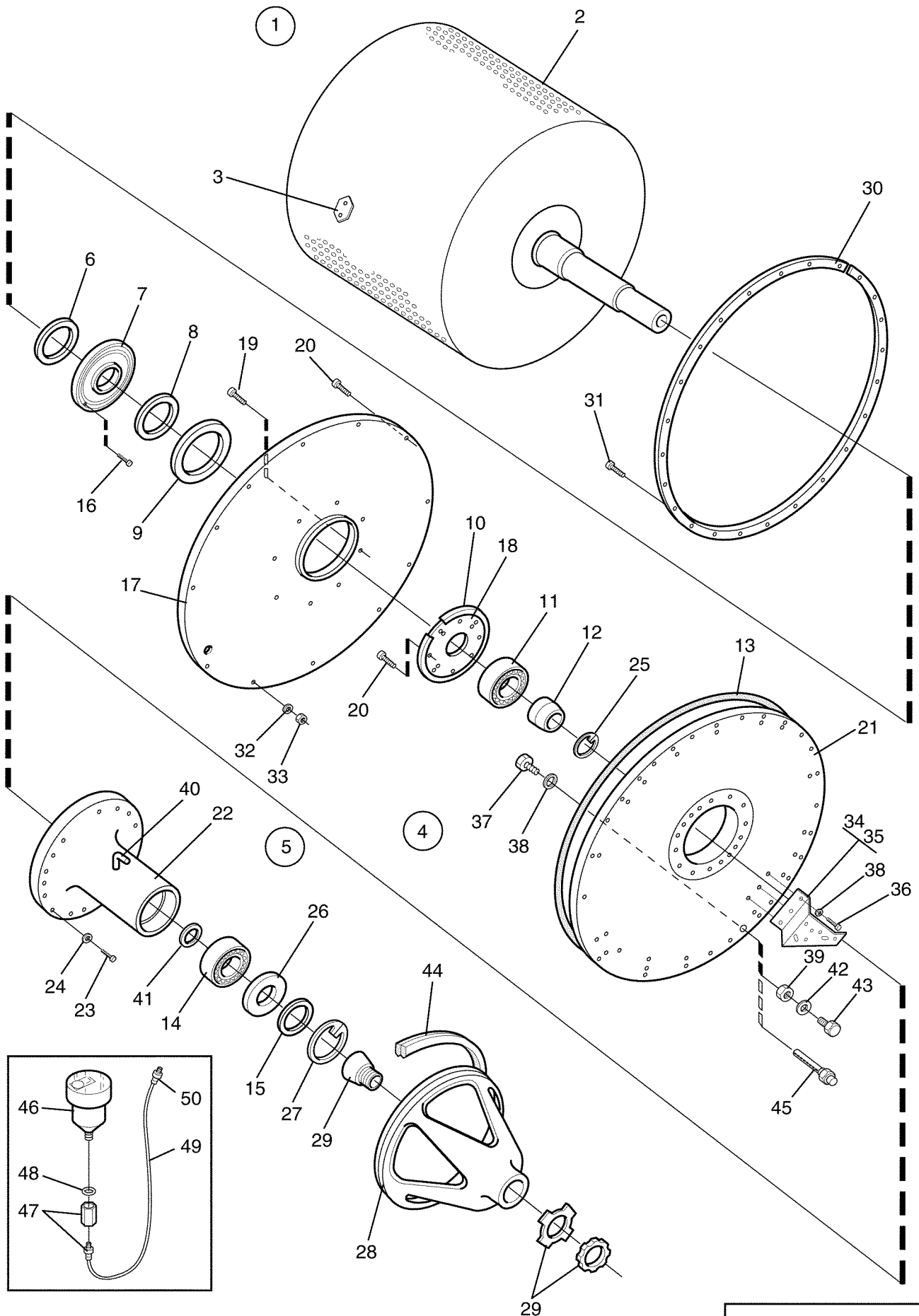
101346/1

3

4

2001

Item Pos.	Quantity Antal	Art.No Art.nr	Description	Benämning	Info Info	Notes Anmärkning
			EX50S,HS2220E,WE225MP			
			FLE225FC,FLE225FC, Aqua Clean,HS2220MP,HS2220MP Aqua Clean			
1	1	472 6459-01	Suspension unit	Fjäderenhhet	1	Compl.
2	1	471 8356-03	•Screw	•Skruv	3	M10X240
3	2	472 6592-02	•Guide bushing	•Styrbussning	3	
4	1	471 7816-04	•Spring	•Fjäder	3	
5	1	732 2120-01	•Locking nut	•Låsmutter	3	M10
6	1	471 8308-08	•Clamp	•Bygel	3	
7	2	731 2318-01	•Nut	•Mutter	3	M8
8	2	472 6009-02	•Spacer	•Distans	3	
9	1	471 8576-02	•Bushing	•Bussning	1	
10	1	472 6458-01	•Cover	•Lock	3	Left front and right rear
	1	472 6458-02	•Cover	•Lock	3	Right front and left rear
11	1	734 1173-01	•Washer	•Bricka	3	BRB 10,5X21
12	1	472 6580-02	•Bushing	•Bussning	3	
13	1	472 6008-02	Spacer	Distans	3	



Issue	Month	Year
03	10	99

EX50S,FLE225FC,FLE225FC, Aqua Clean,HS2220E,HS2220MP,HS2220MP Aqua Clean,WE225MP

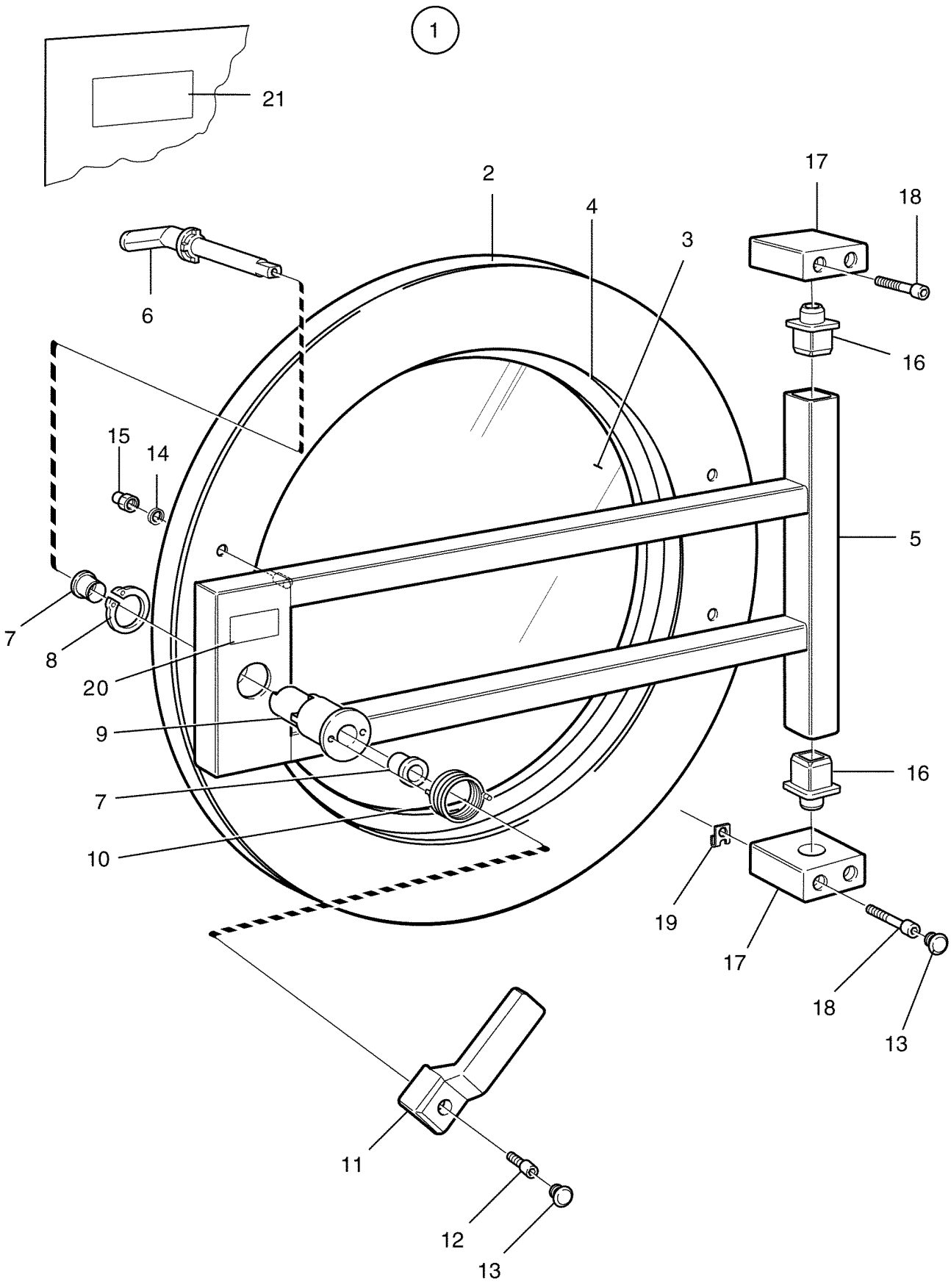
Back plate with inner drum, bearing, pulley

Illustration Issue Month Year
Illustration Utgåva Månad År

Bakgavel med innertr,lagring,remskiva

101657/3 6 4 2009

Item Pos.	Quantity Antal	Art.No Art.nr	Description	Benämning	Info Info	Notes Anmärkning
		EX50S,HS2220E,WE225MP				
		FLE225FC,FLE225FC, Aqua Clean,HS2220MP,HS2220MP Aqua Clean				
1	1	432 0729-02	Back plate	Bakgavel	1	Compl.
2	1	472 6563-01	•Inner drum	•Innertrumma	1	
3	1	472 9768-01	•Door	•Lucka	3	
* 4						Not used
5	1	472 9901-22	••Repair kit	••Renoveringssats	1	
6	1		•••O-ring	•••O-ring		
7	1		•••Bracket	•••Hållare		
8	1		•••V-ring	•••V-ring		
9	1		•••V-ring	•••V-ring		
10	1		•••Seal	•••Tätning		
11	1		•••Bearing	•••Lager		
12	1		•••Ring	•••Ring		
13	1	472 6729-01	•••Seal	•••Tätning		
14	1		•••Ball bearing	•••Kullager		
15	1		•••V-ring	•••V-ring		
16	1	471 8311-00	••Screw	••Skruv	3	M6SFTT 5X16
17	1	472 6542-02	••Plate	••Plåt	3	
18	1	472 6532-01	••Cover	••Lock	1	
19	8	471 8320-01	••Screw	••Skruv	3	M6X12
20	20	471 8320-05	••Screw	••Skruv	3	M6X20
21	1	472 6537-02	••End piece	••Gavel	3	Rear
22	1	472 6529-06	••Bearing housing	••Lagerhus	3	
23	16	725 2540-51	••Screw	••Skruv	3	M12X40
24	16	734 1178-01	••Washer	••Bricka	3	BRB 13X24
25	1	735 3154-40	••C-clamp	••Spårring	3	
26	1	472 6547-01	••Cover washer	••Täckbricka	3	
27	1	735 3173-10	••C-clamp	••Spårring	3	SGH130
28	1	472 6429-02	••Pulley	••Remskiva	1	
29	1	471 8551-03	••Sleeve	••Hylsa	1	Compl.
30	1	472 6566-01	••Flange	••Fläns	1	
31	24	724 2459-51	••Screw	••Skruv	3	M8X40
32	24	734 1164-01	••Washer	••Bricka	3	8,4X17
33	24	732 2118-01	••Locking nut	••Låsmutter	3	M8
34	1	438 4175-05	••Bracket	••Fäste	1	Left
35	1	438 4175-06	••Bracket	••Fäste	1	Right
36	6	725 2491-51	••Screw	••Skruv	3	M10X20
37	1	472 6543-01	••Bushing	••Bussning	3	
38	1	740 4822-03	••O-ring	••O-ring	1	
39	1	741 1115-20	••Nut	••Mutter	3	
40	1	471 8628-51	••Angle	••Vinkel	3	
41	RQ	471 8519-10	••Spacer washer	••Distansbricka	3	Max. 3 pcs
42	1	740 4811-03	••O-ring	••O-ring	1	El, HW
43	1	471 8651-02	••Plug	••Plugg	1	El, HW
44			V-belt	Kilrem		See motor bracket and motor
45	1	472 6582-01	Injector	Injektor	1,2	DS
46	1	471 8276-02	Pump	Pump	1,2	
47	1	471 8690-72	Nipple	Nippel	3	Complete
48	1	740 4209-00	O-ring	O-ring	3	
49	1	471 8139-08	Hose	Slang	1	L=1100
50	1	471 8688-03	Nipple	Nippel		1/8"



Issue	Month	Year
01	09	98

EX50S,FLE225FC,FLE225FC, Aqua Clean,HS2220E,HS2220MP,HS2220MP Aqua Clean,WE225MP

Door and hinged joint

Illustration Issue Month Year

Illustration Utgåva Månad År

Lucka och gångled

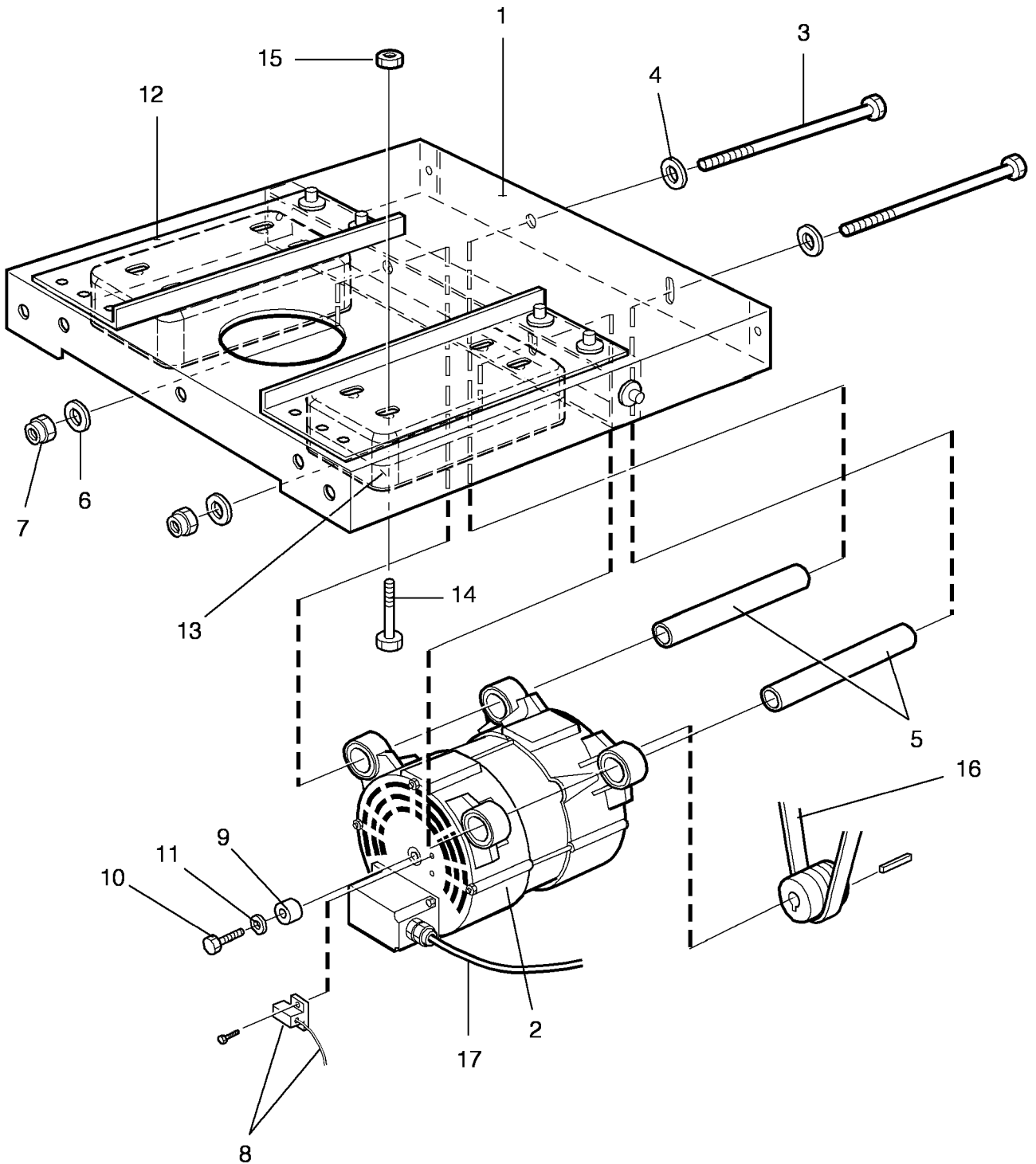
101649

3

9

2002

Item Pos.	Quantity Antal	Art.No Art.nr	Description	Benämning	Info Info	Notes Anmärkning
			EX50S,HS2220E,WE225MP			
			FLE225FC,FLE225FC, Aqua Clean,HS2220MP,HS2220MP Aqua Clean			
1	1	1	438 4326-11 Door	Lucka	1,2	Complete
	1	1	438 4326-12 Door	Lucka	1,2	Aqua clean Complete
2	1	1	438 4130-01 •Door ring	•Luckring	3	
3	1	1	471 2431-28 •Door glass	•Luckglas	1,2	
	1	1	438 4219-01 •Door glass	•Luckglas	1,2	Aqua clean Aqua clean
4	1	1	471 2431-29 •Door gasket	•Luckpackning	1,2	Black
5	1	1	438 4117-01 •Bracket	•Konsol	3	
6	1	1	438 0422-01 •Shaft	•Axel	3	
7	2	2	438 0033-01 •Bushing	•Bussning	3	
8	1	1	735 3126-01 •Circlip	•Segersäkkring	3	
9	1	1	438 4126-02 •Hub	•Nav	1,2	
10	1	1	471 7814-02 •Spring	•Fjäder	3	
11	1	1	438 4127-02 •Handle	•Handtag	1,2	
12	1	1	471 8341-85 •Screw	•Skruv	3	M6X16
13	5	5	471 7961-02 •Plug	•Plugg	3	
14	4	4	734 1153-09 •Washer	•Bricka	3	BRB 6,4X12
15	4	4	732 3116-14 •Nut	•Mutter	3	M6
16	2	2	438 4132-02 •Pin	•Tapp	3	
17	2	2	438 4128-01 Hinged joint	Gångled	3	
18	4	4	471 8341-50 Screw	Skruv		MRT 6X50
19	4	4	471 7864-01 Clip	Clips	3	M6
20	1	1	471 7674-01 Sign	Skylt	3	
21	1	1	471 4671-48 Warning sign	Varningsskylt	3	



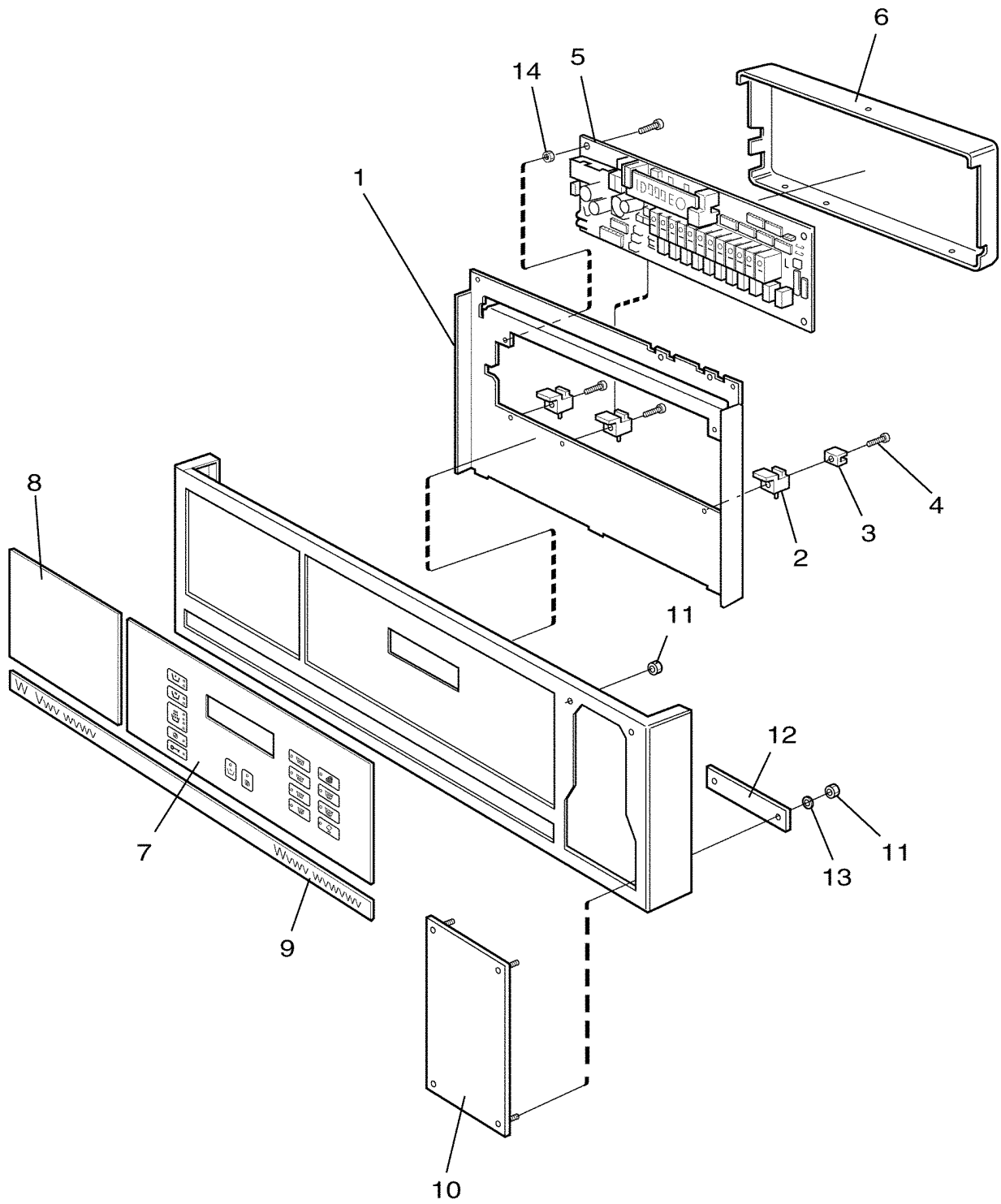
EX50S,FLE225FC,FLE225FC, Aqua Clean,HS2220E,HS2220MP,HS2220MP Aqua Clean,WE225MP**Motor bracket and motors**

Illustration Issue Month Year

Illustration Utgåva Månad År

Motorhylla och motorer**101641/2 6 9 2002**

Item Pos.	Quantity Antal	Art.No Art.nr	Description	Benämning	Info Info	Notes Anmärkning
			EX50S,HS2220E,WE225MP			
			FLE225FC,FLE225FC, Aqua Clean,HS2220MP,HS2220MP Aqua Clean			
1	1	432 0717-01	Motor shelf	Motorhylla	3	
2	1	471 9741-03	Motor	Motor	1,2	
3	2	471 8356-05	Screw	Skruv	3	M12x240
4	2	471 8502-10	Washer	Bricka	3	12x35
5	2	432 0641-02	Pipe	Rör	3	
6	2	734 1178-01	Washer	Bricka	3	BRB 13X24
7	2	732 2122-01	Locking nut	Låsmutter	3	M12
8	1	432 0550-40	Cable	Kabel	1,2	With sensor
9	1	471 9578-50	Magnet	Magnet	3	
10	1	725 2453-51	Screw	Skruv	3	M8X25
11	1	734 1164-01	Washer	Bricka	3	8,4X17
12	2	432 0646-01	Brace	Stag	3	
13	2	432 0645-01	Counterweight	Motvikt	3	
14	8	725 2511-51	Screw	Skruv	3	M10X100
15	8	732 2120-01	Locking nut	Låsmutter	3	M10
16	1	471 7711-04	V-belt	Kilrem	1,2	
17	1	432 0550-46	Cable set	Kabelsats	3	



Issue	Month	Year
01	09	98

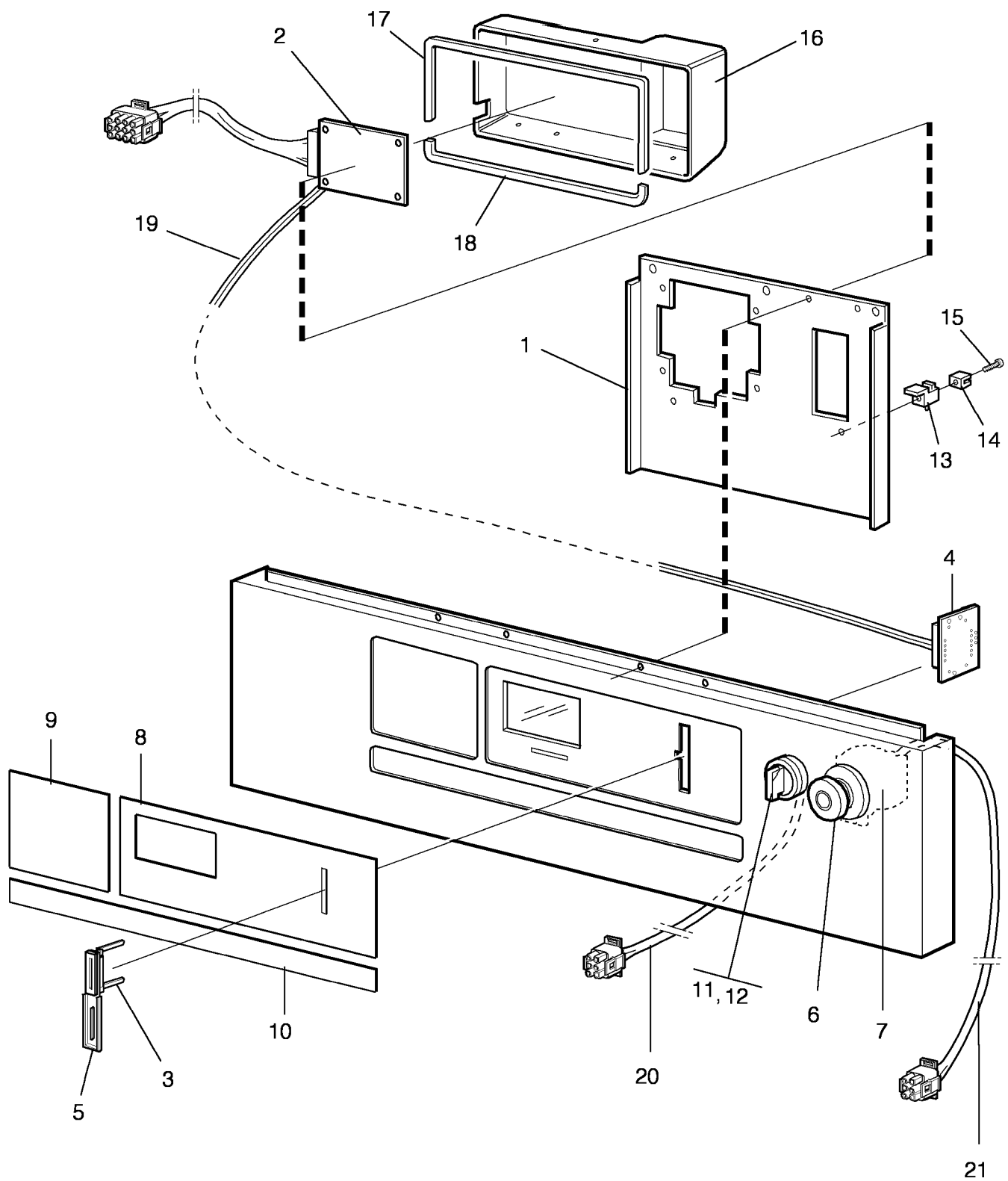
EX50S,HS2220E,WE225MP**Control panel**

Illustration Issue Month Year

Illustration Utgåva Månad År

Manöverpanel**101624 1 2 1999**

Item Pos.	Qua. Ant.	Art.No Art.nr	Description	Benämning	Info Info	Notes Anmärkning
1	1	432 0621-01	Mounting plate	Fästplåt	3	
2	3	438 5154-01	Bracket	Hållare	3	
3	3	471 9004-75	Bracket	Fäste	3	
4	3	471 8340-26	Screw	Skruv	3	4,2x25 4,2x25
5	1	471 8988-04	Printed circuit board	Kretskort	1,2	New prom has to be ordered GEN5Y 44-53
6	1	438 5341-01	Safety lid	Skyddskåpa	3	
7	1	472 5763-01	Panel sign	Panelskylt	1,2	PE11,21,31
1	1	472 5763-02	Panel sign	Panelskylt	1,2	Selecta,PE1
7	1	472 5763-03	Panel sign	Panelskylt	1,2	HE02
	1	472 5763-04	Panel sign	Panelskylt	1,2	PE03 USA
	1	472 5763-05	Panel sign	Panelskylt	1,2	PE22 CP
	1	472 5763-06	Panel sign	Panelskylt	1,2	HE22
	1	472 5778-01	Panel sign	Panelskylt	1,2	PE28
8	1	471 7694-01	Instruction plate	Instruktionsskylt	1,2	Symbols
	1	471 7694-02	Instruction plate	Instruktionsskylt	1,2	German SELECTA PE01
	1	471 7694-03	Instruction plate	Instruktionsskylt	1,2	English HE02
	1	471 7694-04	Instruction plate	Instruktionsskylt	1,2	German PE01
	1	471 7694-05	Instruction plate	Instruktionsskylt	1,2	USA
	1	471 7694-49	Instruction plate	Instruktionsskylt	1,2	PE28, Japan
9	1	471 7713-01	Type plate	Typskylt	3	WE225MP
	1	471 7713-03	Type plate	Typskylt	3	HS2220MP
10	1	438 0333-01	Cover plate	Täckplåt	3	Black
11	4	732 2112-01	Locking nut	Låsmutter	3	M4
12	1	438 0260-01	Mounting plate	Fästplåt	3	
13	2	735 2136-01	Lock washer	Låsbricka	3	AZ 4,3
14	2	438 0299-10	Spacer	Distans	3	



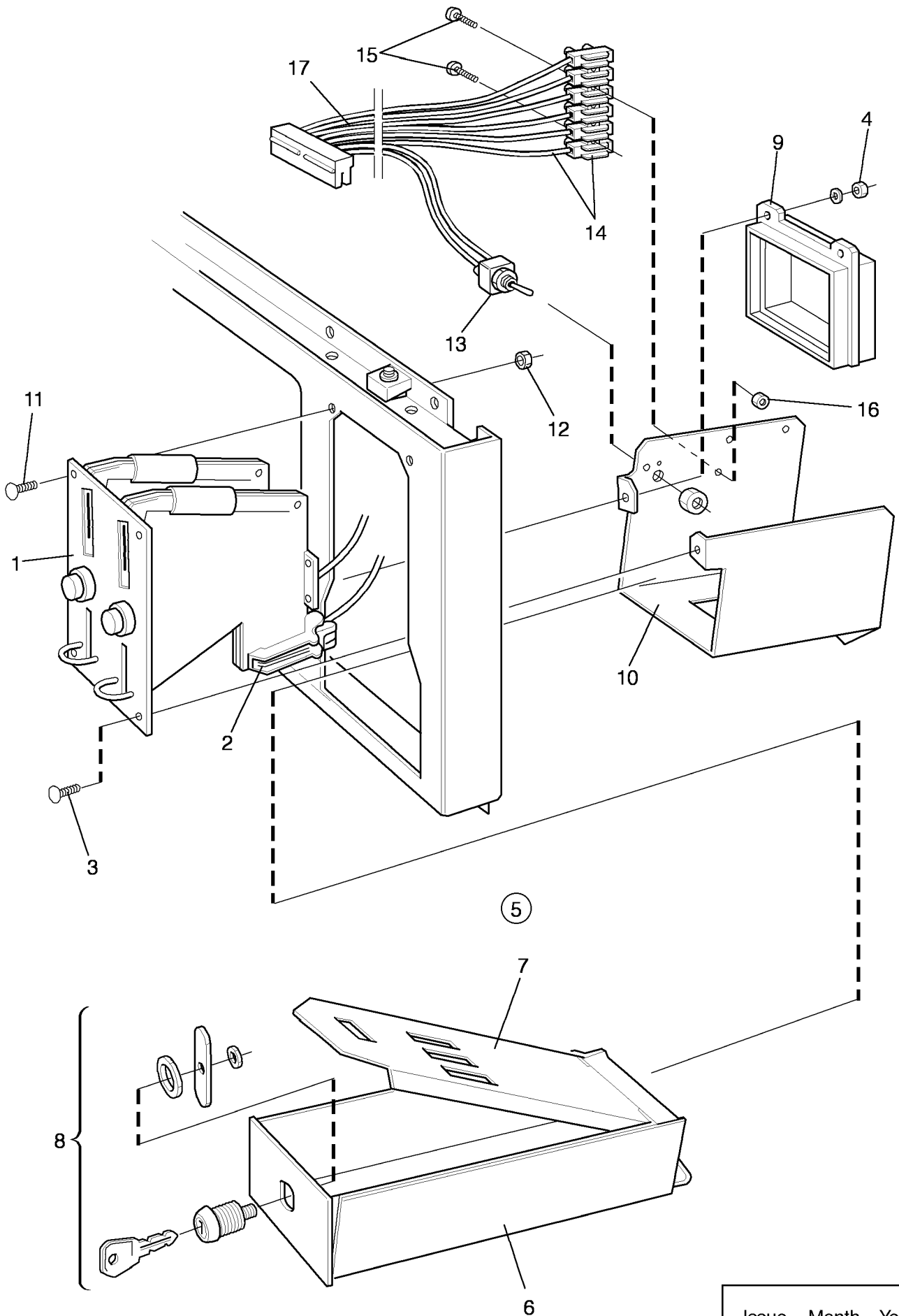
FLE225FC,FLE225FC, Aqua Clean,HS2220MP,HS2220MP Aqua Clean

Control panel

Manöverpanel

Illustration Issue Month Year
Illustration Utgåva Månad År
101638/2 4 9 2002

Item Pos.	Qua. Ant.	Art.No Art.nr	Description	Benämning	Info Info	Notes Anmärkning
1	1	432 0621-02	Mounting plate	Fästplåt	3	
2	1	471 8997-03	Display	Display	1,2	
3	1	432 0150-01	Bracket	Hållare	3	
4	1	471 8793-01	Card reader	Kortläsare	1	
5	1	432 0149-01	Rubber cap	Gummihuv	3	
6	1	471 9628-22	Emergency stop	Nödstopp	1	-99/12116
	1	471 9628-32	Emergency stop	Nödstopp	1	99/12117-
7	1	471 9628-90	Socket	Kontaktblock	1	-99/12116
	1	471 9628-33	Contact block	Kontaktblock	1	99/12117-
8	1	472 5775-01	Panel sign	Panelskylt	1,2	
9	1	471 7694-46	Sign	Skylt	1,2	
10	1	471 7713-02	Type plate	Typskylt	3	FLE225FC
	1	471 7713-04	Type plate	Typskylt	3	HS2220AC
	1	471 7713-05	Type plate	Typskylt	3	
	1	471 7713-06	Type plate	Typskylt	1	CLC22EC
11	1	471 9628-03	Knob	Vred	1	
12	1	471 9628-99	Anti-rotation ring	Antiroterationsring	3	
13	2	438 5154-01	Bracket	Hållare	3	
14	2	471 9004-75	Bracket	Fäste	3	
15	2	471 8340-26	Screw	Skruv	3	4,2x25 4,2x25
16	1	432 0538-01	Heat shield	Värmesköld	3	
17	1	471 8197-02	Rubber strip	Gummilist	1	
18	1	471 8153-00	Strip	List	1	
19	1	432 0550-11	Cable set	Kabelsats	3	
20	1	432 0550-66	Cable set	Kabelsats	3	EL/DS
21	1	432 0550-87	Cable set	Kabelsats	3	Emergency stop



EX50S,HS2220E,WE225MP

Coin meter components

Illustration Issue Month Year
Illustration Utgåva Månad År
101356/3 3 9 2002

Myntmätardetaljer

Item Pos.	Qua. Ant.	Art.No Art.nr	Description	Benämning	Info Info	Notes Anmärkning
1	1		Coin meter	Myntmätare		See group 8511
2	1	471 8910-91	•Sensor	•Avkännare	1,2	
3	4	471 8910-90	Screw	Skruv	3	
4	4	731 2312-01	Nut	Mutter	3	M4
5	1	471 4591-01	Coin box	Myntlåda	3	Complete
6	1	471 4589-01	•Coin box	•Myntlåda	3	
7	1	471 4590-01	•Coin box	•Myntlåda	3	
8	1	471 7817-01	Lock	Lås	1	
9	1	471 4596-01	Frame	Ram	3	
10	1	472 8895-01	Bracket	Konsol	3	
11	2	725 2331-51	Screw	Skruv	3	M5X20
12	2	731 2314-01	Nut	Mutter	3	M5
13	1	471 4876-06	Switch	Strömbrytare	1	
14	1	432 0550-81	Cables	Kablage	3	
15	2	724 1226-01	Screw	Skruv	3	M3X12
16	2	731 2310-01	Nut	Mutter	3	M3
17	1	432 0550-81	Cables	Kablage	3	

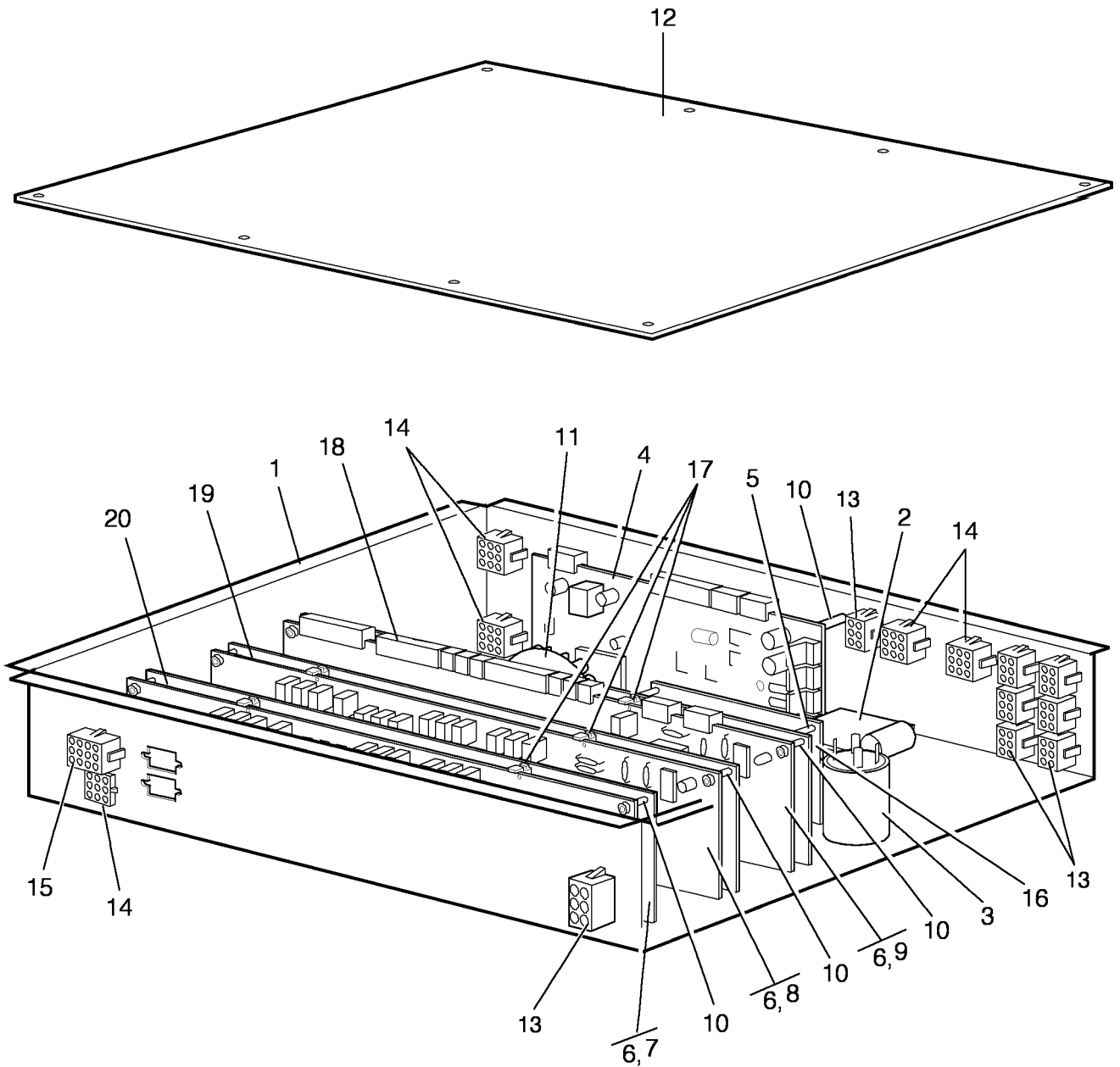
EX50S,HS2220E,WE225MP

Control unit

Automatenhet

Illustration Issue Month Year
Illustration Utgåva Månad År
101634/3 2 6 2000

Item Pos.	Qua. Ant.	Art.No Art.nr	Description	Benämning	Info Info	Notes Anmärkning
1	1	432 0635-01	Component panel	Komponentplåt	3	
2	1	438 9555-01	Printed circuit board	Kretskort	1,2	Door lock
3	4	471 7958-01	Support	Stöd	3	
4	1	471 9558-11	Transformer	Transformator	1	
5	1	471 9529-10	Mains filter	Nätfilter	1	208-240V
6	1	471 8859-06	Level control	Nivåkontroll	1	
7	1	432 0636-01	Cover	Lock	3	
8	2	762 3211-01	Plug connector	Hylsblock	3	6-pole
9	1	762 3231-01	Plug connector	Hylsblock	3	9-POLE
10	4	471 8342-13	Screw	Skruv	3	MRT-TT 4X10
11	1	432 0550-20	Cable set	Kabelsats	3	
12	1	432 3087-11	Cable set	Kabelsats	3	
13	1	432 0550-16	Cable set	Kabelsats	3	X11
14	1	432 0550-15	Cable set	Kabelsats	3	X20



FLE225FC,FLE225FC, Aqua Clean,HS2220MP,HS2220MP Aqua Clean

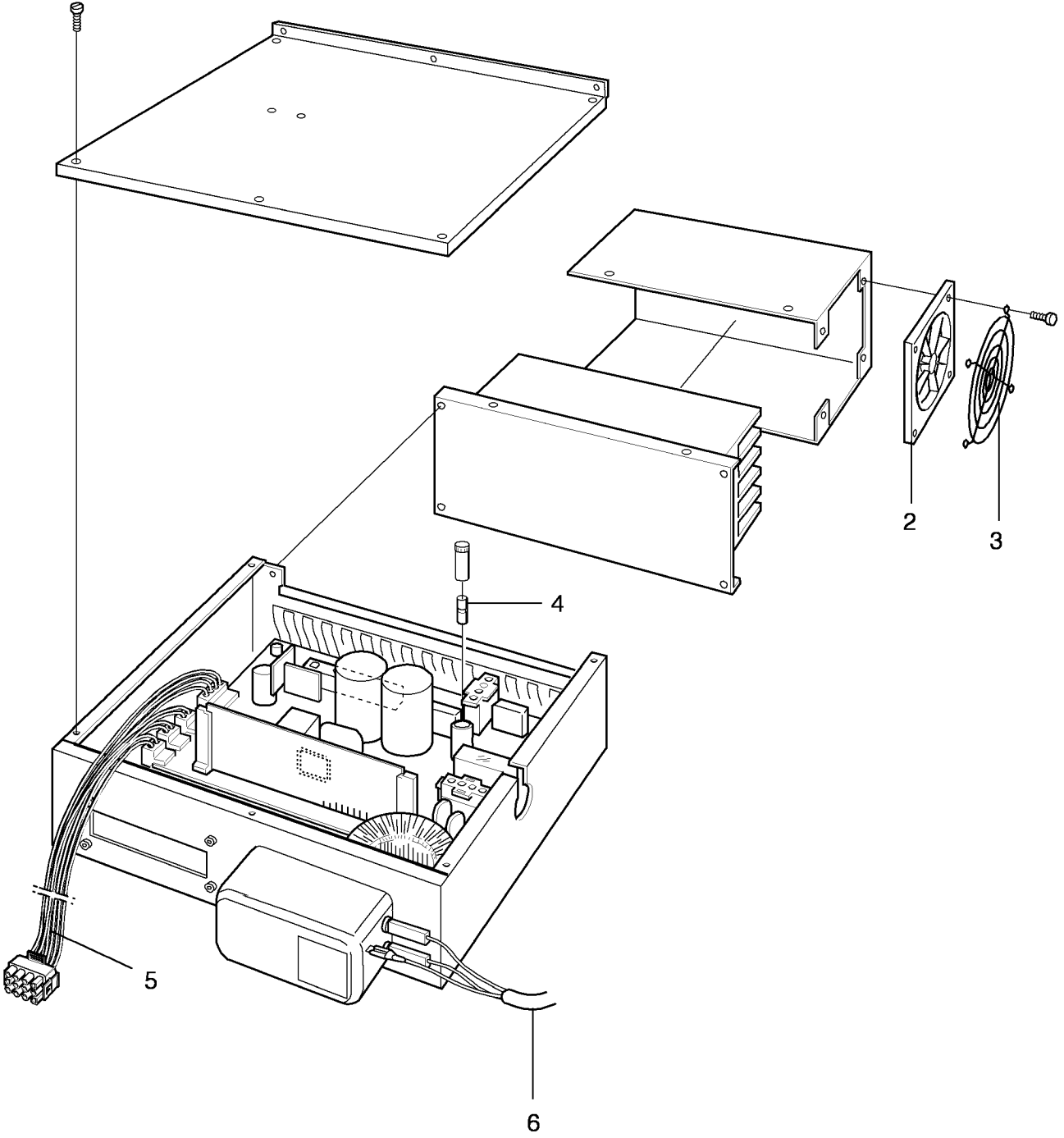
Control unit

Illustration Issue Month Year
Illustration Utgåva Månad År
101635/2 7 8 2006

Automatenhet

Item Pos.	Qua. Ant.	Art.No Art.nr	Description	Benämning	Info Info	Notes Anmärkning
1	1	432 0632-01	Component panel	Komponentplåt	3	
	1	432 0632-02	Component panel	Komponentplåt	3	
2	1	471 8792-01	Transformer	Transformator	1	
3	1	471 9529-10	Mains filter	Nätfilter	1	208-240V
4	1	471 8993-01	Printed circuit board	Kretskort	1	Not configured
	1	432 0806-01	Printed circuit board	Kretskort	1	1 I/O card, DS English
	1	432 0806-15	Printed circuit board	Kretskort	1	2 I/O card English
	1	432 0806-33	Printed circuit board	Kretskort	1	2 I/O card English
	1	432 0806-22	Printed circuit board	Kretskort	1	1 I/O card, HW English
	1	432 0806-20	Printed circuit board	Kretskort	1	1 I/O card Great Britain
	1	432 0806-34	Printed circuit board	Kretskort	1	2 I/O card Great Britain
	1	432 0806-02	Printed circuit board	Kretskort	1	2 I/O card Danish
	1	432 0806-08	Printed circuit board	Kretskort	1	3 I/O card Danish
	1	432 0806-10	Printed circuit board	Kretskort	1	1 I/O card Danish
	1	432 0806-06	Printed circuit board	Kretskort	1	1 I/O card Swedish
	1	432 0806-05	Printed circuit board	Kretskort	1	2 I/O card Swedish
	1	432 0806-07	Printed circuit board	Kretskort	1	2 I/O card Spanish
	1	432 0806-12	Printed circuit board	Kretskort	1	1 I/O card Spanish
	1	432 0806-13	Printed circuit board	Kretskort	1	1 I/O card, HW Spanish
	1	432 0806-09	Printed circuit board	Kretskort	1	1 I/O card German
	1	432 0806-11	Printed circuit board	Kretskort	1	1 I/O card, HW USA
	1	432 0806-14	Printed circuit board	Kretskort	1	1 I/O card French
	1	432 0806-30	Printed circuit board	Kretskort	1	2 I/O card French
	1	432 0806-16	Printed circuit board	Kretskort	1	2 I/O card German
	1	432 0806-03	Printed circuit board	Kretskort	1	1 I/O card USA
	1	432 0806-17	Printed circuit board	Kretskort	1	2 I/O card USA
	1	432 0806-18	Printed circuit board	Kretskort	1	1 I/O card Italian
	1	432 0806-04	Printed circuit board	Kretskort	1	2 I/O card Italian
	1	432 0806-19	Printed circuit board	Kretskort	1	1 I/O card Finnish
	1	432 0806-26	Printed circuit board	Kretskort	1	2 I/O card Finnish
	1	432 0806-21	Printed circuit board	Kretskort	1	1 I/O card Norwegian
	1	432 0806-31	Printed circuit board	Kretskort	1	2 I/O card Norwegian
	1	432 0806-23	Printed circuit board	Kretskort	1	1 I/O card Dutch
	1	432 0806-24	Printed circuit board	Kretskort	1	1 I/O card, HW Japanese
	1	432 0806-25	Printed circuit board	Kretskort	1	2 I/O card Japanese
	1	432 0806-27	Printed circuit board	Kretskort	1	1 I/O card Czech
	1	432 0806-32	Printed circuit board	Kretskort	1	2 I/O card Czech
	1	432 0806-28	Printed circuit board	Kretskort	1	1 I/O card Polish
	1	432 0806-29	Printed circuit board	Kretskort	1	2 I/O card Polish
5	4	471 7958-01	Support	Stöd	3	
6	RQ	432 0142-01	Bracket	Fäste	3	I/O-card
7	1	471 8995-11	Printed circuit board	Kretskort	1	I/O-card
	1	471 8995-13	Printed circuit board	Kretskort	1	I/O-card A5
8	1	471 8995-11	Printed circuit board	Kretskort	1	I/O-card
	1	471 8995-12	Printed circuit board	Kretskort	1	I/O-card A4
9	1	471 8995-11	Printed circuit board	Kretskort	1	I/O-card A3
10	RQ	438 0299-01	Spacer	Distans	3	
11	1	471 8859-06	Level control	Nivåkontroll	1	
12	1	432 0633-01	Cover	Lock	3	
13	7	762 3211-01	Plug connector	Hylsblock	3	6-pole
14	4	762 3231-01	Plug connector	Hylsblock	3	9-POLE
15	1	762 3251-01	Plug connector	Hylsblock	3	12-POLE
16	1	438 9555-01	Printed circuit board	Kretskort	1,2	Door lock
17	RQ	471 7958-02	Support	Stöd	3	
18	1	432 0550-10	Cable set	Kabelsats	3	1 I/O card
19	1	432 0550-12	Cable set	Kabelsats	3	2 I/O card
20	1	432 0550-13	Cable set	Kabelsats	3	3 I/O card

1



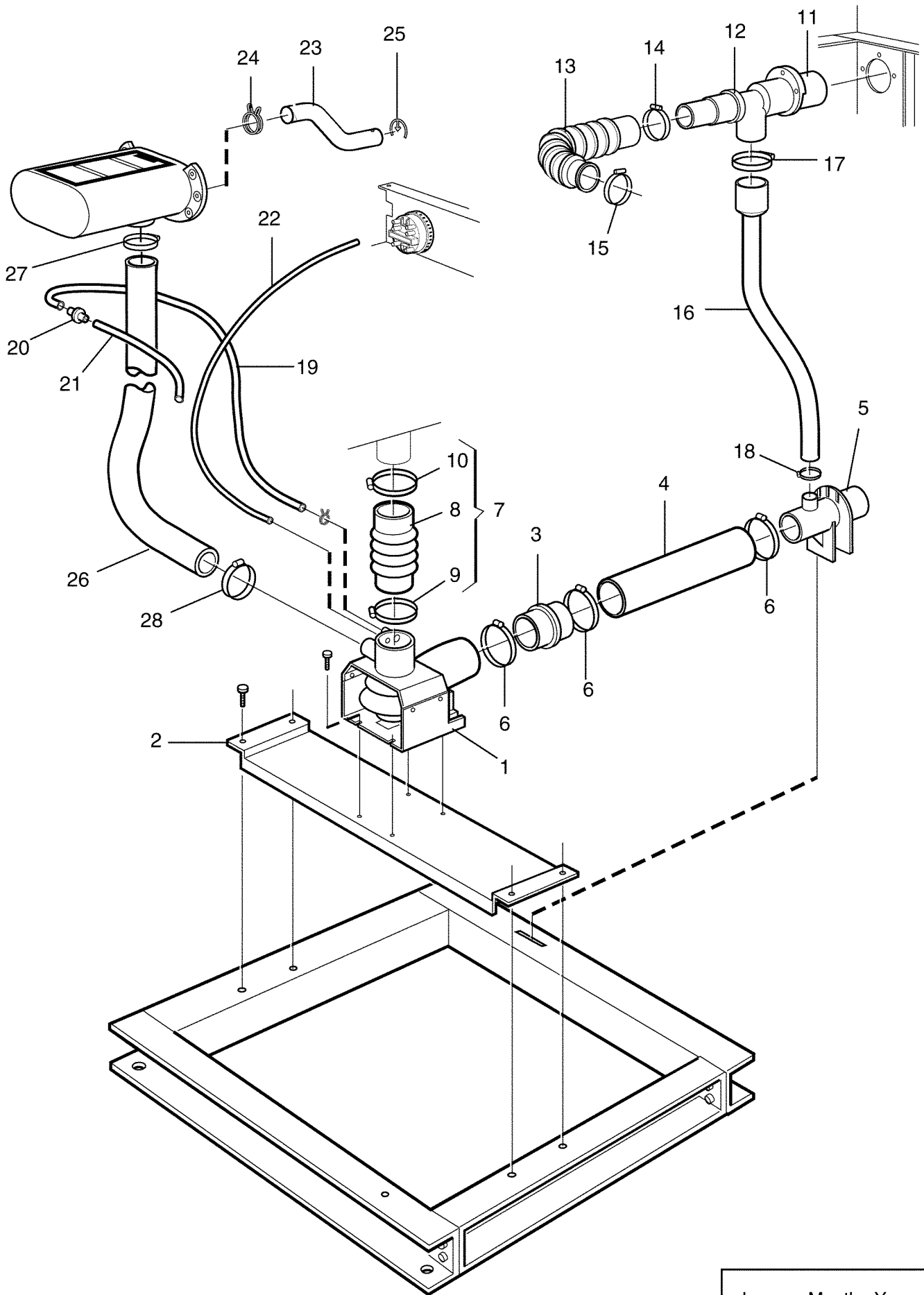
EX50S,FLE225FC,FLE225FC, Aqua Clean,HS2220E,HS2220MP,HS2220MP Aqua Clean,WE225MP**Motor control**

Illustration Issue Month Year

Illustration Utgåva Månad År

Motorstyrning**101625/7 2 6 2000**

Item Pos.	Quantity Antal	Art.No Art.nr	Description	Benämning	Info Info	Notes Anmärkning
			EX50S,HS2220E,WE225MP			
			FLE225FC,FLE225FC, Aqua Clean,HS2220MP,HS2220MP Aqua Clean			
1	1	1	471 9771-01 Motor control	Motorstyrning		Compl.
2	1	1	471 9773-01 •Fan	•Fläkt	1	
3	1	1	471 9774-02 •Fan grill	•Fläktgaller	3	
4	1	1	471 8750-22 •Fuse	•Säkring	1,2	1,6A
5	1	1	432 0550-43 Cable set	Kabelsats	3	Clarus EWD
6	1	1	432 0550-05 Cable set	Kabelsats	3	El. heated
	1	1	432 0550-06 Cable set	Kabelsats	3	El. heated, transformer
	1	1	432 0550-07 Cable set	Kabelsats	3	DS,HW
	1	1	432 0550-08 Cable set	Kabelsats	3	3AC, Japan



Issue	Month	Year
01	10	98

EX50S,FLE225FC,FLE225FC, Aqua Clean,HS2220E,HS2220MP,HS2220MP Aqua Clean,WE225MP

Drain valve and hoses

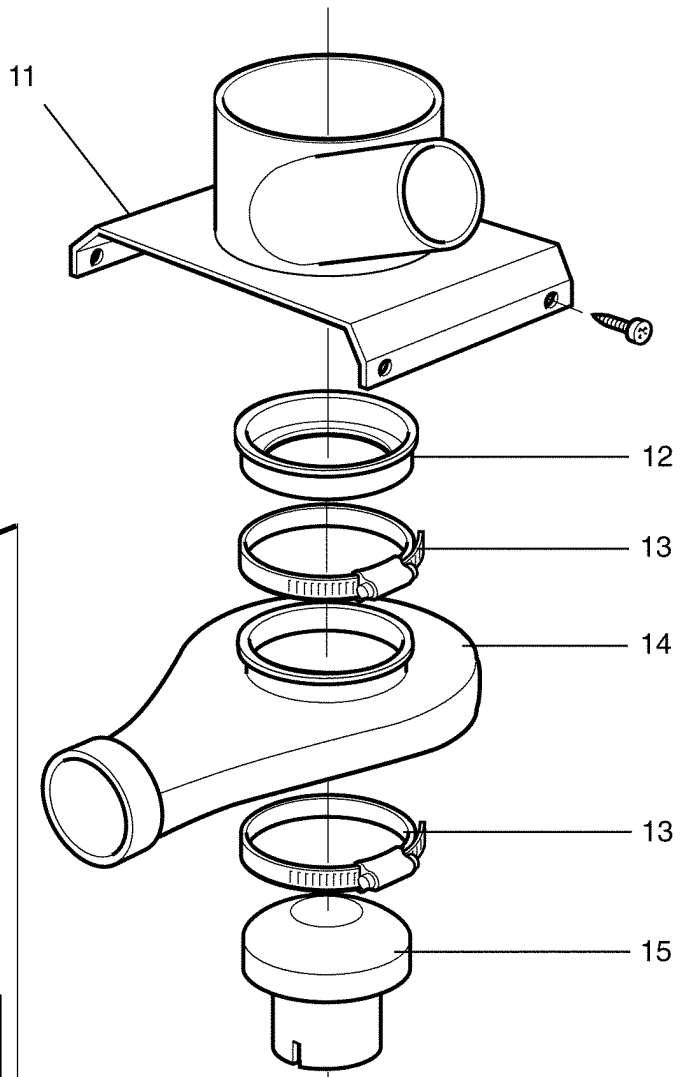
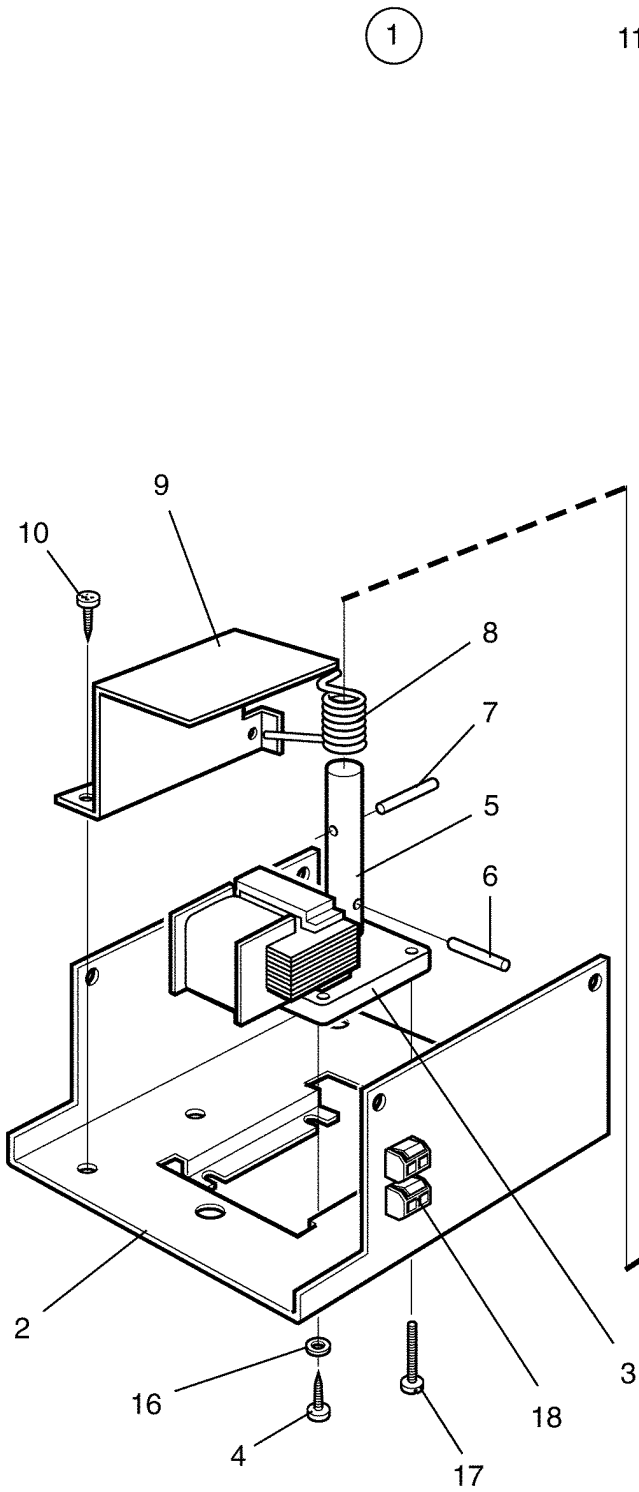
Illustration Issue Month Year

Illustration Utgåva Månad År

Avloppsventil och slangar

101642 5 3 2005

Item Pos.	Quantity Antal	Art.No Art.nr	Description	Benämning	Info Info	Notes Anmärkning
			EX50S,HS2220E,WE225MP			
			FLE225FC,FLE225FC, Aqua Clean,HS2220MP,HS2220MP Aqua Clean			
1	1	472 8754-12	Drain valve	Avloppsventil	1,2	220V 50/60Hz
2	1	432 0723-01	Mounting plate	Fästplåt	3	
3	1	438 0083-01	Joint sleeve	Skarvhylsa	3	
4	1	438 0244-01	Hose	Slang	1,2	
5	1	438 0084-03	Drain pipe connection	Avloppsstos	3	
6	3	736 2846-51	Hose clamp	Slangklämma	3	Ø73-83
7	1	471 6664-60	Repair kit	Renoveringssats	1,2	
8	1		•Hose	•Slang		
9	1		•Hose clamp	•Slangklämma		Ø77-93
10	1		•Hose clamp	•Slangklämma		Ø93-110
11	1	472 6014-00	Connection	Stos	3	
12	1	472 6561-01	Connection	Stos	3	
13	1	472 6025-00	Hose	Slang	1,2	
14	1	736 2119-11	Hose clamp	Slangklämma	3	
15	1	472 6024-00	Ring	Ring	3	
16	1	438 4134-02	Hose	Slang	1,2	
17	1	736 2840-51	Hose clamp	Slangklämma	3	Ø50-63
18	1	736 2831-51	Hose clamp	Slangklämma	3	Ø36-42
19	1	471 5103-04	Hose	Slang	1,2	10/16 L=1270
20	1	471 4651-24	Nipple	Nippel	3	
21	1	471 2433-14	Hose	Slang	1,2	L=940 7,5x4x940
22	1	471 2425-28	Hose	Slang	1,2	L=1500
23	1	438 6026-06	Hose	Slang	3	
24	1	736 2825-51	Hose clamp	Slangklämma	3	Ø32
25	1	438 0127-01	Lock	Lås	3	
26	1	472 6464-01	Hose	Slang	3	
27	1	736 2840-51	Hose clamp	Slangklämma	3	Ø50-63
28	1	736 2837-51	Hose clamp	Slangklämma	3	Ø48-54



EX50S,FLE225FC,FLE225FC, Aqua Clean,HS2220E,HS2220MP,HS2220MP Aqua Clean,WE225MP

Drain valve

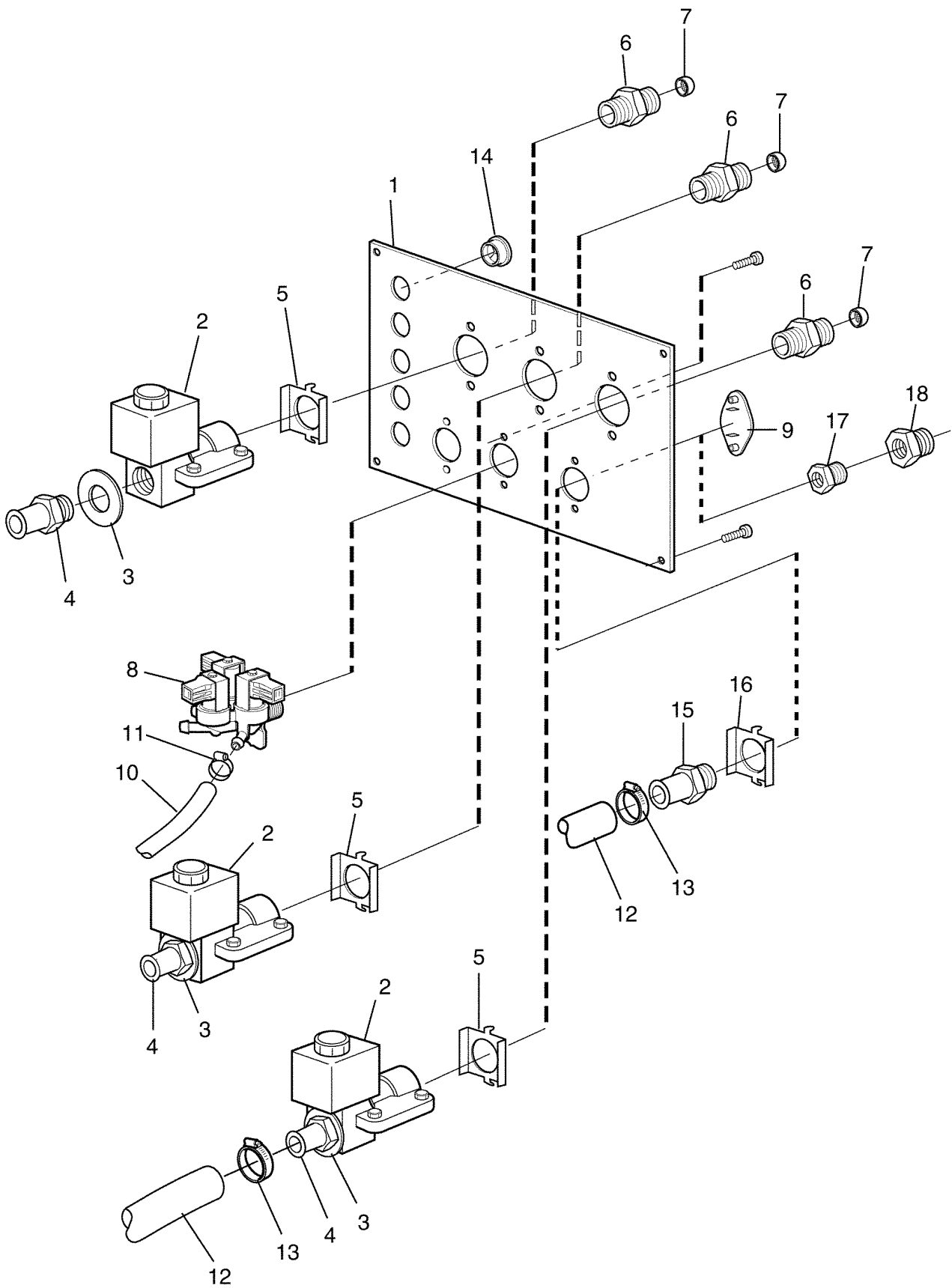
Illustration Issue Month Year

Illustration Utgåva Månad År

Avloppsventil

101794/1 1 4 2000

Item Pos.	Qua. Ant.	Art.No Art.nr	Description	Benämning	Info Info	Notes Anmärkning
1	1	472 8754-12	Drain valve	Avloppsventil	1	220V 50/60Hz
2	1	472 8772-01	•Bracket	•Konsol	3	
3	1	471 9727-01	•Motor	•Motor	1,2	220V 50/60Hz With gear
4	3	471 8341-22	•Screw	•Skruv	3	MRT 5X8
5	1	472 6016-00	•Piston	•Kolvstång	1	
6	1	721 1252-35	•Pin	•Pinne	3	4X12
7	1	472 6017-00	•Shaft	•Axel	1	
8	1	471 7804-01	•Torsion spring	•Vridfjäder	1,2	
9	1	472 6195-01	•Cover	•Skydd	3	
10	2	471 8340-12	Screw	Skruv	3	RTS 3,5X9,5
11	1	472 6011-00	•Hose connection	•Slanganslutning	3	
12	1	472 6012-00	•Rubber ring	•Manschett	1,2	
13	2	736 2849-51	•Hose clamp	•Slangklämma	3	Ø77-93
14	1	438 0028-01	•Hose housing	•Slanghus	1,2	
15	1	472 6015-00	•Piston	•Kolv	1	
16	3	735 2146-01	•Washer	•Bricka	3	M5
17	1	471 8341-29	•Screw	•Skruv	3	M5X40
18	2	762 3131-01	•Insulator	•Isolator	3	



Issue	Month	Year
01	01	99

EX50S,FLE225FC,FLE225FC, Aqua Clean,HS2220E,HS2220MP,HS2220MP Aqua Clean,WE225MP

Water connections

Illustration Issue Month Year

Illustration Utgåva Månad År

Vattenanslutningar

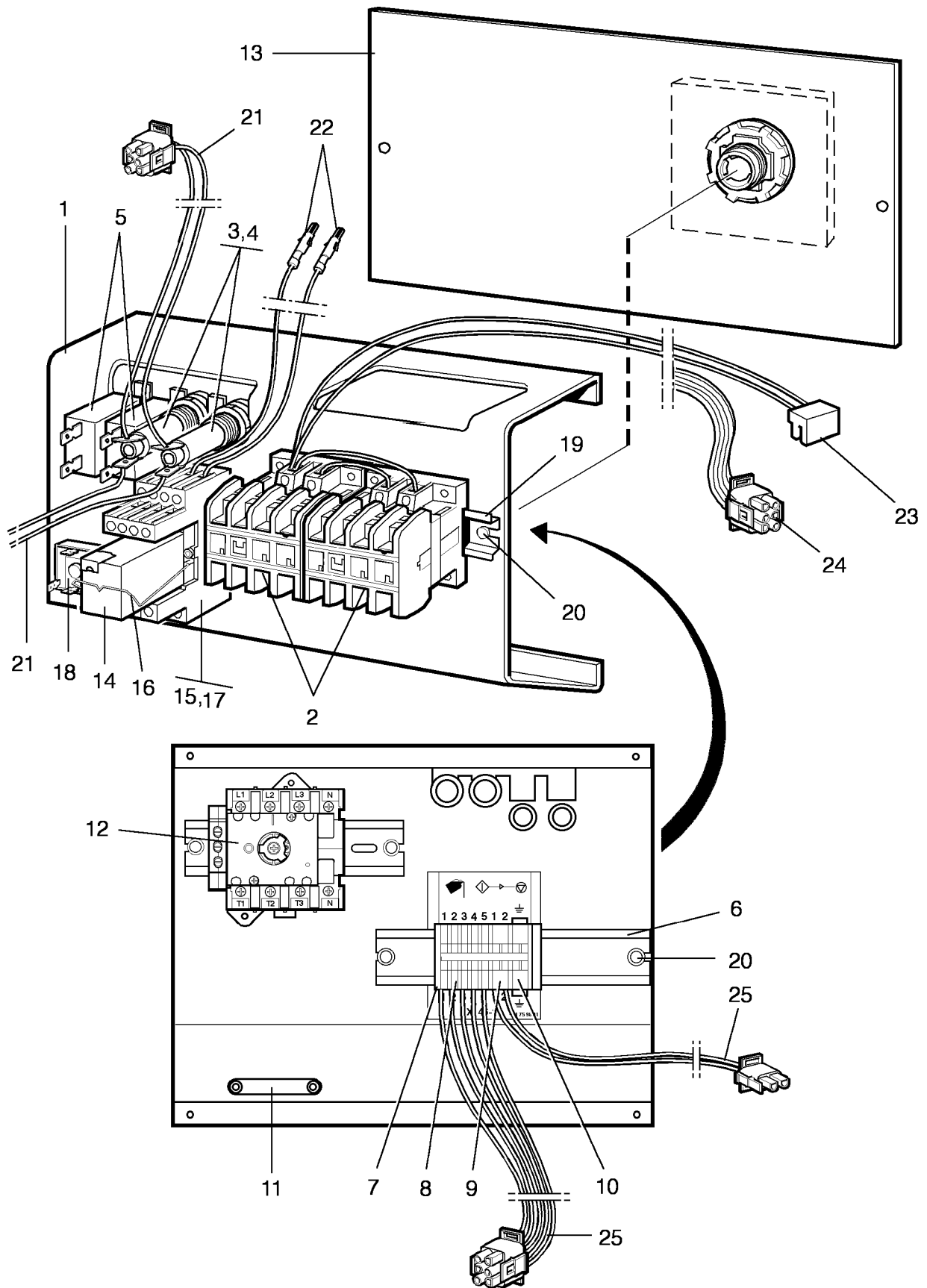
101626/1

2

6

2000

Item Pos.	Quantity Antal	Art.No Art.nr	Description	Benämning	Info Info	Notes Anmärkning
			EX50S,HS2220E,WE225MP			
			FLE225FC,FLE225FC, Aqua Clean,HS2220MP,HS2220MP Aqua Clean			
1	1	432 0629-01	Mounting plate	Fästplåt	3	
2	RQ		Valve	Ventil	3	See group 8125
3	RQ	471 8159-06	Gasket	Packning	3	
4	RQ	471 8623-01	Connection	Koppling	3	1/2"
5	RQ	471 2937-01	Bracket	Vridskydd	3	
6	RQ	471 8693-11	Nipple	Nippel	3	1/2"-3/4"
7	RQ	471 8693-21	Filter	Filter	3	
8	1		Valve 3-ways	Ventil 3-vägs	3	See group 8113
9	RQ	472 6761-01	Cover washer	Täckbricka	3	
10	RQ	877 5211-08	Hose	Slang	1	Per 1 m PER 1M
11	RQ	736 2816-51	Hose clamp	Slangklämma	3	Ø13-19
12	RQ	877 5252-01	Hose	Slang	1	Per 1 m Per 1 M
13	RQ	736 2825-51	Hose clamp	Slangklämma	3	Ø32
14	5	471 7967-01	Bushing	Bussning	3	
15	1	471 8623-01	Connection	Koppling	3	1/2"
16	1	471 2937-02	Bracket	Vridskydd	3	
17	1	741 4114-20	Bushing	Bussning	3	R 3/4"/1/2"
18						NOT USED
19	1	432 0550-75	Cable set	Kabelsats	3	Clarus Cold/hot water Not illustrated
	1	432 0550-76	Cable set	Kabelsats	3	Clarus Cold water, cold hard water, hot water Not illustrated
	1	432 0550-77	Cable set	Kabelsats	3	Gen 5 Cold/hot water Not illustrated
	1	432 0550-78	Cable set	Kabelsats	3	Gen 5 Cold hard water Not illustrated
	1	432 0550-79	Cable set	Kabelsats	3	Clarus Cold water, hot water, USA Not illustrated



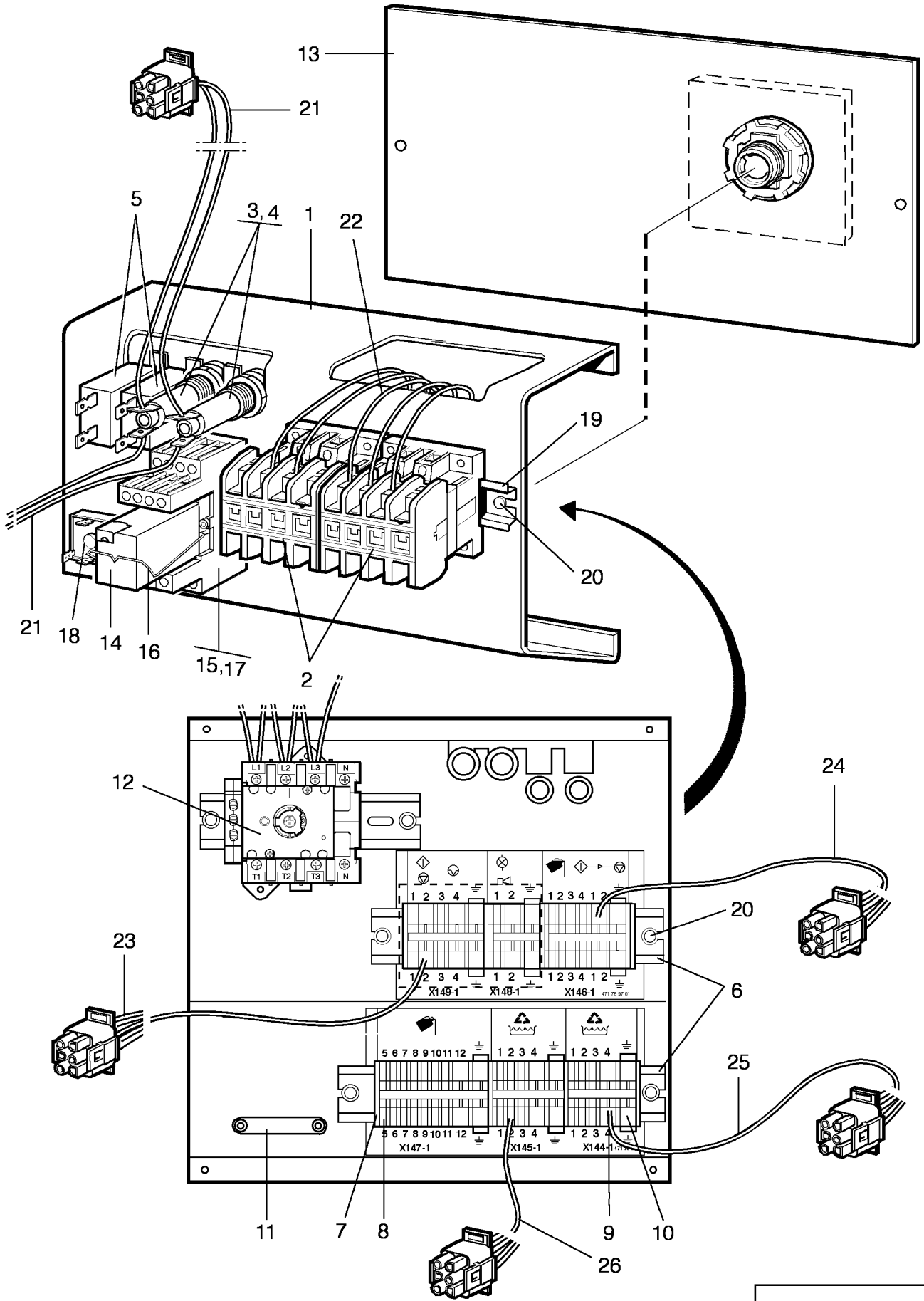
EX50S,HS2220E,WE225MP

Electric components

Elkomponenter

Illustration Issue Month Year
Illustration Utgåva Månad År
101651/2 4 9 2002

Item Pos.	Qua. Ant.	Art.No Art.nr	Description	Benämning	Info Info	Notes Anmärkning
1	1	432 0631-01	Mounting plate	Monteringsplåt	3	
2	1	438 9636-72	Contactora	Kontaktor	1,2	50Hz, K3-22
	1	438 9636-73	Contactora	Kontaktor	1,2	60Hz
	2	438 9636-02	Contactora	Kontaktor	1,2	50Hz
	2	438 9636-03	Contactora	Kontaktor	1,2	60Hz
3	2	471 8750-11	Fuse	Säkring	1,2	1,25A 5X20MM
4	2	471 8756-51	Insert	Insats	1,2	5X20MM
5	2	471 8777-02	Circuit breaker	Automatsäkring	1,2	16A
6	1	471 7182-23	Rail	Skena	3	
7	6	471 8781-11	Block	Plint	3	
8	RQ	471 8781-02	Block	Plint	3	Orange
9	RQ	471 8781-01	Block	Plint	3	Grey
10	RQ	471 8781-03	Block	Plint	3	Yellow/Green
11	1	471 7859-11	Clamp	Klämma	3	
	1	471 7859-16	Clamp	Klämma	3	Upper part
12	1	471 9678-11	Main switch	Huvudbrytare	1,2	3-pole, 25A -00/12266
	1	471 9678-41	Main switch	Huvudbrytare	1,2	3-pole, 25A 00/12267-
	1	471 9678-13	Main switch	Huvudbrytare	1,2	-00/12375
	1	471 9678-43	Main switch	Huvudbrytare	1,2	00/12376-
	1	471 9678-14	Main switch	Huvudbrytare	1,2	3-pole, 63A -00/12375
	1	471 9678-44	Main switch	Huvudbrytare	1,2	3-pole, 63A 00/12376-
	1	471 9678-21	Main switch	Huvudbrytare	1,2	4-pole, 25A -00/12303
	1	471 9678-51	Main switch	Huvudbrytare	1,2	4-pole, 25A 00/12304-
	1	471 9678-23	Main switch	Huvudbrytare	1,2	4-pole, 40A -00/12375
	1	471 9678-53	Main switch	Huvudbrytare	1,2	4-pole, 40A 00/12376-
	1	471 9678-24	Main switch	Huvudbrytare	1,2	4-pole, 63A -00/12303
	1	471 9678-54	Main switch	Huvudbrytare	1,2	4-pole, 63A 00/12304-
	1	471 9678-94	Knob	Vred	3	00/12267-
13	1	432 0639-01	Cover	Lock	3	
14	1	471 9649-05	Relay	Relä	1,2	
15	1	471 9649-02	Socket	Socket	1	
16	1	471 9649-12	Clamp	Bygel	3	
17	2	471 8342-07	Screw	Skruv	3	
18	1	471 9573-02	Rectifier	Likriktare	1,2	
19	1	471 7182-22	Rail	Skena	3	
20	6	471 8342-11	Screw	Skruv	3	MRT-TT 4X6
21	1	432 0550-01	Cable set	Kabelsats	3	
22	1	472 6498-02	Cable set	Kabelsats	3	
23	1	432 0550-60	Cable set	Kabelsats	3	Exacta
24	1	432 0550-62	Cable set	Kabelsats	3	Clarus
25	1	432 0550-91	Cable set	Kabelsats	3	



Issue	Month	Year
02	06	00

FLE225FC,FLE225FC, Aqua Clean,HS2220MP,HS2220MP Aqua Clean

Electric components

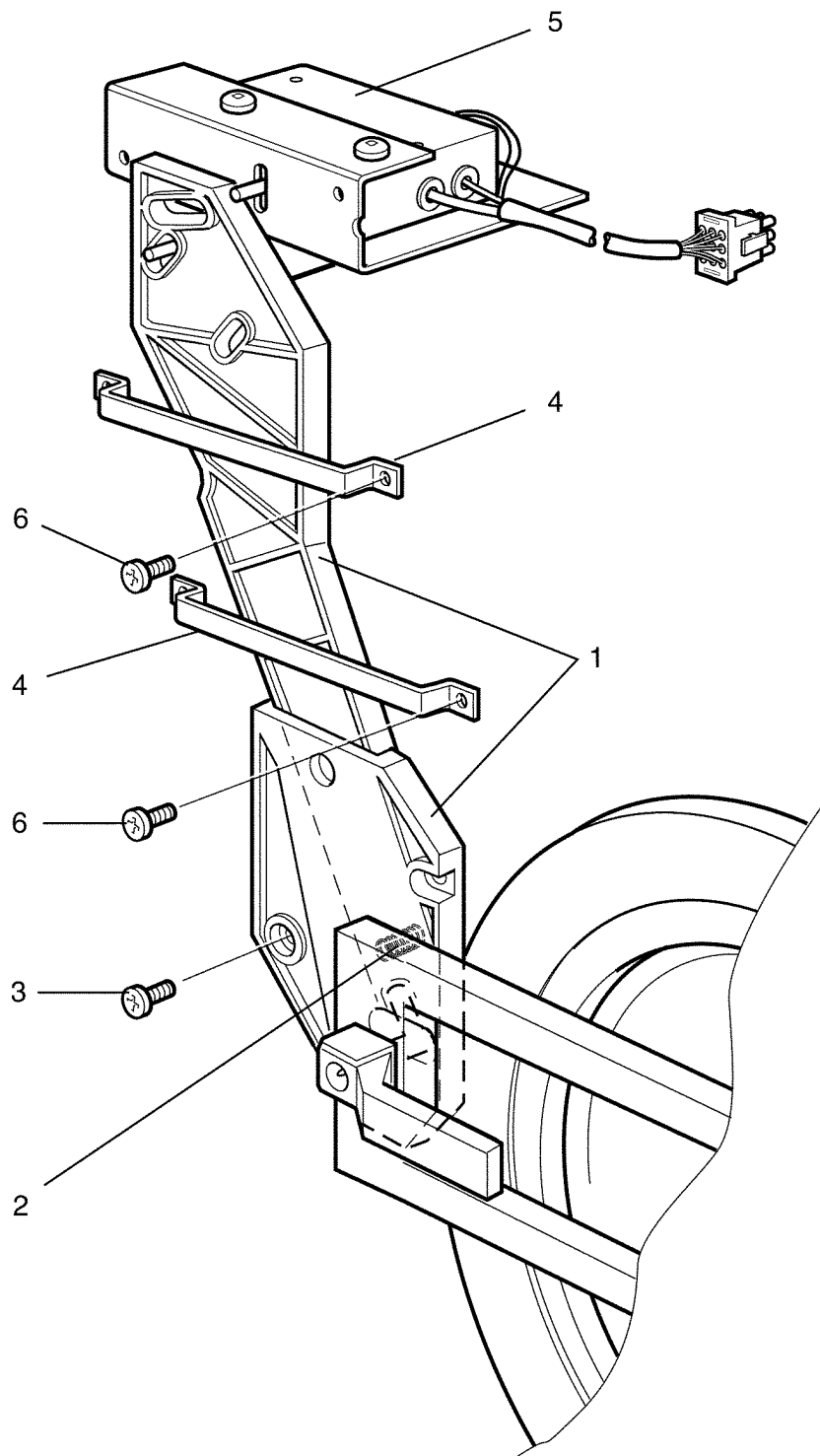
Illustration Issue Month Year

Illustration Utgåva Månad År

Elkomponenter

101636/2 4 9 2002

Item Pos.	Qua. Ant.	Art.No Art.nr	Description	Benämning	Info Info	Notes Anmärkning
1	1	432 0631-01	Mounting plate	Monteringsplåt	3	
2	1	438 9636-72	Contactora	Kontaktor	1,2	50Hz, K3-22
	1	438 9636-73	Contactora	Kontaktor	1,2	60Hz
	2	438 9636-02	Contactora	Kontaktor	1,2	50Hz
	2	438 9636-03	Contactora	Kontaktor	1,2	60Hz
3	2	471 8750-11	Fuse	Säkring	1,2	1,25A 5X20MM
4	2	471 8756-51	Insert	Insats	1,2	5X20MM
5	2	471 8777-02	Circuit breaker	Automatsäkring	1,2	16A
6	2	471 7182-23	Rail	Skena	3	
7	6	471 8781-11	Block	Plint	3	
8	RQ	471 8781-02	Block	Plint	3	Orange
9	RQ	471 8781-01	Block	Plint	3	Grey
10	RQ	471 8781-03	Block	Plint	3	Yellow/Green
11	1	471 7859-11	Clamp	Klämma	3	
	1	471 7859-16	Clamp	Klämma	3	Upper part
12	1	471 9678-11	Main switch	Huvudbrytare	1,2	3-pole, 25A -00/12266
	1	471 9678-41	Main switch	Huvudbrytare	1,2	3-pole, 25A 00/12267-
	1	471 9678-13	Main switch	Huvudbrytare	1,2	-00/12375
	1	471 9678-43	Main switch	Huvudbrytare	1,2	00/12376-
	1	471 9678-14	Main switch	Huvudbrytare	1,2	3-pole, 63A -00/12375
	1	471 9678-44	Main switch	Huvudbrytare	1,2	3-pole, 63A 00/12376-
	1	471 9678-21	Main switch	Huvudbrytare	1,2	4-pole, 25A -00/12303
	1	471 9678-51	Main switch	Huvudbrytare	1,2	4-pole, 25A 00/12304-
	1	471 9678-23	Main switch	Huvudbrytare	1,2	4-pole, 40A -00/12375
	1	471 9678-53	Main switch	Huvudbrytare	1,2	4-pole, 40A 00/12376-
	1	471 9678-24	Main switch	Huvudbrytare	1,2	4-pole, 63A -00/12303
	1	471 9678-54	Main switch	Huvudbrytare	1,2	4-pole, 63A 00/12304-
	1	471 9678-94	Knob	Vred	3	00/12267-
13	1	432 0639-01	Cover	Lock	3	
14	1	471 9649-05	Relay	Relä	1,2	
15	1	471 9649-02	Socket	Socket	1	
16	1	471 9649-12	Clamp	Bygel	3	
17	2	471 8342-07	Screw	Skruv	3	
18	1	471 9573-02	Rectifier	Likriktare	1,2	
19	1	471 7182-22	Rail	Skena	3	
20	8	471 8342-11	Screw	Skruv	3	MRT-TT 4X6
21	1	432 0550-01	Cable set	Kabelsats	3	
22	1	432 0550-57	Cable set	Kabelsats	3	AWG 12
	1	432 0550-58	Cable set	Kabelsats	3	AWG 10
23	1	432 0550-98	Cable set	Kabelsats	3	
24	1	432 0550-95	Cable set	Kabelsats	3	
25	1	432 0550-35	Cable set	Kabelsats	3	
26	1	432 0550-36	Cable set	Kabelsats	3	



Issue	Month	Year
01	01	99

EX50S,FLE225FC,FLE225FC, Aqua Clean,HS2220E,HS2220MP,HS2220MP Aqua Clean,WE225MP

Door locking system

Illustration Issue Month Year

Illustration Utgåva Månad År

Lucklåssystem

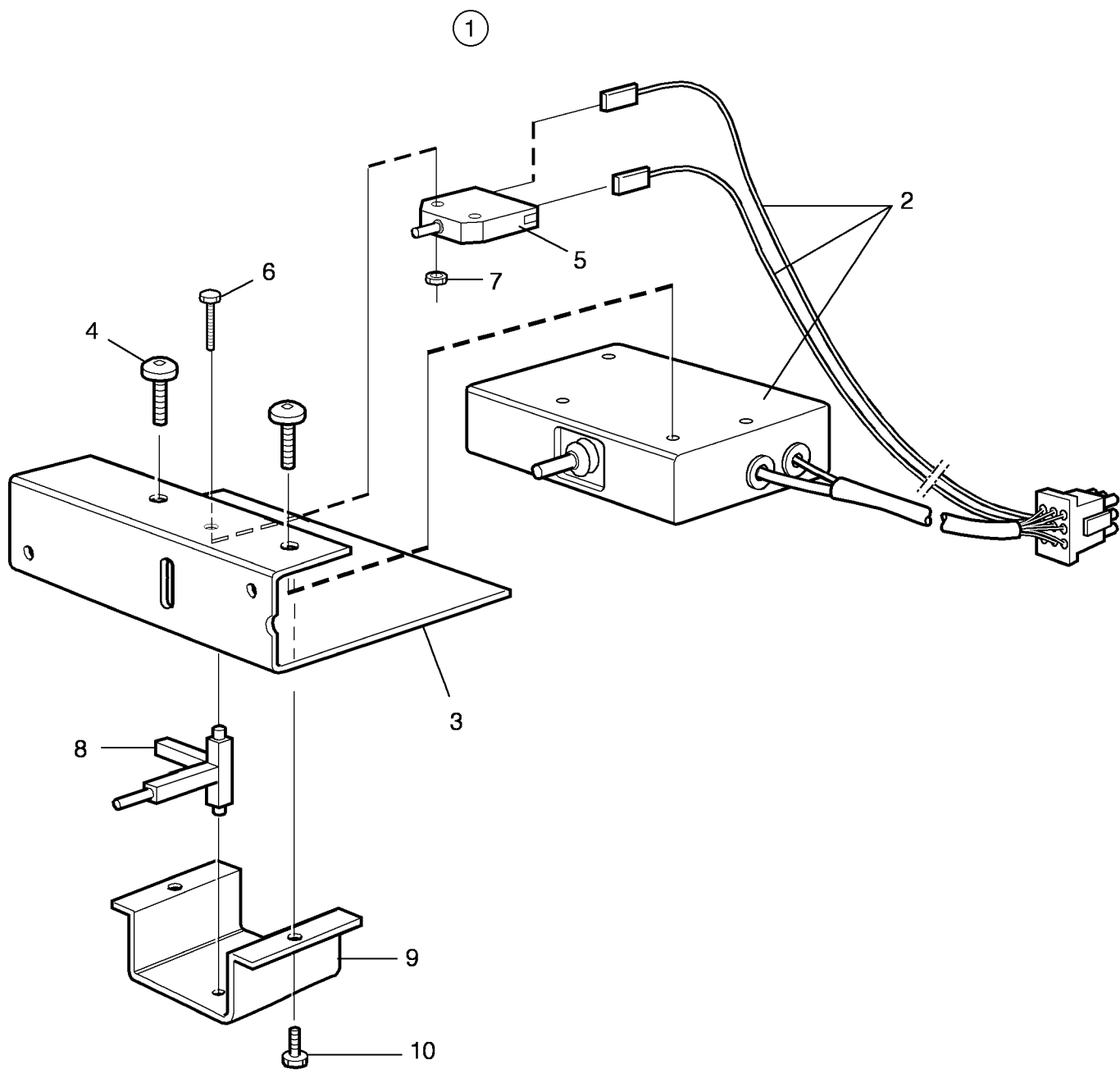
101640

2

9

2002

Item Pos.	Quantity Antal	Art.No Art.nr	Description	Benämning	Info Info	Notes Anmärkning
			EX50S,HS2220E,WE225MP			
			FLE225FC,FLE225FC, Aqua Clean,HS2220MP,HS2220MP Aqua Clean			
1	1	1	472 9901-33 Arm and plate	Arm och platta	1	Kit compl
2	1	1	471 7803-21 •Spring	•Fjäder	3	
3	4	4	471 8342-44 Screw	Skruv	3	MRT-TT 6X12
4	2	2	472 9187-01 Clamp	Bygel	3	
5	1	1	Door locking device	Lucklås	1,2	See illustr. 101637
6	4	4	471 8342-11 Screw	Skruv	3	MRT-TT 4X6



EX50S,FLE225FC,FLE225FC, Aqua Clean,HS2220E,HS2220MP,HS2220MP Aqua Clean,WE225MP

Door locking device

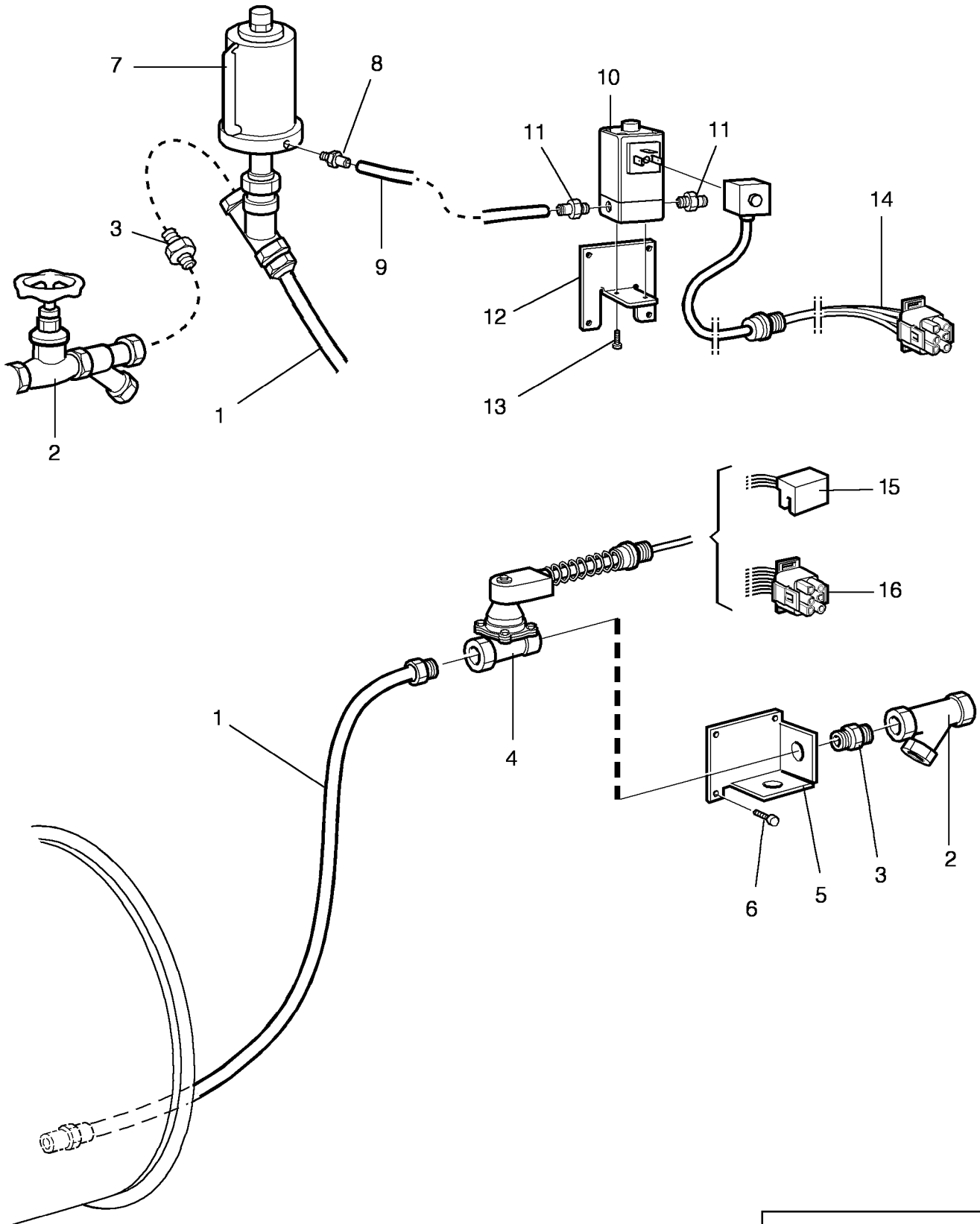
Illustration Issue Month Year

Illustration Utgåva Månad År

Lucklås

101637/2 3 6 2000

Item Pos.	Quantity Antal	Art.No Art.nr	Description	Benämning	Info Info	Notes Anmärkning
			EX50S,HS2220E,WE225MP			
			FLE225FC,FLE225FC, Aqua Clean,HS2220MP,HS2220MP Aqua Clean			
1	1	1	432 0555-01 Door locking device	Lucklås		
2	1	1	432 0550-22 •Actuator	•Aktuator	1,2	With cablage
3	1	1	432 0637-01 •Mounting plate	•Fästplåt	3	
4	2	2	471 8341-24 •Screw	•Skruv	3	M5X12
5	1	1	471 9654-03 •Microswitch	•Microbrytare	1,2	
6	2	2	471 8341-17 •Screw	•Skruv	3	M4X25
7	2	2	732 2112-01 •Locking nut	•Låsmutter	3	M4
8	1	1	438 4149-01 •Rocker arm	•Vipparm	3	
9	1	1	432 0638-01 •Mounting plate	•Fästplåt	3	
10	2	2	471 8342-11 •Screw	•Skruv	3	MRT-TT 4X6



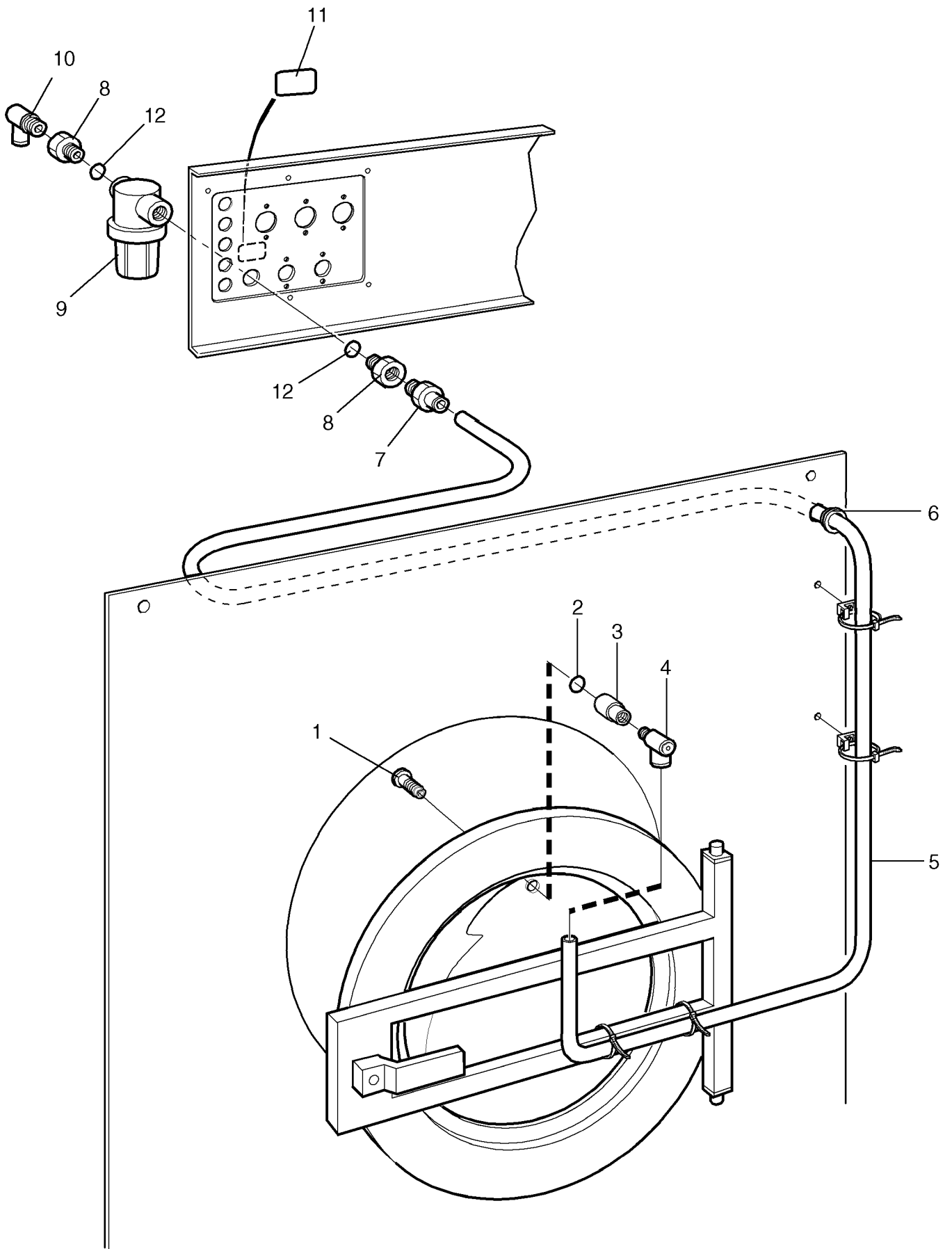
EX50S,FLE225FC,FLE225FC, Aqua Clean,HS2220E,HS2220MP,HS2220MP Aqua Clean,WE225MP**Steam components**

Illustration Issue Month Year

Illustration Utgåva Månad År

Ångdetaljer**101652/3****4****8****2001**

Item Pos.	Quantity Antal	Art.No Art.nr	Description	Benämning	Info Info	Notes Anmärkning
			EX50S,HS2220E,WE225MP			
			FLE225FC,FLE225FC, Aqua Clean,HS2220MP,HS2220MP Aqua Clean			
1	1	471 8126-14	Hose	Slang	1,2	L=1350
2	1	471 9004-46	Filter	Filter	1,2	
3	1	741 3113-21	Nipple	Nippel	3	
4	1	471 8279-03	Valve	Ventil	1,2	50/60 Hz
	1	471 8279-08	•Repair kit	•Reparationsats	1,2	
5	1	472 6173-01	Bracket	Hållare	3	
6	4	729 9342-61	Screw	Skruv	3	4,2X13
7	1	471 8232-10	Valve	Ventil	1,2	Air controlled
8	1	471 8690-31	Connection	Koppling	3	
9	1	471 2453-46	Hose	Slang	1	L=1650
10	1	471 9202-32	Solenoid valve	Magnetventil	1,2	50Hz
11	2	471 8690-32	Connection	Koppling	3	
12	1	432 0732-01	Mounting plate	Fästplåt	3	
13	RQ	471 8342-13	Screw	Skruv	3	MRT-TT 4X10
14	1	432 0550-64	Cable set	Kabelsats	3	
15	1	432 0550-61	Cable set	Kabelsats	3	Exacta
16	1	432 0550-63	Cable set	Kabelsats	3	Clarus



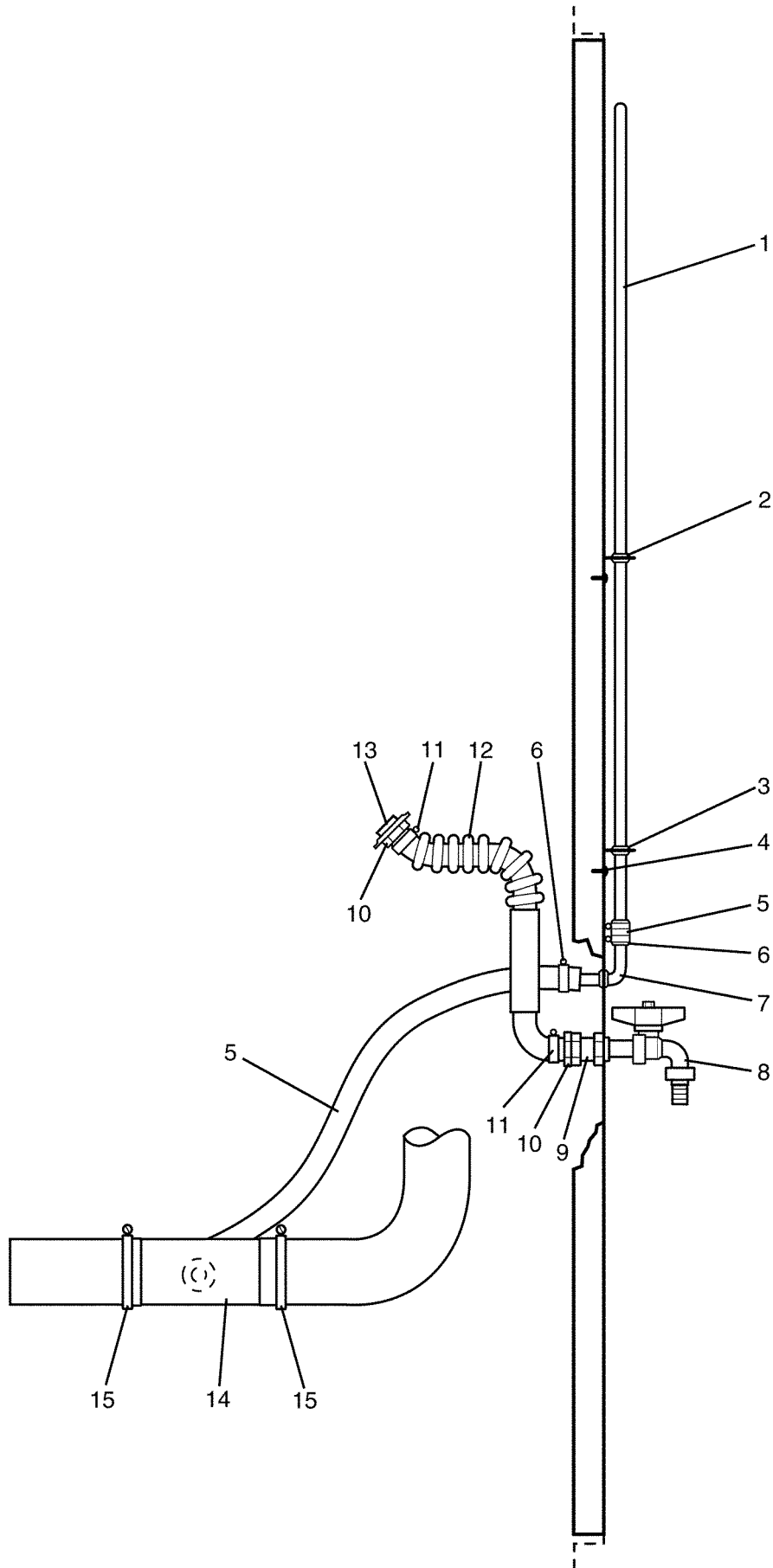
FLE225FC, Aqua Clean,HS2220MP Aqua Clean**Spray system**

Illustration Issue Month Year

Illustration Utgåva Månad År

Spraysystem**101653/3 3 3 2005**

Item Pos.	Qua. Ant.	Art.No Art.nr	Description	Benämning	Info Info	Notes Anmärkning
1	1	471 9883-02	Nozzle	Munstycke	1	
2	2	740 4209-00	O-ring	O-ring	1	
3	1	471 9884-01	Muff	Muff	3	
4	1	471 8690-21	Angle connector	Vinkelkoppling	3	8/6
5	1	471 8143-01	Tube	Rör	1,2	L=3000
6	1	762 1116-10	Grommet	Genomföring	3	
7	1	471 8688-14	Nipple	Nippel	3	
8	2	471 8636-20	Nipple	Nippel	3	
9	1	438 4125-01	Filter	Filter	1,2	
10	1	471 8690-28	Angle connector	Vinkelkoppling	3	
11	1	471 4672-08	Sign	Skylt	3	
12	1	740 4811-03	O-ring	O-ring	3	



Issue	Month	Year
02	01	99

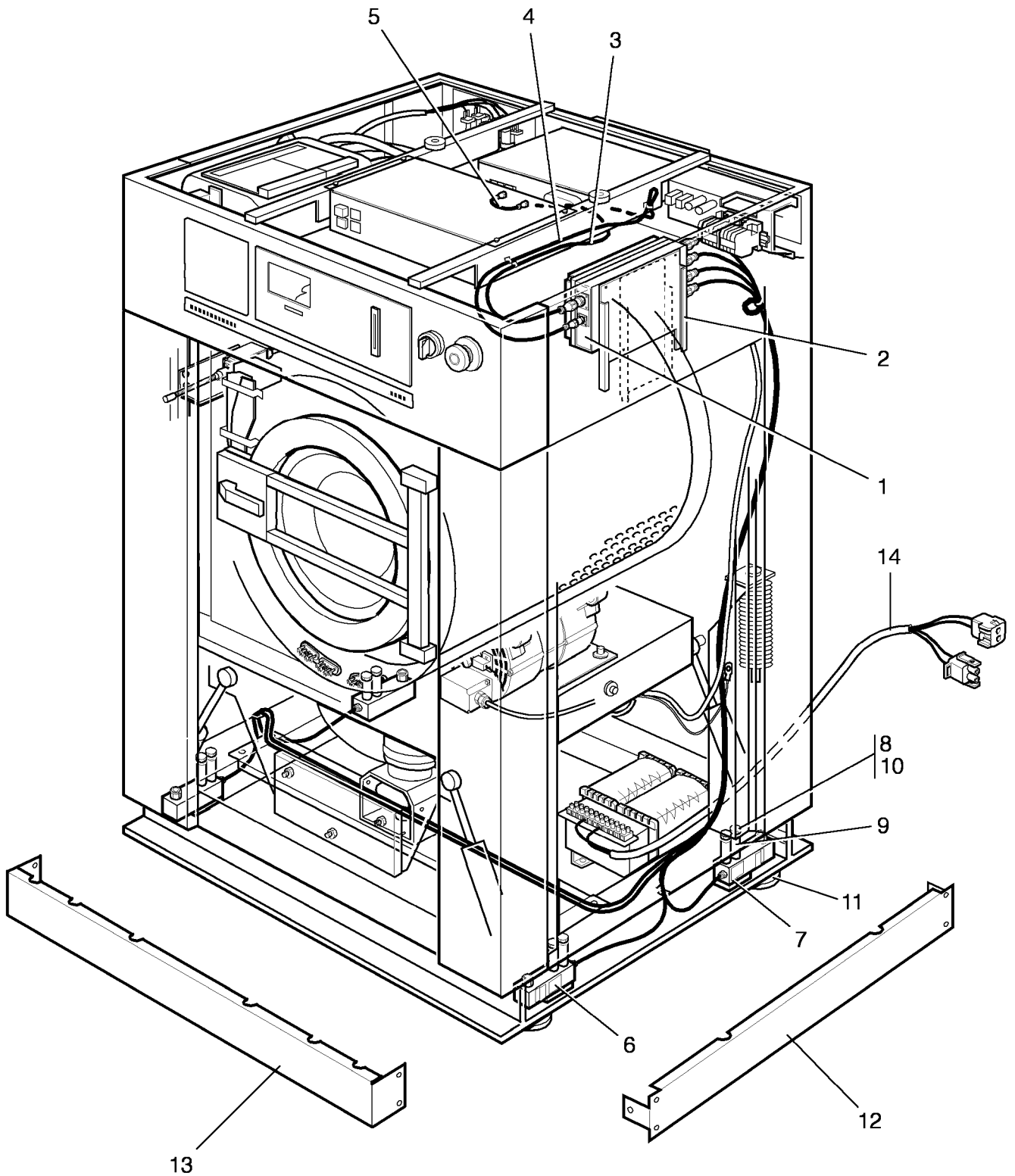
FLE225FC,FLE225FC, Aqua Clean,HS2220MP,HS2220MP Aqua Clean

Level tube and test tap

Illustration Issue Month Year
Illustration Utgåva Månad År
101398/2 1 2 1999

Nivårör och provtagningskran

Item Pos.	Qua. Ant.	Art.No Art.nr	Description	Benämning	Info Info	Notes Anmärkning
1	1	471 8665-03	Glass gauge	Nivårör	3	
2	3	471 8164-01	Grommet	Genomföring	3	
3	2	471 2841-01	Bracket	Fäste	3	
4	4	471 8344-13	Screw	Skruv	3	M4X10
5	RQ	877 5211-08	Hose	Slang	1	Per 1 m
6	4	736 2816-51	Hose clamp	Slangklämma	3	Ø13-19
7	1	472 6345-01	Elbow	Böj	3	
8	1	471 8238-01	Tap	Kran	3	
9	1	471 8690-04	Muff	Muff	3	
10	2	471 8623-01	Connection	Koppling	3	1/2"
11	2	736 2825-51	Hose clamp	Slangklämma	3	Ø32
12	1	438 5032-02	Hose	Slang	1	
13	1	472 6502-02	Mounting plate	Fästplåt	3	
14	1	471 4670-15	T-pipe	T-rör	3	
15	2	736 2840-51	Hose clamp	Slangklämma	3	Ø50-63



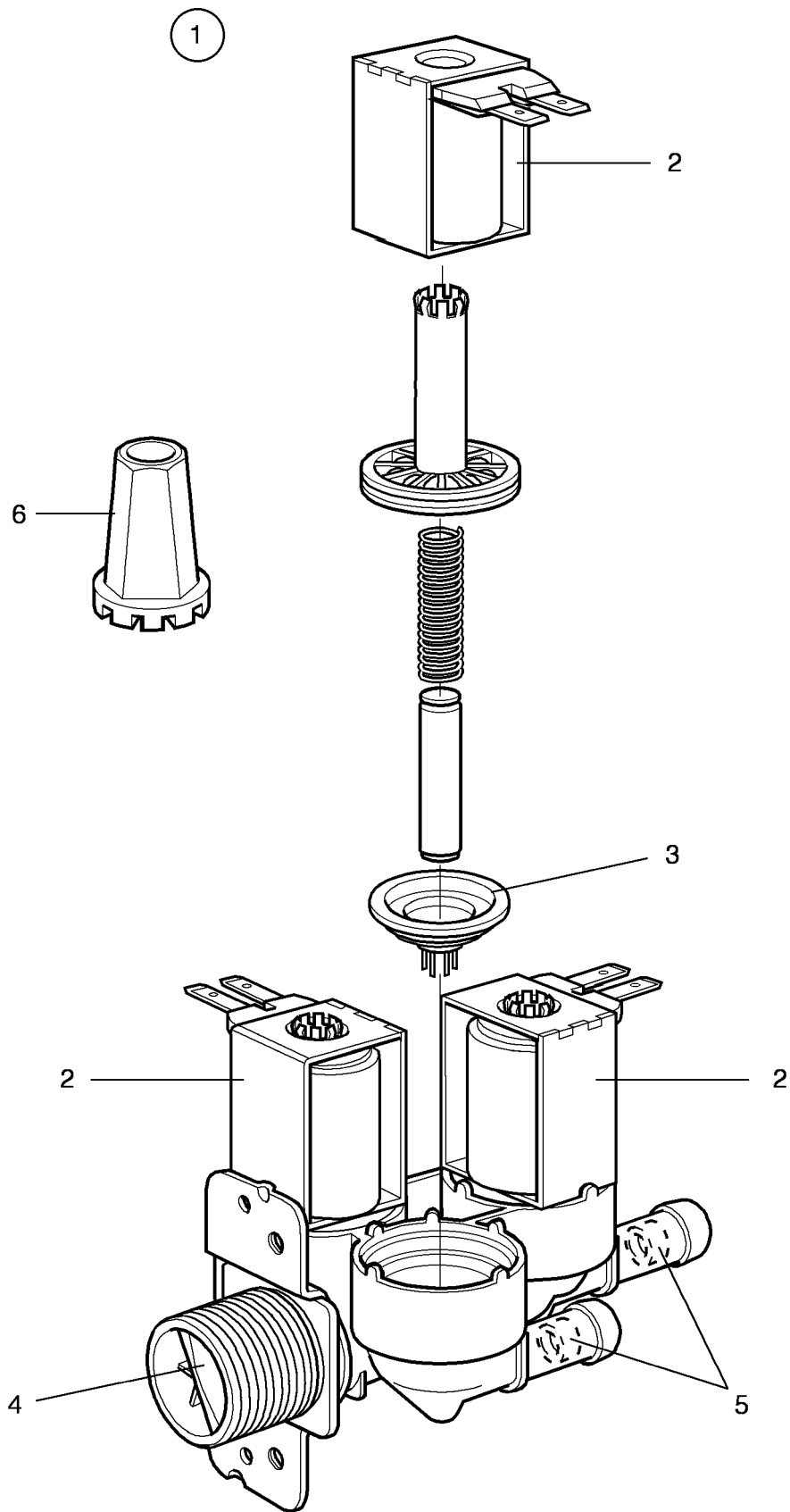
FLE225FC,FLE225FC, Aqua Clean,HS2220MP,HS2220MP Aqua Clean**Weighing device**

Illustration Issue Month Year

Illustration Utgåva Månad År

Vågenhet**101666/2 2 6 2000**

Item Pos.	Qua. Ant.	Art.No Art.nr	Description	Benämning	Info Info	Notes Anmärkning
1	1	471 8822-01	Weighing device	Vågenhet	3	RS 232 interface
2	1	432 0541-01	Mounting plate	Fästplåt	3	
3	1	471 8822-23	Cable	Kabel	1	Signal
4	1	471 8822-21	Cable	Kabel		Voltage Voltage
5	1	432 0550-97	Cable	Kabel	1	Communication
6	4	471 8822-11	Load cell	Lastcell	1	With cablage
7	4	432 0469-01	Spacer washer	Distansbricka	3	
8	8	725 2558-51	Screw	Skruv	3	M12X130
9	8	432 0641-03	Spacer tube	Distansrör	3	
10	8	732 2122-01	Locking nut	Låsmutter	3	M12
11	4	438 8154-01	Foot	Fot	3	
12	2	432 0739-01	Mounting plate	Fästplåt	3	
13	1	432 0740-01	Front panel	Frontplåt	3	
14	1	432 0550-09	Cable set	Kabelsats	3	



EX50S,FLE225FC,FLE225FC, Aqua Clean,HS2220E,HS2220MP,HS2220MP Aqua Clean,WE225MP

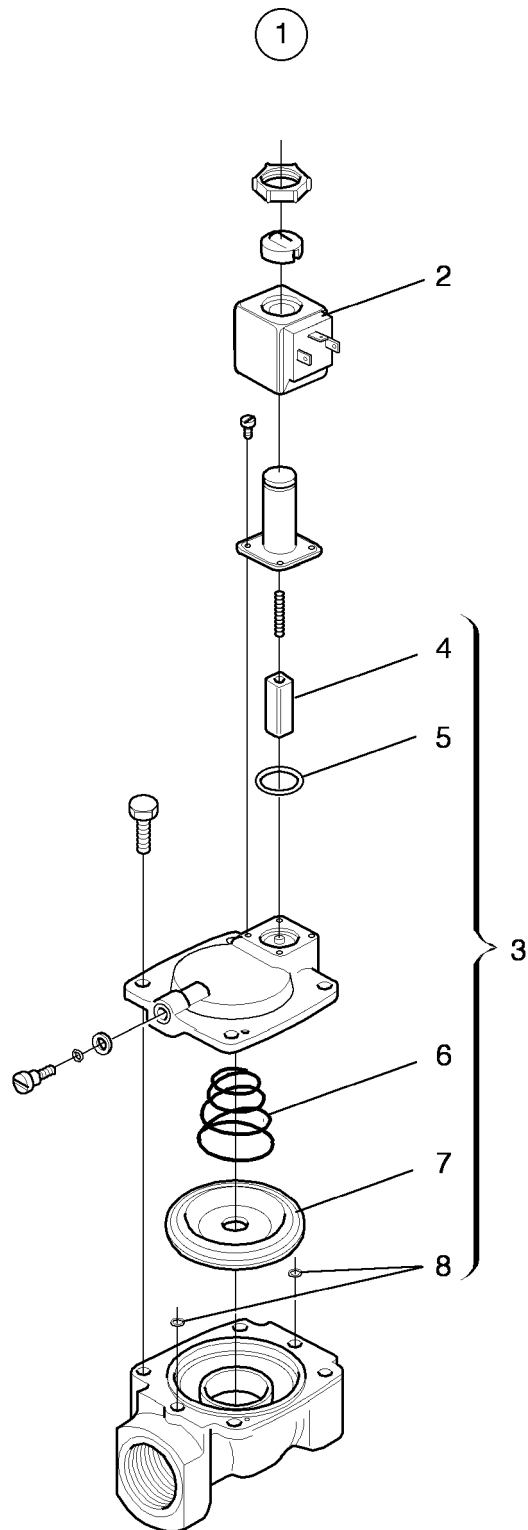
Inlet valve 3/4", 3-way

Illustration Issue Month Year
Illustration Utgåva Månad År

Tilloppsventil 3/4",3-vägs

100046/3 4 9 1995

Item Pos.	Qua. Ant.	Art.No Art.nr	Description	Benämning	Info Info	Notes Anmärkning	
1	1	471 8236-01	Valve	Ventil	1,2	208-240V 50Hz 3-way NITRIL COMPL. RESTRICTION 20/20/20L/MIN	
	1	471 8236-07	Valve	Ventil	1,2	60Hz 3-way NITRIL COMPL. RESTRICTION 20/20/20L/MIN	
	1	471 8236-02	Valve	Ventil	1,2	208-240V 50Hz 3-way NITRIL COMPL. RESTRICTION 5,5/20/20L/MIN	
	1	471 8236-08	Valve	Ventil	1,2	60Hz 3-way NITRIL COMPL. RESTRICTION 5,5/20/20L/MIN	
	1	471 8236-09	Valve	Ventil	1,2	EPDM 208-240V 50Hz 3-way Complete RESTRICTION 5,5/20/20L/MIN	
	1	471 8236-03	Valve	Ventil	1,2	EPDM 208-240V 60Hz 3-way USA COMPL. RESTRICTION 5,5/20/20L/MIN	
	1	471 8236-04	Valve	Ventil	1,2	120V 60Hz 3-way USA COMPL. RESTRICTION 5,5/20/20L/MIN	
	1	471 8236-05	Valve	Ventil	1,2	EPDM 208-240V 60Hz 3-way USA COMPL. RESTRICTION 20/20/20L/MIN	
	1	471 8236-06	Valve	Ventil	1,2	EPDM 120V 60Hz USA COMPL. RESTRICTION 20/20/20L/MIN	
	1	471 8236-12	Valve	Ventil	1,2	208-240V 50Hz 3-way NITRIL COMPL. RESTRICTION 5,5/20/2,5L/MIN	
	1	471 8236-13	Valve	Ventil	1,2	EDPM 208-240V 60Hz 3-way Complete RESTRICTION 5,5/20/2,5L/MIN	
	1	471 8236-14	Valve	Ventil	1,2	208-240V 50Hz Complete Restriction 5/5-/l/min	
	1	471 8236-15	Valve	Ventil	1,2	208-240V 60Hz	
	2	3	471 6696-37	•Coil	•Spole	1,2	208-240V 50Hz
		3	471 6696-33	•Coil	•Spole	1,2	208-240V 60Hz
3		471 6696-71	•Coil	•Spole	1,2	120V 50Hz	
3	3	471 6696-32	•Coil	•Spole	1,2	120V 60Hz	
	3	471 8234-98	•Diaphragm	•Membran	1,2	NITRIL	
	3	471 8234-92	•Diaphragm	•Membran	1,2	EPDM	
4	1	471 8234-94	•Filter	•Filter	1		
5	1	471 8234-95	•Restrictor	•Strypbricka	1	2,5l/min	
	1	471 8234-96	•Restrictor	•Strypbricka	1	5,5l/min	
	1	471 8234-97	•Restrictor	•Strypbricka	1	10l/min	
6	1	471 4792-01	Tool	Verktyg	1		



EX50S,FLE225FC,FLE225FC, Aqua Clean,HS2220E,HS2220MP,HS2220MP Aqua Clean,WE225MP

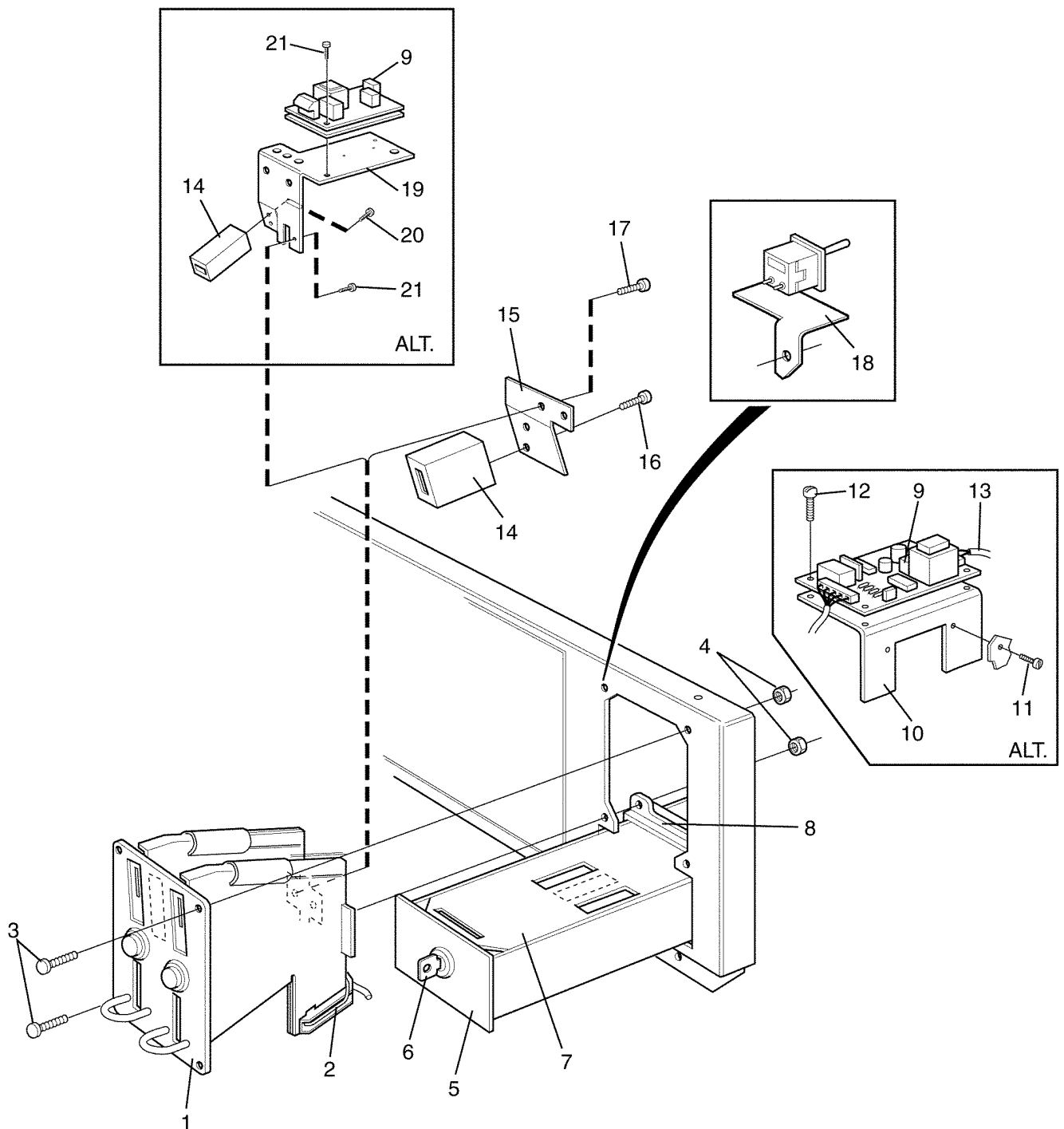
Inlet valve 1/2", 3/4", 1", 1 1/4", 2"

Illustration Issue Month Year
Illustration Utgåva Månad År

Tilloppsventil 1/2",3/4",1",1 1/4",2"

100568 4 3 2003

Item Pos.	Qua. Ant.	Art.No Art.nr	Description	Benämning	Info Info	Notes Anmärkning	
1	1	471 8210-02	Valve	Ventil	1,2	1/2" 220-240V 50Hz Complete	
	1	471 8210-01	Valve	Ventil	1,2	1/2" 208-230V 60Hz Complete	
	1	471 8210-03	Valve	Ventil	1,2	1/2" 115V 60Hz Complete	
	1	471 8210-12	Valve	Ventil	1,2	3/4" 220-240V 50Hz Complete	
	1	471 8210-11	Valve	Ventil	1,2	3/4" 208-230V 60Hz Complete	
	1	471 8210-22	Valve	Ventil	1,2	1" 220-240V 50Hz Complete	
	1	471 8210-21	Valve	Ventil	1,2	1" 208-230V 60Hz Complete	
	1	471 8210-32	Valve	Ventil	1,2	1 1/4" 50Hz Complete	
	1	471 8210-31	Valve	Ventil	1,2	1 1/4" 60Hz Complete	
	1	471 8210-52	Valve	Ventil	1,2	2", 50Hz Complete	
	1	471 8210-51	Valve	Ventil	1,2	2", 60Hz Complete	
	2	1	471 6657-15	•Coil	•Spole	1,2	50Hz 220-240V 50Hz
		1	471 6657-16	•Coil	•Spole	1,2	60Hz
		1	471 6657-17	•Coil	•Spole	1,2	115V 60Hz
	3	1	471 6657-18	•Repair kit	•Renoveringssats	1,2	1/2"
1		471 6657-19	•Repair kit	•Renoveringssats	1,2	3/4"	
1		471 6657-20	•Repair kit	•Renoveringssats	1,2	1"	
1		471 6657-21	•Repair kit	•Renoveringssats	1,2	1 1/4"	
4	1	471 6695-95	•Repair kit	•Renoveringssats	1,2	2"	
	5		••Plunger	••Ankare			
	6		••O-ring	••O-ring			
	7		••Spring	••Fjäder			
8			••Diaphragm	••Membran			
			••O-ring	••O-ring			



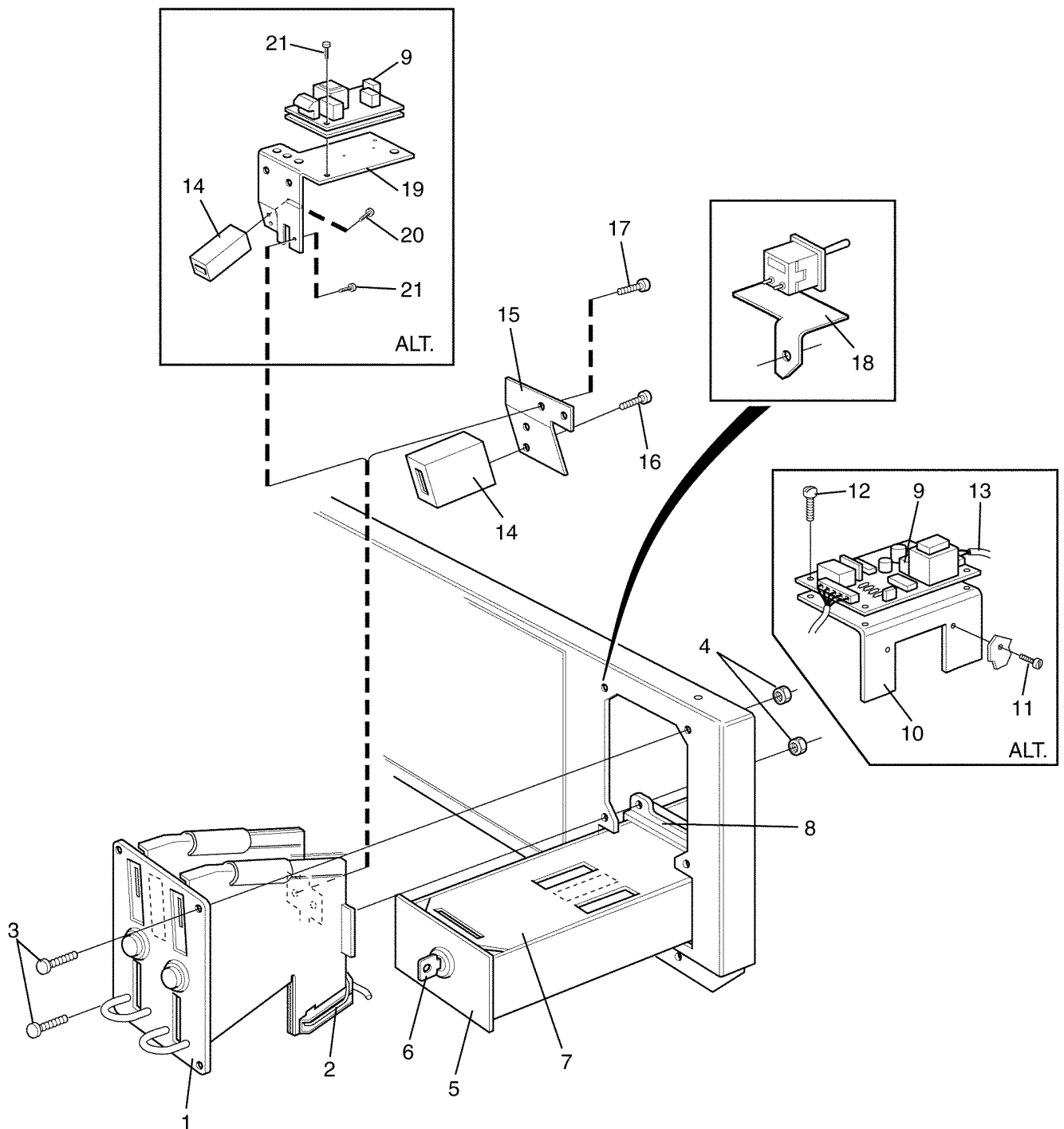
EX50S,HS2220E,WE225MP

Electronic coin meter

Elektronisk myntmätare

Illustration Issue Month Year
Illustration Utgåva Månad År
100666/2 10 11 2002

Item Pos.	Qua. Ant.	Art.No Art.nr	Description	Benämning	Info Info	Notes Anmärkning
1	1	471 8910-02	Coin meter	Myntmätare	3	1 COIN, 1 SEK/NKR
	1	471 8910-03	Coin meter	Myntmätare	3	1 COIN, 1 DKR
	1	471 8910-04	Coin meter	Myntmätare	3	1 COIN, 5 NKR
	1	471 8910-07	Coin meter	Myntmätare	3	1 COIN, 100 YEN
	1	471 8910-08	Coin meter	Myntmätare	3	1 TOKEN 22,5X1,5 MM
	1	471 8910-09	Coin meter	Myntmätare	3	1 TOKEN, 22,35X1,6 MM
	1	471 8910-11	Coin meter	Myntmätare	3	1 TOKEN, 26,0X2,1 MM
	1	471 8910-12	Coin meter	Myntmätare	3	1 COIN, 10 DKR
	1	471 8910-17	Coin meter	Myntmätare	3	1 TOKEN, 19,0X1,0 MM
	1	471 8910-20	Coin meter	Myntmätare	3	1 TOKEN, 25,7X1,6 MM
	1	471 8910-21	Coin meter	Myntmätare	3	1 TOKEN, 24,3X1,5 MM
	1	471 8910-26	Coin meter	Myntmätare	3	1 TOKEN, 24,4X1,7 MM
	1	471 8910-25	Coin meter	Myntmätare	3	1 TOKEN, 19,0X1,5 MM
	1	471 8910-89	Coin meter	Myntmätare	3	1 TOKEN, NYBORG 22,5X2,0
	1	471 8910-06	Coin meter	Myntmätare	3	1 BATAK P
	1	471 8910-27	Coin meter	Myntmätare	3	5 DKR
	1	471 8910-85	Coin meter	Myntmätare	3	5 DKR NEW
	1	471 8910-29	Coin meter	Myntmätare	3	50 CENT MALAYSIA
	1	471 8910-33	Coin meter	Myntmätare	3	1 RAND
	1	471 8910-35	Coin meter	Myntmätare	3	1 IKR
	1	471 8910-36	Coin meter	Myntmätare	3	5 SEK
	1	471 8910-37	Coin meter	Myntmätare	3	50 NEW CENT SINGAPORE
	1	471 8910-38	Coin meter	Myntmätare	3	25 CENT US
	1	471 8910-58	Coin meter	Myntmätare	3	1 DOLLAR MACAU
	1	471 8910-62	Coin meter	Myntmätare	3	1 WON KOREA
	1	471 8910-70	Coin meter	Myntmätare	3	25 CENT CDN
	1	471 8910-73	Coin meter	Myntmätare	3	5 DOLLAR HONG KONG
	1	471 8910-74	Coin meter	Myntmätare	3	10 DOLLAR TAIWAN
	1	471 8910-79	Coin meter	Myntmätare	3	10 DKR
	1	471 8910-10	Coin meter	Myntmätare	3	1 TOKEN, 24,3X1,5 MM
	1	471 8910-13	Coin meter	Myntmätare	3	1 TOKEN, 28,8X1,9 MM
	1	471 8910-14	Coin meter	Myntmätare	3	1 TOKEN, 23,5X1,7 MM
	1	471 8910-15	Coin meter	Myntmätare	3	1 TOKEN, 27,4X1,6 MM
	1	471 8910-16	Coin meter	Myntmätare	3	1 TOKEN, 25,8X1,7 MM
	1	471 8910-22	Coin meter	Myntmätare	3	1 TOKEN 22,0X1,5 MM
	1	471 8910-30	Coin meter	Myntmätare	3	1 TOKEN 21,0X1,85 MM
	1	471 8910-31	Coin meter	Myntmätare	3	1 TOKEN 23,1X1,1 MM EL-COIN
	1	471 8910-34	Coin meter	Myntmätare	3	1 TOKEN 24,3X1,5 MM SPORRONG
	1	471 8910-39	Coin meter	Myntmätare	3	1 TOKEN 23,7X1,6 MM
	1	471 8910-57	Coin meter	Myntmätare	3	1 TOKEN, MÜLLER, 25,2 MM
	1	471 8910-59	Coin meter	Myntmätare	3	1 TOKEN, MICROMATIC 24, 4X1,8
	1	471 8910-92	Coin meter	Myntmätare	3	1 TOKEN 25,0X1,85 MM EL-COIN 2KWH
	1	471 8910-93	Coin meter	Myntmätare	3	1 TOKEN 23,8X1,8 MM EL-COIN 1KWH
	1	471 8910-24	Coin meter	Myntmätare	3	1 TOKEN 25,0X1,8 MM SAB
	1	471 8910-41	Coin meter	Myntmätare	3	2 COINS, 10+25 CENT US
	1	471 8910-42	Coin meter	Myntmätare	3	2 COINS, 10+50 NEW PENCE GB
	1	471 8910-43	Coin meter	Myntmätare	3	2 COINS 1+5 DKR
	1	471 8910-86	Coin meter	Myntmätare	3	2 COINS 1+5 DKR NEW
	1	471 8910-44	Coin meter	Myntmätare	3	2 COINS, 1+5 NKR
	1	471 8910-45	Coin meter	Myntmätare	3	2 COINS, 1+10 NKR
	1	471 8910-48	Coin meter	Myntmätare	3	2 COINS, 25+25 CENT US
1	471 8910-49	Coin meter	Myntmätare	3	2 COINS 5+10 NKR	
1	471 8910-51	Coin meter	Myntmätare	3	2 COINS, 50+10 YEN	



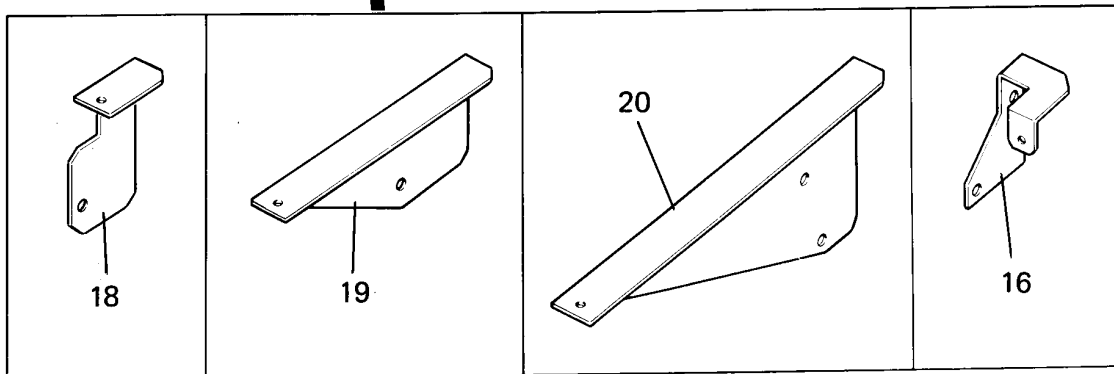
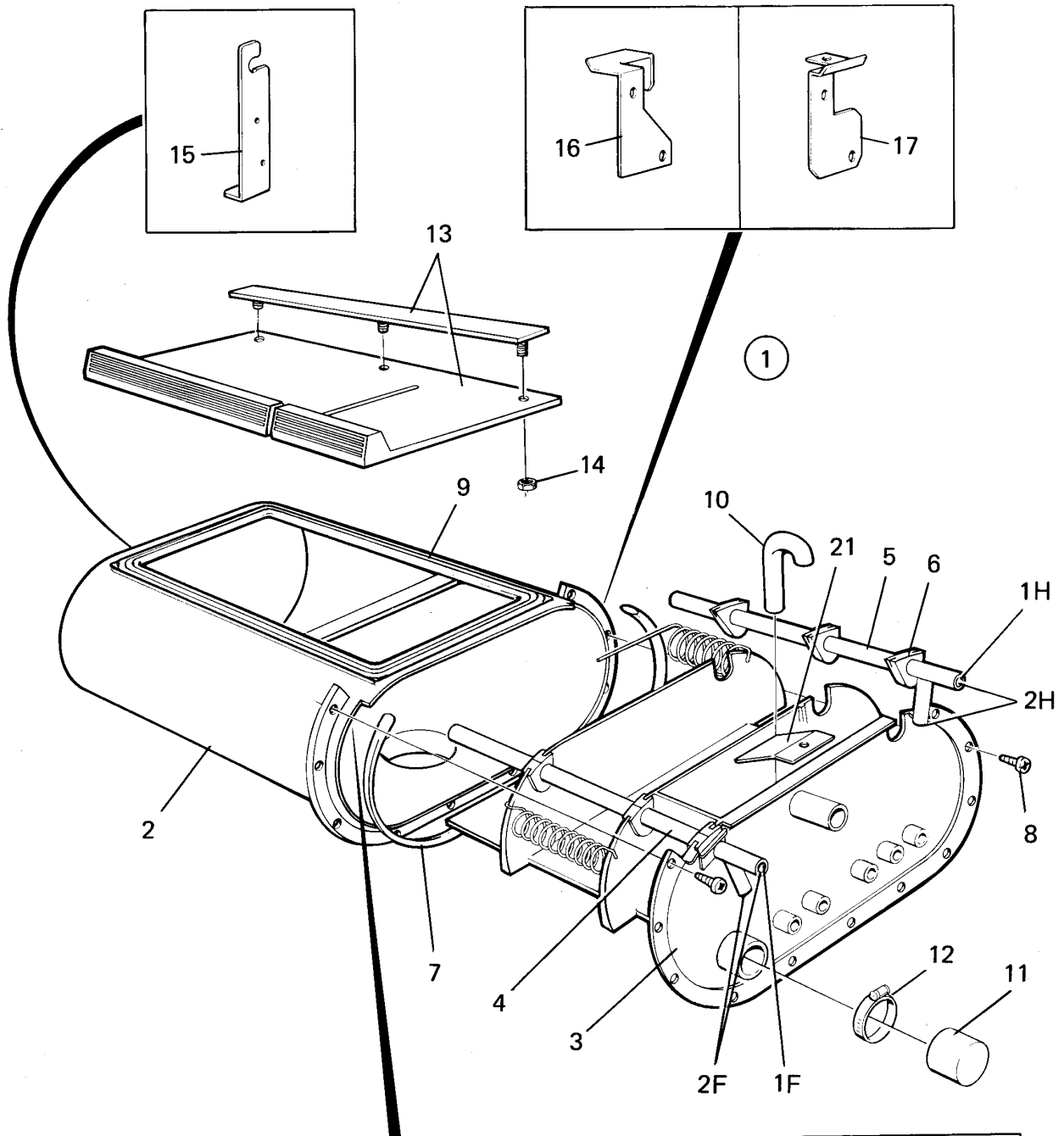
EX50S,HS2220E,WE225MP

Electronic coin meter

Elektronisk myntmätare

Illustration Issue Month Year
Illustration Utgåva Månad År
100666/2 10 11 2002

Item Pos.	Qua. Ant.	Art.No Art.nr	Description	Benämning	Info Info	Notes Anmärkning
	1	471 8910-54	Coin meter	Myntmätare	3	2 COINS, 1+5 SEK
	1	471 8910-55	Coin meter	Myntmätare	3	2 COINS, 10 PENCE+1£ GB
	1	471 8910-56	Coin meter	Myntmätare	3	2 COINS, 20+50 PENCE GB
	1	471 8910-66	Coin meter	Myntmätare	3	2 COINS, 20 PENCE+1£ GB
	1	471 8910-75	Coin meter	Myntmätare	3	50 PENCE+1£ GB
	1	471 8910-77	Coin meter	Myntmätare	3	2 COINS, 5+10 DKR
	1	471 8910-87	Coin meter	Myntmätare	3	2 COINS 5+10 DKR NEW
	1	471 8910-81	Coin meter	Myntmätare	3	2 COINS, 1+10 DKR
	1	471 8910-82	Coin meter	Myntmätare	3	2 COINS 5+10 NKR
	1	471 8910-84	Coin meter	Myntmätare	3	2 COINS, 100+500 YEN
	1	471 8919-01	Coin meter	Myntmätare	3	2 coins, 100+500 Yen
2	2	471 8910-91	Sensor	Avkännare	1,2	
3	4	731 8910-90	Screw	Skruv	3	
4	4	731 2312-01	Nut	Mutter	3	M4
5	1	471 4591-01	Coin box	Myntlåda	3	Complete
6	1	471 7829-01	Lock	Lås	1	
7	1	471 4592-01	Cover	Lock	3	
	1	471 4592-02	Cover	Lock	3	
8	1	471 4596-01	Frame	Ram	3	
9	1	471 8966-01	Counter	Räkneenhet	1	1 Coin
	1	471 8966-02	Counter	Räkneenhet	1	2 Coins
	1	471 8966-03	Counter	Räkneenhet	1	120V ET-1311, 1 COIN
	1	471 8966-04	Counter	Räkneenhet	1	120V ET-1312, 2 COINS
	1	471 8966-05	Counter	Räkneenhet	1	220V ET-1312/2, 2 COINS
	1	471 8966-06	Counter	Räkneenhet	1	120V ET-1312/2, 2 COINS
	1	471 8966-07	Counter	Räkneenhet	1	220V ET-1312/3, 2 COINS
10	1	471 4707-01	Bracket	Konsol	3	OLD DESIGN
11	2	725 2289-61	Screw	Skruv	3	M4X10
12	1	471 4878-26	Cable set	Ledningssats	3	1 COIN
	1	471 4878-24	Cable set	Ledningssats	3	2 COINS
13	1	471 4878-25	Connection	Anslutning	3	
14	1	472 7744-01	Coin counter	Mynträknare	1	220V
15	1	471 4763-01	Bracket	Fäste	3	
16	2	724 1218-01	Screw	Skruv	3	MRX 3X4
17	2	729 5225-01	Screw	Skruv	3	RXS B4X9,5
18	1	471 4766-01	Switch	Brytare	3	COMPL.GEN II
	1	471 4766-02	Switch	Brytare	3	COMPL.GEN III
19	1	438 0286-01	Bracket	Konsol	3	
20	2	724 1218-01	Screw	Skruv	3	MRX 3X4
21	3	724 1226-61	Screw	Skruv	3	M3X12



EX50S,FLE225FC,FLE225FC, Aqua Clean,HS2220E,HS2220MP,HS2220MP Aqua Clean,WE225MP

Detergent container

Illustration Issue Month Year

Illustration Utgåva Månad År

Tvättmedelsbehållare

101366/2 4 1 2003

Item Pos.	Qua. Ant.	Art.No Art.nr	Description	Benämning	Info Info	Notes Anmärkning
1	1	472 6001-58	Detergent container	Tvättmedelsbehållare	1,2	1F-1H
	1	472 6001-59	Detergent container	Tvättmedelsbehållare	1,2	1F-2H
	1	472 6001-60	Detergent container	Tvättmedelsbehållare	1,2	2F-1H
	1	472 6001-62	Detergent container	Tvättmedelsbehållare	1,2	1F-2H Without insertion USA
	1	472 6001-64	Detergent container	Tvättmedelsbehållare	1,2	1F-2H With insertion USA
	1	472 6001-68	Detergent container	Tvättmedelsbehållare	1,2	1F-2H With insertion CSA
	1	472 6001-73	Detergent container	Tvättmedelsbehållare	1,2	1F-1H With insertion USA
	1	472 6001-75	Detergent container	Tvättmedelsbehållare	1,2	2F-2H With insertion USA
	1	472 6001-76	Detergent container	Tvättmedelsbehållare	1,2	2F-2H With insertion CSA
	1	472 6001-77	Detergent container	Tvättmedelsbehållare	1,2	1F-1H With nipples
	1	472 6001-78	Detergent container	Tvättmedelsbehållare	1,2	1F-2H With nipples
	1	472 6001-79	Detergent container	Tvättmedelsbehållare	1,2	1F-2H With nipples USA
	1	472 6001-80	Detergent container	Tvättmedelsbehållare	1,2	1F-1H Japan Four pocket
	2	1	472 6002-05	•Shell	•Hölje	1
3	1	472 6003-01	•Box	•Låda	1	
	1	472 6003-04	•Box	•Låda	1	USA
4	1	472 6005-10	•Spray head	•Spridare	1	1F
	1	472 6005-11	•Spray head	•Spridare	1	2F
5	1	472 6005-01	•Spray head	•Spridare	1	1H
	1	472 6005-02	•Spray head	•Spridare	1	2H
6	6	472 6004-01	•Grommet	•Genomföring	3	
7	1	471 8163-01	•Gasket	•Packning	3	
8	7	471 8346-01	•Screw	•Skruv	1	
9	1	438 0460-01	•Gasket	•Packning	3	
10	1	472 6006-01	•Siphon	•Hävert	1,2	
11	1	471 8644-03	Hood	Huv	3	
13	1	472 9902-59	Cover	Lock	1,2	
14	3	731 2314-42	•Nut	•Mutter	3	M4
15	1	438 5326-01	Bracket	Fäste	3	
16	2	438 4139-01	Bracket	Fäste	3	
17	1	438 0150-01	Bracket	Fäste	3	W/FL75-230
18	1	438 0151-01	Bracket	Fäste	3	W75-100,WE66-106
19	1	438 0216-01	Bracket	Fäste	3	W/FL160
20	1	438 0321-01	Bracket	Fäste	3	W/FL230
21	1	472 6756-01	Plate	Plåt	3	

Numerical index/Nummerregister

Art.No/Art.nr	Page/Sida	Art.No/Art.nr	Page/Sida	Art.No/Art.nr	Page/Sida	Art.No/Art.nr	Page/Sida
432 0142-01	31	432 0642-01	11	432 0806-34	31	471 2937-02	39
432 0149-01	25	432 0644-01	11	432 2164-06	11	471 4589-01	27
432 0150-01	25	432 0645-01	21	432 3087-11	29	471 4590-01	27
432 0469-01	55	432 0646-01	21	438 0028-01	37	471 4591-01	27
432 0522-01	9	432 0716-01	7	438 0033-01	19	471 4591-01	63
432 0538-01	25	432 0716-02	7	438 0083-01	35	471 4592-01	63
432 0541-01	55	432 0716-03	7	438 0084-03	35	471 4592-02	63
432 0550-01	41	432 0717-01	21	438 0127-01	35	471 4596-01	27
432 0550-01	43	432 0719-01	11	438 0150-01	11	471 4596-01	63
432 0550-04	13	432 0719-02	11	438 0150-01	65	471 4651-24	35
432 0550-05	33	432 0719-03	11	438 0151-01	11	471 4670-15	53
432 0550-06	33	432 0719-04	11	438 0151-01	65	471 4671-48	19
432 0550-07	33	432 0720-01	11	438 0216-01	65	471 4672-08	51
432 0550-08	33	432 0720-02	11	438 0244-01	35	471 4707-01	63
432 0550-09	55	432 0720-03	11	438 0260-01	23	471 4763-01	63
432 0550-10	31	432 0723-01	35	438 0286-01	63	471 4766-01	63
432 0550-11	25	432 0724-01	11	438 0299-01	31	471 4766-02	63
432 0550-12	31	432 0725-01	11	438 0299-10	23	471 4792-01	57
432 0550-13	31	432 0725-02	11	438 0321-01	65	471 4876-06	27
432 0550-15	29	432 0725-03	11	438 0333-01	23	471 4878-24	63
432 0550-16	29	432 0725-04	11	438 0422-01	19	471 4878-25	63
432 0550-20	29	432 0726-03	11	438 0460-01	65	471 4878-26	63
432 0550-22	47	432 0726-04	11	438 4117-01	19	471 5103-04	35
432 0550-35	43	432 0727-01	11	438 4123-02	11	471 6657-15	59
432 0550-36	43	432 0727-02	11	438 4125-01	51	471 6657-16	59
432 0550-40	21	432 0727-03	11	438 4126-02	19	471 6657-17	59
432 0550-43	33	432 0729-02	17	438 4127-02	19	471 6657-18	59
432 0550-46	21	432 0730-01	7	438 4128-01	19	471 6657-19	59
432 0550-49	9	432 0731-01	7	438 4130-01	19	471 6657-20	59
432 0550-57	43	432 0732-01	49	438 4132-02	19	471 6657-21	59
432 0550-58	43	432 0735-01	7	438 4134-02	35	471 6664-60	35
432 0550-60	41	432 0739-01	55	438 4139-01	65	471 6695-95	59
432 0550-61	49	432 0740-01	55	438 4149-01	47	471 6696-32	57
432 0550-62	41	432 0806-01	31	438 4175-05	17	471 6696-33	57
432 0550-63	49	432 0806-02	31	438 4175-06	17	471 6696-37	57
432 0550-64	49	432 0806-03	31	438 4219-01	19	471 6696-71	57
432 0550-66	25	432 0806-04	31	438 4326-11	19	471 7182-22	41
432 0550-75	39	432 0806-05	31	438 4326-12	19	471 7182-22	43
432 0550-76	39	432 0806-06	31	438 4368-01	11	471 7182-23	41
432 0550-77	39	432 0806-07	31	438 4369-01	11	471 7182-23	43
432 0550-78	39	432 0806-08	31	438 5032-02	53	471 7674-01	19
432 0550-79	39	432 0806-09	31	438 5154-01	23	471 7694-01	23
432 0550-81	27	432 0806-10	31	438 5154-01	25	471 7694-02	23
432 0550-87	25	432 0806-11	31	438 5326-01	65	471 7694-03	23
432 0550-91	41	432 0806-12	31	438 5335-01	11	471 7694-04	23
432 0550-95	43	432 0806-13	31	438 5341-01	23	471 7694-05	23
432 0550-97	55	432 0806-14	31	438 6026-06	35	471 7694-46	25
432 0550-98	43	432 0806-15	31	438 8154-01	55	471 7694-49	23
432 0555-01	47	432 0806-16	31	438 9555-01	29	471 7711-04	21
432 0621-01	23	432 0806-17	31	438 9555-01	31	471 7713-01	23
432 0621-02	25	432 0806-18	31	438 9636-02	41	471 7713-02	25
432 0629-01	39	432 0806-19	31	438 9636-02	43	471 7713-03	23
432 0630-01	11	432 0806-20	31	438 9636-03	41	471 7713-04	25
432 0631-01	41	432 0806-21	31	438 9636-03	43	471 7713-05	25
432 0631-01	43	432 0806-22	31	438 9636-72	41	471 7713-06	25
432 0632-01	31	432 0806-23	31	438 9636-72	43	471 7803-21	45
432 0632-02	31	432 0806-24	31	438 9636-73	41	471 7804-01	37
432 0633-01	31	432 0806-25	31	438 9636-73	43	471 7807-01	7
432 0635-01	29	432 0806-26	31	471 2416-83	7	471 7814-02	19
432 0636-01	29	432 0806-27	31	471 2425-28	35	471 7816-04	15
432 0637-01	47	432 0806-28	31	471 2431-28	19	471 7817-01	27
432 0638-01	47	432 0806-29	31	471 2431-29	19	471 7829-01	63
432 0639-01	41	432 0806-30	31	471 2433-14	35	471 7859-11	41
432 0639-01	43	432 0806-31	31	471 2453-46	49	471 7859-11	43
432 0641-02	21	432 0806-32	31	471 2841-01	53	471 7859-16	41
432 0641-03	55	432 0806-33	31	471 2937-01	39	471 7859-16	43

Numerical index/Nummerregister

Art.No/Art.nr	Page/Sida	Art.No/Art.nr	Page/Sida	Art.No/Art.nr	Page/Sida	Art.No/Art.nr	Page/Sida
471 7864-01	7	471 8341-24	47	471 8859-06	29	471 8910-91	63
471 7864-01	19	471 8341-29	37	471 8859-06	31	471 8910-92	61
471 7958-01	29	471 8341-44	11	471 8910-02	61	471 8910-93	61
471 7958-01	31	471 8341-46	11	471 8910-03	61	471 8919-01	63
471 7958-02	31	471 8341-50	19	471 8910-04	61	471 8966-01	63
471 7961-02	19	471 8341-85	19	471 8910-06	61	471 8966-02	63
471 7967-01	39	471 8342-07	41	471 8910-07	61	471 8966-03	63
471 8126-14	49	471 8342-07	43	471 8910-08	61	471 8966-04	63
471 8139-08	17	471 8342-11	41	471 8910-09	61	471 8966-05	63
471 8143-01	51	471 8342-11	43	471 8910-10	61	471 8966-06	63
471 8149-01	11	471 8342-11	45	471 8910-11	61	471 8966-07	63
471 8149-11	11	471 8342-11	47	471 8910-12	61	471 8988-04	23
471 8153-00	25	471 8342-13	29	471 8910-13	61	471 8993-01	31
471 8153-06	7	471 8342-13	49	471 8910-14	61	471 8995-11	31
471 8159-06	9	471 8342-44	45	471 8910-15	61	471 8995-12	31
471 8159-06	39	471 8343-22	7	471 8910-16	61	471 8995-13	31
471 8163-01	65	471 8344-13	53	471 8910-17	61	471 8997-03	25
471 8164-01	53	471 8344-26	7	471 8910-20	61	471 9004-46	49
471 8192-01	7	471 8344-33	11	471 8910-21	61	471 9004-75	23
471 8196-01	11	471 8346-01	65	471 8910-22	61	471 9004-75	25
471 8197-02	25	471 8356-03	15	471 8910-24	61	471 9202-32	49
471 8210-01	59	471 8356-05	21	471 8910-25	61	471 9529-10	29
471 8210-02	59	471 8502-10	21	471 8910-26	61	471 9529-10	31
471 8210-03	59	471 8519-10	17	471 8910-27	61	471 9550-14	11
471 8210-11	59	471 8551-03	17	471 8910-29	61	471 9550-19	13
471 8210-12	59	471 8576-02	15	471 8910-30	61	471 9558-11	29
471 8210-21	59	471 8619-03	7	471 8910-31	61	471 9573-02	41
471 8210-22	59	471 8623-01	9	471 8910-33	61	471 9573-02	43
471 8210-31	59	471 8623-01	39	471 8910-34	61	471 9578-50	21
471 8210-32	59	471 8623-01	53	471 8910-35	61	471 9608-01	9
471 8210-51	59	471 8628-51	17	471 8910-36	61	471 9628-03	25
471 8210-52	59	471 8636-20	51	471 8910-37	61	471 9628-22	25
471 8232-10	49	471 8644-03	65	471 8910-38	61	471 9628-32	25
471 8234-92	57	471 8651-02	17	471 8910-39	61	471 9628-33	25
471 8234-94	57	471 8665-03	53	471 8910-41	61	471 9628-90	25
471 8234-95	57	471 8688-03	17	471 8910-42	61	471 9628-99	25
471 8234-96	57	471 8688-14	51	471 8910-43	61	471 9649-02	41
471 8234-97	57	471 8690-04	53	471 8910-44	61	471 9649-02	43
471 8234-98	57	471 8690-21	51	471 8910-45	61	471 9649-05	41
471 8236-01	57	471 8690-28	51	471 8910-48	61	471 9649-05	43
471 8236-02	57	471 8690-31	49	471 8910-49	61	471 9649-12	41
471 8236-03	57	471 8690-32	49	471 8910-51	61	471 9649-12	43
471 8236-04	57	471 8690-72	17	471 8910-54	63	471 9654-03	47
471 8236-05	57	471 8693-11	39	471 8910-55	63	471 9678-11	41
471 8236-06	57	471 8693-21	39	471 8910-56	63	471 9678-11	43
471 8236-07	57	471 8750-11	41	471 8910-57	61	471 9678-13	41
471 8236-08	57	471 8750-11	43	471 8910-58	61	471 9678-13	43
471 8236-09	57	471 8750-22	33	471 8910-59	61	471 9678-14	41
471 8236-12	57	471 8756-51	41	471 8910-62	61	471 9678-14	43
471 8236-13	57	471 8756-51	43	471 8910-66	63	471 9678-21	41
471 8236-14	57	471 8777-02	41	471 8910-70	61	471 9678-21	43
471 8236-15	57	471 8777-02	43	471 8910-73	61	471 9678-23	41
471 8238-01	53	471 8781-01	41	471 8910-74	61	471 9678-23	43
471 8252-05	7	471 8781-01	43	471 8910-75	63	471 9678-24	41
471 8276-02	17	471 8781-02	41	471 8910-77	63	471 9678-24	43
471 8279-03	49	471 8781-02	43	471 8910-79	61	471 9678-41	41
471 8279-08	49	471 8781-03	41	471 8910-81	63	471 9678-41	43
471 8308-08	15	471 8781-03	43	471 8910-82	63	471 9678-43	41
471 8311-00	17	471 8781-11	41	471 8910-84	63	471 9678-43	43
471 8320-01	17	471 8781-11	43	471 8910-85	61	471 9678-44	41
471 8320-05	17	471 8792-01	31	471 8910-86	61	471 9678-44	43
471 8340-12	37	471 8793-01	25	471 8910-87	63	471 9678-51	41
471 8340-26	23	471 8822-01	55	471 8910-89	61	471 9678-51	43
471 8340-26	25	471 8822-11	55	471 8910-90	27	471 9678-53	41
471 8341-17	47	471 8822-21	55	471 8910-90	63	471 9678-53	43
471 8341-22	37	471 8822-23	55	471 8910-91	27	471 9678-54	41

Numerical index/Nummerregister

Art.No/Art.nr	Page/Sida	Art.No/Art.nr	Page/Sida	Art.No/Art.nr	Page/Sida	Art.No/Art.nr	Page/Sida
471 9678-54	43	472 6458-01	15	724 1226-61	63	740 4811-03	51
471 9678-94	41	472 6458-02	7	724 2459-51	17	740 4822-03	17
471 9678-94	43	472 6458-02	15	725 2289-61	63	741 1115-20	17
471 9727-01	37	472 6459-01	15	725 2331-51	27	741 3113-21	49
471 9741-03	21	472 6464-01	35	725 2366-61	7	741 4114-20	39
471 9771-01	33	472 6498-02	41	725 2453-51	7	762 1116-10	51
471 9773-01	33	472 6502-02	9	725 2453-51	21	762 3131-01	37
471 9774-02	33	472 6502-02	53	725 2473-51	7	762 3211-01	29
471 9811-12	7	472 6529-06	17	725 2491-51	17	762 3211-01	31
471 9811-15	7	472 6532-01	17	725 2501-51	7	762 3231-01	29
471 9811-18	7	472 6537-02	17	725 2505-51	7	762 3231-01	31
471 9811-19	7	472 6542-02	17	725 2511-51	7	762 3251-01	31
471 9811-20	7	472 6543-01	17	725 2511-51	21	877 5211-08	39
471 9883-02	51	472 6547-01	17	725 2540-51	17	877 5211-08	53
471 9884-01	51	472 6560-01	7	725 2558-51	55	877 5252-01	39
472 5763-01	23	472 6561-01	35	729 5225-01	63		
472 5763-02	23	472 6563-01	17	729 9342-61	49		
472 5763-03	23	472 6566-01	17	731 2310-01	27		
472 5763-04	23	472 6575-05	7	731 2312-01	27		
472 5763-05	23	472 6580-02	7	731 2312-01	63		
472 5763-06	23	472 6580-02	15	731 2314-01	27		
472 5775-01	25	472 6581-03	7	731 2314-42	65		
472 5778-01	23	472 6582-01	17	731 2318-01	15		
472 6001-58	65	472 6592-02	15	732 2112-01	23		
472 6001-59	65	472 6729-01	17	732 2112-01	47		
472 6001-60	65	472 6756-01	65	732 2114-92	7		
472 6001-62	65	472 6761-01	39	732 2118-01	7		
472 6001-64	65	472 7744-01	63	732 2118-01	17		
472 6001-68	65	472 8754-12	35	732 2120-01	7		
472 6001-73	65	472 8754-12	37	732 2120-01	9		
472 6001-75	65	472 8772-01	37	732 2120-01	15		
472 6001-76	65	472 8895-01	27	732 2120-01	21		
472 6001-77	65	472 9142-11	7	732 2122-01	21		
472 6001-78	65	472 9142-12	7	732 2122-01	55		
472 6001-79	65	472 9142-13	7	732 3116-14	19		
472 6001-80	65	472 9146-03	11	733 7821-41	7		
472 6002-05	65	472 9146-04	11	734 1146-09	7		
472 6003-01	65	472 9146-07	11	734 1153-09	19		
472 6003-04	65	472 9146-08	11	734 1164-01	7		
472 6004-01	65	472 9146-11	11	734 1164-01	17		
472 6005-01	65	472 9146-12	11	734 1164-01	21		
472 6005-02	65	472 9148-01	11	734 1173-01	7		
472 6005-10	65	472 9148-02	11	734 1173-01	15		
472 6005-11	65	472 9148-03	11	734 1178-01	17		
472 6006-01	65	472 9148-04	11	734 1178-01	21		
472 6008-01	7	472 9148-05	11	735 2136-01	23		
472 6008-02	9	472 9148-06	11	735 2146-01	37		
472 6008-02	15	472 9159-05	11	735 3126-01	19		
472 6009-02	15	472 9159-06	11	735 3154-40	17		
472 6011-00	37	472 9159-07	11	735 3173-10	17		
472 6012-00	37	472 9159-08	11	736 2119-11	35		
472 6014-00	35	472 9159-15	11	736 2816-51	39		
472 6015-00	37	472 9159-16	11	736 2816-51	53		
472 6016-00	37	472 9187-01	45	736 2825-51	9		
472 6017-00	37	472 9768-01	17	736 2825-51	35		
472 6024-00	35	472 9901-22	17	736 2825-51	39		
472 6025-00	35	472 9901-33	45	736 2825-51	53		
472 6083-00	7	472 9902-59	65	736 2831-51	35		
472 6150-01	7	472 9904-59	11	736 2837-51	35		
472 6173-01	49	472 9904-60	11	736 2840-51	35		
472 6195-01	37	472 9904-61	11	736 2840-51	53		
472 6345-01	53	472 9904-62	11	736 2846-51	35		
472 6429-02	17	472 9913-22	7	736 2849-51	37		
472 6457-01	7	721 1252-35	37	740 4209-00	17		
472 6457-02	7	724 1218-01	63	740 4209-00	51		
472 6458-01	7	724 1226-01	27	740 4811-03	17		

Numerical index/Nummerregister

Art.No/Art.nr	Page/Sida	Art.No/Art.nr	Page/Sida	Art.No/Art.nr	Page/Sida	Art.No/Art.nr	Page/Sida



ELECTROLUX LAUNDRY SYSTEMS

ELECTROLUX LAUNDRY SYSTEMS SWEDEN AB
341 80 Ljungby, Sweden. Telephone +46 372 661 00. Telefax +46 372 133 90
Internet: www.electrolux-wascator.com E-mail: els.info@electrolux.se